

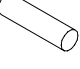



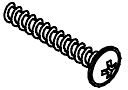
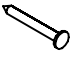


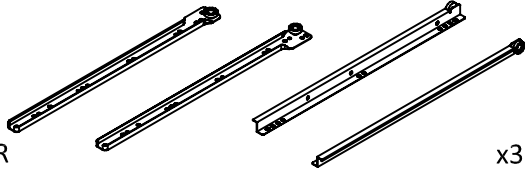


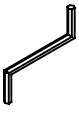
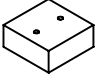

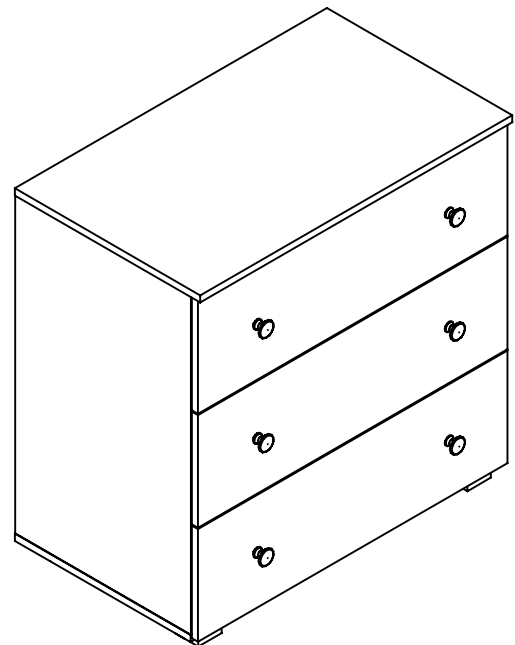
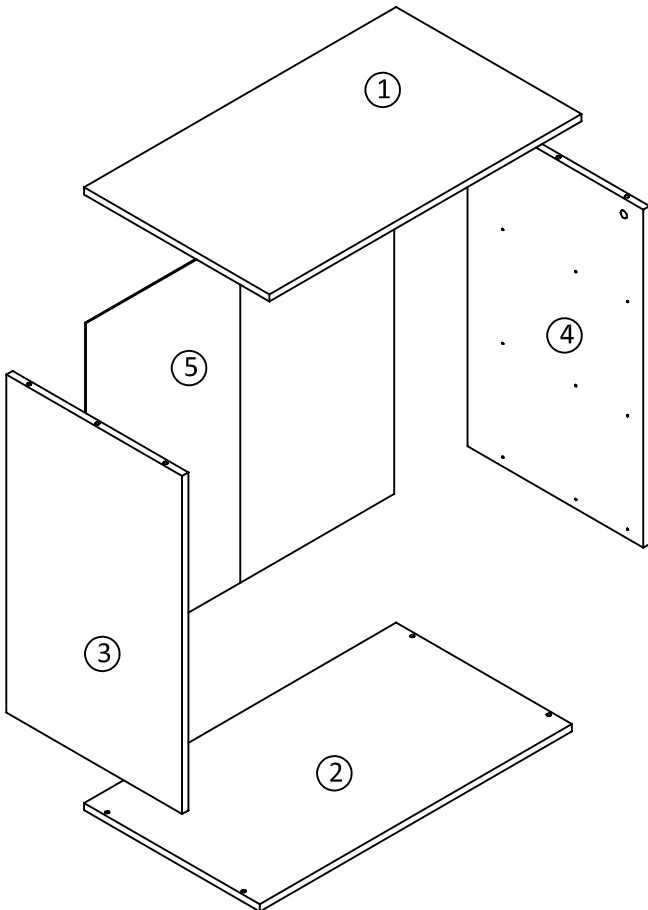
 MT x16	 M x16	 7x50 WK5 x16	 8x30 D8 x2	 3.5x13 W3513 x18	 3.5x16 W3516 x19	 U1 x6
 WU x6	 A02 x30	 A06 x1	 A05 x1	 PR x3		

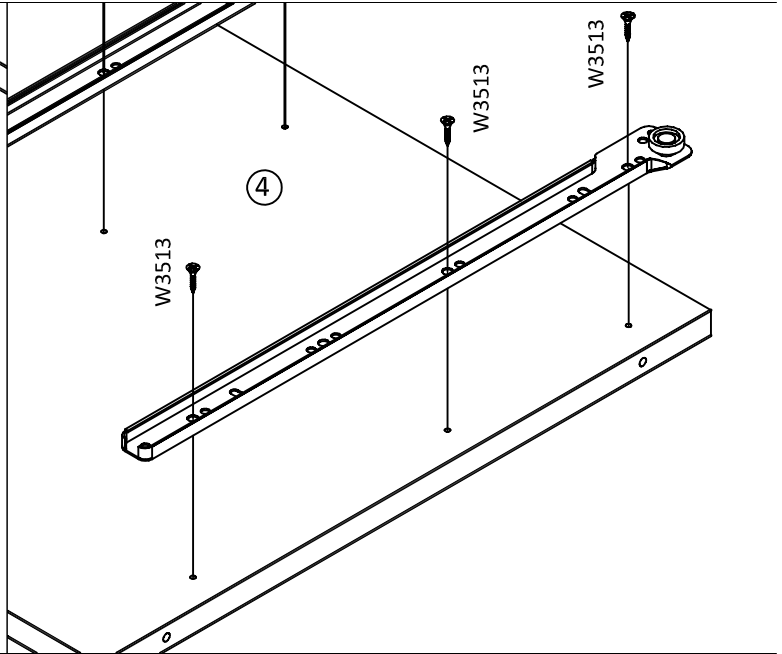
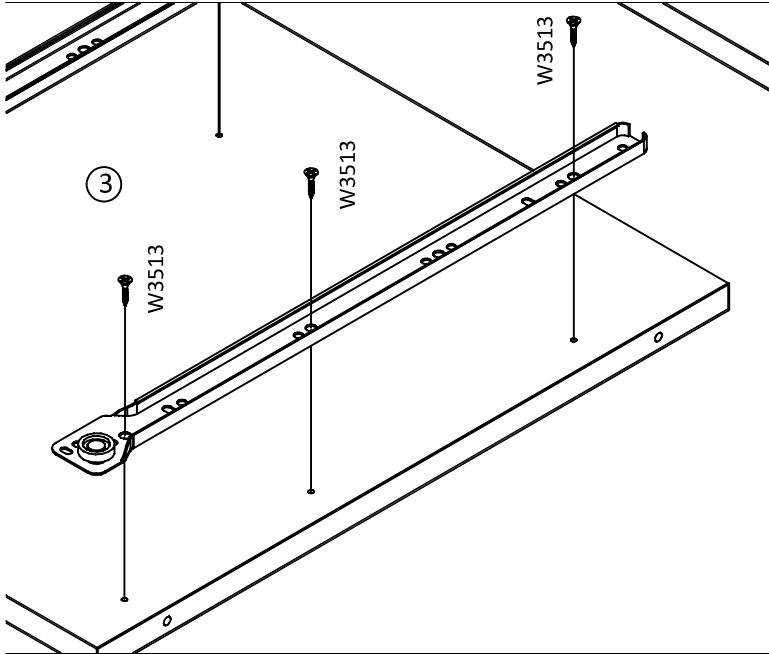
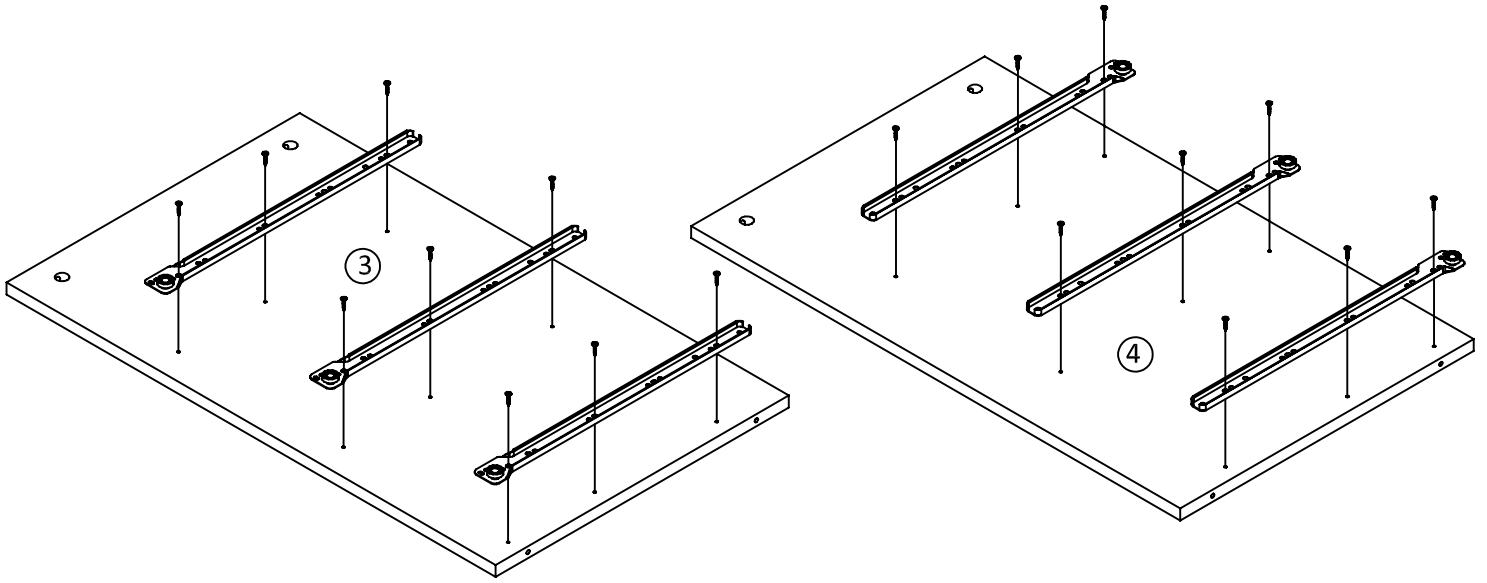
 S1 x4	 3.5x25 WS x8
--------------------------------------------------------------------------------------------	------------------------------------------------------------------------------------------------------

 A01 x1

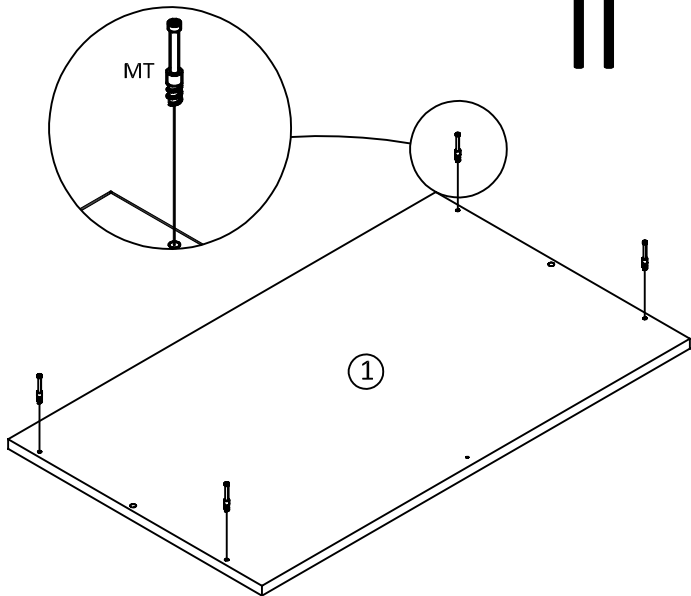
 S2 x4	 3.5x30 WS x8
----------------------------------------------------------------------------------------------	--------------------------------------------------------------------------------------------------------



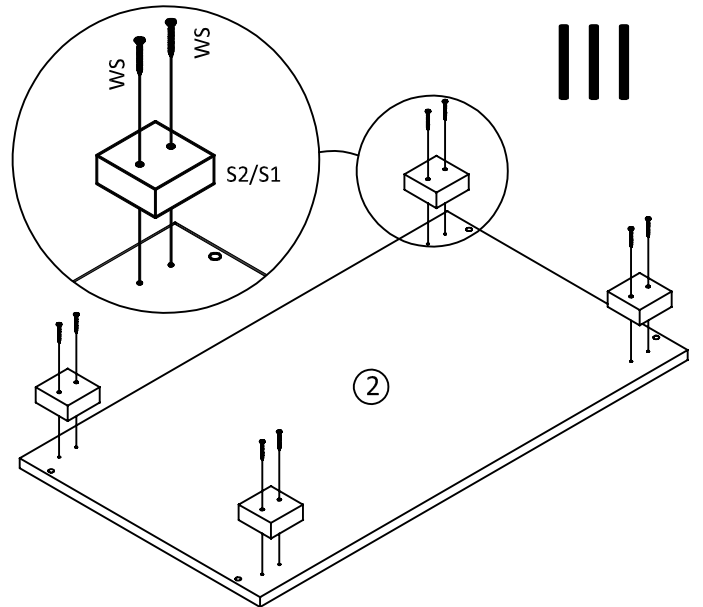
I



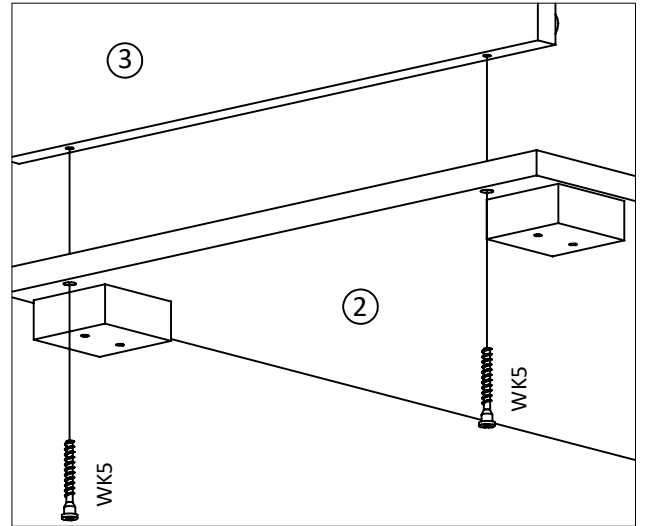
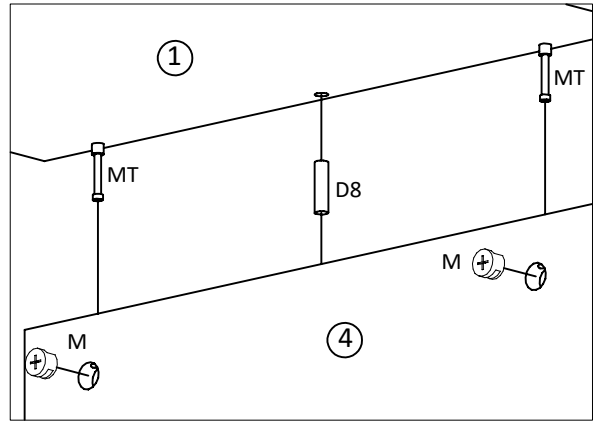
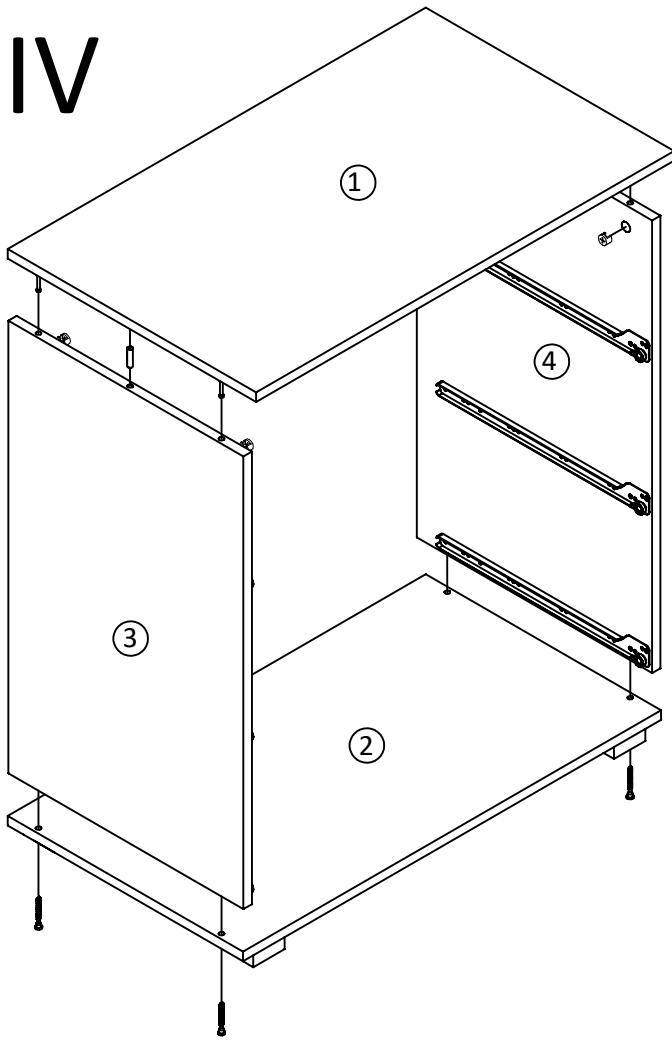
II



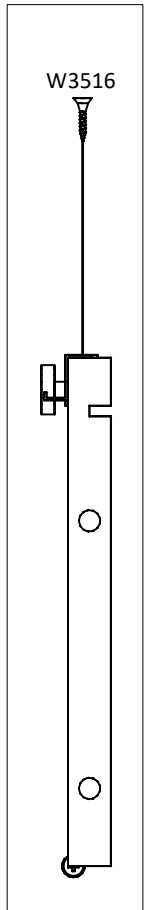
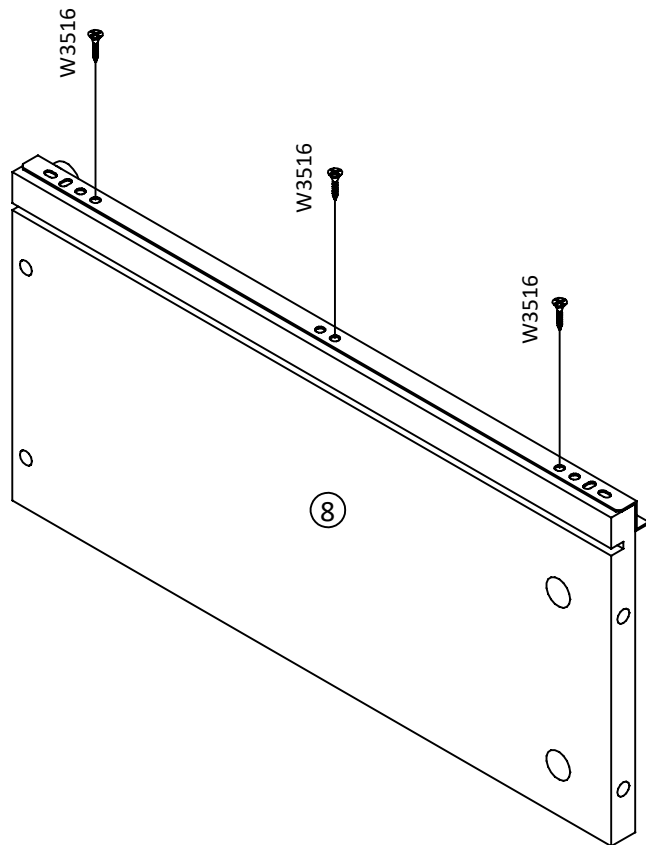
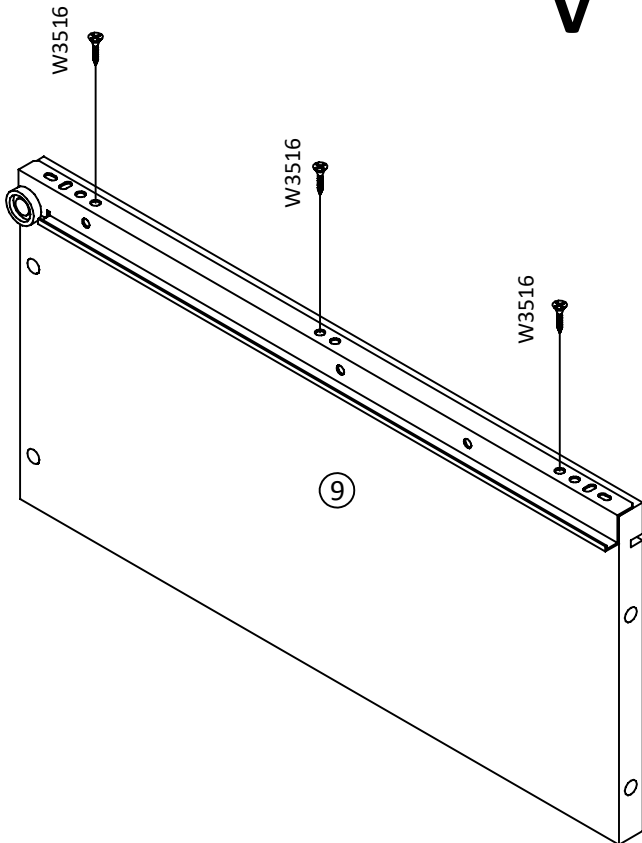
III



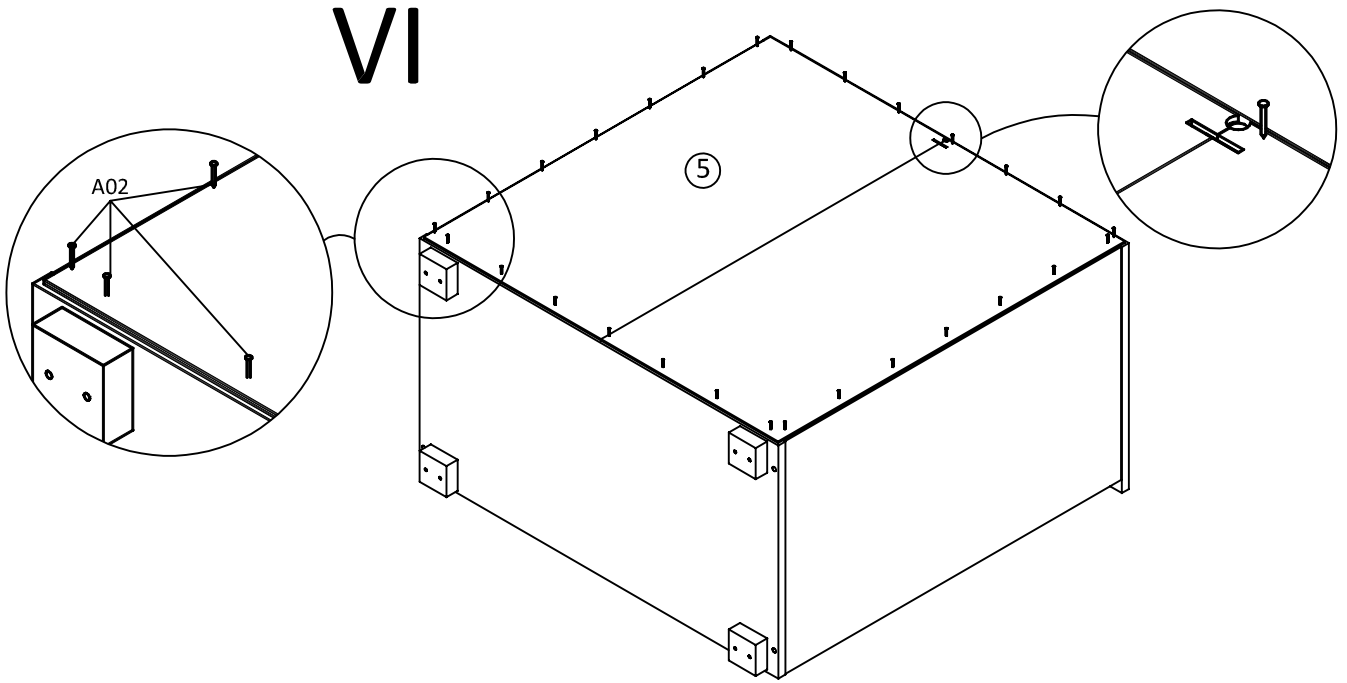
IV



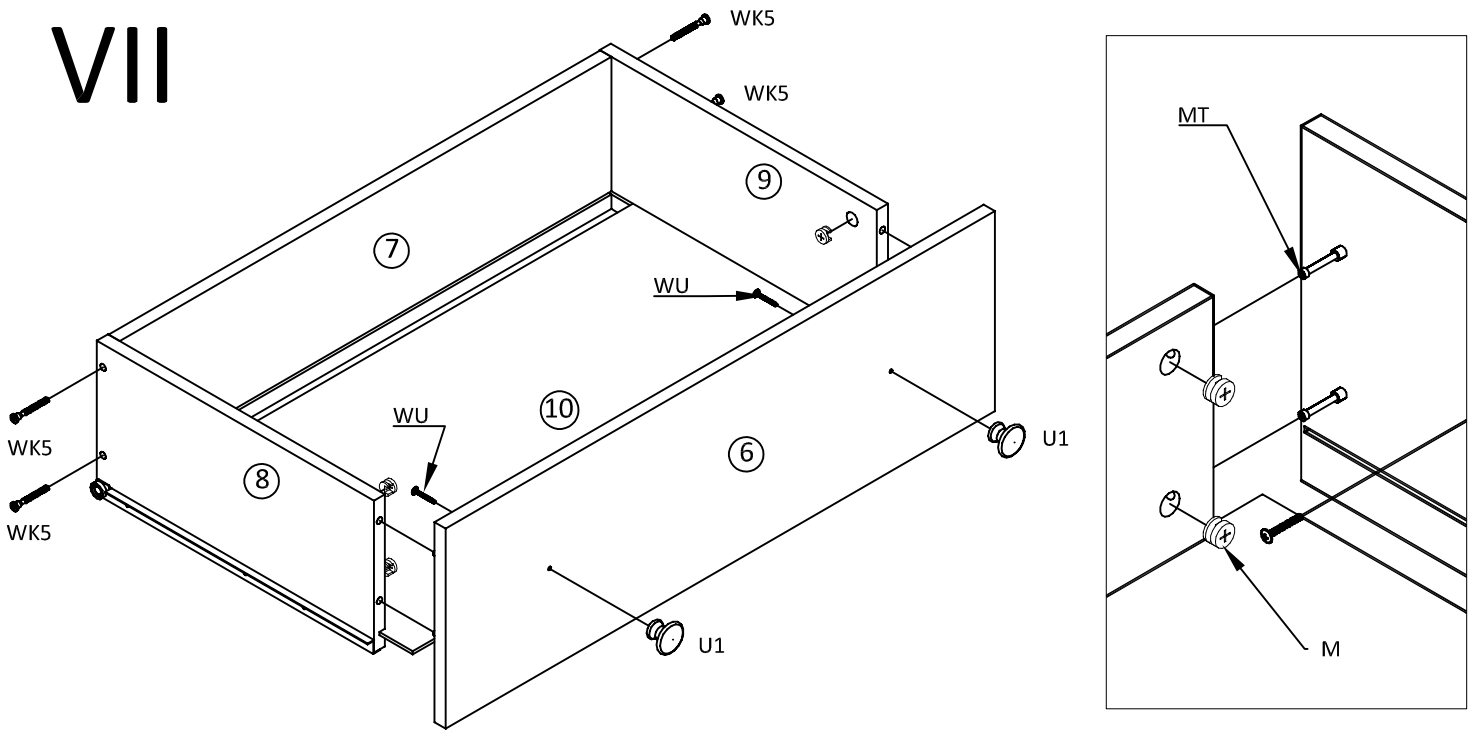
V



VI



VII



VIII

