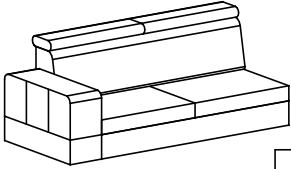
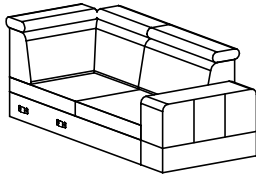


A



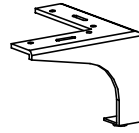
x1

B



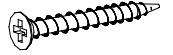
x1

C



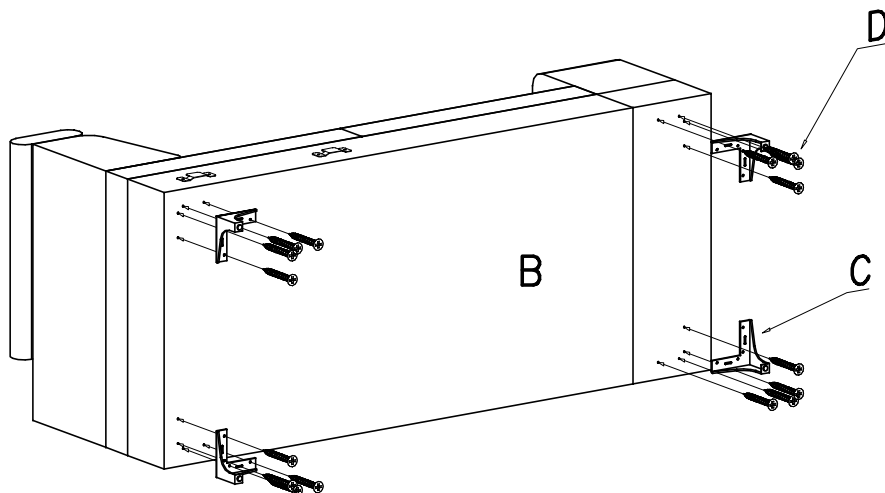
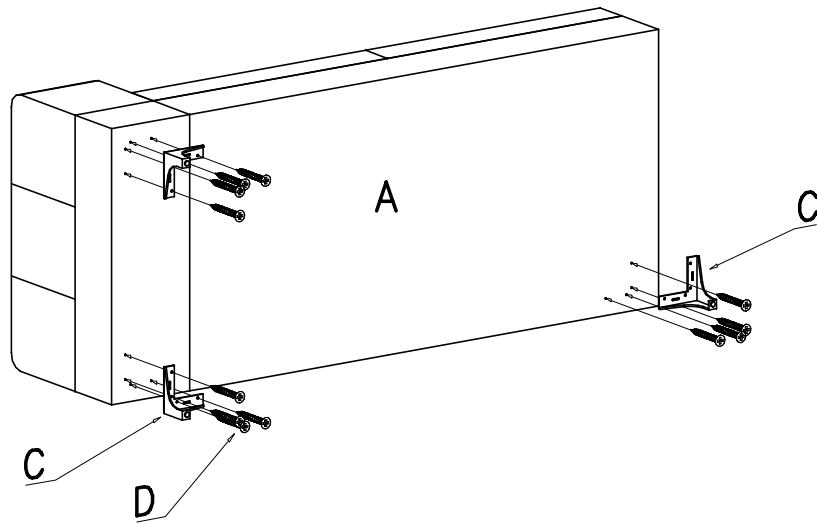
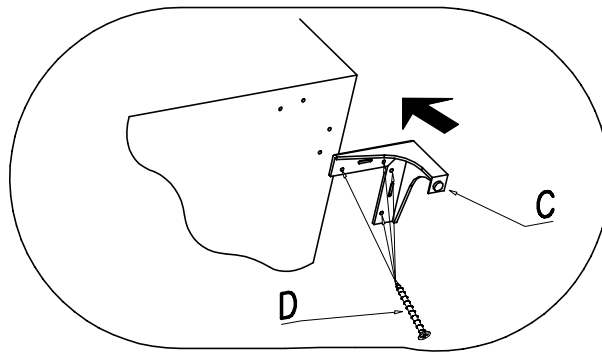
x7

D



x28

1



2

