



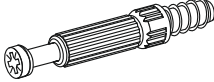

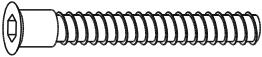



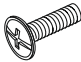
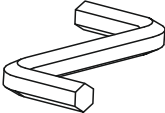

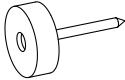
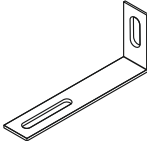

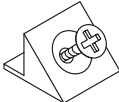
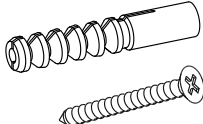
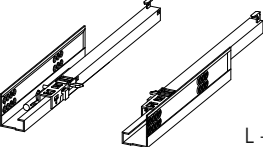
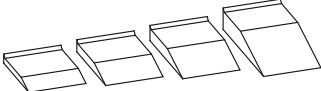
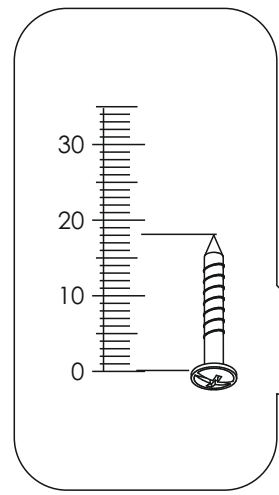
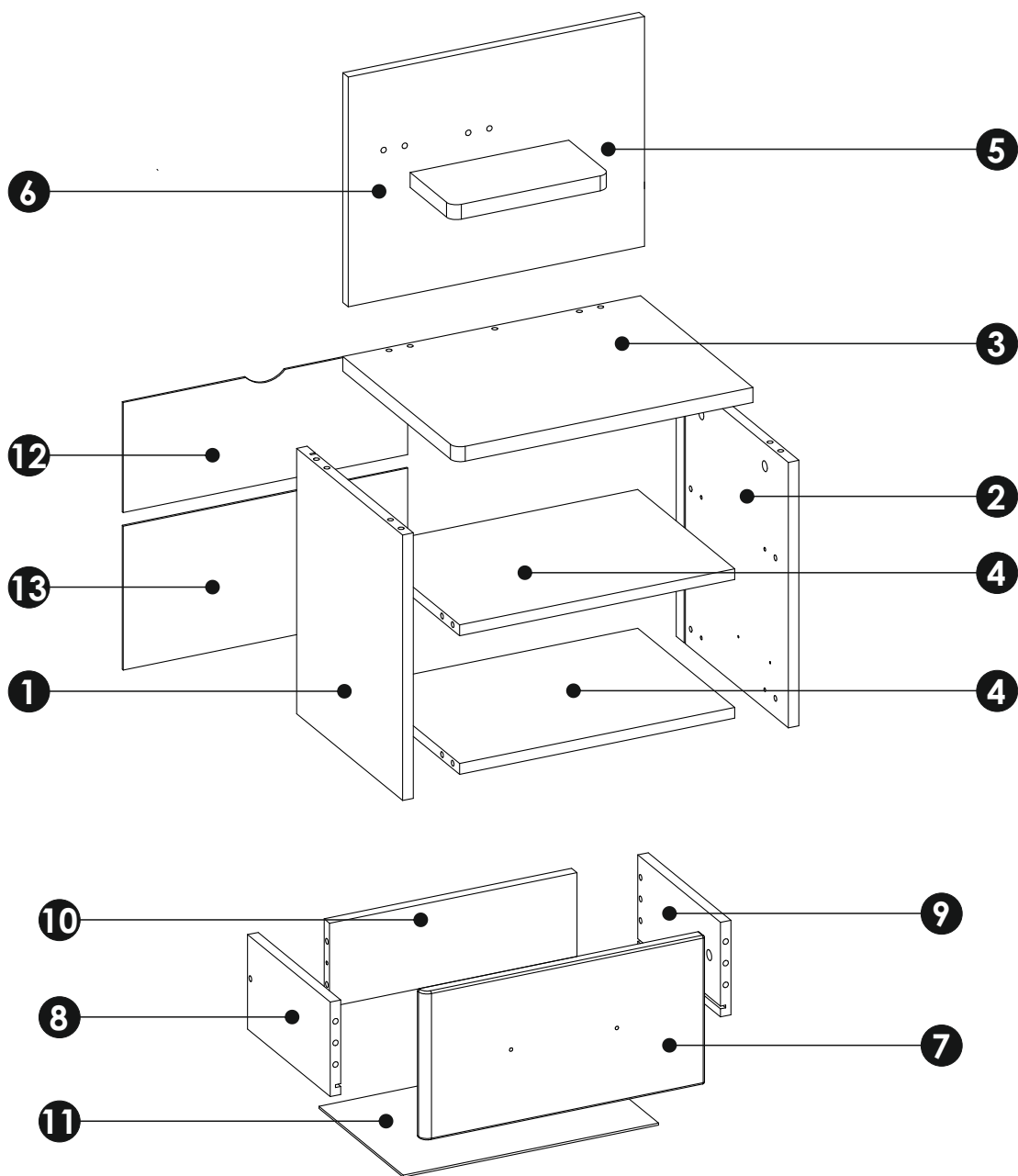
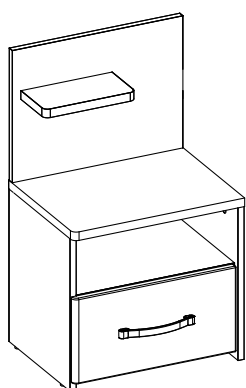


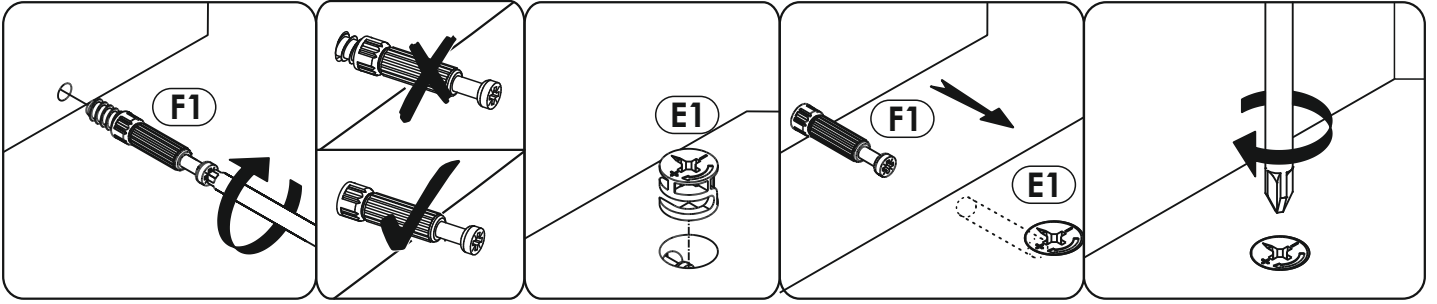
A1 $\varnothing 8 \times 35 \text{ mm}$ x25 	C2 $5 \times 13 \text{ mm}$ x4 	E0  x14
E1 $15 \times 12 \text{ mm}$ x14 	F1 $6 \times 34 \text{ mm}$ x14 	G0  x6
G1 $\varnothing 7 \times 50 \text{ mm}$ x4 	G2 $\varnothing 7 \times 60 \text{ mm}$ x2 	H1 L-197 mm x1 
I2 $4 \times 16 \text{ mm}$ x1 	J3 $4 \times 22 \text{ mm}$ x2 	M  x1
N1 $3 \times 16 \text{ mm}$ x10 	O2  x4	Q9  x1
R1  x2	R4  x6	S13  x1
T6  x1 L - 250mm	Z  x1	



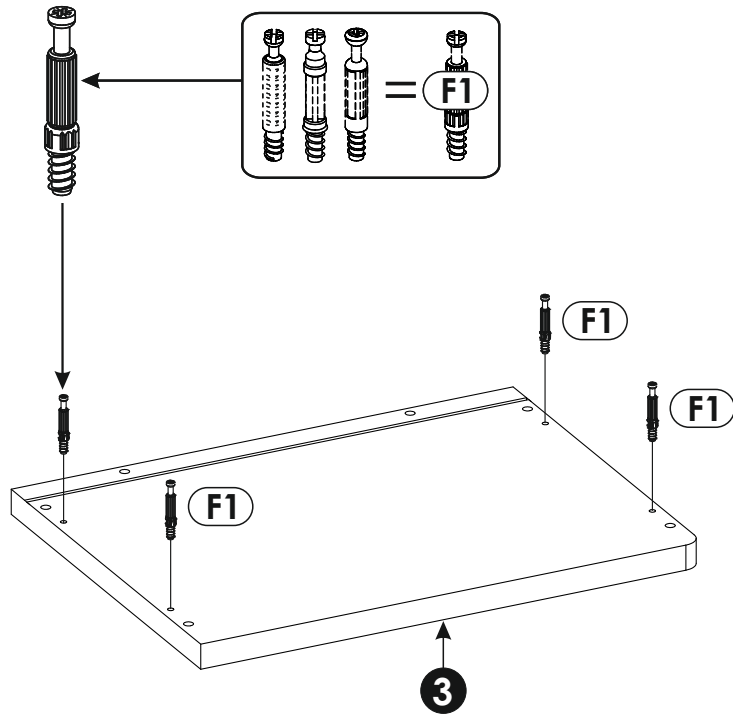


1	393	321	16	x1	1/1
2	393	339	16	x1	1/1
3	450	340	22	x1	1/1
4	416	293	16	x2	1/1
5	240	125	22	x1	1/1
6	448	340	16	x1	1/1
7	427	220	16	x1	1/1

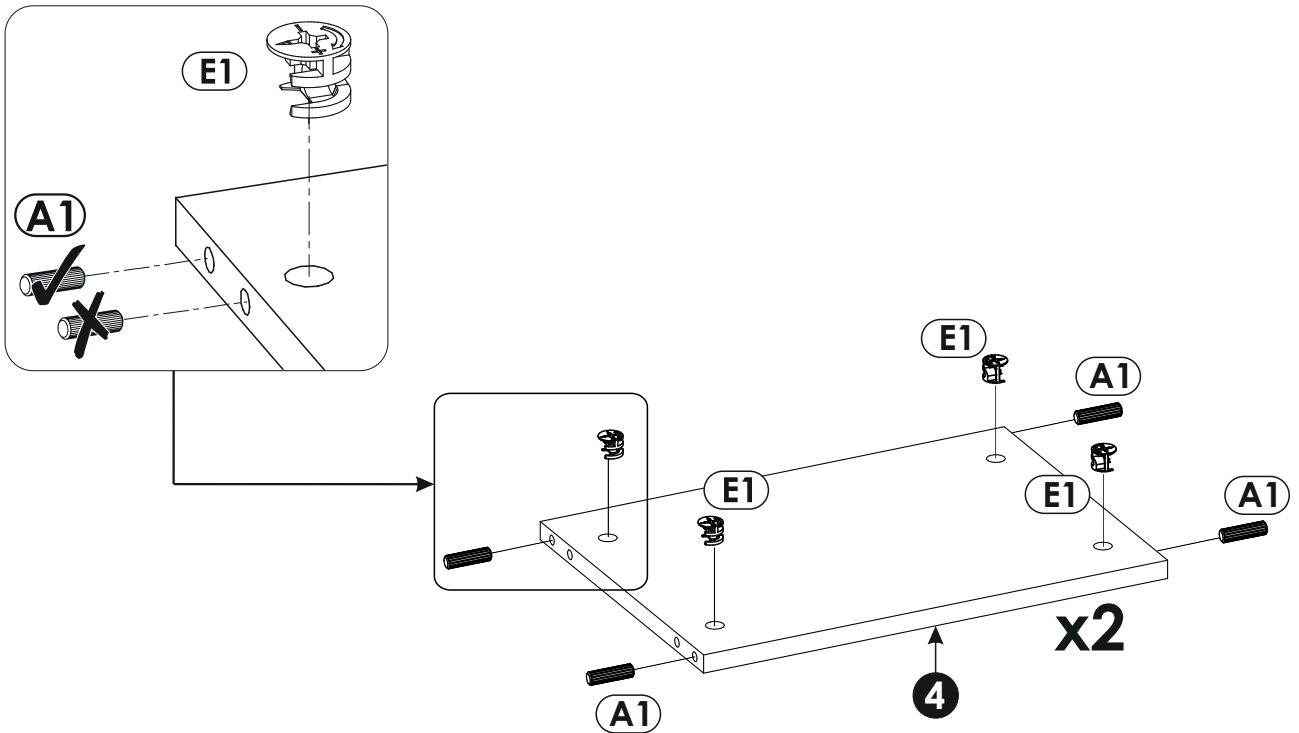
8	250	140	16	x1	1/1
9	250	140	16	x1	1/1
10	374	124	16	x1	1/1
11	386	253	3	x1	1/1
12	430	163	3	x1	1/1
13	430	213	3	x1	1/1



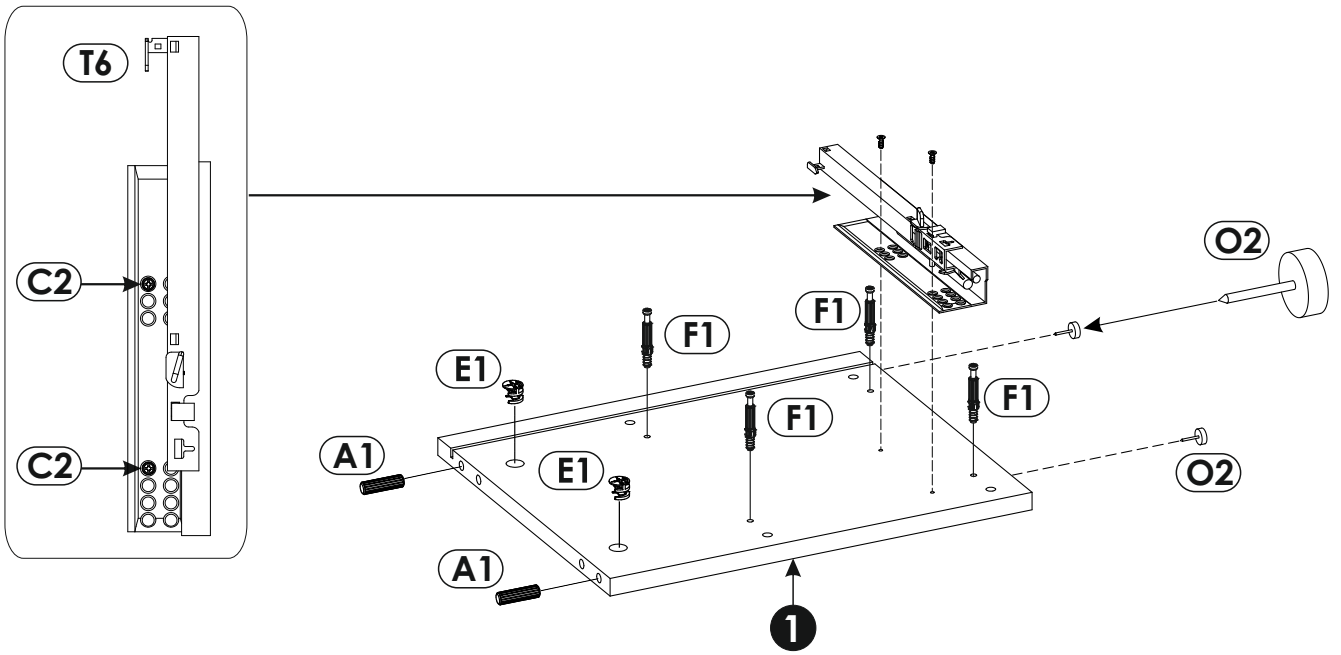
1 ▶



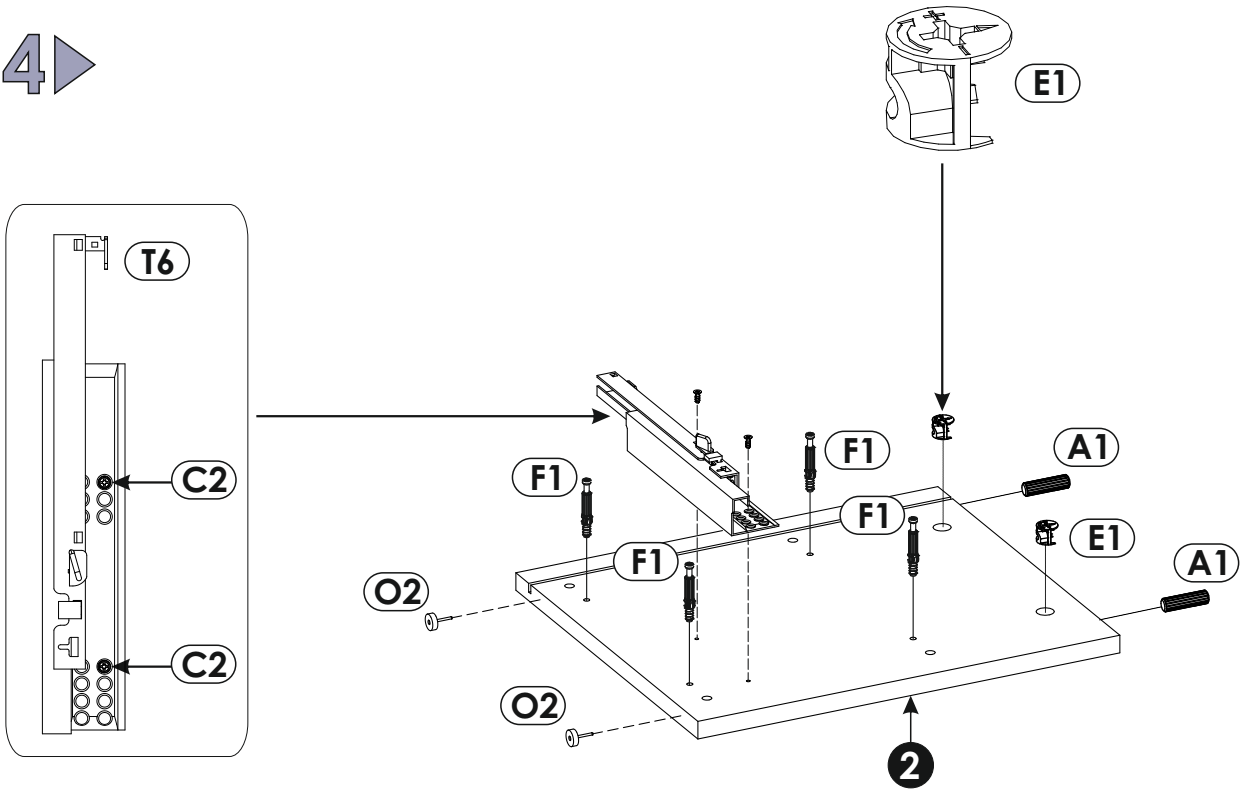
2 ▶



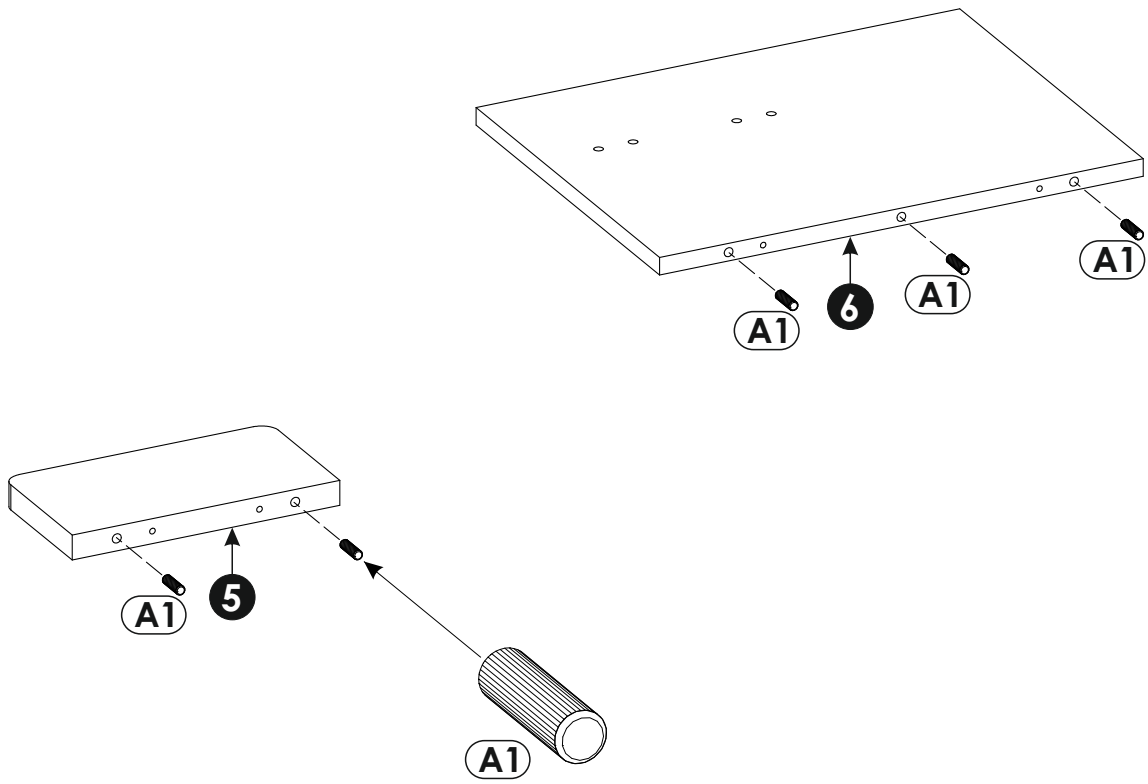
3 ▶



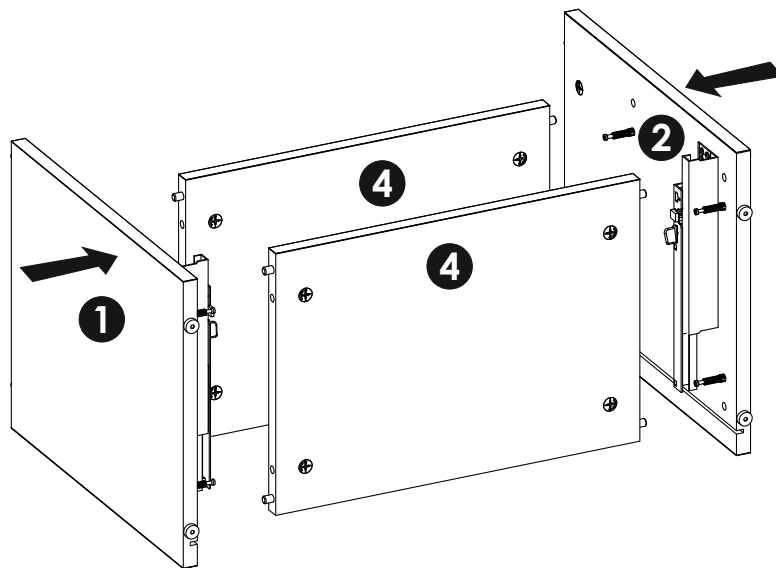
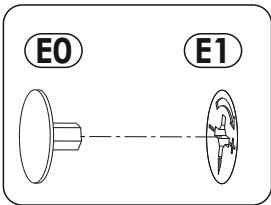
4 ▶



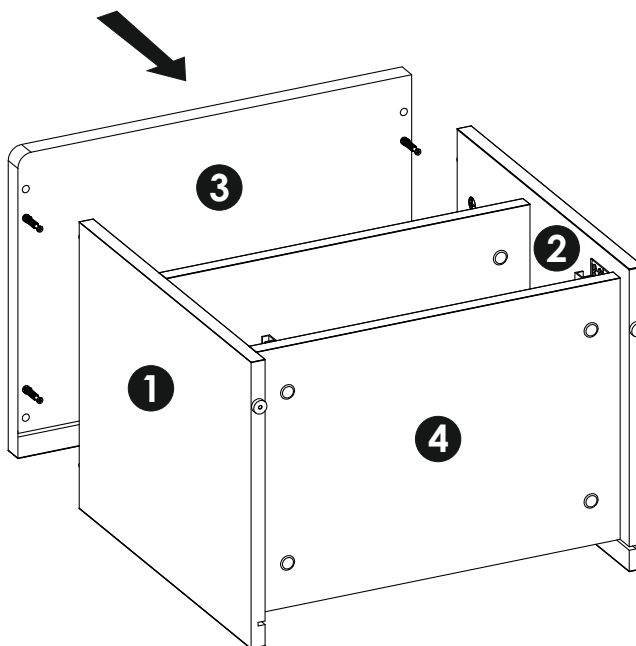
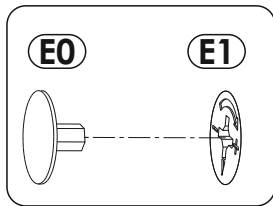
5 ▶



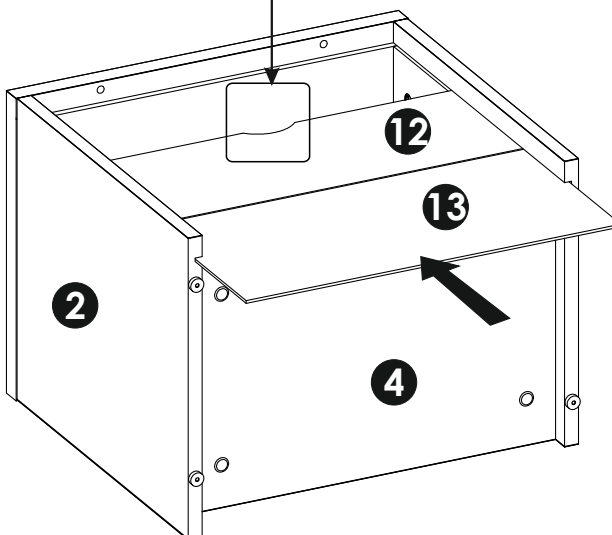
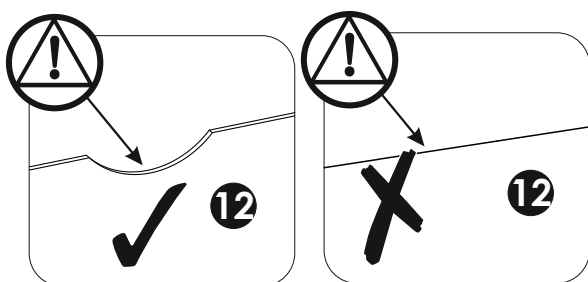
6 ▶



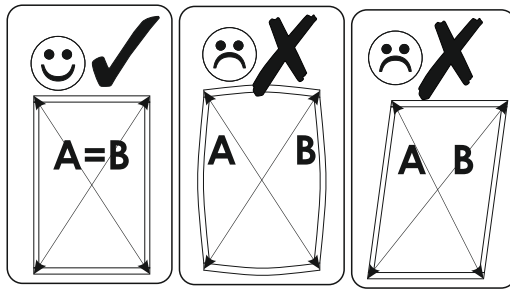
7 ▶



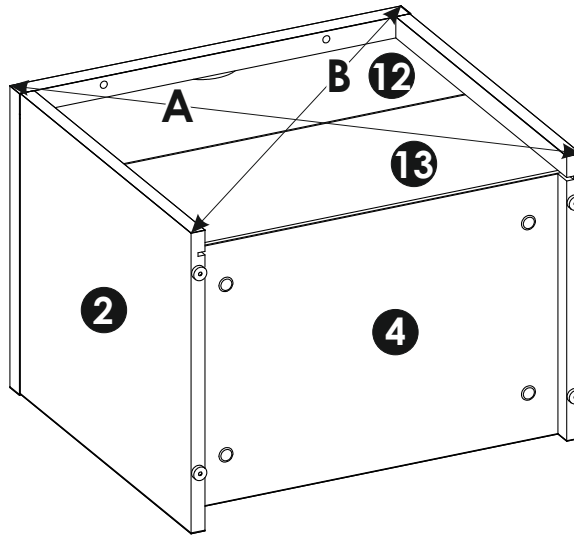
8 ▶



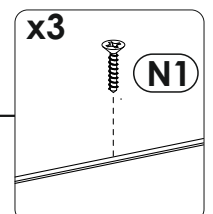
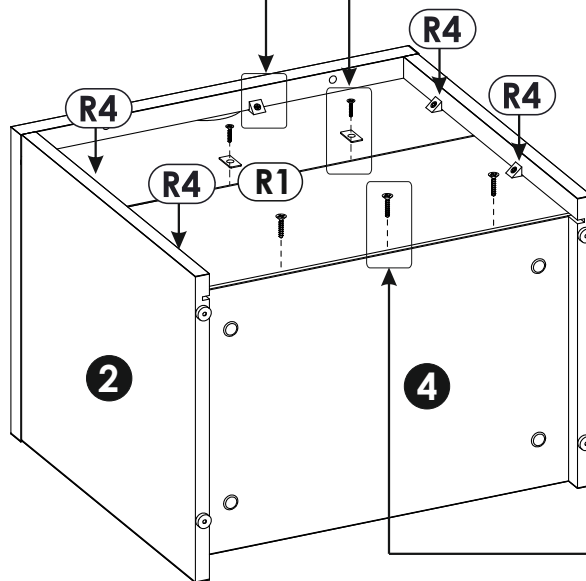
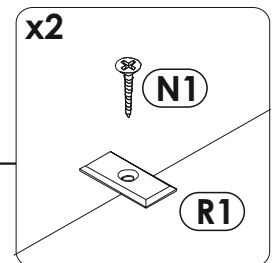
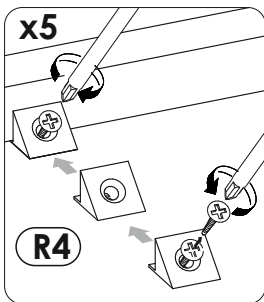
9 ▶



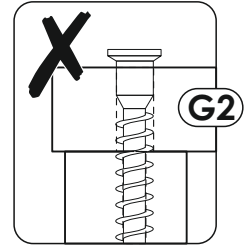
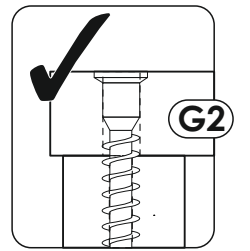
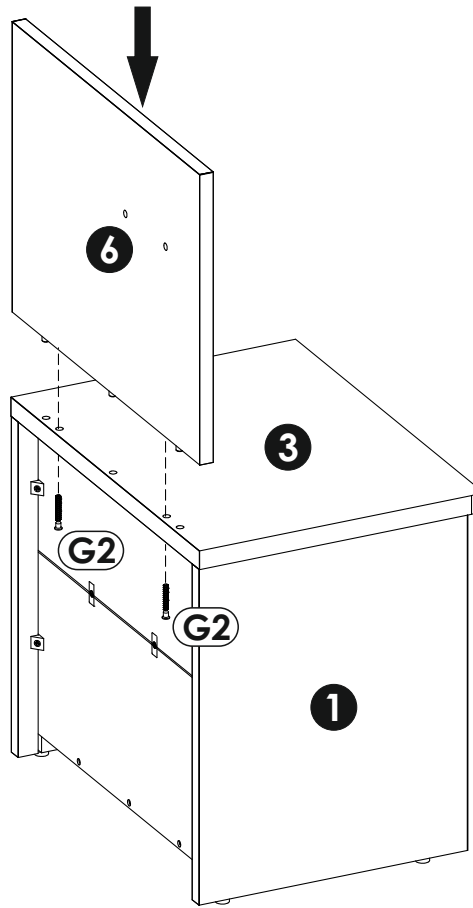
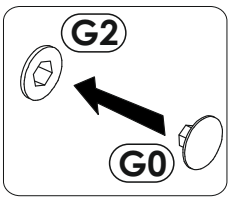
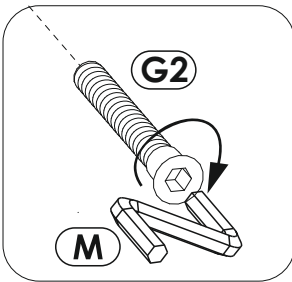
A=B



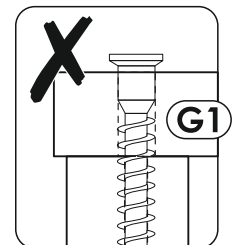
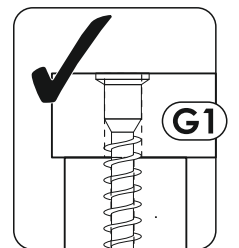
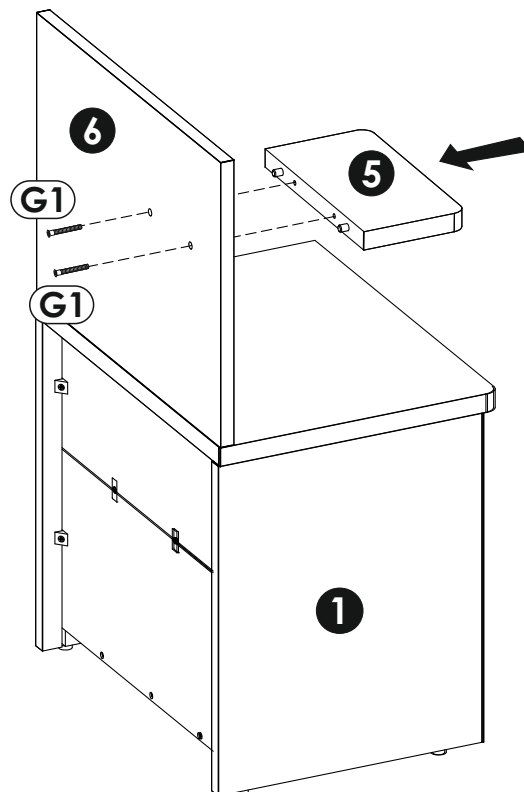
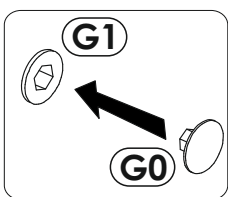
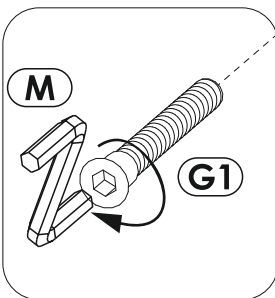
10 ▶



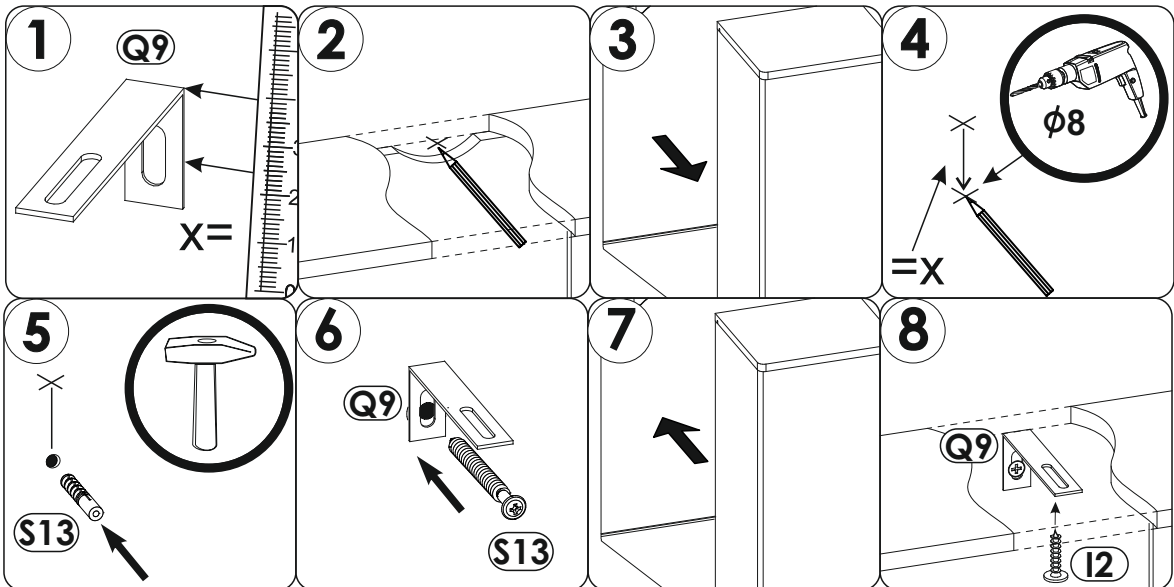
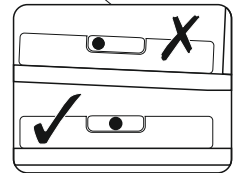
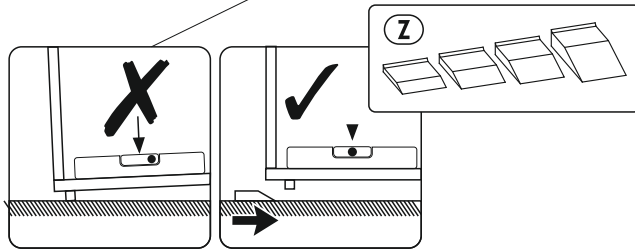
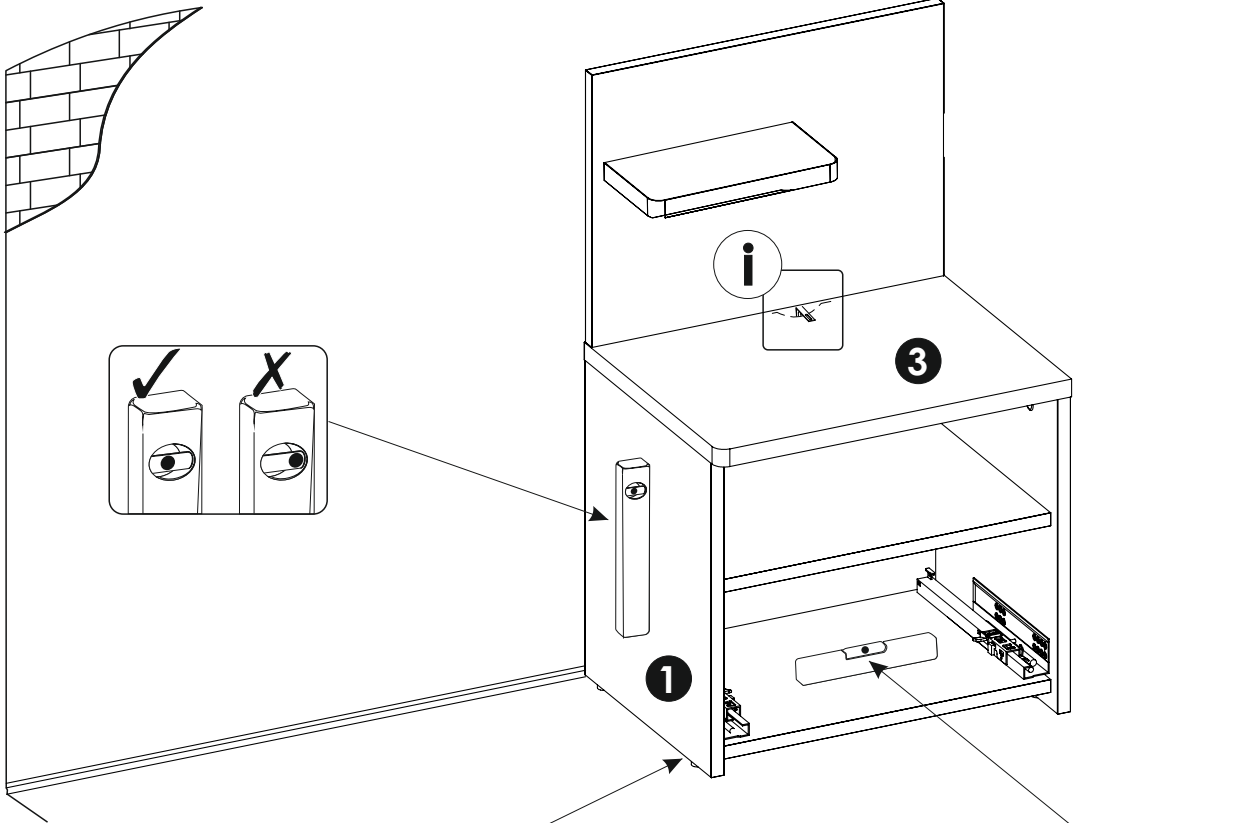
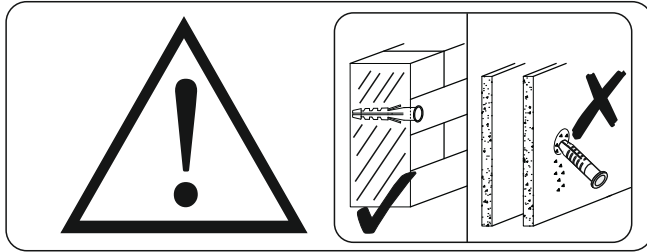
11 ▶



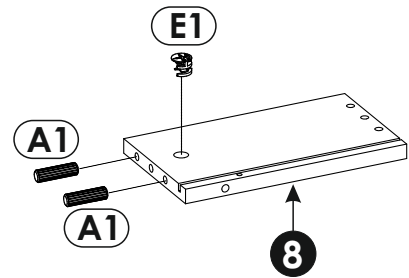
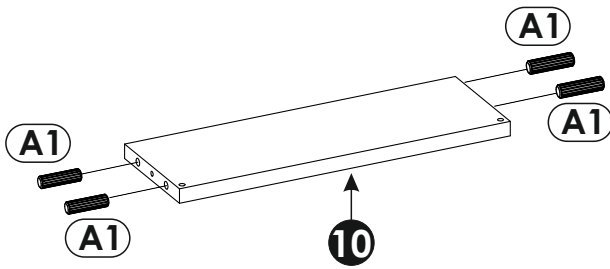
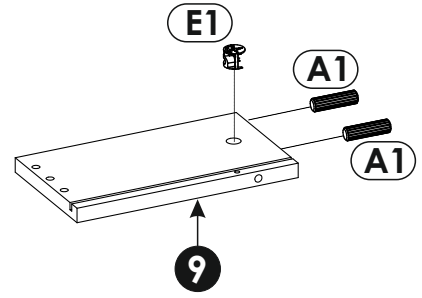
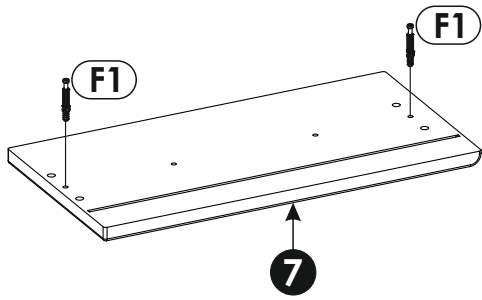
12 ▶



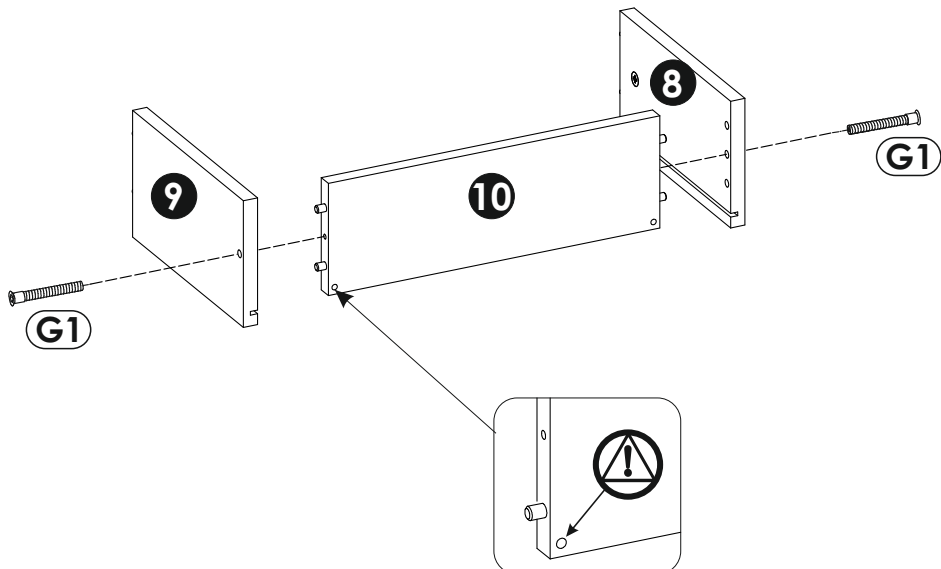
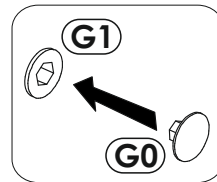
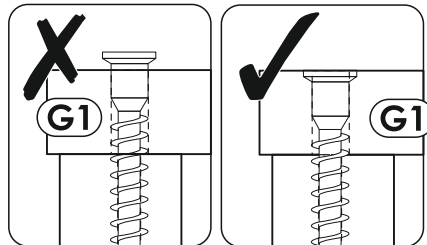
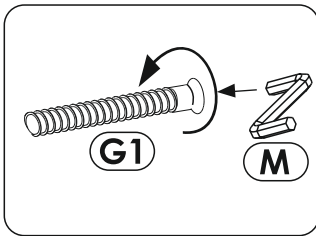
13 ▶



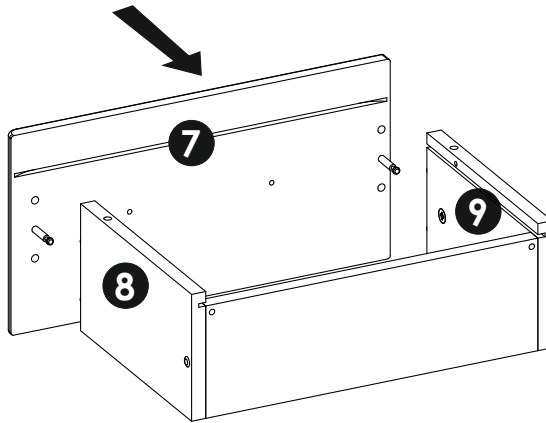
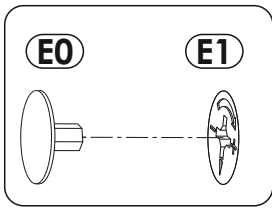
14 ▶



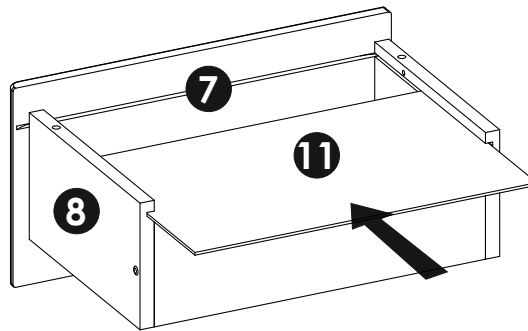
15 ▶



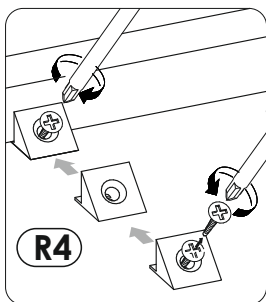
16 ▶



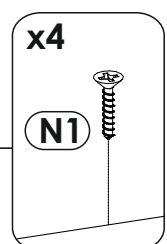
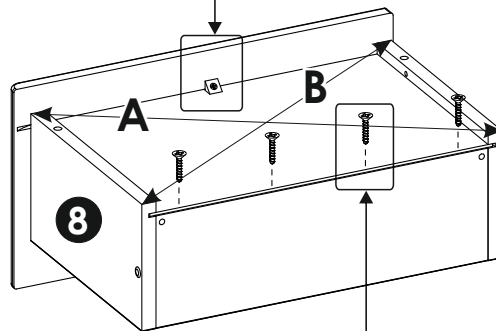
17 ▶



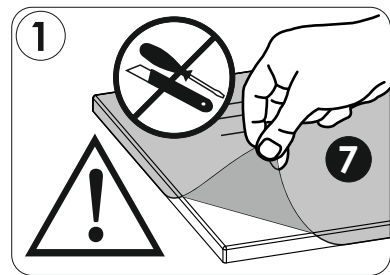
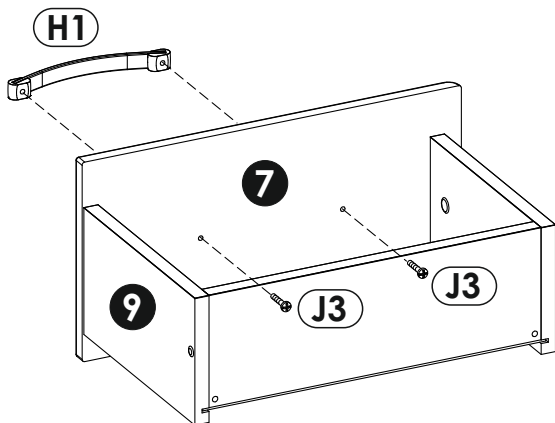
18 ▶



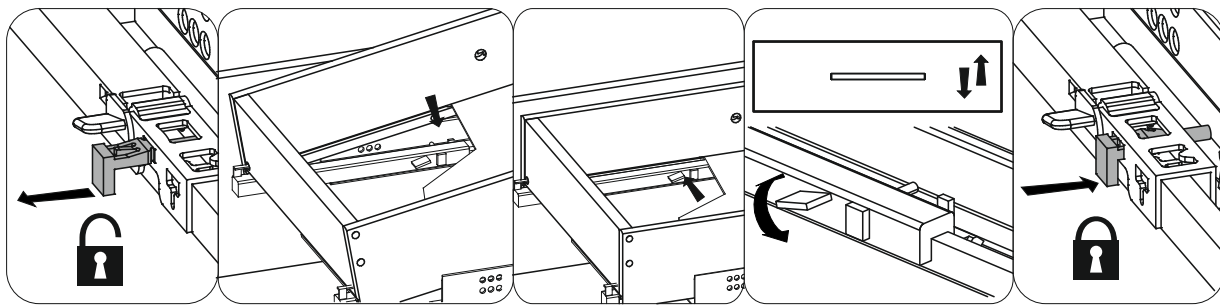
A=B



19 ▶

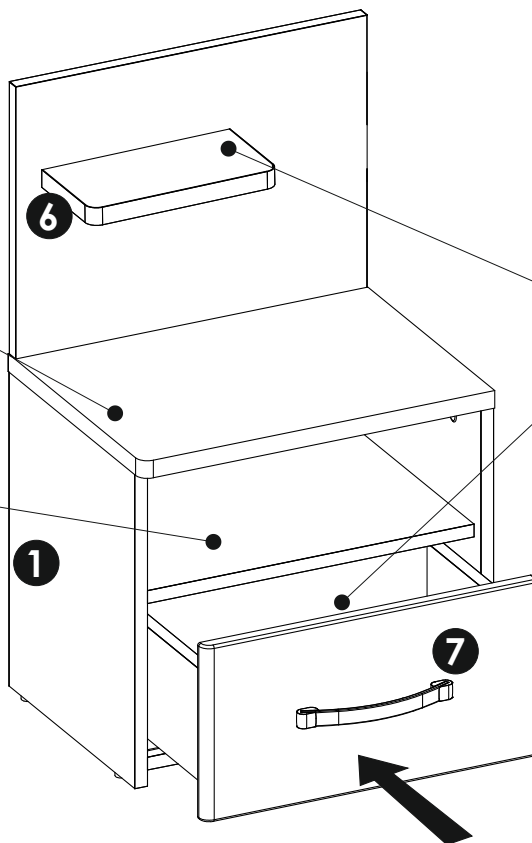


20 ▶



max.
20 kg

max.
5 kg



max.
3 kg

