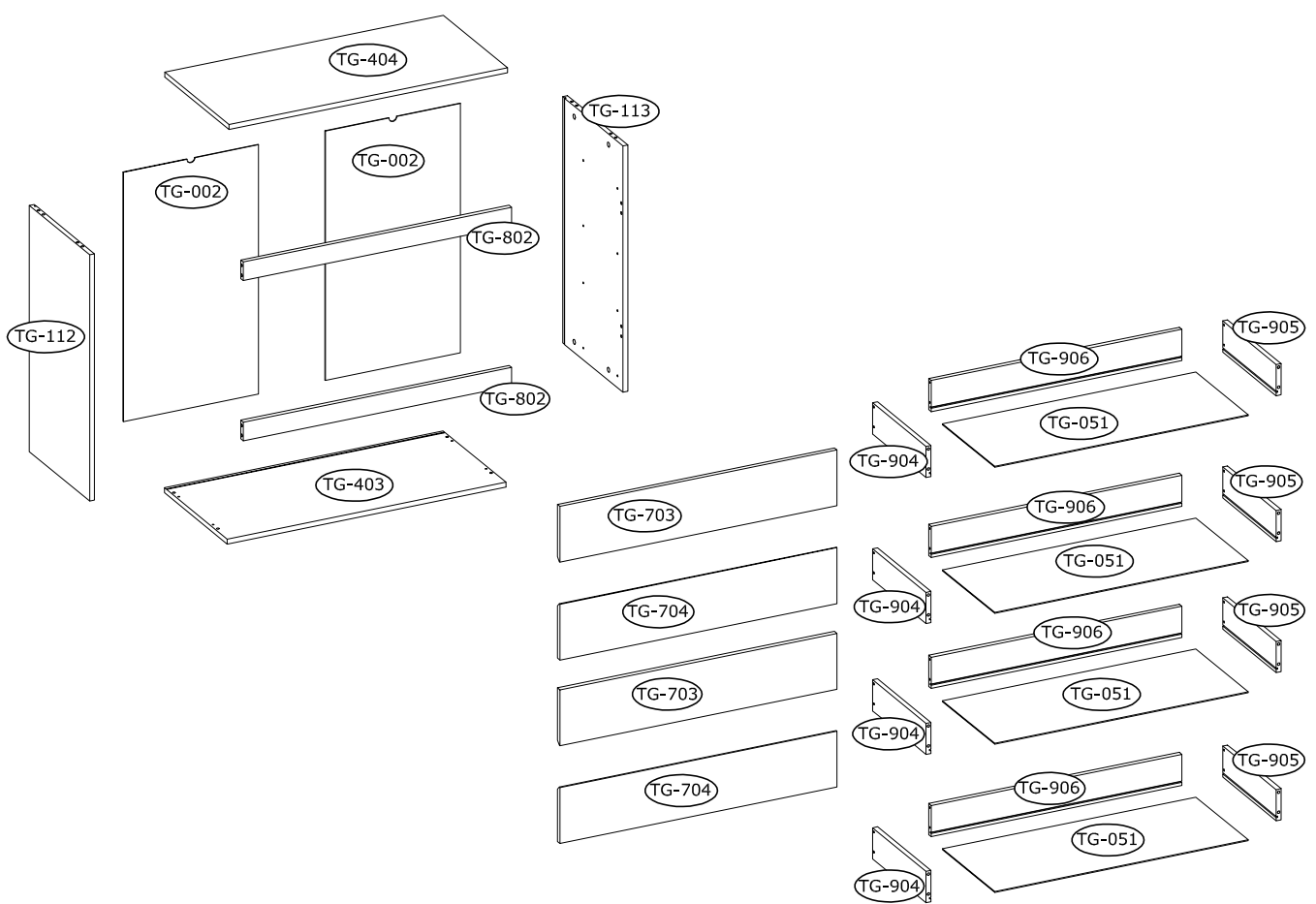
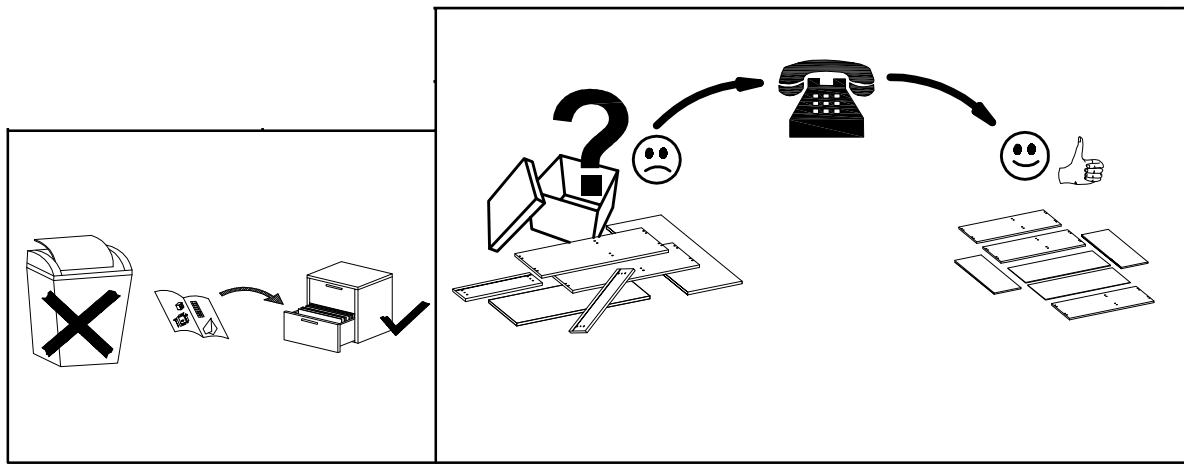
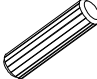




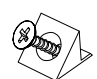

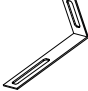
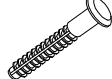
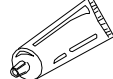
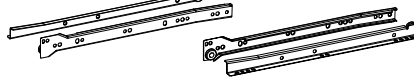



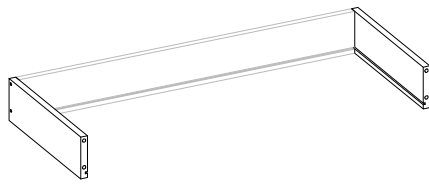
0
10
20
30
40
50
60
70
80
90
100
110
120
130
140
150
160
170
180
190
200



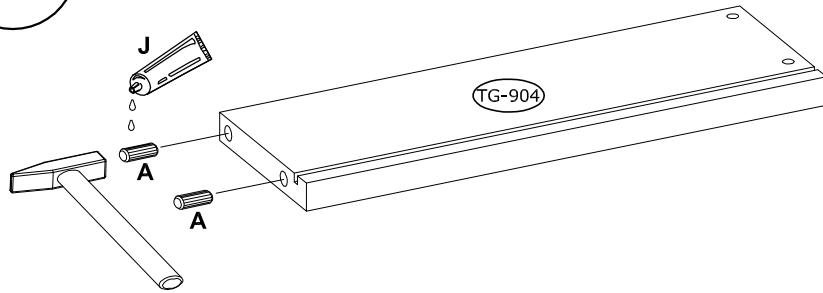
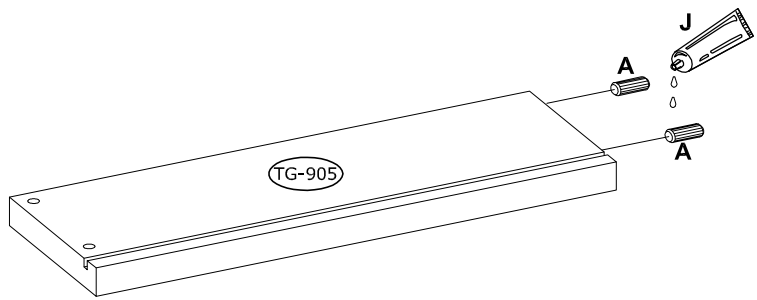
- | | | | | |
|---|---|---|--|--|
| A

Ø8x30 mm
x32
3989 | B

Ø6,5x36,5 mm
x8
4066 | C

Ø15x12 mm
x8
3996 | D

Ø6,0x13 mm
x16
3877 | E

Ø3,5x16 mm
x20
3918 |
| F

15x14x11 mm
x16
4044 | G

L-790mm
x1
IN00378 | H

75x40x15 mm
x2
71900 | I

x16
IN01157 | J

x1
3983 |
| K

L-350 mm
x4
3804 | L

60x20 mm
x4
3793 | | | |

1

<p>A</p>  <p>Ø8x30 mm</p> <p>x16 3989</p>	<p>J</p>  <p>x1 3983</p>	
--	--	--

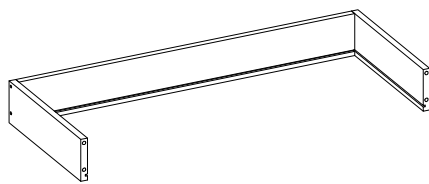


x4

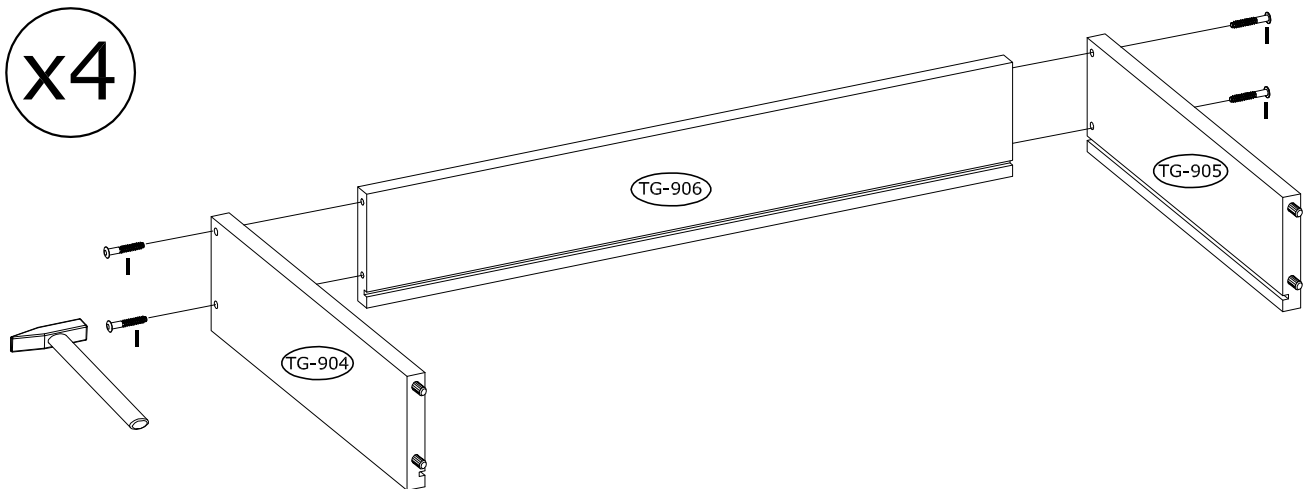


2

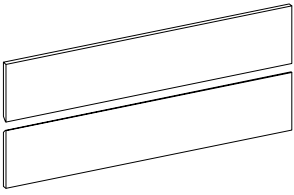
<p>I</p>  <p>x16 IN01157</p>	
---	---



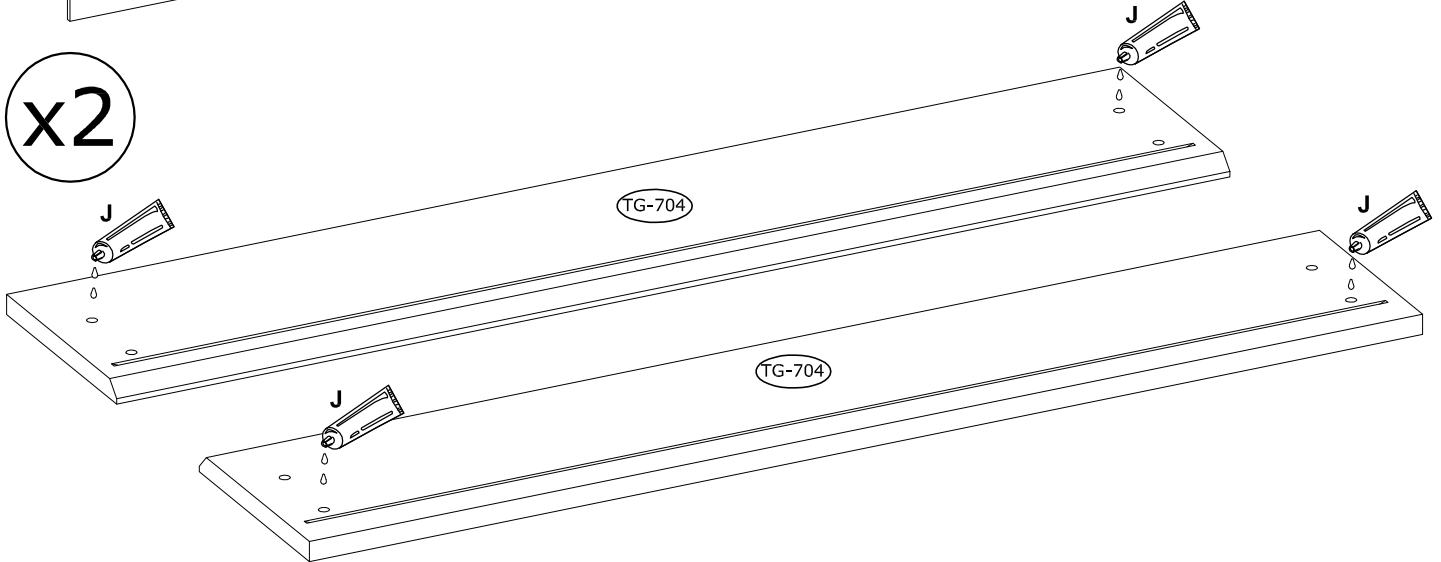
x4



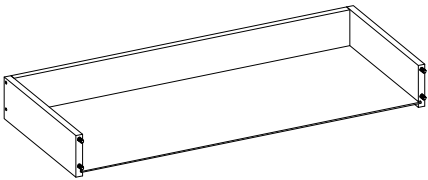
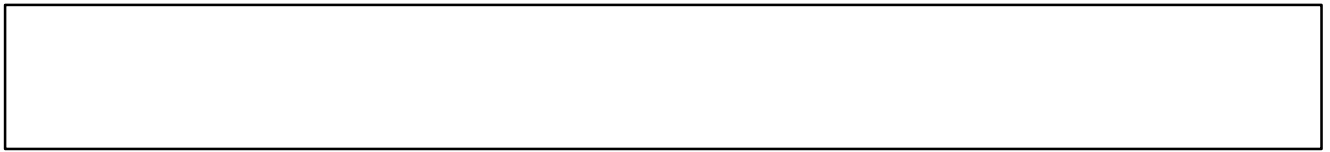
3



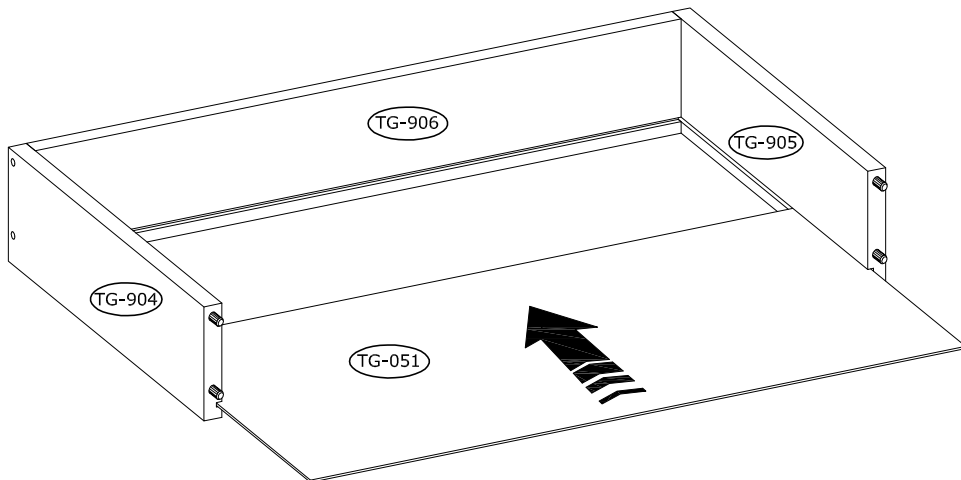
x2



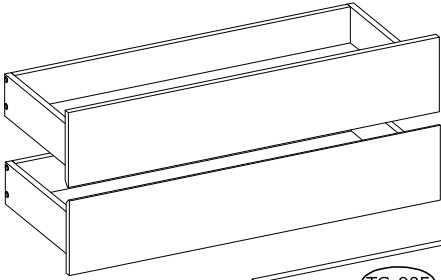
4



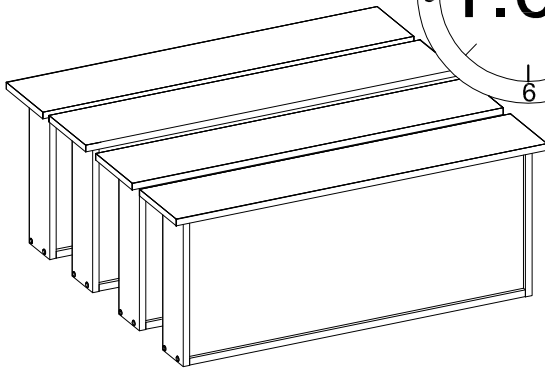
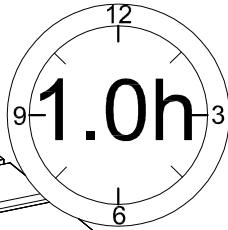
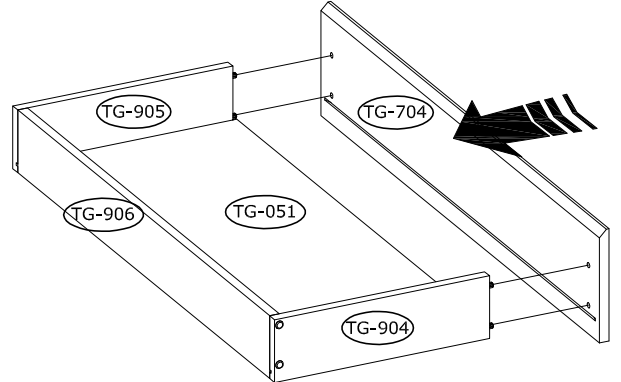
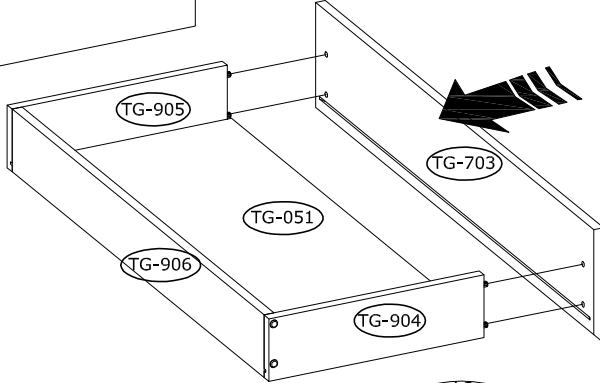
x4



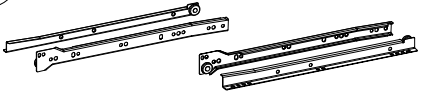


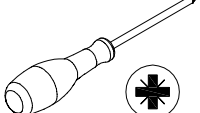

5

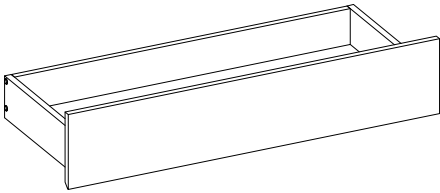


x2

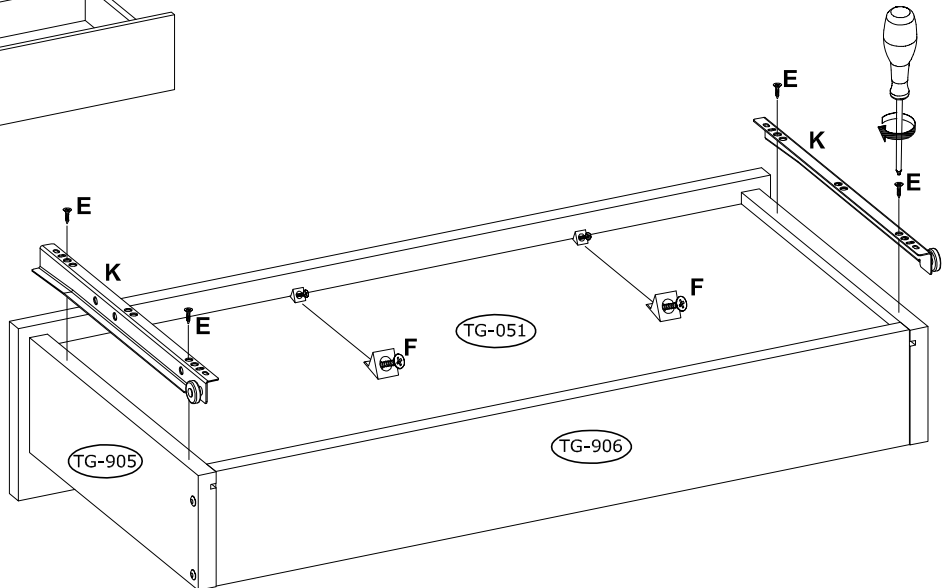


6

<p>K L-350 mm  x4 3804</p>	<p>E Ø3,5x16 mm  x16 3918</p>	<p>F 15x14x11 mm  x8 4044</p>	 
--	---	---	--

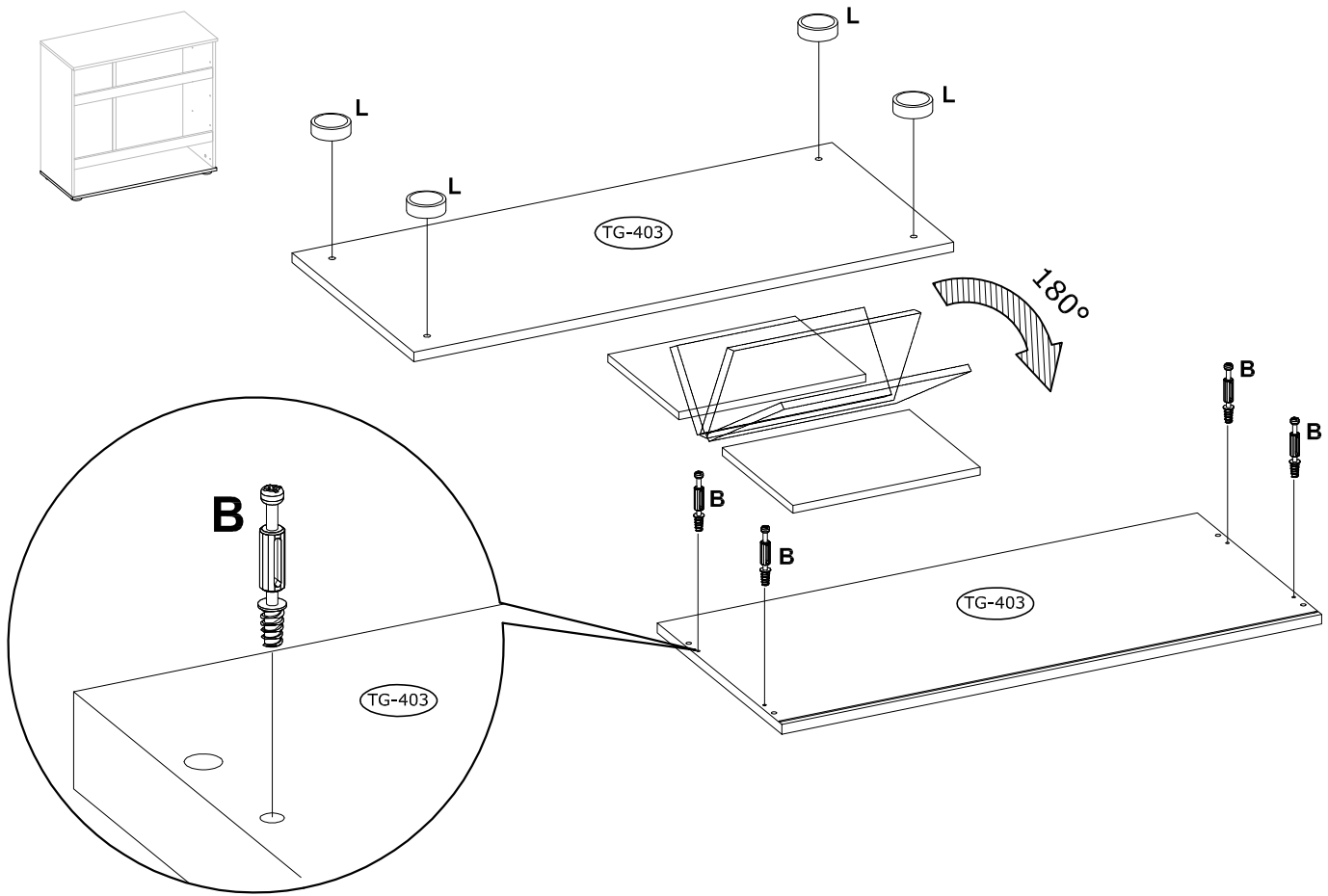


x4

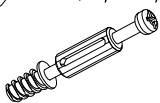
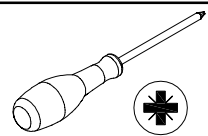


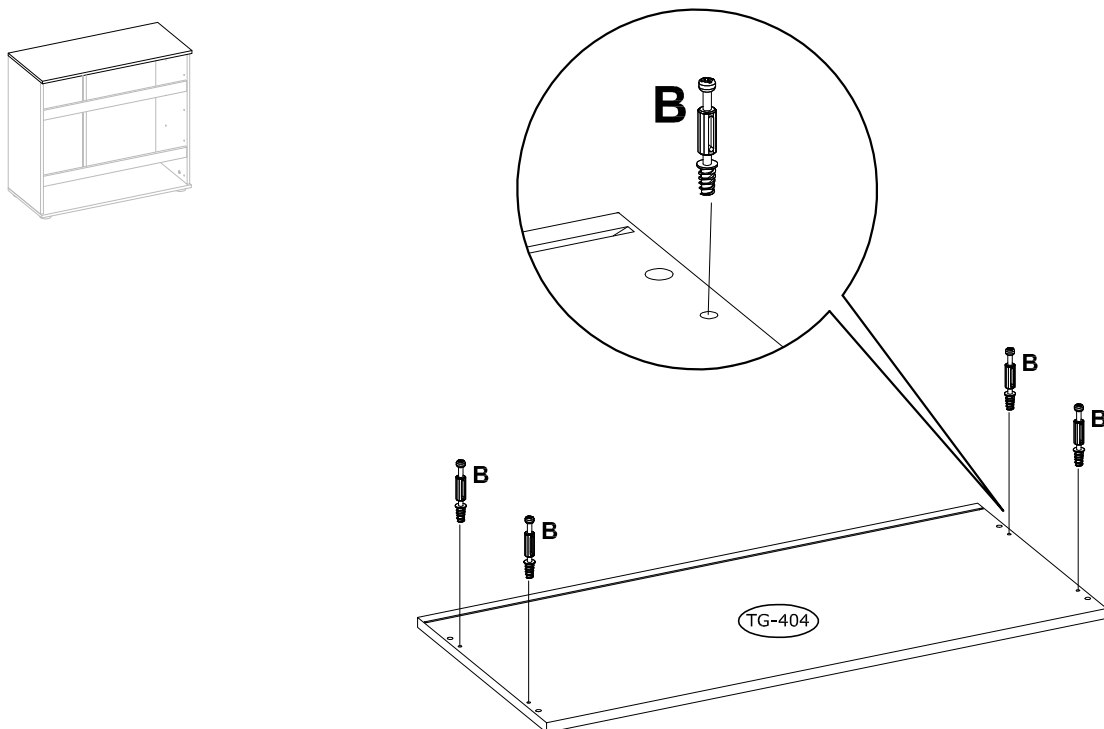
7

L 60x20 mm  x4 3793	B Ø6,5x36,5 mm  x4 4066	
---	--	--

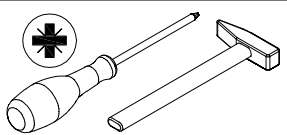


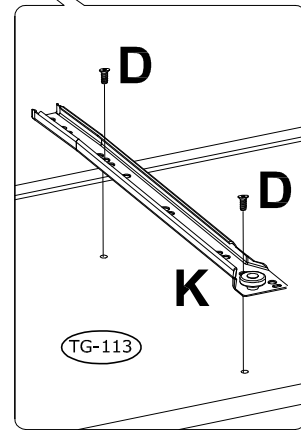
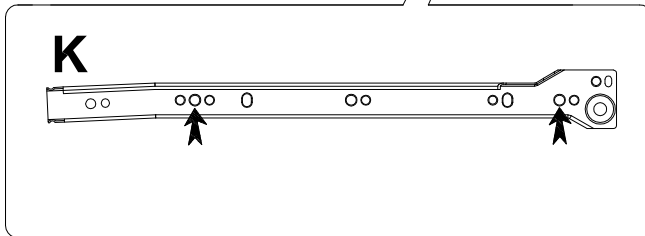
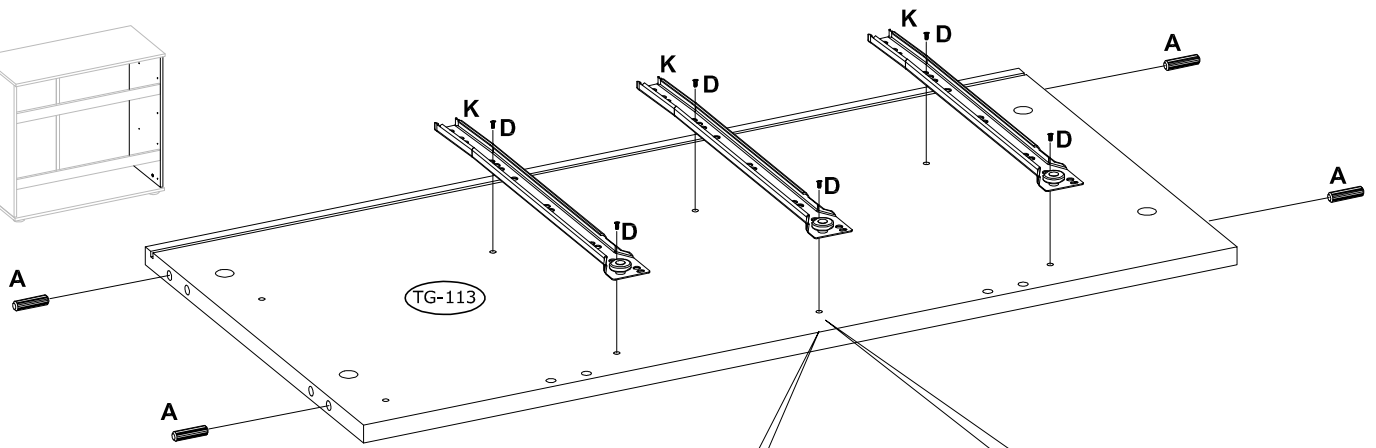
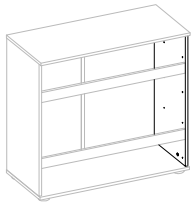
8

B Ø6,5x36,5 mm  x4 4066	
---	---

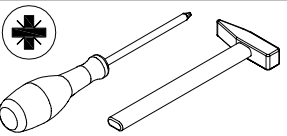


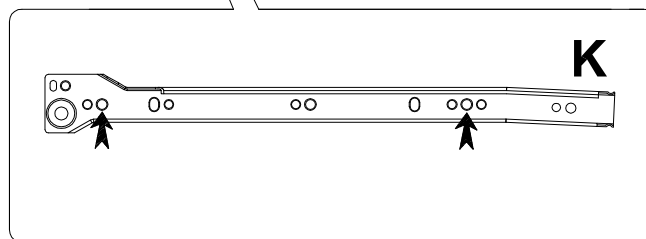
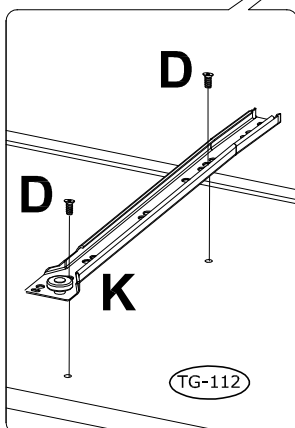
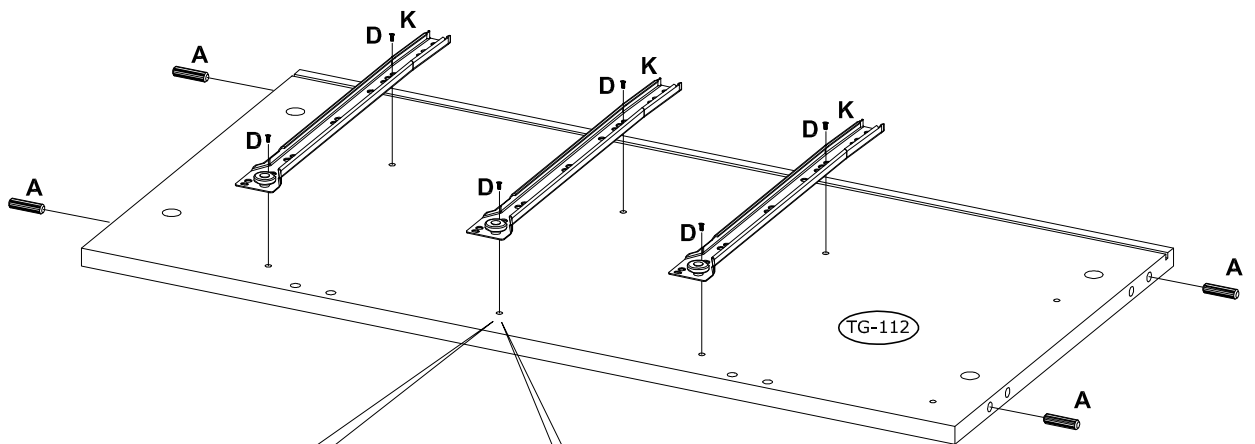
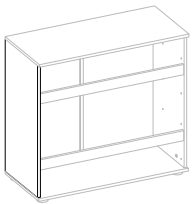
9

A Ø8x30 mm x4 3989	K L-350 mm x3 3804	D Ø6,0x13 mm x6 3877	
------------------------------------	------------------------------------	--------------------------------------	--



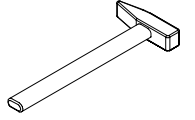
10

A Ø8x30 mm x4 3989	K L-350 mm x3 3804	D Ø6,0x13 mm x6 3877	
------------------------------------	------------------------------------	--------------------------------------	---

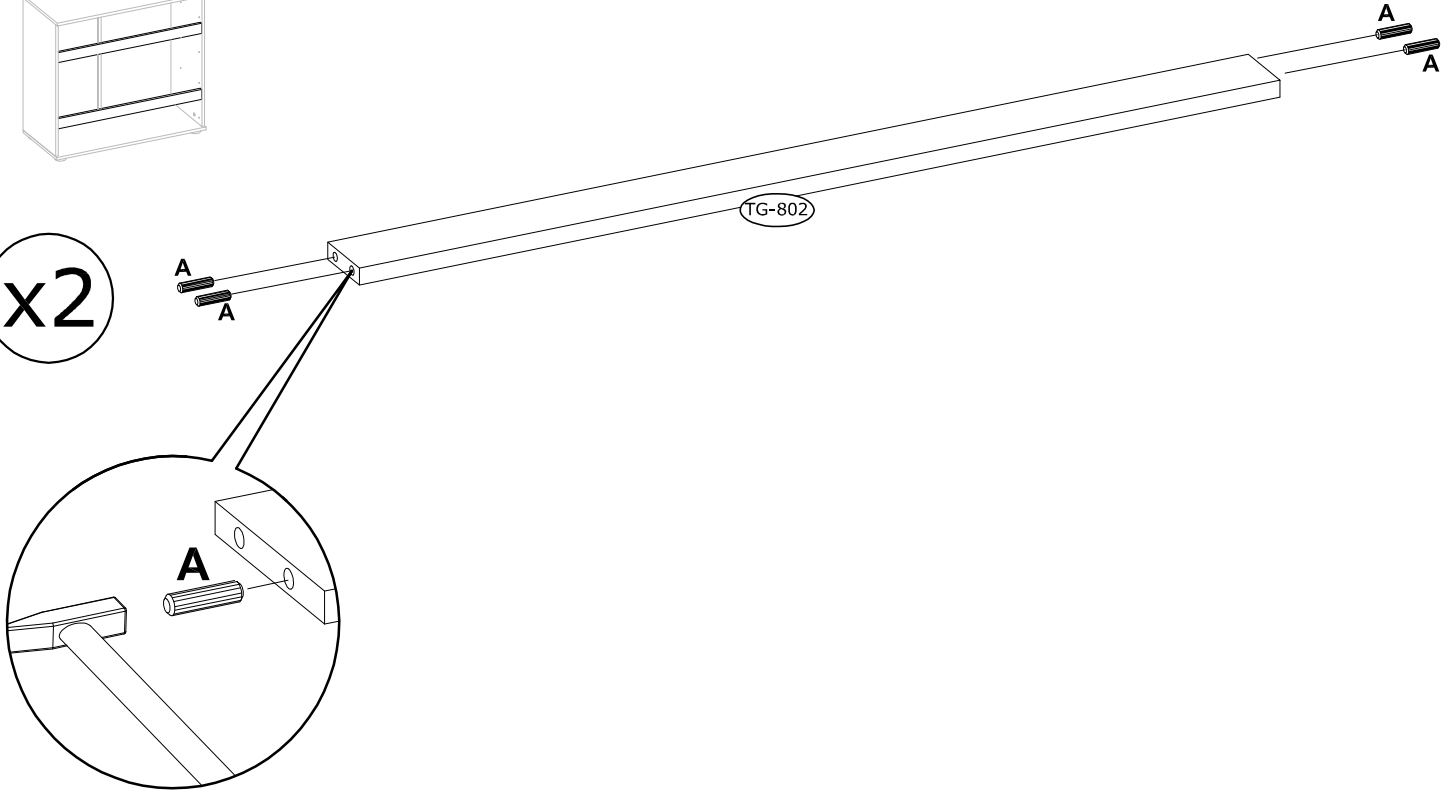


11

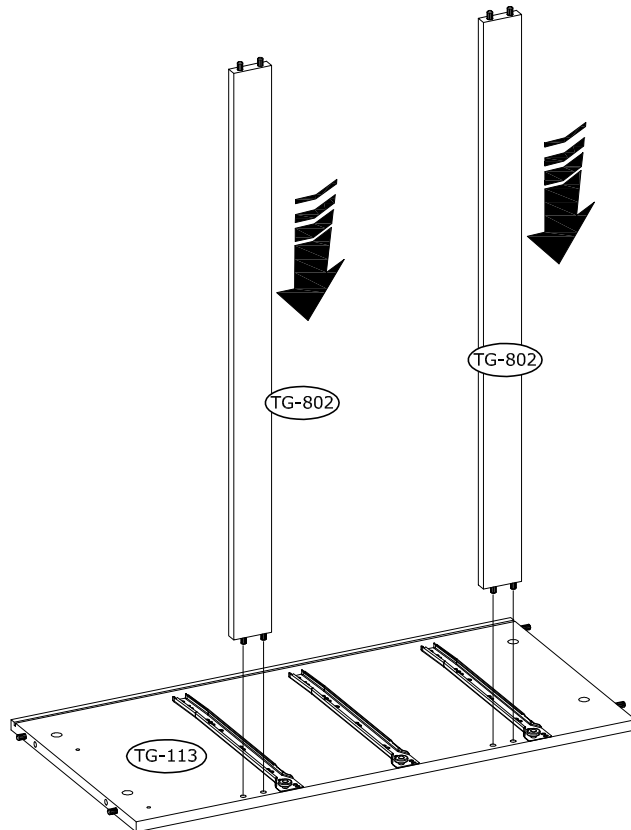
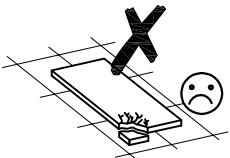
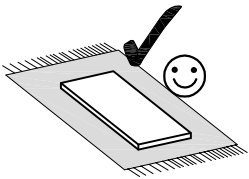
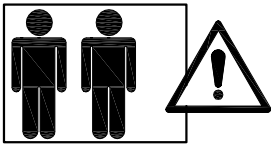
A
Ø8x30 mm
x8
3989



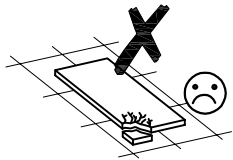
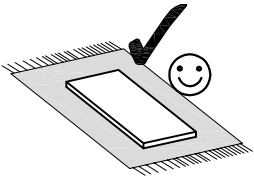
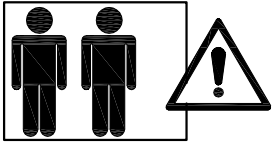
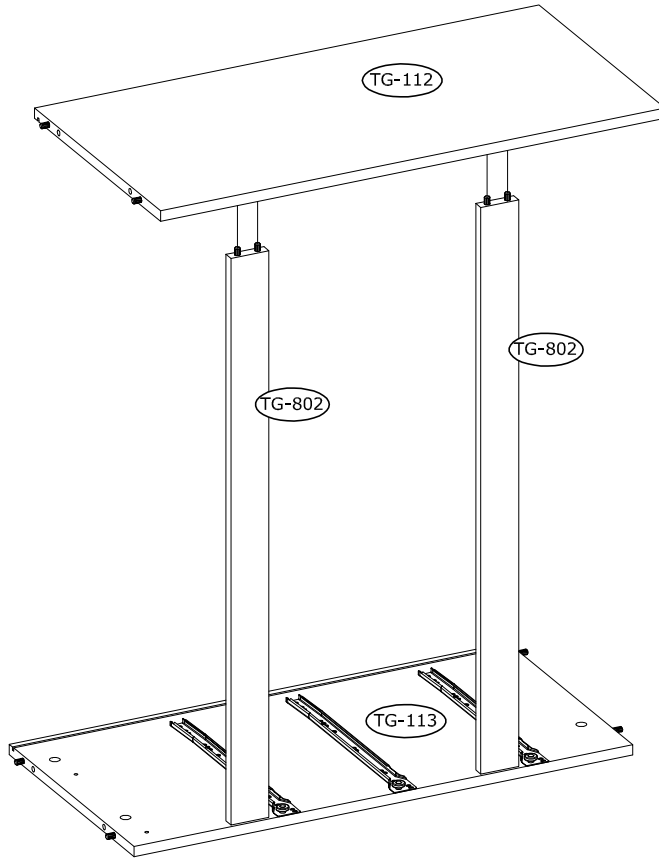
x2



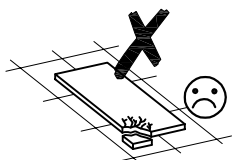
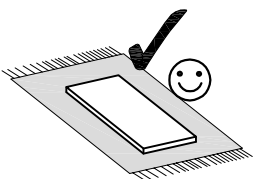
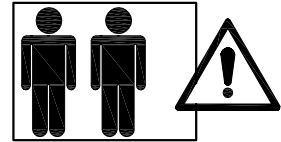
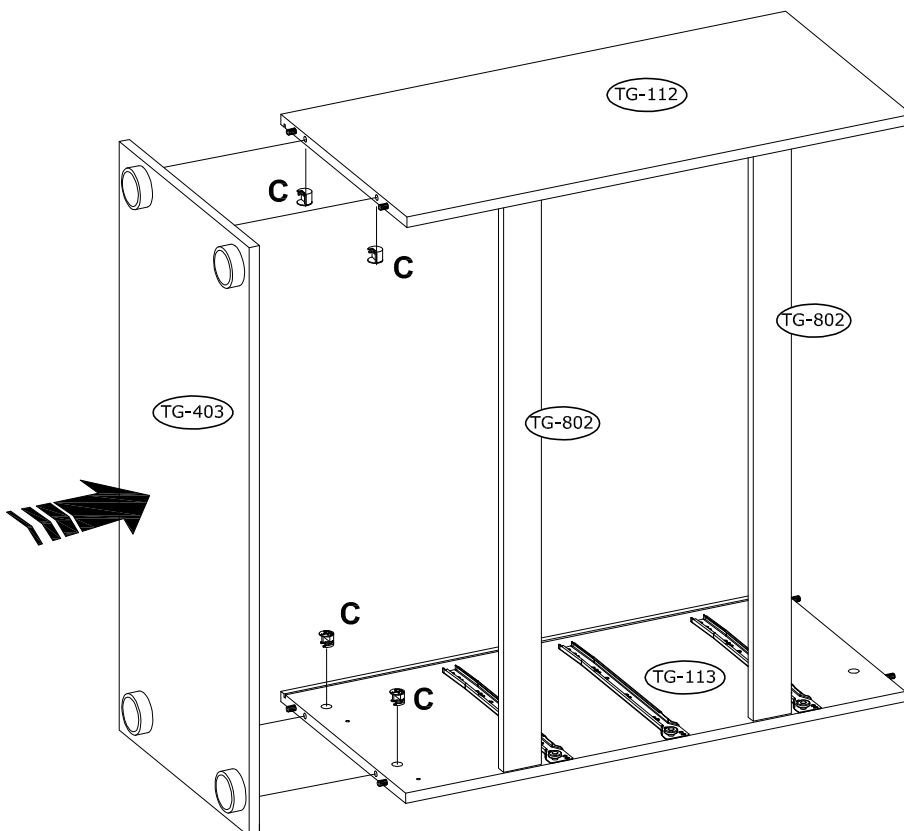
12



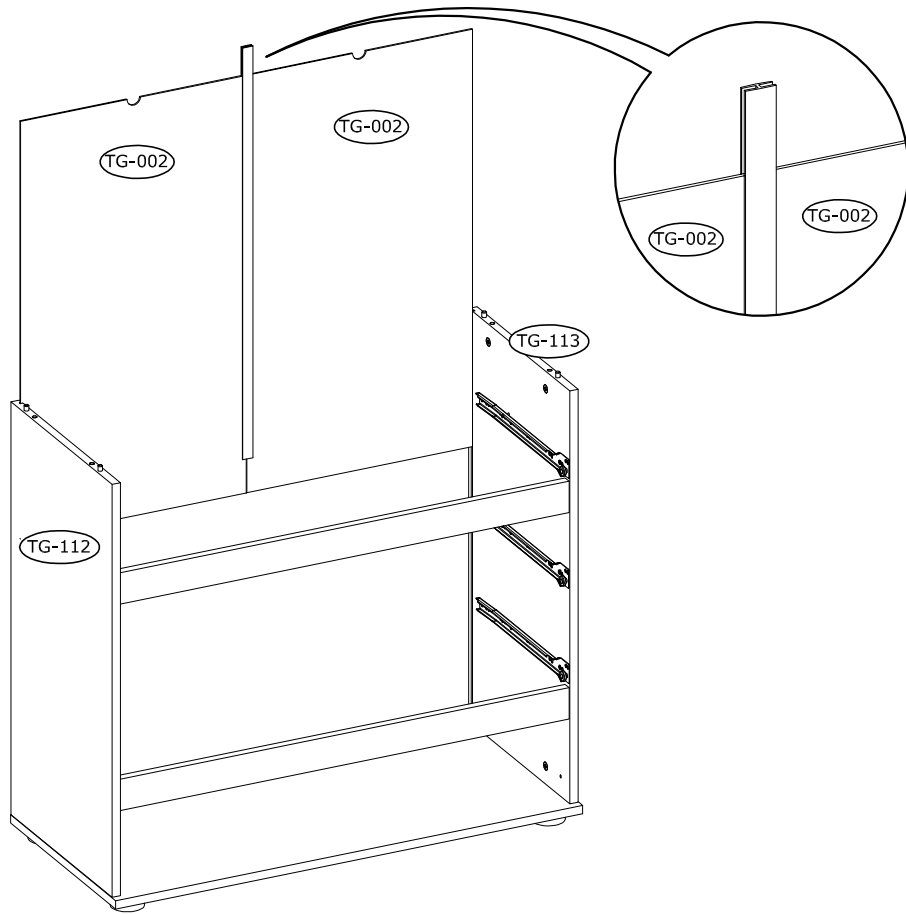
13




14

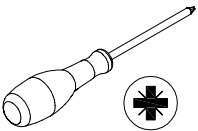
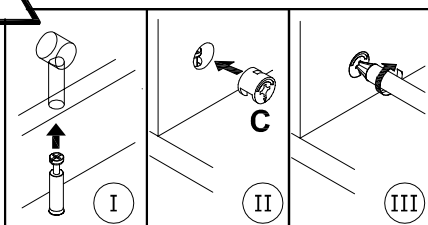
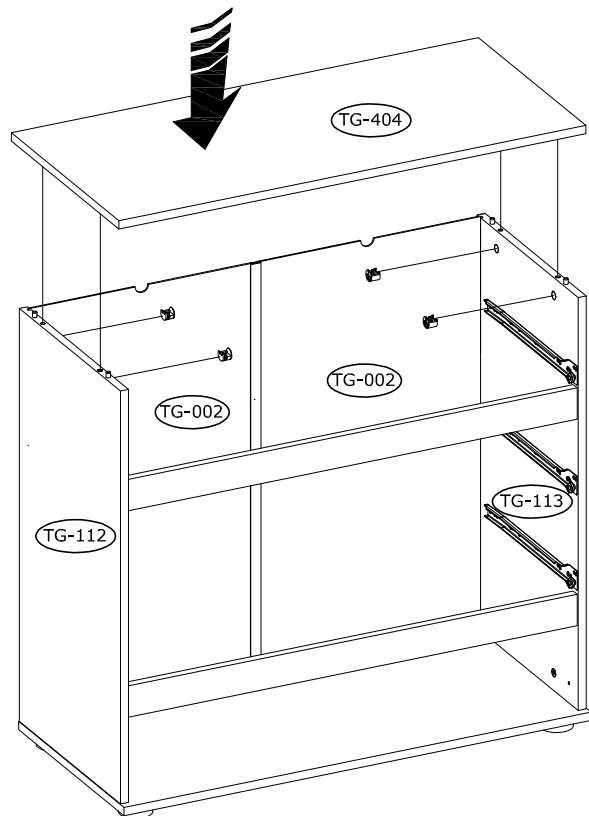


15



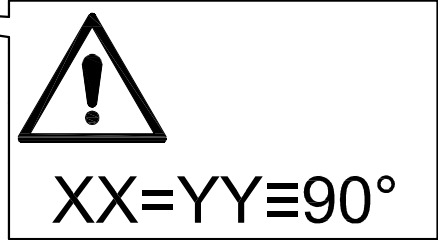
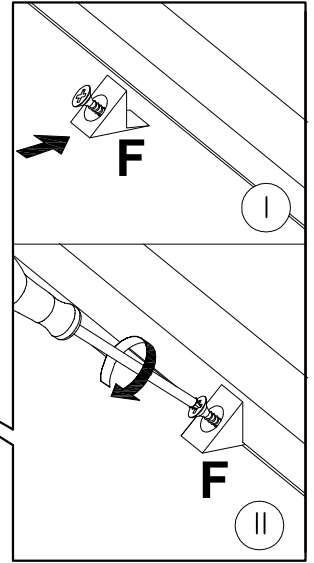
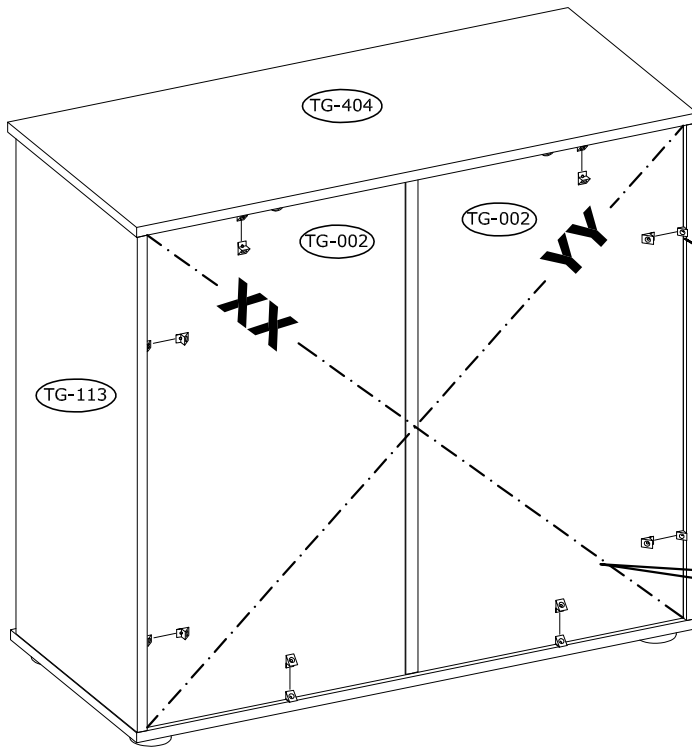
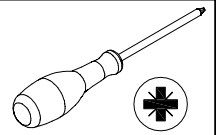
16

C $\varnothing 15 \times 12$ mm
 x4
 3996

17

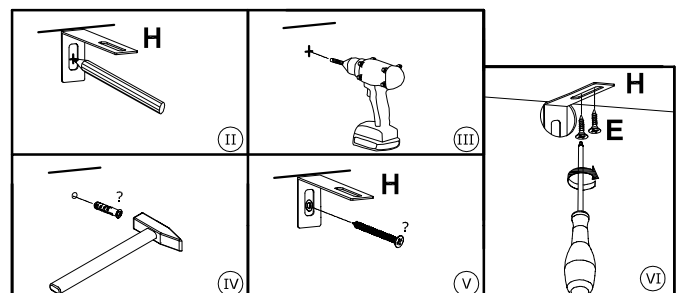
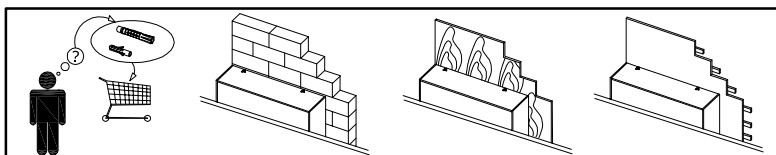
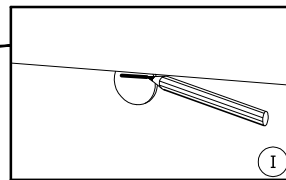
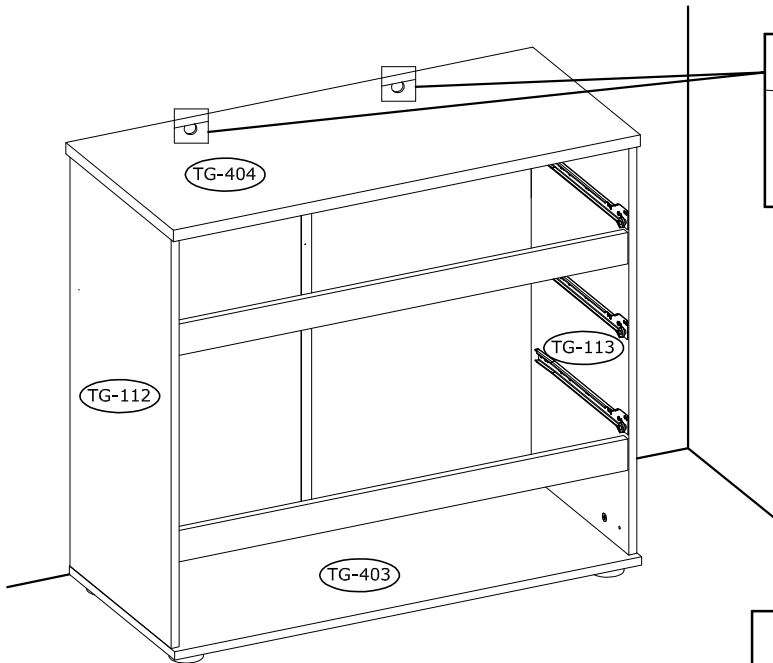
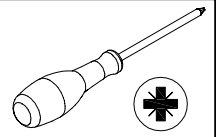
F 15x14x11 mm
x8
4044



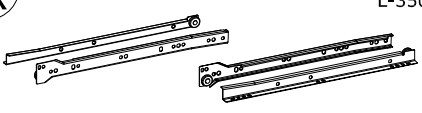

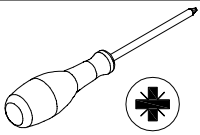

18

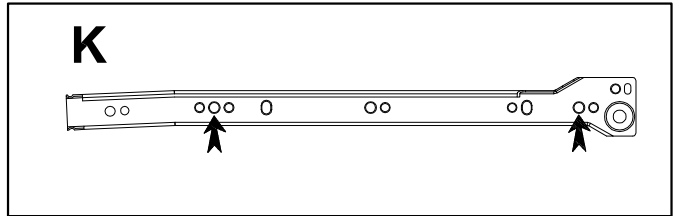
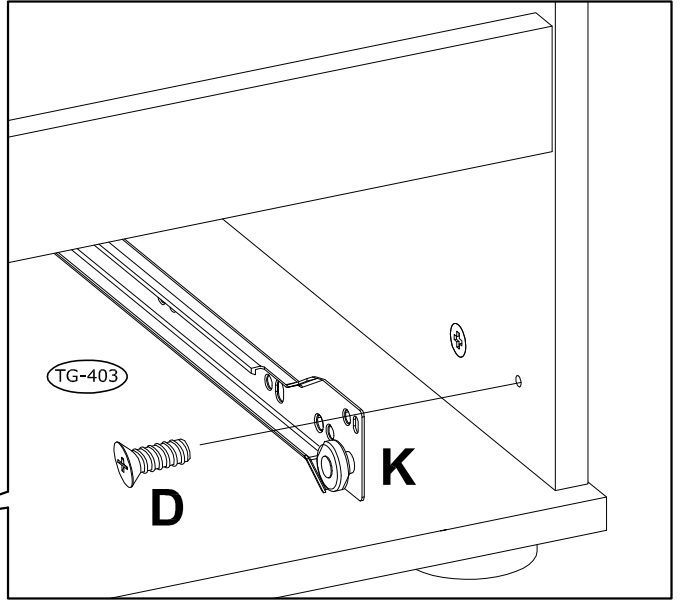
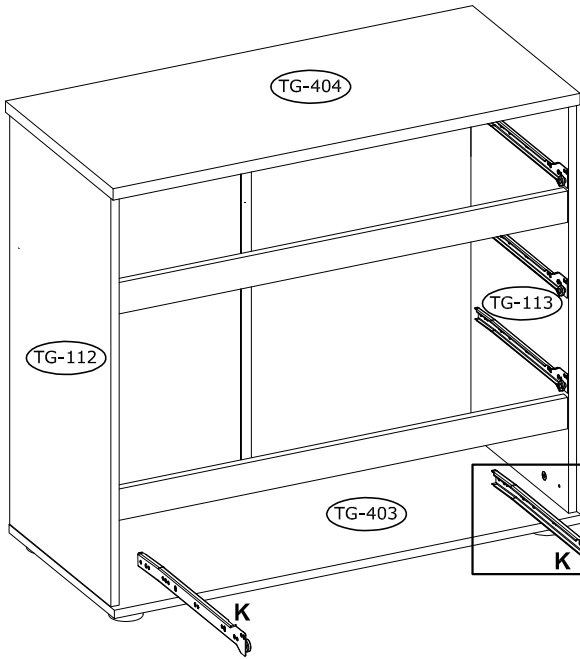
H 75x40x15 mm
x2
71900

E Ø3,5x16 mm
x4
3918



19

K  L-350 mm x1 3804	D  Ø6,0x13 mm x4 3877	 
--	---	---



20

