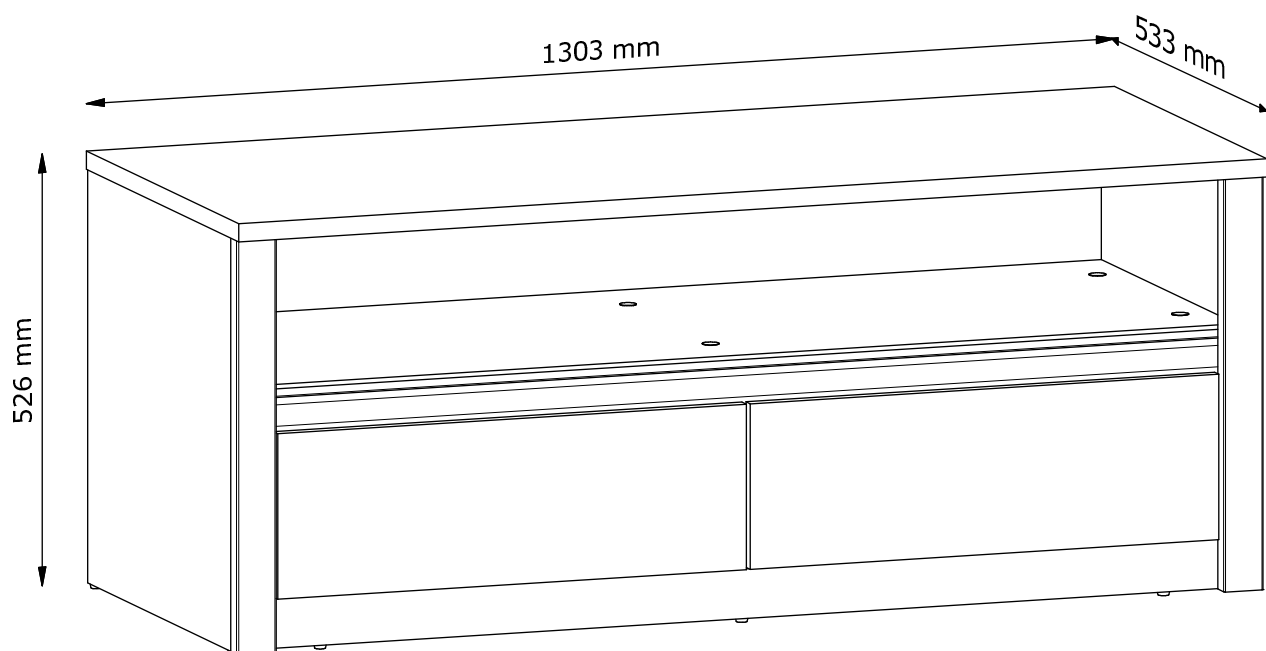


RTV



PL: INSTRUKCJA MONTAŻU

EN: ASSEMBLY MANUAL

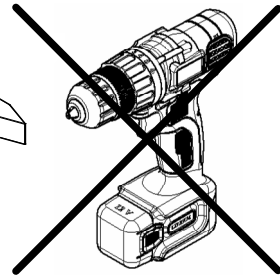
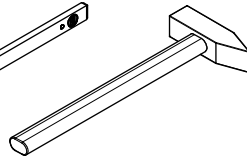
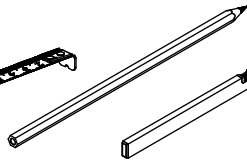
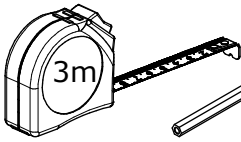
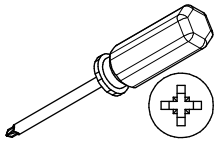
CZ: PŘÍRUČKA PRO MONTÁŽ

SK: PRÍRUČKA PRE MONTÁŽ

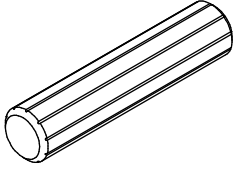
DE: MONTAGEANLEITUNG

SR: UPUTSTVO ZA INSTALACIJU

NL: MONTAGE-INSTRUCTIES

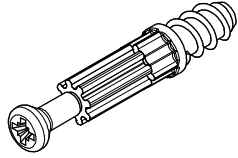


A1 x24



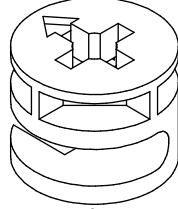
Ø8x35mm

B1 x24



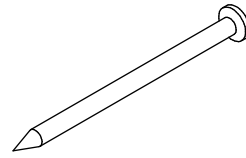
Ø5x38mm

C1 x24



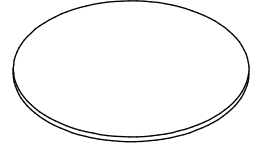
Ø15x12mm

G1 x60



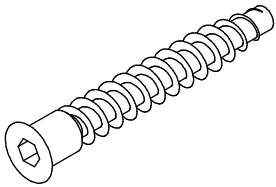
26mm

J x16



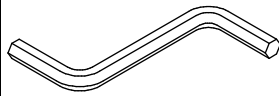
Ø21mm

K1 x20



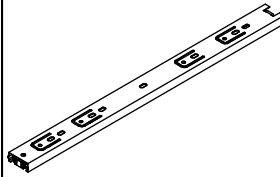
Ø6,4x50mm

N2 x1



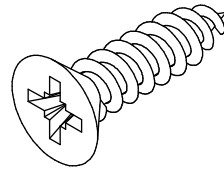
4mm HEX

P3 x4



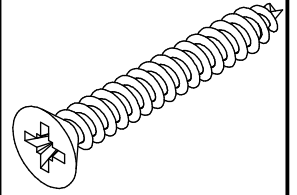
400mm

W2 x20



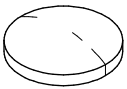
Ø3,5x16mm

W5 x2



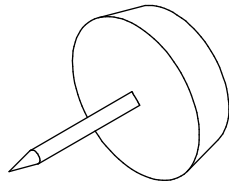
Ø4x30mm

Y1 x4

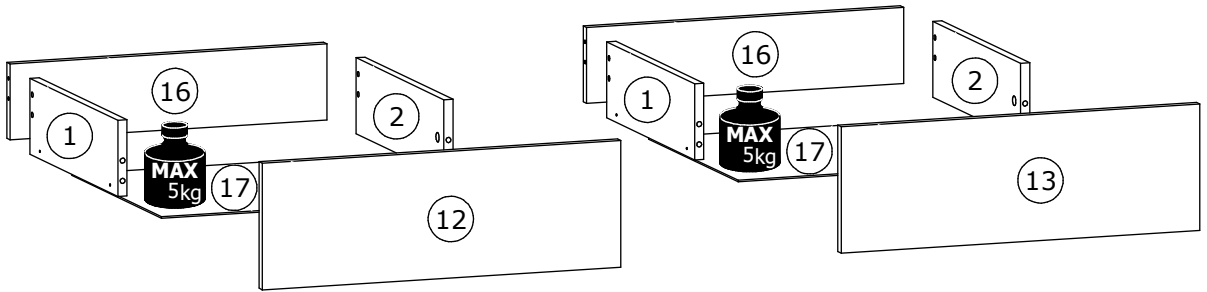
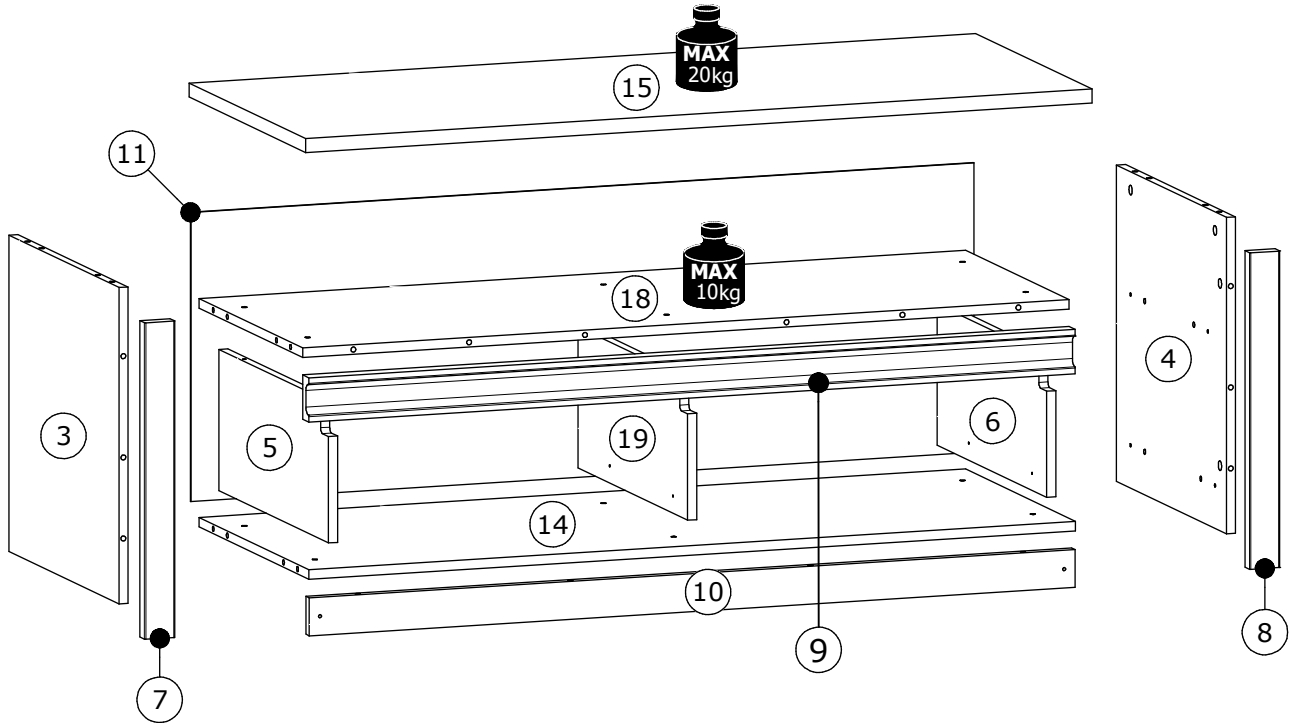
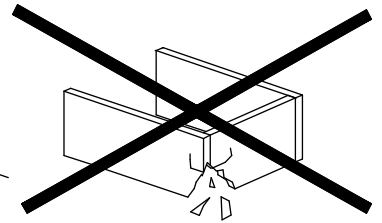
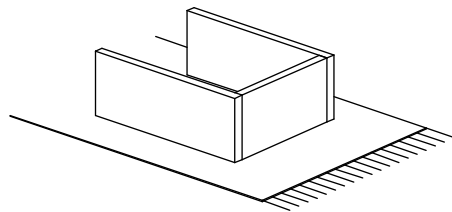
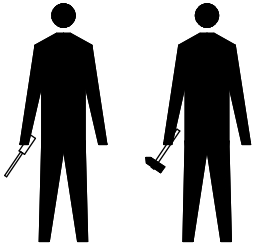


Ø8x1,5mm

Y5 x7



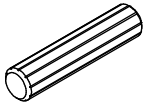
Ø15x20mm



No.	L[mm]	W[mm]	H[mm]	PSC	BOX
1	120	400	15	2	1
2	120	400	15	2	1
3	500	500	15	1	1
4	500	500	15	1	1
5	499	223	15	1	1
6	499	223	15	1	1
7	500	50	22	1	1
8	500	50	22	1	1
9	1270	70	28	1	1
10	1269	60	15	1	1
11	1297	457	2,5	1	1
12	594	200	15	1	1
13	594	200	15	1	1
14	1270	500	15	1	1
15	1303	530	22	1	1
16	525	120	15	2	1
17	553	408	2,5	2	1
18	1270	471	15	1	1
19	499	223	15	1	1

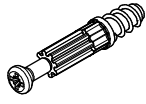
1

A1 x 6

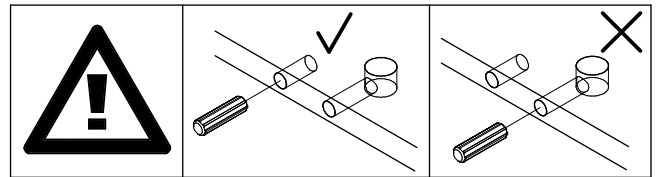
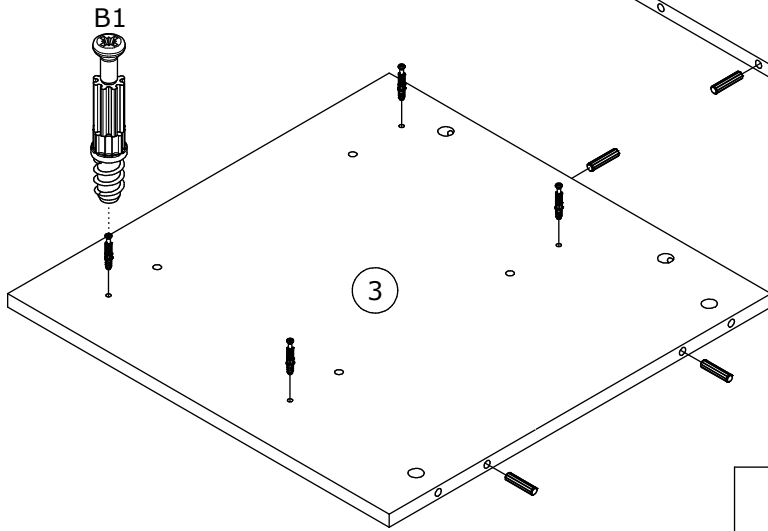
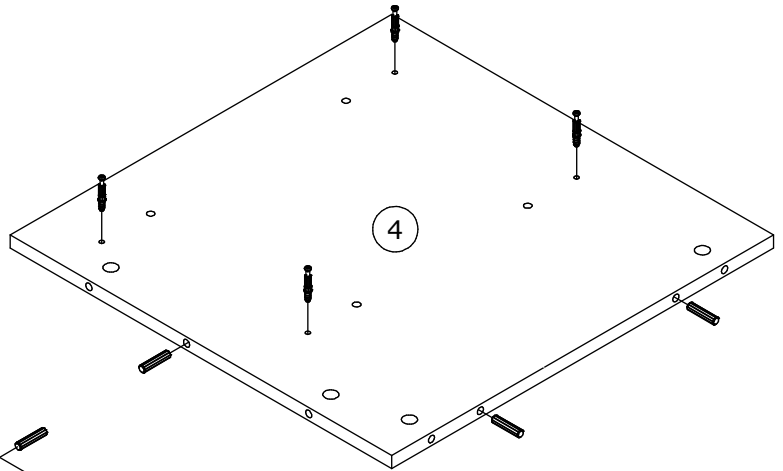
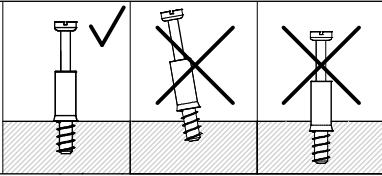
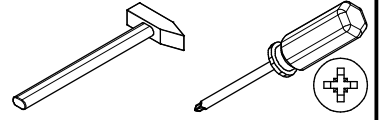


Ø8x35mm

B1 x 8

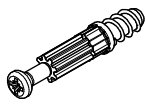


Ø5x38mm

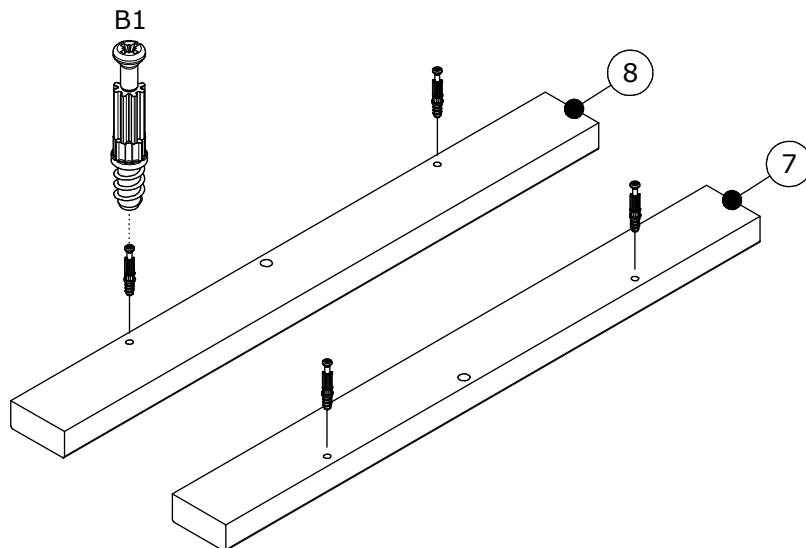
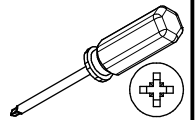


2

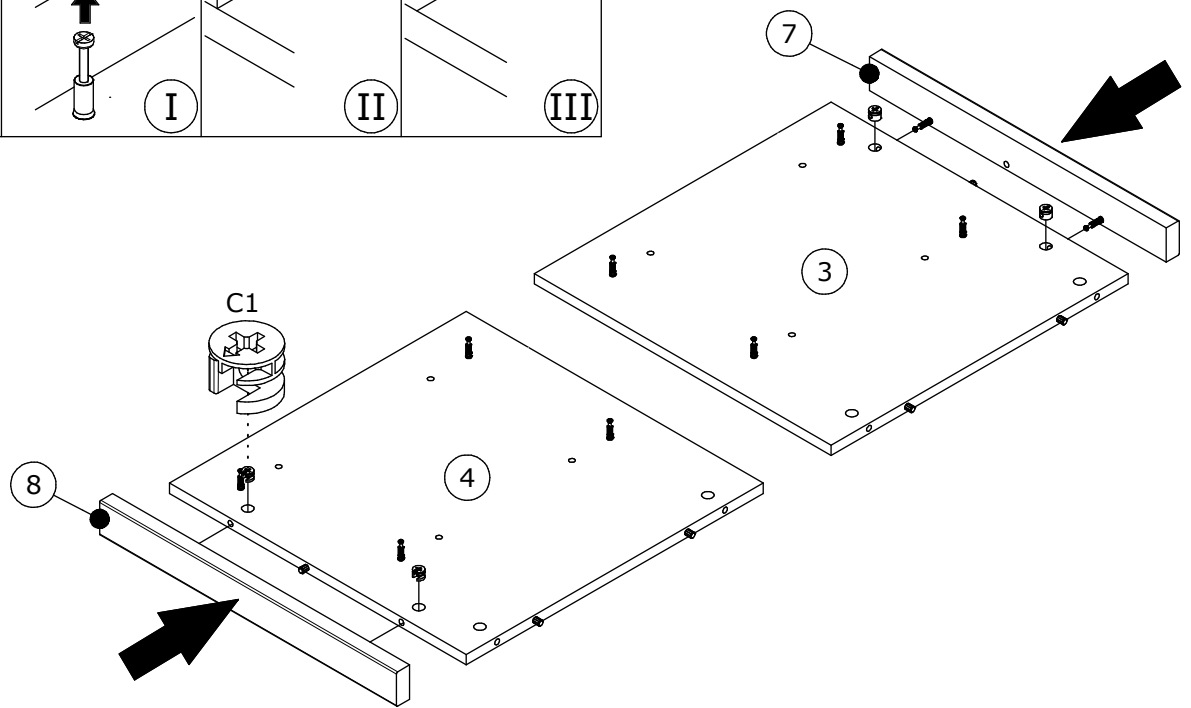
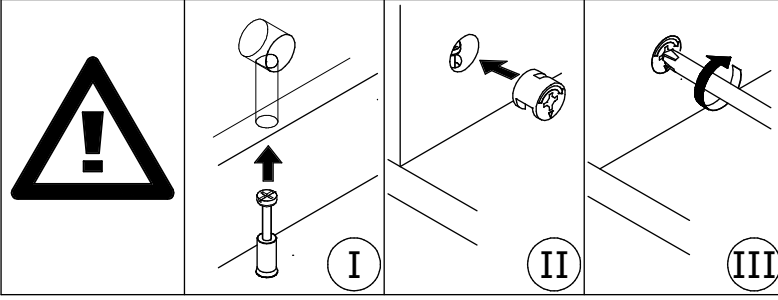
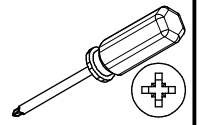
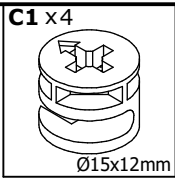
B1 x 4



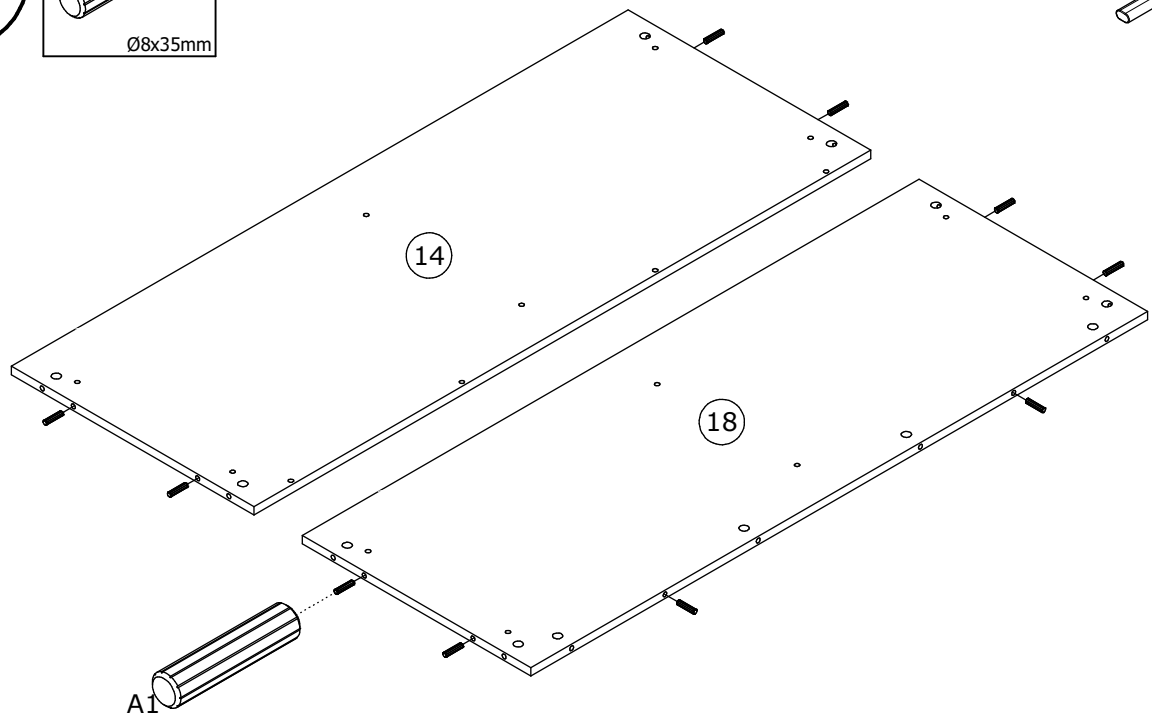
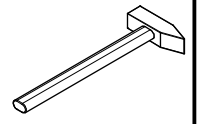
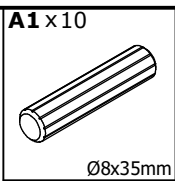
Ø5x38mm



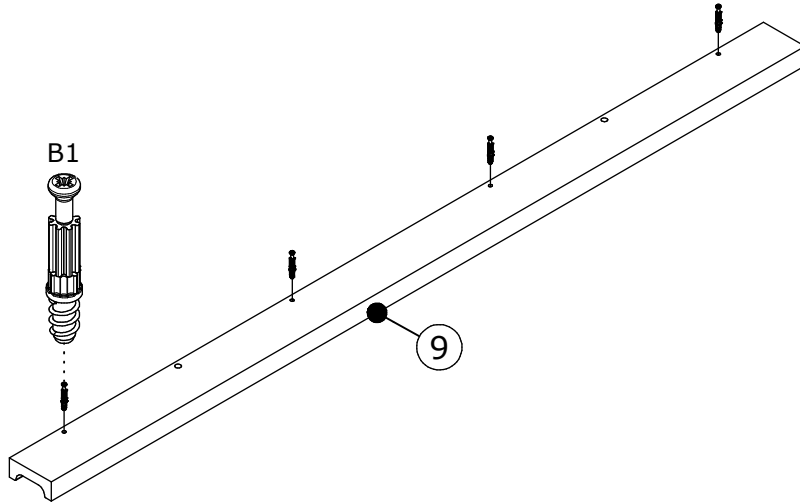
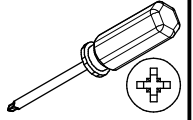
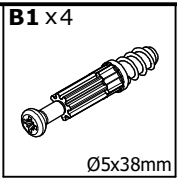
3



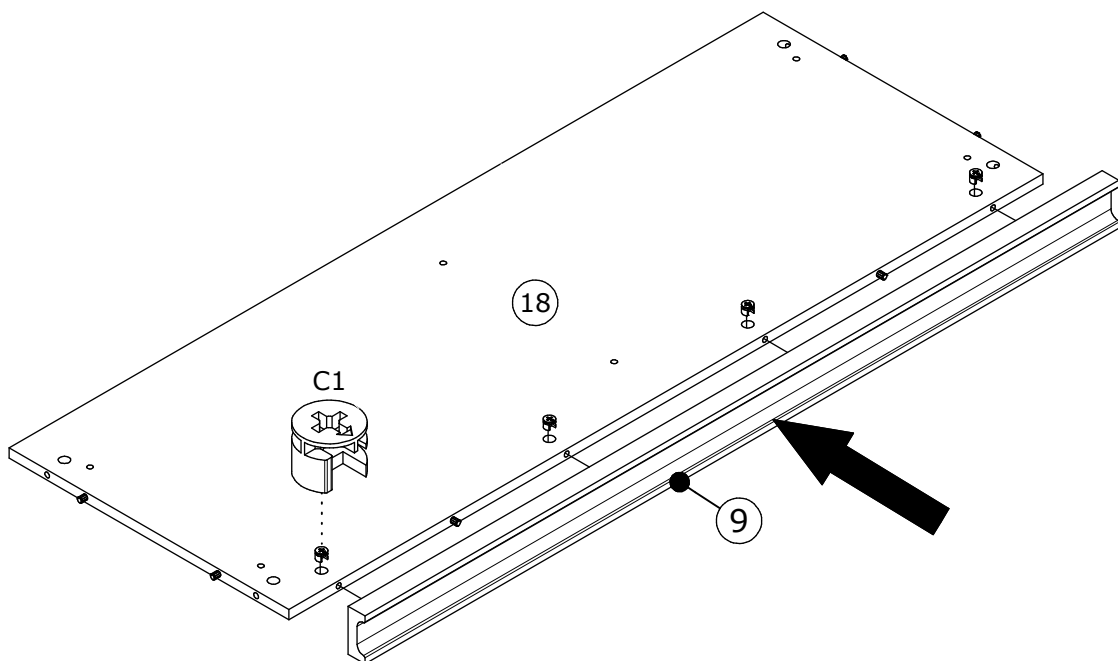
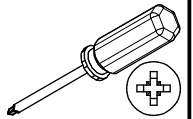
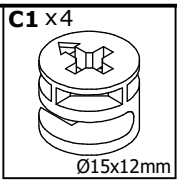
4



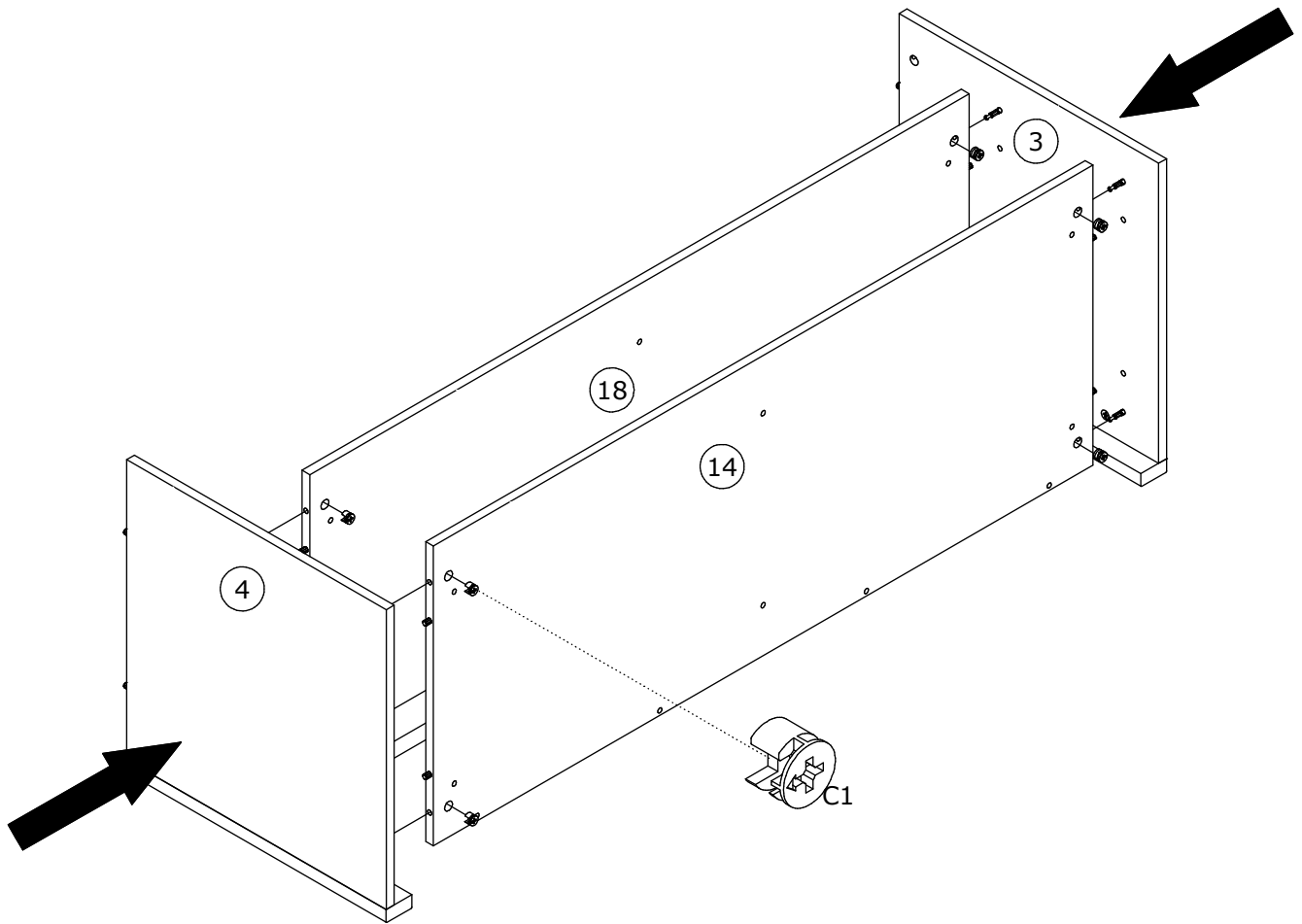
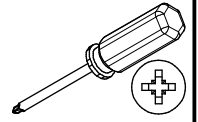
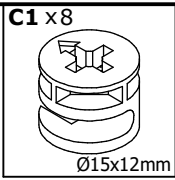
5



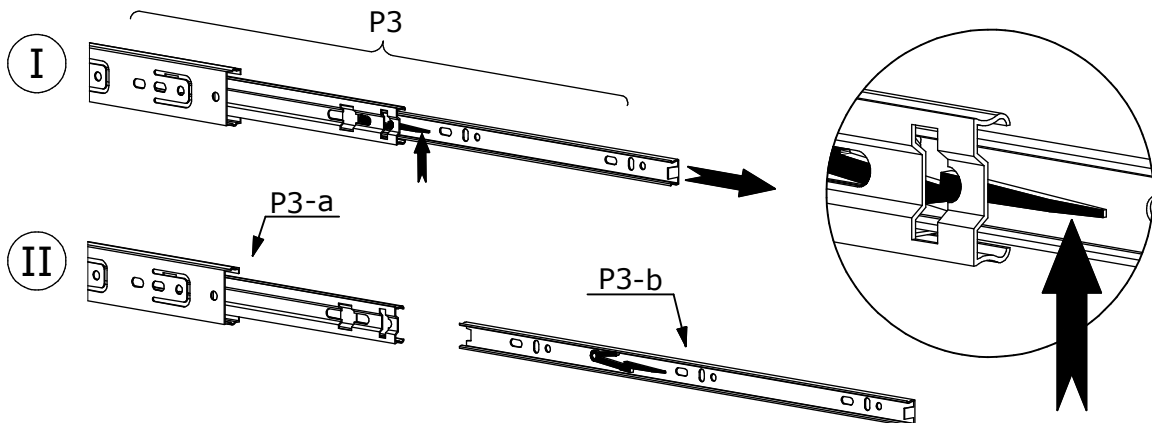
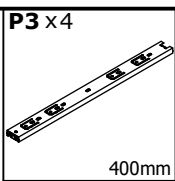
6



7

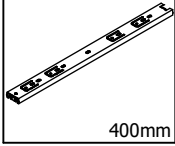


8



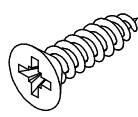
9

P3-a x 2

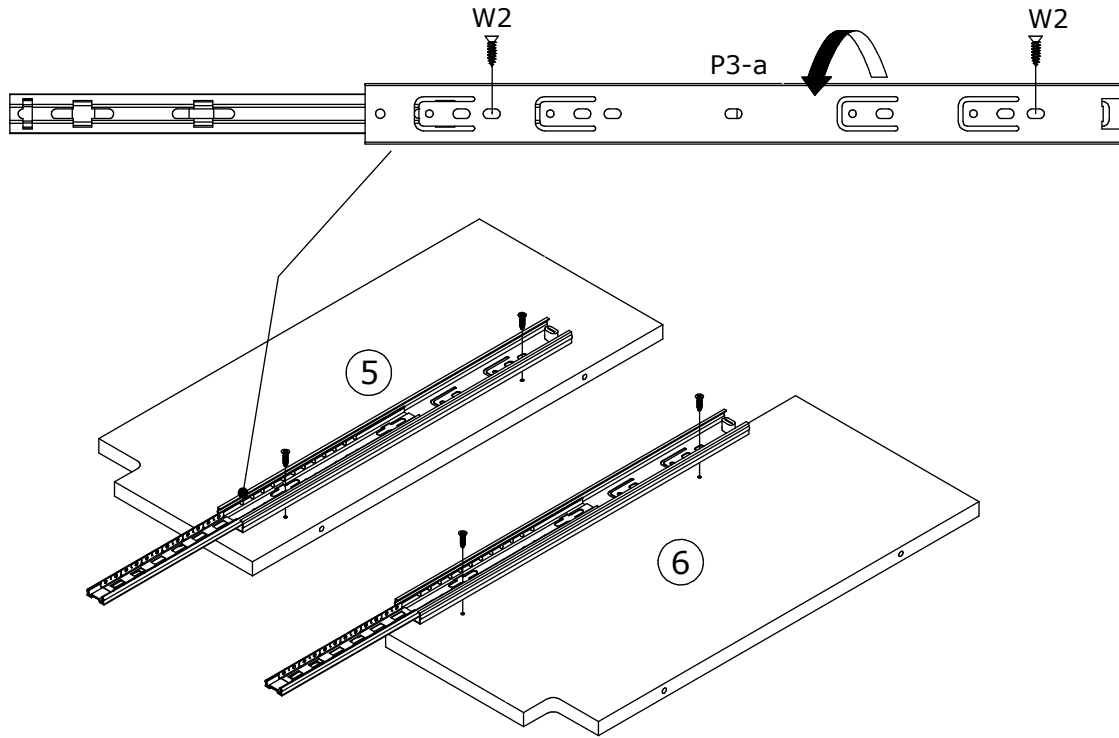
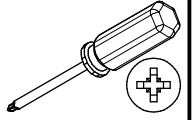


400mm

W2 x 4

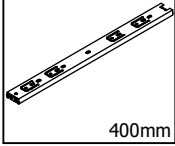


Ø3,5x16mm



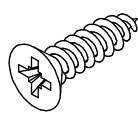
10

P3-a x 2

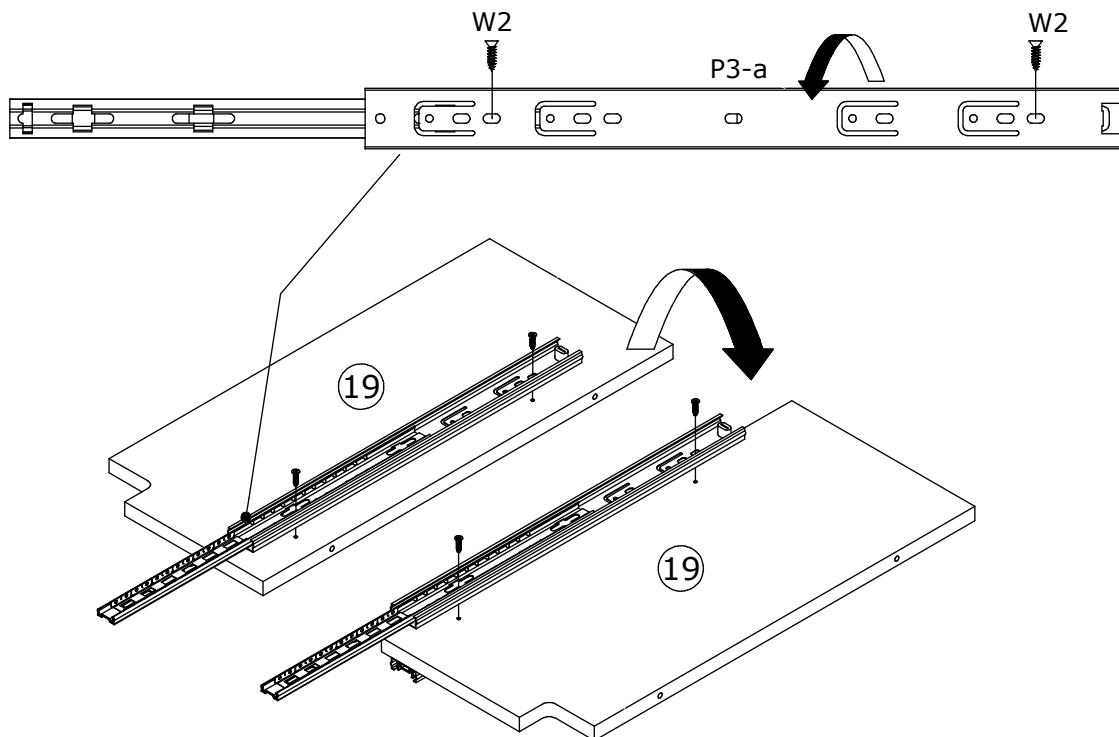
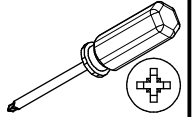


400mm

W2 x 4

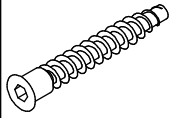


Ø3,5x16mm



11

K1 x12

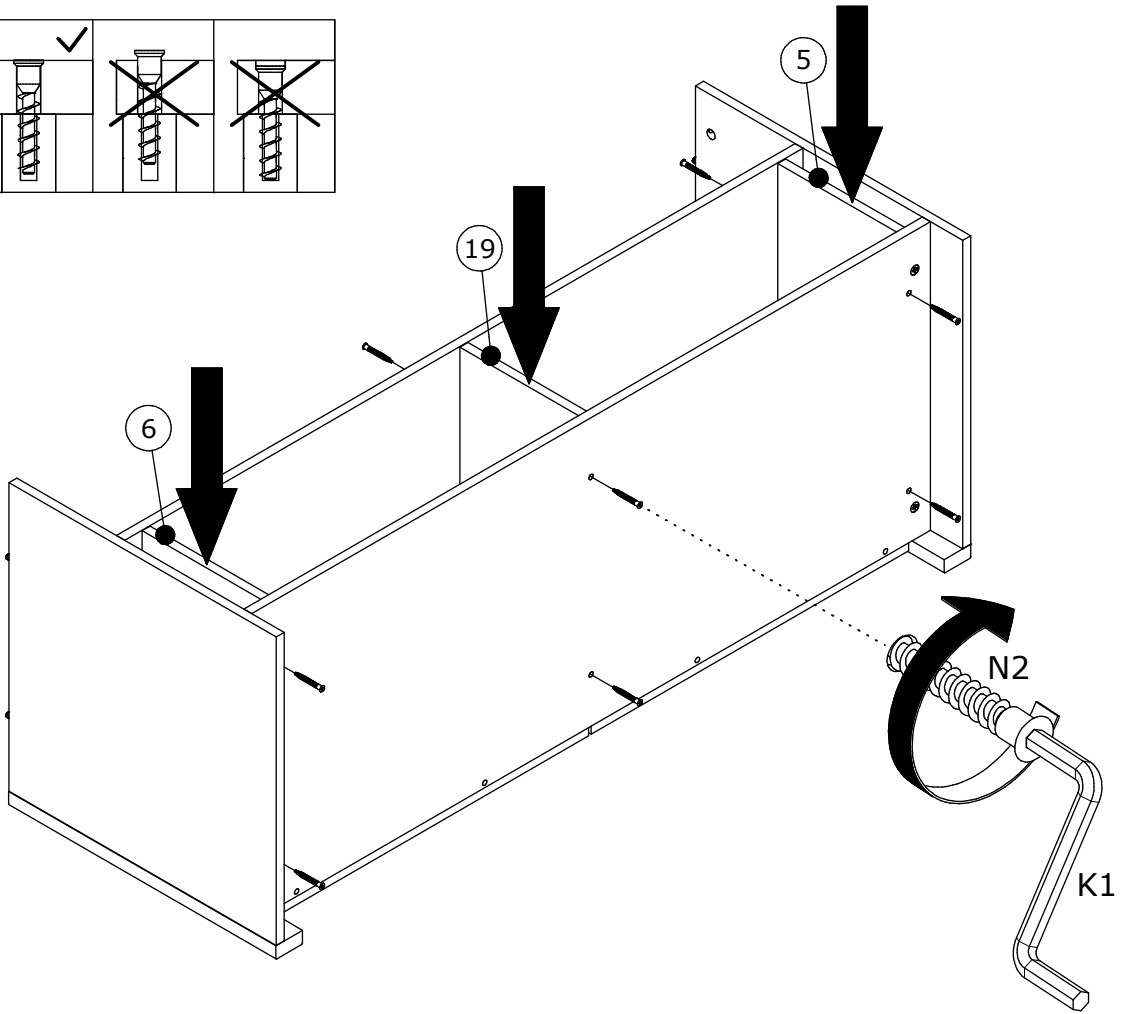
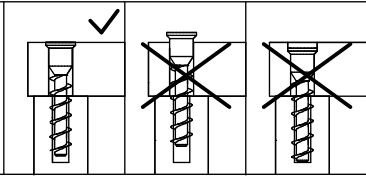


Ø6,4x50mm

N2 x1

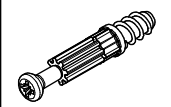


4mm HEX

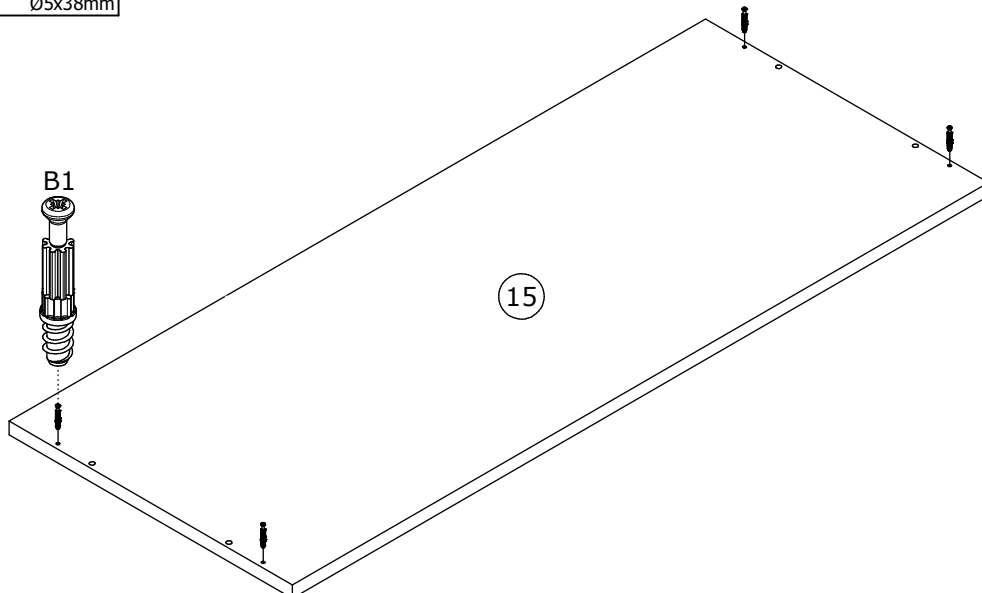
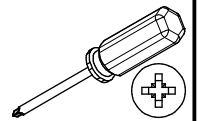


12

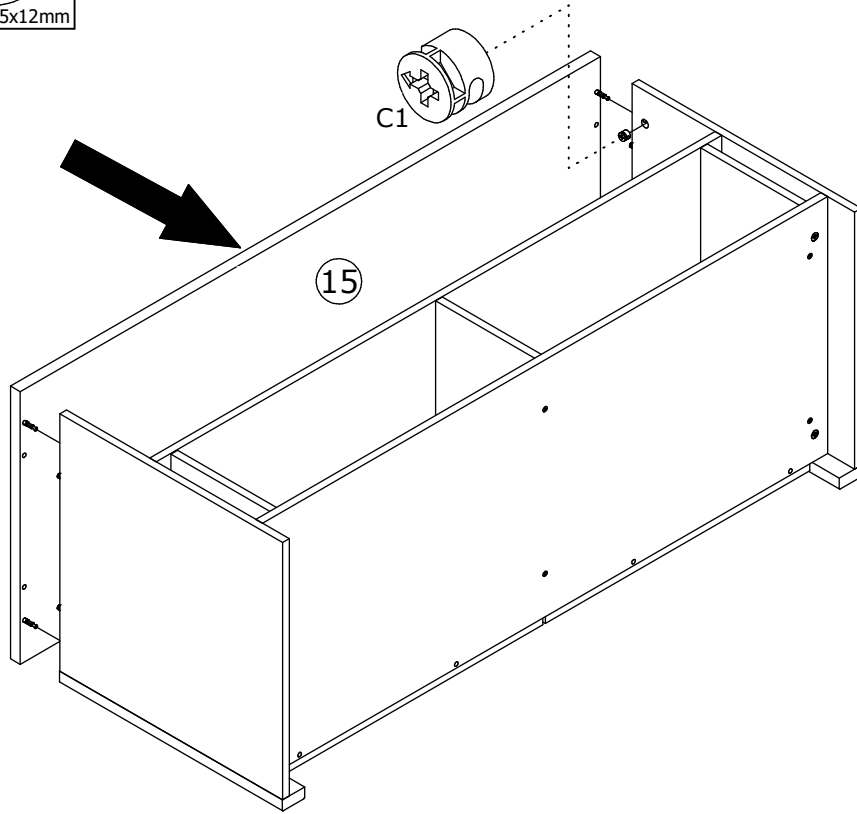
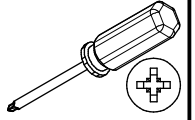
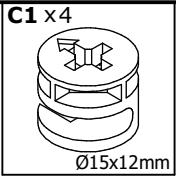
B1 x4



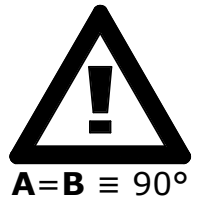
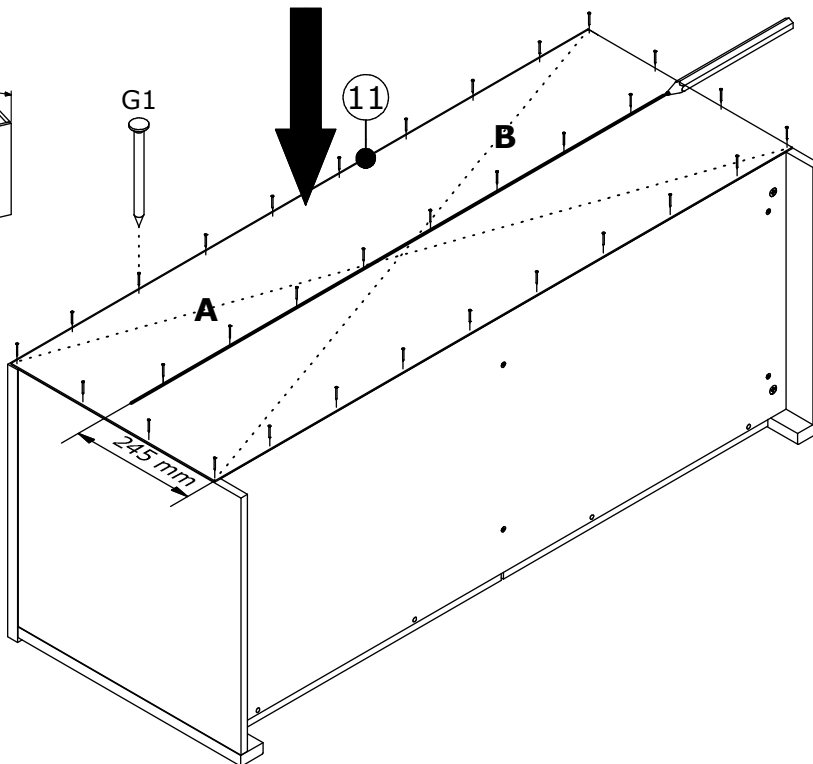
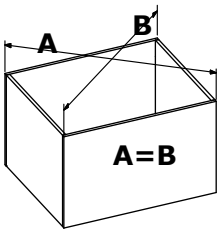
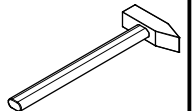
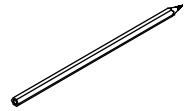
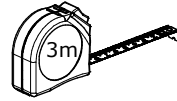
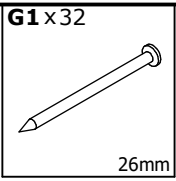
Ø5x38mm



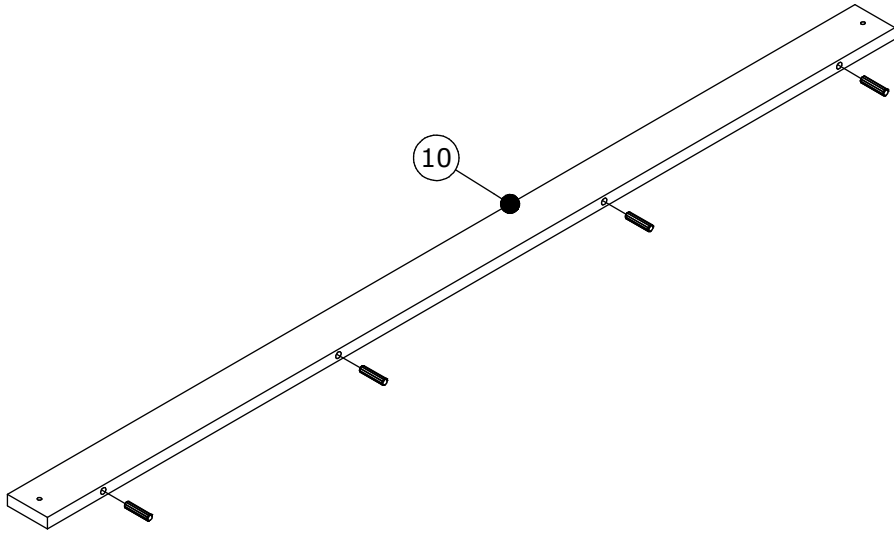
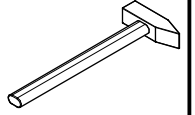
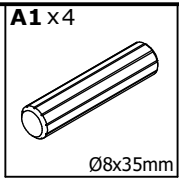
13



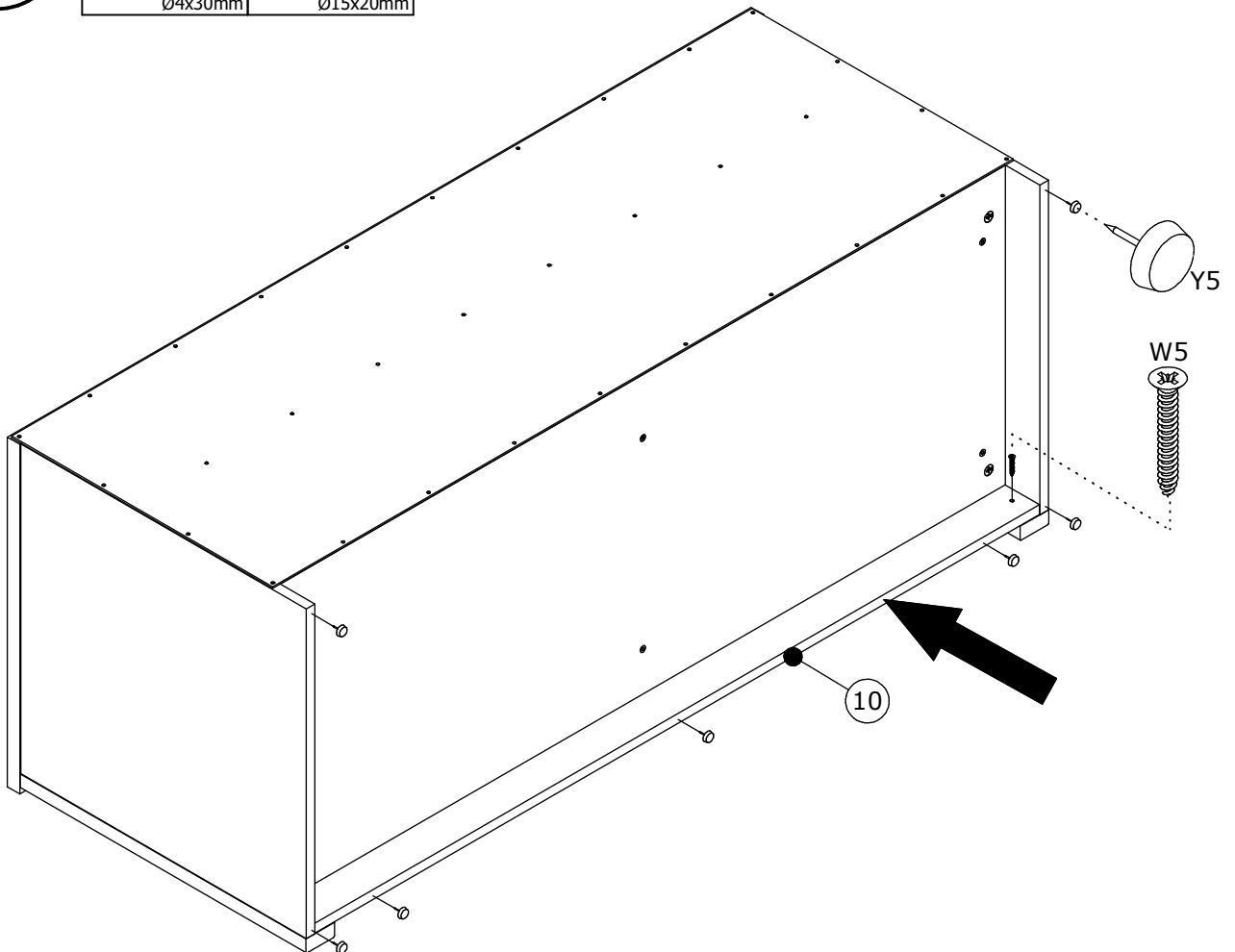
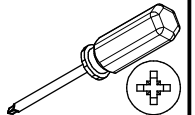
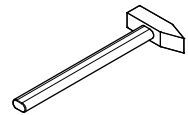
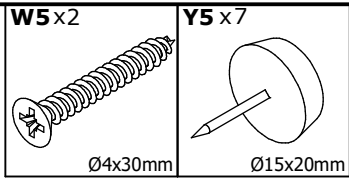
14



15

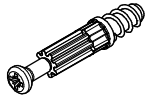


16

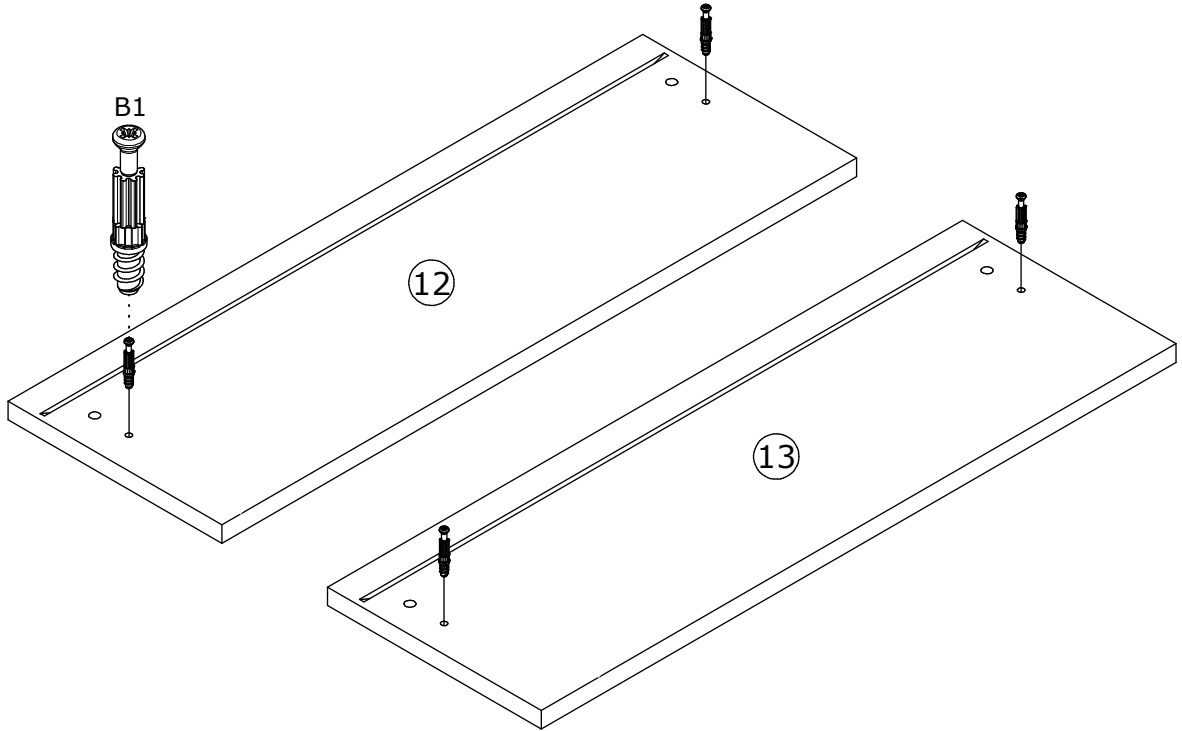
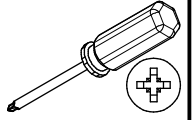


17

B1 x4

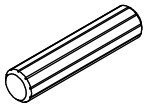


Ø5x38mm

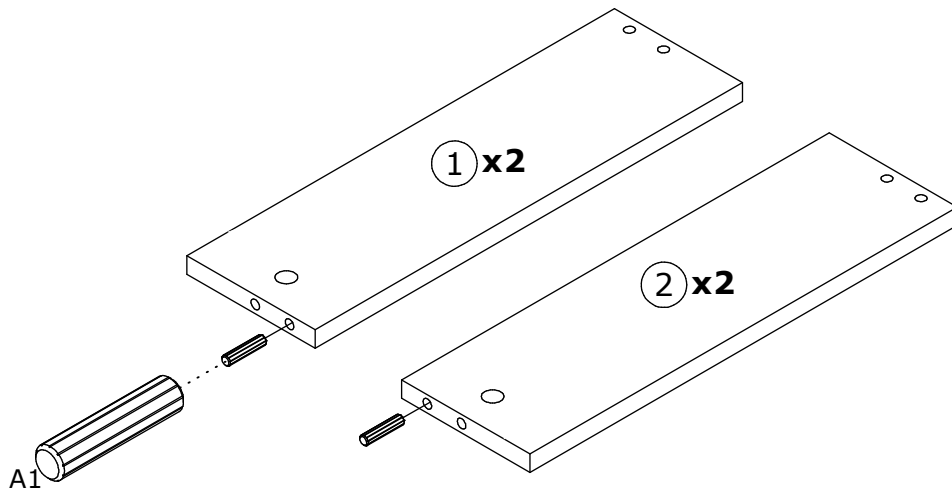
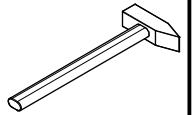


18

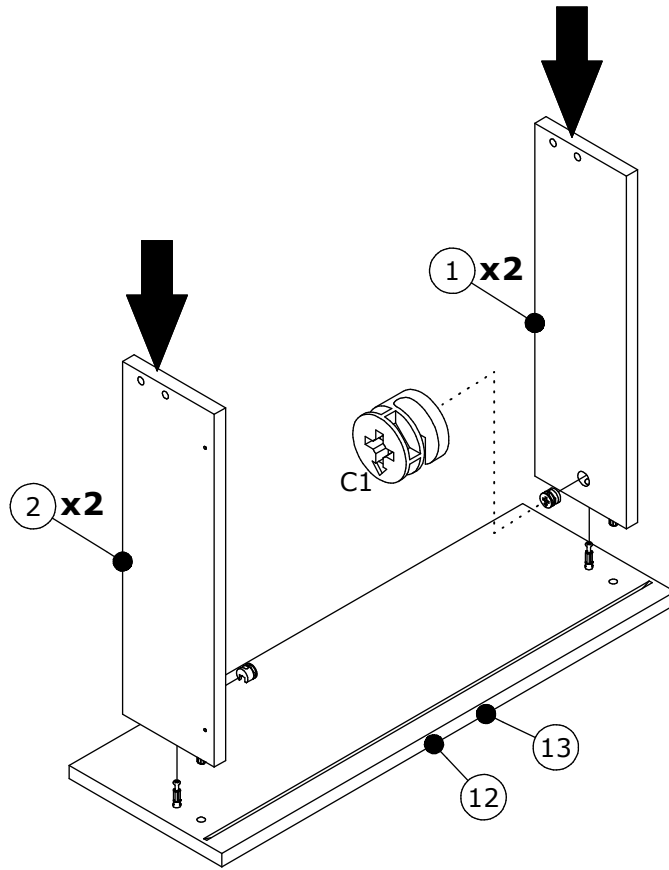
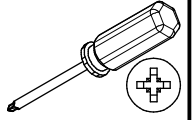
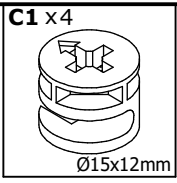
A1 x4



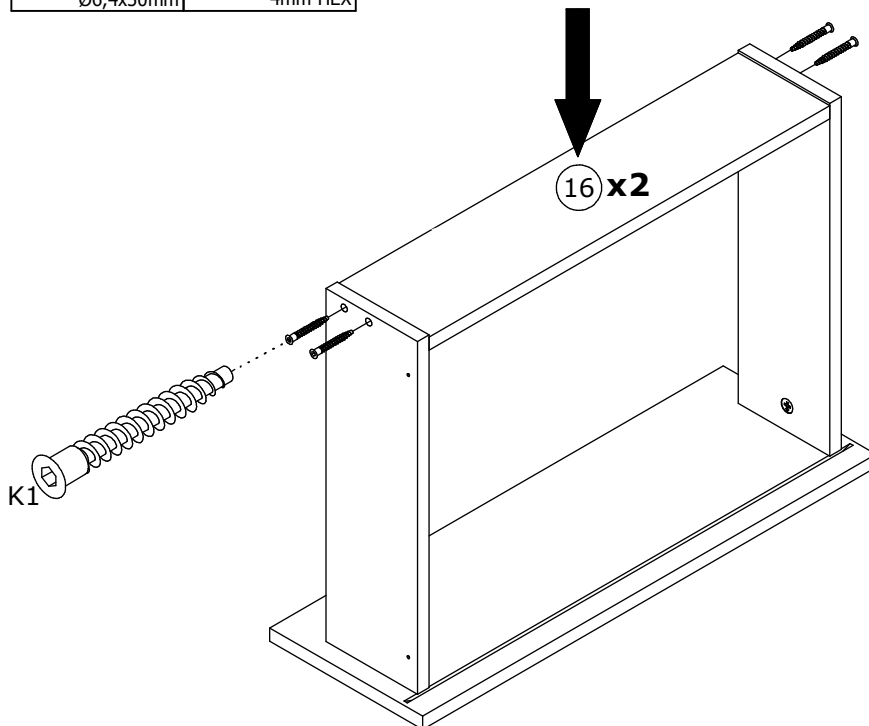
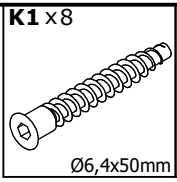
Ø8x35mm



19

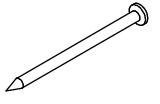


20

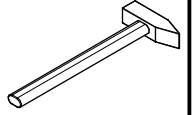
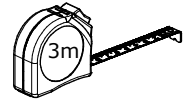


21

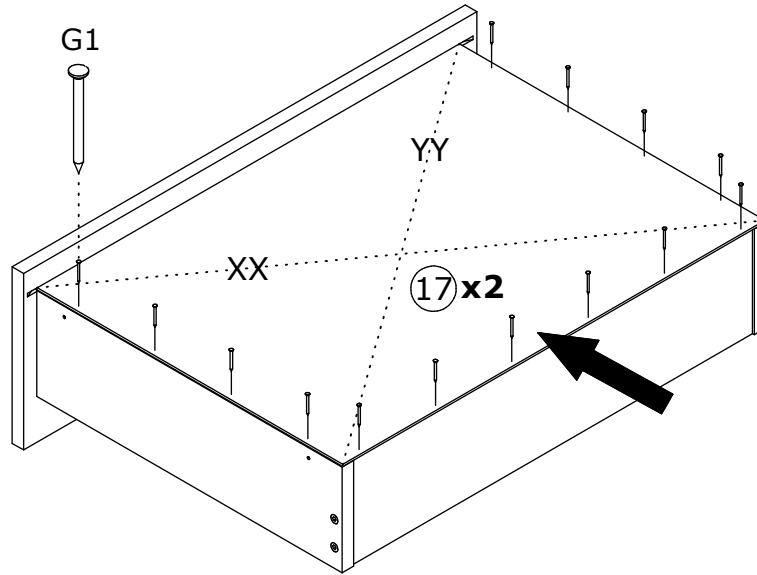
G1x28



26mm



A=B ≡ 90°



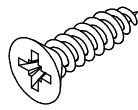
22

P3-bx4

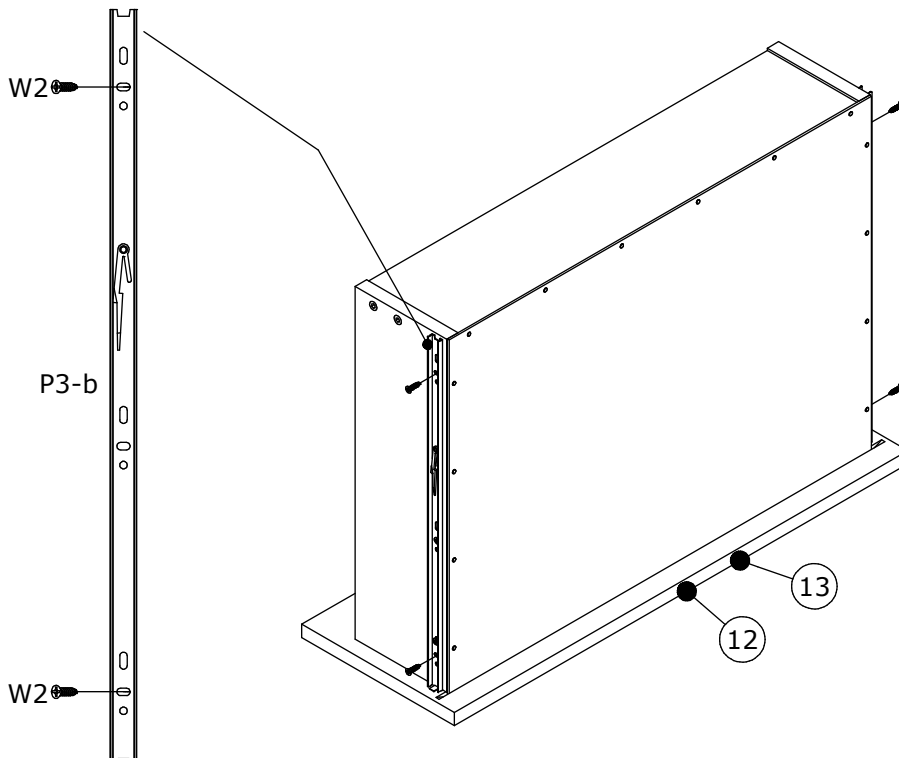
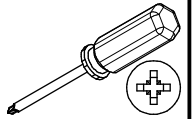


400mm

W2x8

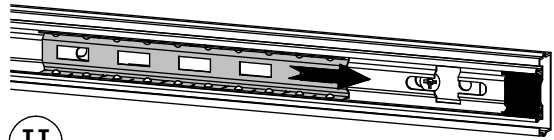


Ø3,5x16mm

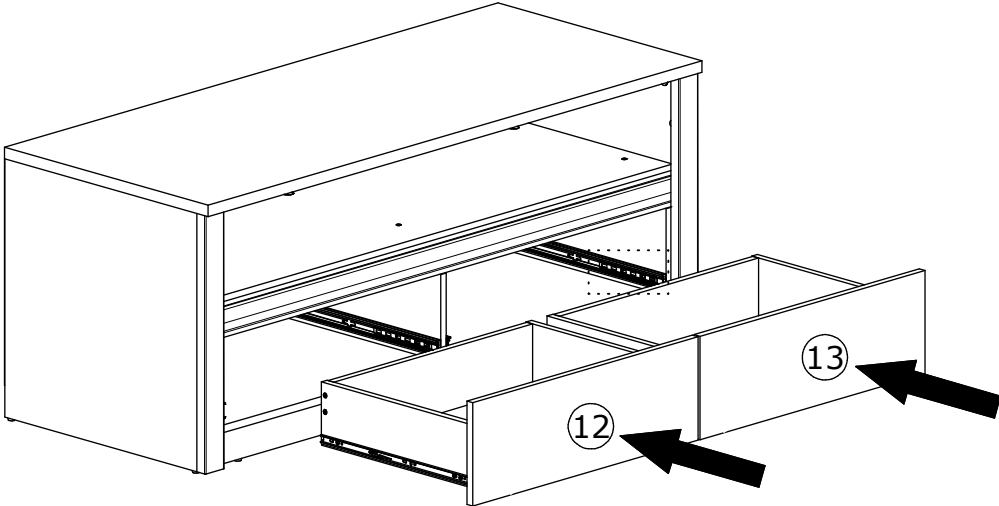
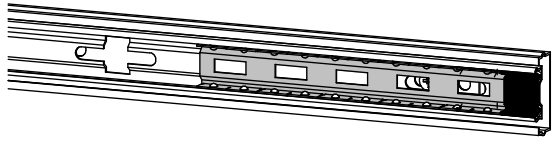


23

I



II

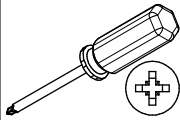


24

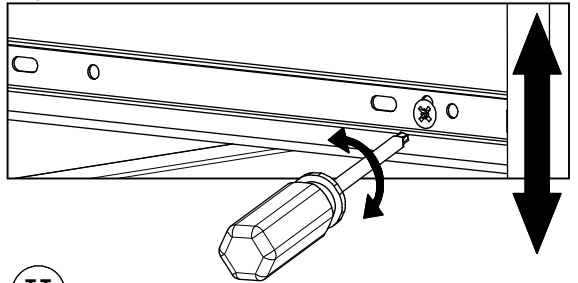
W2x4



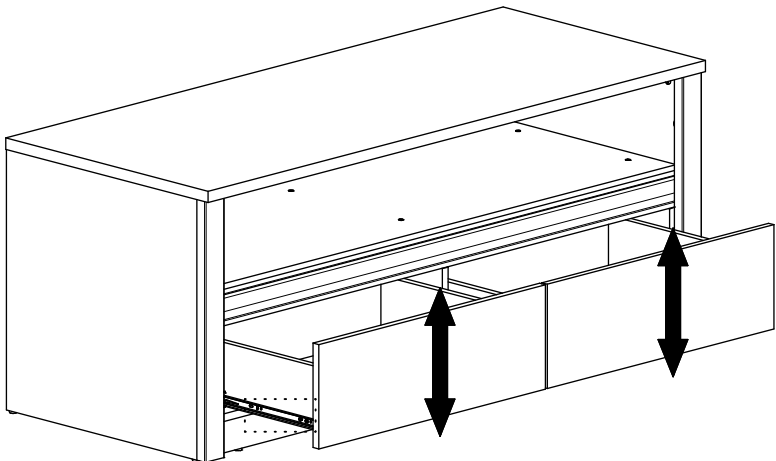
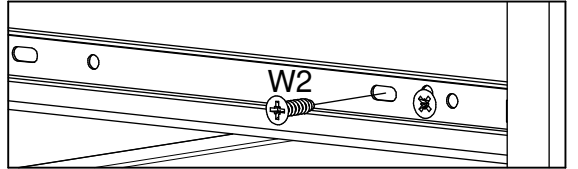
Ø3,5x16mm



I



II



25

