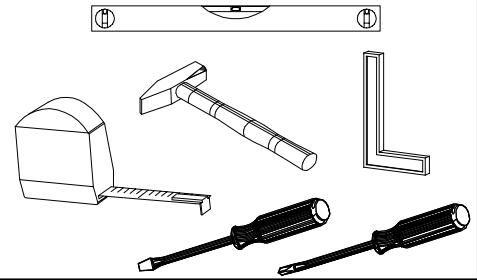
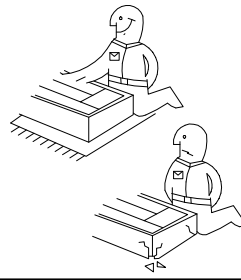
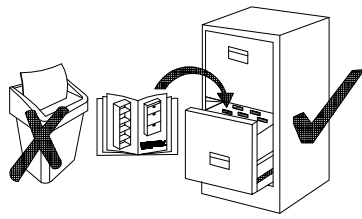
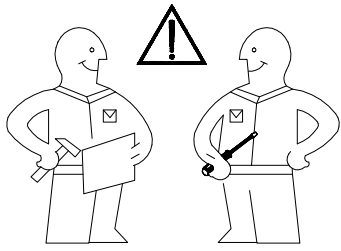
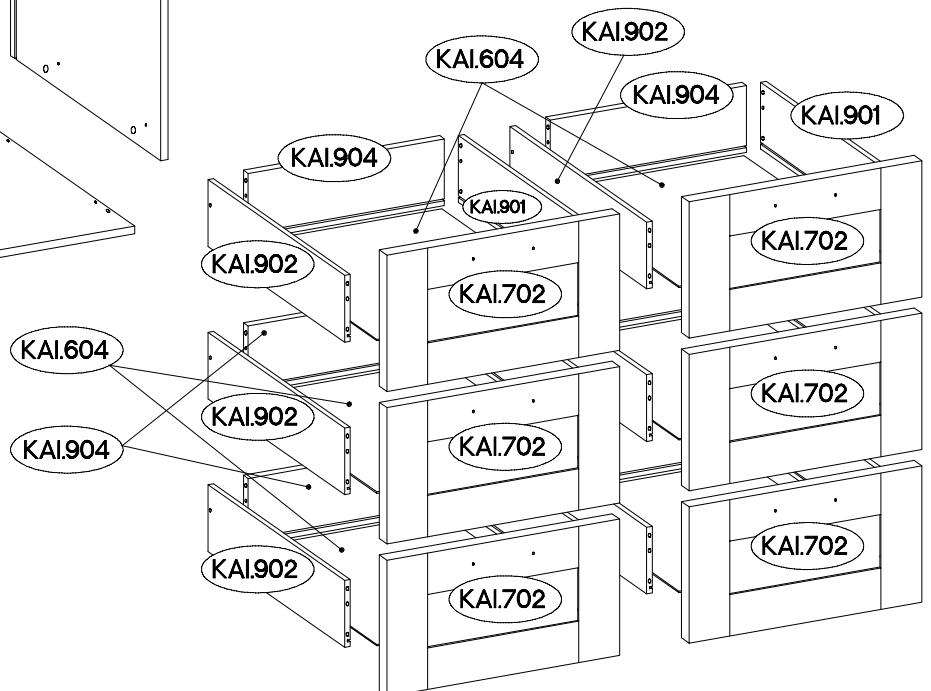
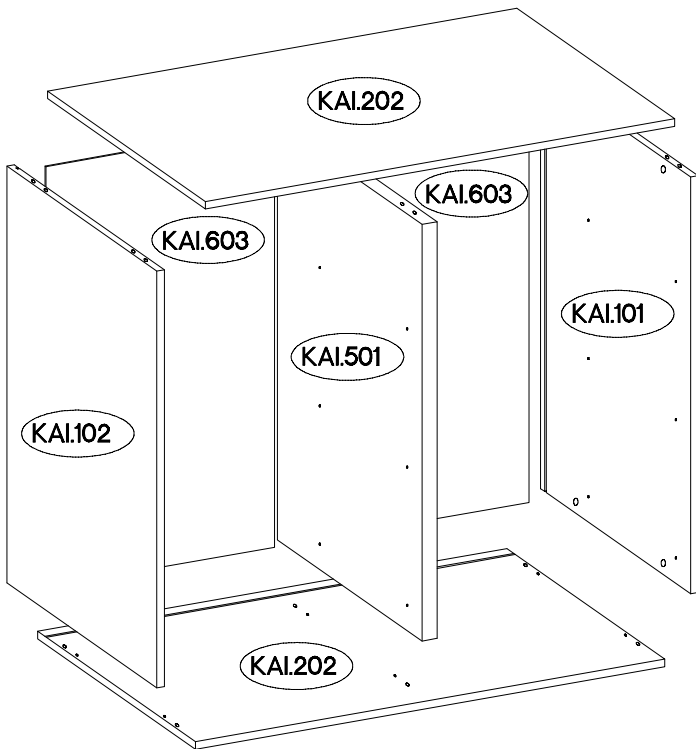


KAPI 120

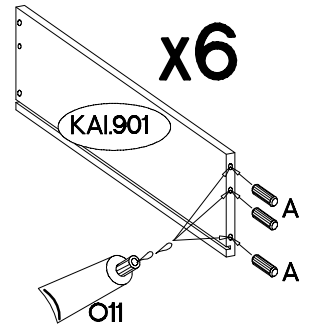
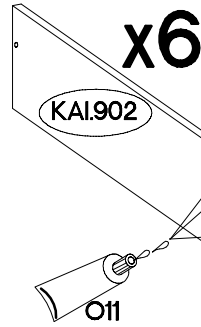
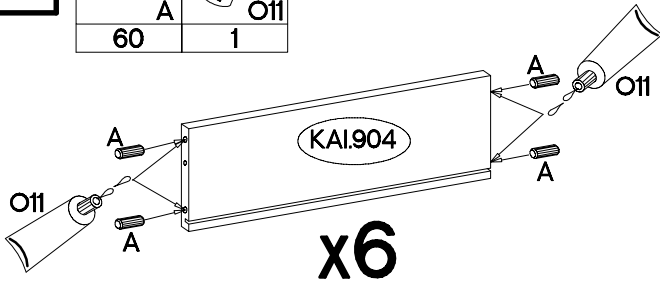


| | | | | | | | | | | |
|----------------|---------------|--------------|-----------------|----------------|-------------|---------------|----|------------------|-----|----|
| #8x30mm A | #15/12mm C | L=20mm D2 | #3.5x13mm P5 | #10x50mm O7 | 0,05 O11 | #6x42mm B2 | L9 | #4.0x25mm P14 | F10 | L |
| 72 | 12 | 12 | 38 | 2 | 1 | 12 | 2 | 6 | 6 | 34 |
| #5.0x13mm M | L=350mm I5 | L2 | #3.0x20mm P7 | M4x27mm U8 | S27 | | | | | |
| 24 | 6 | 6 | 6 | 12 | 6 | | | | | |



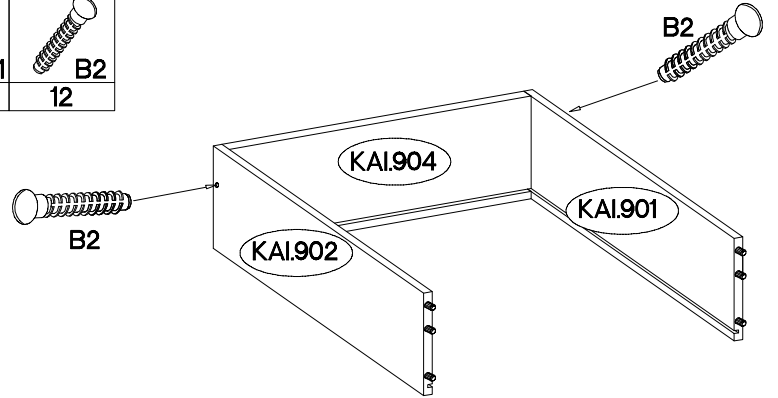
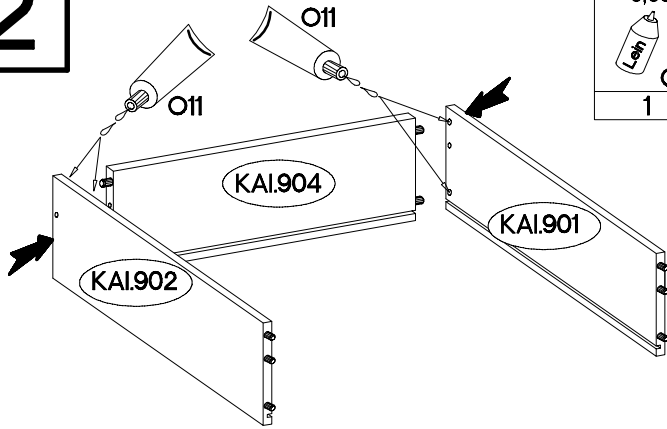
1

| | |
|--------------|-------------|
| +8x30mm A | 0,05 O11 |
| 60 | 1 |

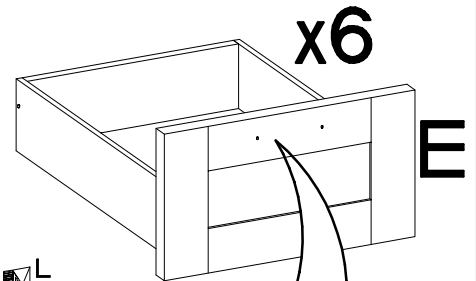
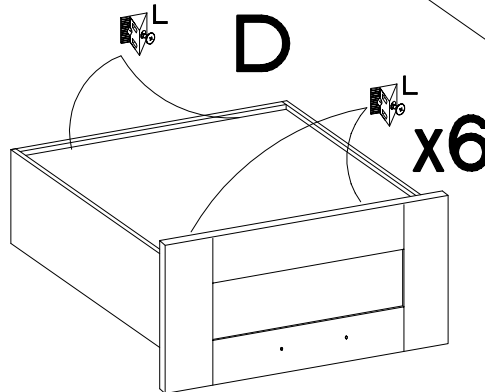
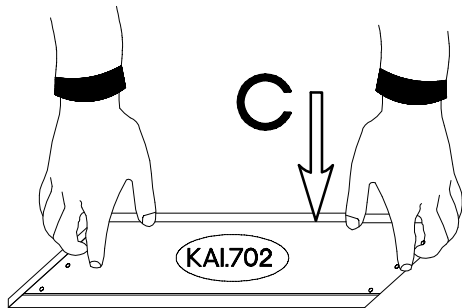
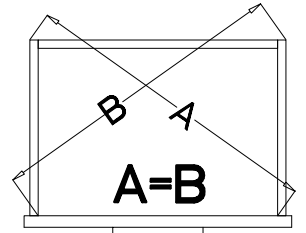
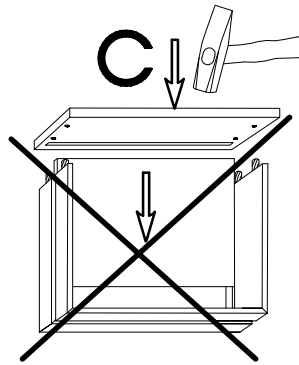
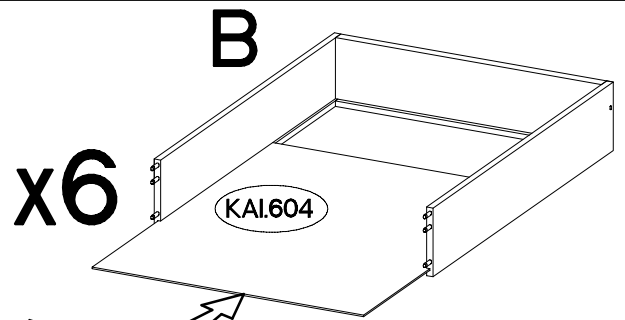
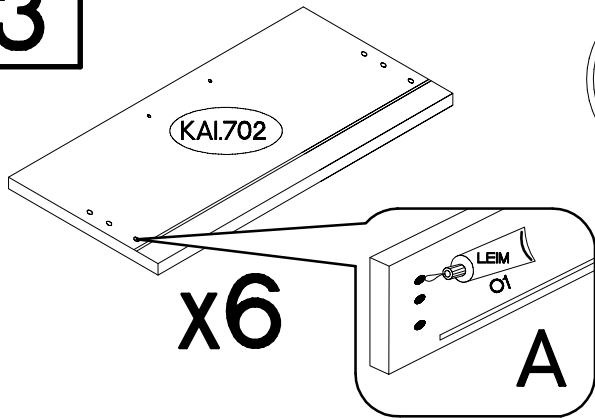


2

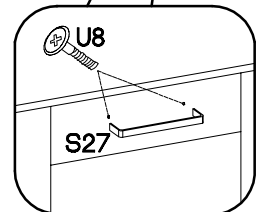
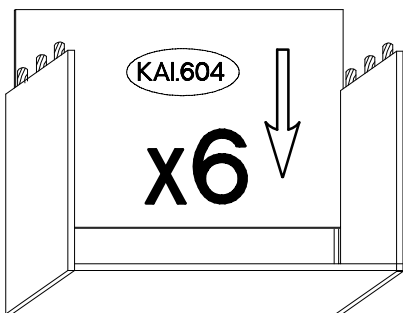
| | |
|---------------------|---------------|
| 0,05 Lehr O11 | +6x42mm B2 |
| 1 | 12 |

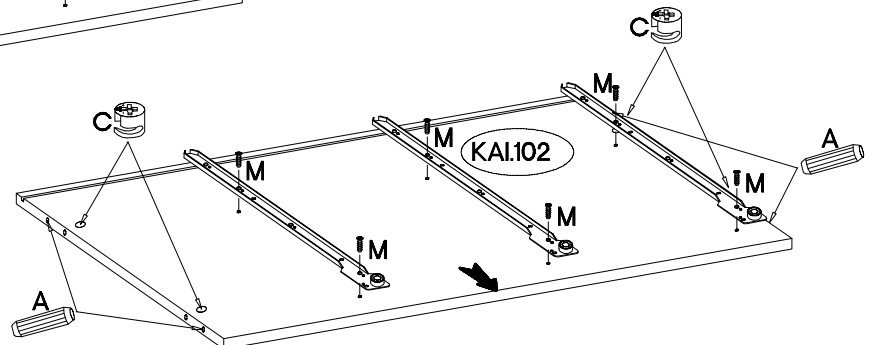
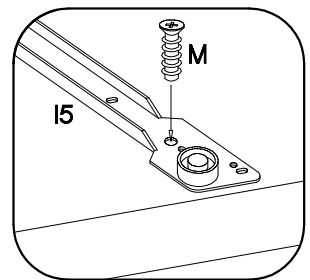
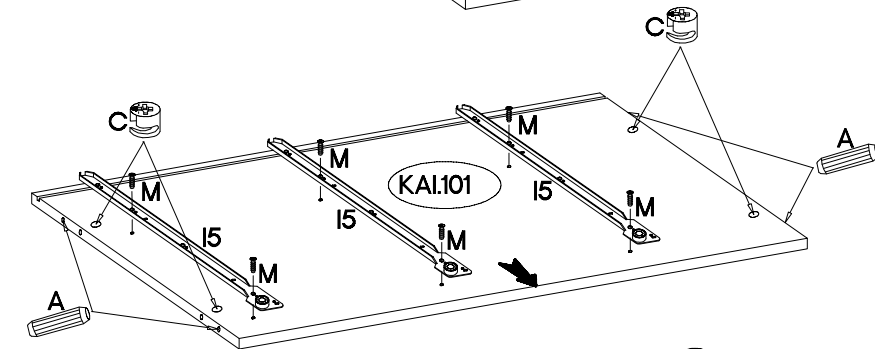
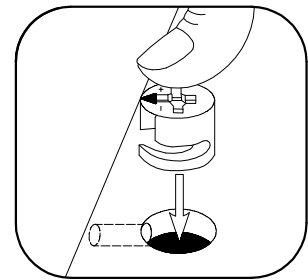
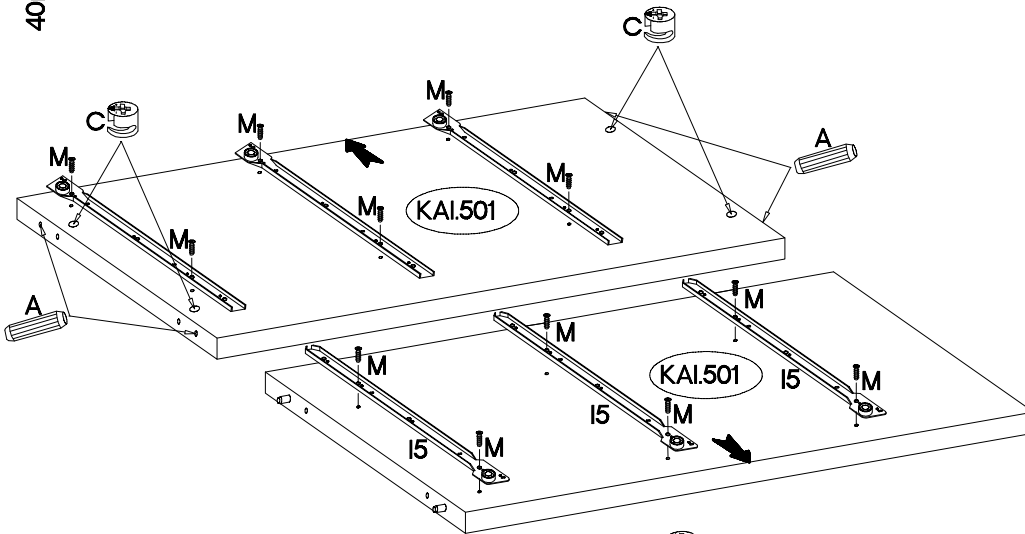
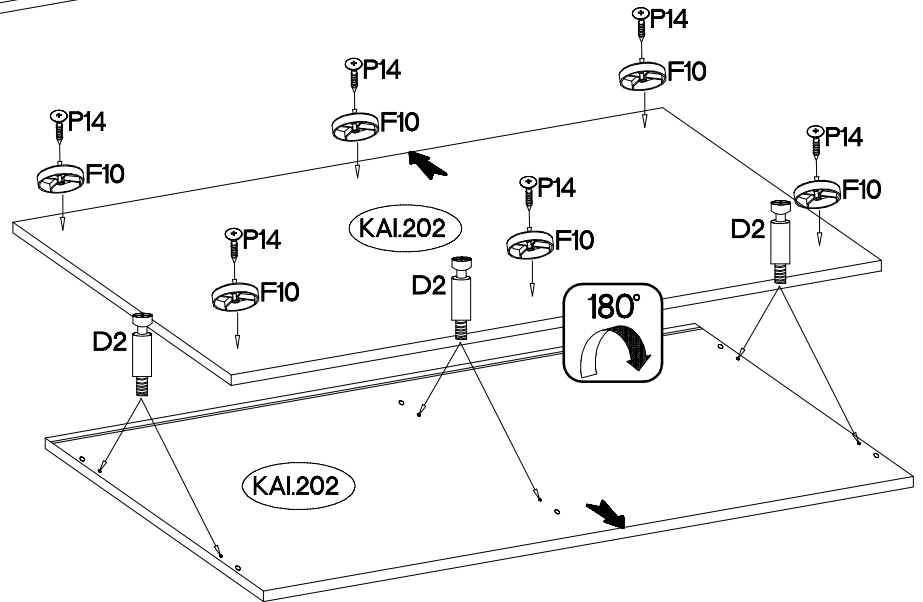
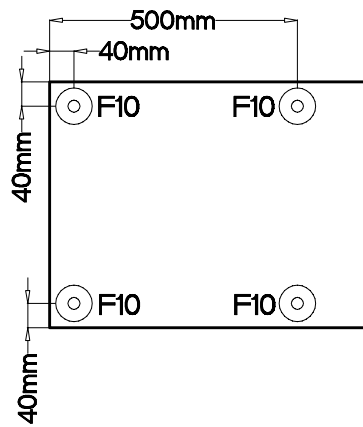
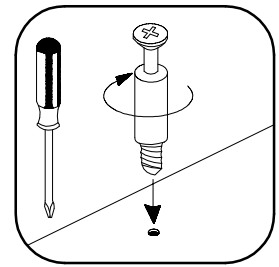
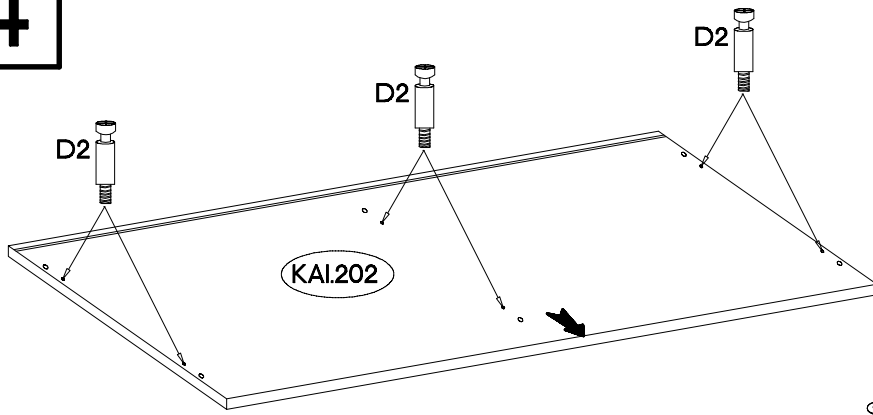









3



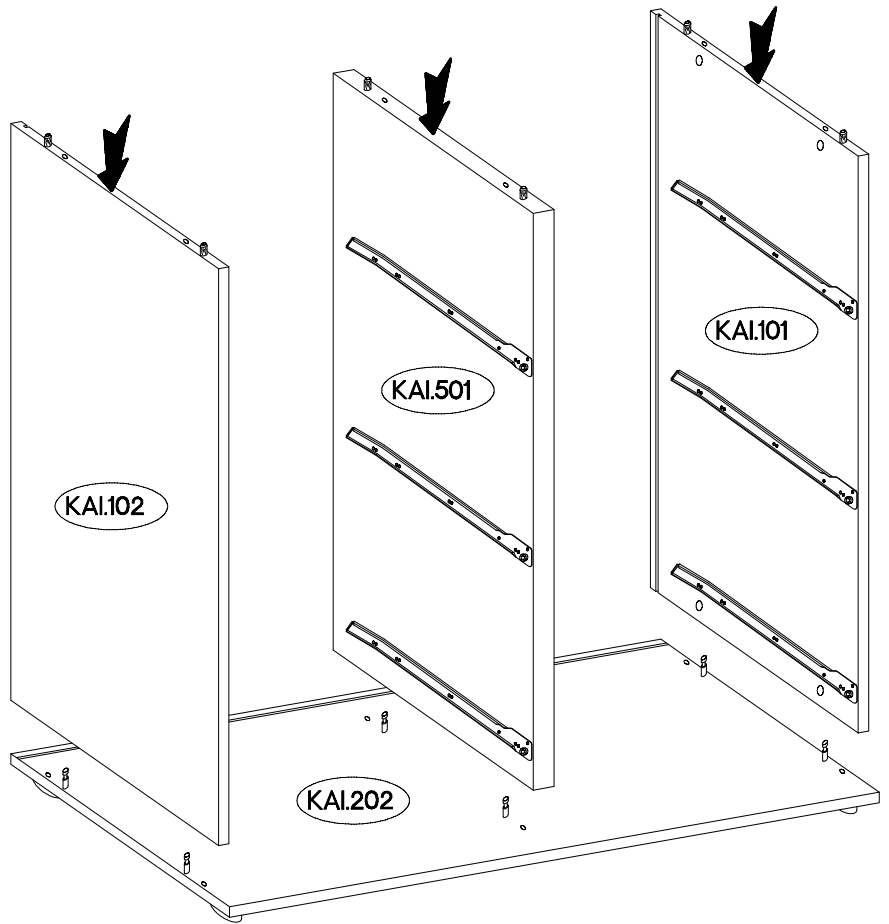
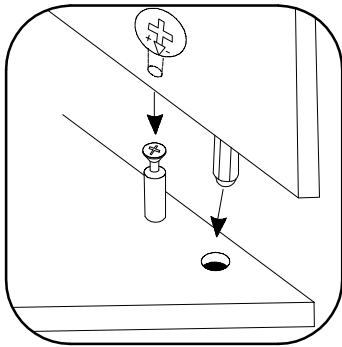
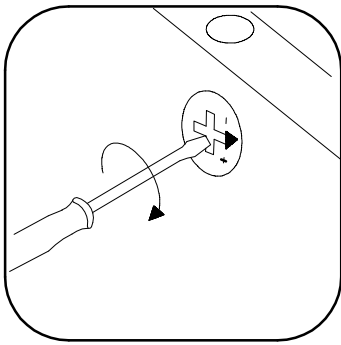
| |
|-------------|
| S27 |
| 6 |
| 0,05 |
| Lehr O11 |
| 1 |
| M4x27mm |
| U8 |
| 12 |
| L |
| 24 |



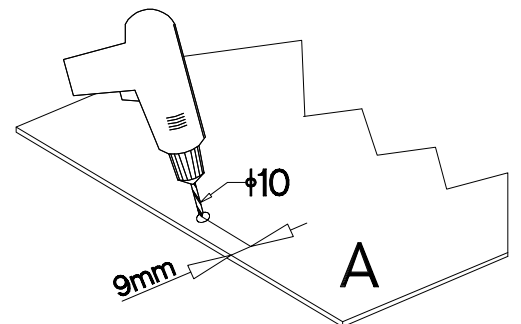
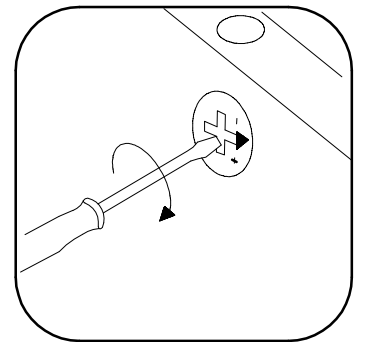
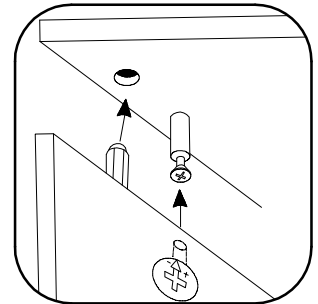
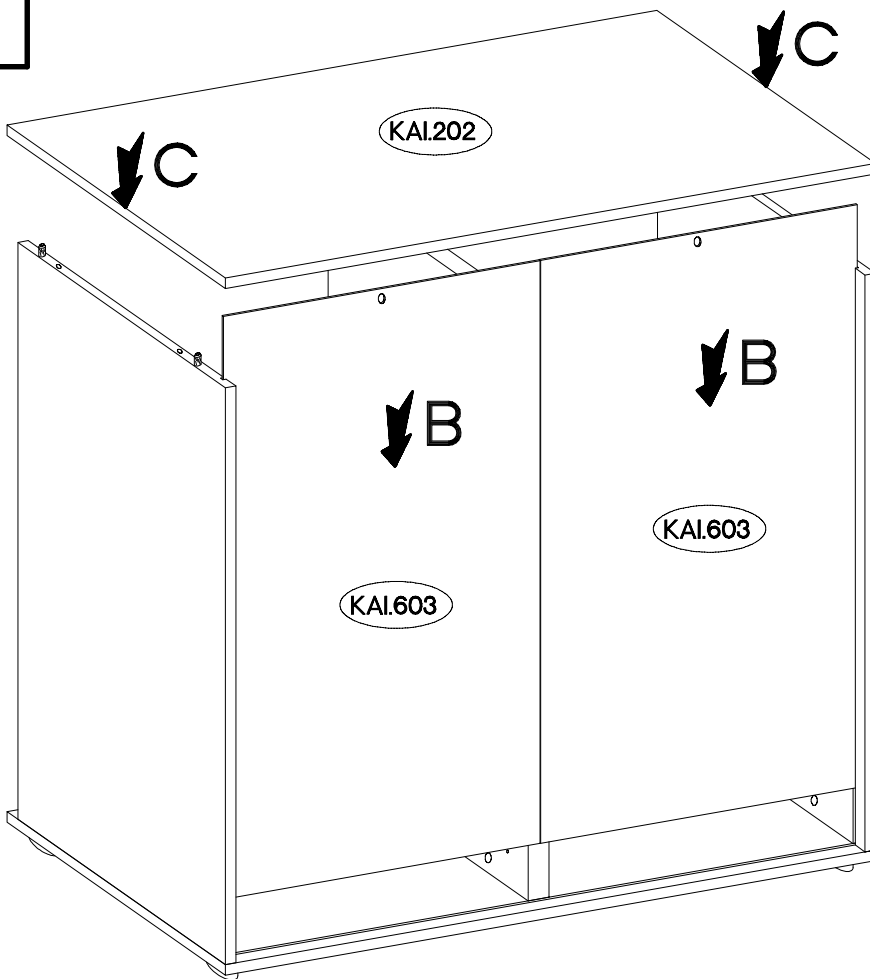


| | | | | |
|--|---|---|---|--|
|  +4.0x25mm P14 |  F10 | | | |
| 6 | 6 | | | |
|  +8x30mm A |  +5/12mm C |  L=20mm D2 |  +5.0x13mm M |  L=350mm I5 |
| 12 | 12 | 12 | 24 | 6 |

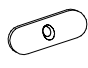

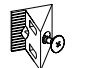
5

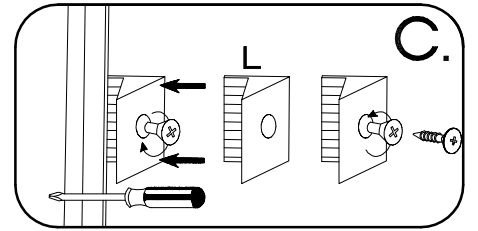
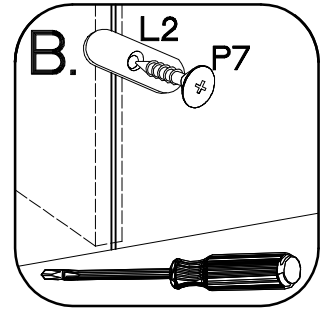
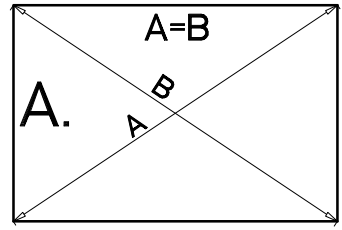
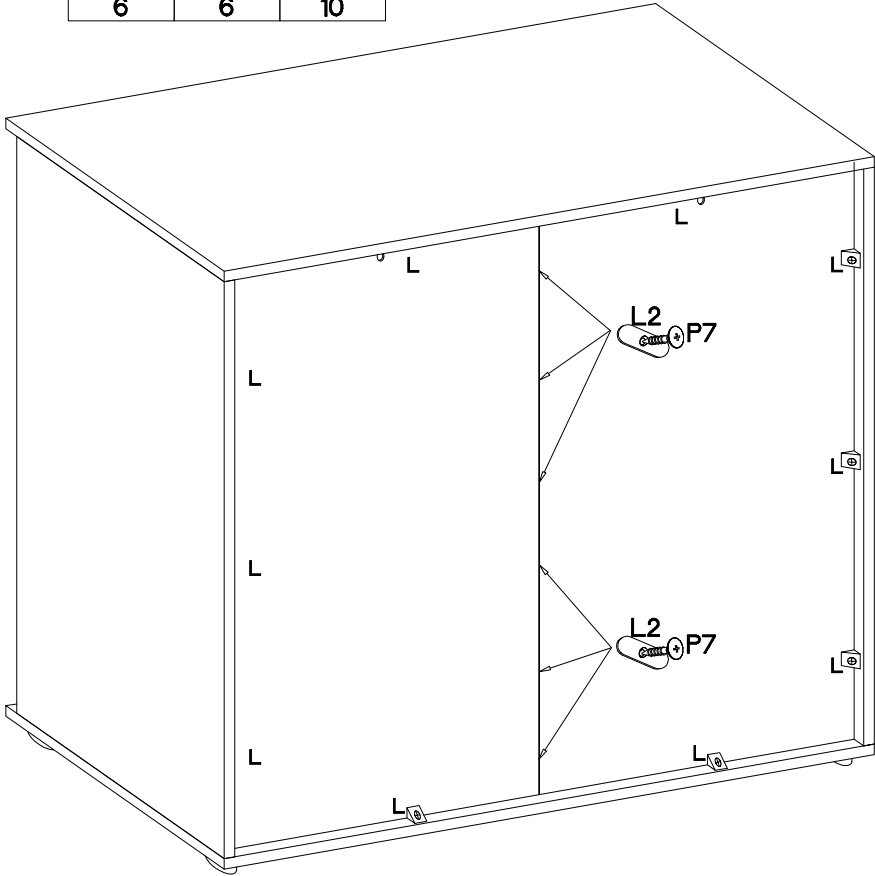


6

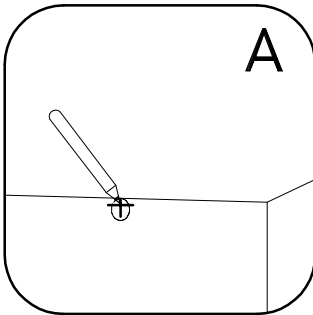





7

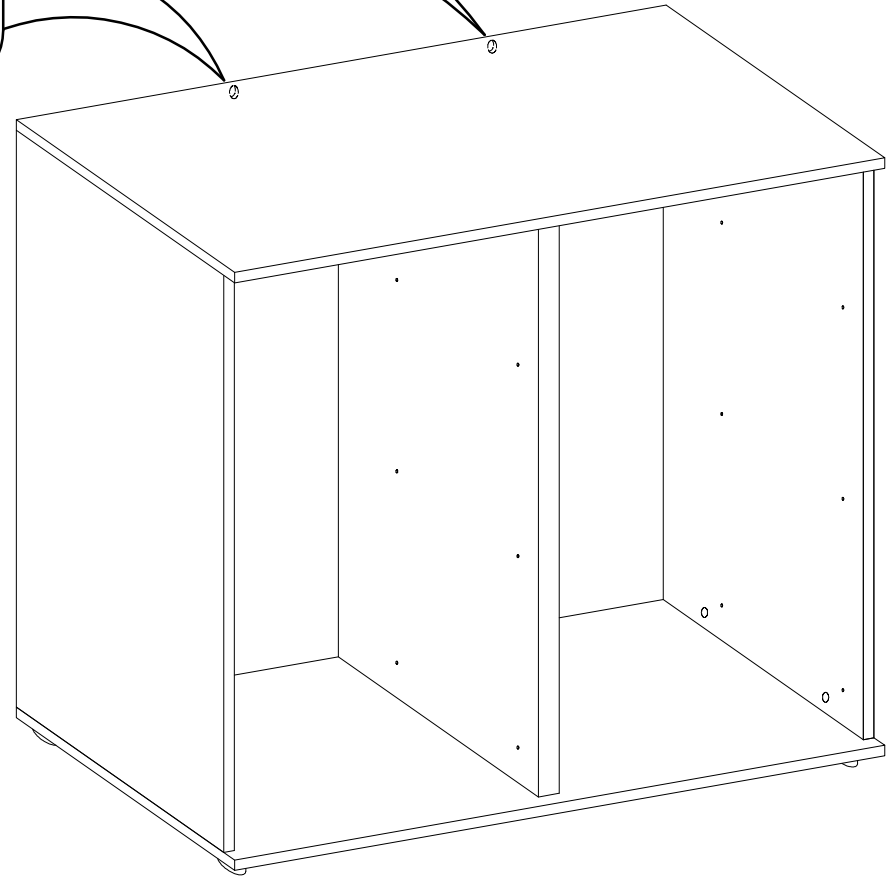
| | | | |
|--|-------------------------------|--|--|
|  | $\pm 3.0 \times 20 \text{mm}$ |  |  |
| L2 | | P7 | L |
| 6 | | 6 | 10 |



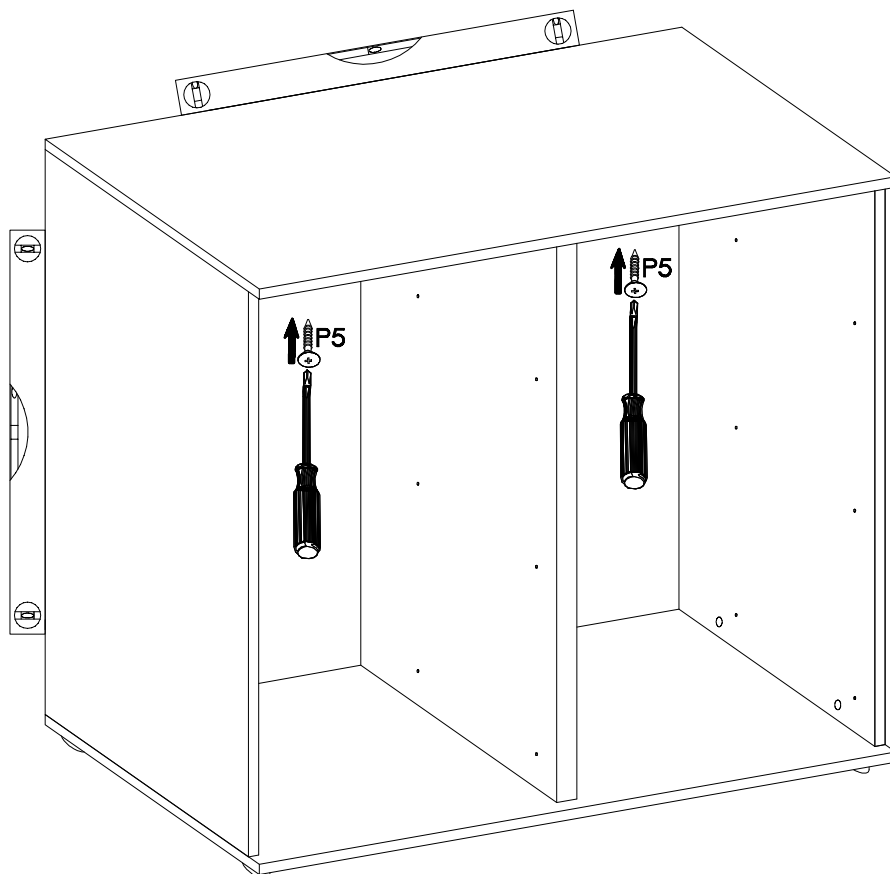
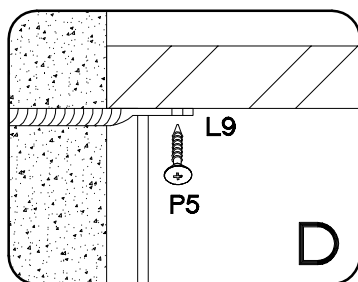
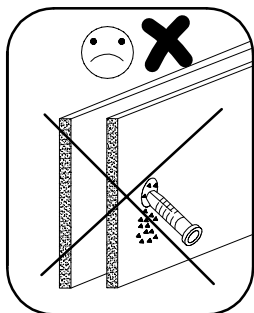
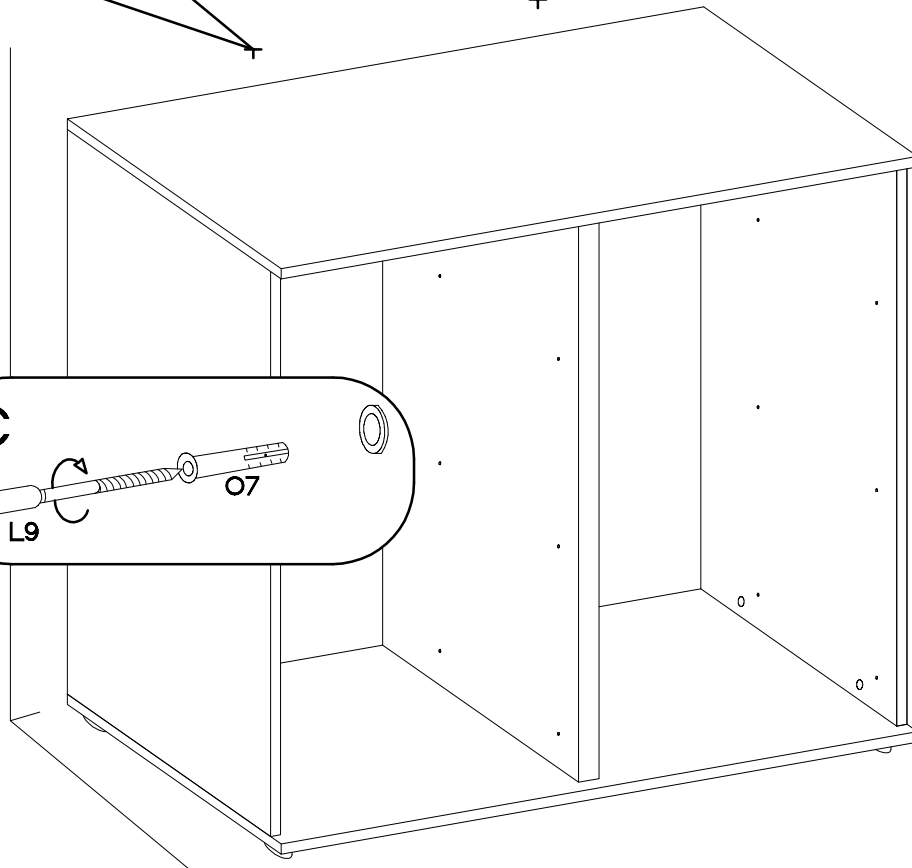
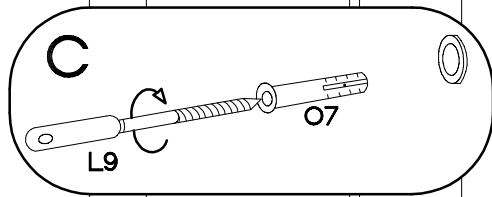
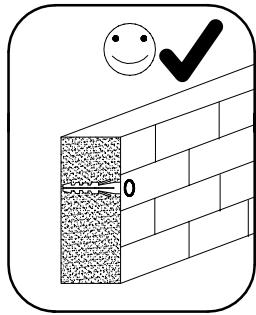
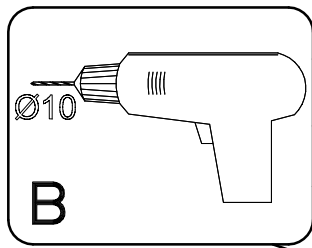
8



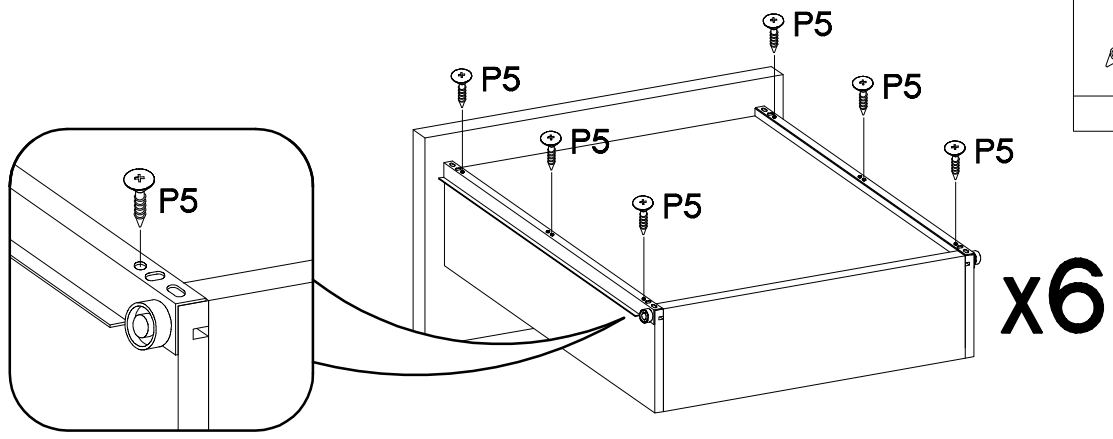
| | | |
|---|---|---|
| $\pm 3.5 \times 13 \text{mm}$ | $\pm 10 \times 50 \text{mm}$ |  |
|  |  | L9 |
| P5 | O7 | L9 |
| 2 | 2 | 2 |



9



10



11

