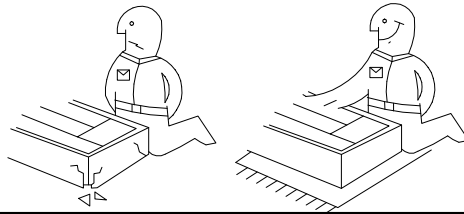
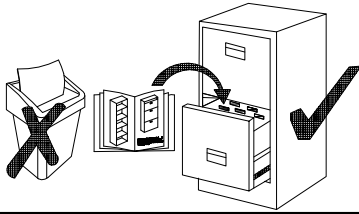
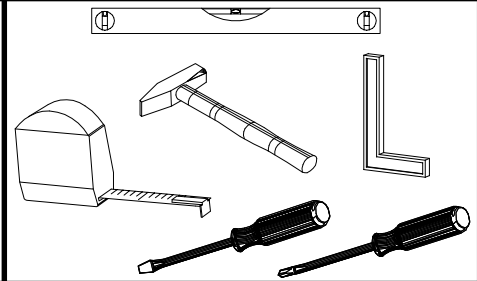
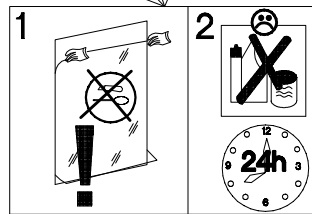
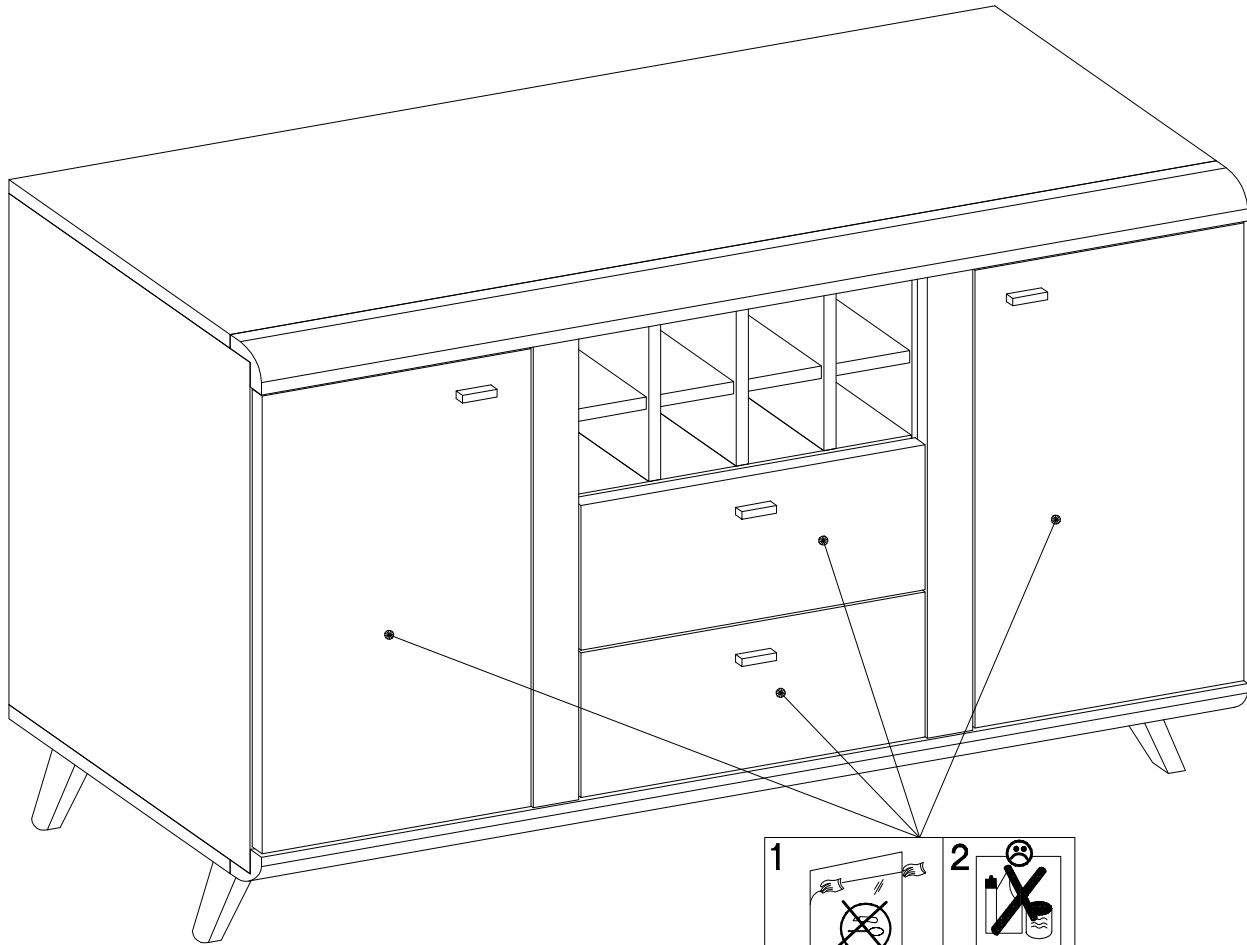


20





ARWH 20

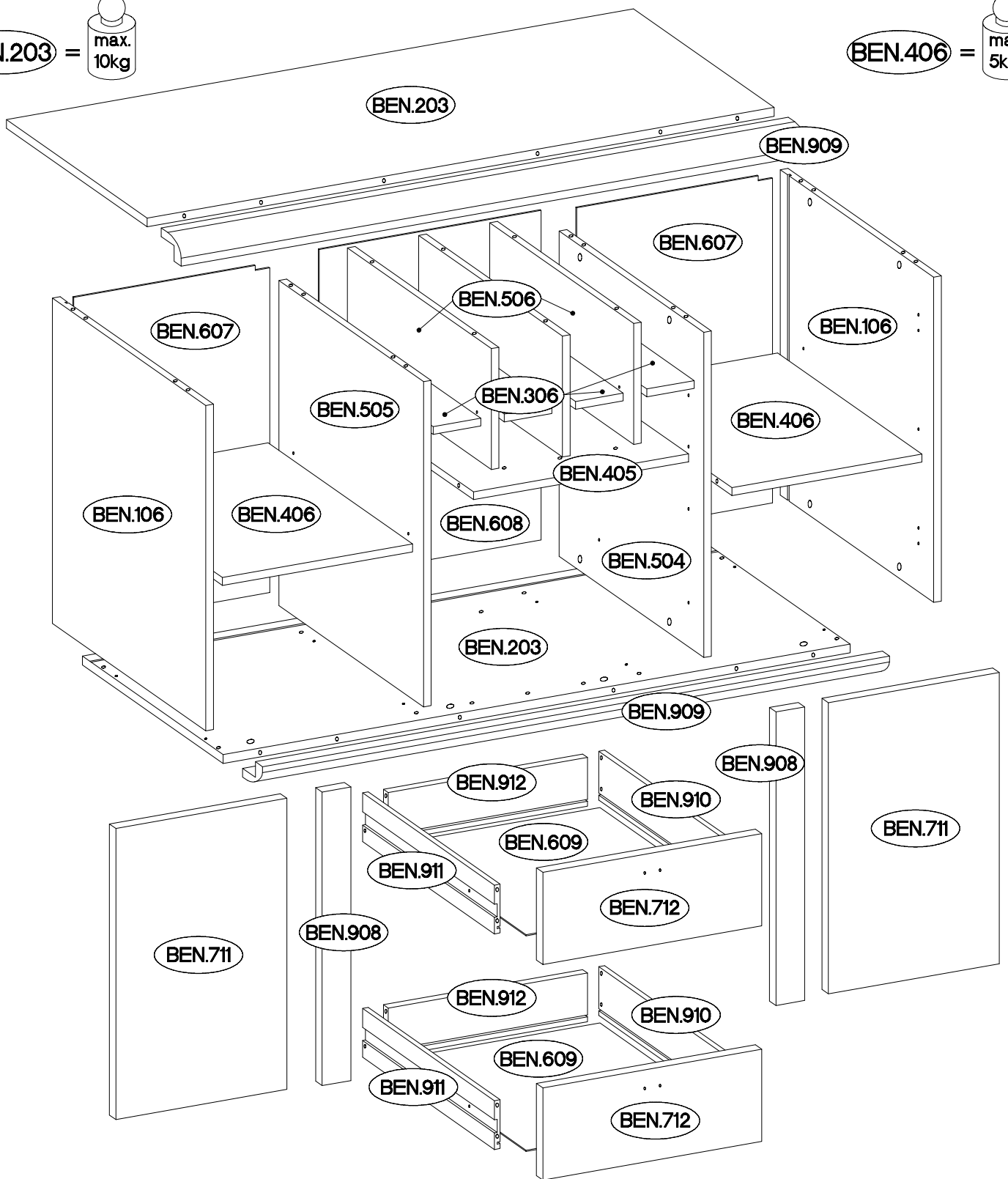


	$\pm 8 \times 40 \text{mm}$ A5 4	 O 1	$6,4 \times 50 \text{mm}$ B 6	$\pm 6 \times 42 \text{mm}$ B2 4	$M4 \times 9 \text{mm}$ U1 4	$\pm 6,3 \times 13 \text{mm}$ M2 8	$27/310 \text{mm}$ I4 2	$30 \times 30 \text{mm}$ T11 4	
$0,05$ O11 1	 L2 10	 L19 2	$\pm 10 \times 50 \text{mm}$ O7 2	$\pm 5,0 \times 60 \text{mm}$ P12 2	$\pm 5/16 \text{mm}$ J3 16	$\pm 3,0 \times 20 \text{mm}$ P7 19	$\pm 3,5 \times 13 \text{mm}$ P5 12	$M4 \times 22 \text{mm}$ U 8	$L=32 \text{mm}$ S11 4
	$\pm 15/12 \text{mm}$ C 36	$L=20 \text{mm}$ D2 36	$\pm 8 \times 30 \text{mm}$ A 34	 E 36	$H=0$ H 4	$\pm 35/0 \text{mm}$ G 4	 F13 6	$\pm 4,0 \times 16 \text{mm}$ P1 26	

ISM-BEN-06

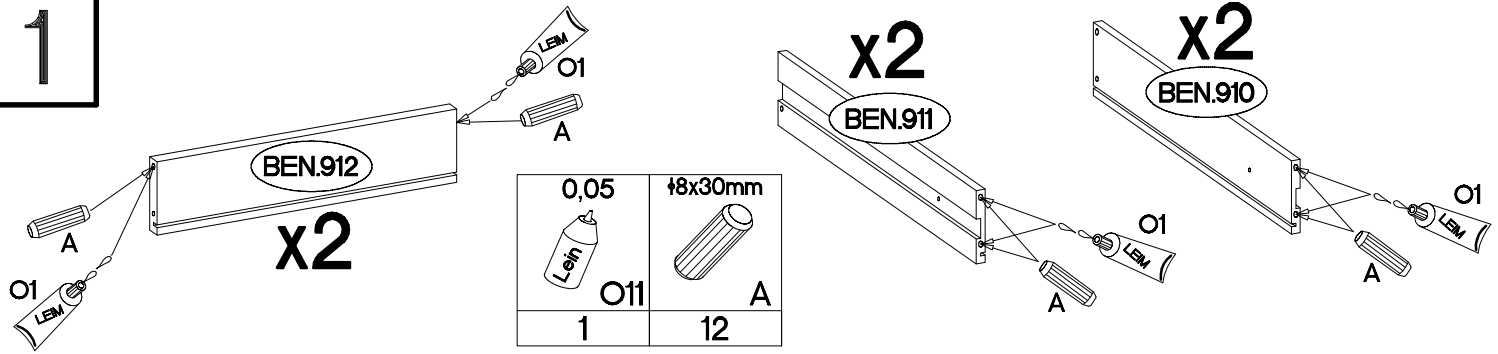
BEN.203 =  max. 10kg

BEN.406 =  max. 5kg

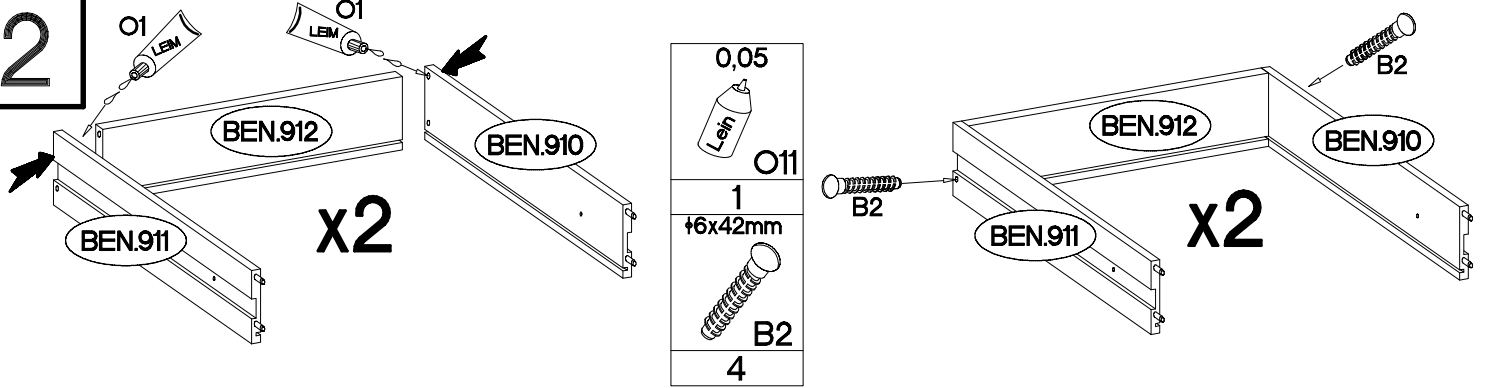


Coli	Ersatzteil Nummer	Dimension	Coli	Ersatzteil Nummer	Dimension	
1/2	BEN.306	99x357x16 x4	2/2	BEN.106	667x384x16 x2	
	BEN.405	448x361x16		BEN.203	1306x352,5x18 x2	
	BEN.406	396x361,5x16 x2		BEN.609	326x425x2,5 x2	
	BEN.504	667x362x16		BEN.711	597x356x16 x2	
	BEN.505	667x362x16		BEN.909	1306x50x60 x2	
	BEN.506	248x360x16 x3		BEN.910	330x100x12 x2	
	BEN.607	676x408x2,5 x2		BEN.911	330x100x12 x2	
	BEN.608	676x462x2,5		BEN.912	415x100x12 x2	
	BEN.712	456x189x16 x2				
	BEN.908	602x60x16 x2				

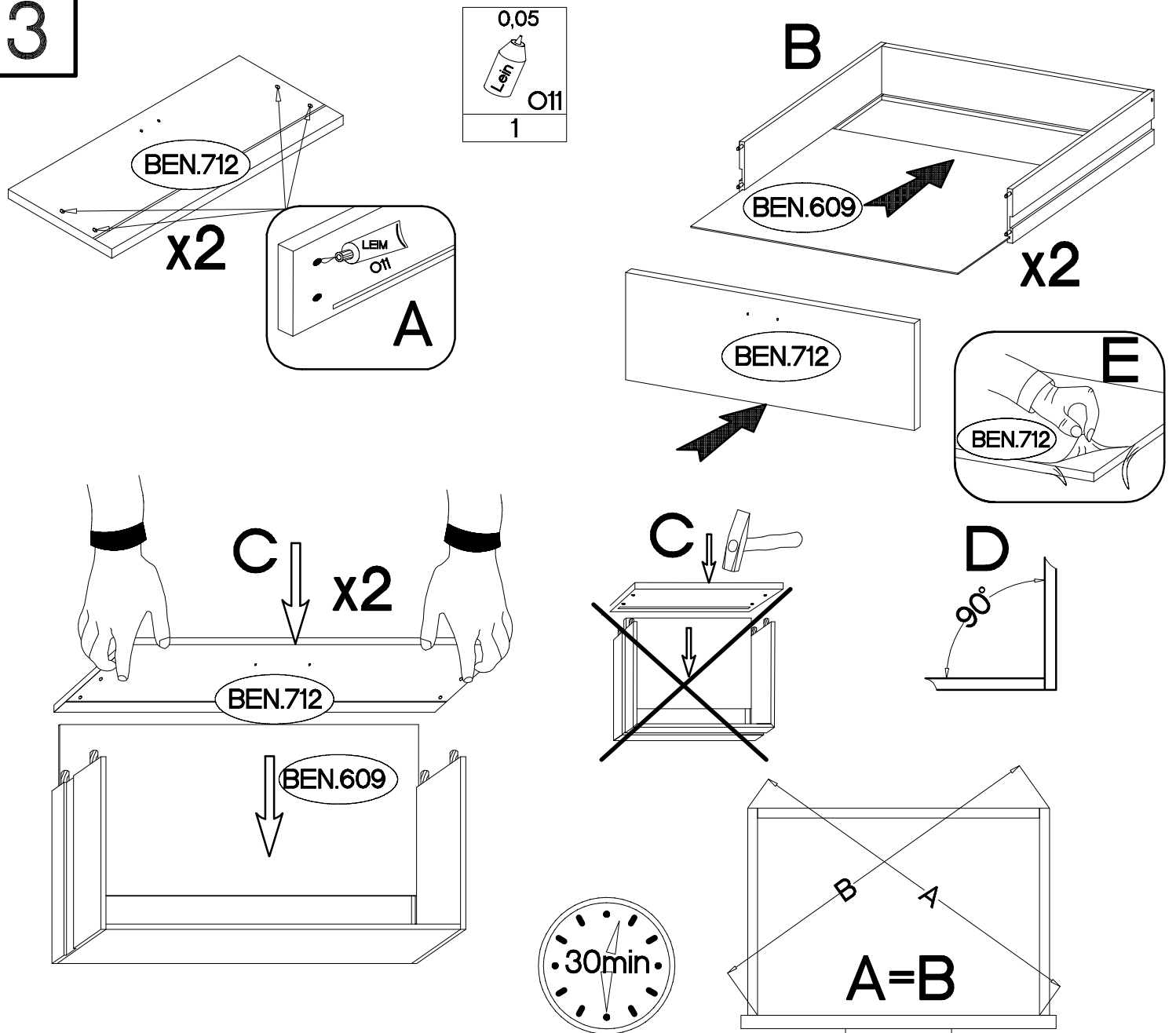
1






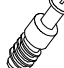


2

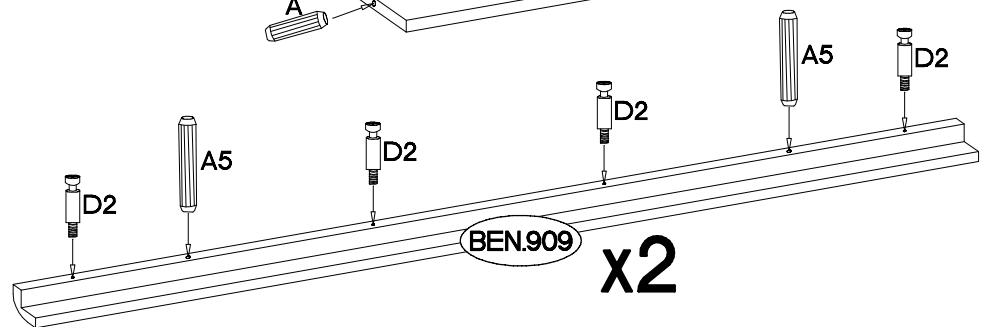
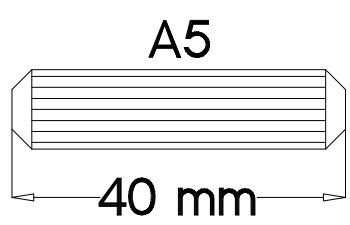
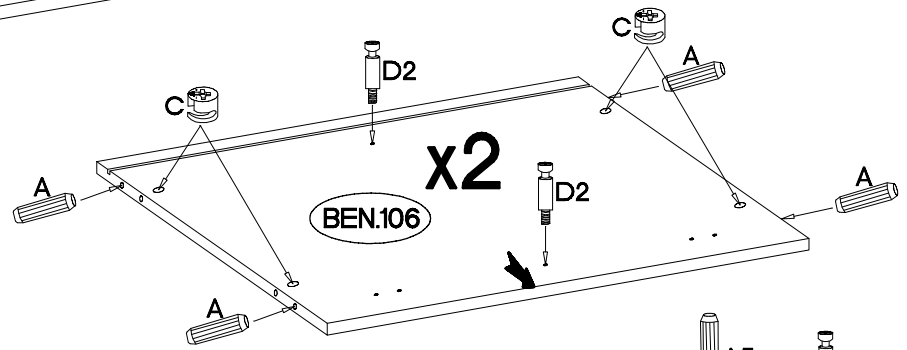
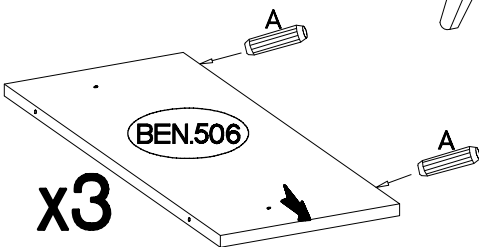
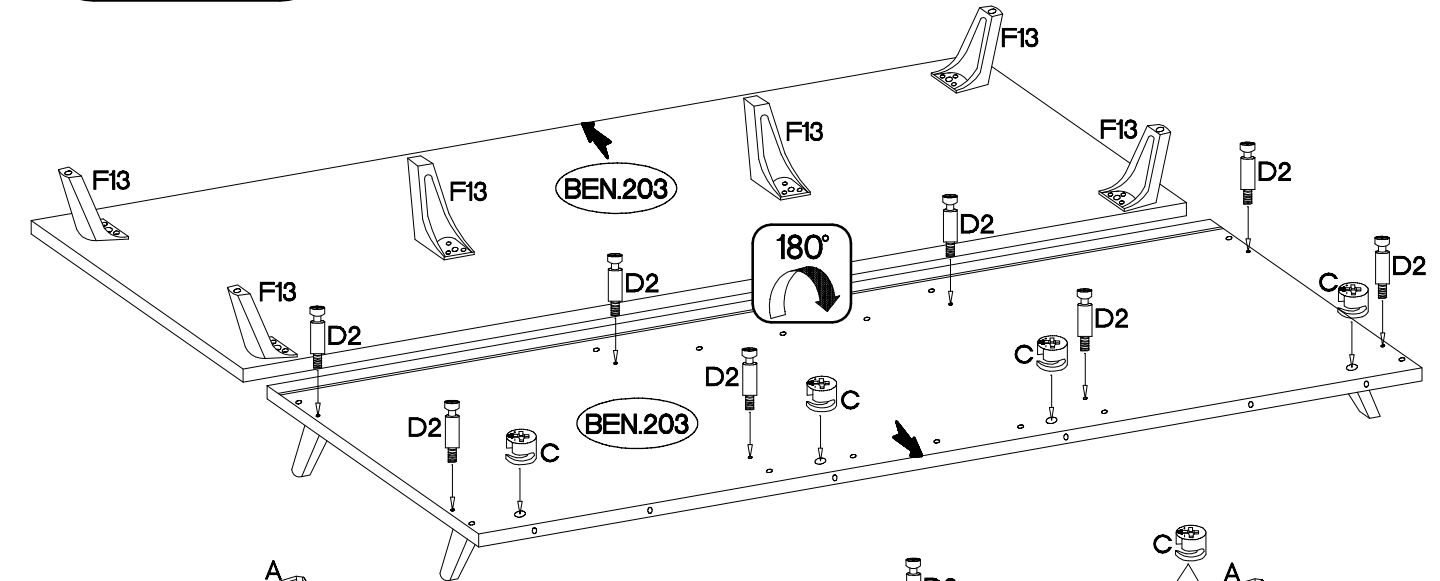
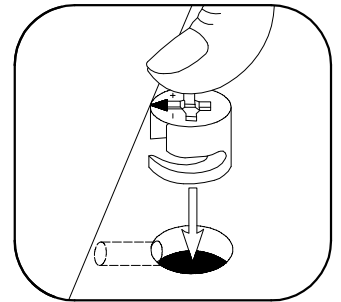
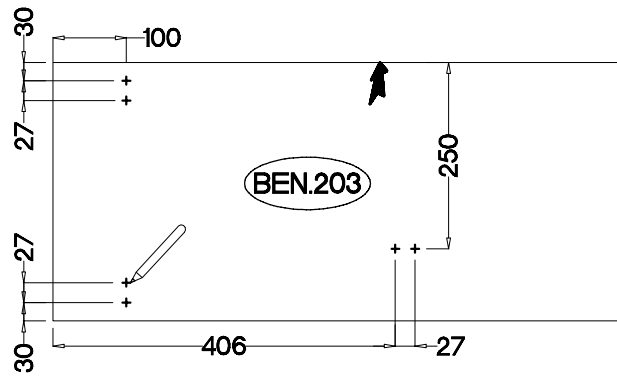
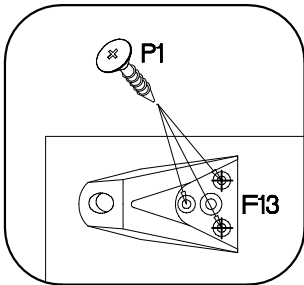
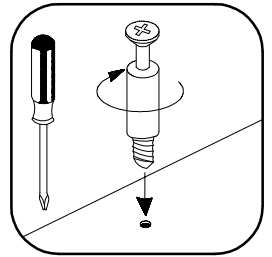
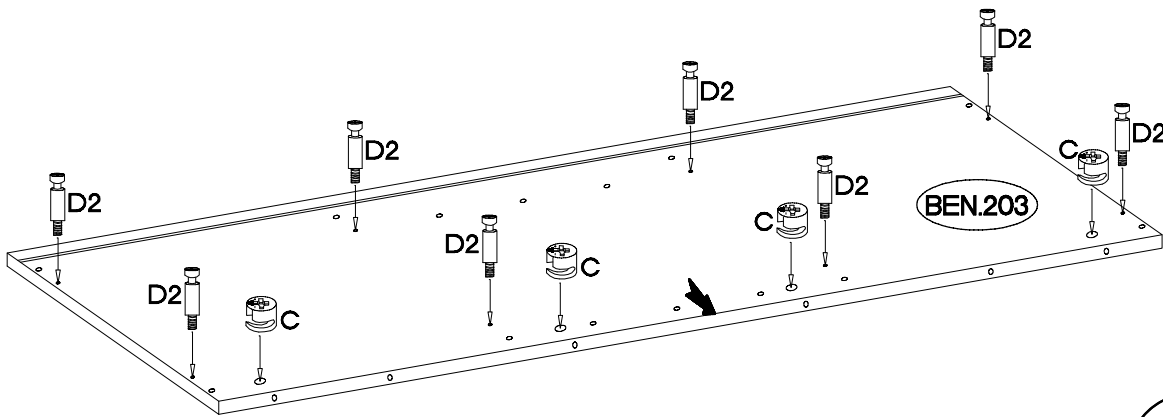


3







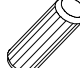


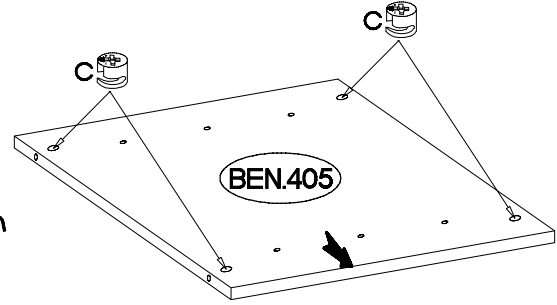
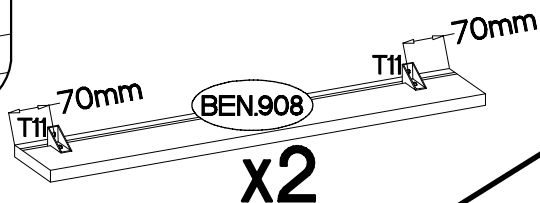
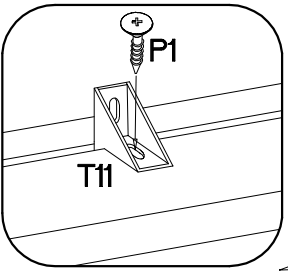
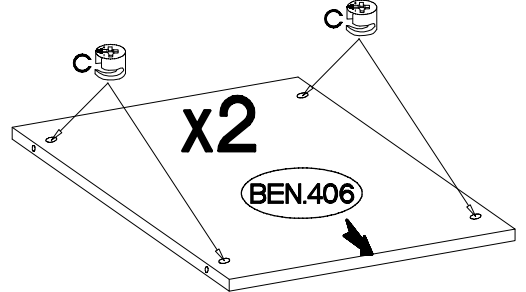
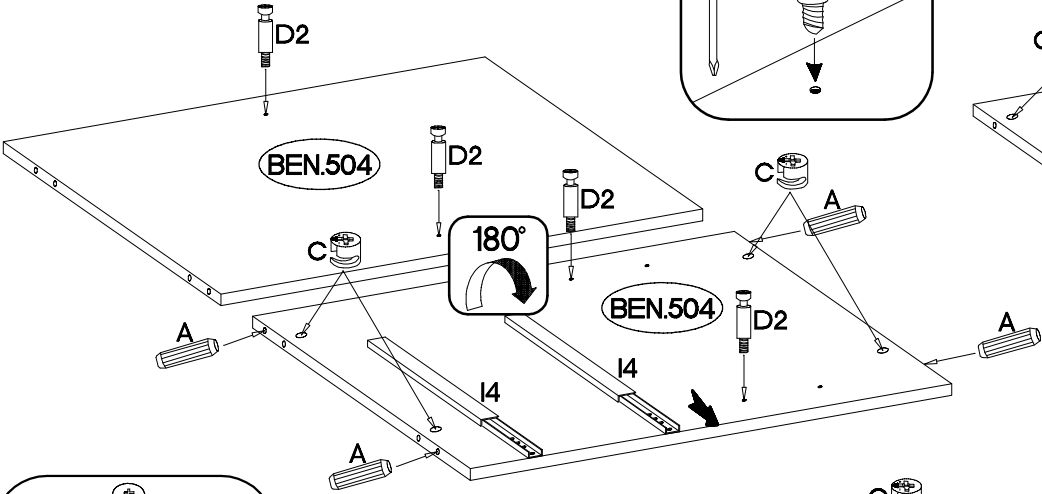
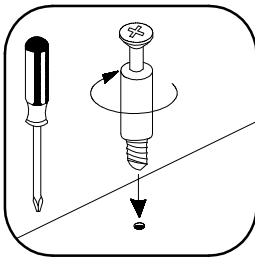
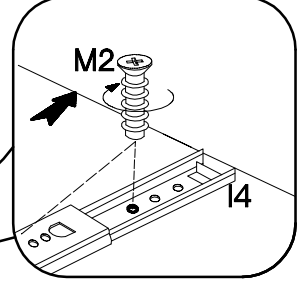
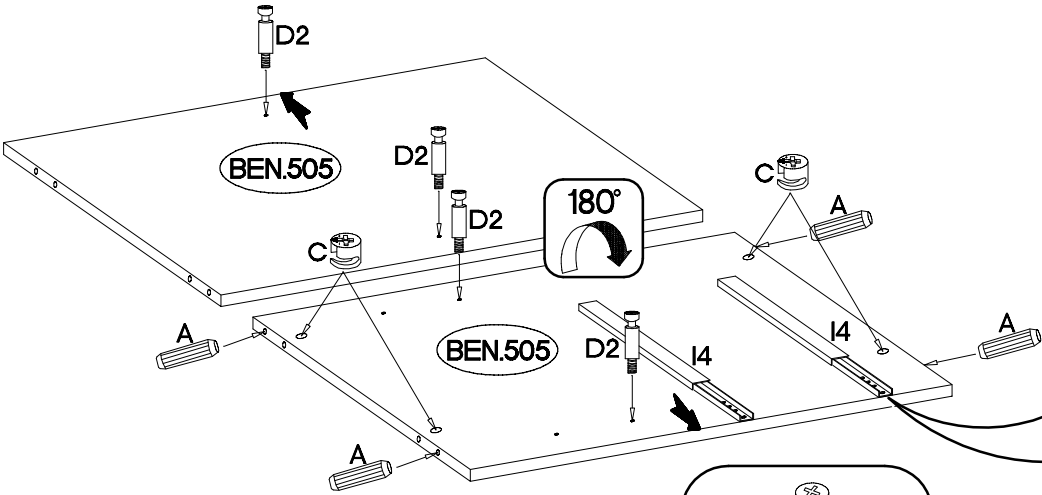
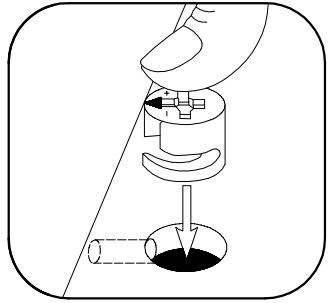
4

	$\pm 4.0 \times 16 \text{ mm}$ 	$\pm 15/12 \text{ mm}$ 	$L=20 \text{ mm}$ 	$\pm 8 \times 40 \text{ mm}$ 	$\pm 8 \times 30 \text{ mm}$ 
F13	P1	C	D2	A5	A
6	18	16	28	4	14

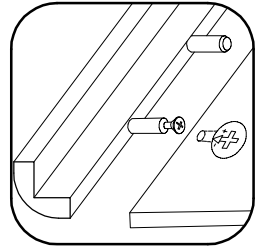
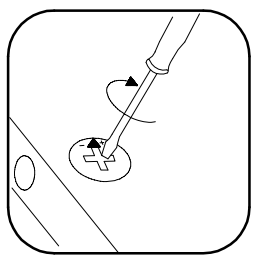
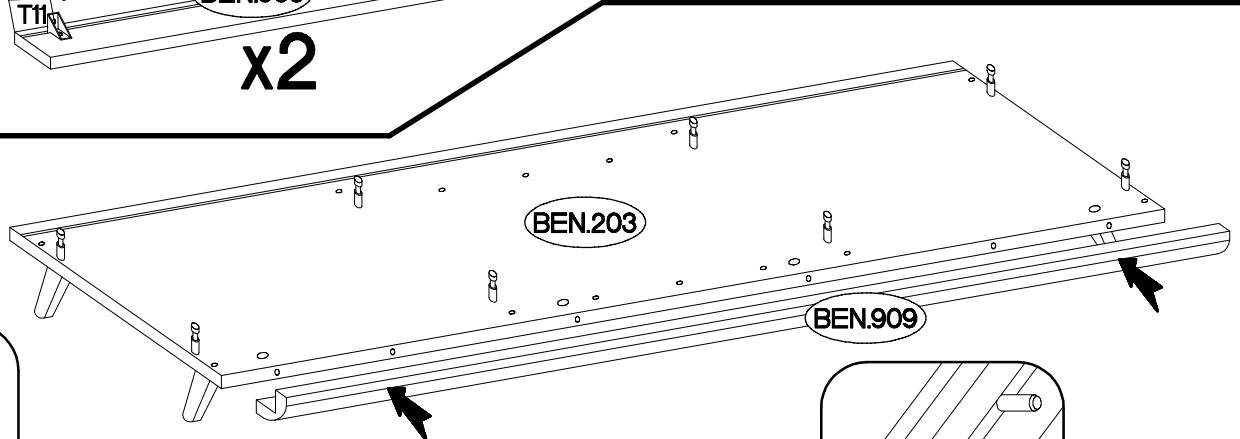


5

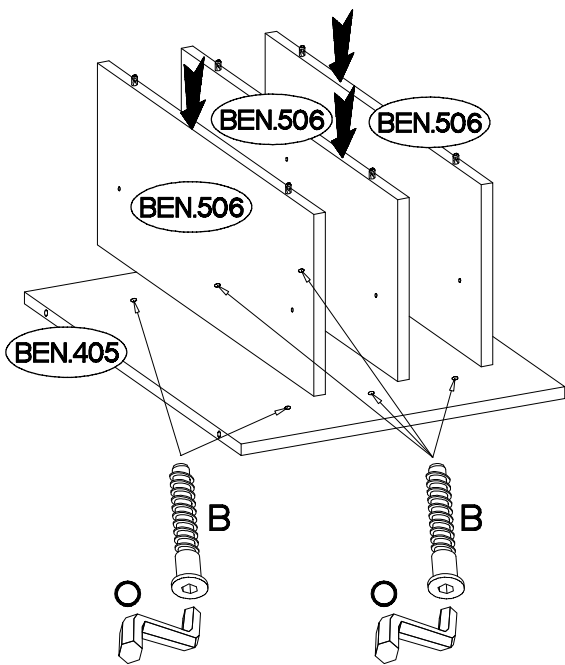
†6,3x13mm  M2 8	27/310mm  I4 2	30x30 mm  T11 4	†4.0x16mm  P1 4	†15/12mm  C 20	L=20mm  D2 8	†8x30mm  A 8
--	---	--	--	---	---	--

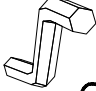


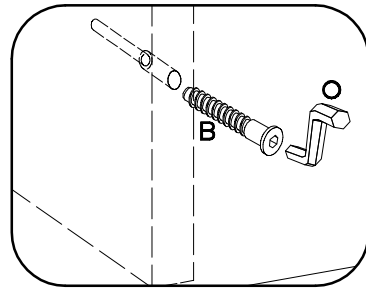
6



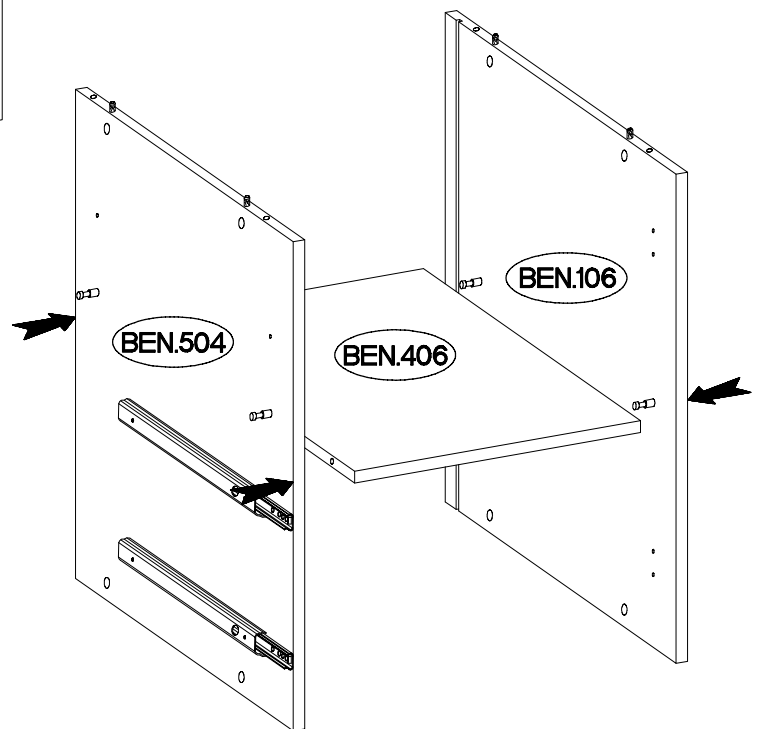
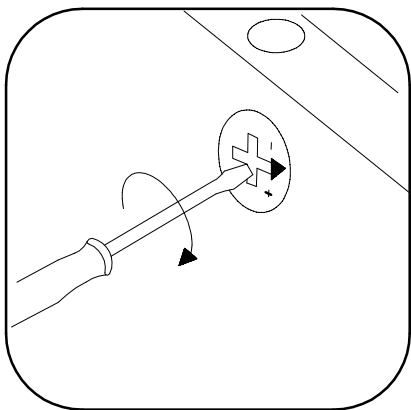
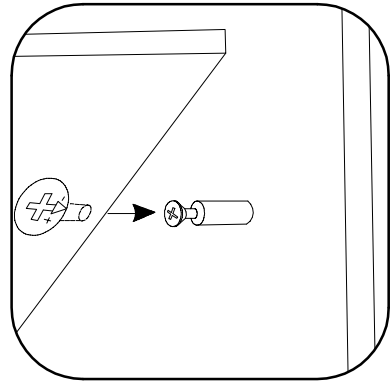
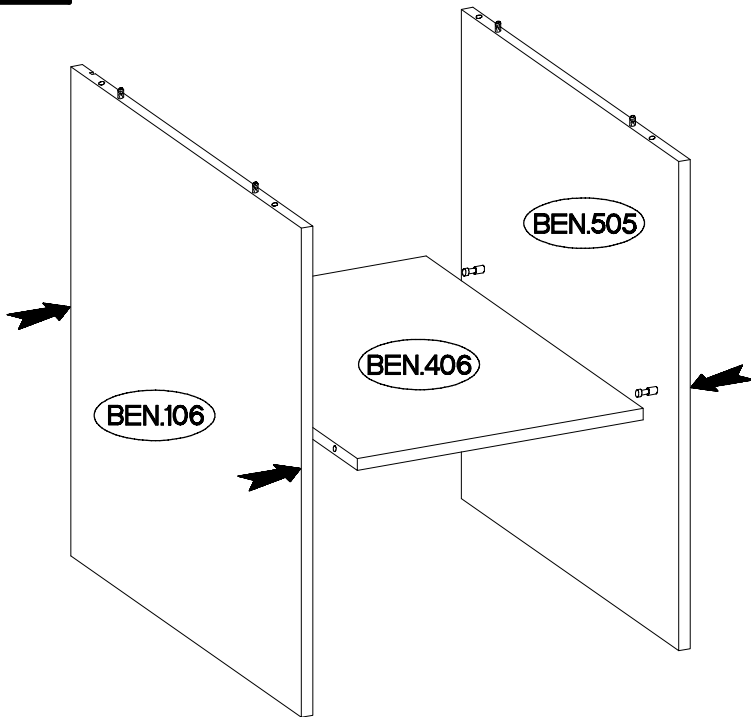
7



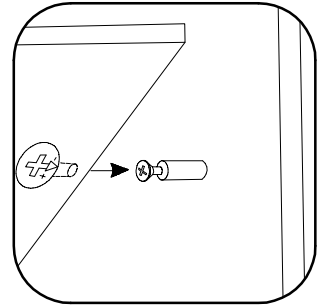
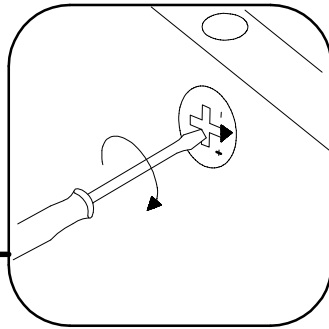
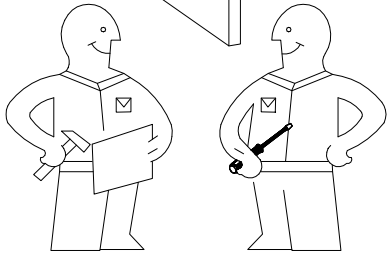
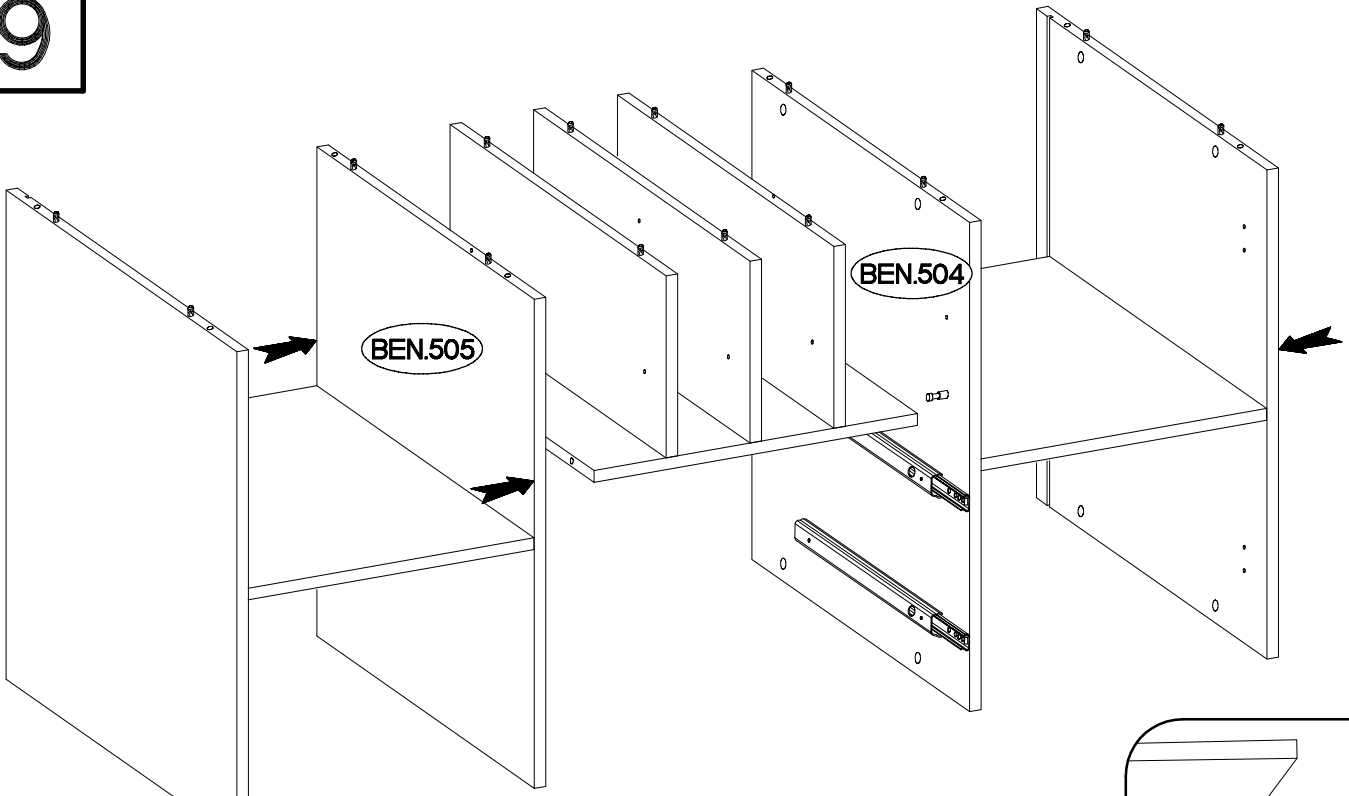
	6,4 x 50mm
O	B
1	6



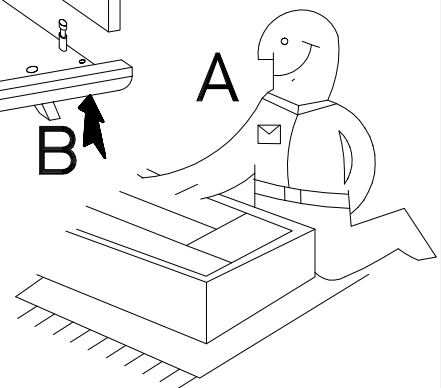
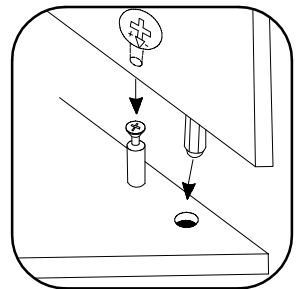
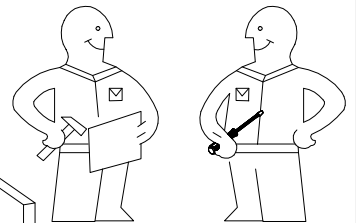
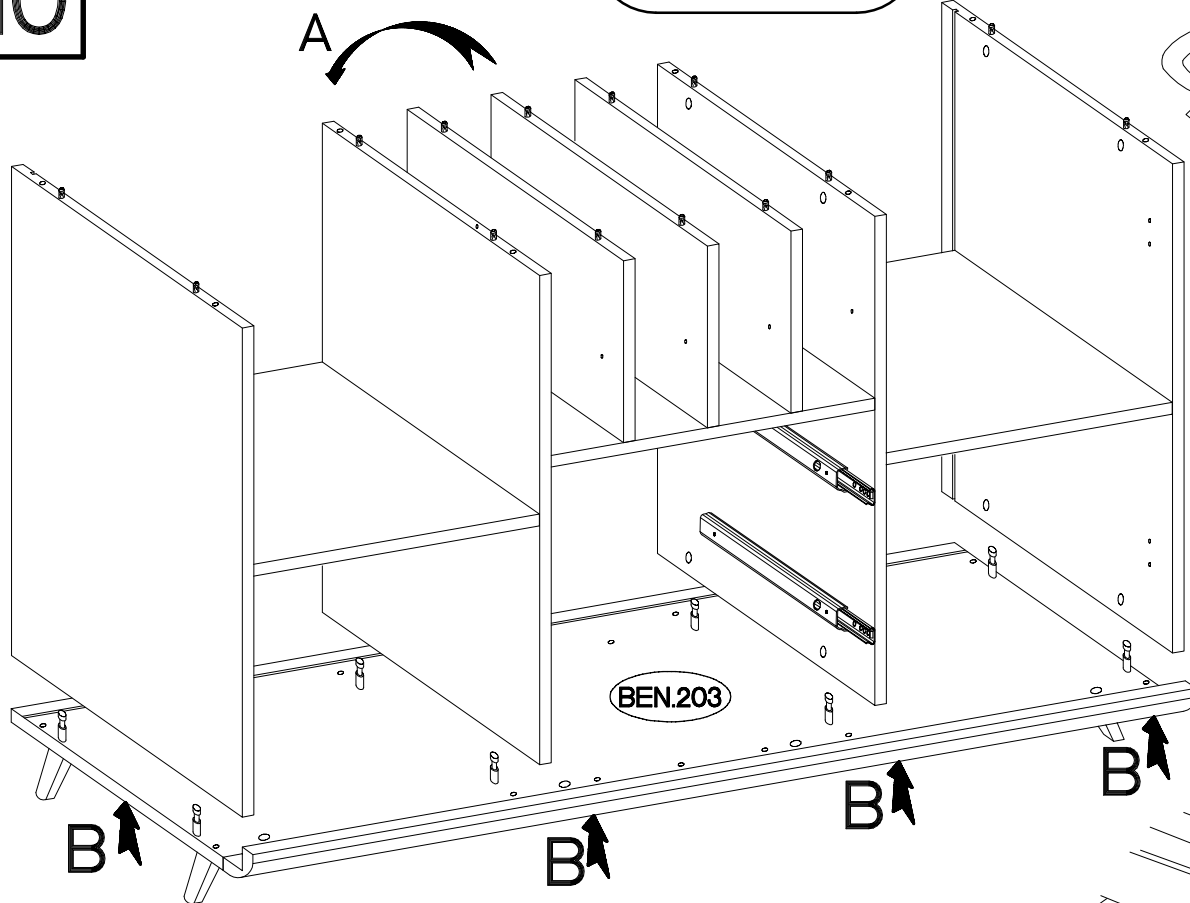
8



9

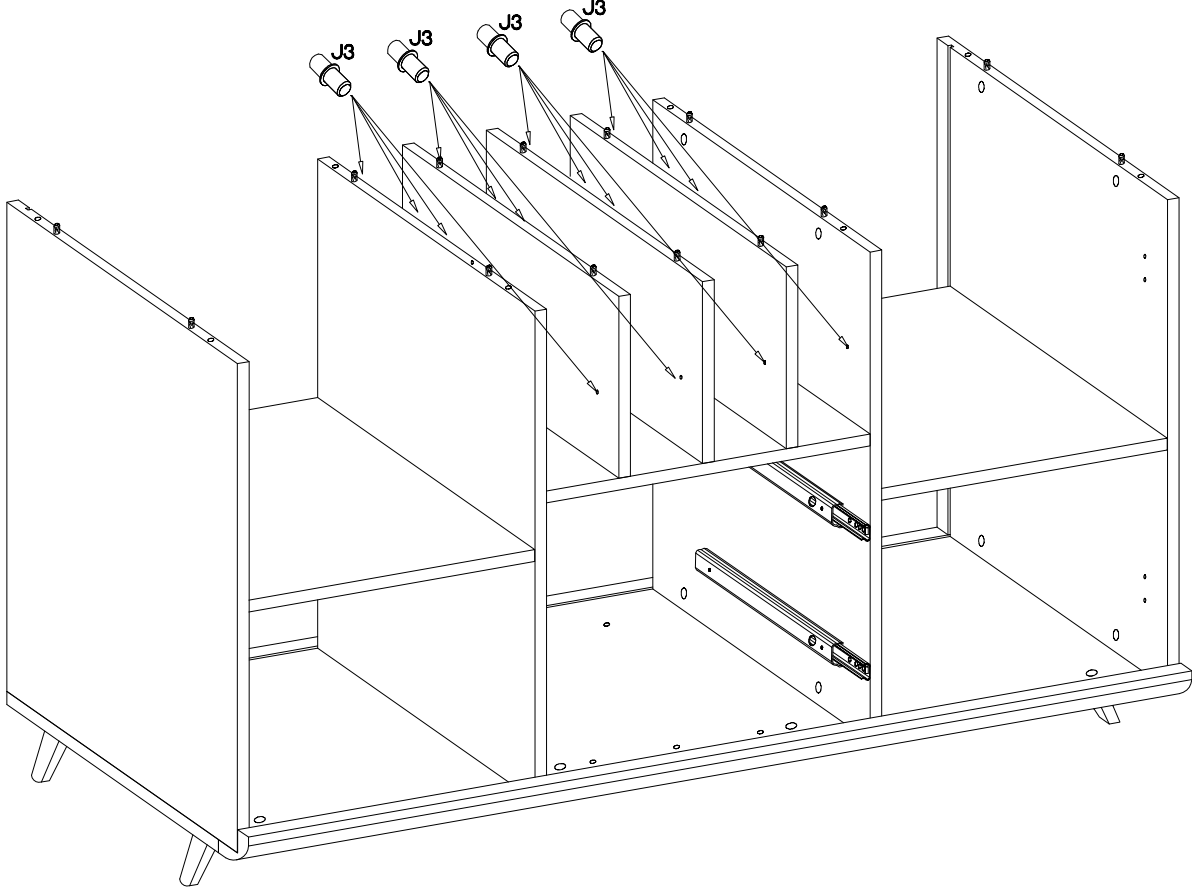


10

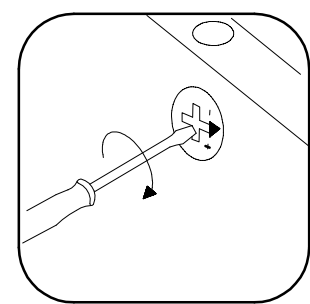
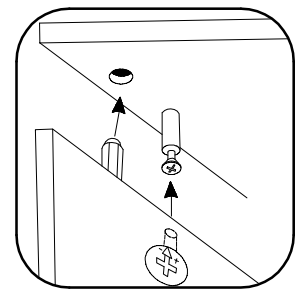
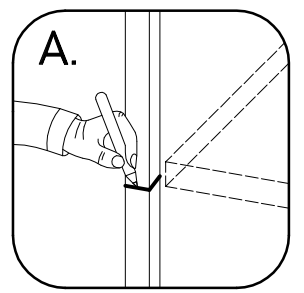
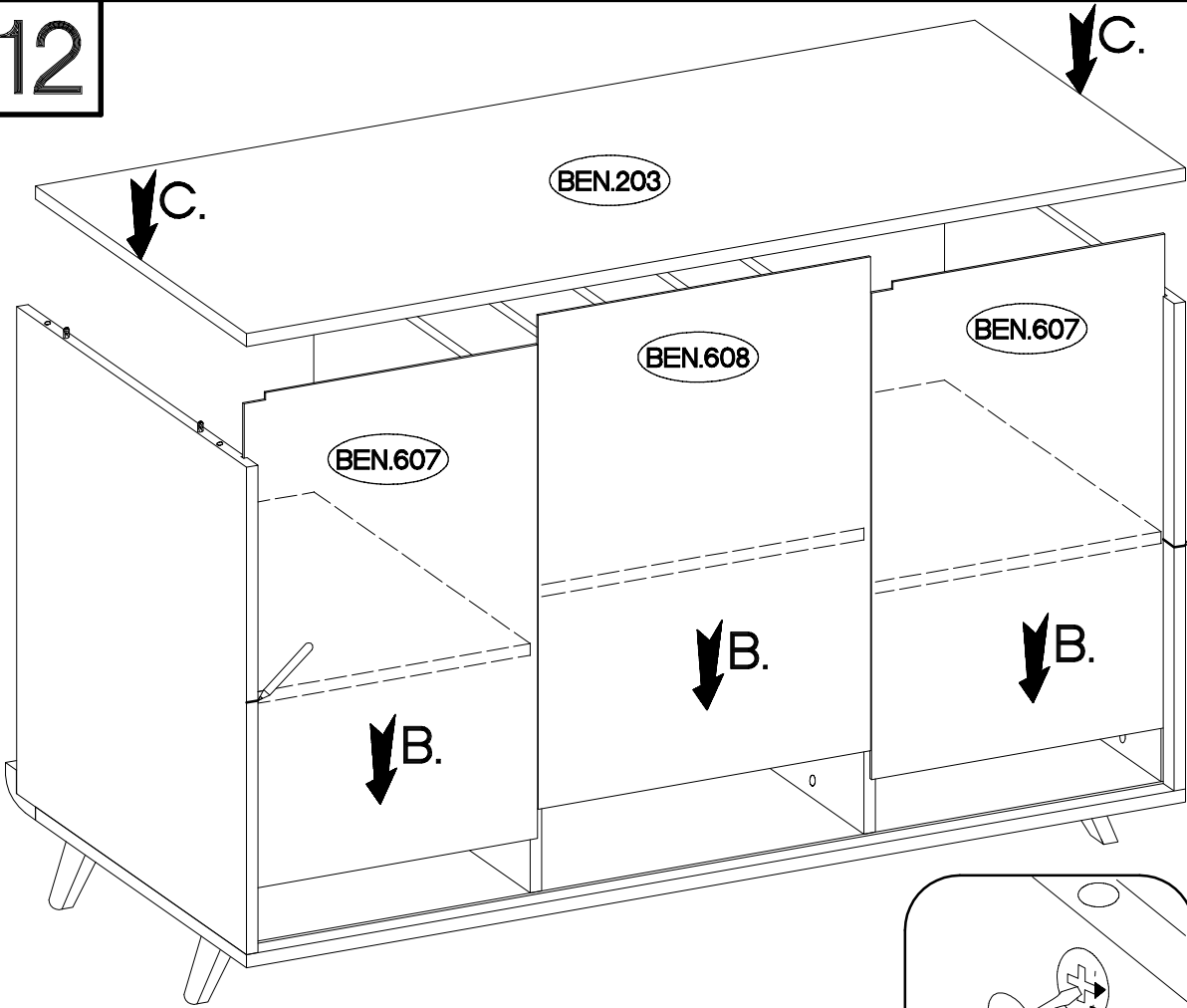


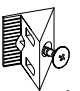


11

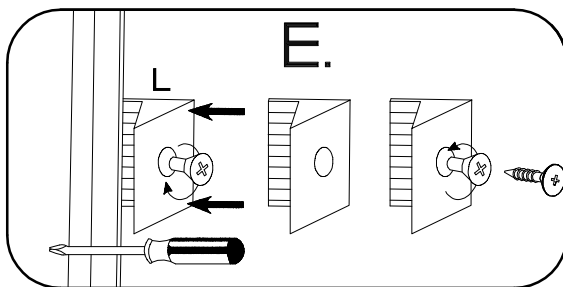
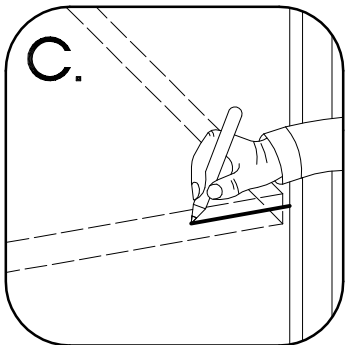
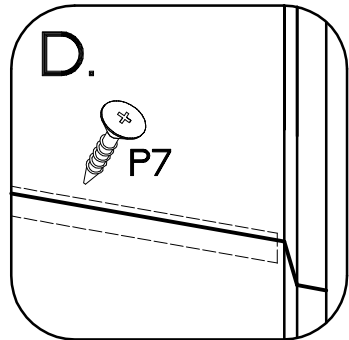
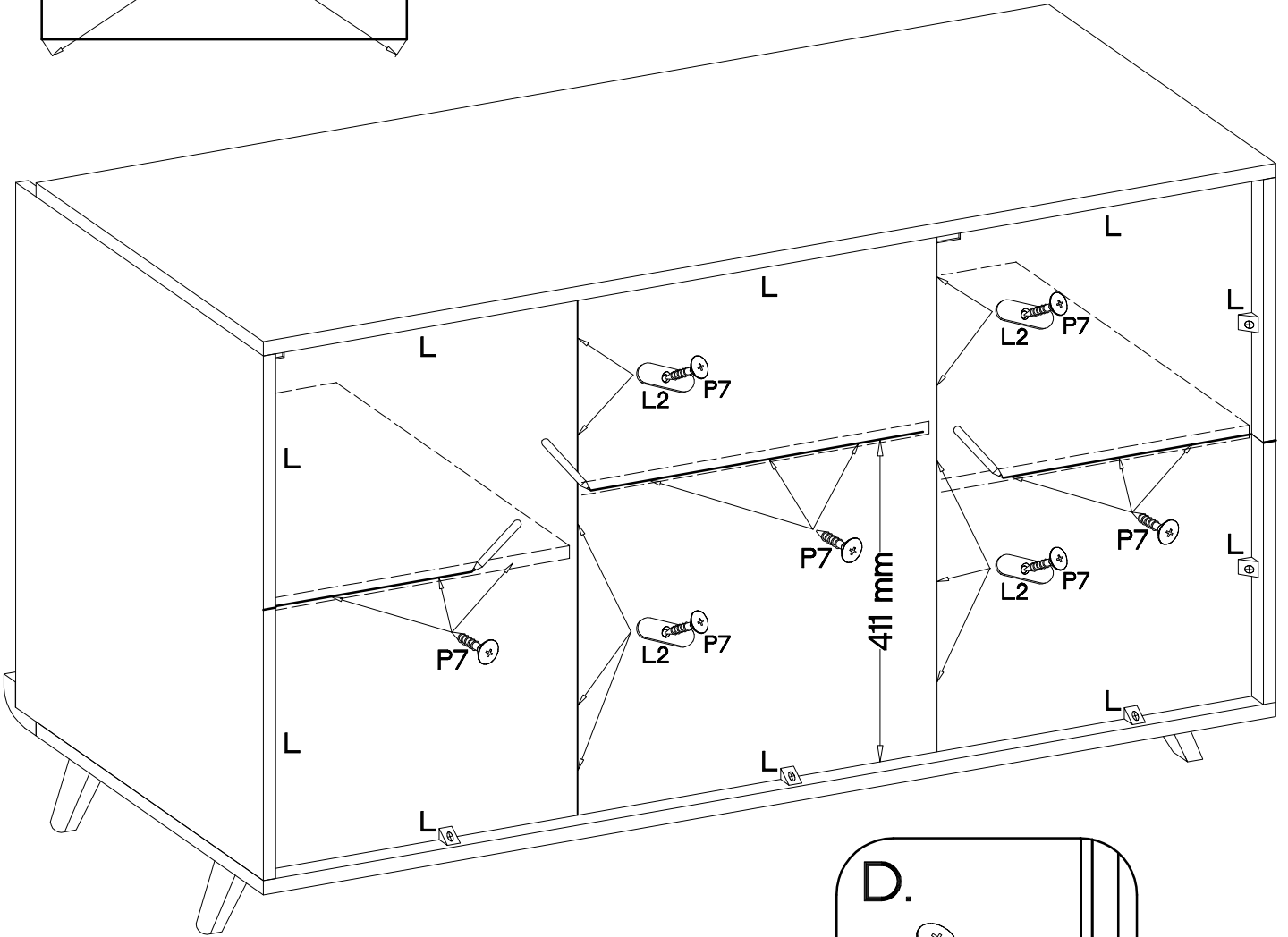
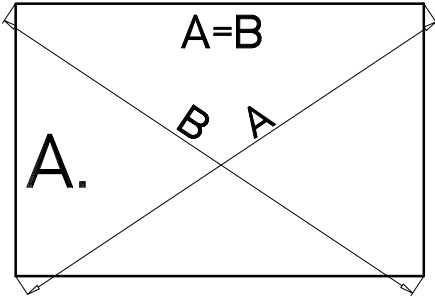
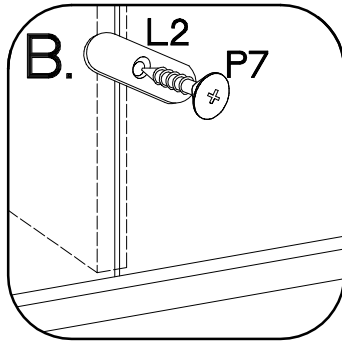
±5/16mm
J3
16



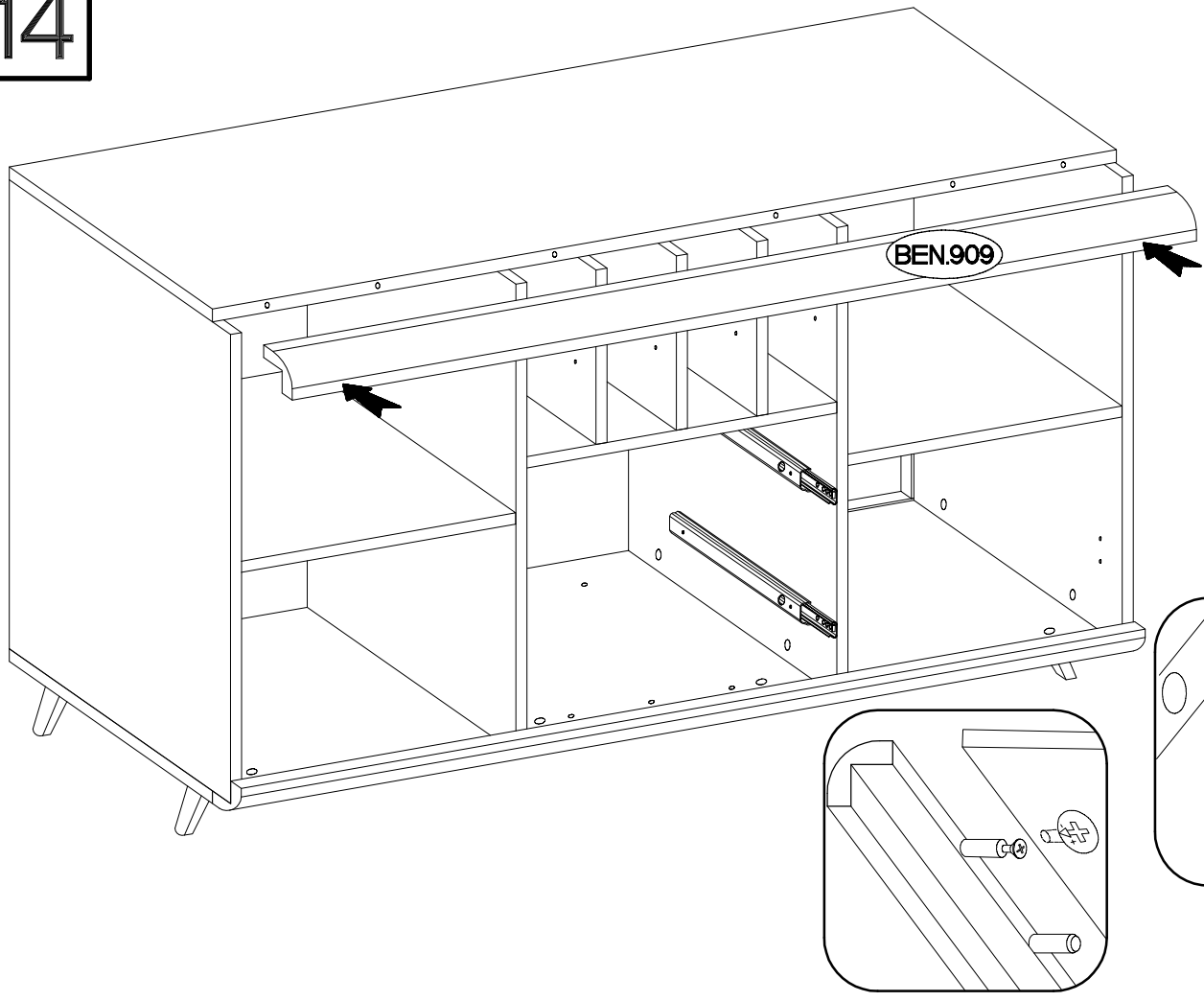
12



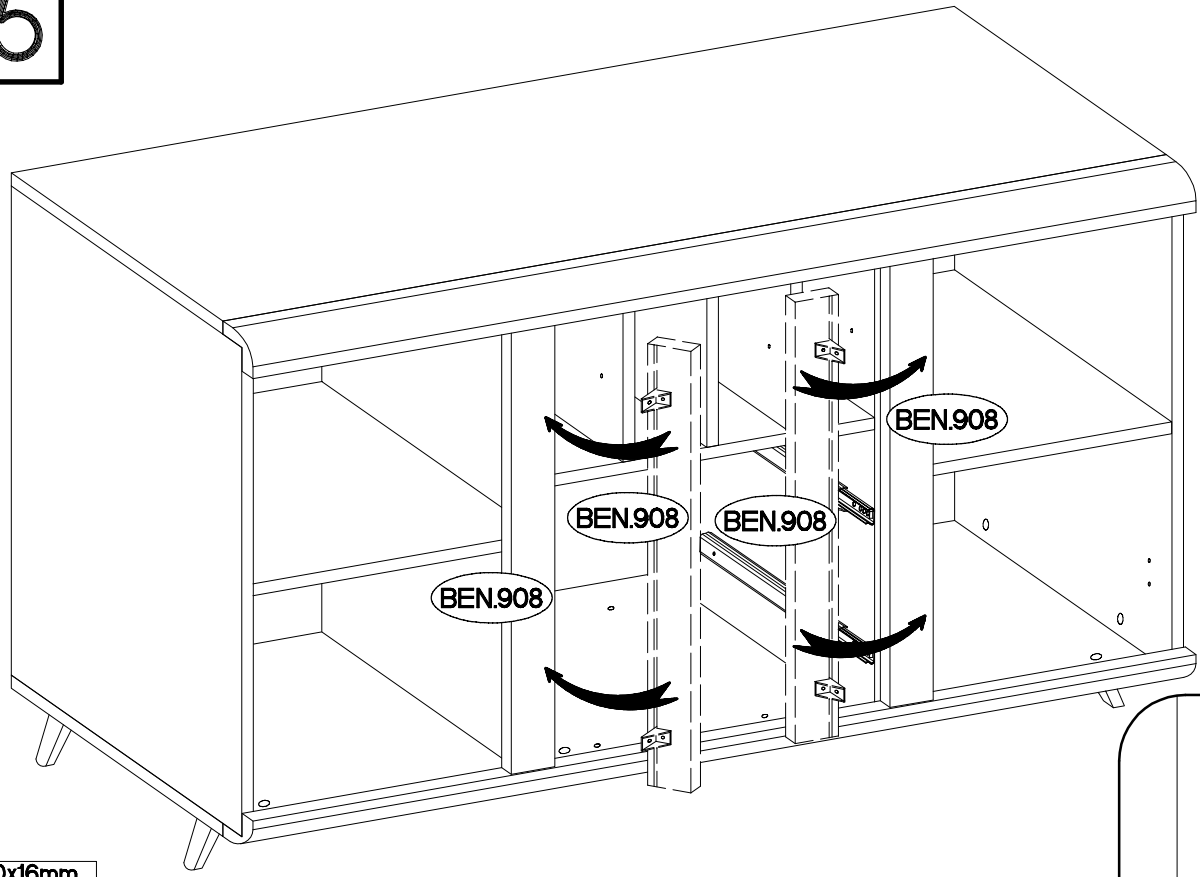
	±3.0x20mm 	
L	P7	L2
10	19	10



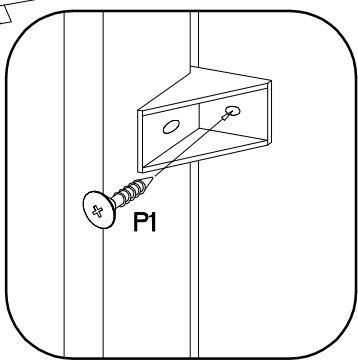
14

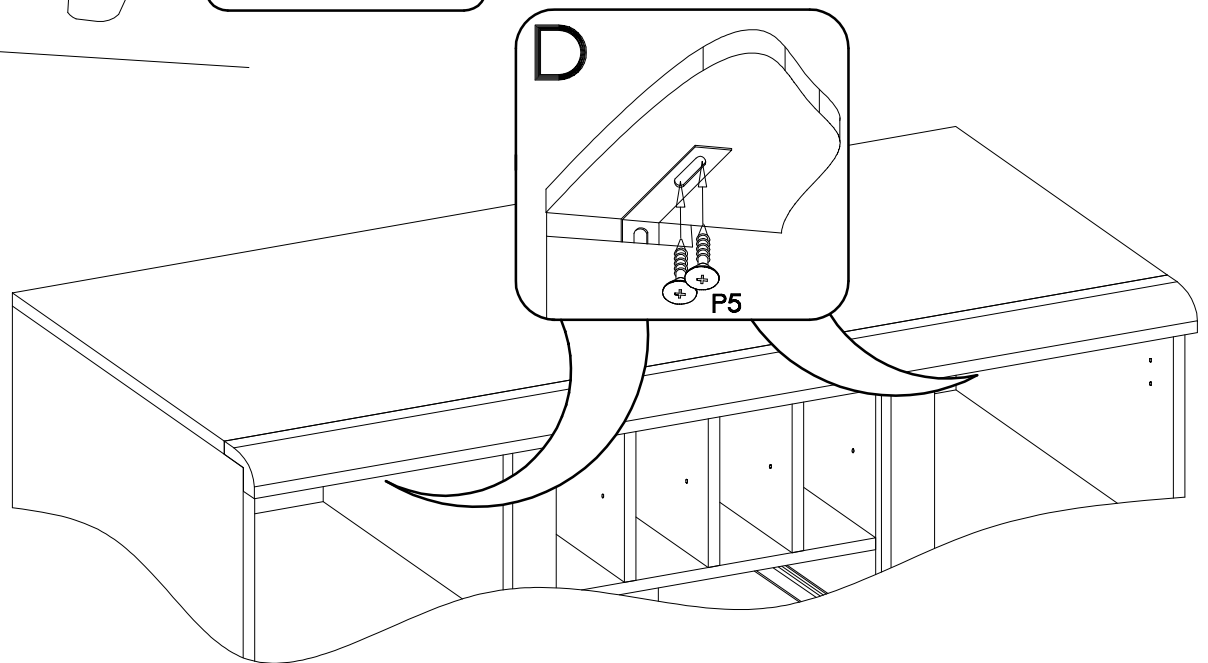
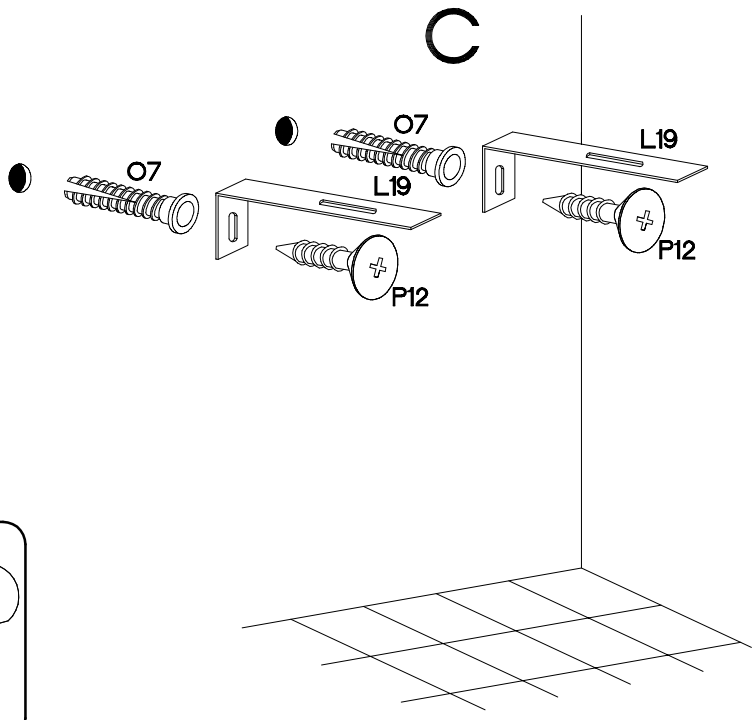
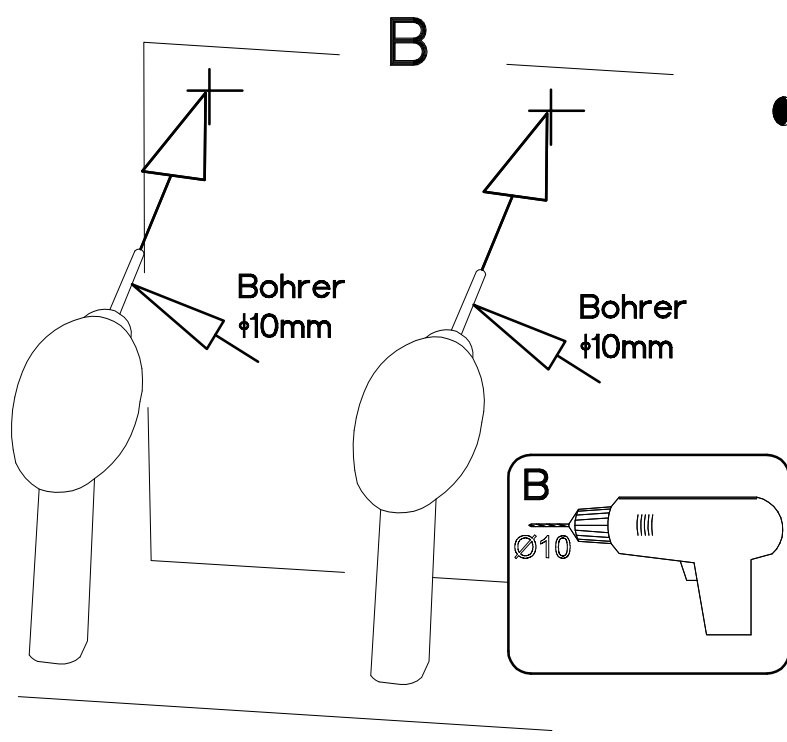
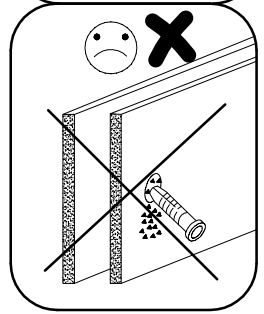
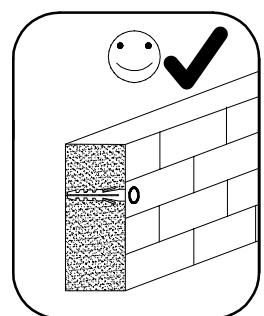
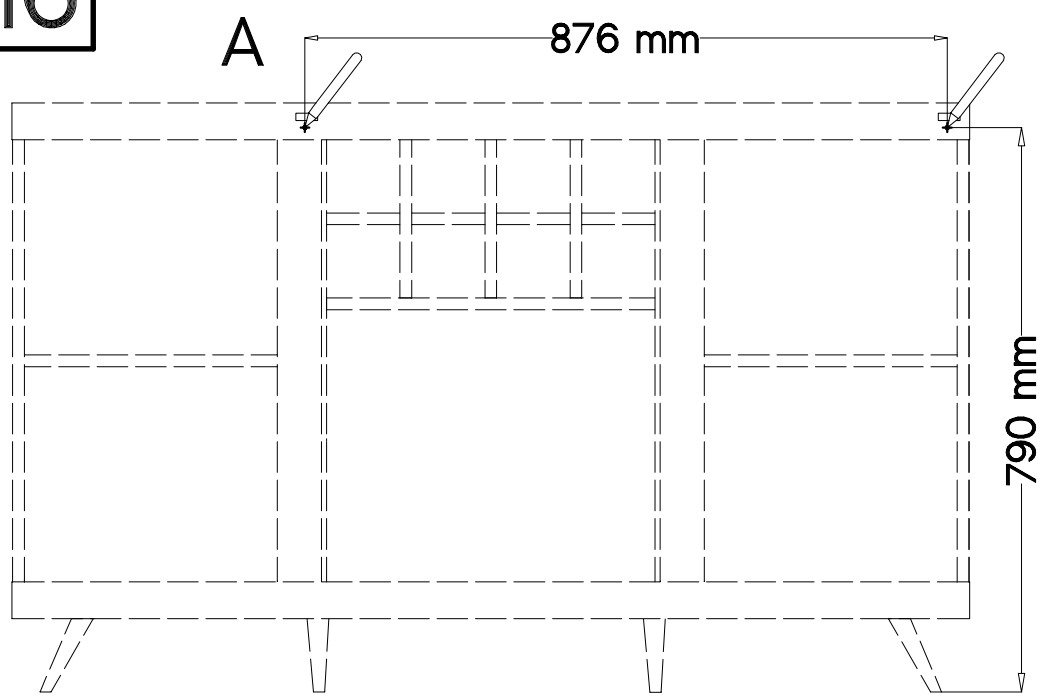


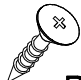



15







4.0x16mm
P1
4

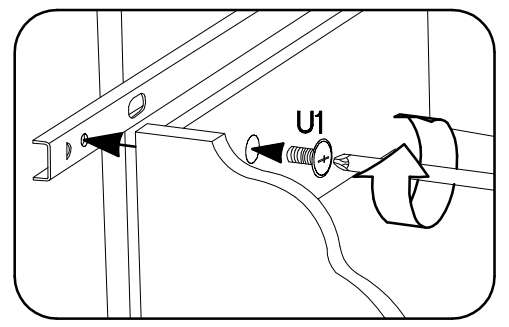
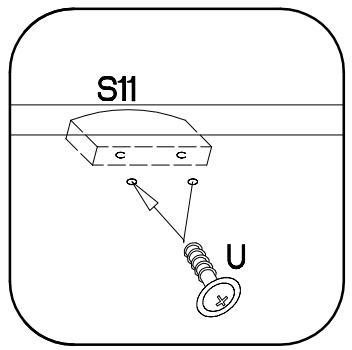
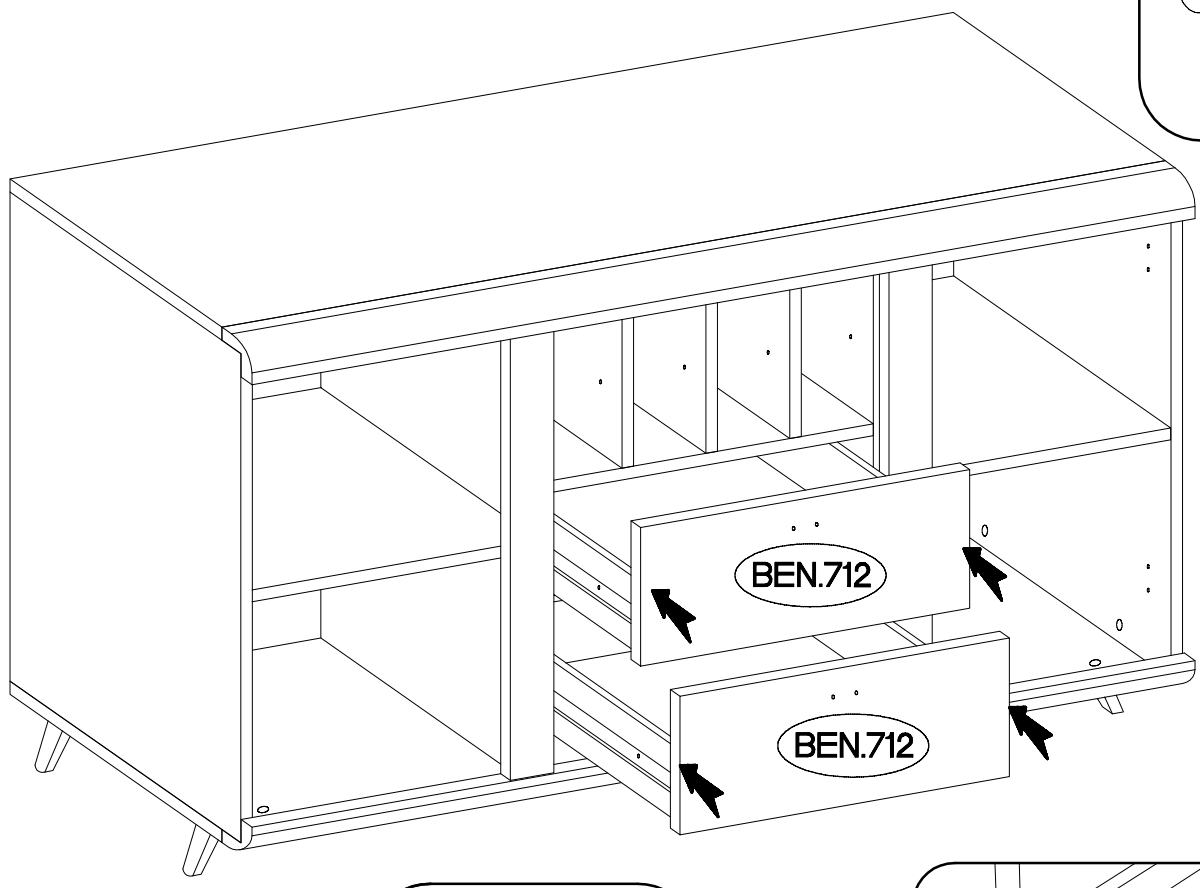
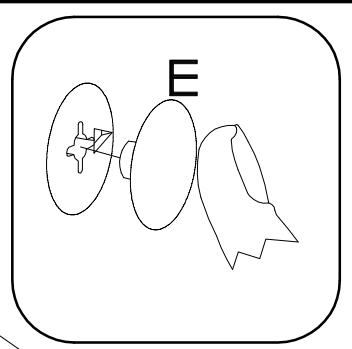





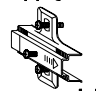
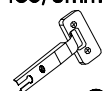
 P12 2	 P5 4
 L19 2	 O7 2

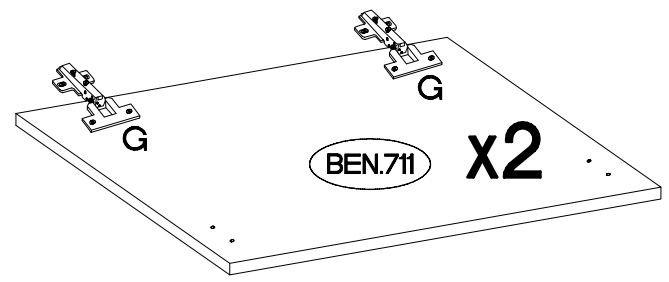
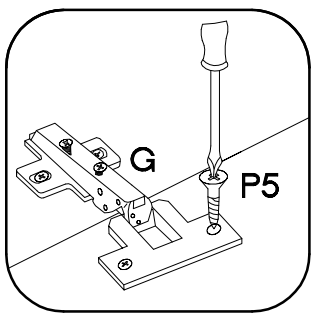
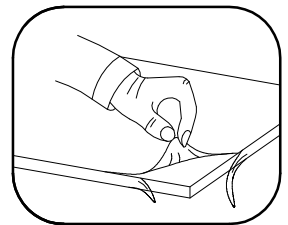
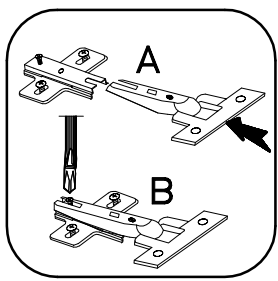
17


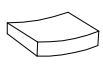
M4x9mm  U1 4	 E 36	M4x22mm  U 4	L=32mm  S11 2
---	---	---	--



18

+3.5x13mm  P5 8	H=0  H 4	+35/0mm  G 4
---	--	--



M4x22mm	L=32mm
	
U	S11
4	2

