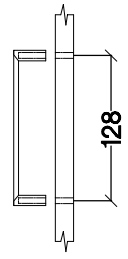
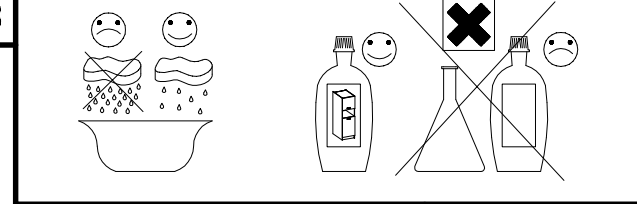
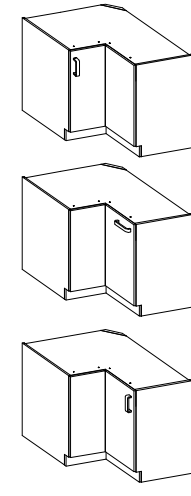
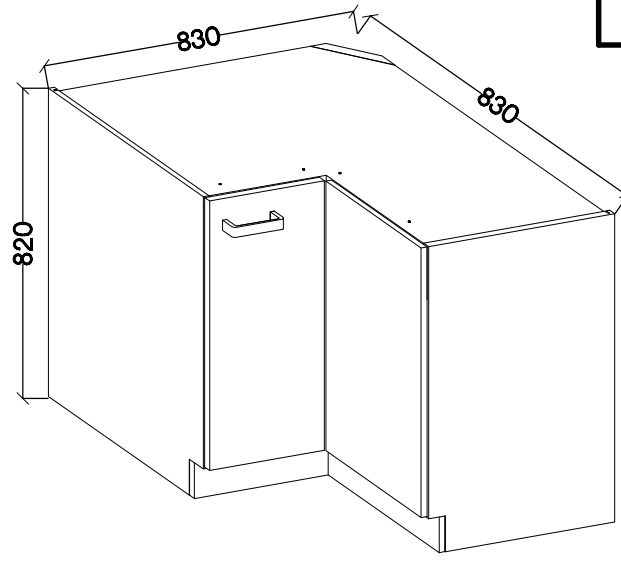
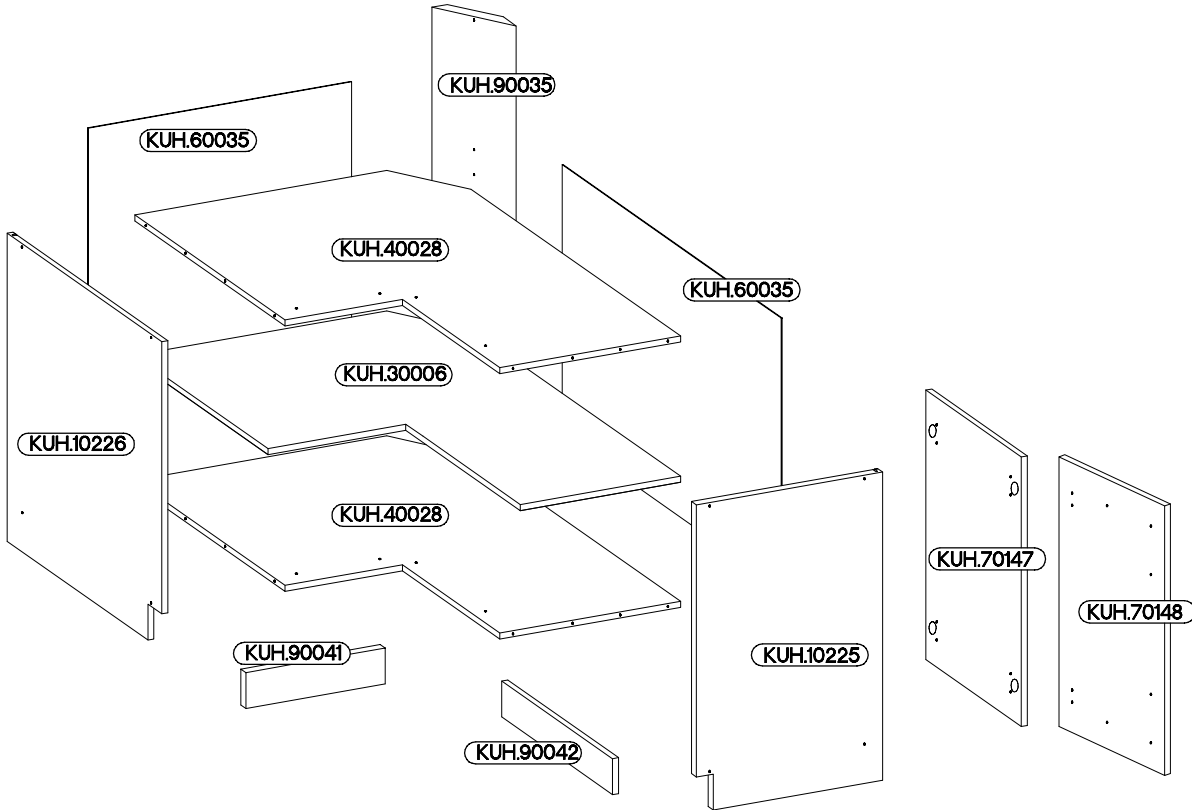
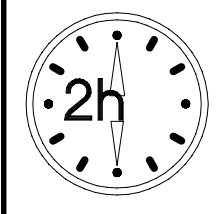
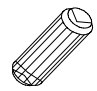



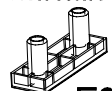

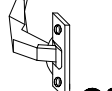
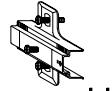

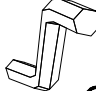
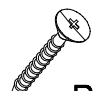







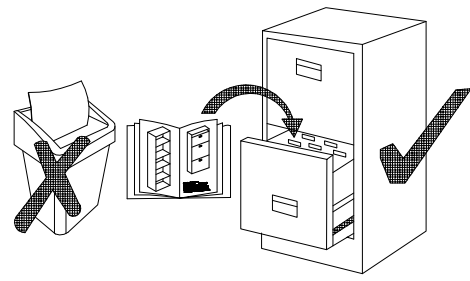
**89x89 ND 2F BB**



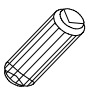
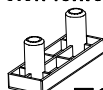
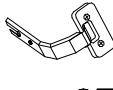
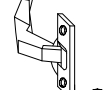
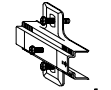

KUH.30006  
KUH.40028

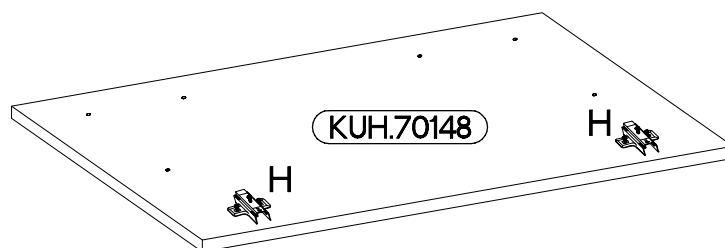
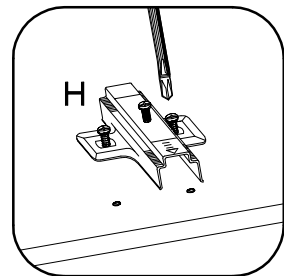
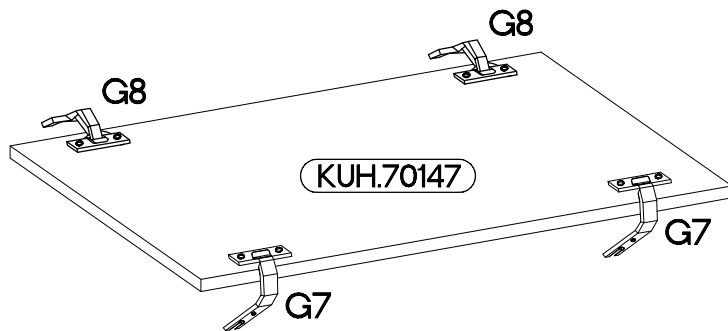
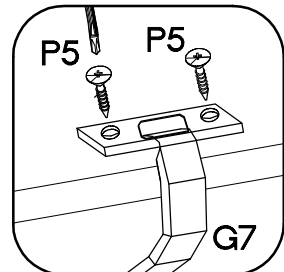
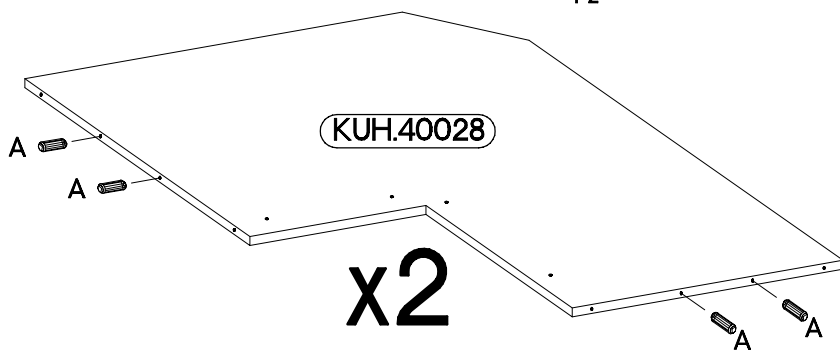
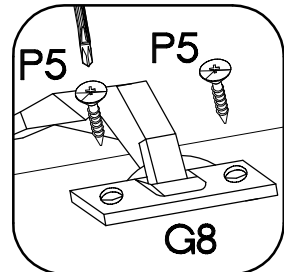
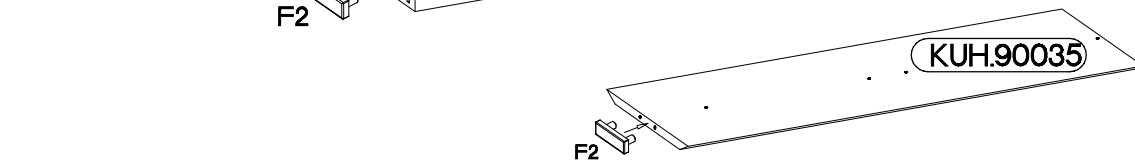
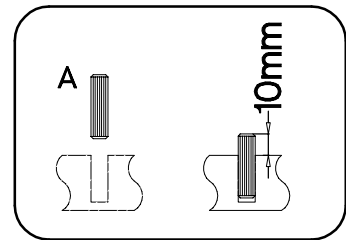
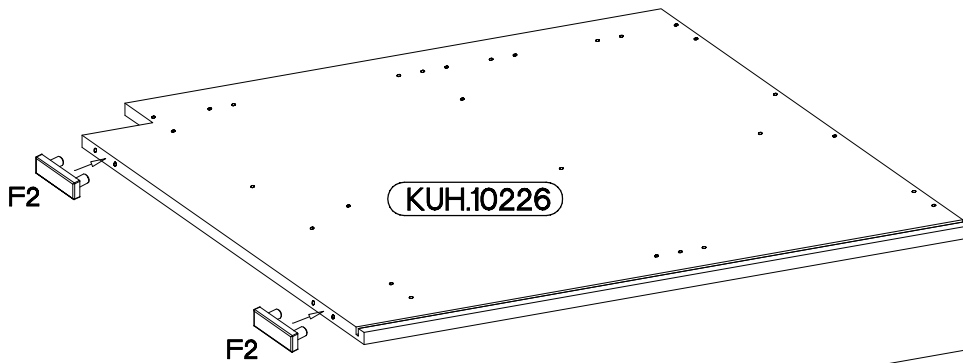
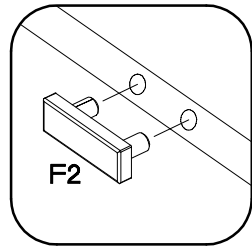
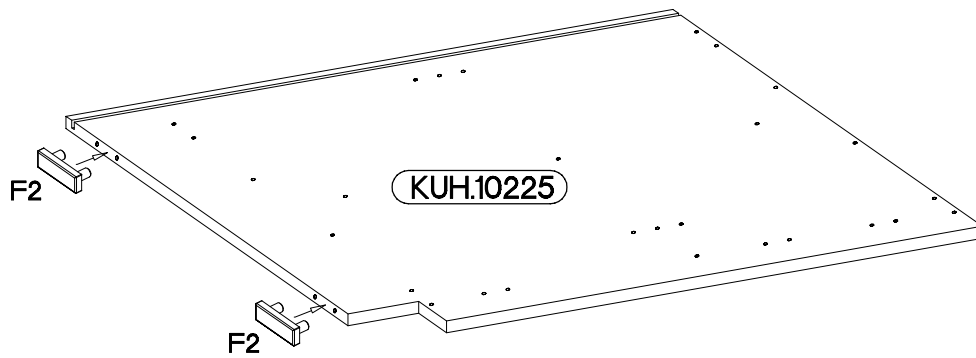
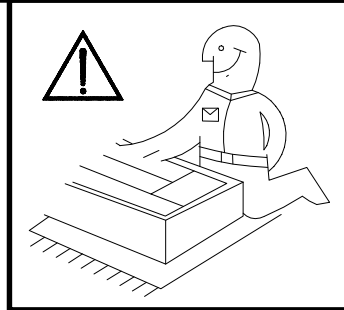


 A	 B	 E1	 E9	 F2	 G7	 G8	 H
8	10	8	4	5	2	2	4
 J	 O	 P4	 P5	 P7	 R3	 S23	 U
5	1	4	8	20-25	4	1	2



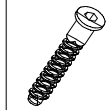
**ISM-KUH-00930**

±8x30mm  A 8	6.5x48x16  F2 5	 G7 2	 G8 2	 H 2	±3.5x13mm  P5 8
---	--	---	---	--	--



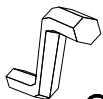
2

6,4 x 50mm



B

4



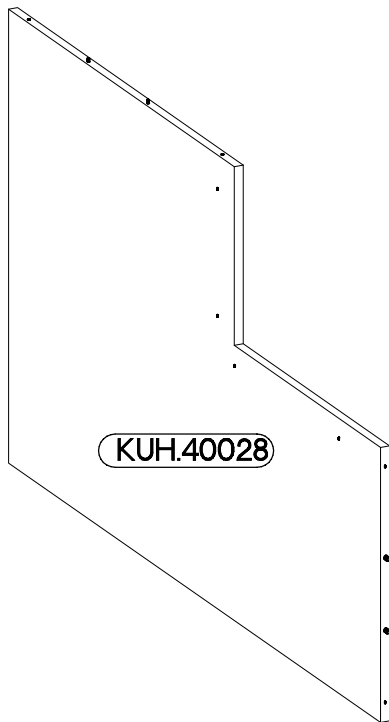
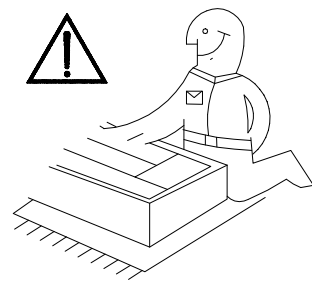
O

1

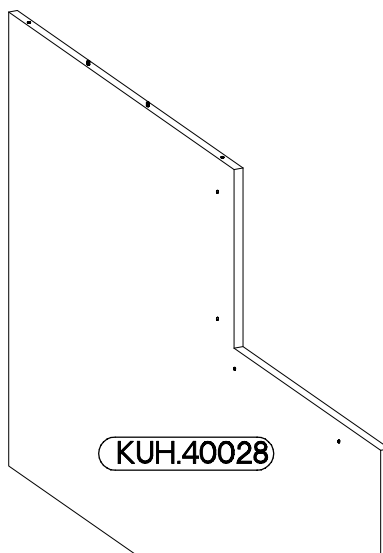


E1

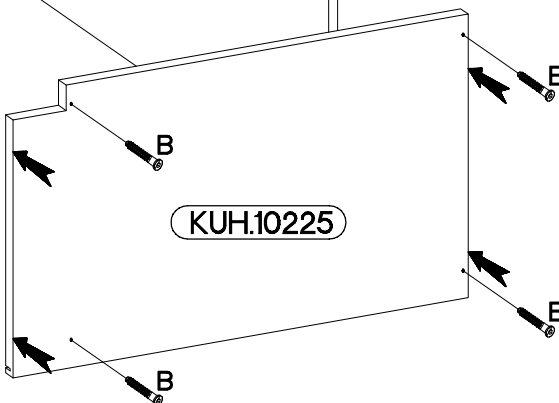
4



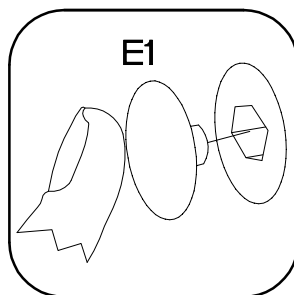
KUH.40028



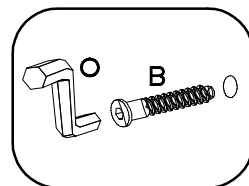
KUH.40028



KUH.10225

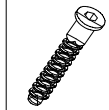


E1



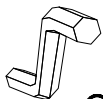
3

6,4 x 50mm



B

4



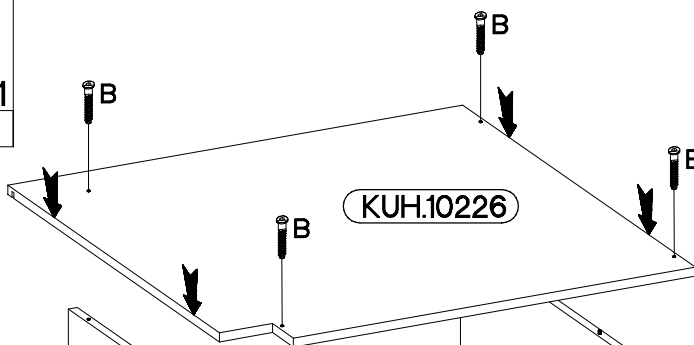
O

1

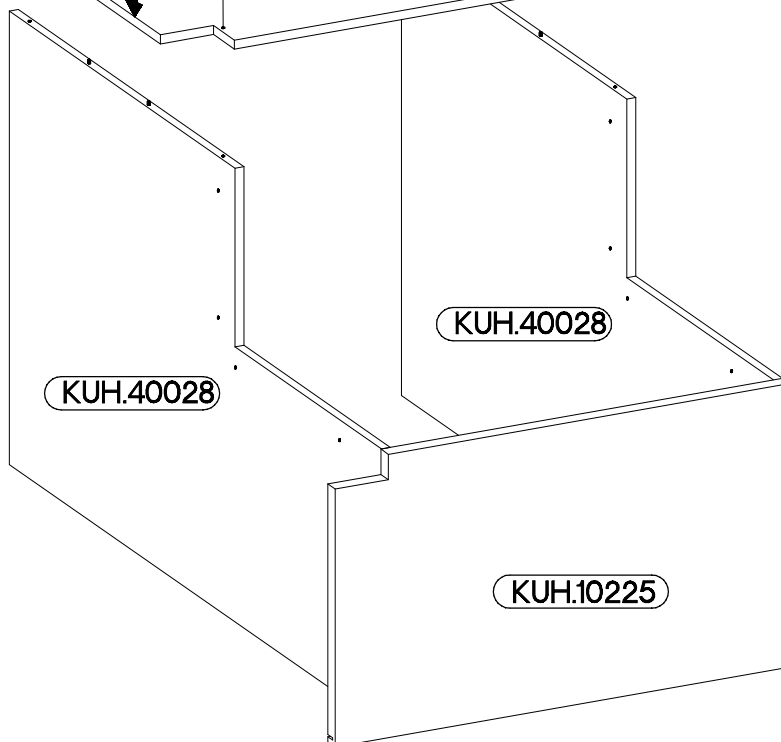


E1

4



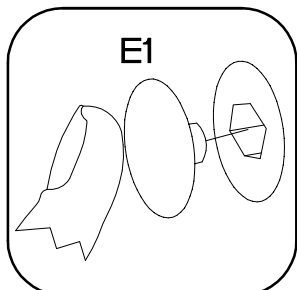
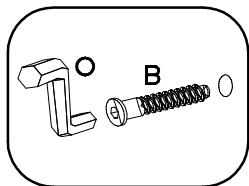
KUH.10226



KUH.40028


KUH.40028

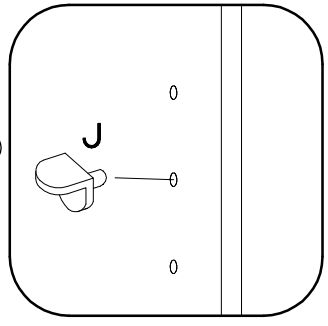
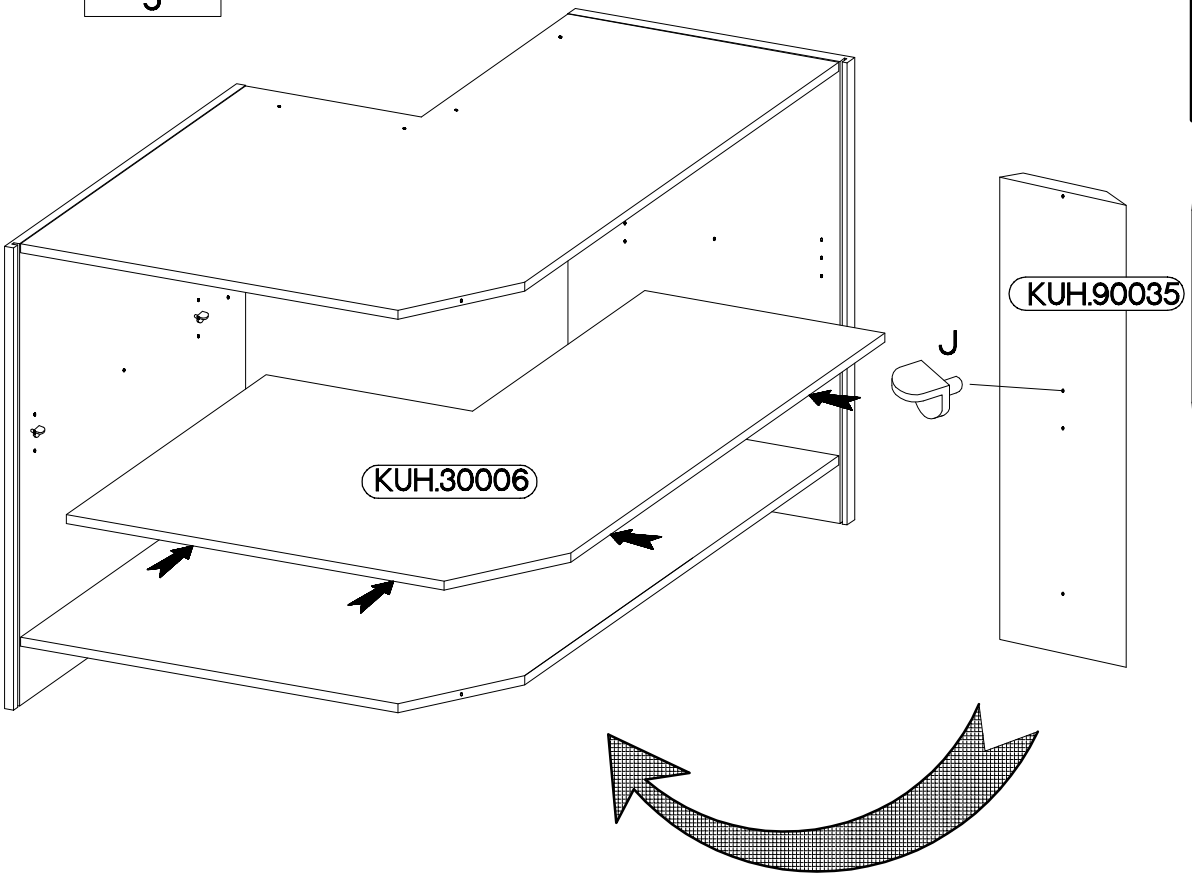
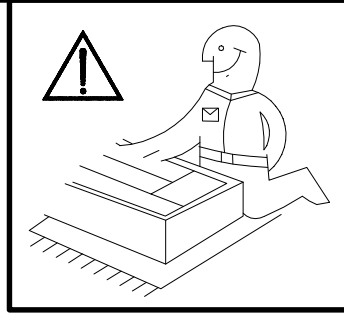
KUH.10225




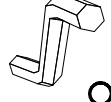
E1

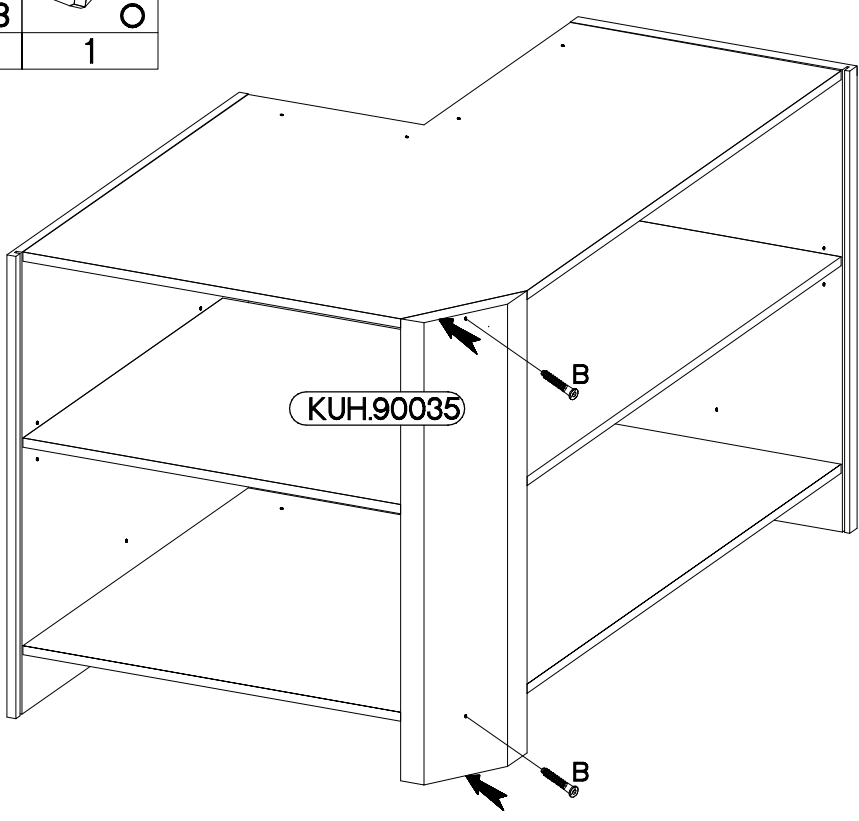
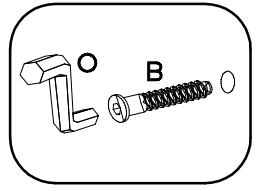
4

±5/19mm

J
5



5

6,4 x 50mm	
	
B	O
2	1



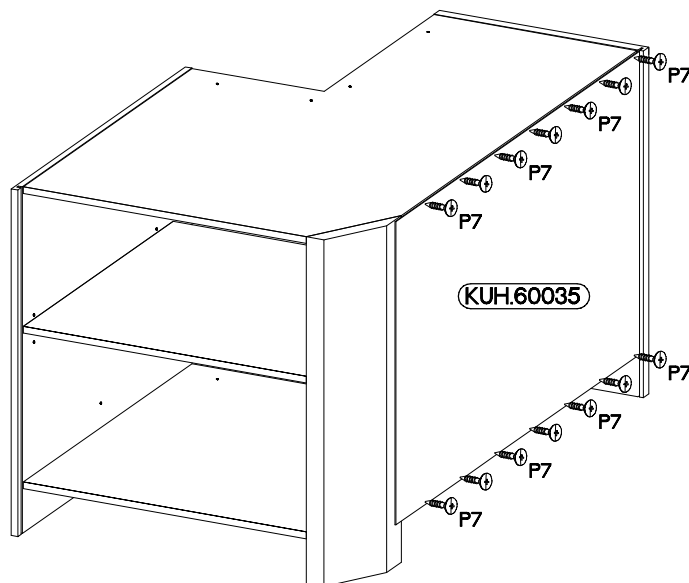
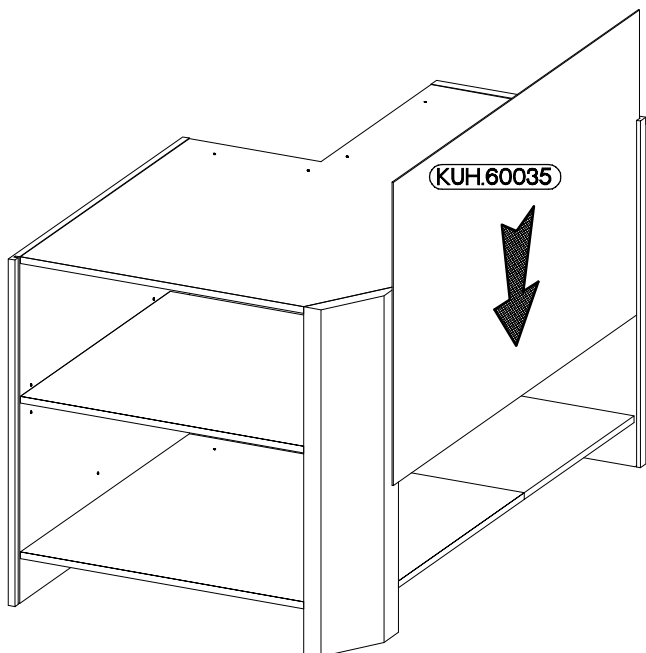
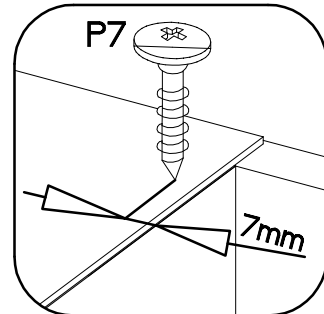
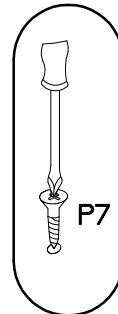
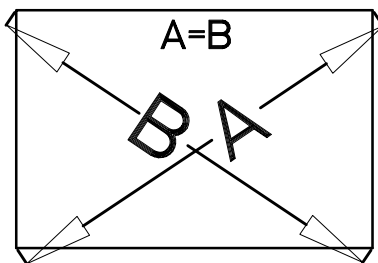
6

±3.0x20mm



P7

10-15



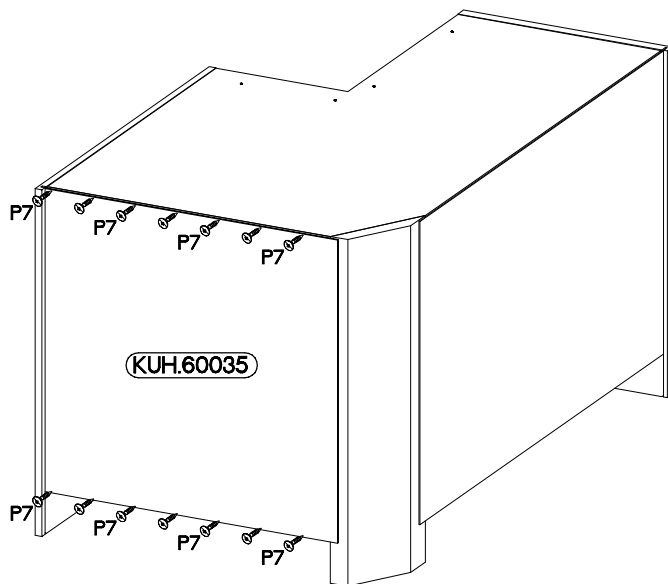
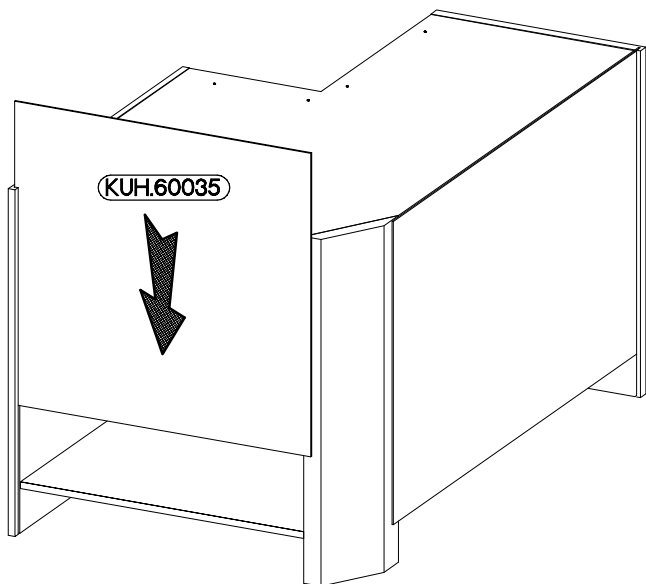
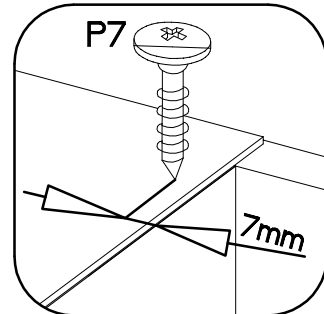
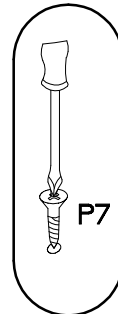
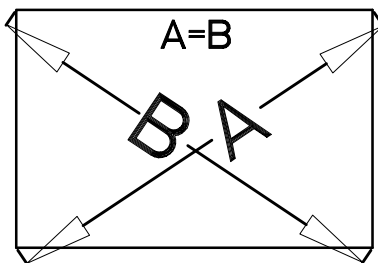
7

±3.0x20mm





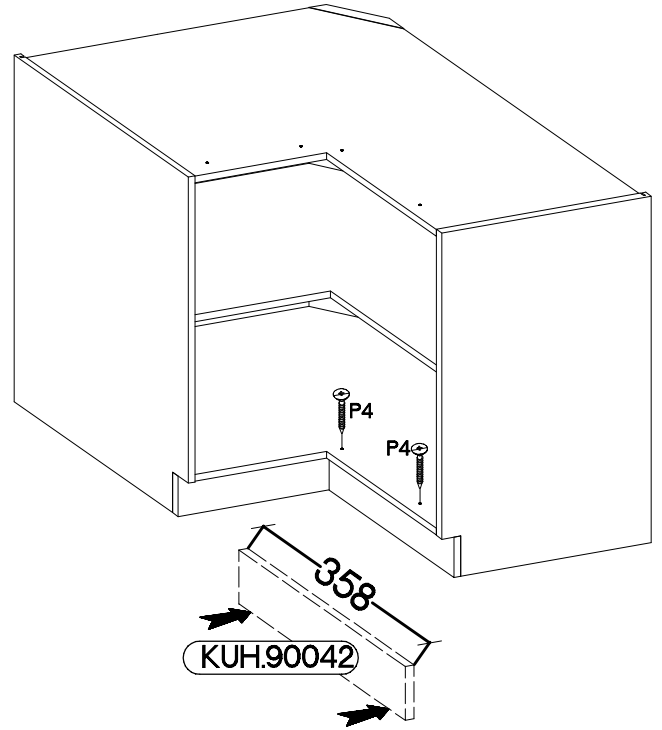
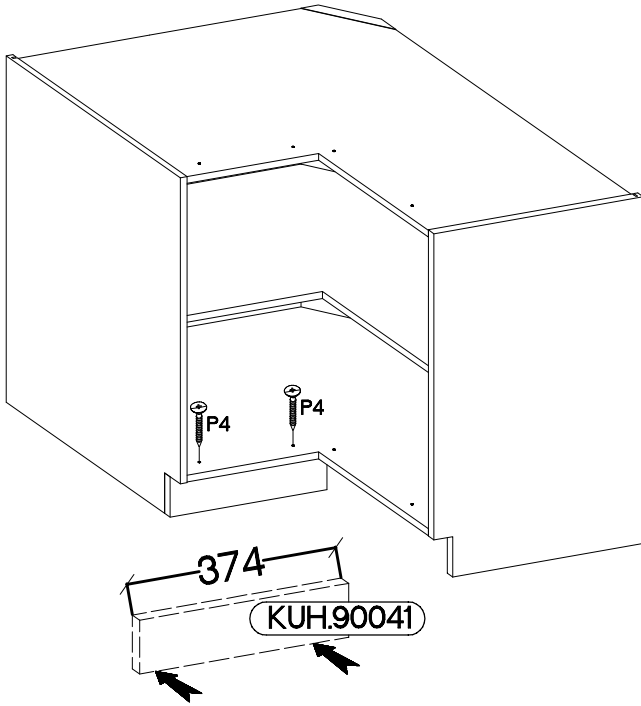
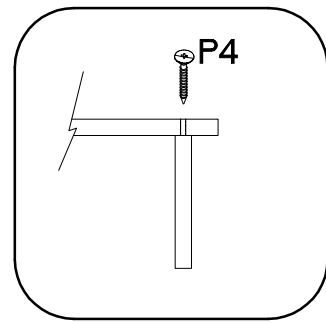
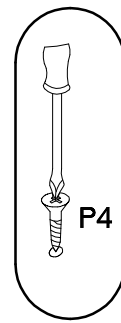
P7

10-15




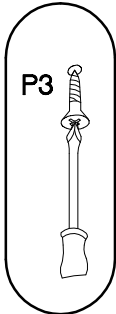
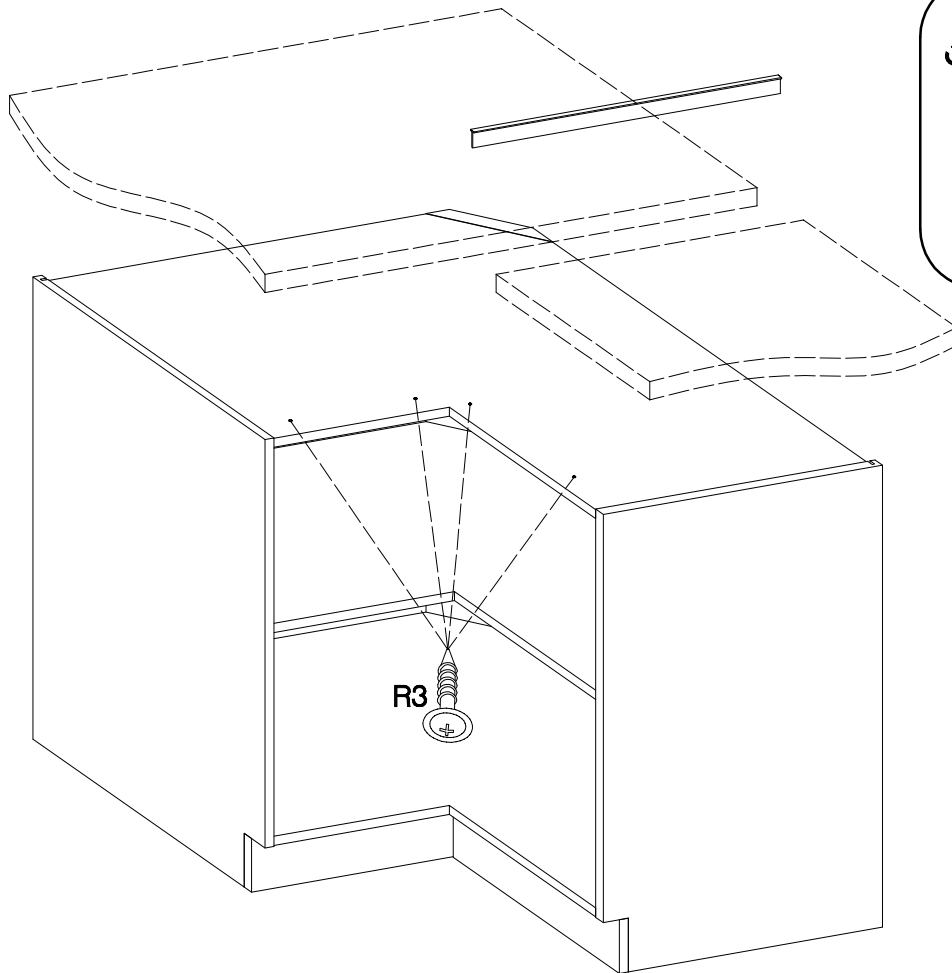
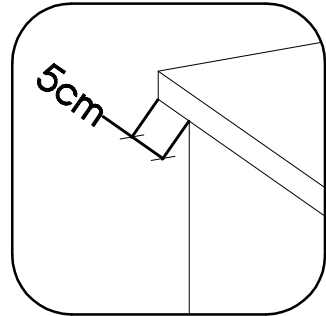
8

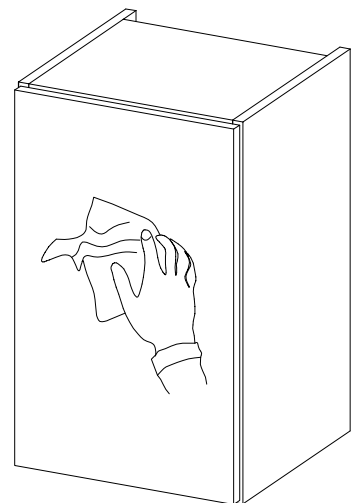
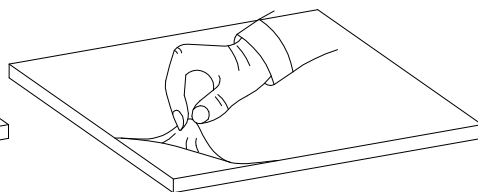
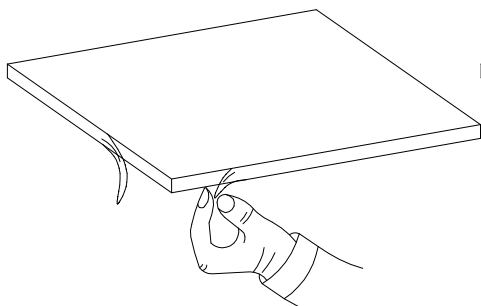
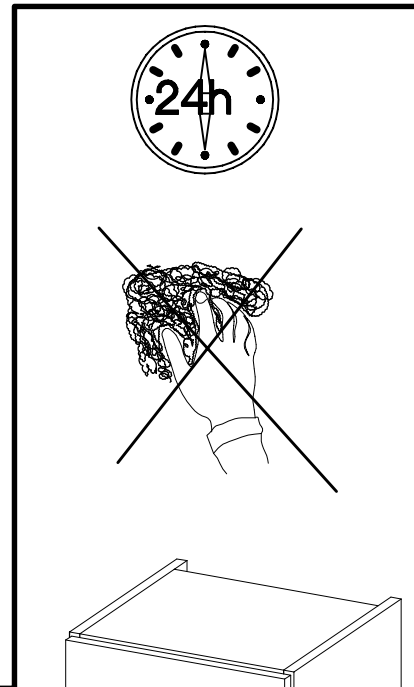
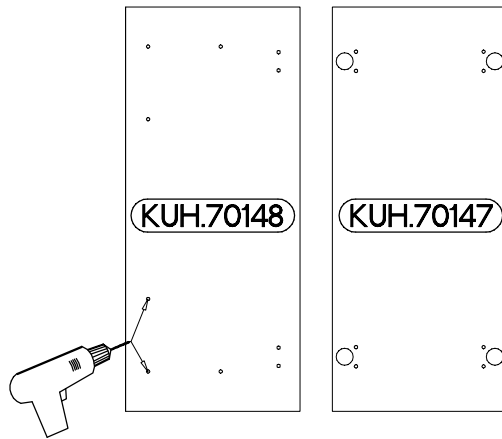
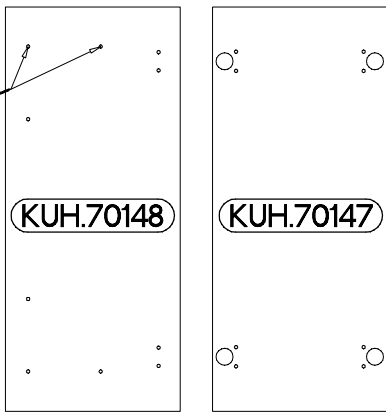
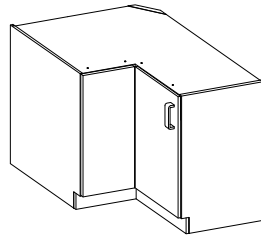
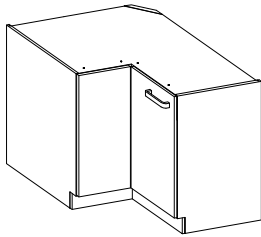
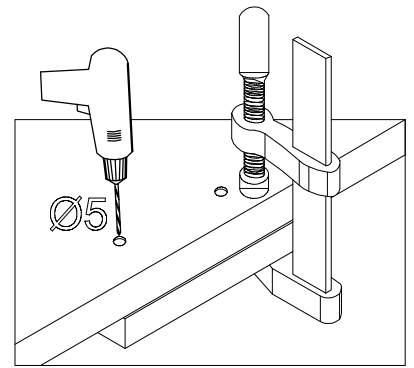
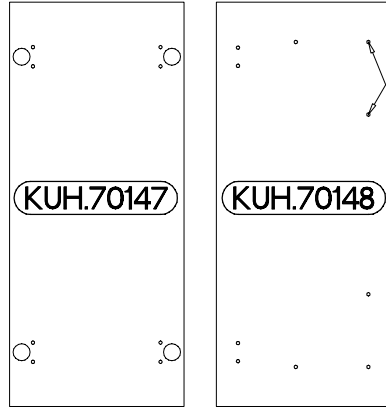
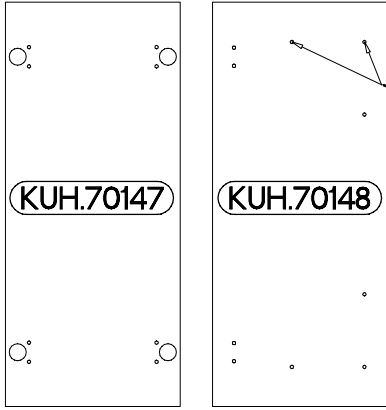
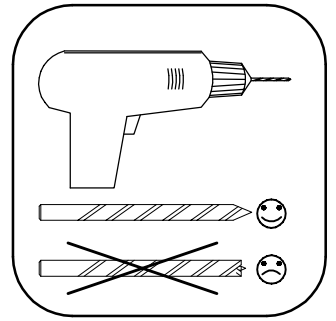
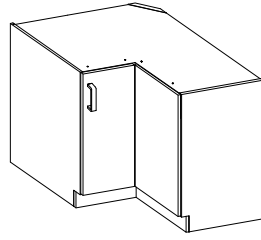
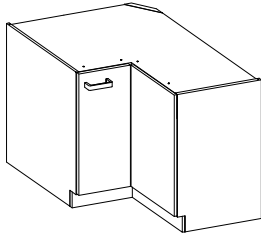
$\pm 4.0 \times 45 \text{mm}$  P4 4	 E9 4
--	---



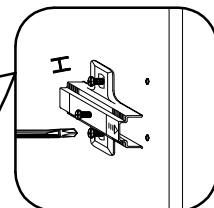
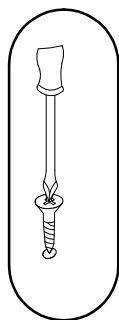
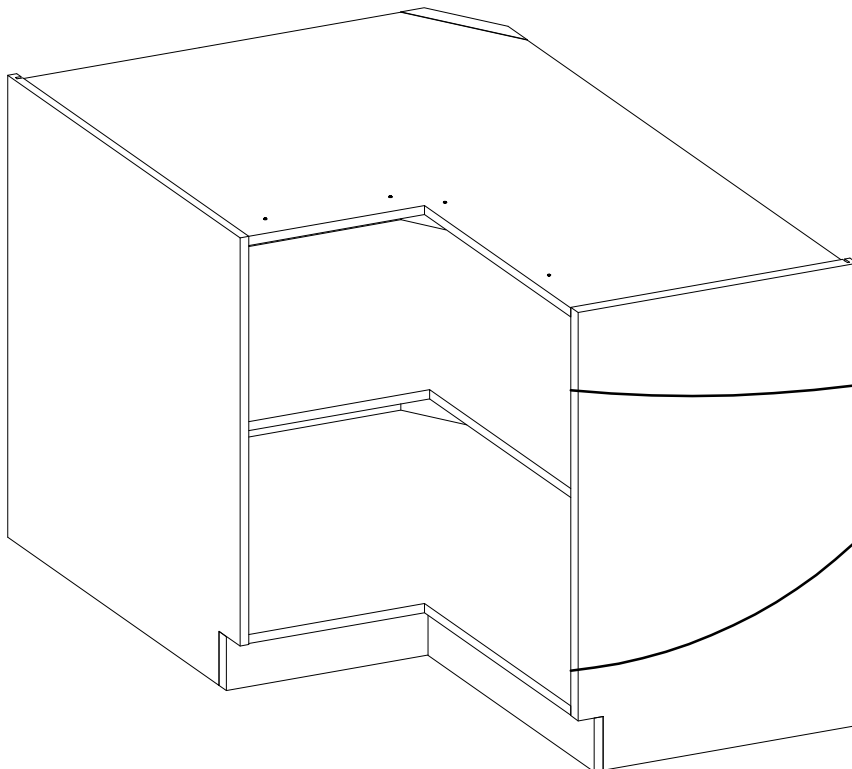
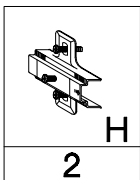
9

$\pm 4.0 \times 35 \text{mm}$  R3 4
---





11



12

