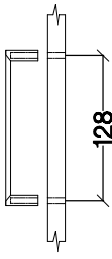
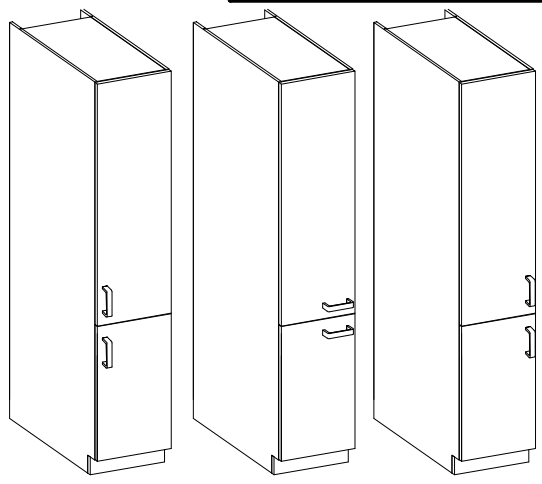
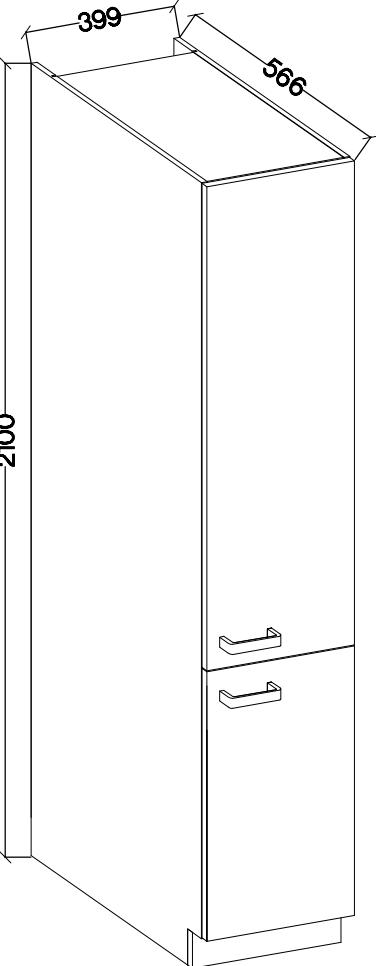
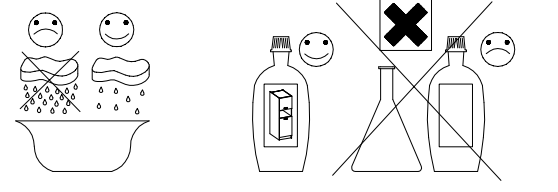
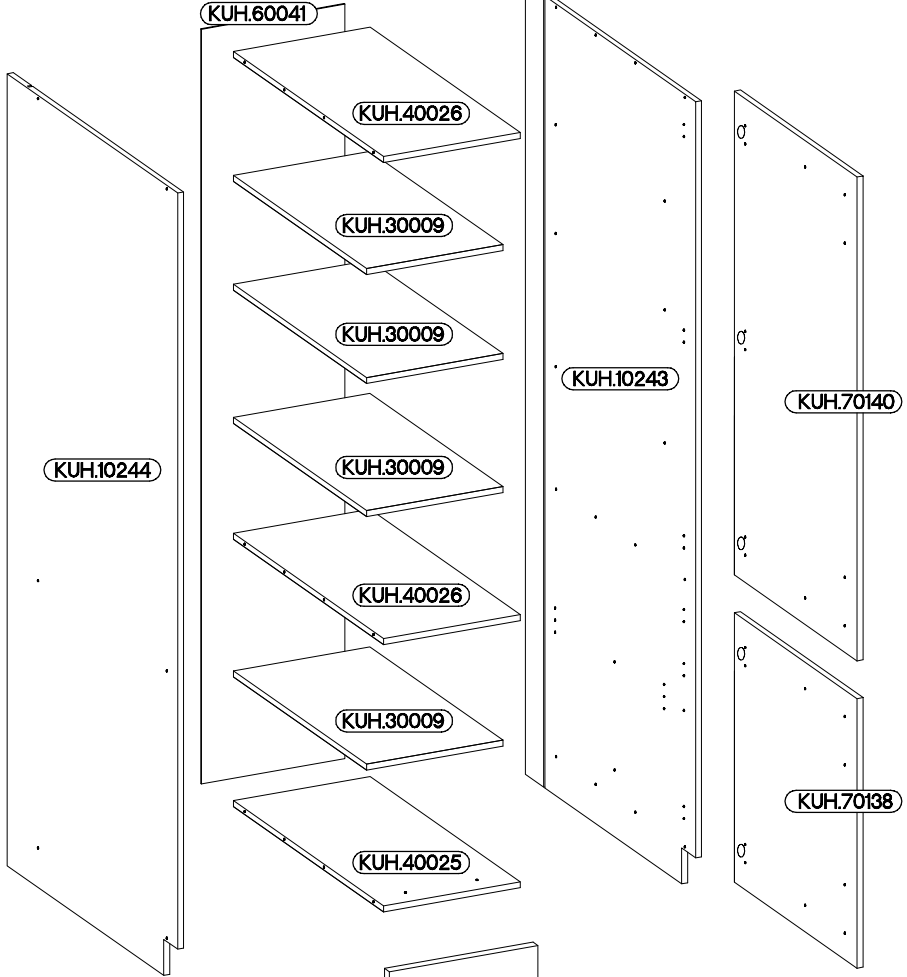
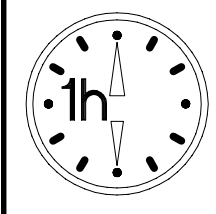


40 DK-2100 2F



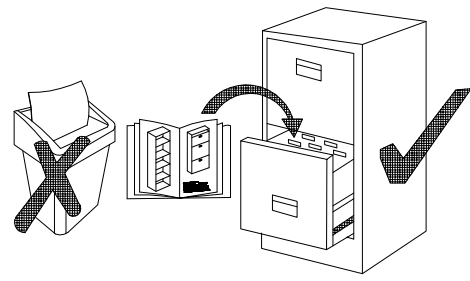
max.
5kg

KUH.30009
KUH.40025
KUH.40026


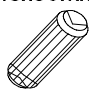
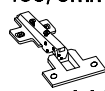



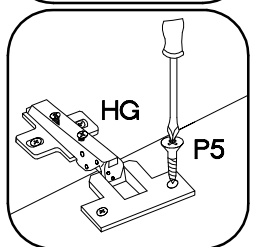
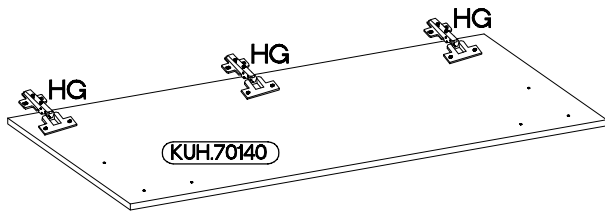
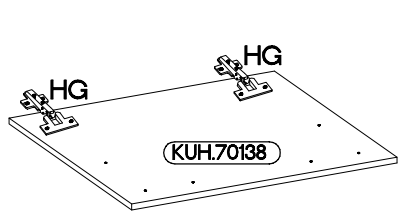
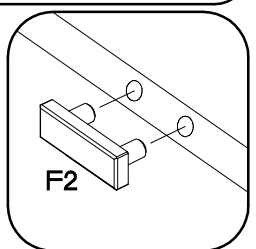
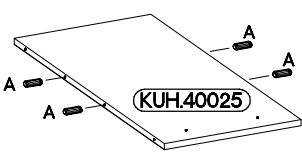
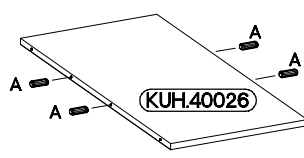
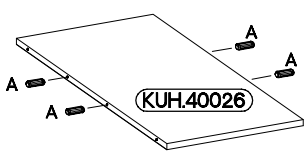
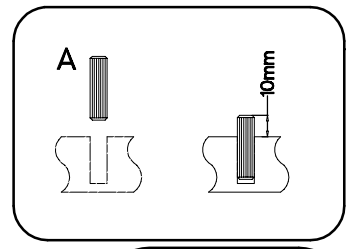
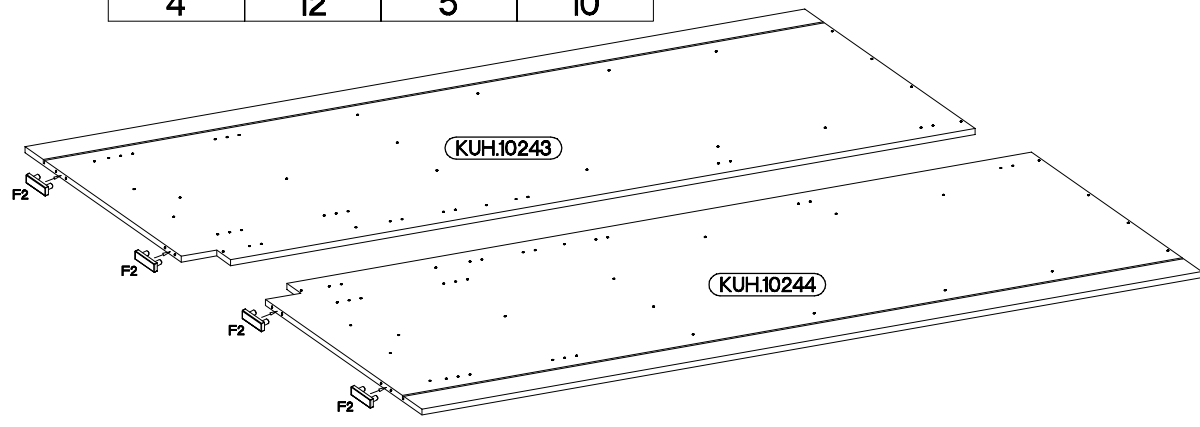
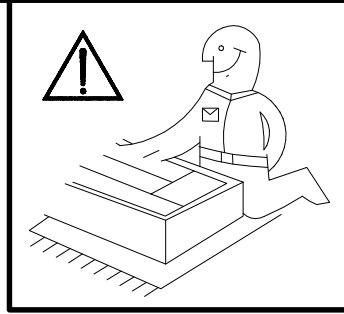
(KUH.90039)

+8x30mm A 12	6,4 x 50mm B 12	 E1 12	 E9 2	6.5x48x16 F2 4	+35/0mm HG 5	+5/19mm J 16
 L25 1	 O 1	+4.0x45mm P4 2	+3.5x13mm P5 12	+3.0x20mm P7 10-15	 S23 2	M4x22mm U 4

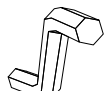




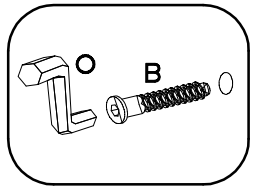
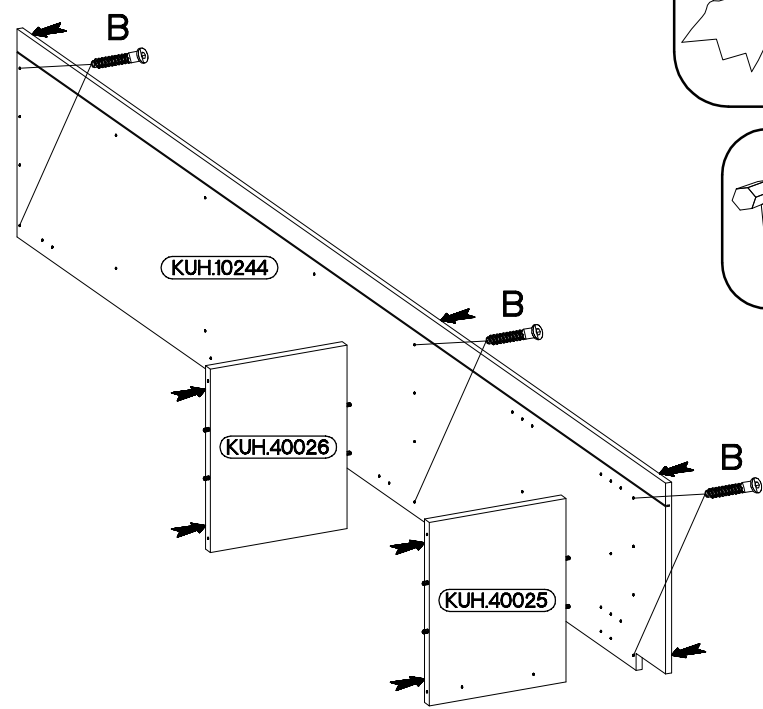
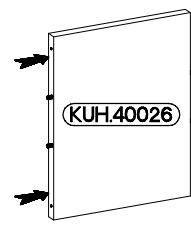
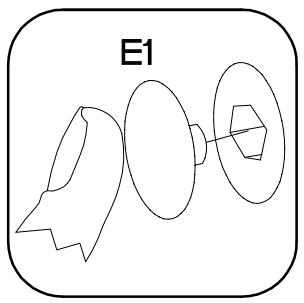
1

6.5x48x16	+8x30mm	+35/0mm	+3.5x13mm
			
F2	A	HG	P5
4	12	5	10



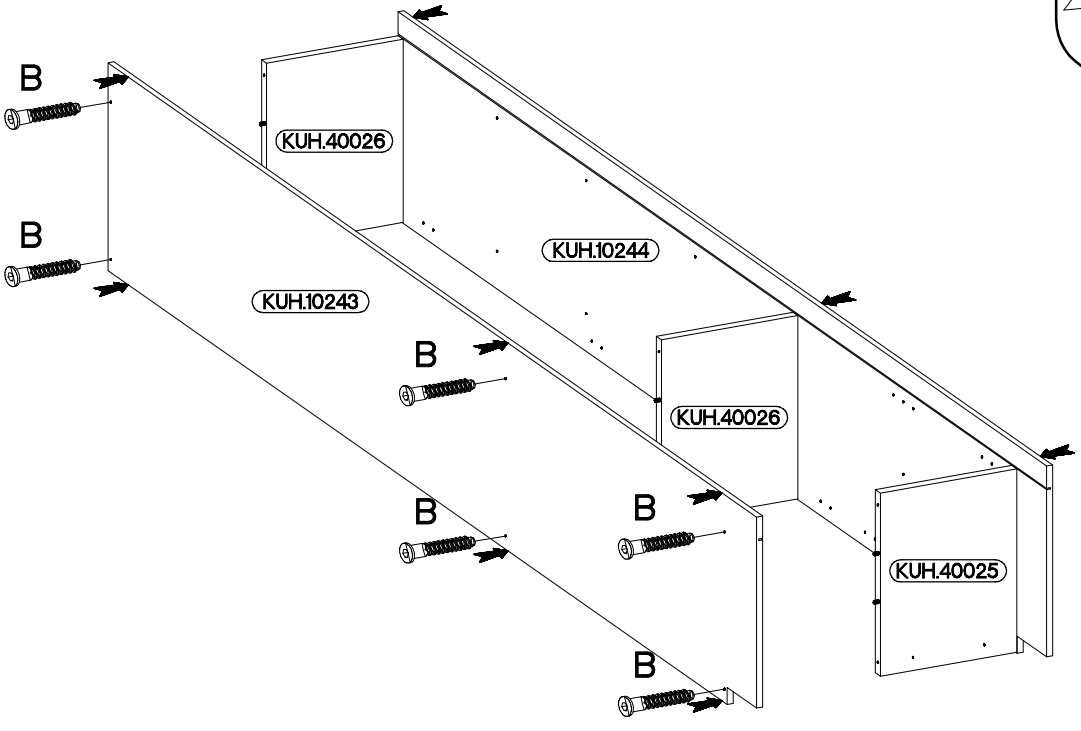
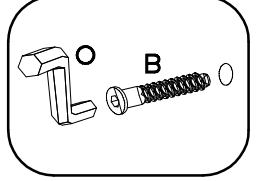
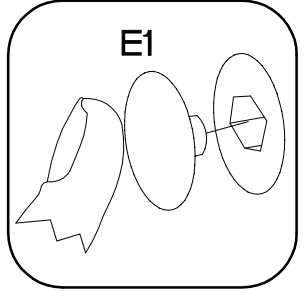
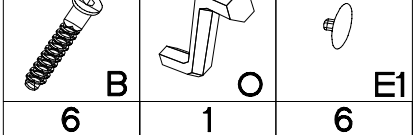
2

6,4 x 50mm			
B	O	E1	
6	1	6	

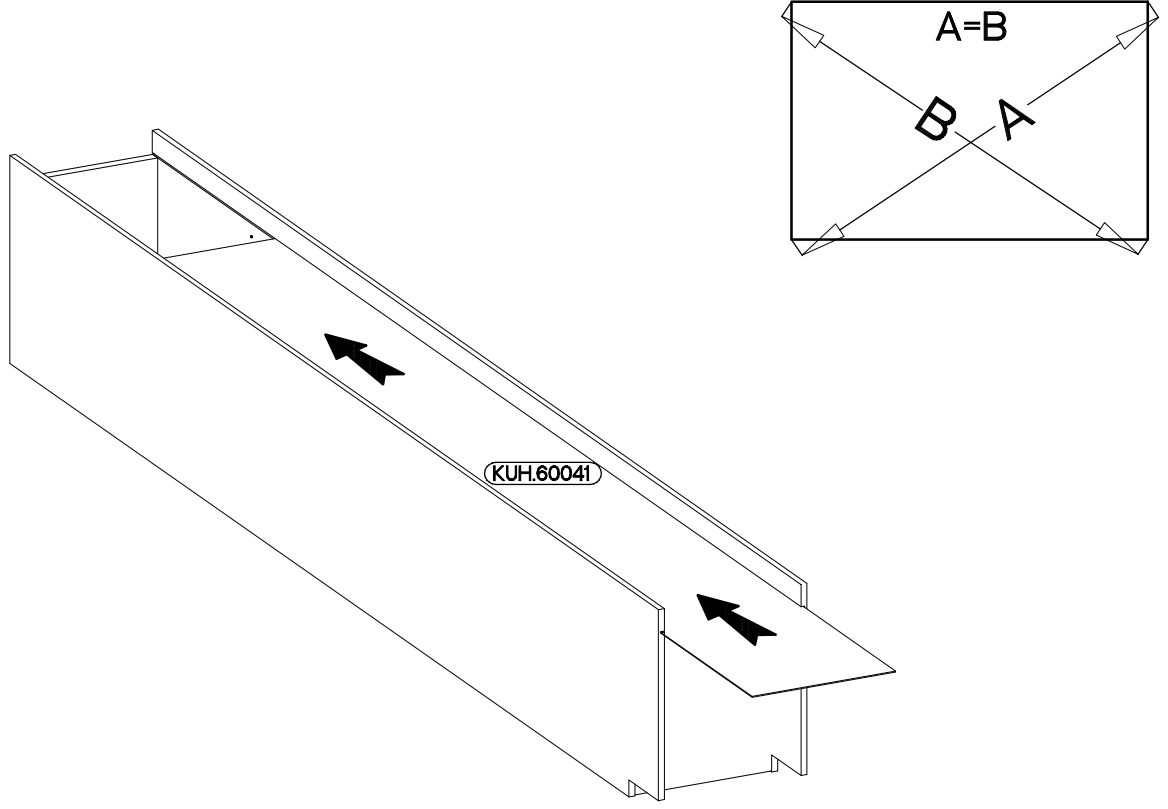


3


6,4 x 50mm

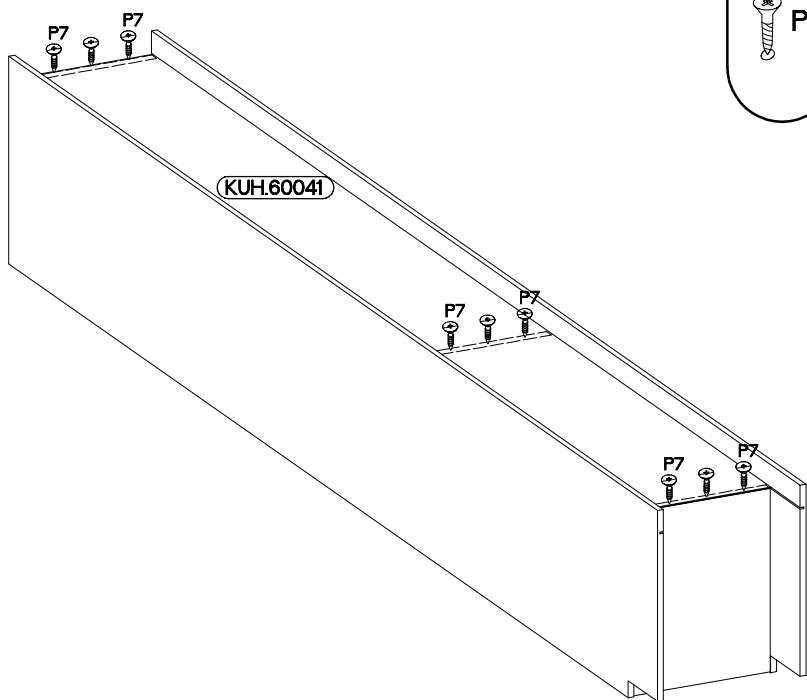
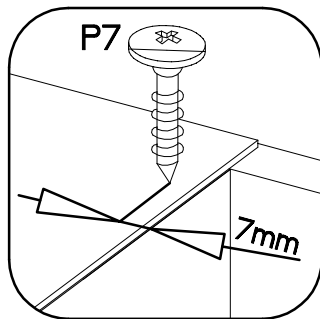
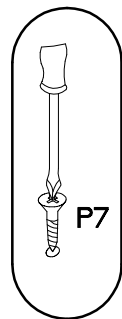


4





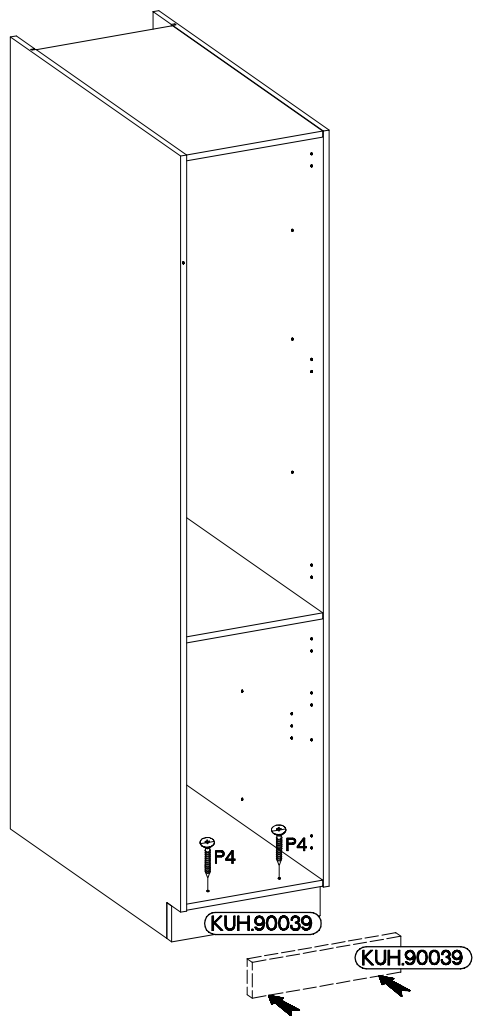
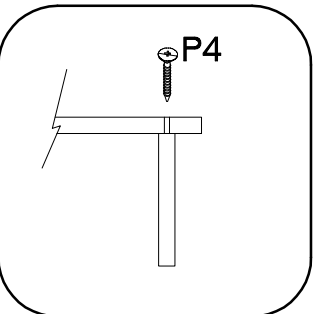
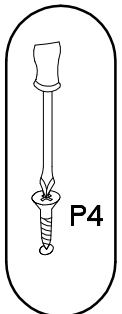
5

±3.0x20mm

P7
10-15



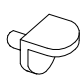
6

±4.0x45mm	
	E9
2	2



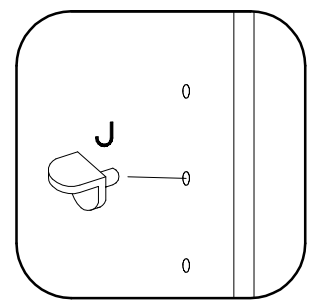
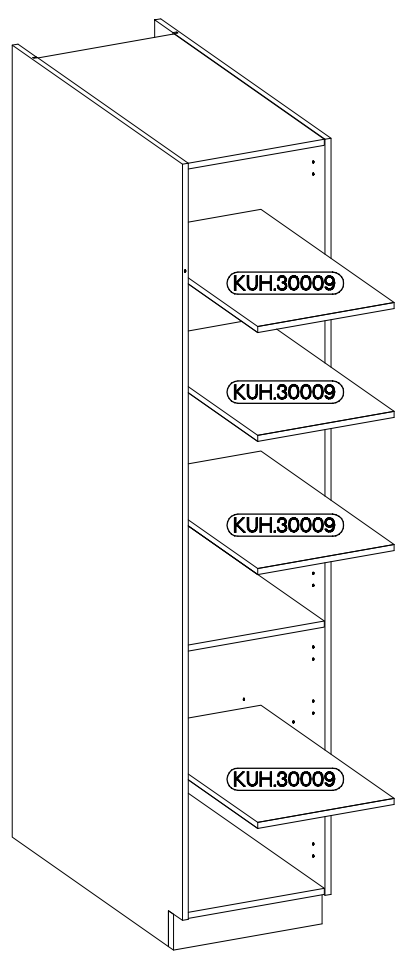
7

±5/19mm



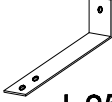
J

16




8

±3.5x13mm



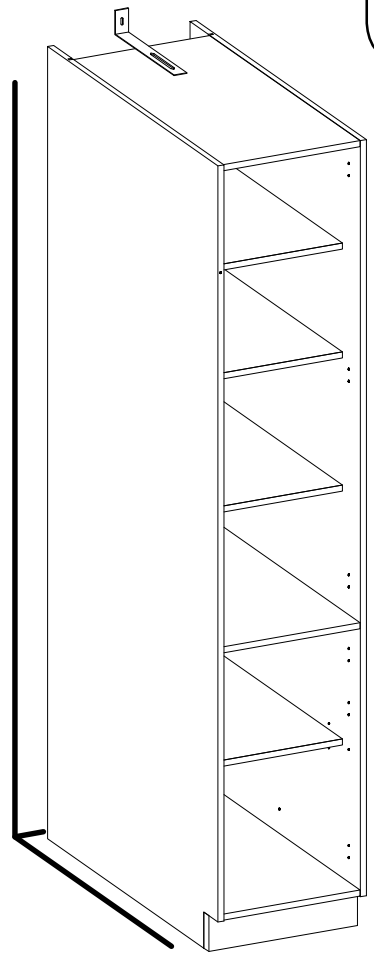
L25

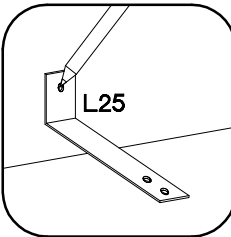
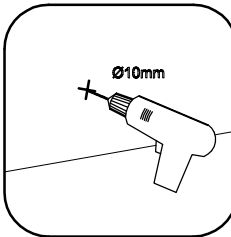
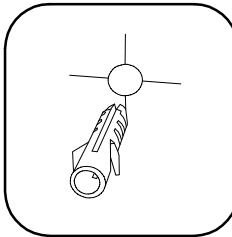
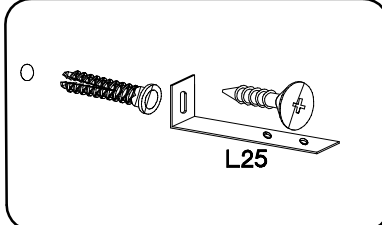
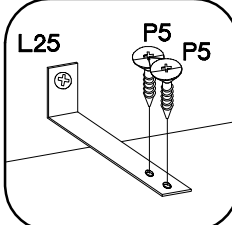
1

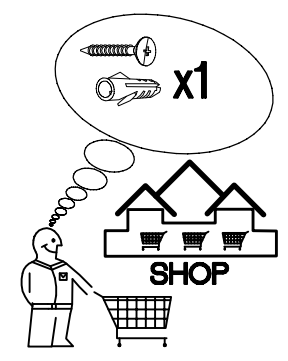
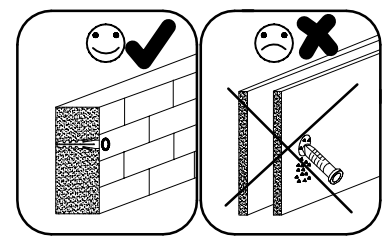


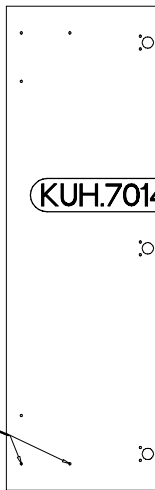
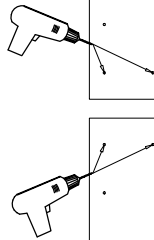
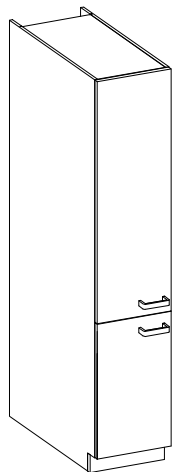
P5

2

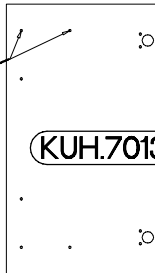


1. 
2. 
3. 
4. 
5. 

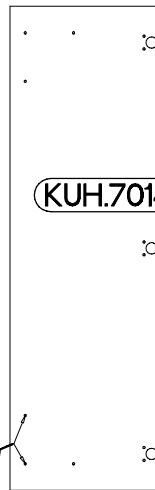
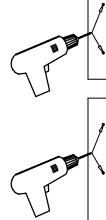
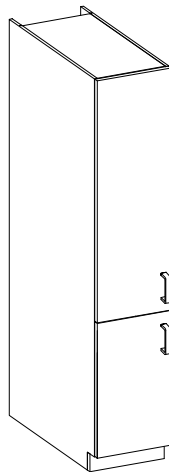




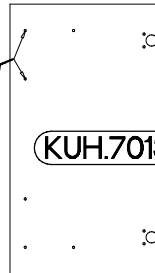
KUH.70140



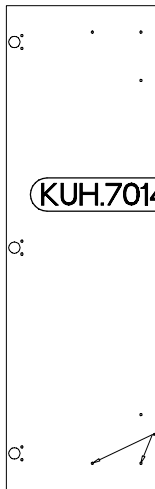
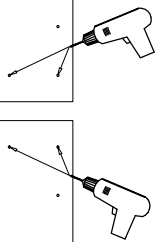
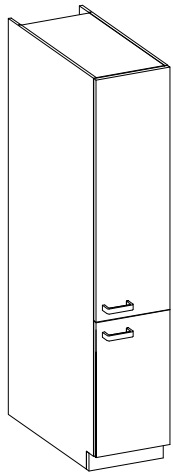
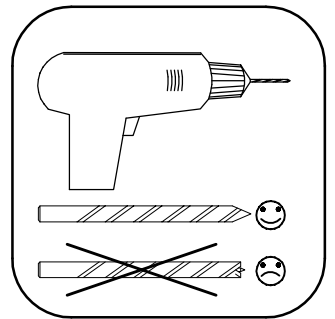
KUH.70138



KUH.70140



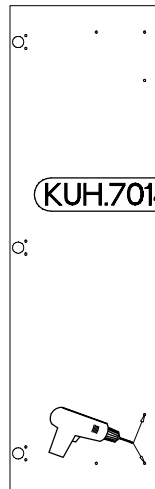
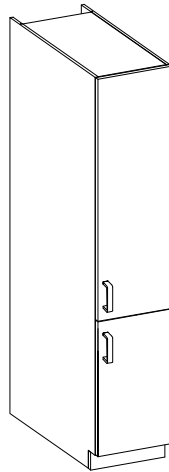
KUH.70138



KUH.70140



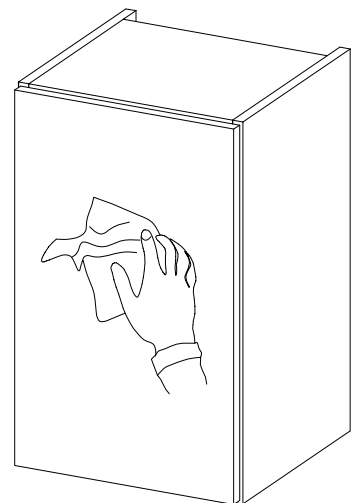
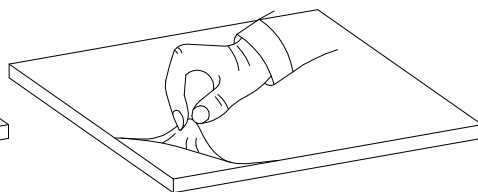
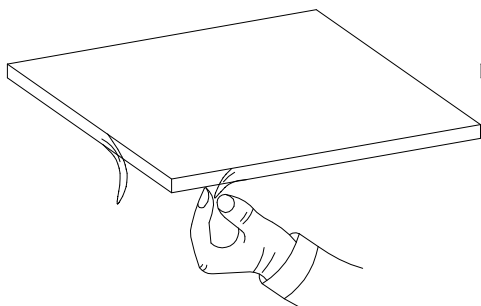
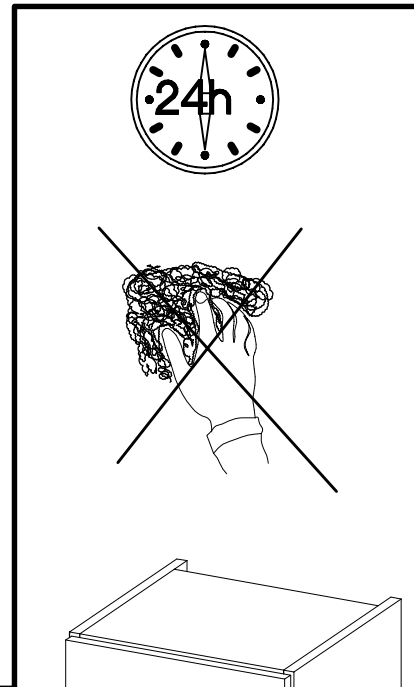
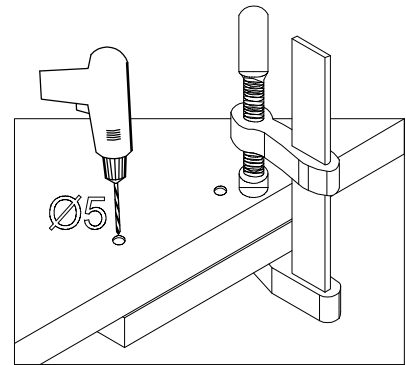
KUH.70138





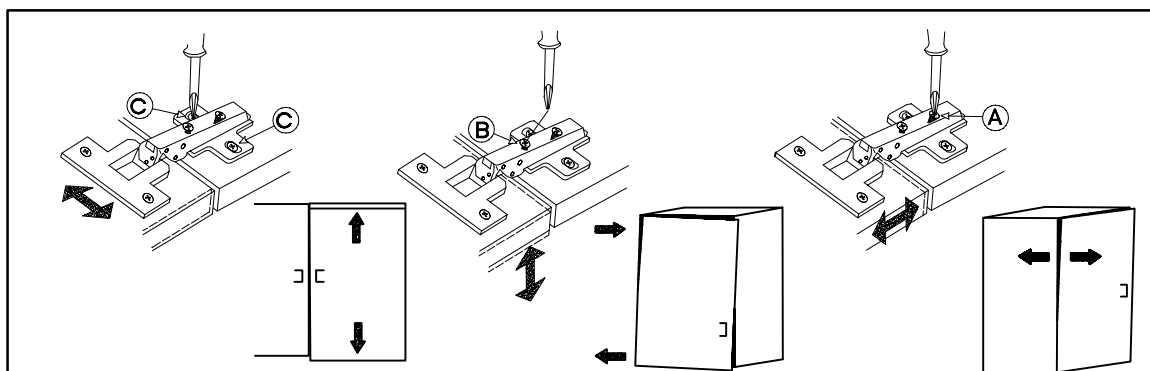
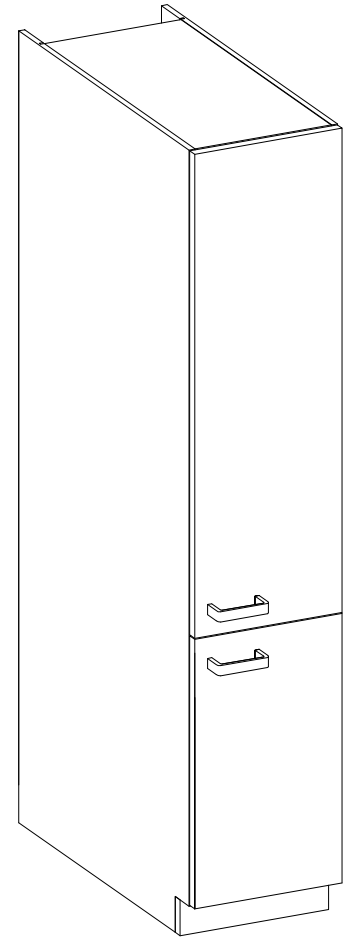
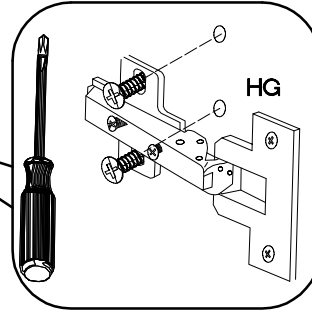
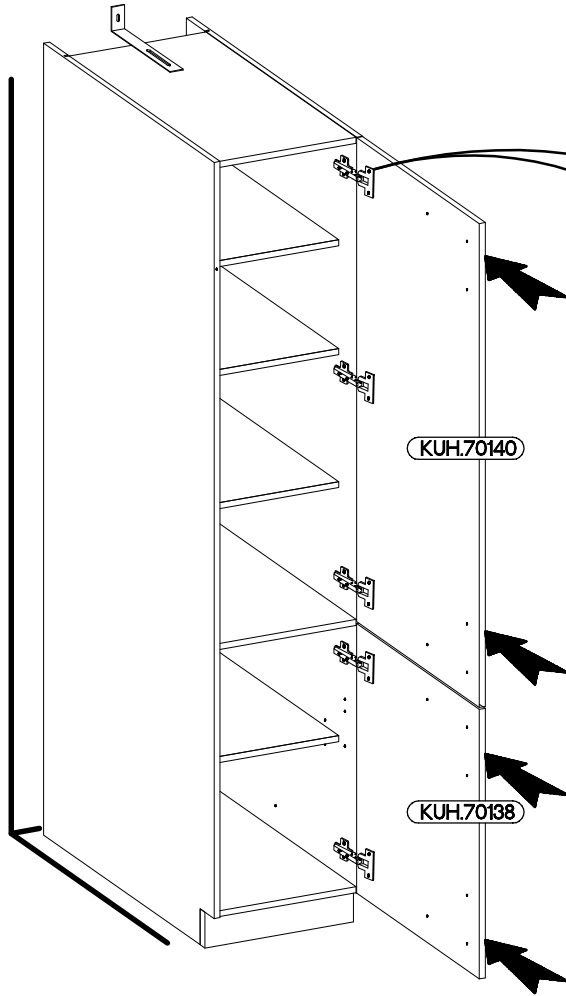
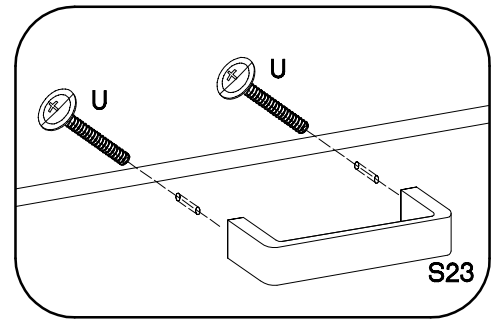
KUH.70140

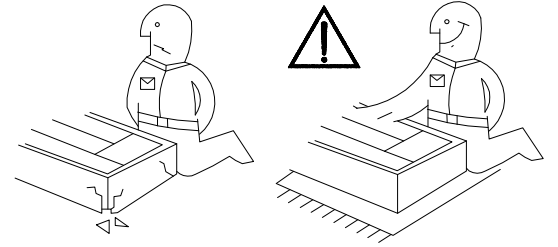
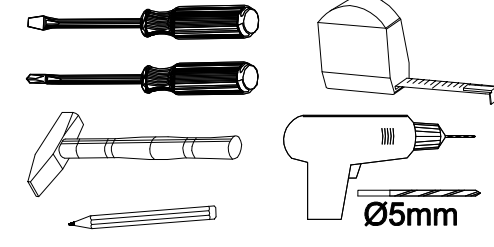
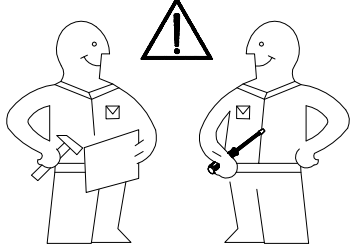


KUH.70138

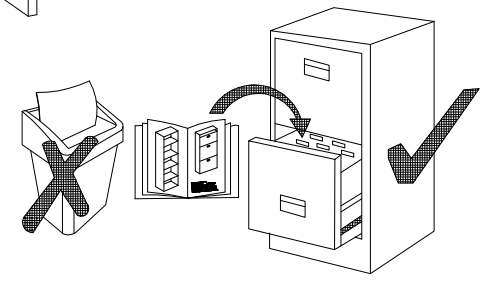
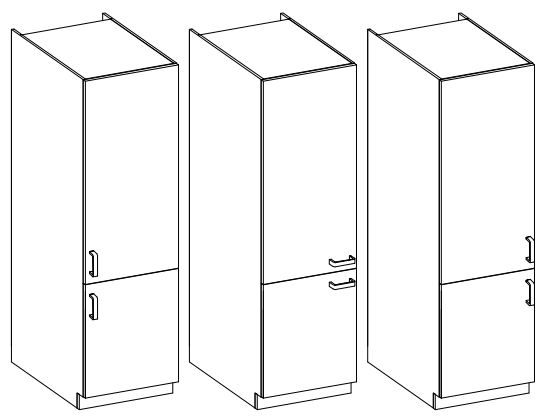
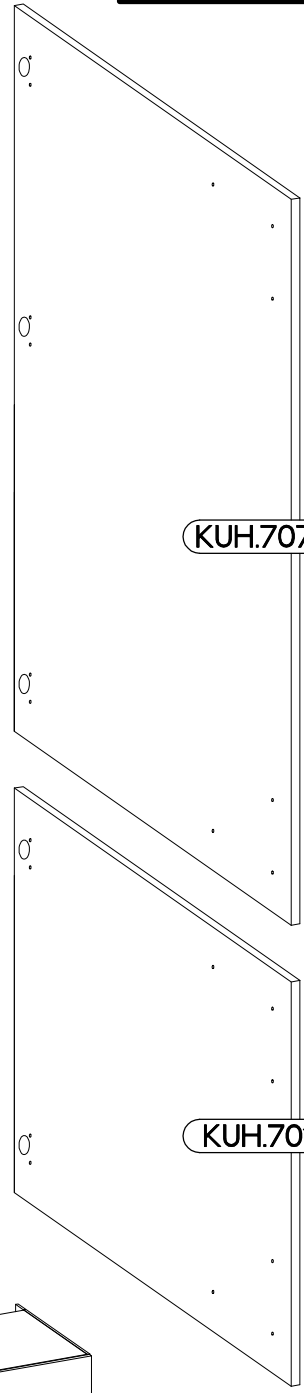
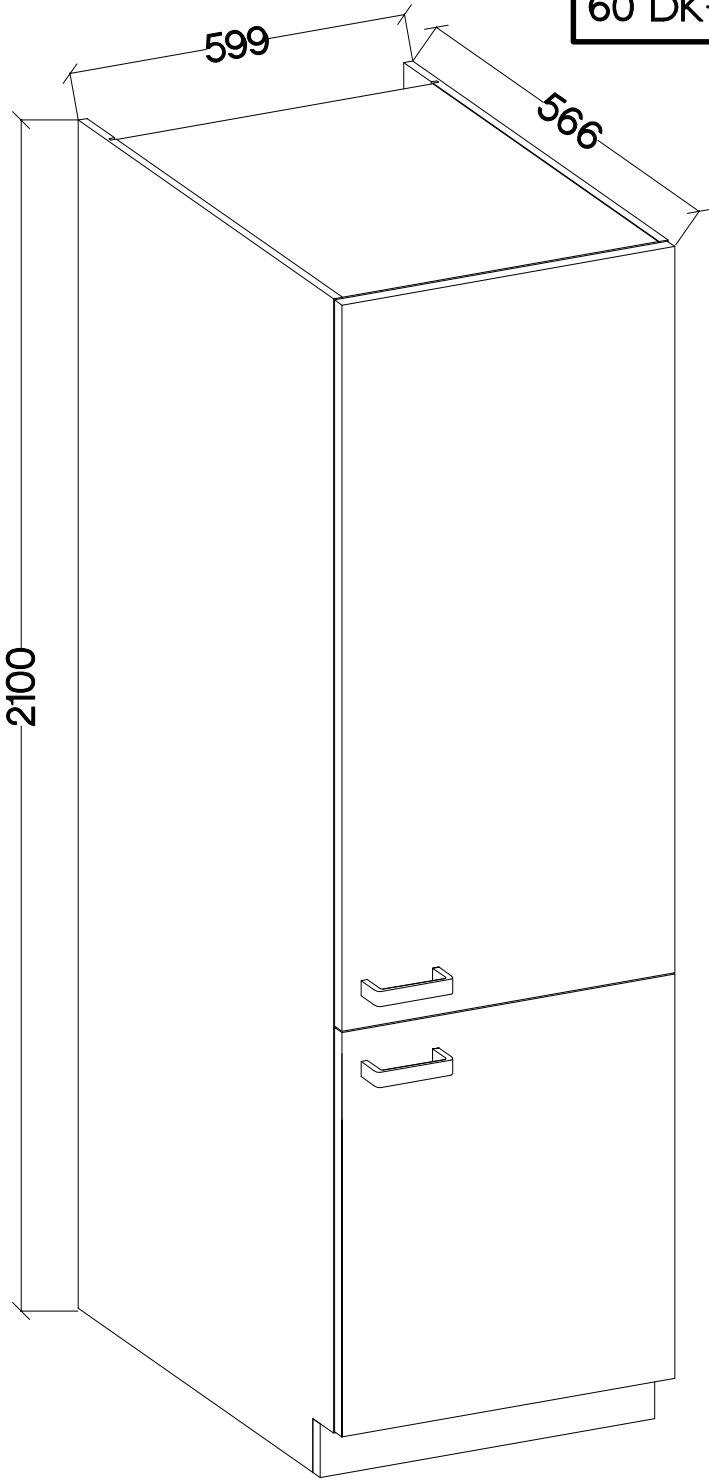
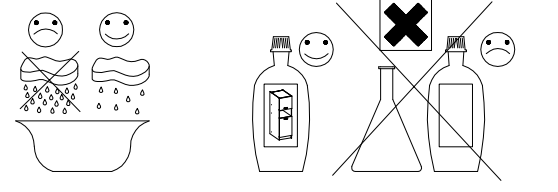


M4x22mm		
4	U	S23
		2



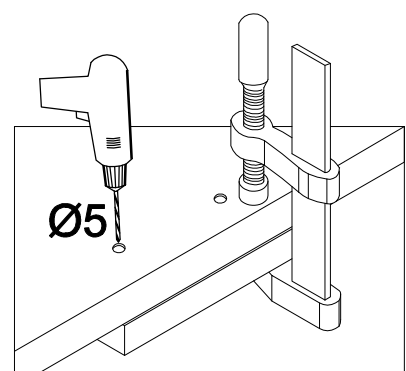
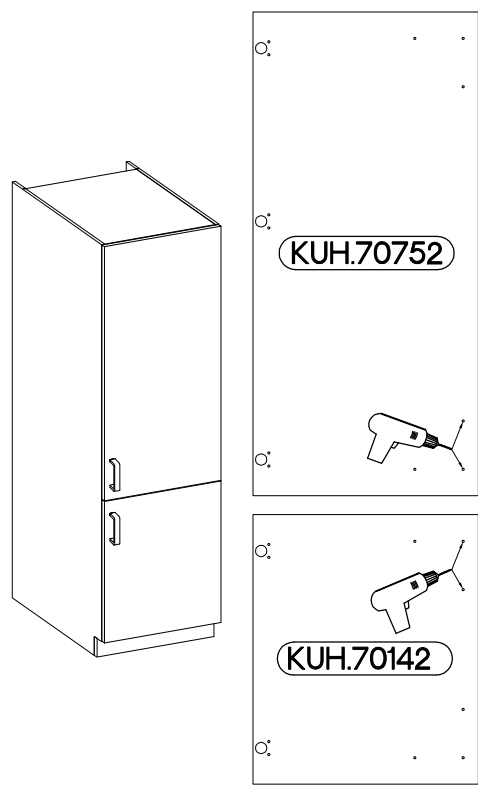
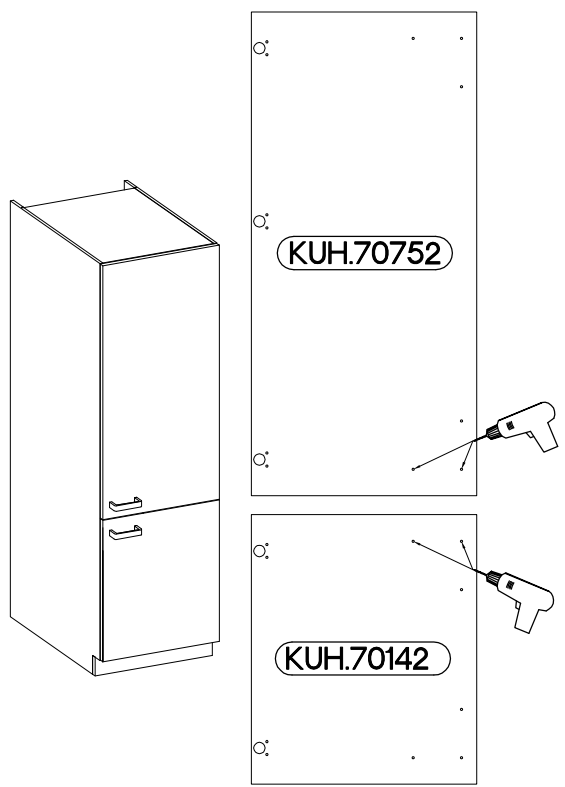
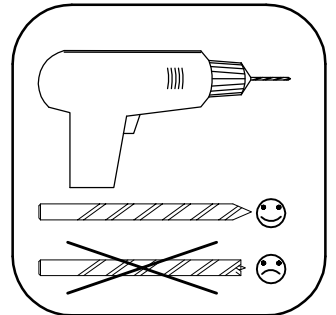
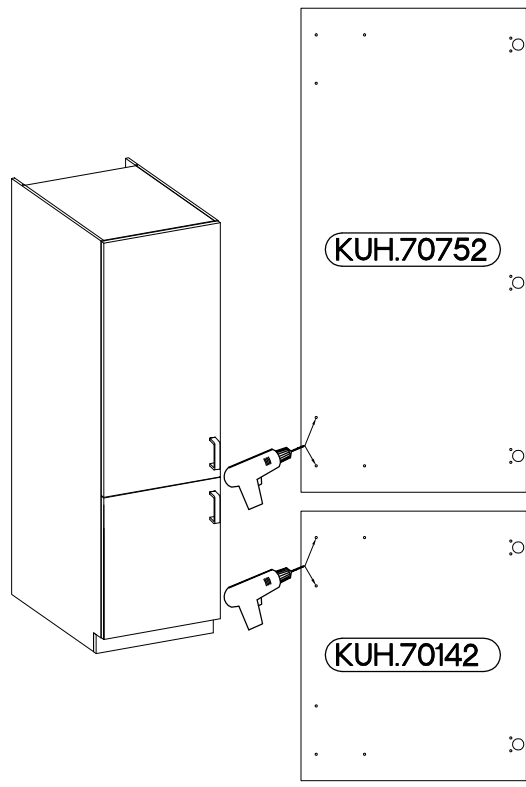
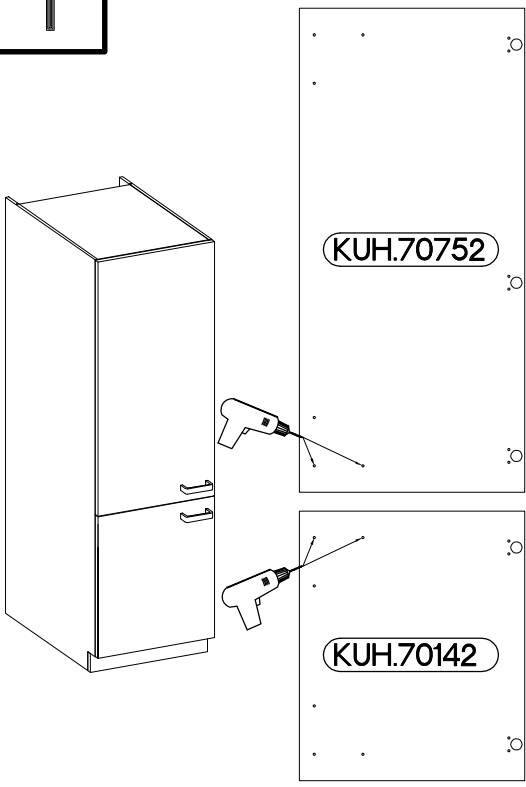


60 DK-2100 2F

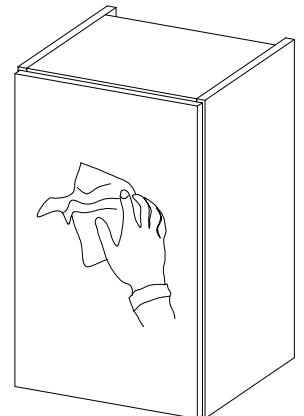
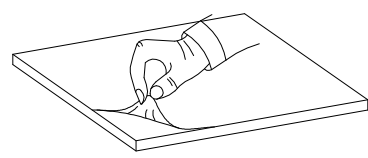
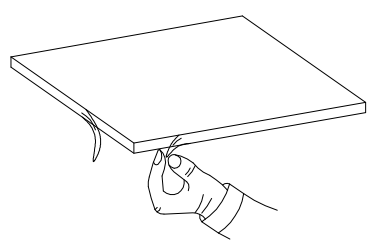


ISM-KUH-01104

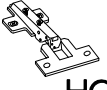

1

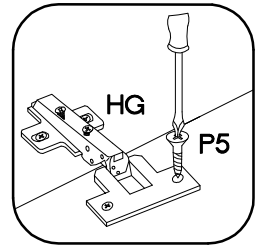
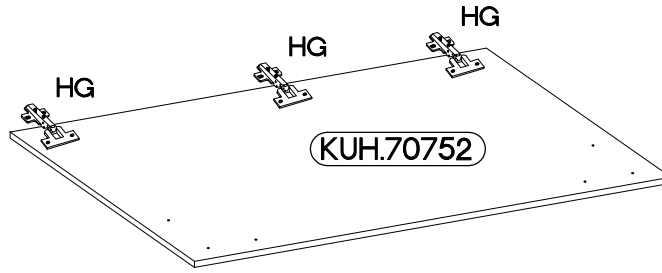
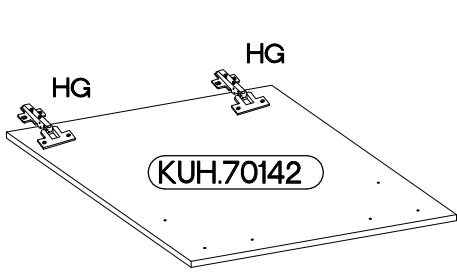


VARIANT HIGH GLOSS

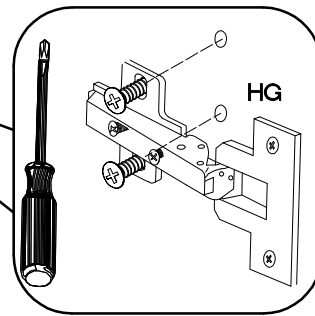
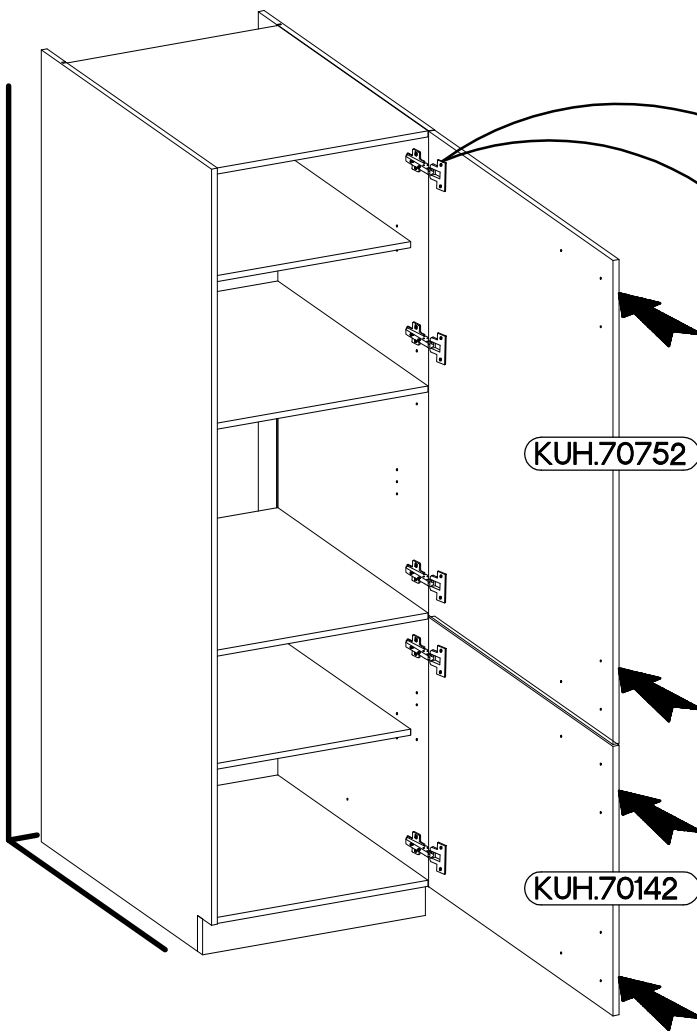




2

±35/0mm	±3.5x13mm
	
HG	P5
4	8



3



M4x22mm		
	U	S23
	4	2

