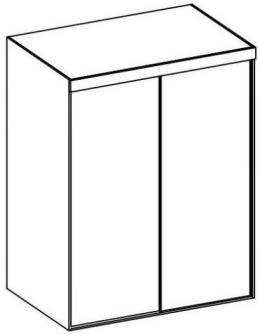








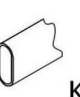
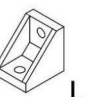


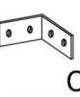
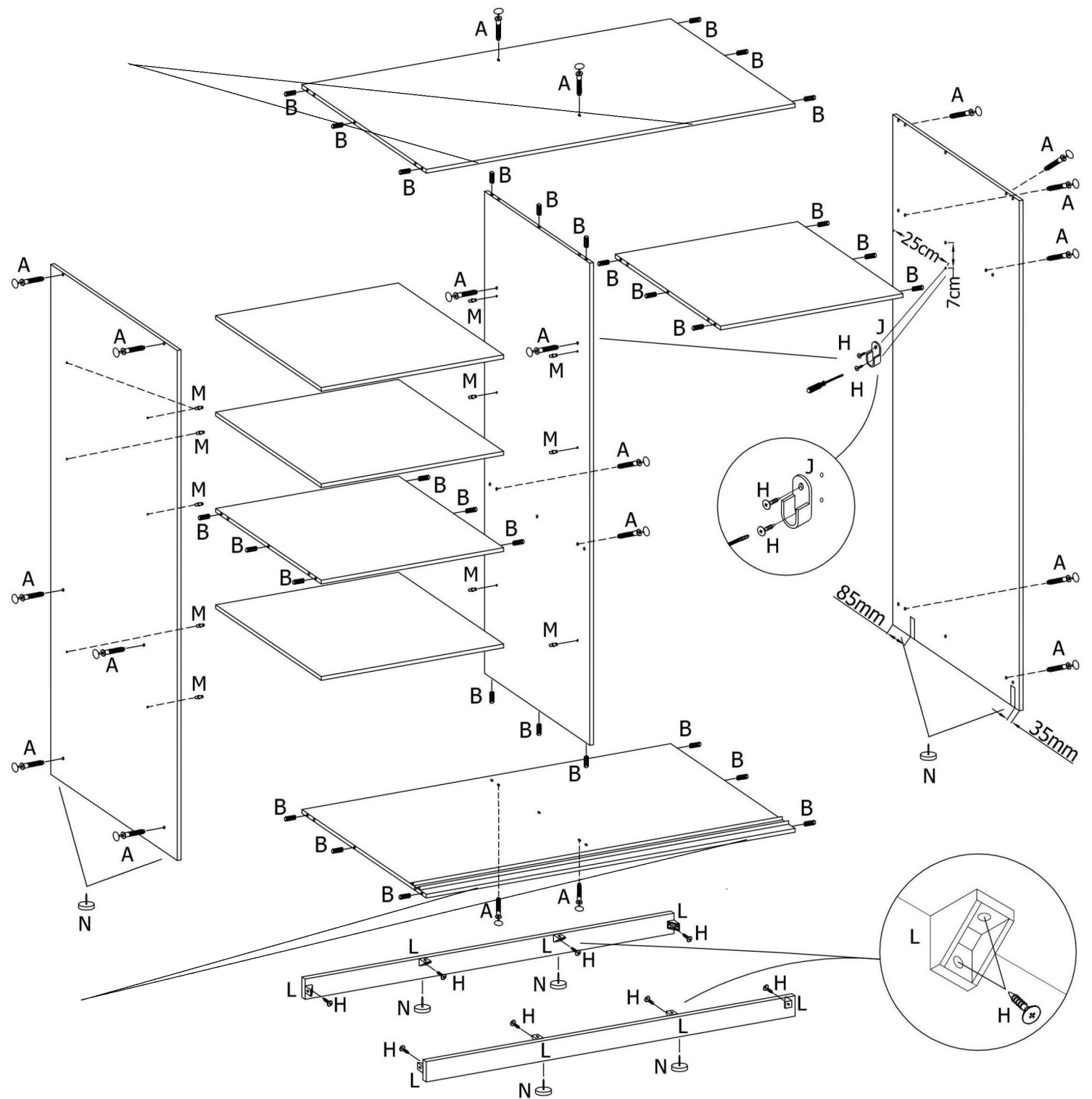


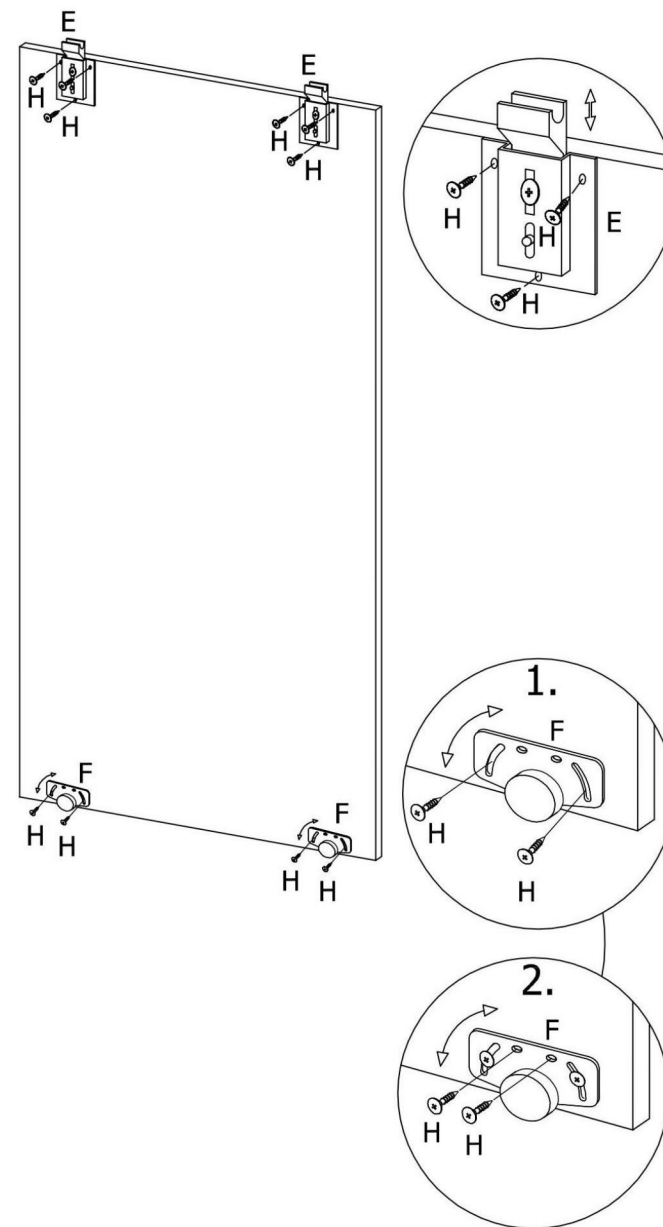
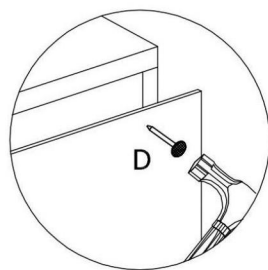
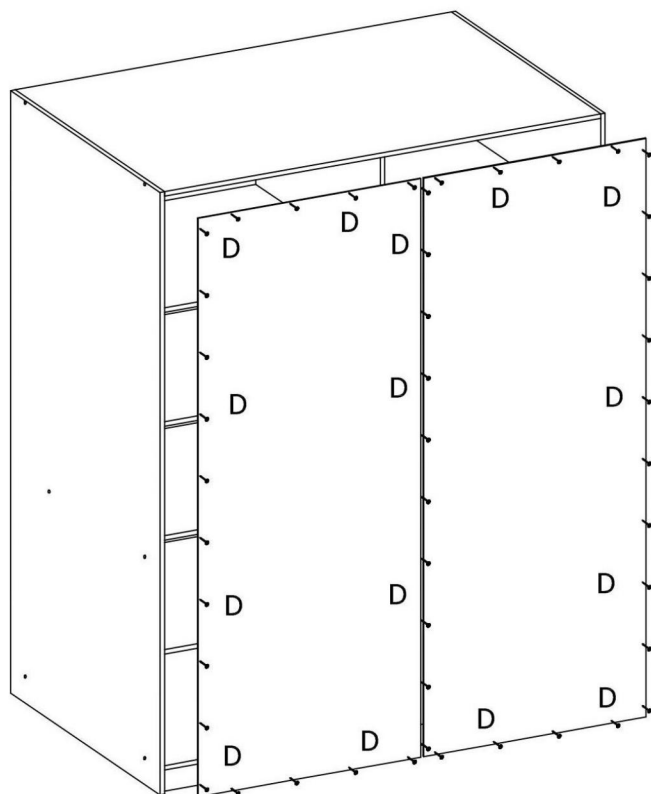
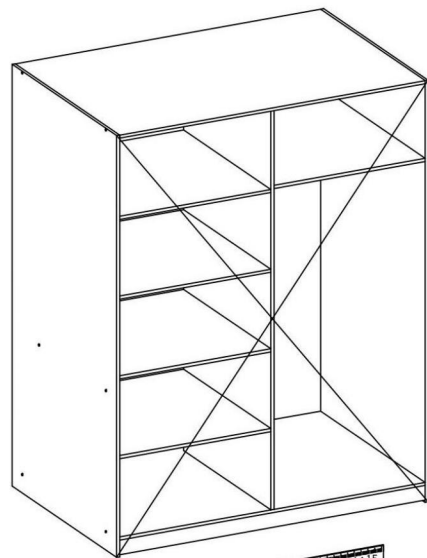
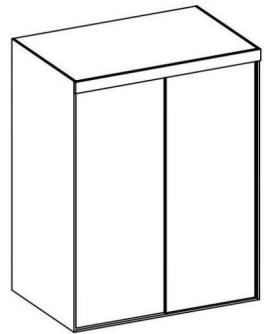
100, 150



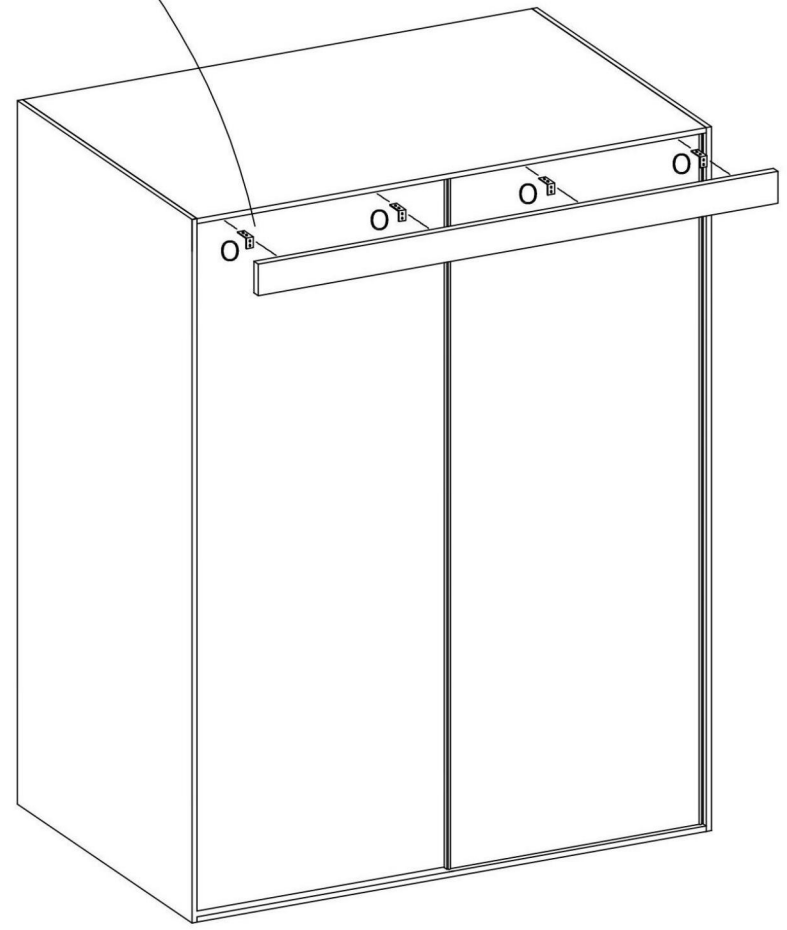
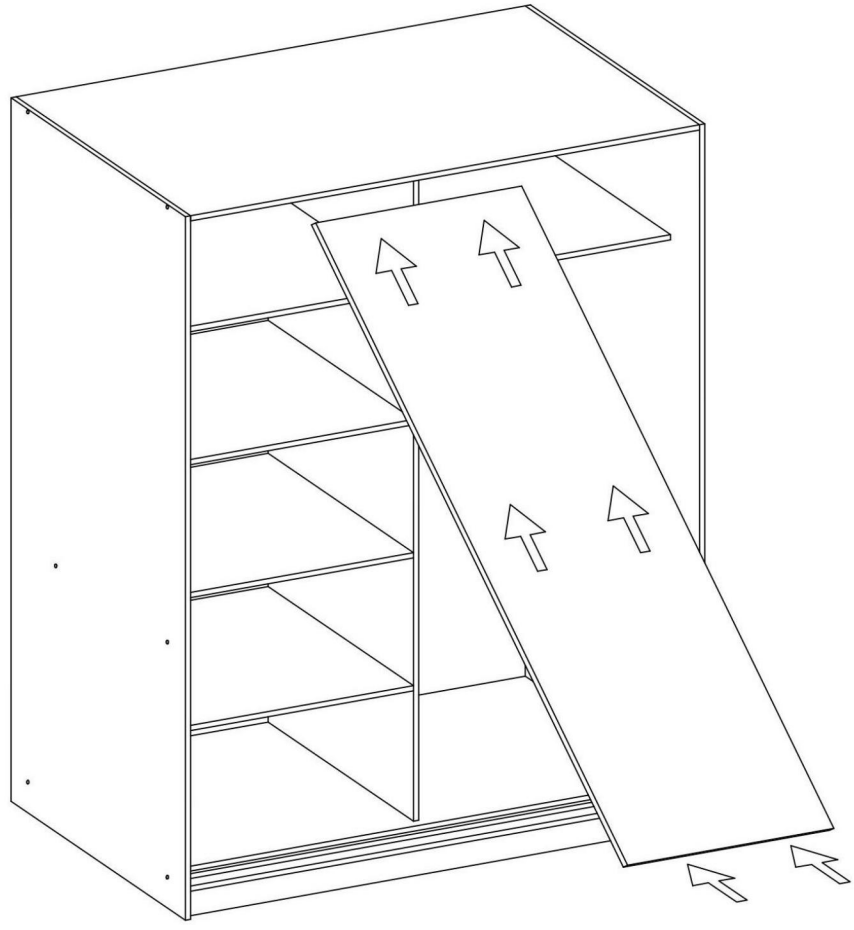
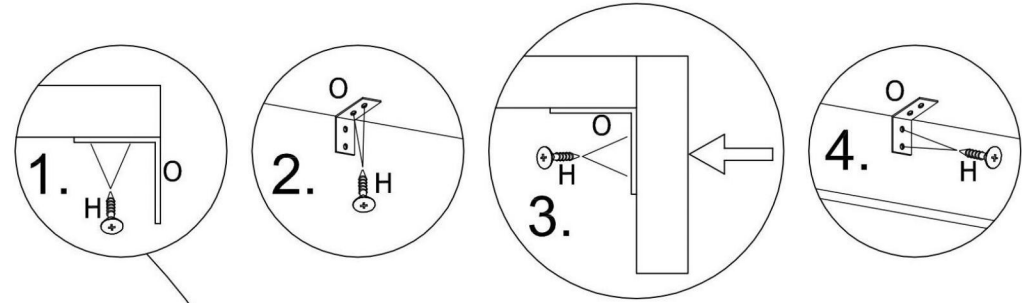
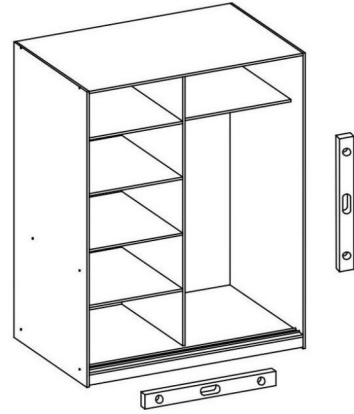
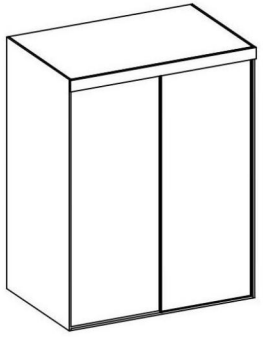
			
20	28	1	100-110
			
4	4	64	2
			
1	8	12	8
			
4			



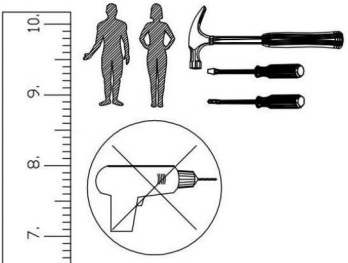
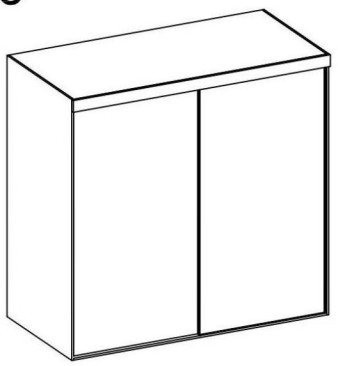
100, 150

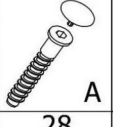
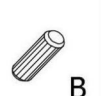


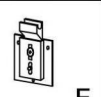

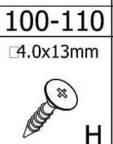
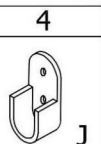
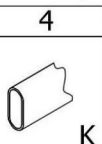
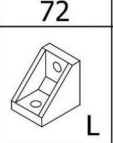
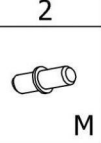
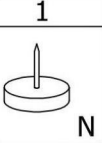
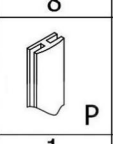
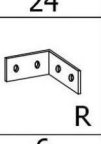


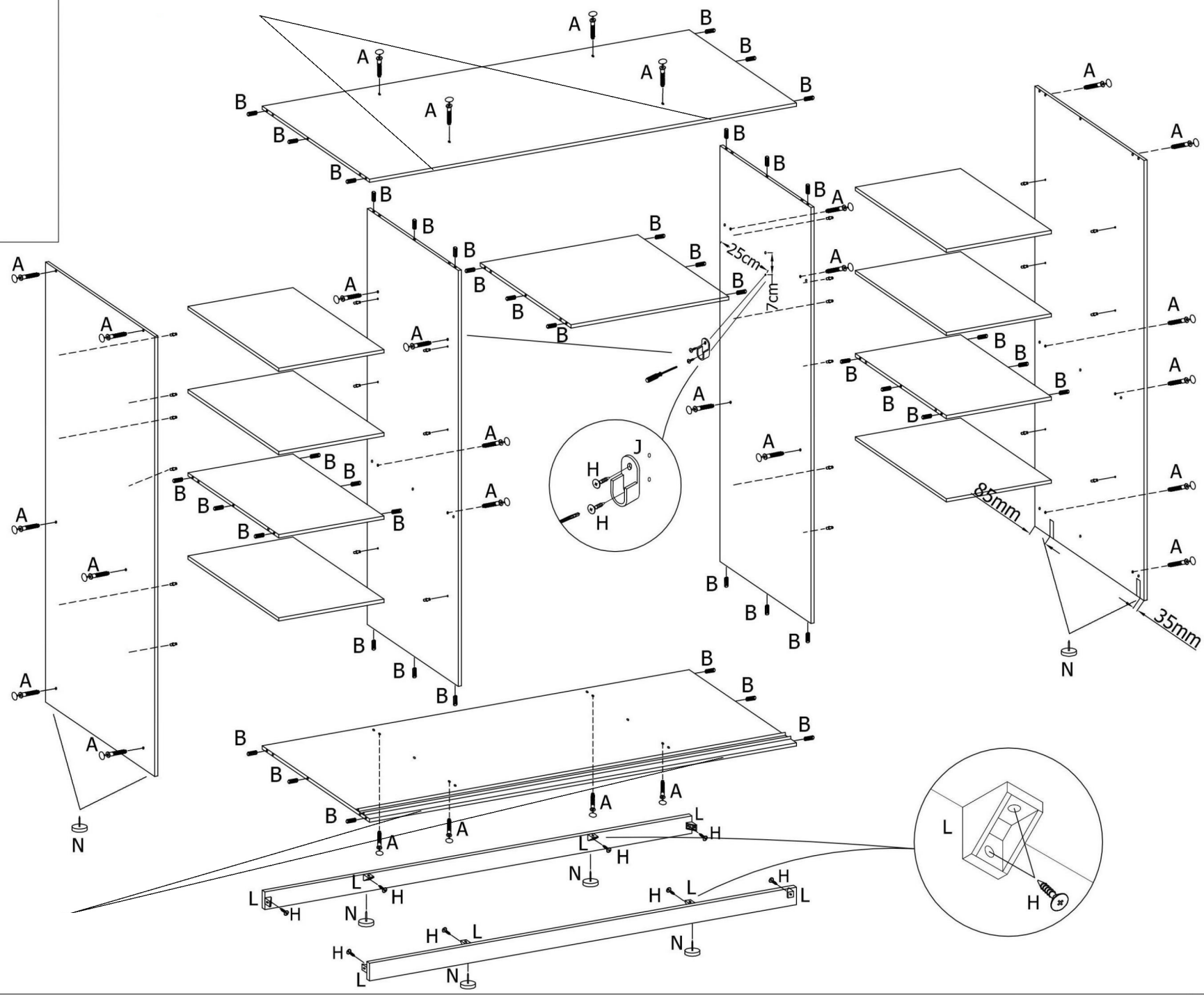
100, 150



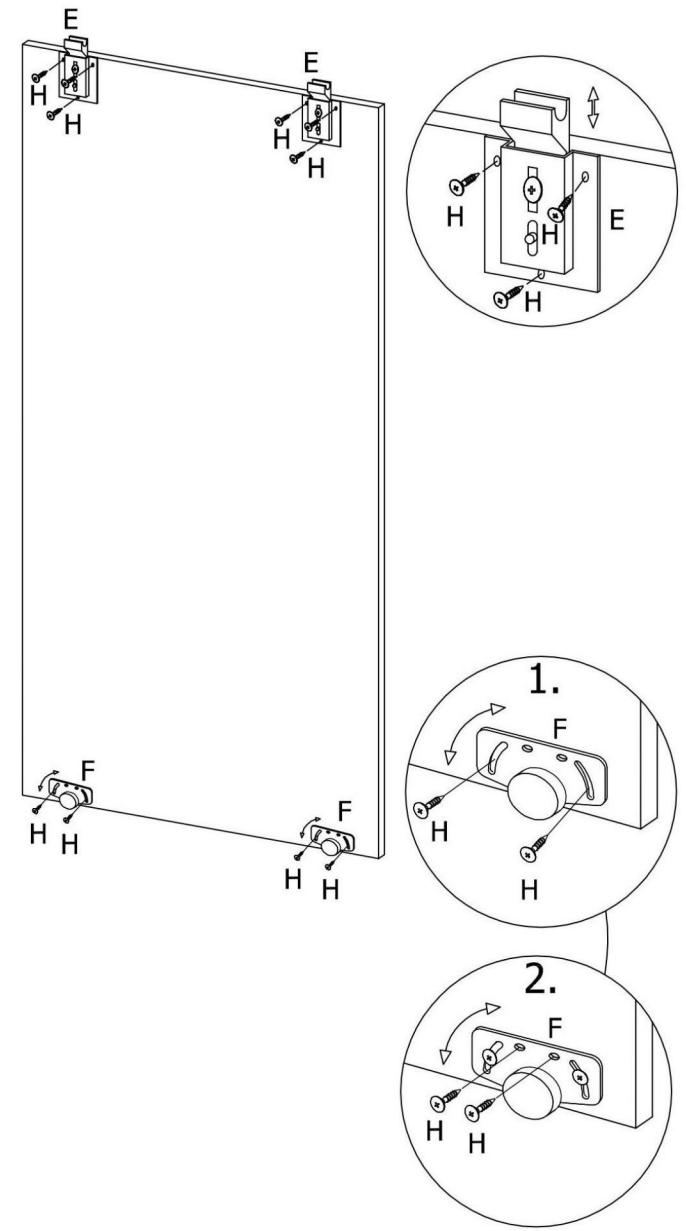
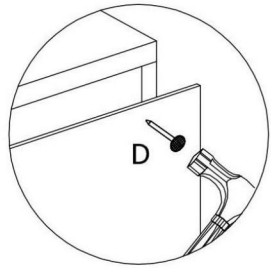
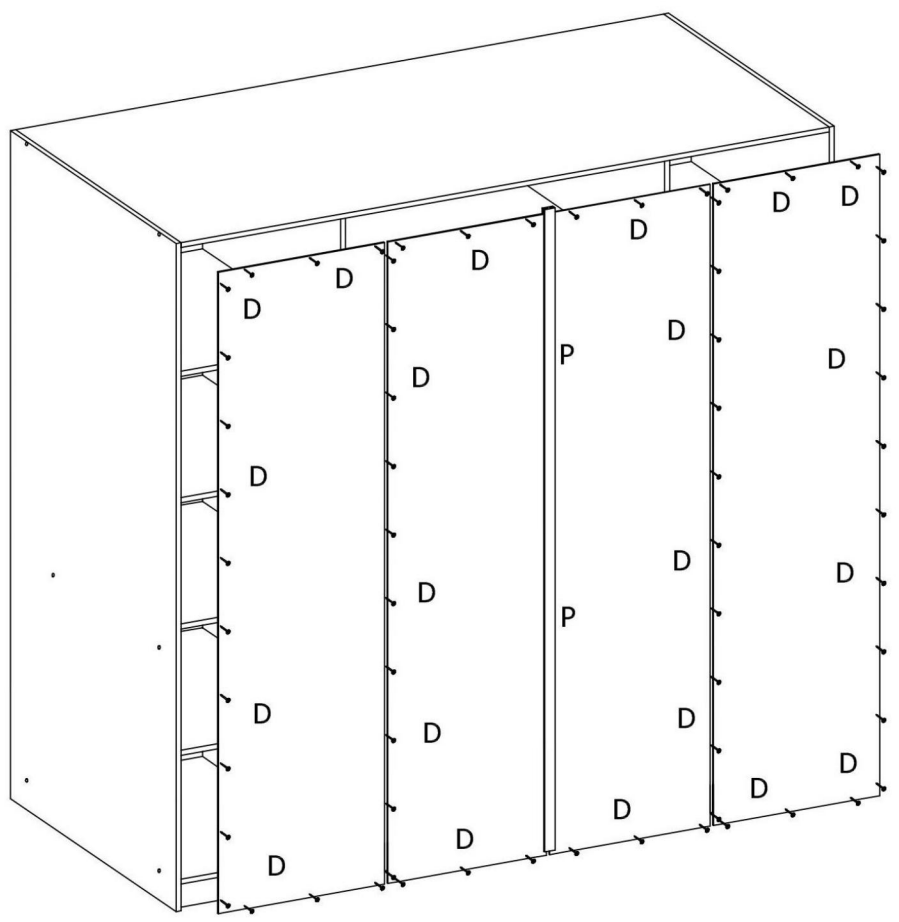
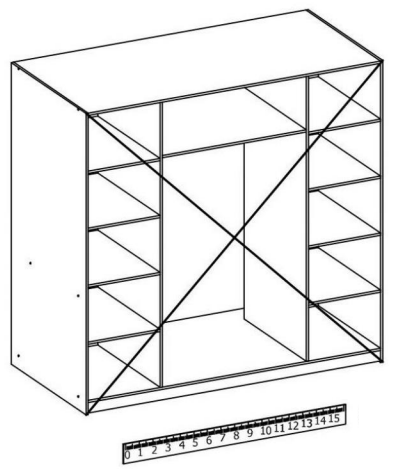
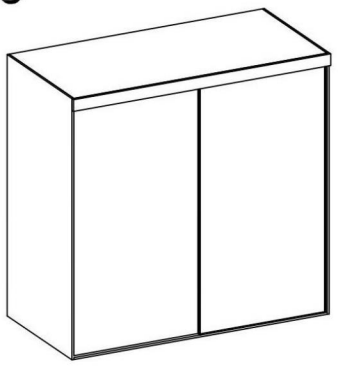
200



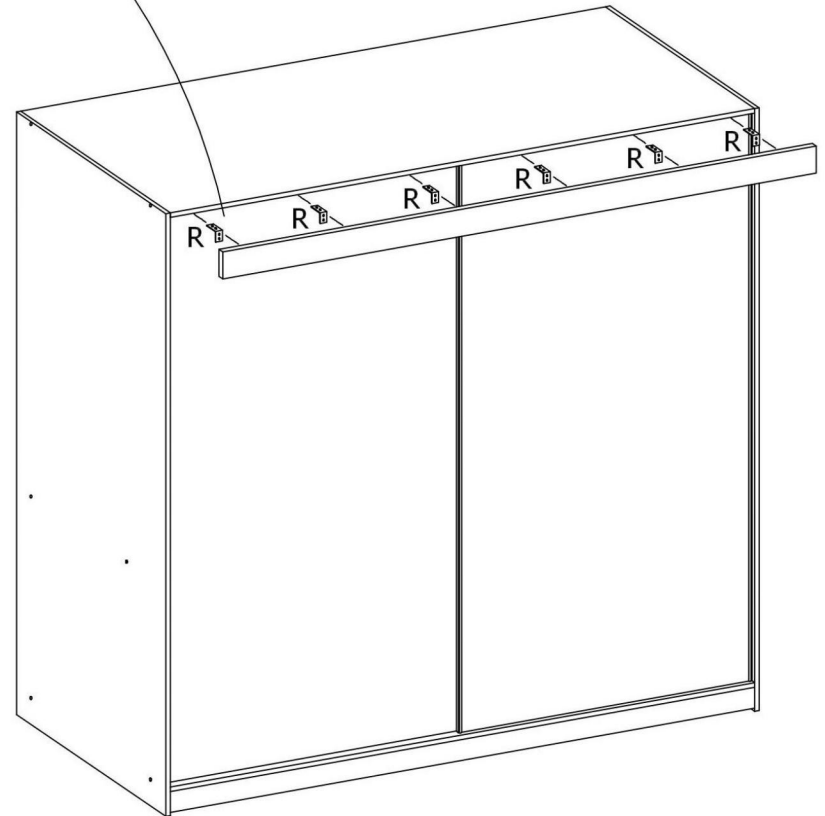
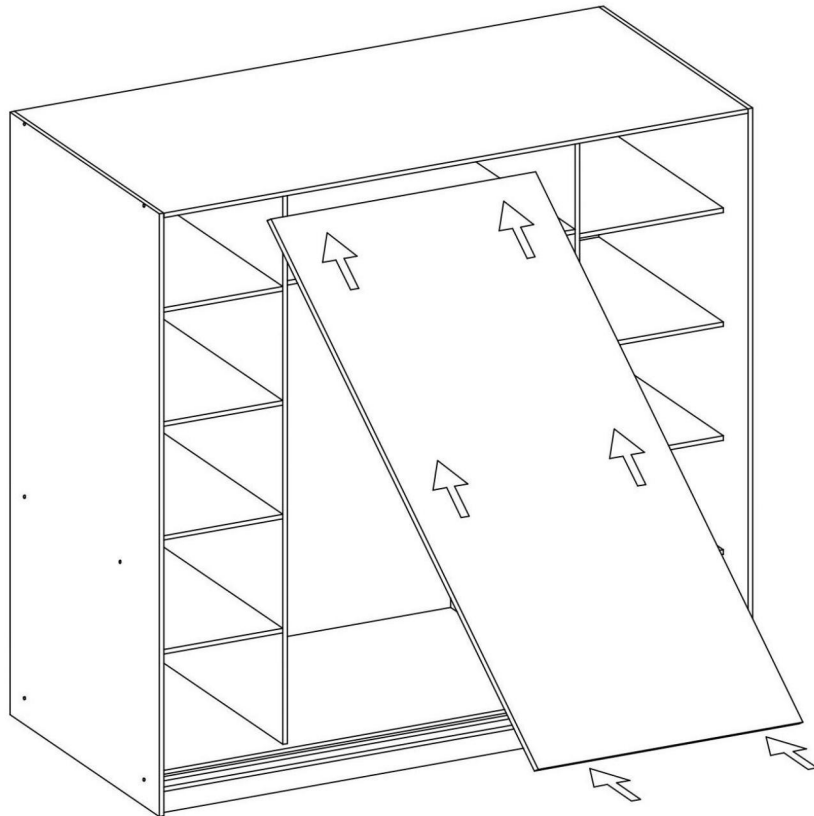
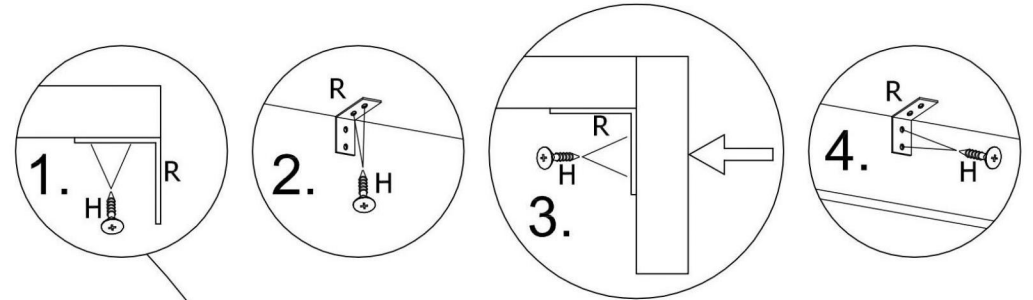
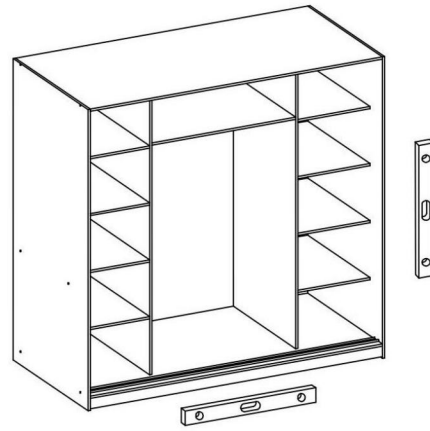
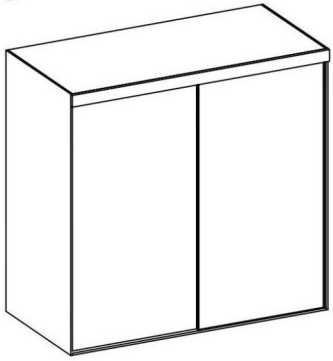
 A 28	 B 42	 C 1
 D 100-110 4.0x13mm	 E 4	 F 4
 H 72	 J 2	 K 1
 L 8	 M 24	 N 8
 P 1	 R 6	

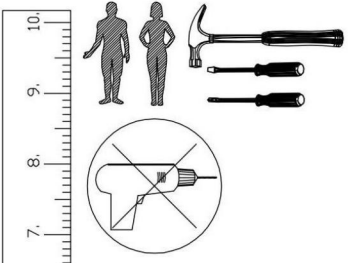
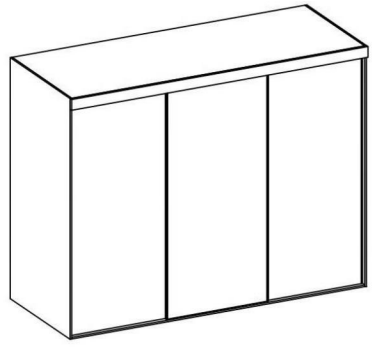


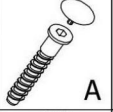
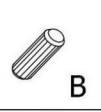
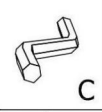

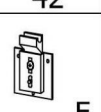
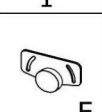
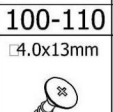
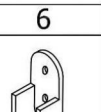
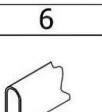
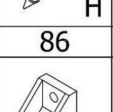
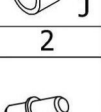
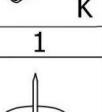
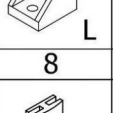
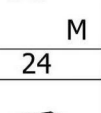
200

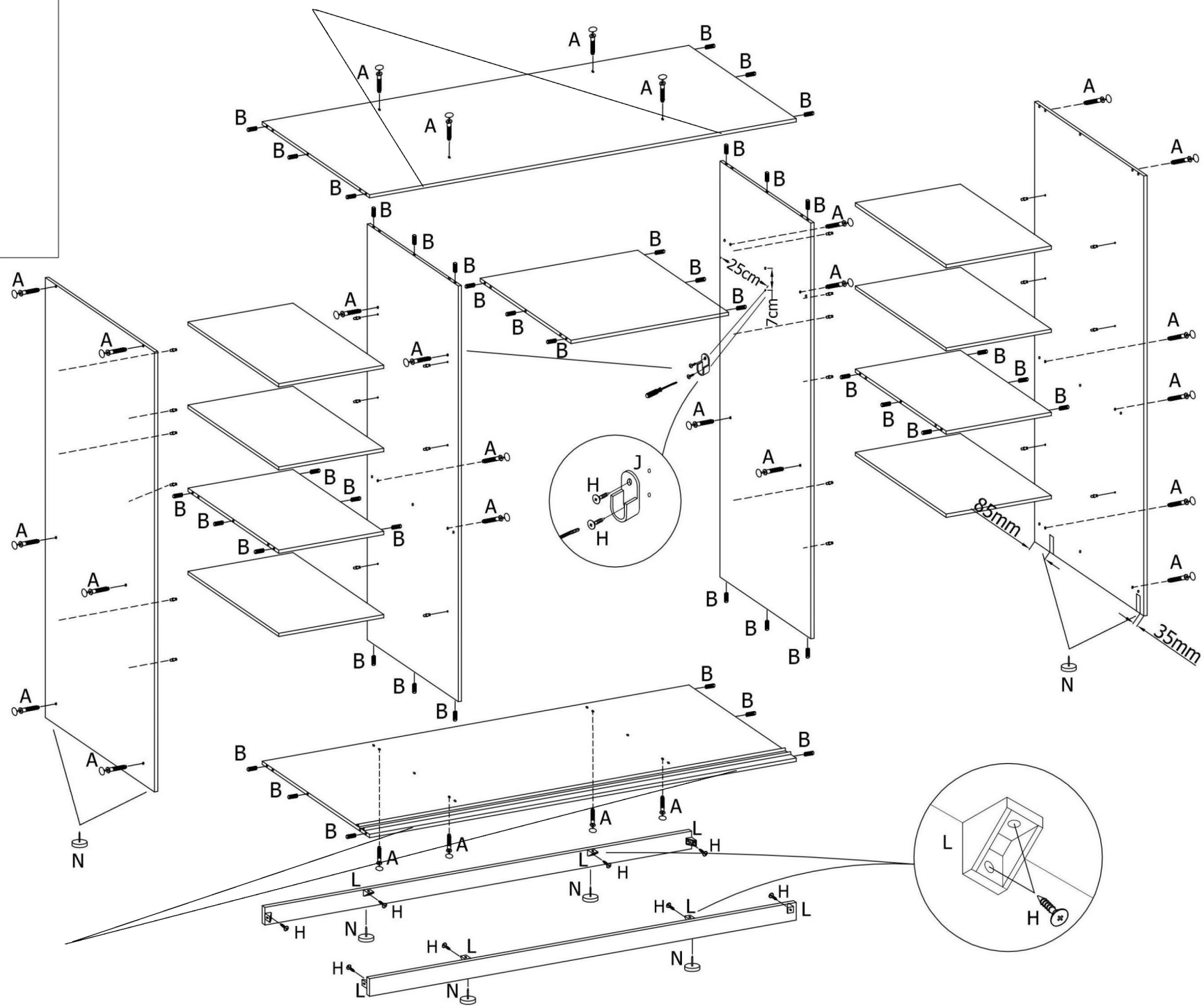


200

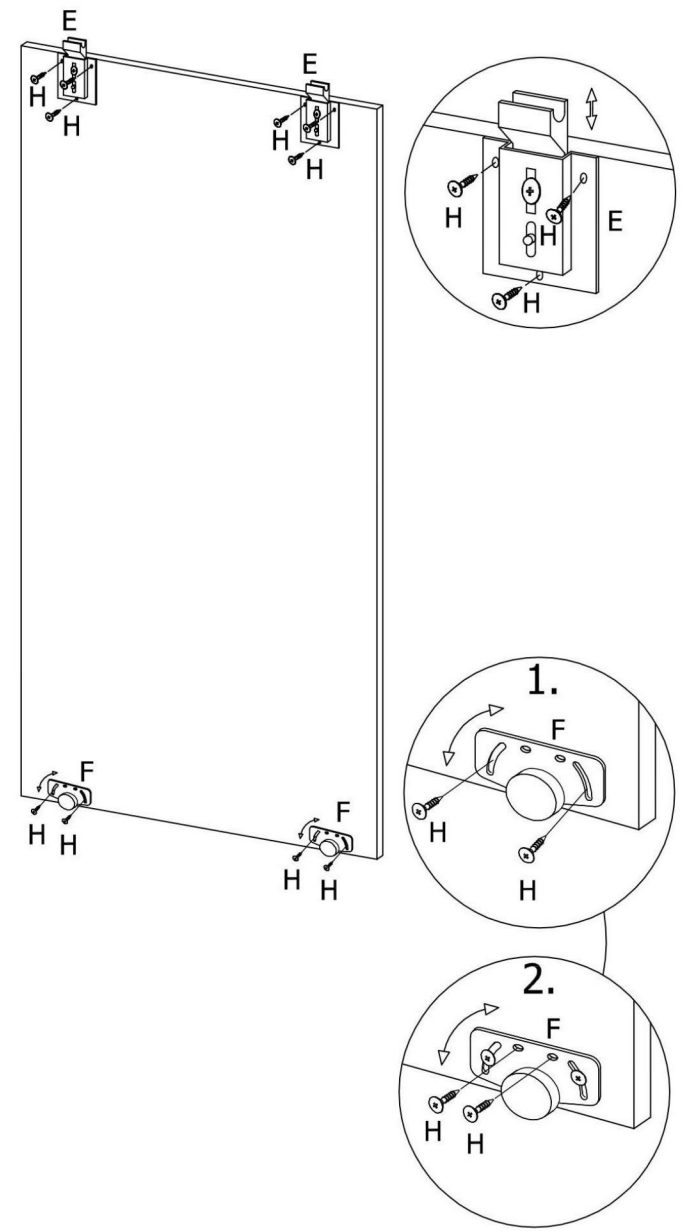
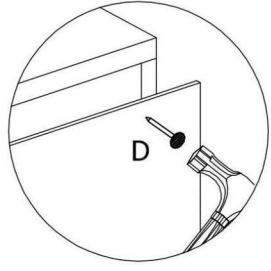
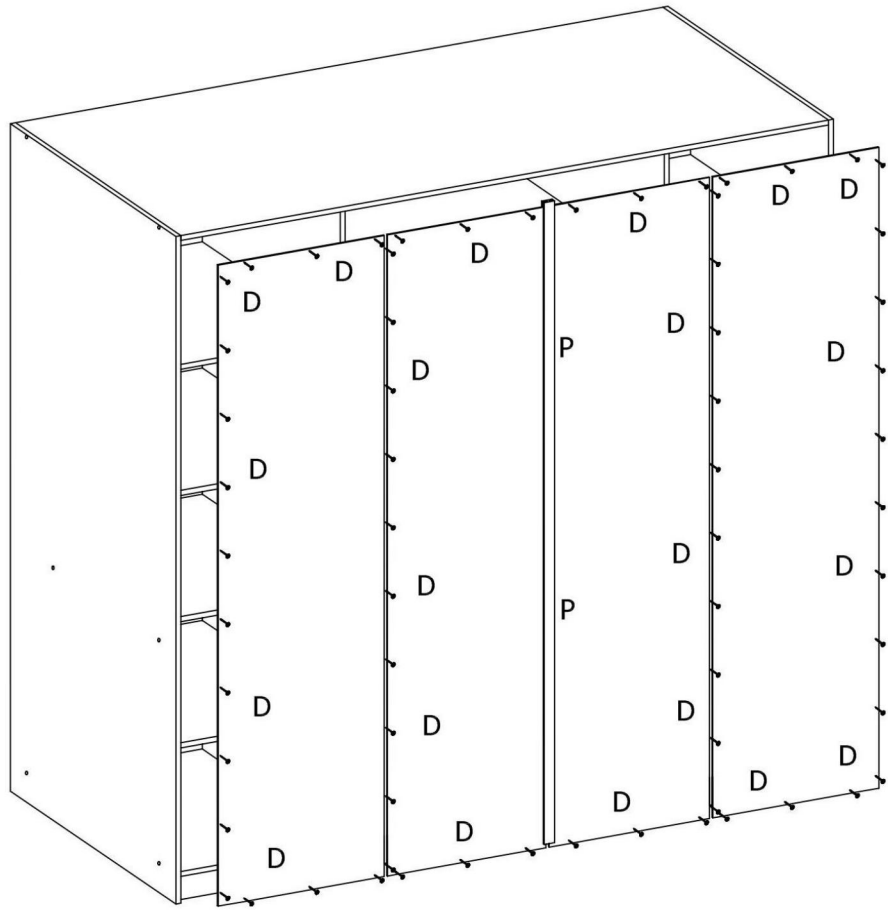
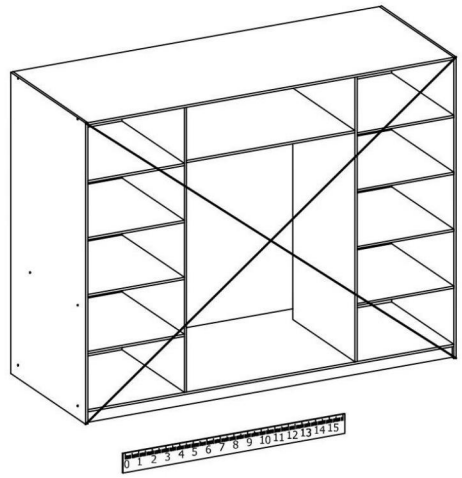
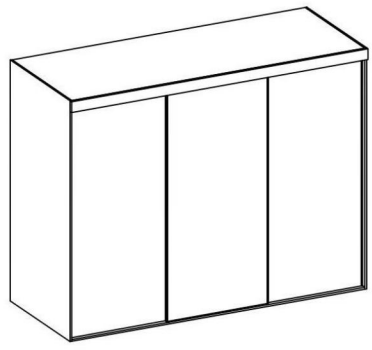




 A 28	 B 42	 C 1
 D 100-110 4.0x13mm	 E 6	 F 6
 H 86	 J 2	 K 1
 L 8	 M 24	 N 8
 P 1	 R 6	



250



250

