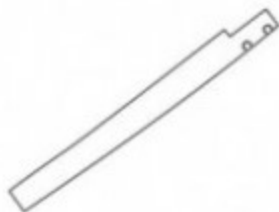


1

2

3



1	1x
2	1x
3	1x

A



B



C



M8x70mm

D



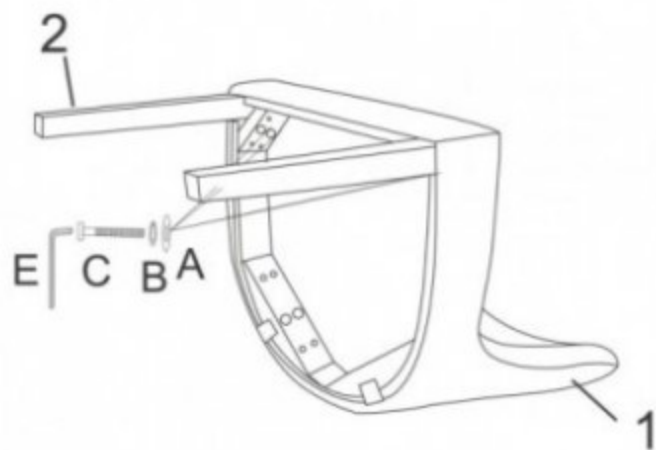
M8x50mm

E

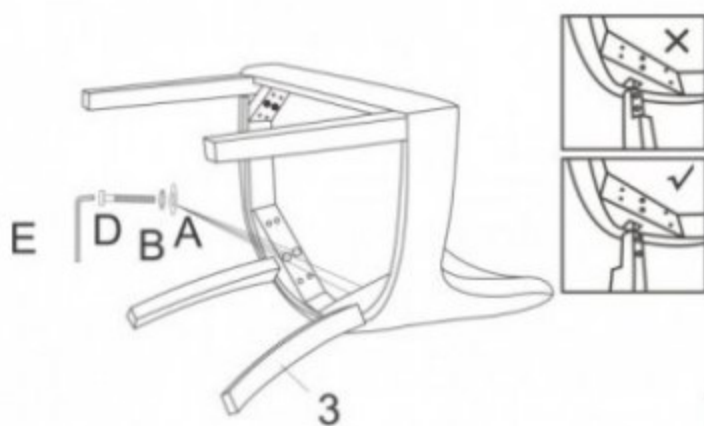


M8

①



②



③

