
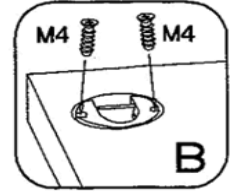
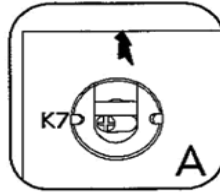
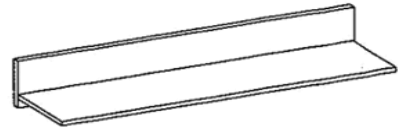
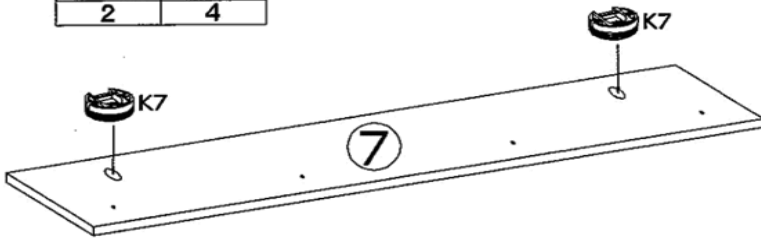


3B										
	K7	M4	O	B	O3	O7	C	A	D2	P14
	2	4	1	4	2	2	16	16	16	6


F10						
	P5	K13	L	E	P11	J5
	6	2	4	16	10	4

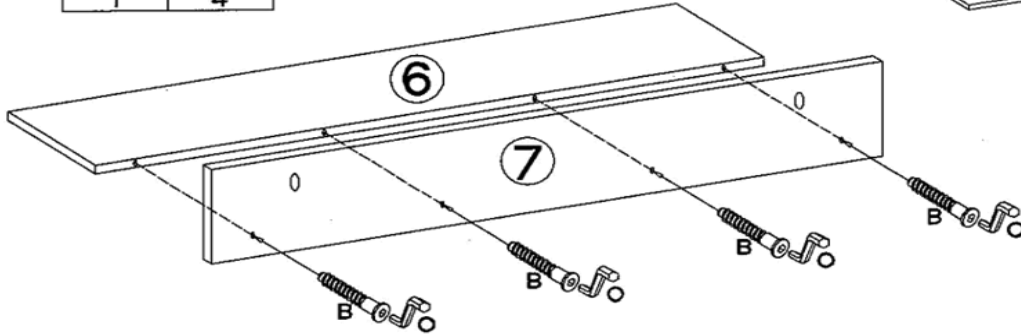
1

	16,3x9mm
K7	M4
2	4

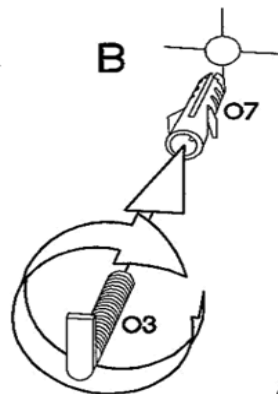
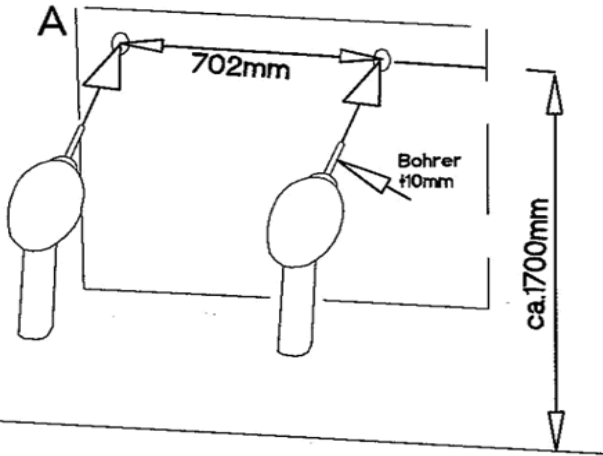




2

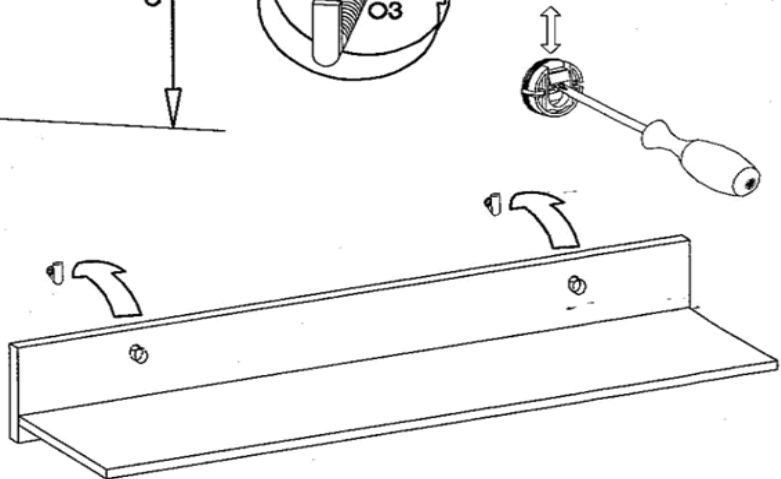
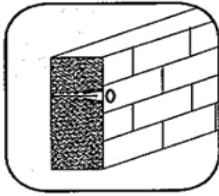
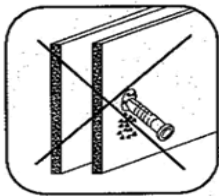
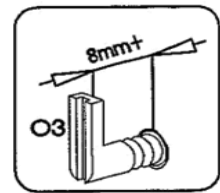
	6,4 x 50mm
1	B
1	4






3





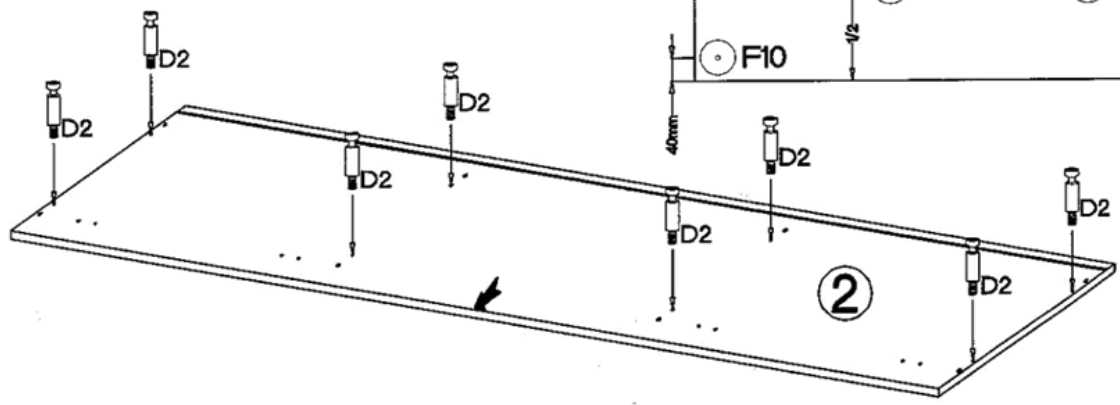
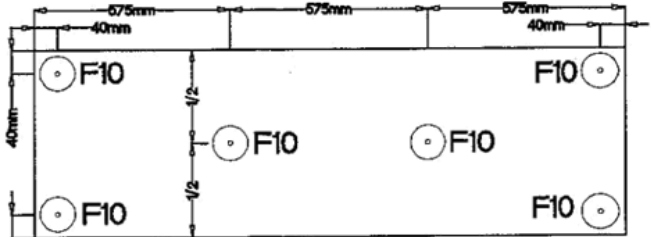
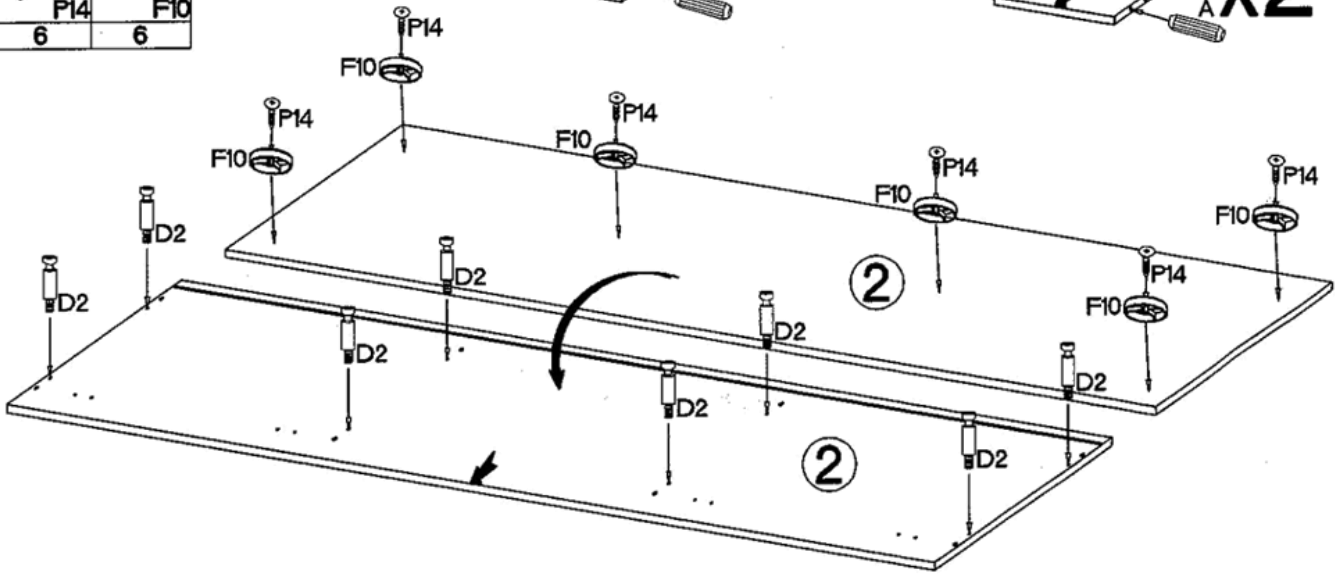
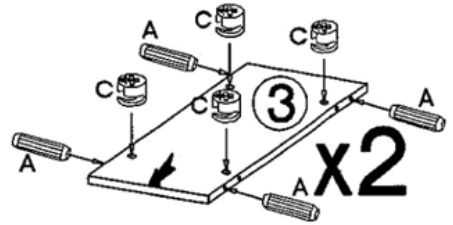
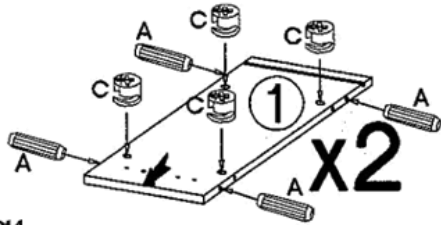
	5/45mm		10x50mm
O3	2	O7	2



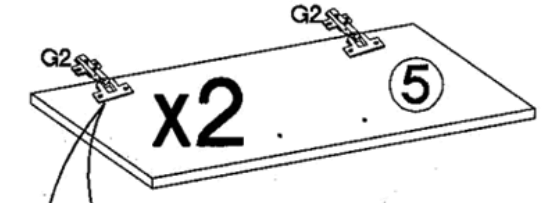
4





		
C	A	D2
16	16	16

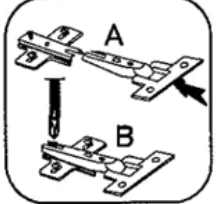
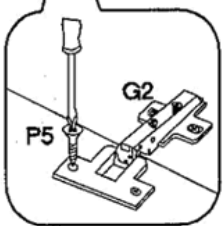
	
P14	F10
6	6

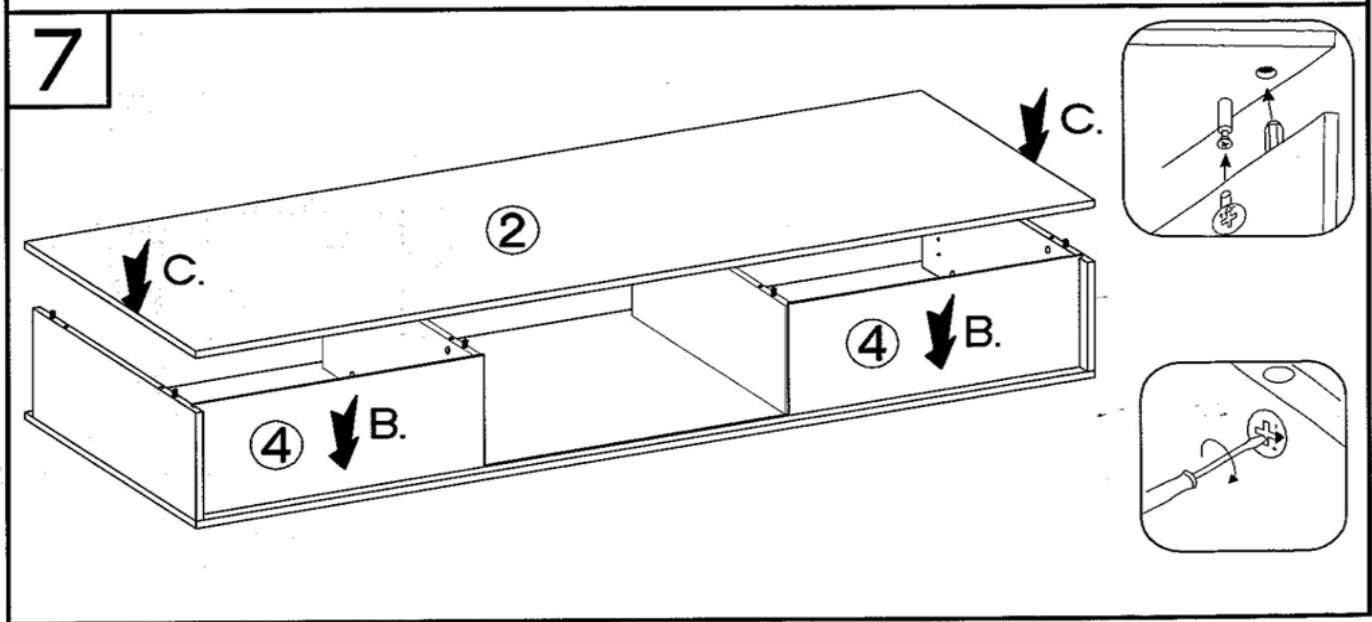
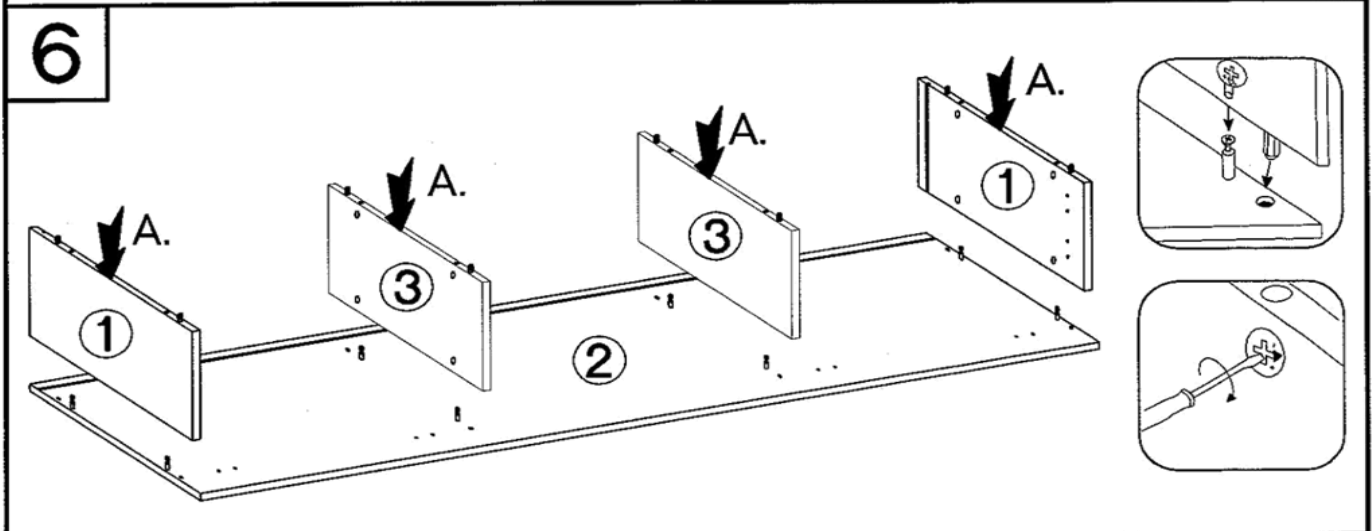
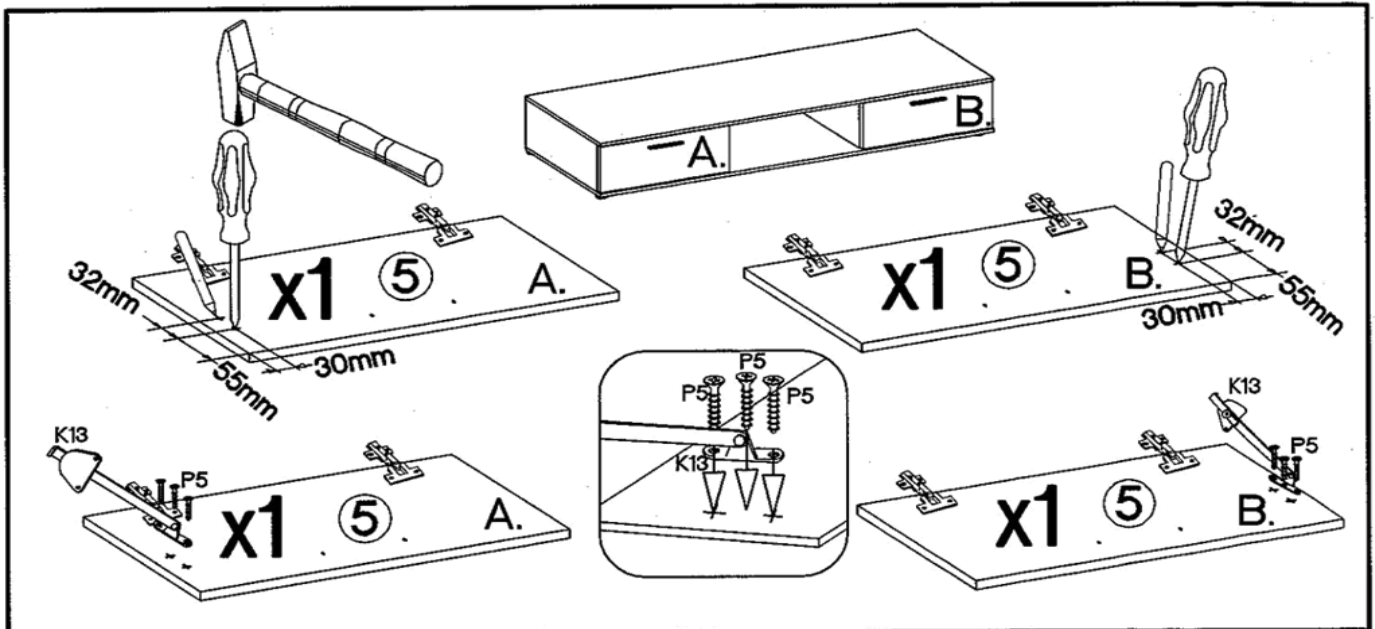


5





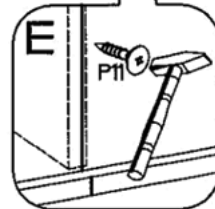
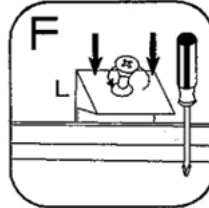
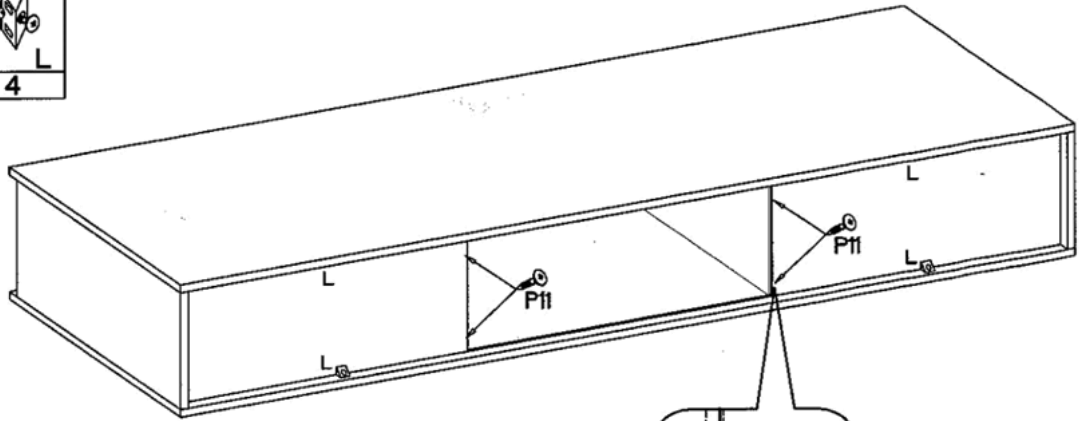
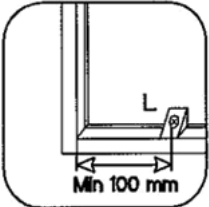
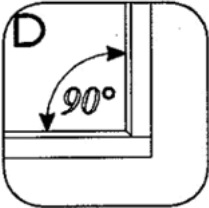
			
H	G2	P5	K13
4	4	14	2










8

 #3.0x16mm P11 4	 L 4
---	--



9

 E 16	 #3.0x16mm P11 6	 #4.0x30mm R2 4	 L=128mm S11 2	 J5 4
---	---	--	---	---

