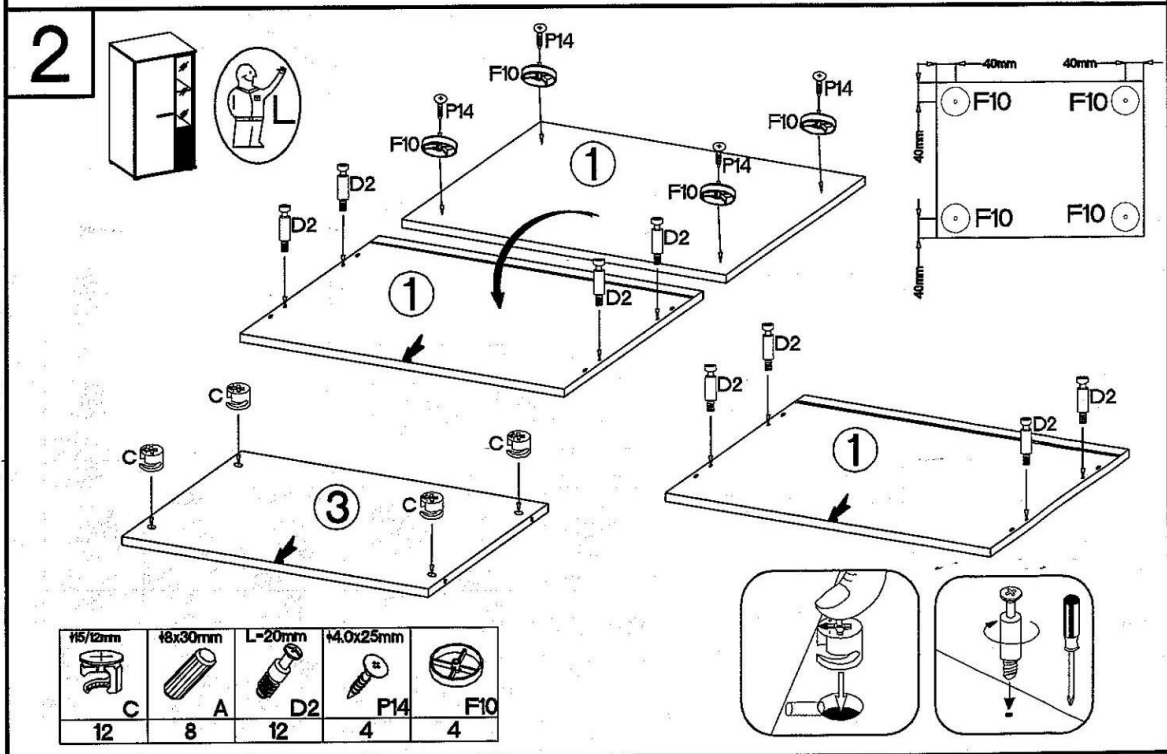
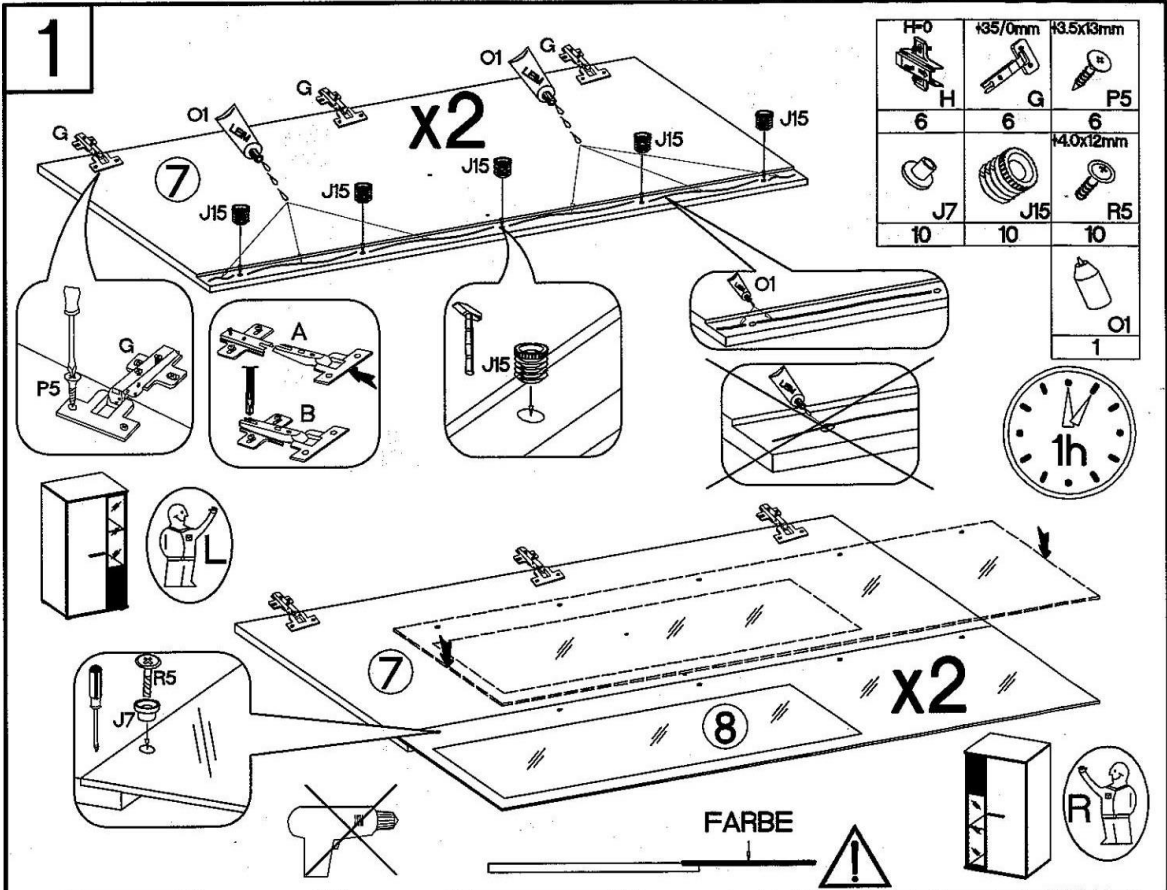
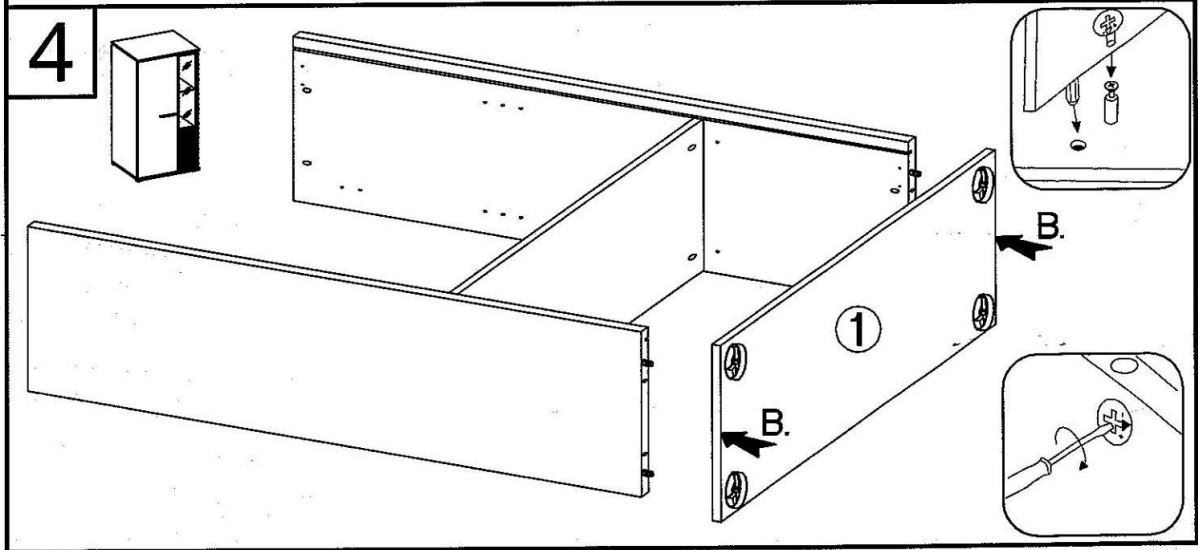
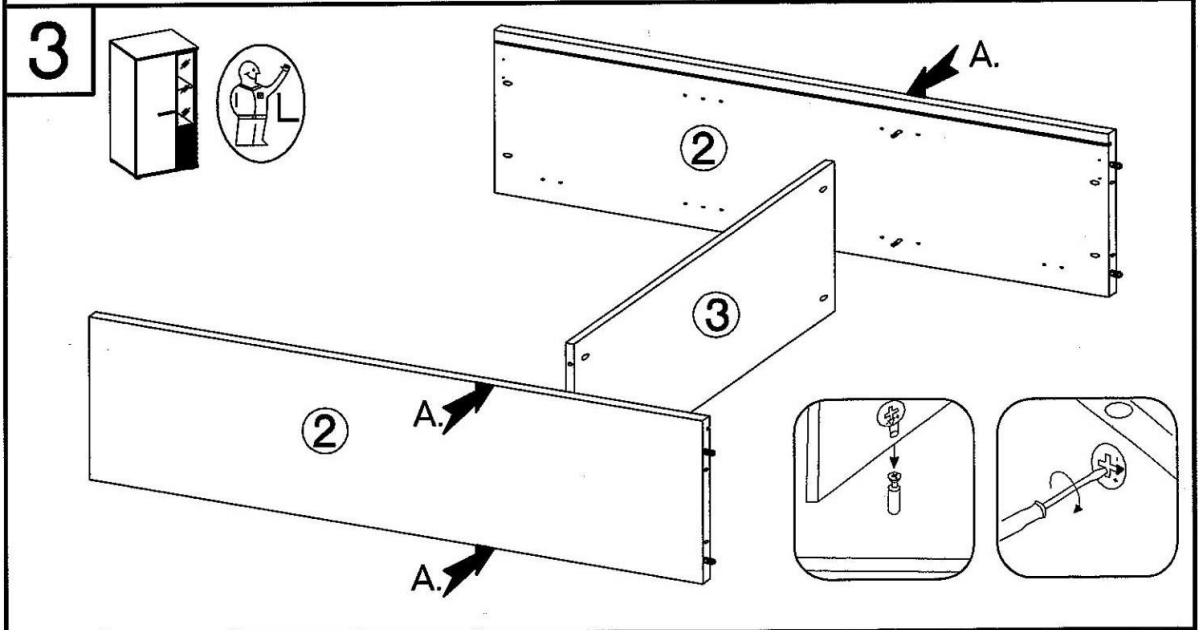
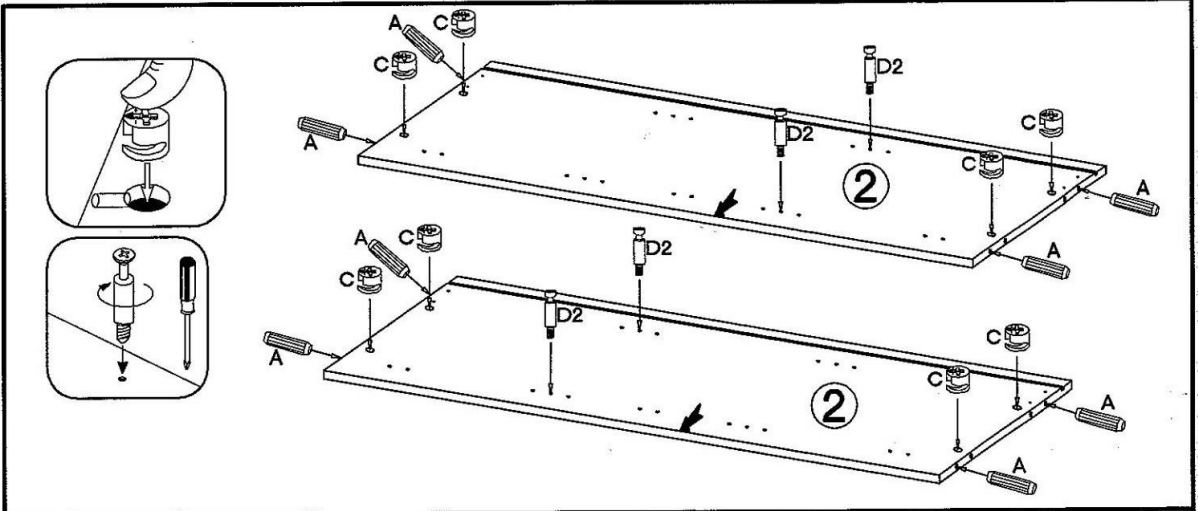
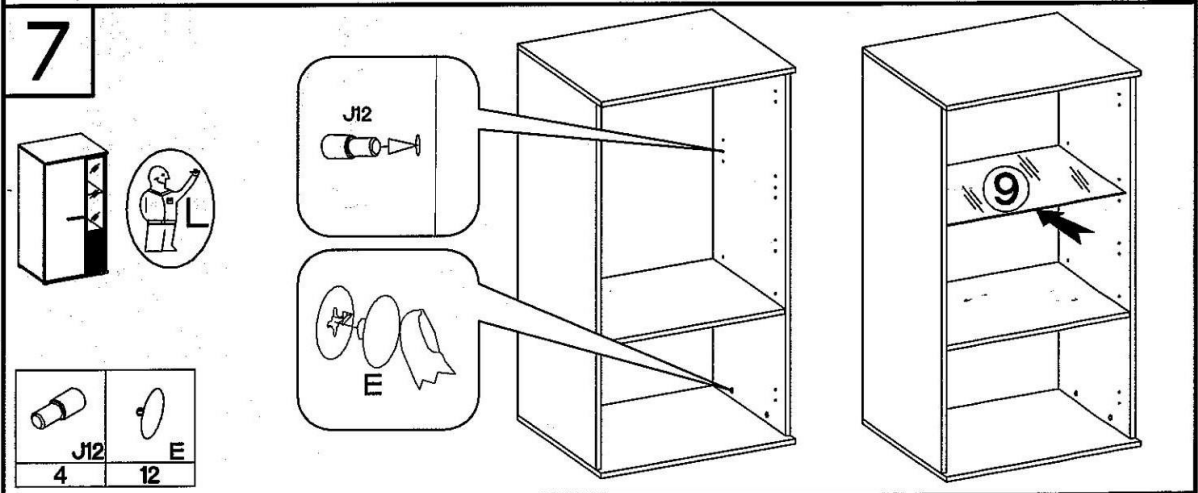
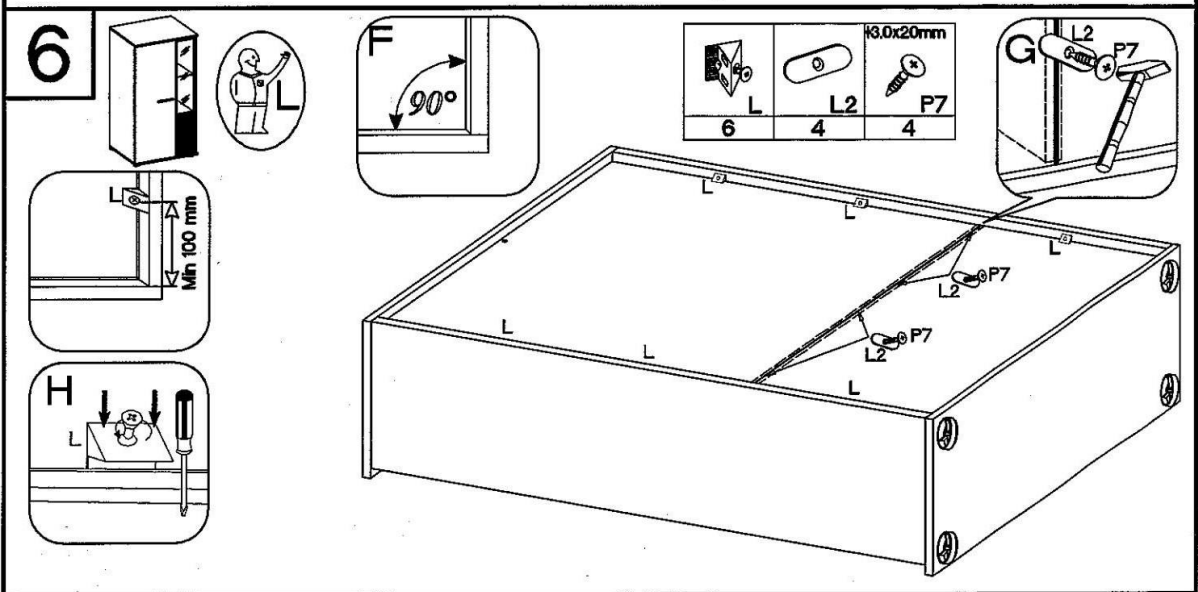
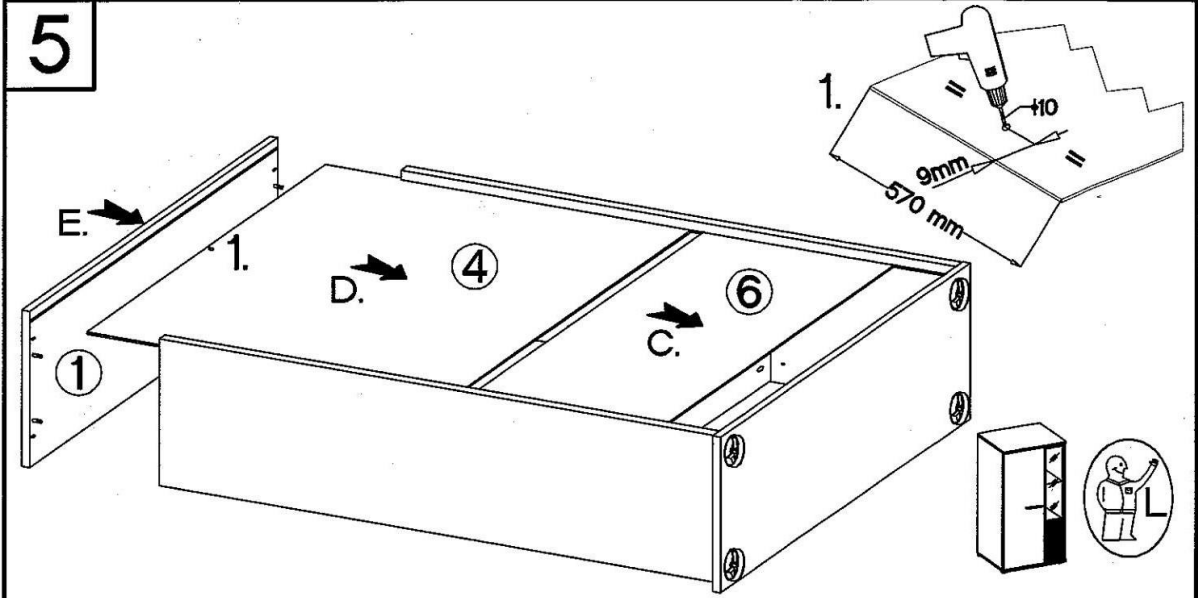
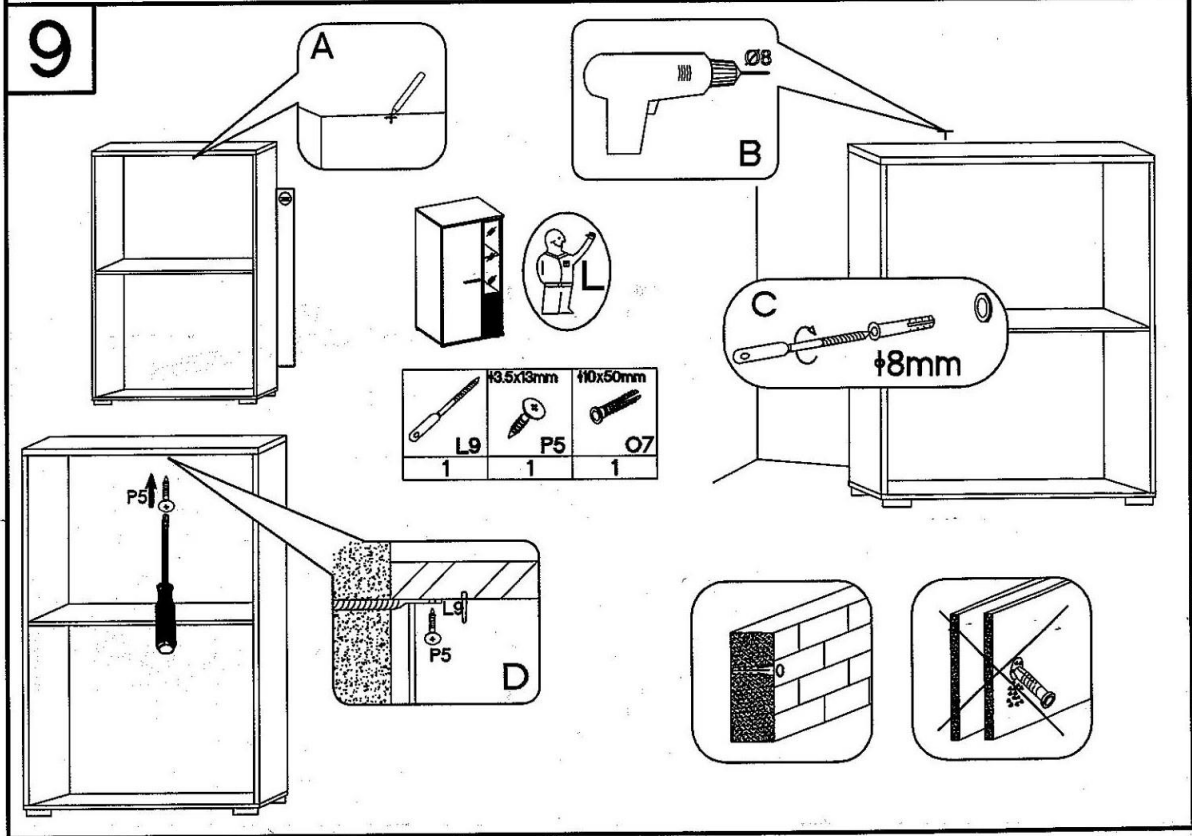
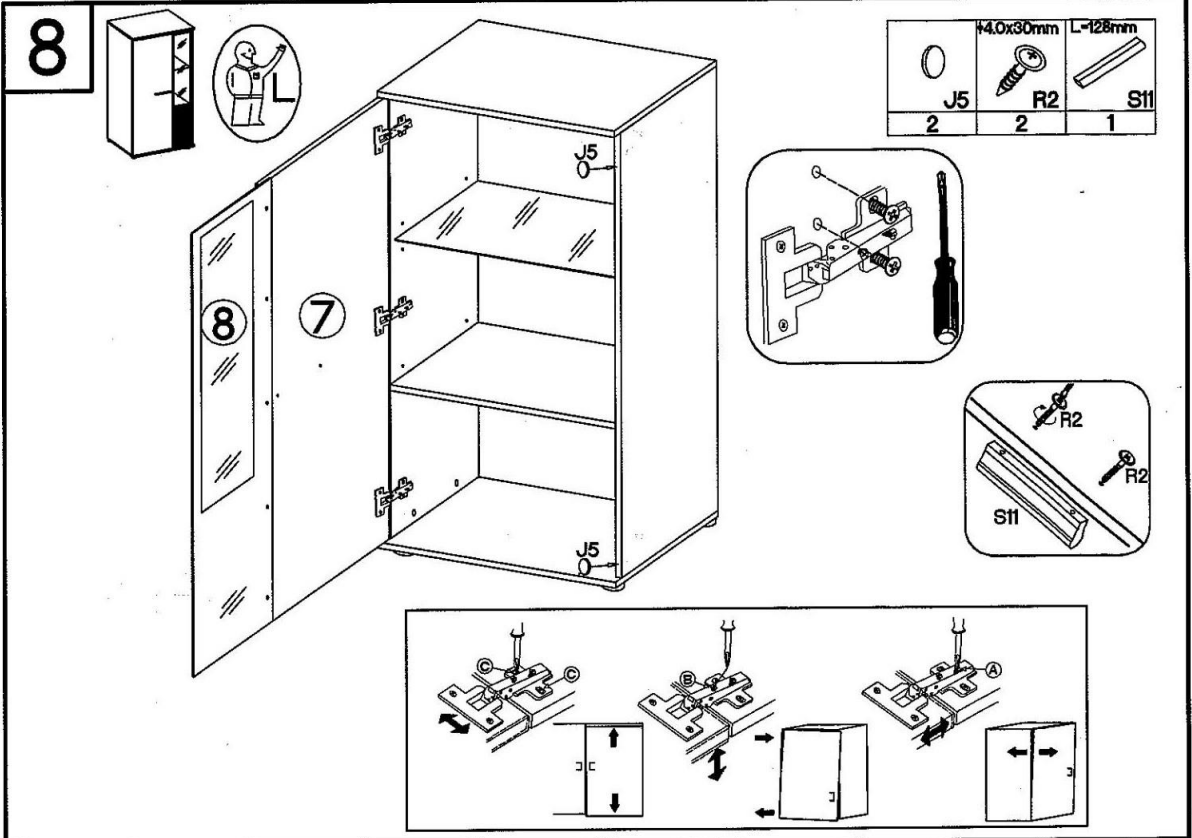


1B L=128mm 4.0x30mm S11 R2 2 4	2B H=0 35/0mm 3.5x13mm H G P5 6 6 12	J5 4
3.0x20mm L2 E 15/16mm J12 K P7 L2 E J12 K 8 8 24 8 2	4.0x30mm 3.5x13mm P8 P5 4 1	10x50mm 5.0x60mm L9 O7 P12 K16 1 5 4 2

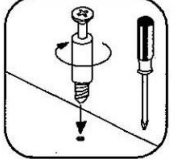
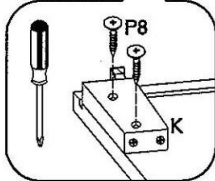
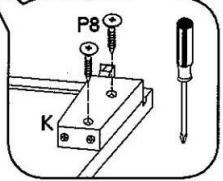
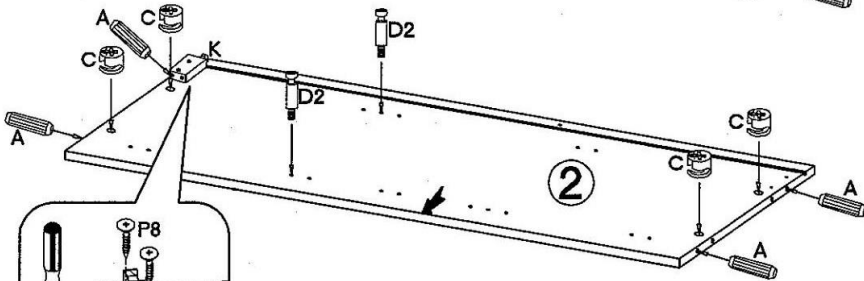
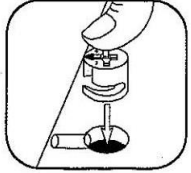
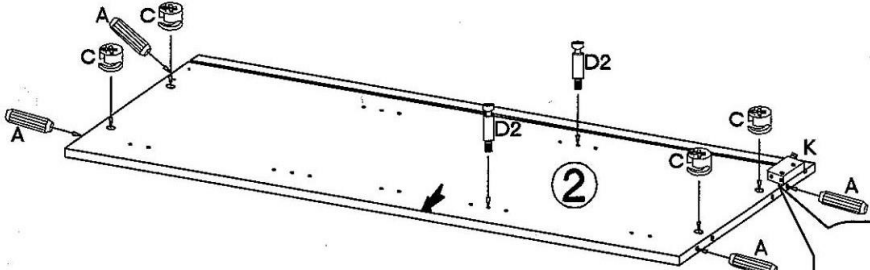
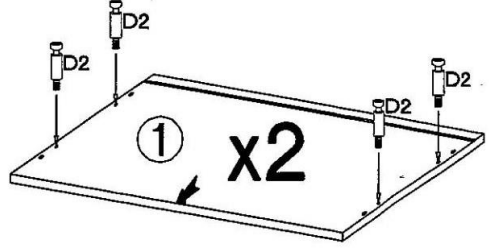
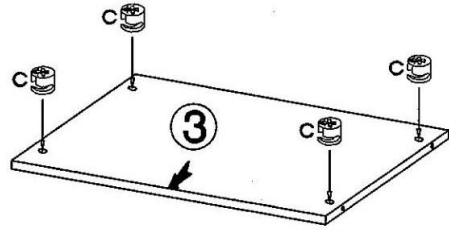
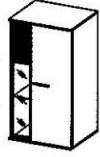






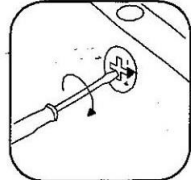
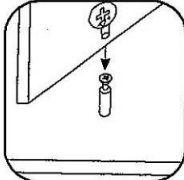
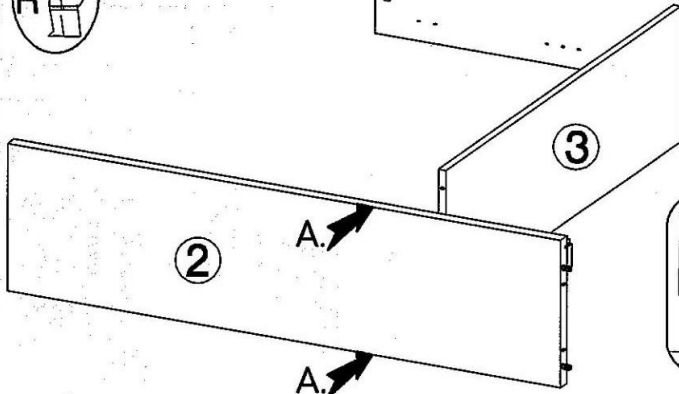
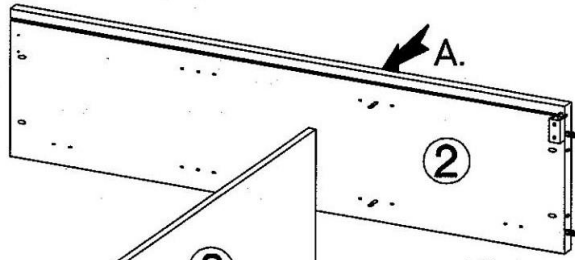
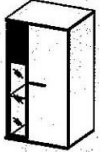


10

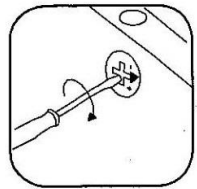
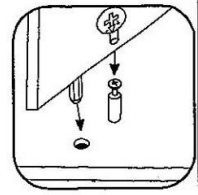
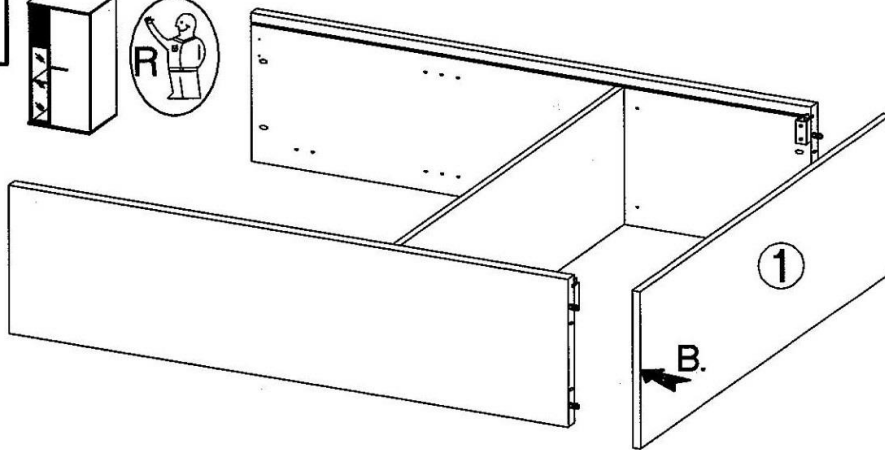
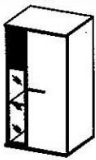


15/12mm	18x30mm	L-20mm		4.0x30mm
12	8	12	2	4

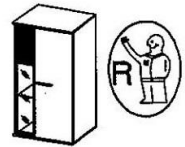
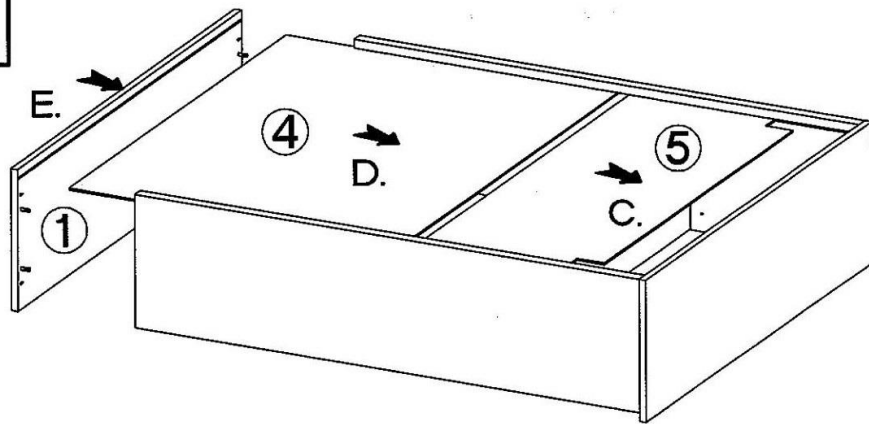
11



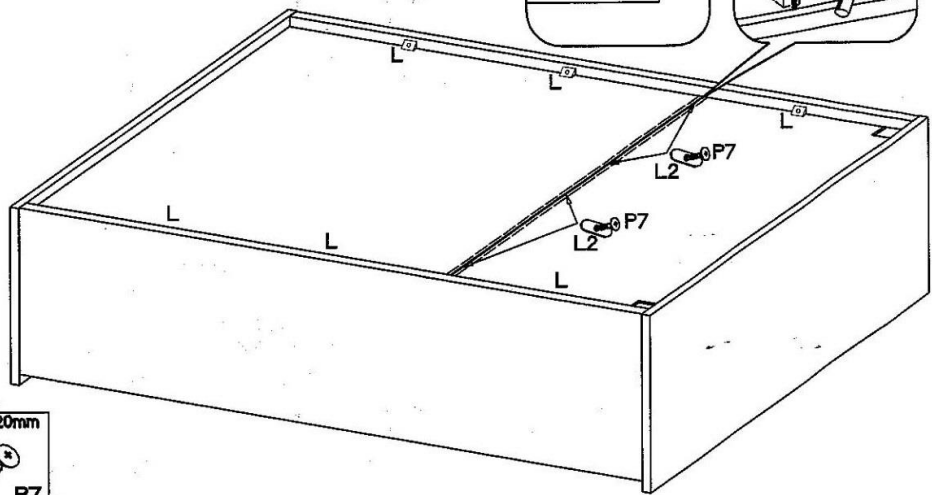
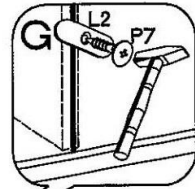
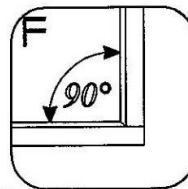
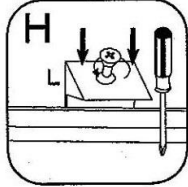
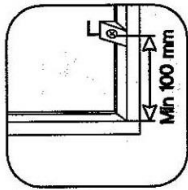
12



13



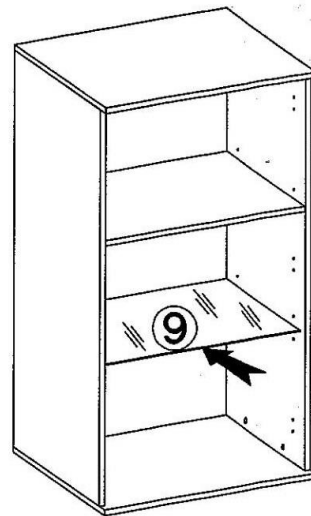
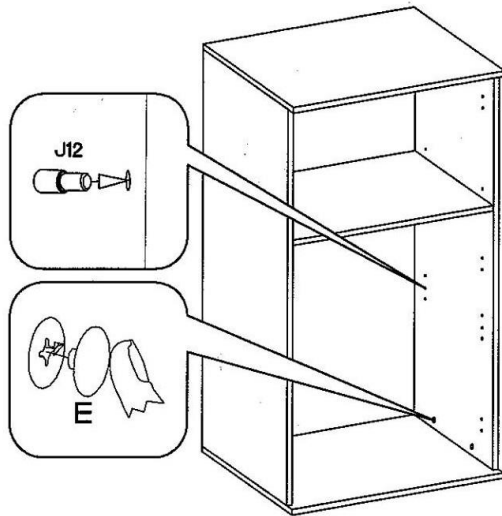
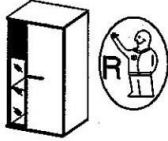
14



6	4	4

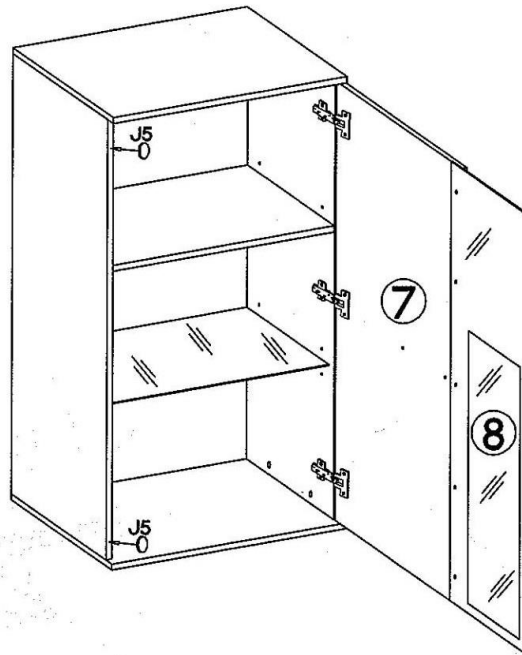
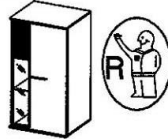
3.0x20mm

15

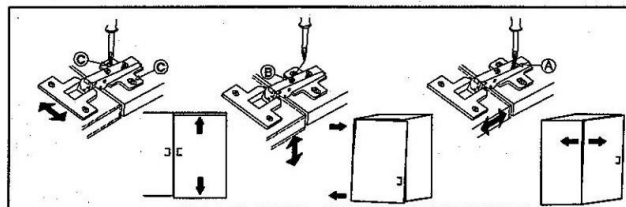
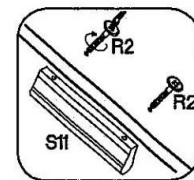
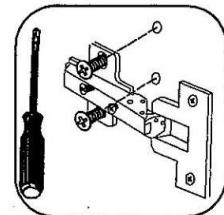


J12	E
4	12

16



J5	R2	S11
2	2	1



P12	O7	K16
4	4	2

