
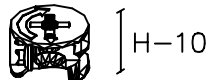




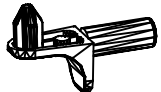

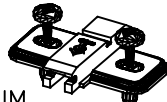

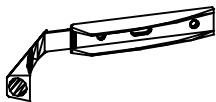

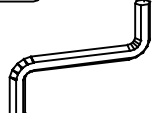

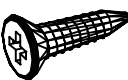

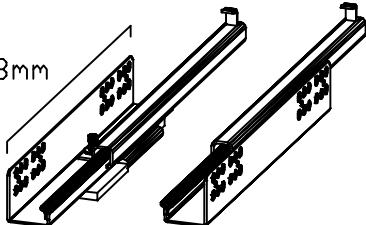
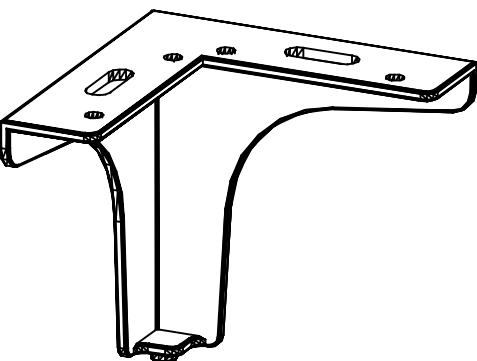
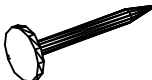
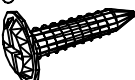
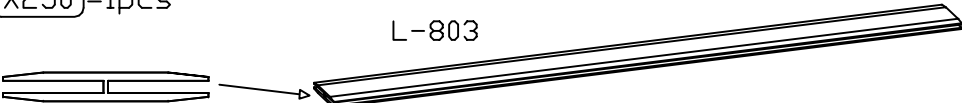


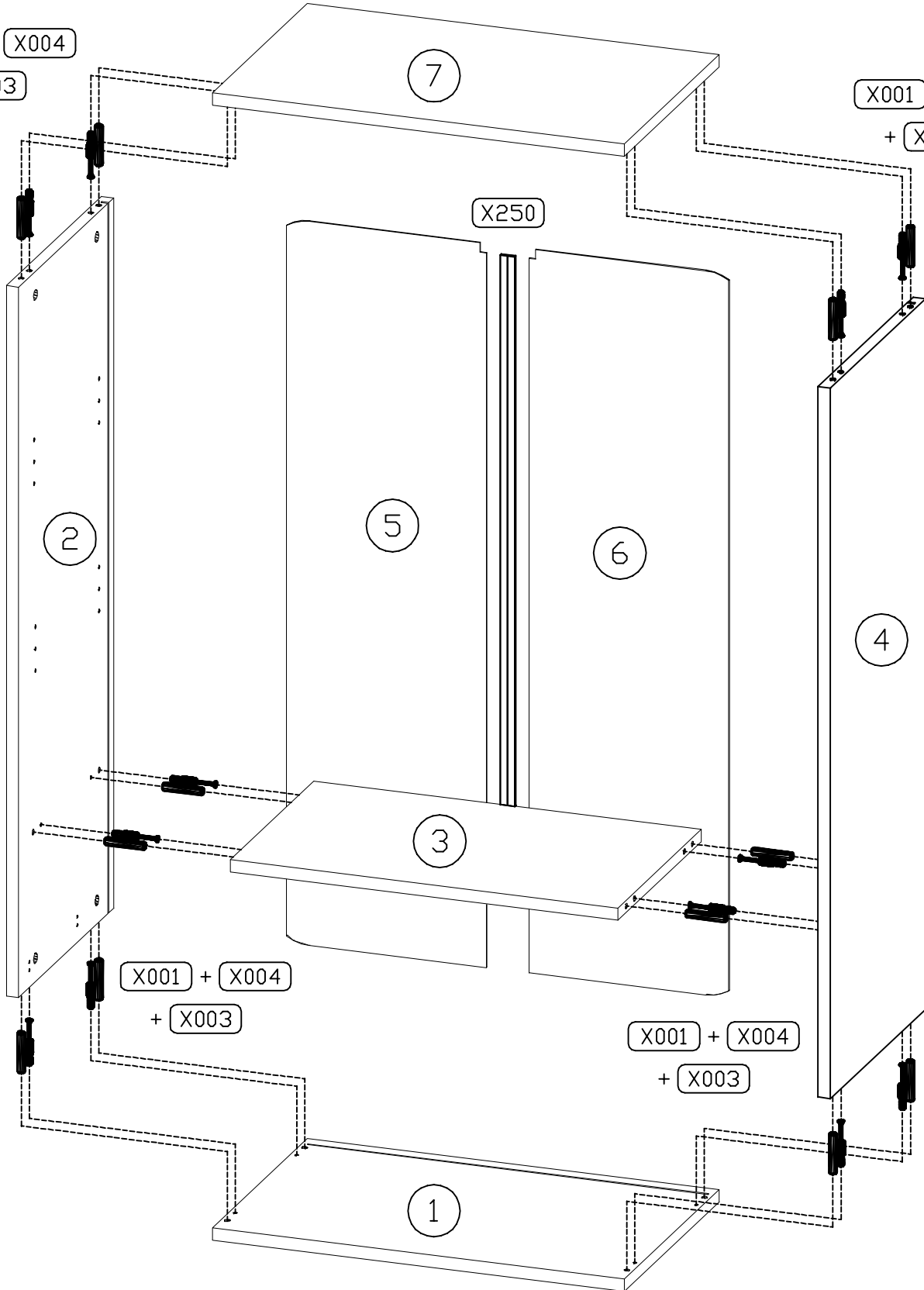
<p>X001 = 20pcs</p> 	<p>X002 = 4pcs</p>  <p>H-10</p>	<p>X003 = 12pcs</p>  <p>H-13</p>	<p>X004 = 16pcs</p> 	<p>X009 = 16pcs</p> 	<p>X140 = 37pcs</p> 	<p>X130 = 8pcs</p> 
<p>X172 = 4pcs '15'</p>  <p>BLUM</p>	<p>X173 = 4pcs H2</p>  <p>BLUM</p>	<p>X150 = 2pcs</p> 	<p>X151 = 2pcs</p> 	<p>X152 = 2pcs</p> 	<p>X149 = 1pcs</p> 	<p>X022 = 4pcs 3x16</p> 
<p>X025 = 45pcs 3.5x16</p> 	<p>X010 = 8pcs EURO ø4</p> 	<p>X410 = 1sets</p> <p>268mm</p>  <p>PUSH TO OPEN L300</p>		<p>X300 = 4pcs</p> 		
<p>X120 = 12pcs</p> 	<p>X040 = 16pcs 4.2x16</p> 	<p>X250 = 1pcs</p> <p>L-803</p> 				

1



X001 + X004
+ X003

X001 + X004
+ X003

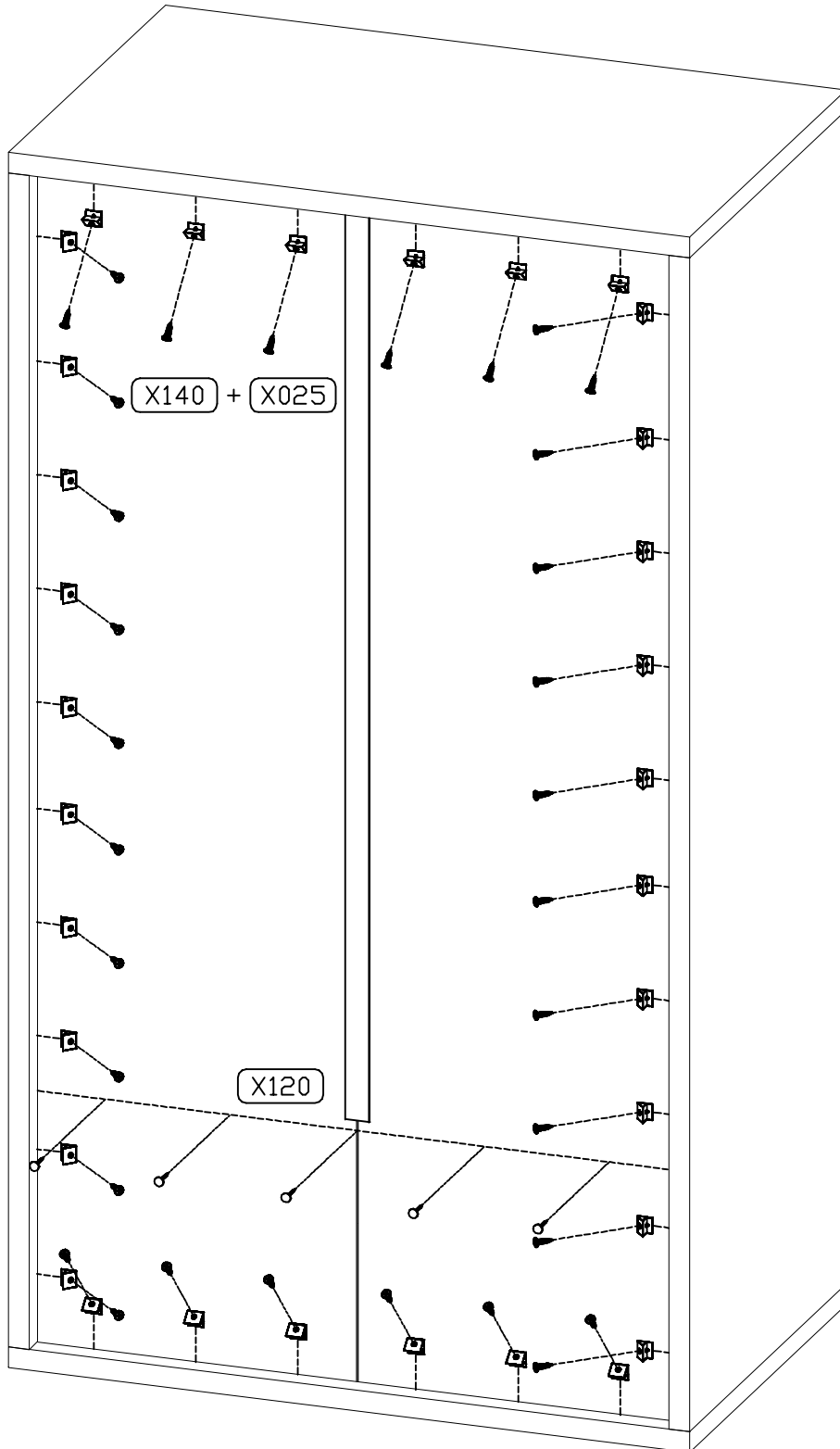
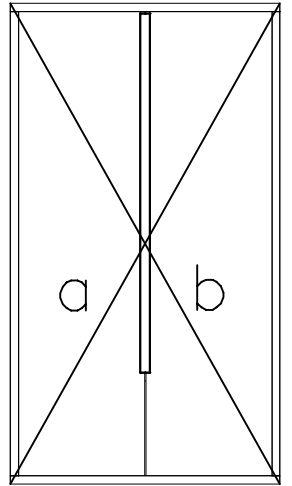
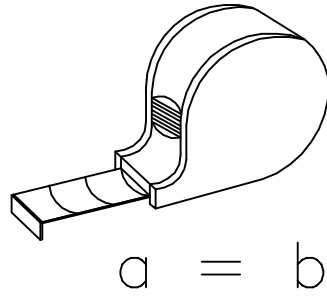


X001 + X004
+ X003

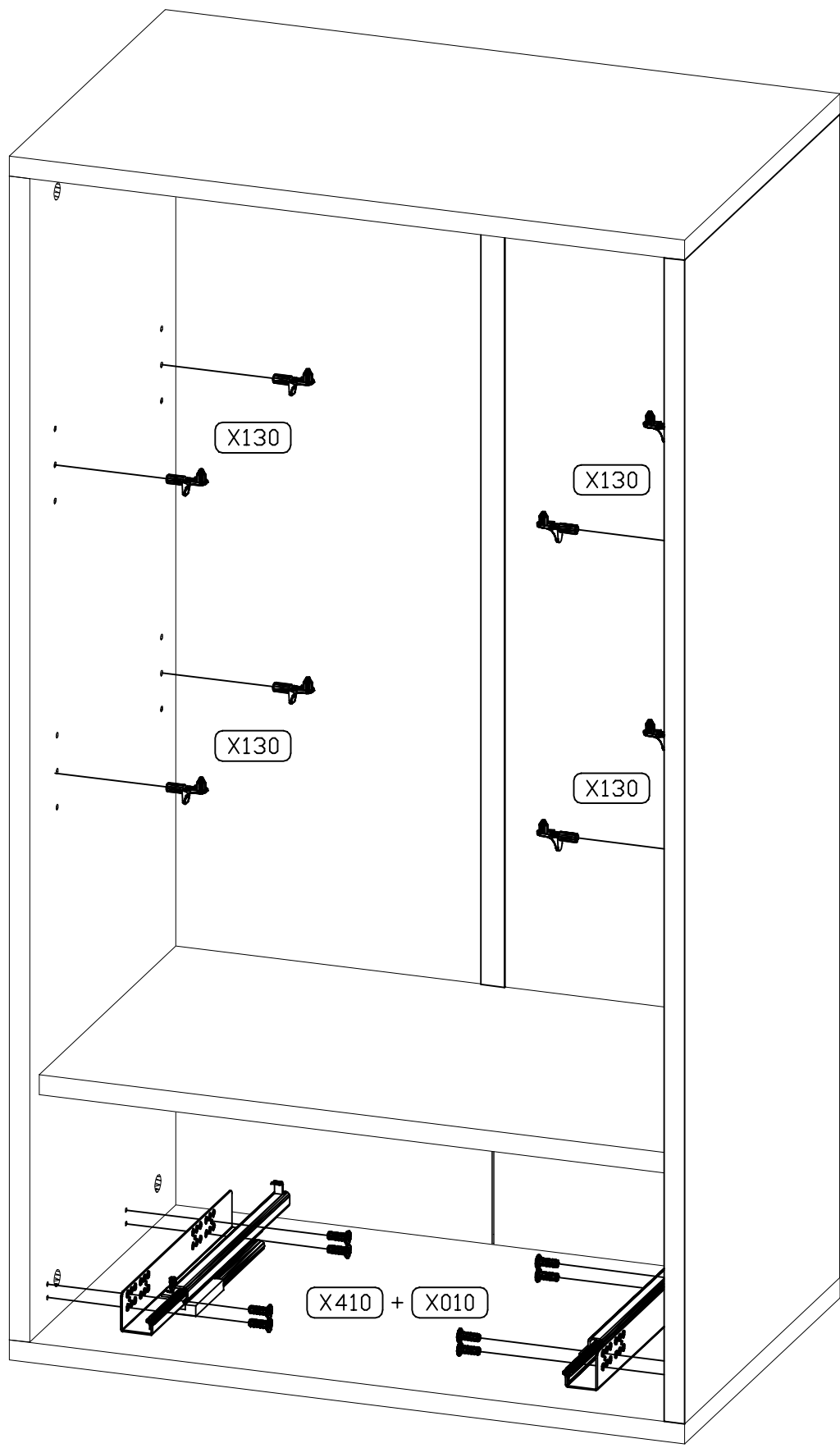
X001 + X004
+ X003

1

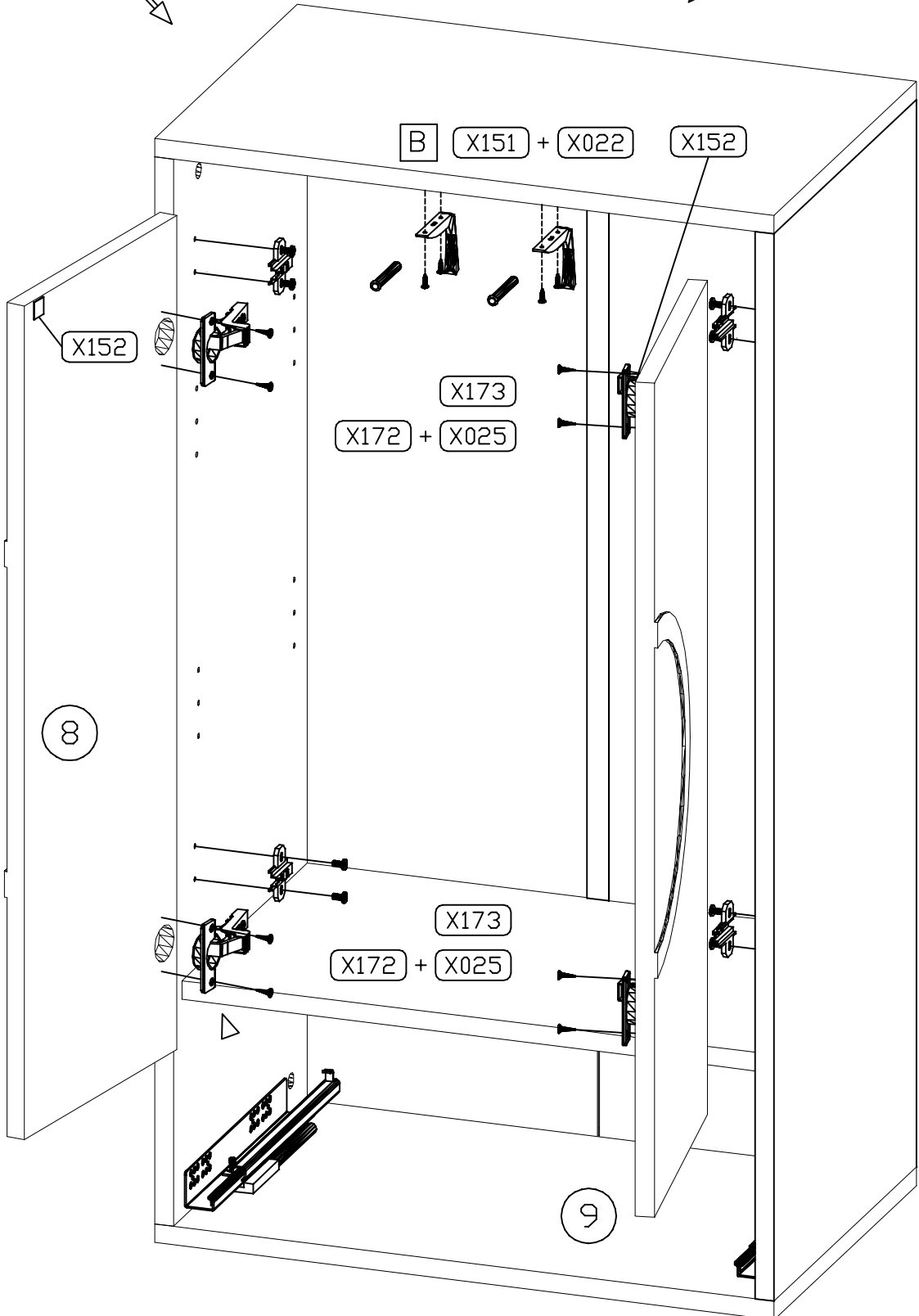
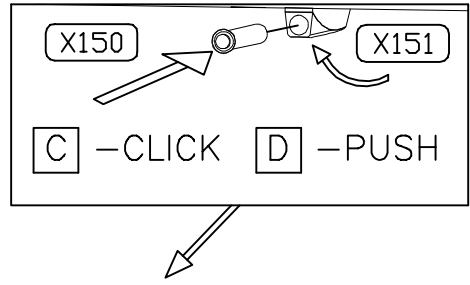
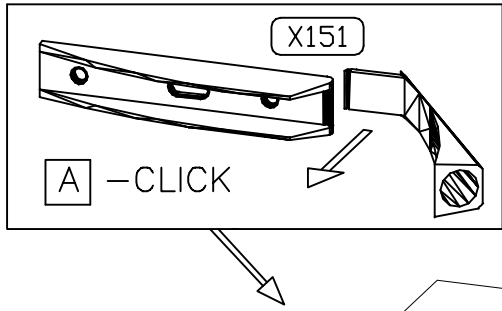
2



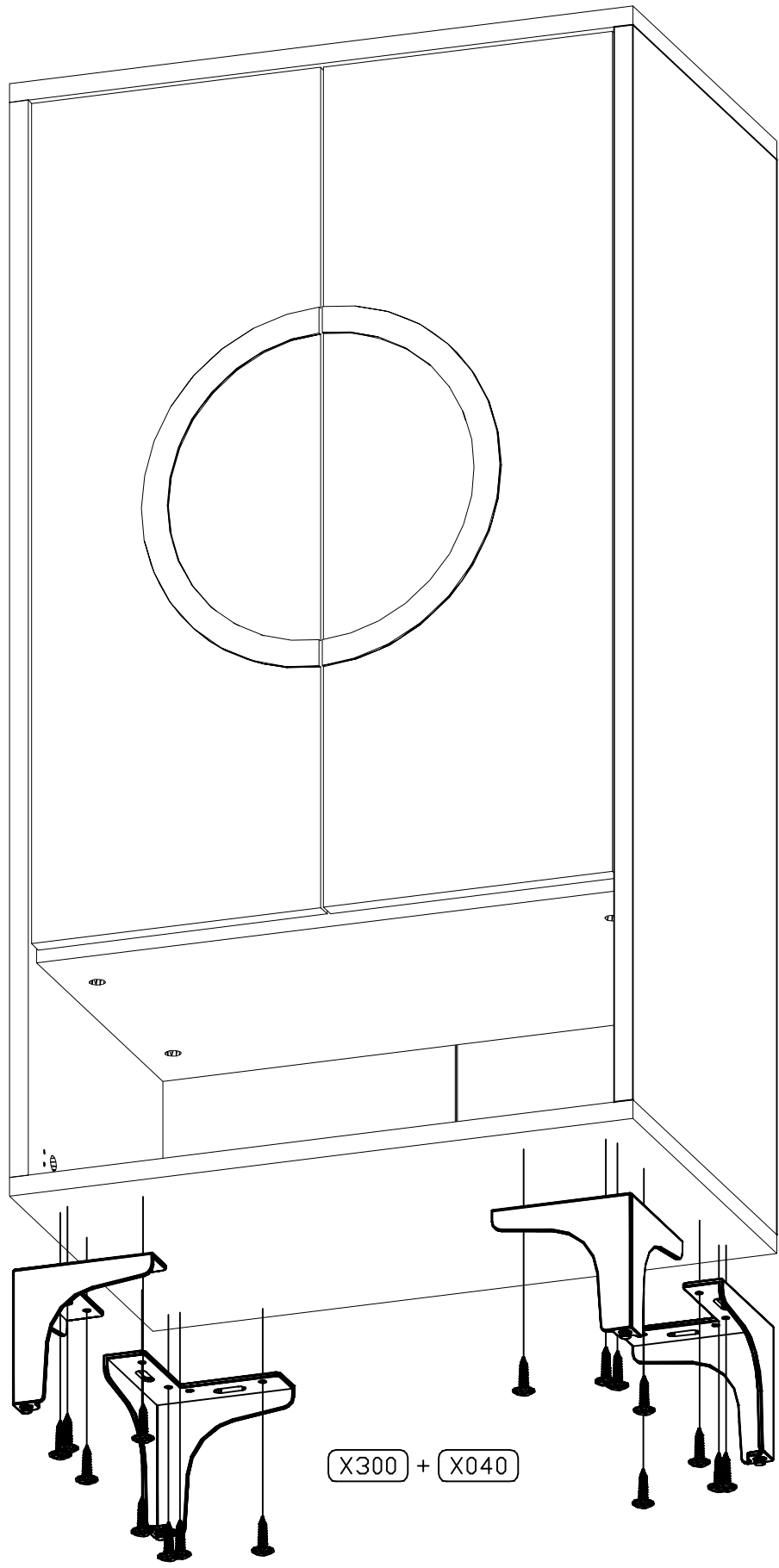
3



4

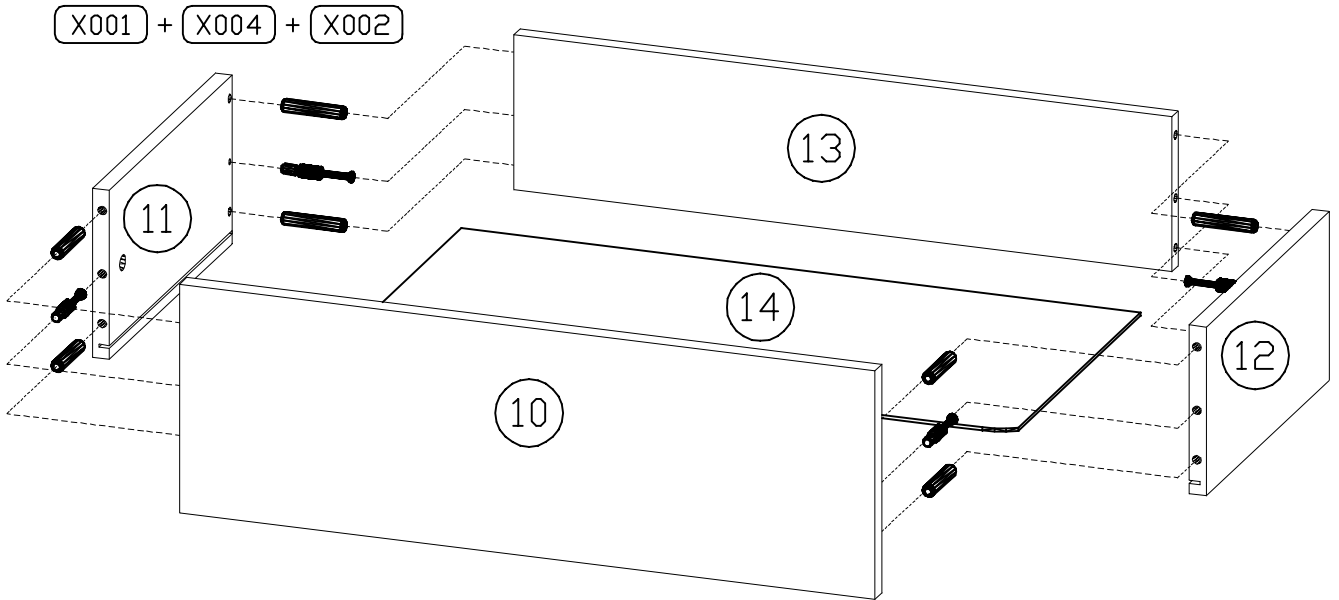


5

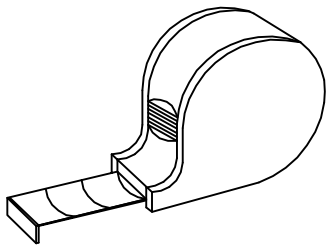


X300 + X040

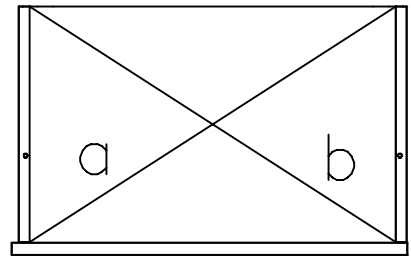
6



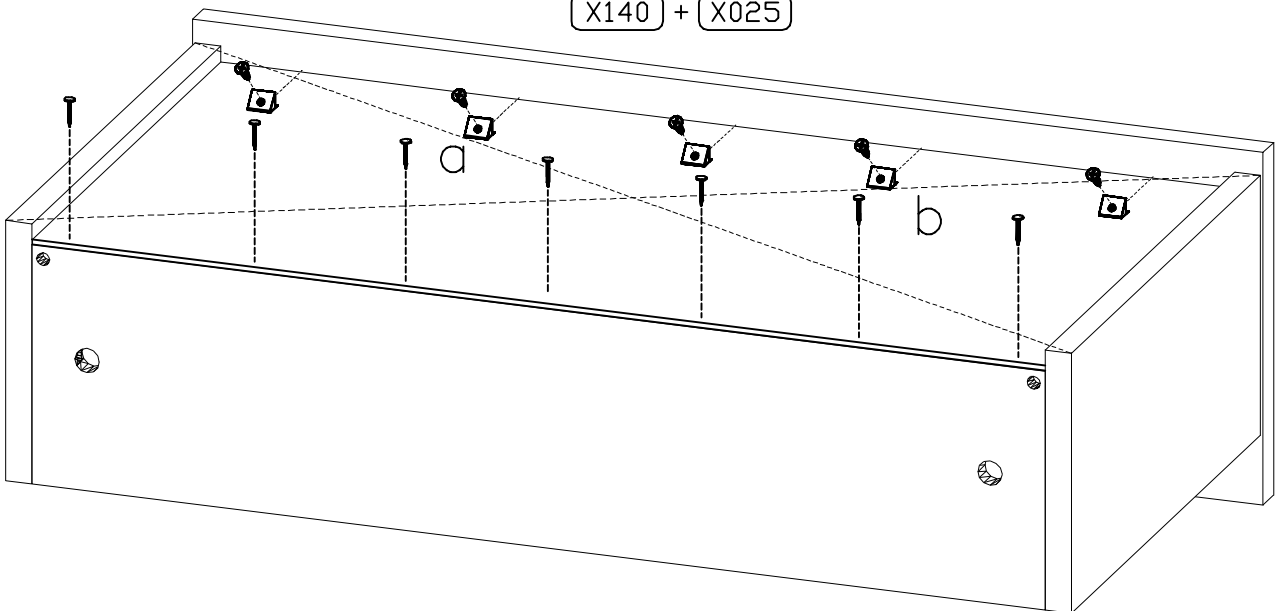
7



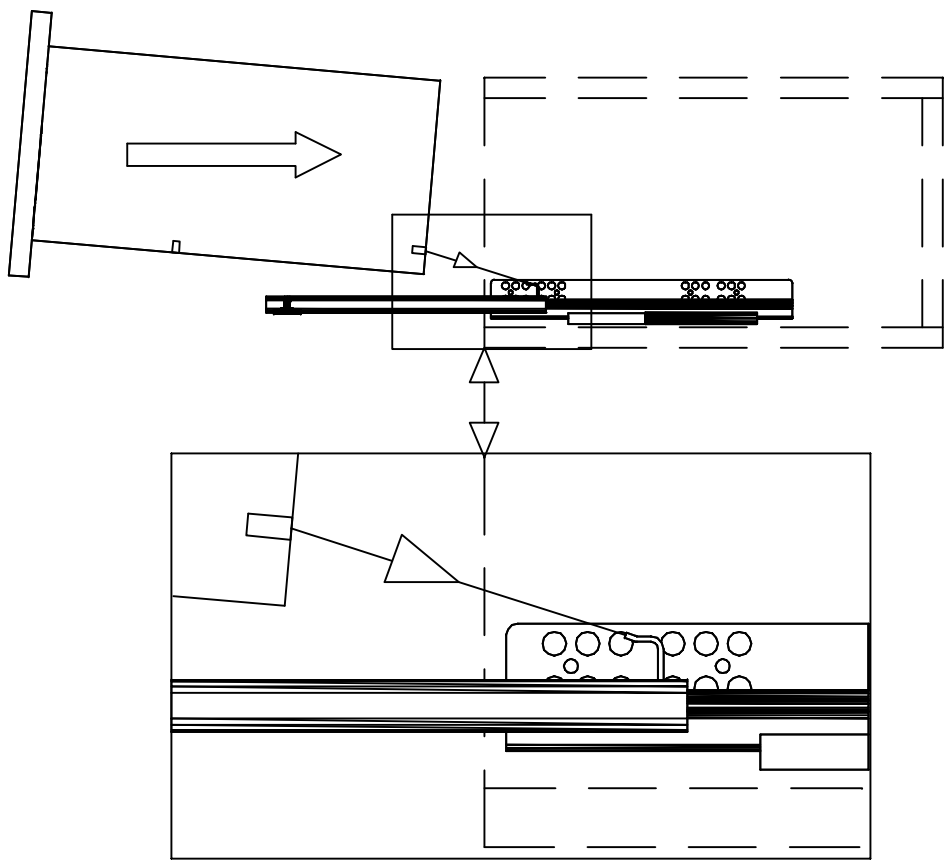
$a = b$



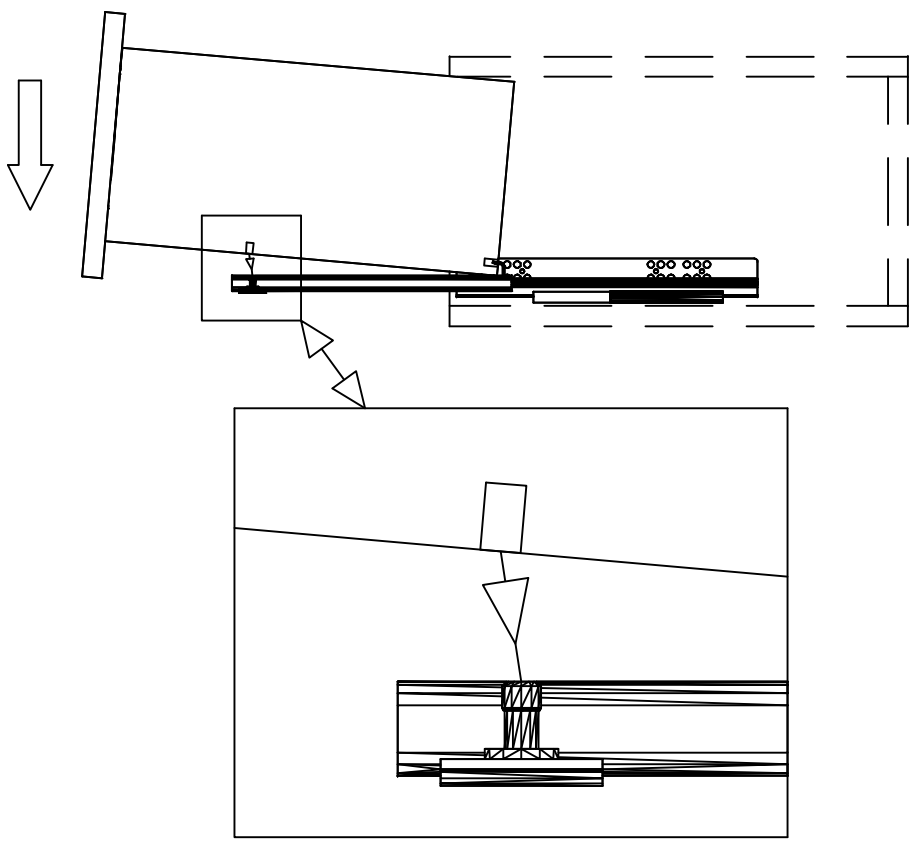
X140 + X025



8



9



10

