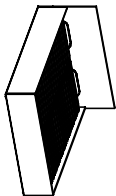
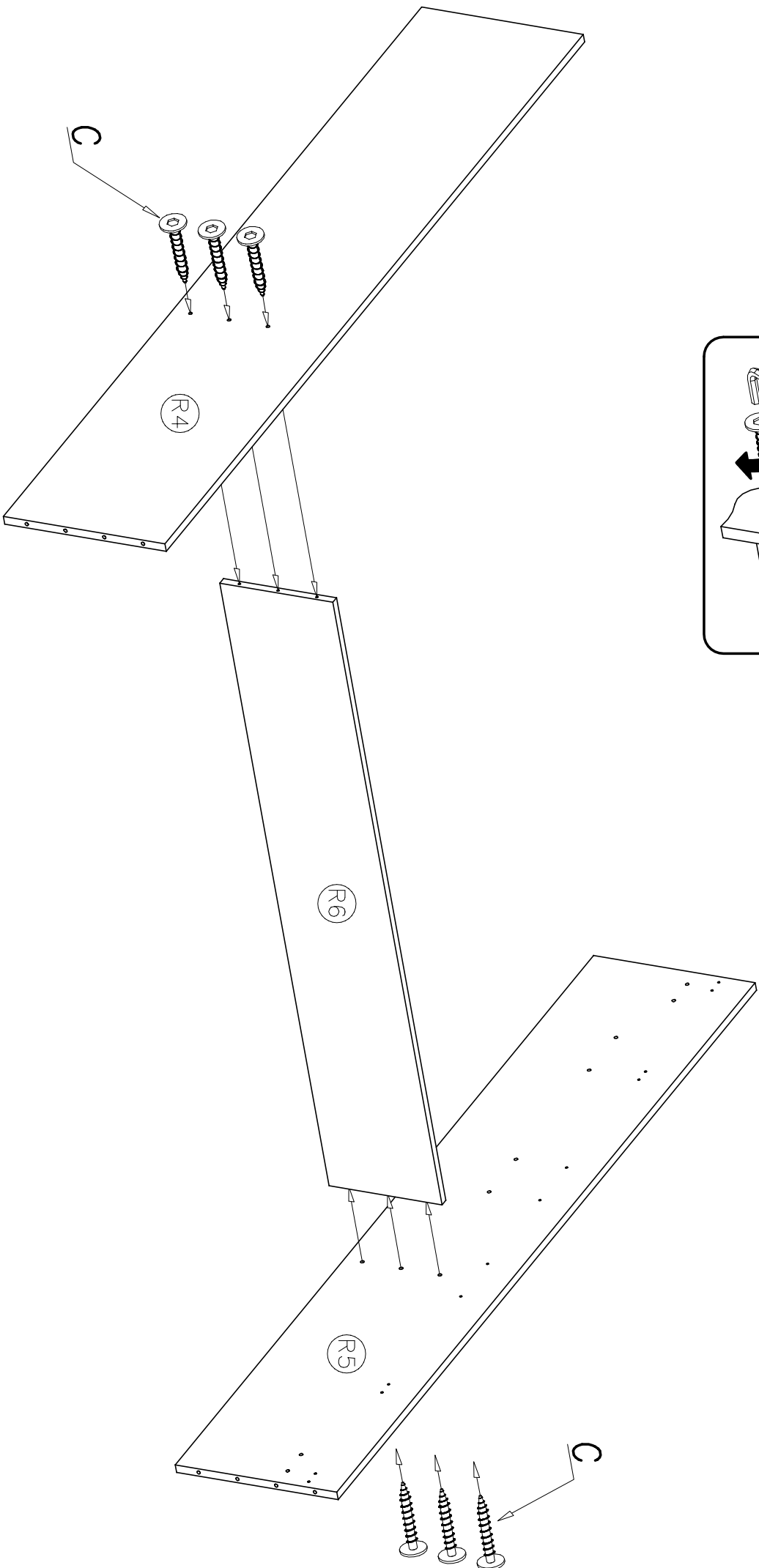
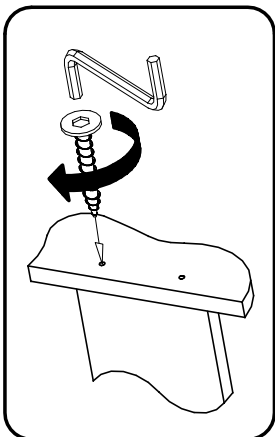


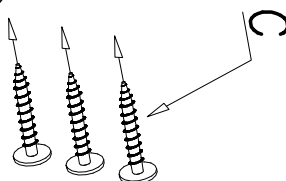
| | | | | |
|----------------------|----------------------|--------------------------|---------------------|---|
| <p>L3a</p> <p>x1</p> | <p>L3b</p> <p>x1</p> | <p>P4</p> <p>x4</p> | <p>J</p> <p>x50</p> | <p>G1</p> <p>x1</p> <p>N30</p> <p>M6x15 x24</p> |
| <p>I5</p> <p>x24</p> | <p>M12</p> <p>x4</p> | <p>C</p> <p>6x50 x22</p> | <p>G2</p> <p>x1</p> | <p>B3</p> <p>ø6x50 x10</p> |

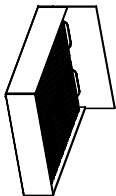


1



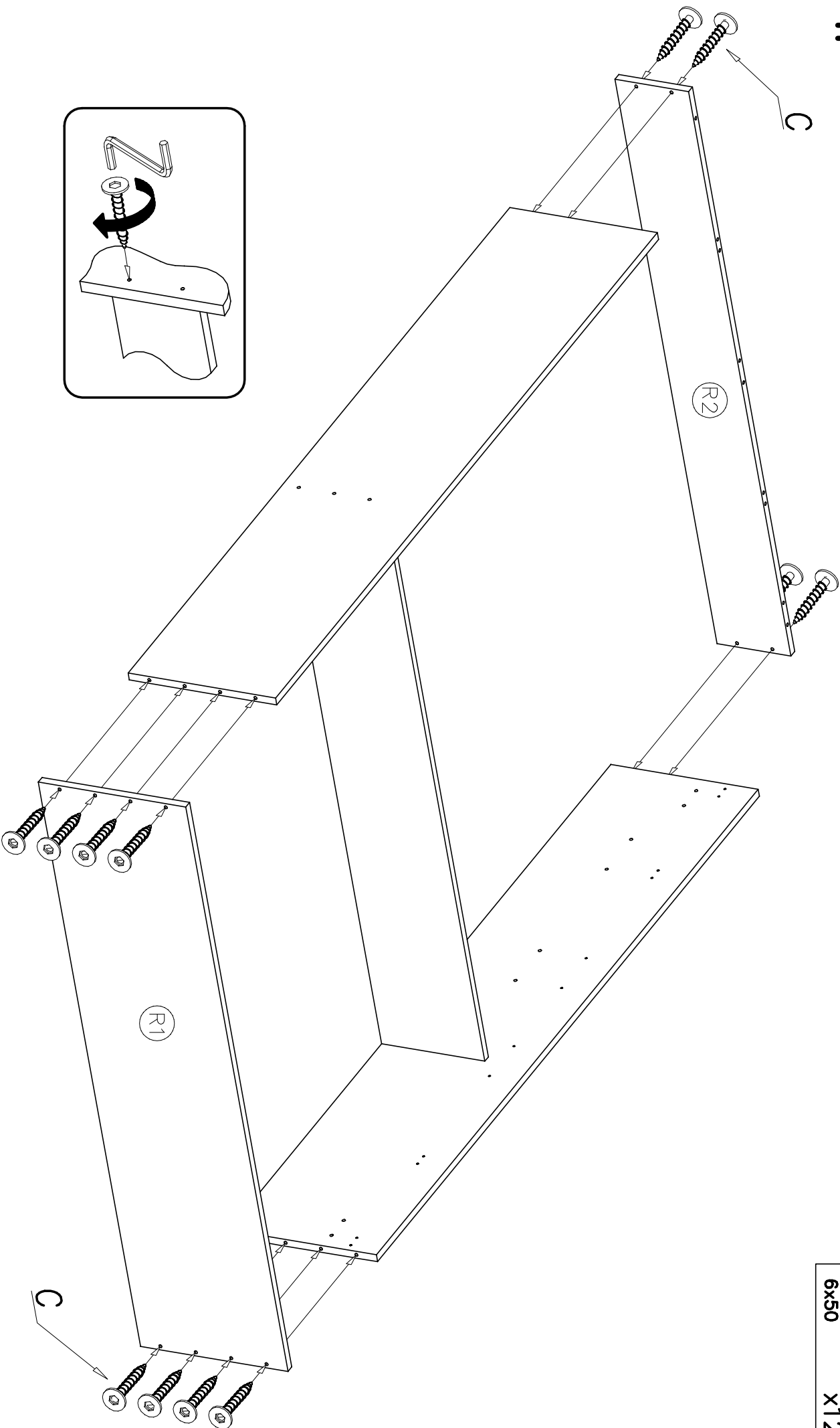
C
6x50
x6

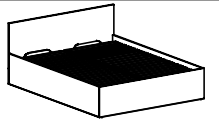




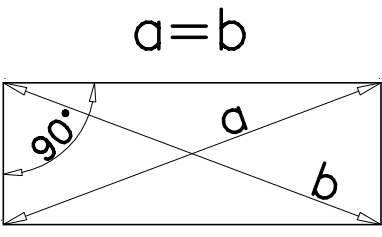
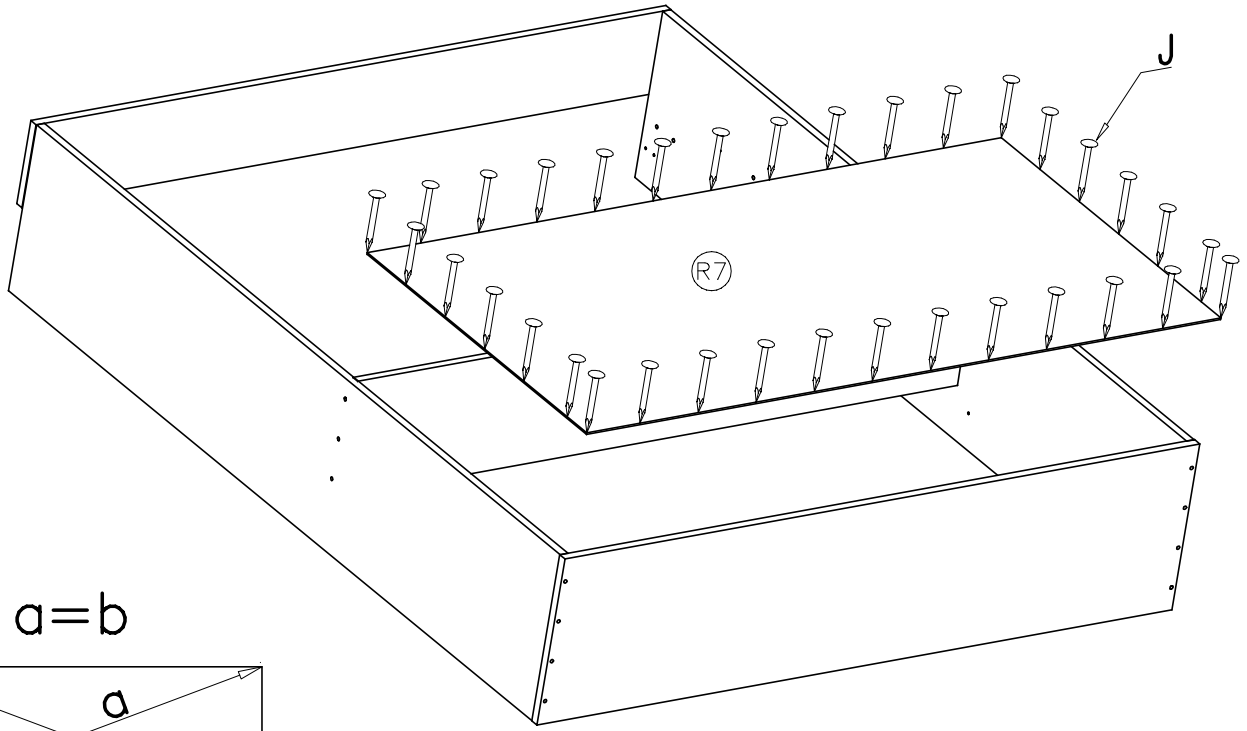
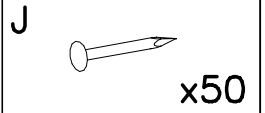
||

C
6x50 X12

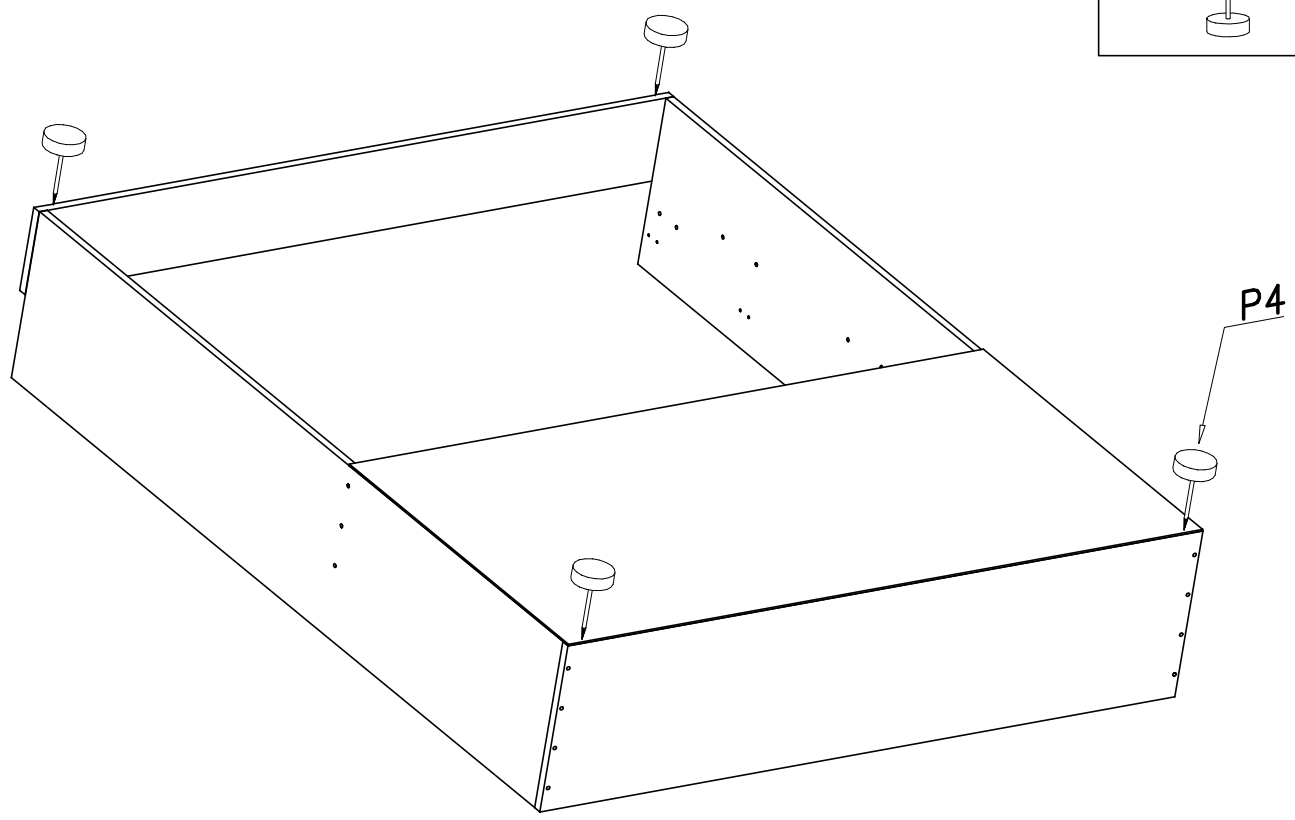
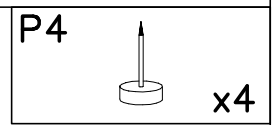


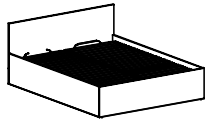


III



IV



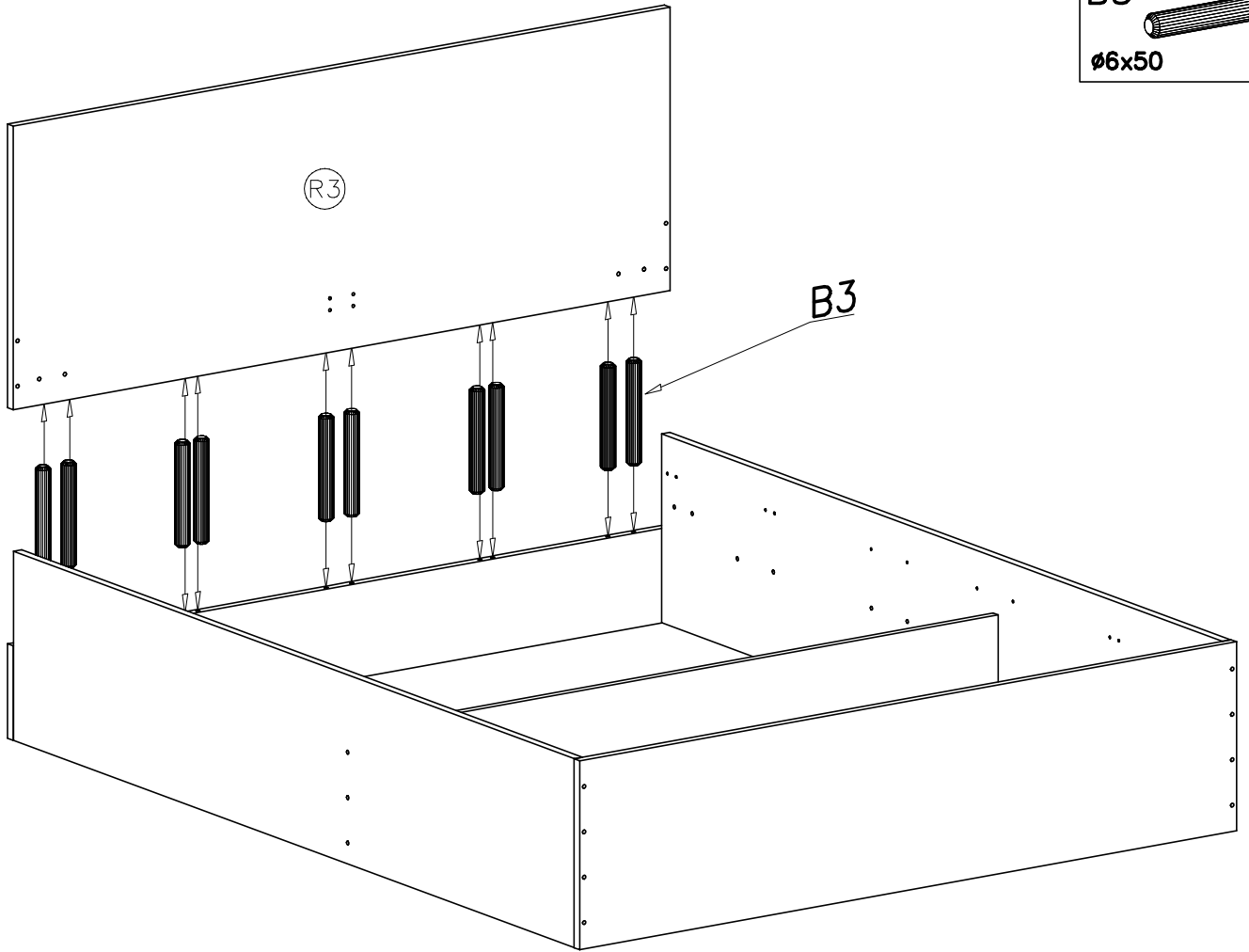


V

B3

∅6x50

x10

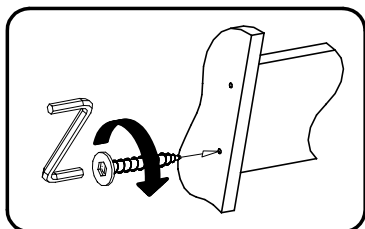
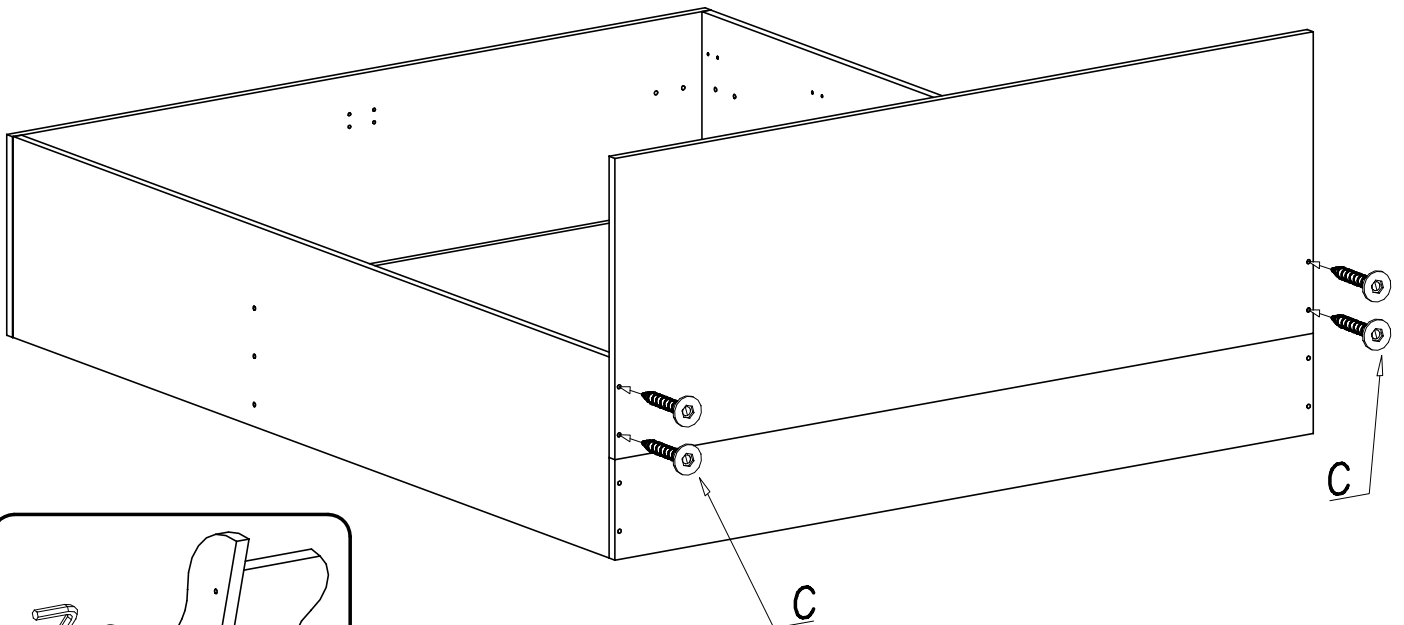
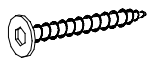


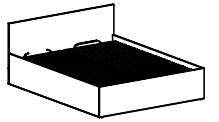
VI

C


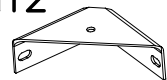

6x50

x4

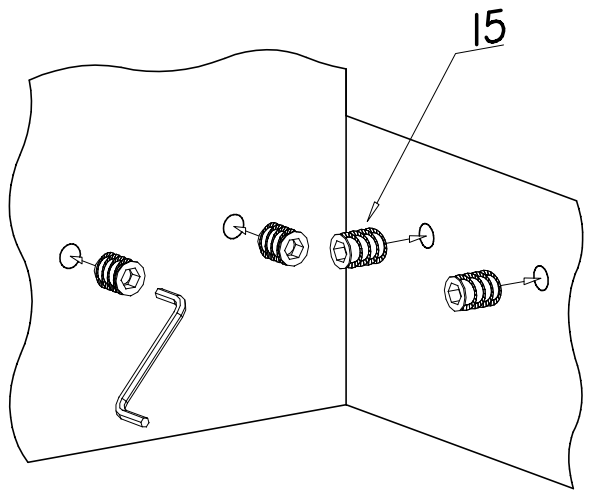




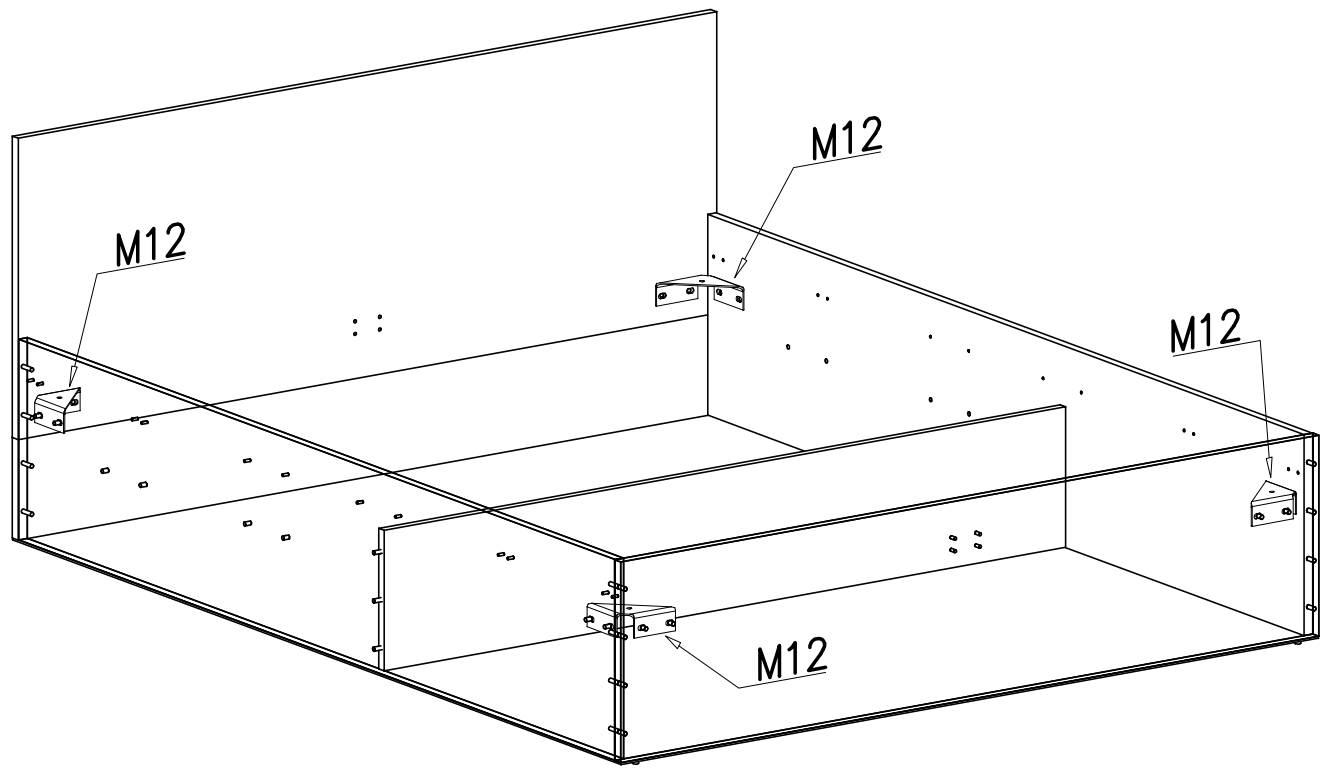
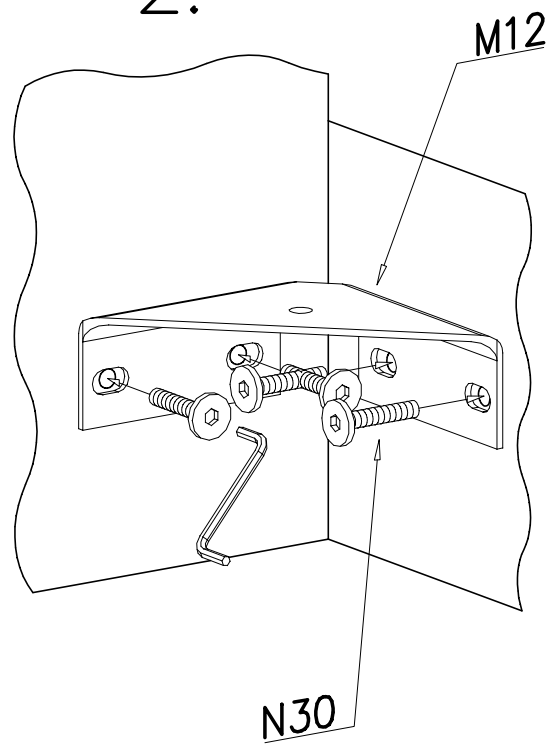
VII

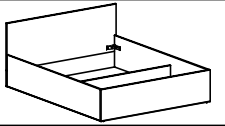
| | | | | | |
|----|---|-----|---|-------|---|
| I5 |  | M12 |  | N30 |  |
| | x16 | | x4 | M6x20 | x16 |

1.



2.



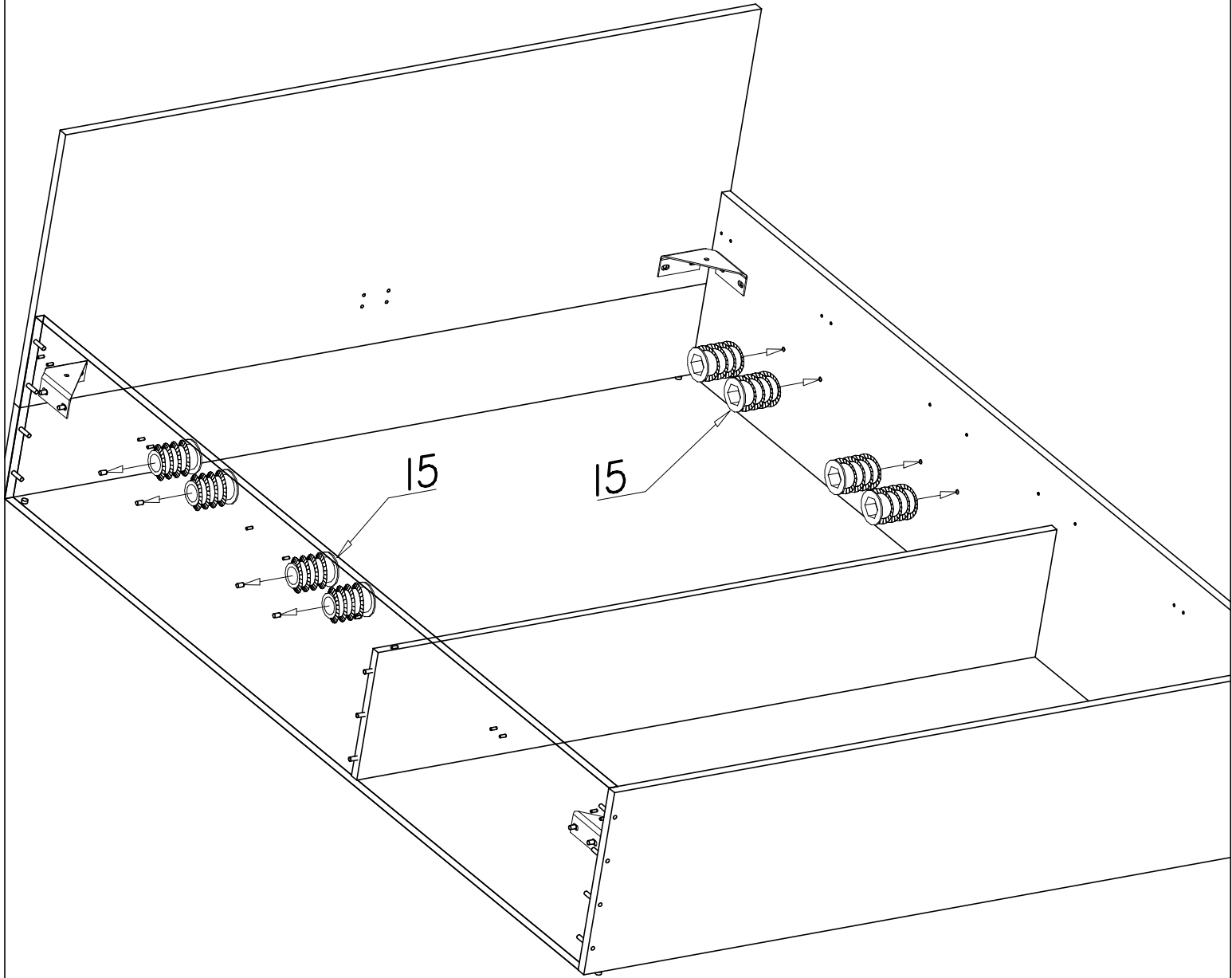


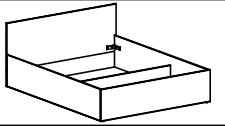
VIII

15

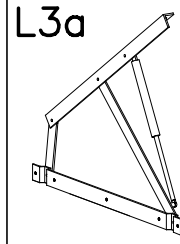


x8

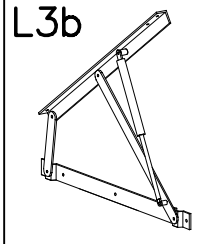




IX

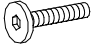


x1



x1

N30



M6x20

x8

