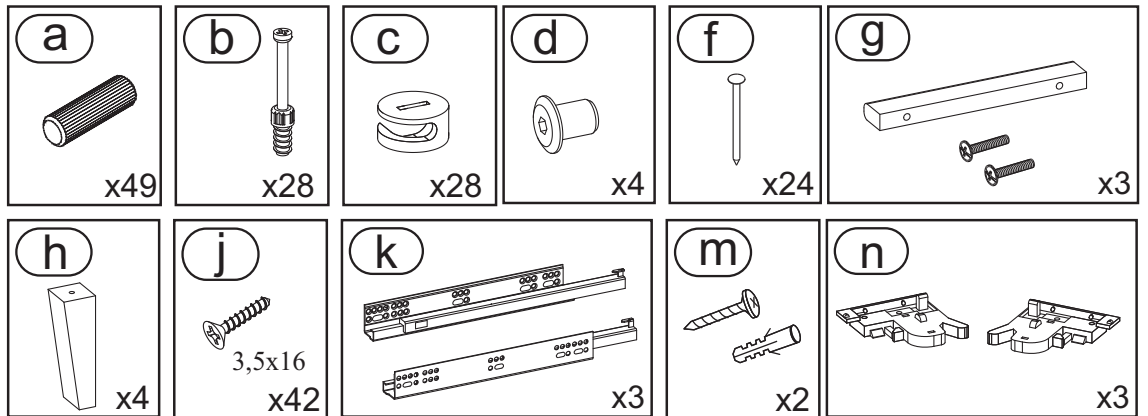
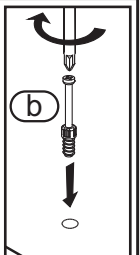
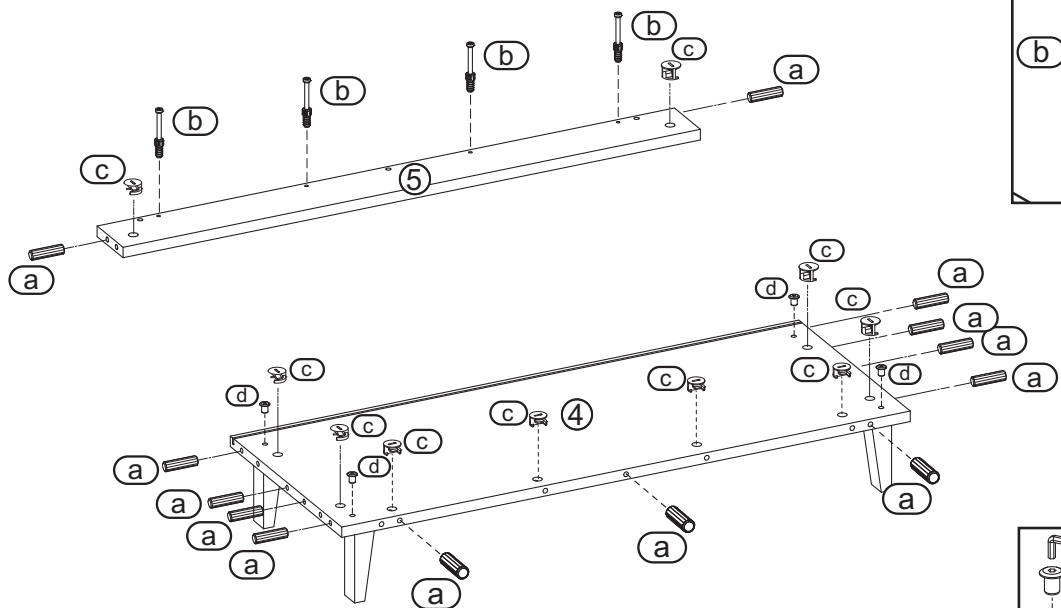
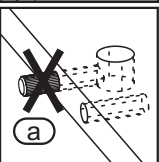
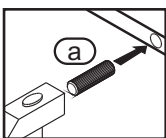
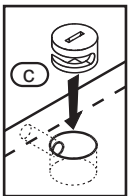


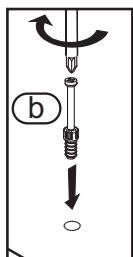
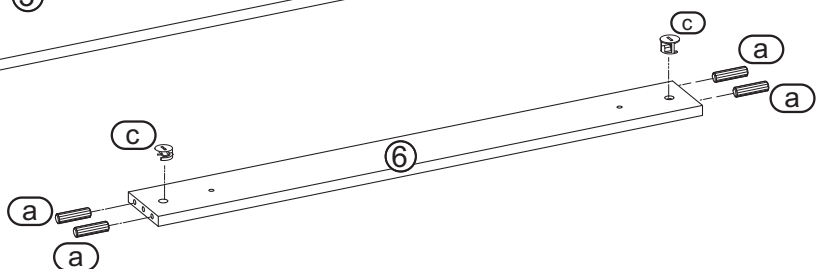
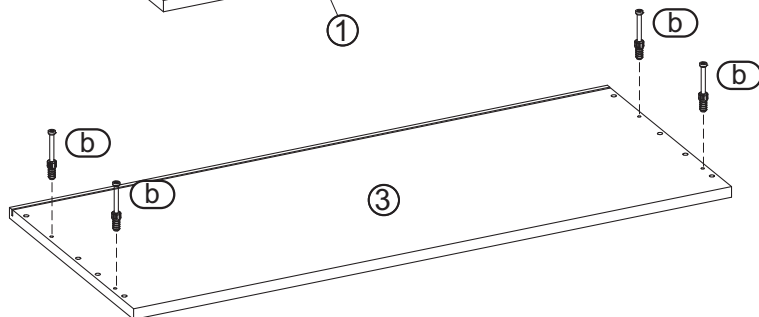
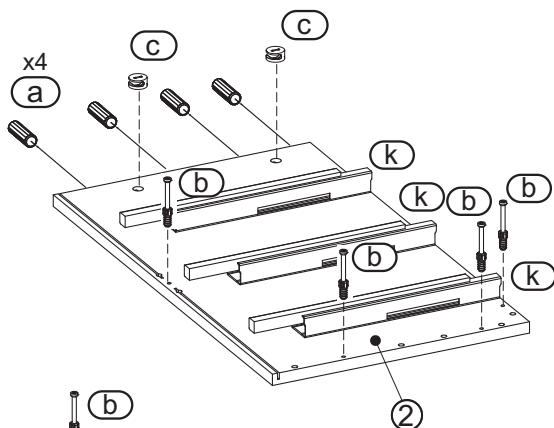
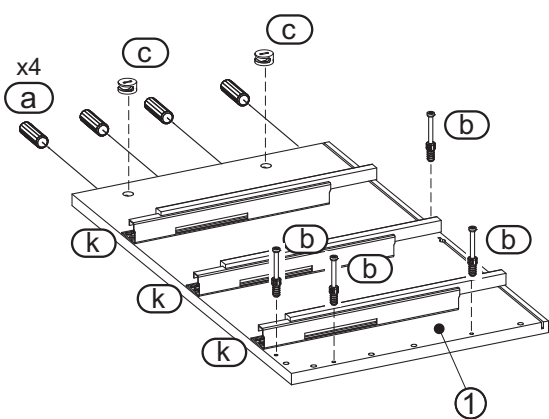
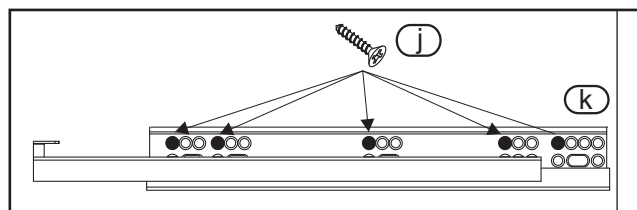
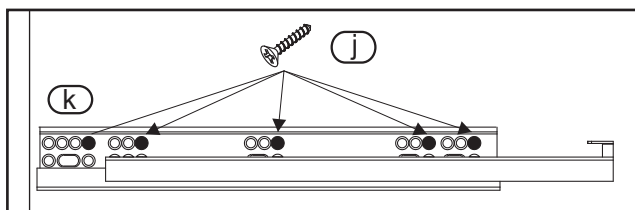
x3



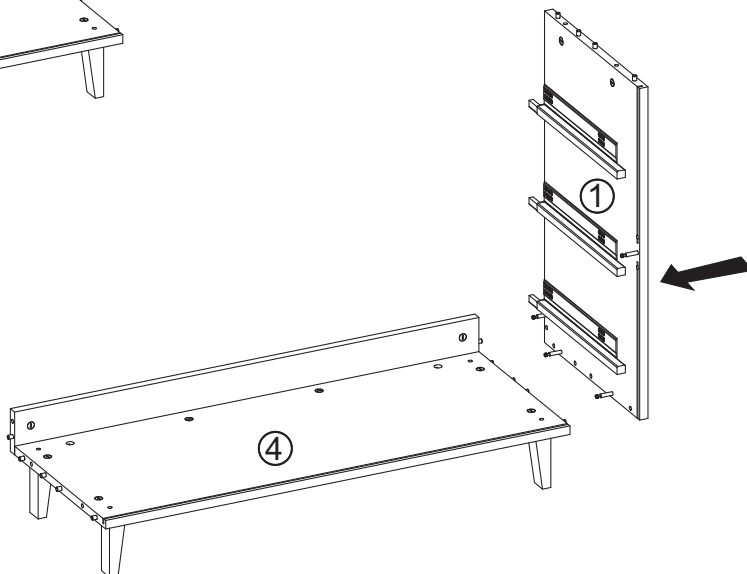
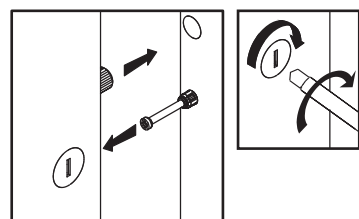
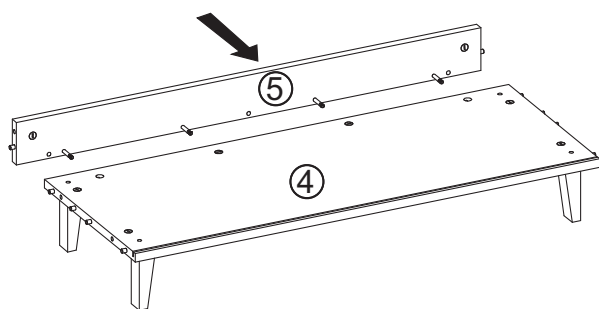
1



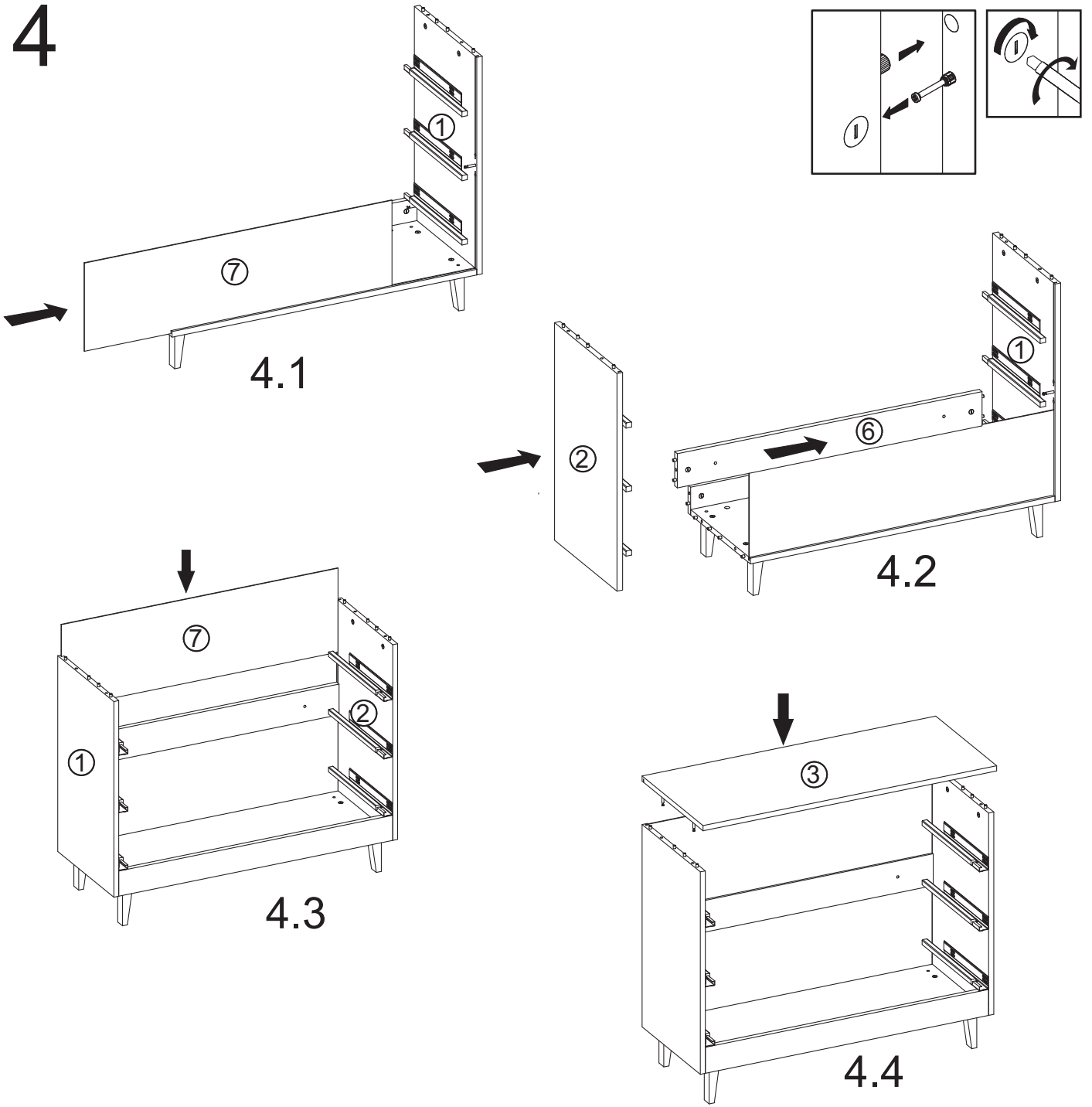
2



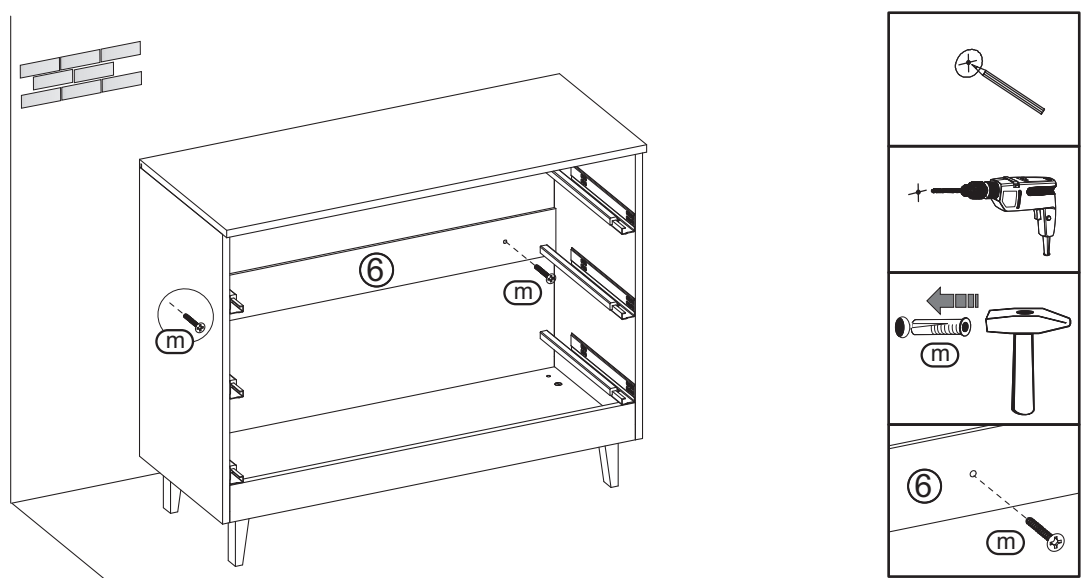
3



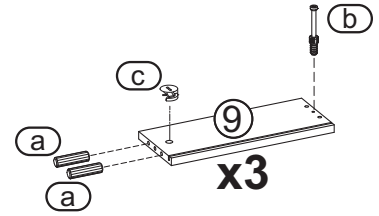
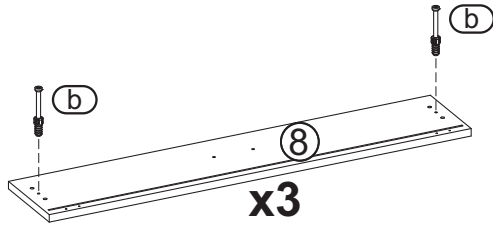
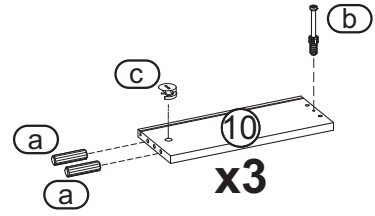
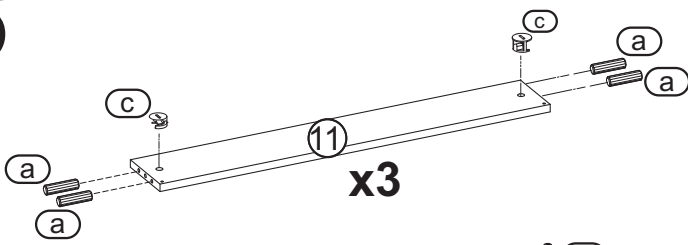
4



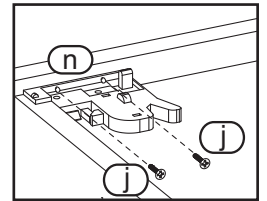
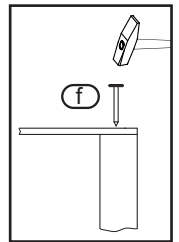
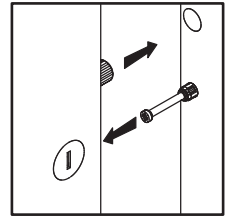
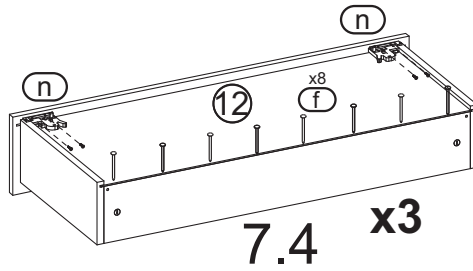
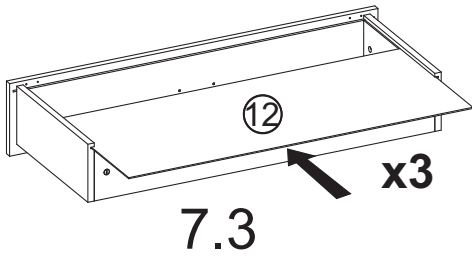
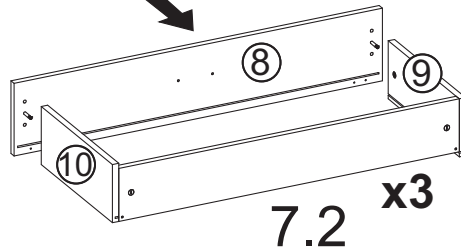
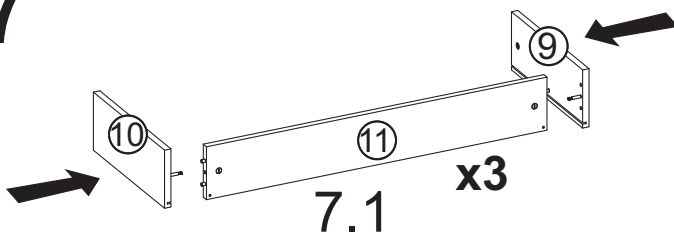
5



6



7



8

