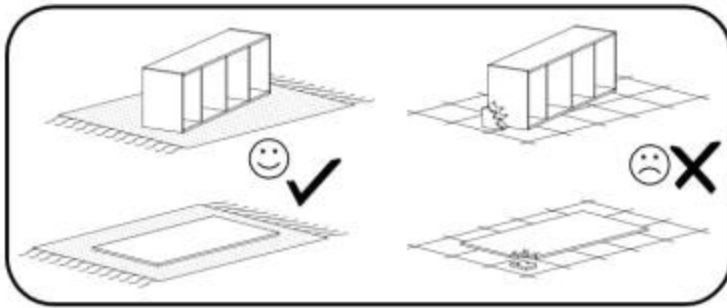
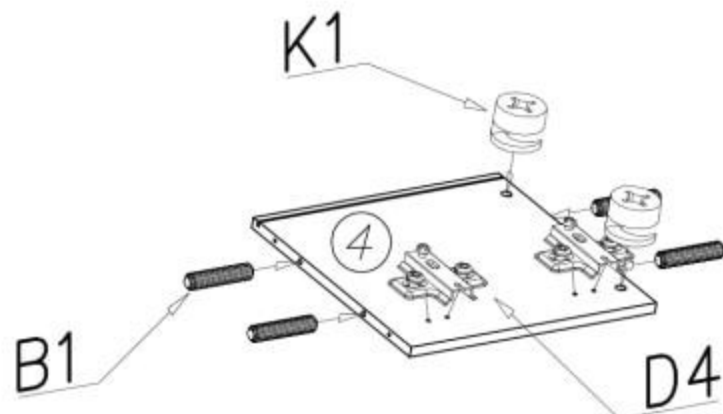
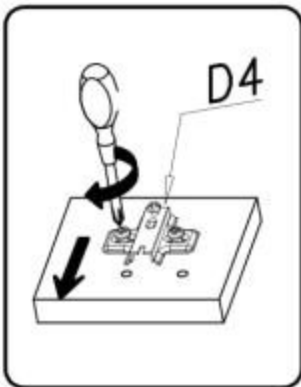
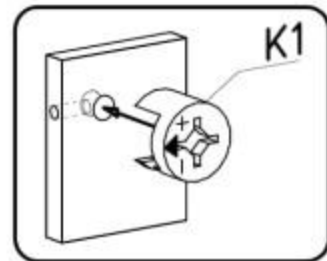
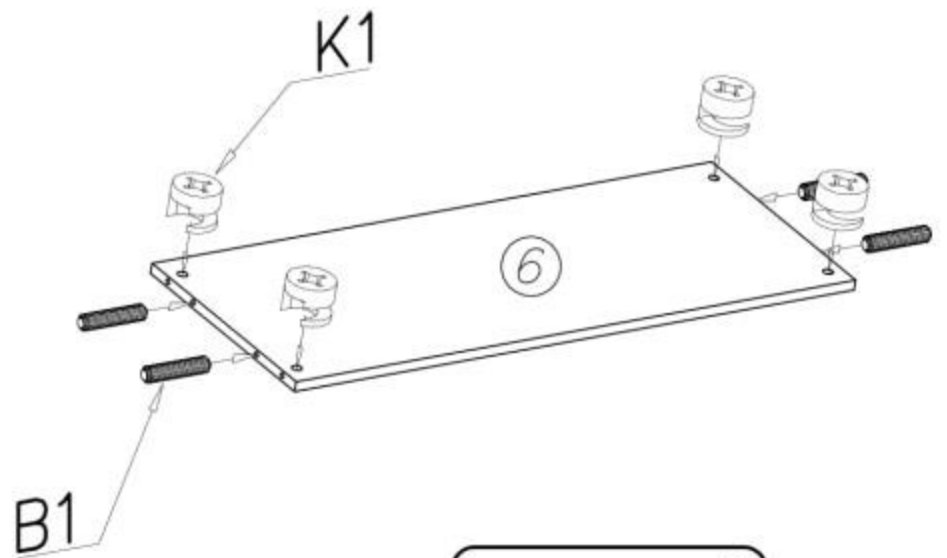
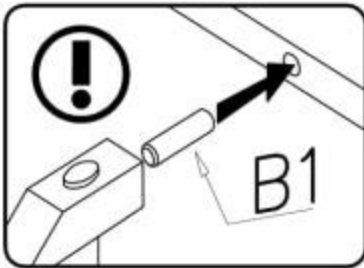
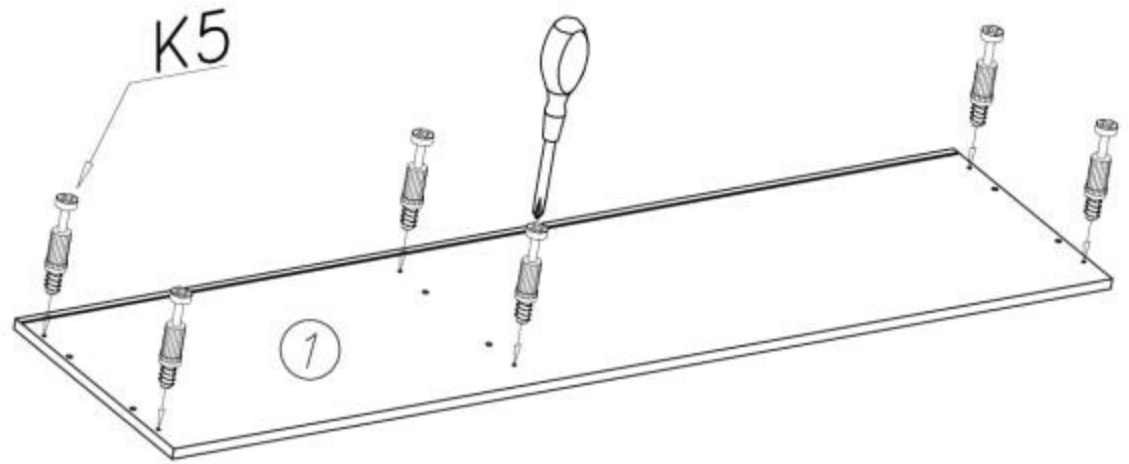
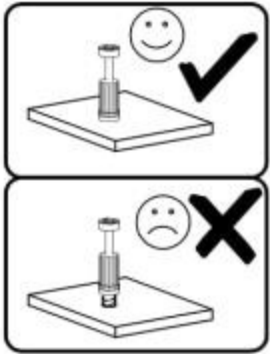


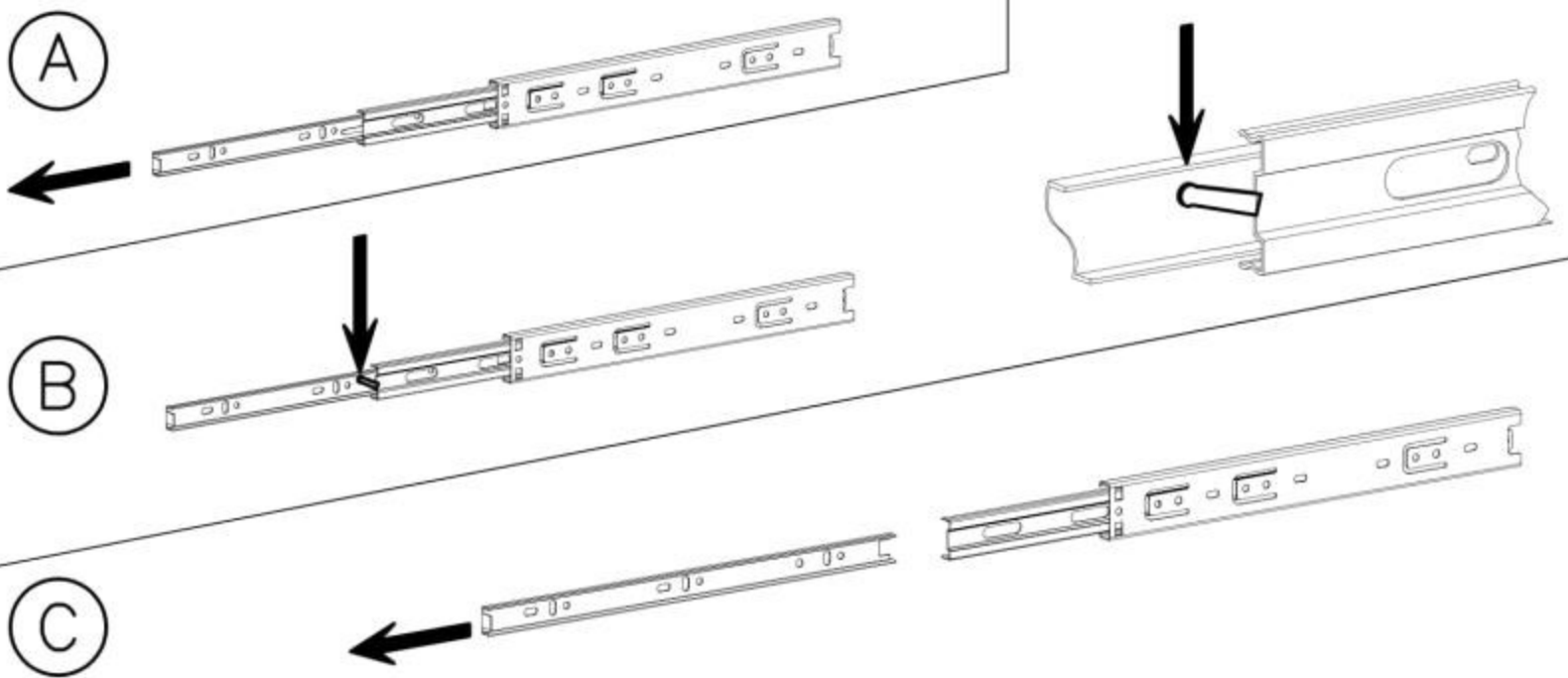
G34 3,5x16 12x	K1 ø15x12 12x	A1 ø7x50 8x	I11 ø60 2x	B1 ø8x30 20x
H23 H30-350mm 1x	G22 3x16 22x	G8 4x30 4x	F2 4x	I7 ø18 12x
M13 L-350mm 2x	C4+D4 2x	W2 1x	I1 24x	P6 1x
		K5 12x	E12 128mm 2x	P8 4x
			G9 4x35 16x	

1







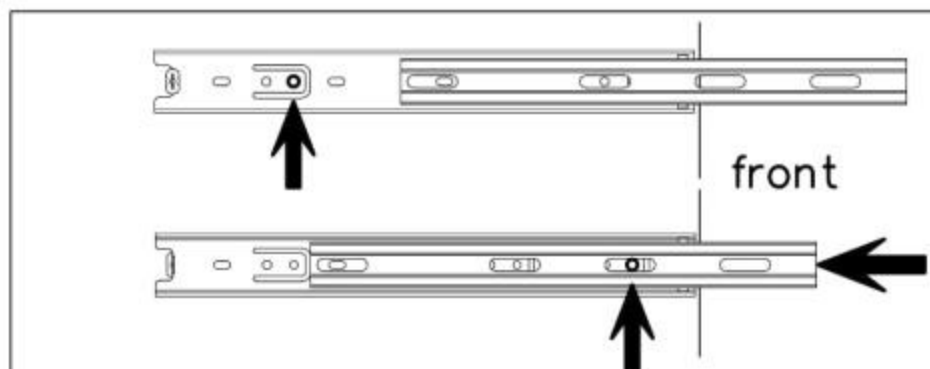
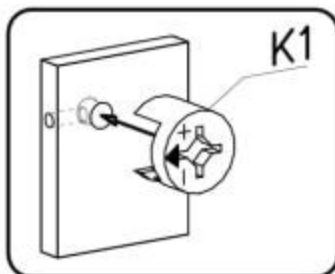
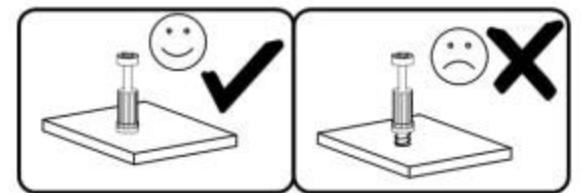
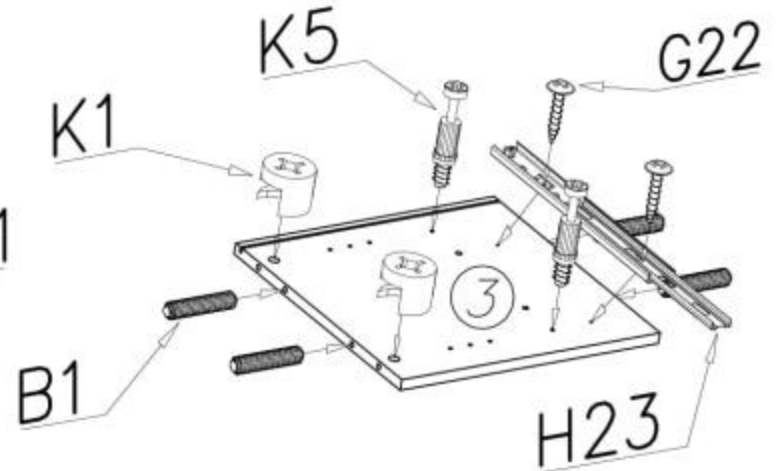
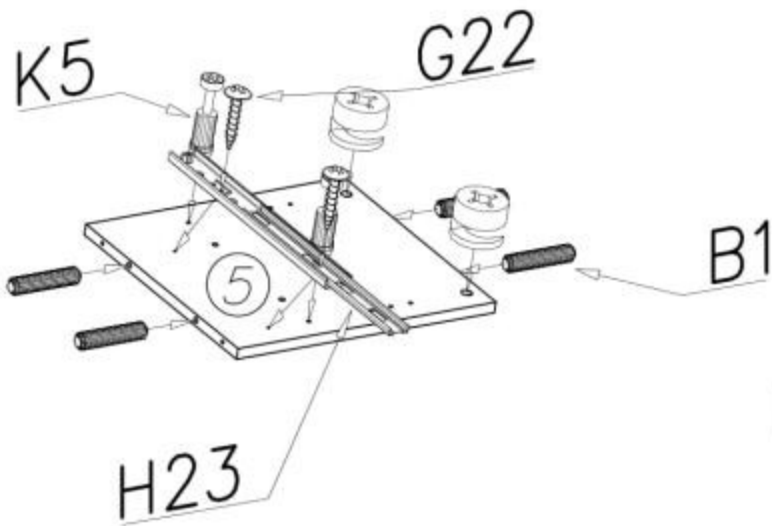
B1 ø8x30 8x	K1 ø15x12 6x
D4 2x	K5 6x



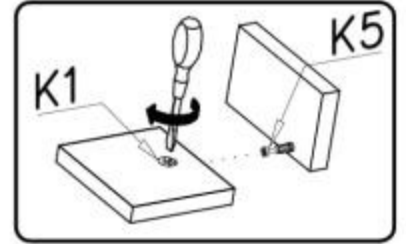
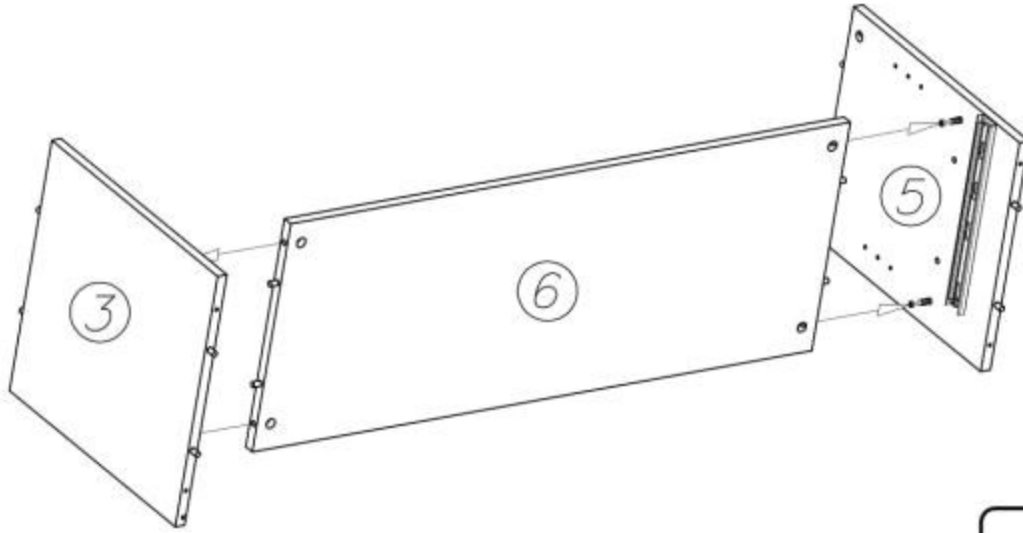


2


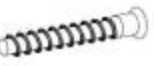
K5	B1	H23	K1
			
4x	8x	1x	4x
	∅8x30	H30-350mm	∅15x12
			G22
			3x16
			4x

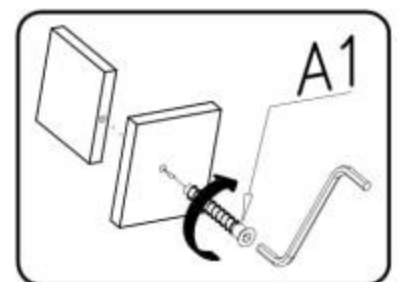
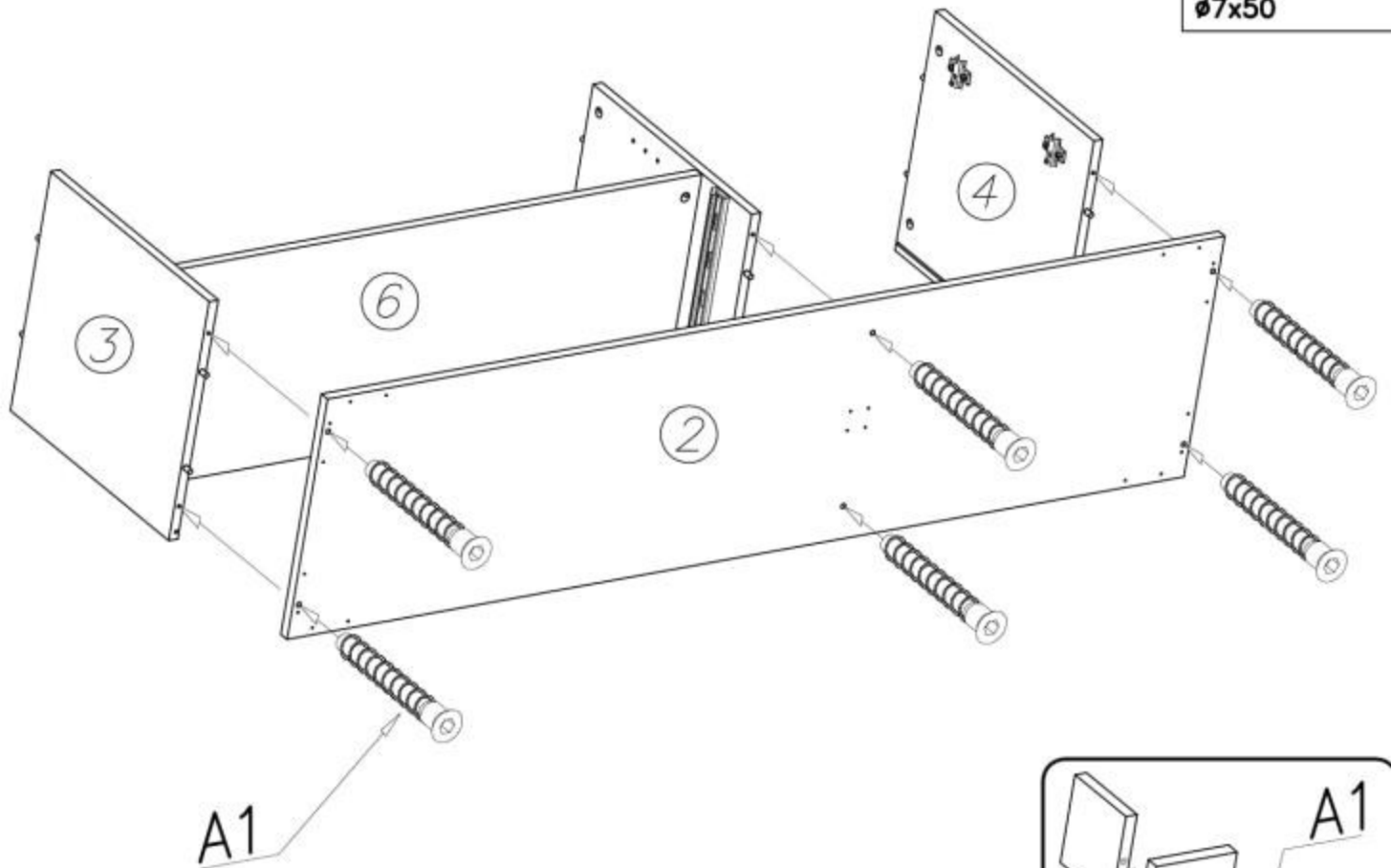


3



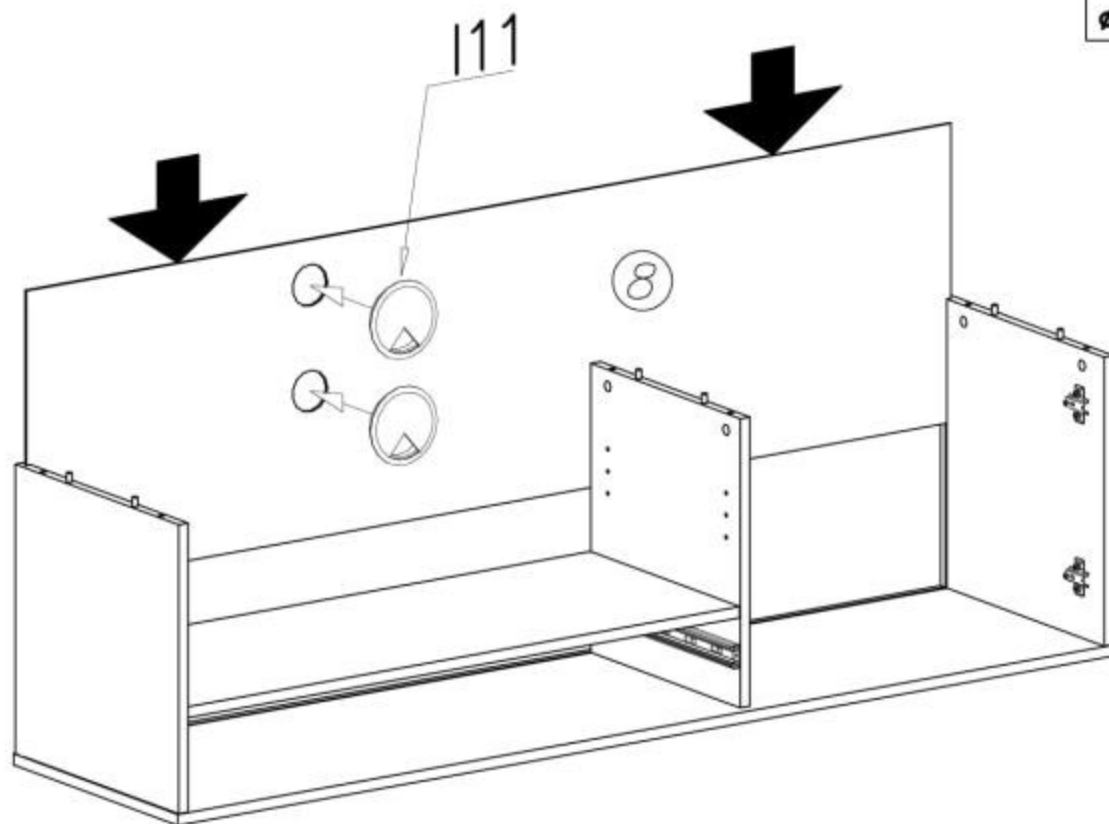
4

- W2  1x
- A1  6x
ø7x50

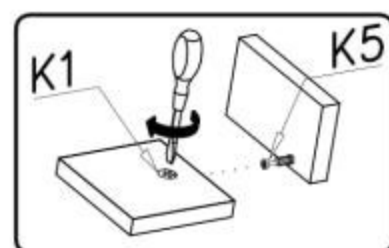
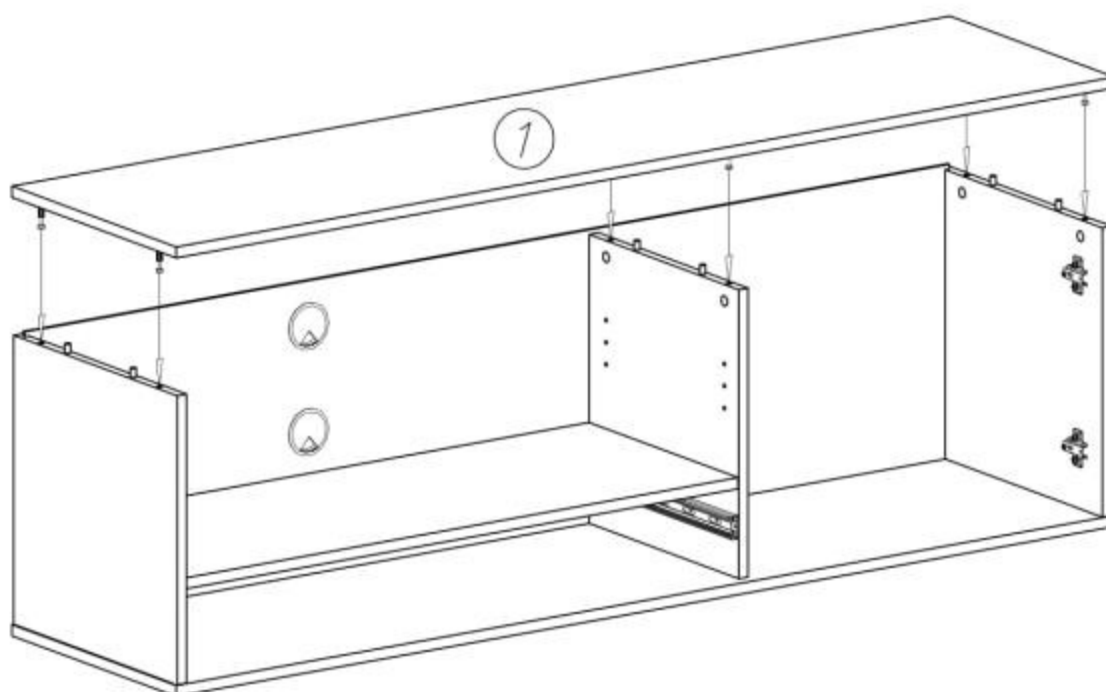


5

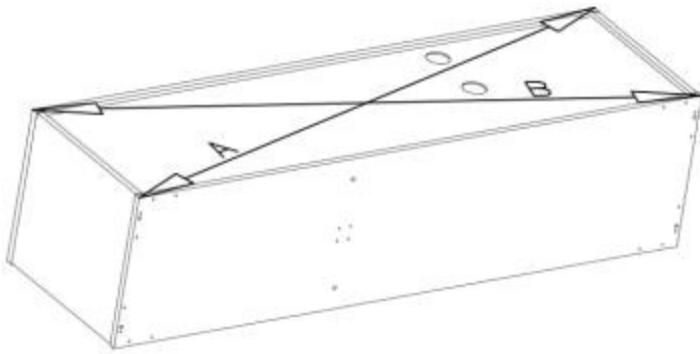
I11
ø60 2x


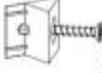


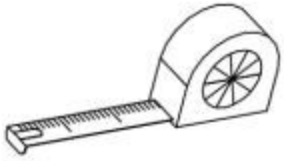
6



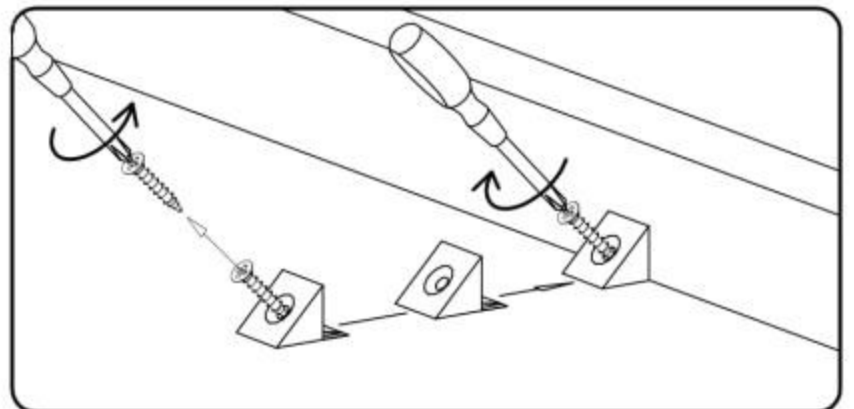
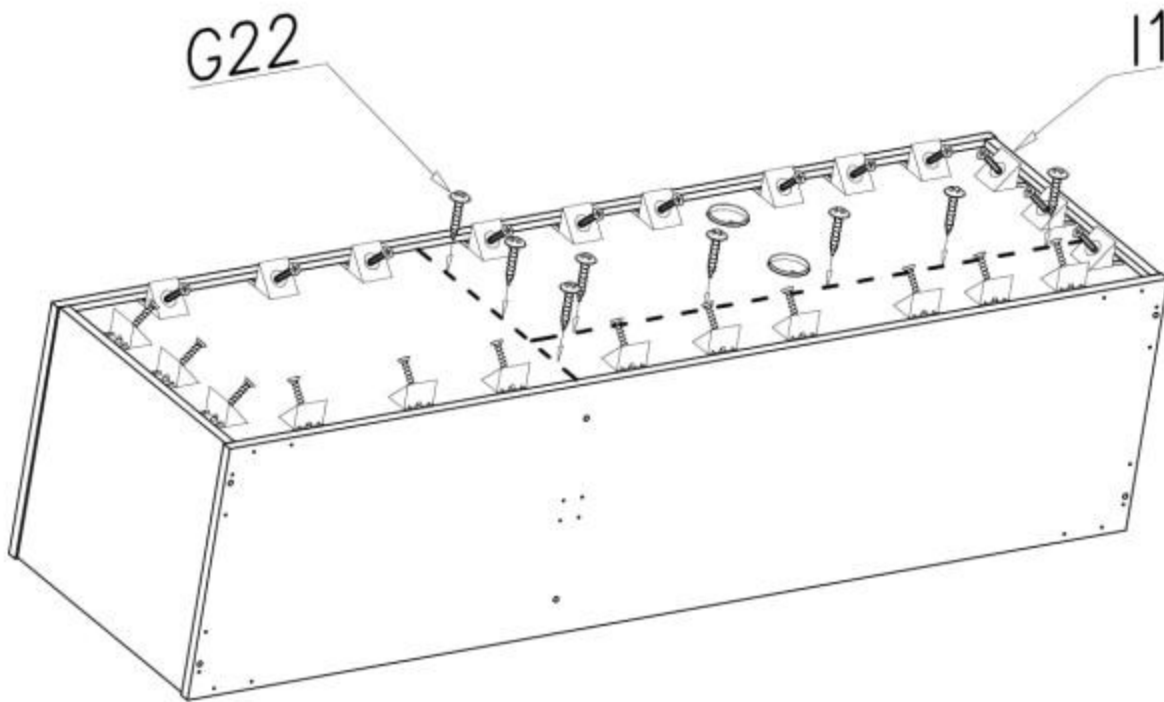
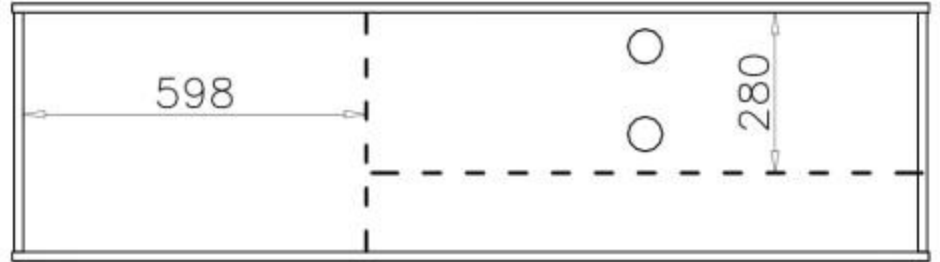
7



G22		I1	
3x16		8x	24x



A=B



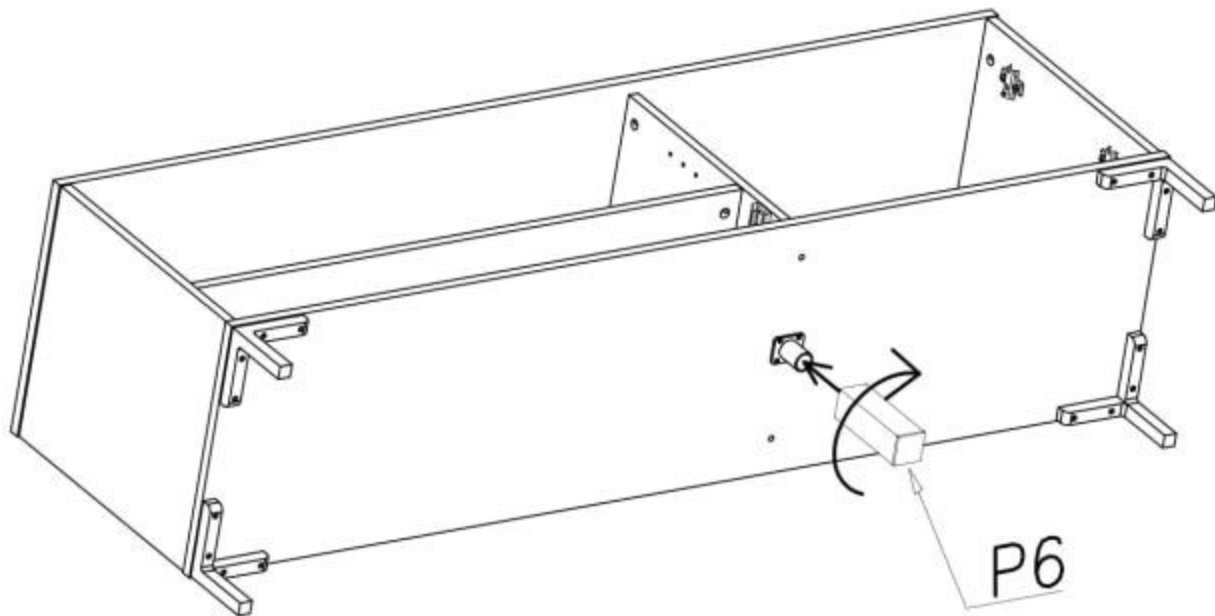
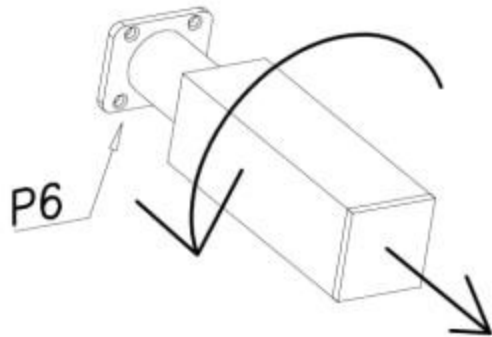
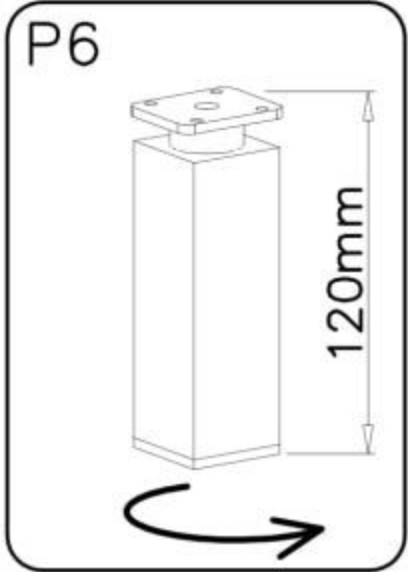
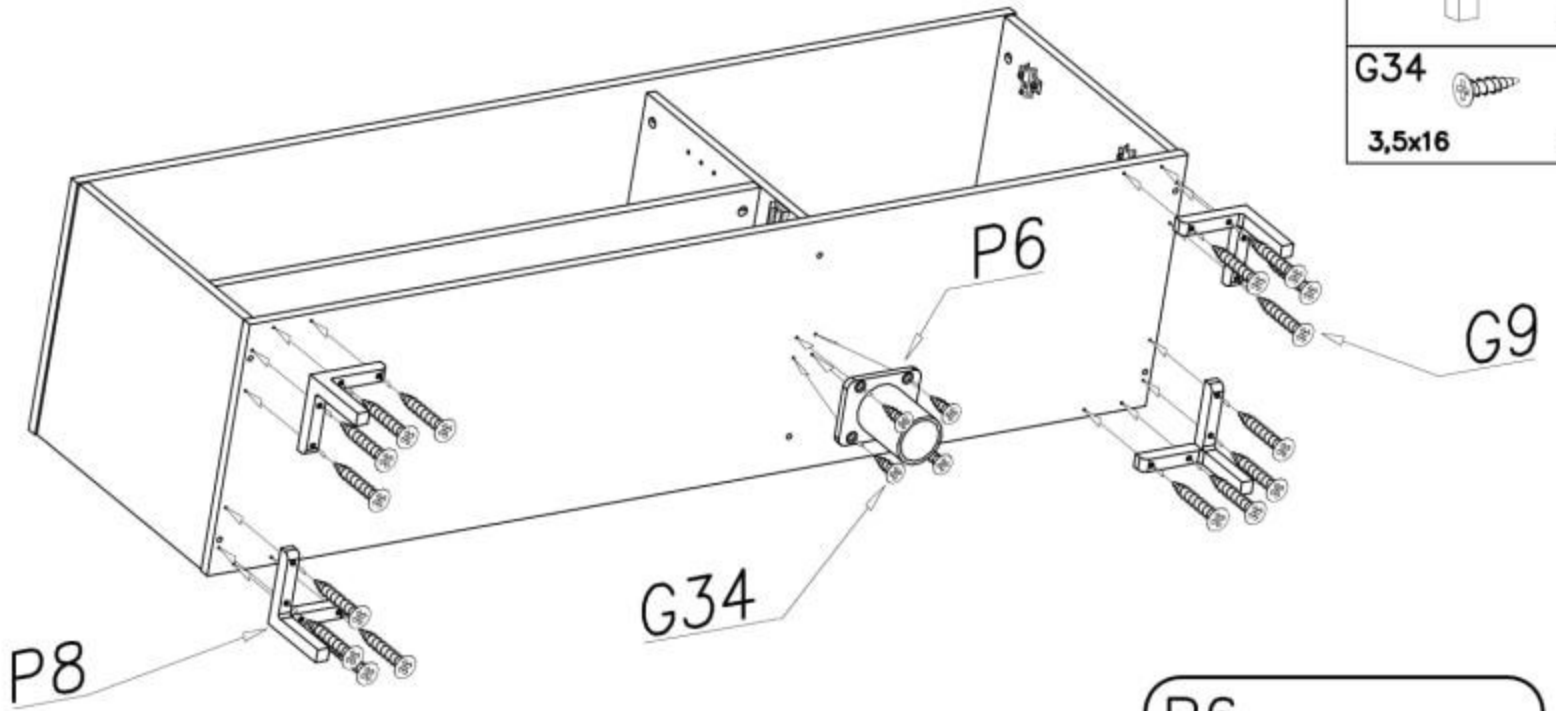
8

G9 4x35 16x

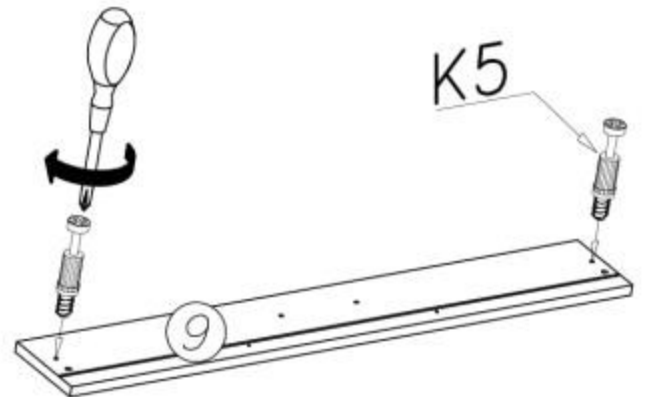
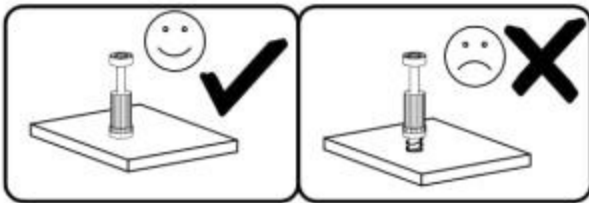
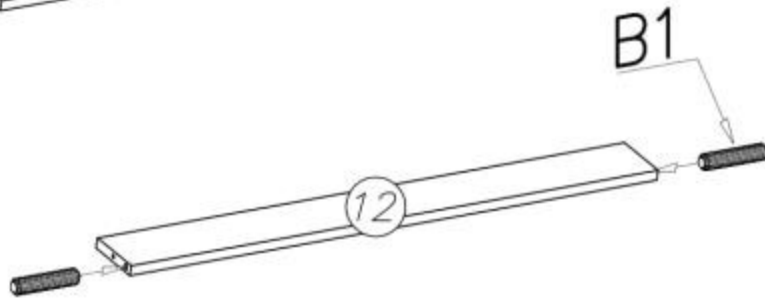
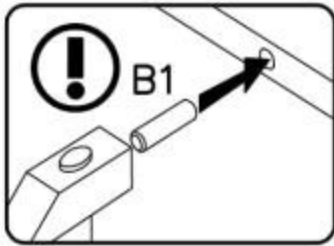
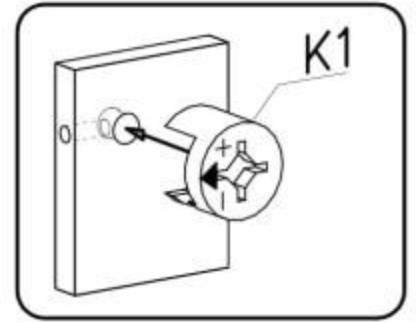
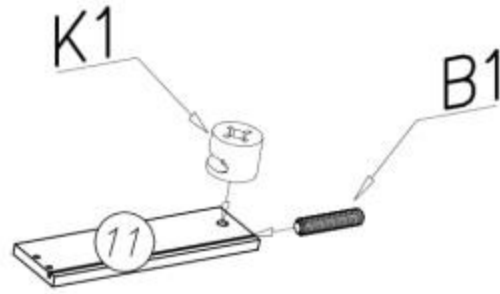
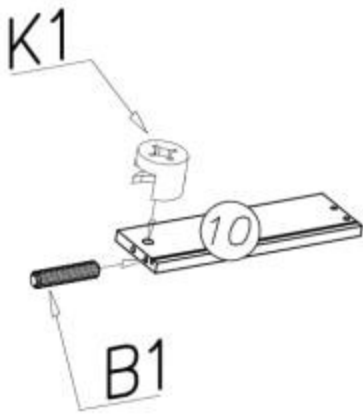
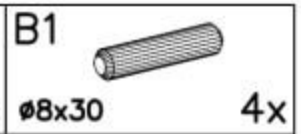
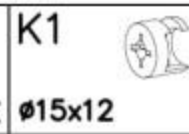
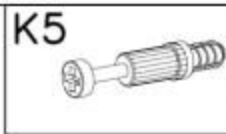
P6 1x

P8 4x

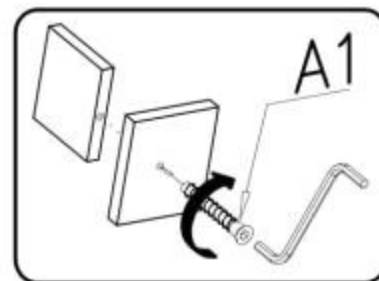
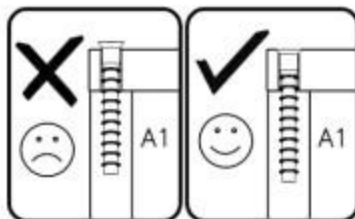
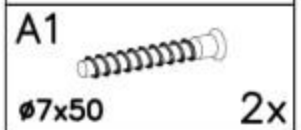
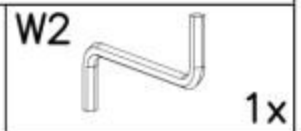
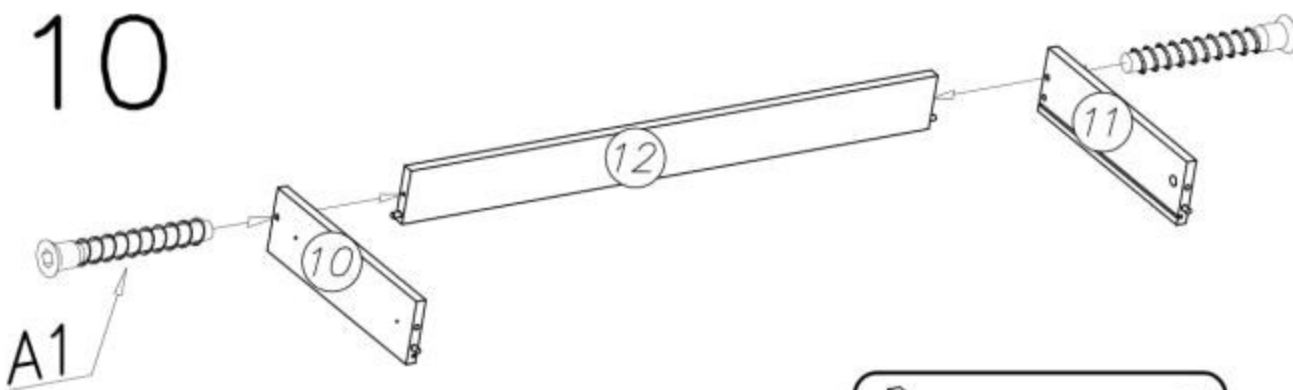
G34 3,5x16 4x



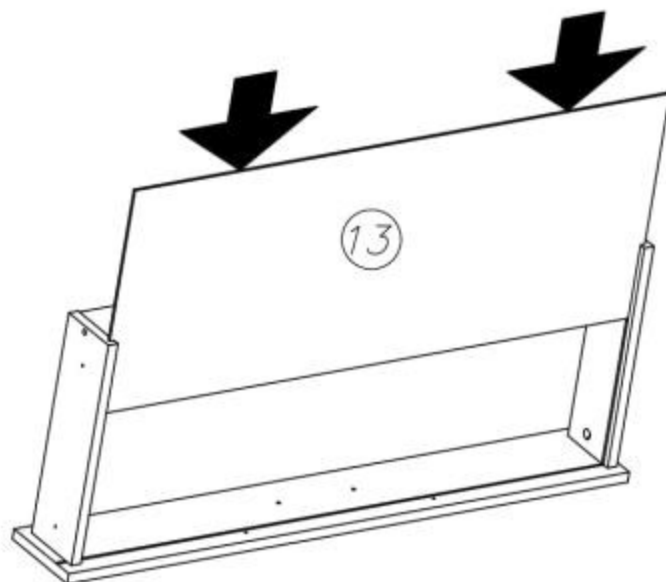
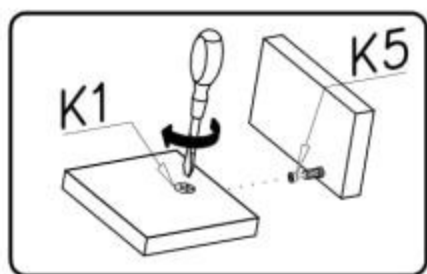
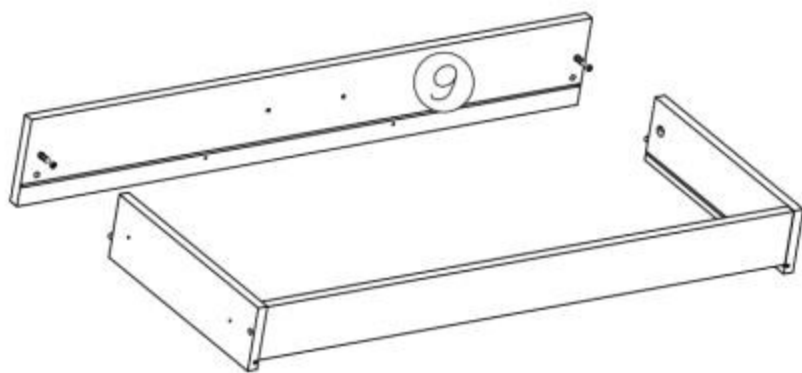
9




10



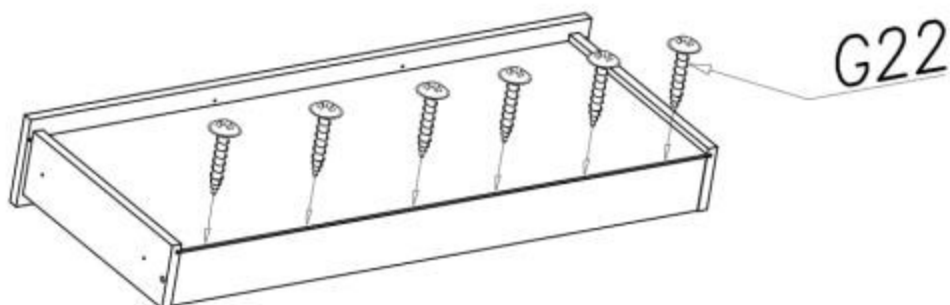
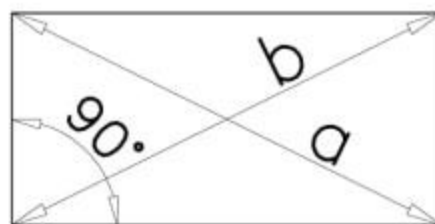
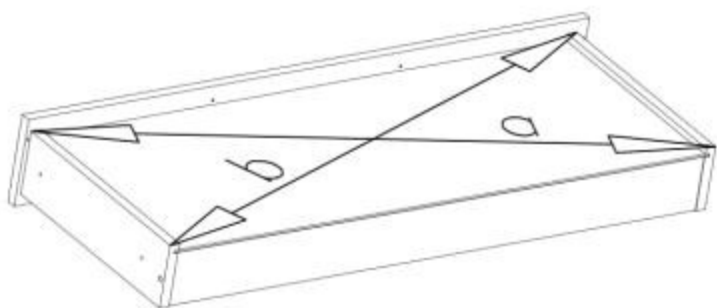
11



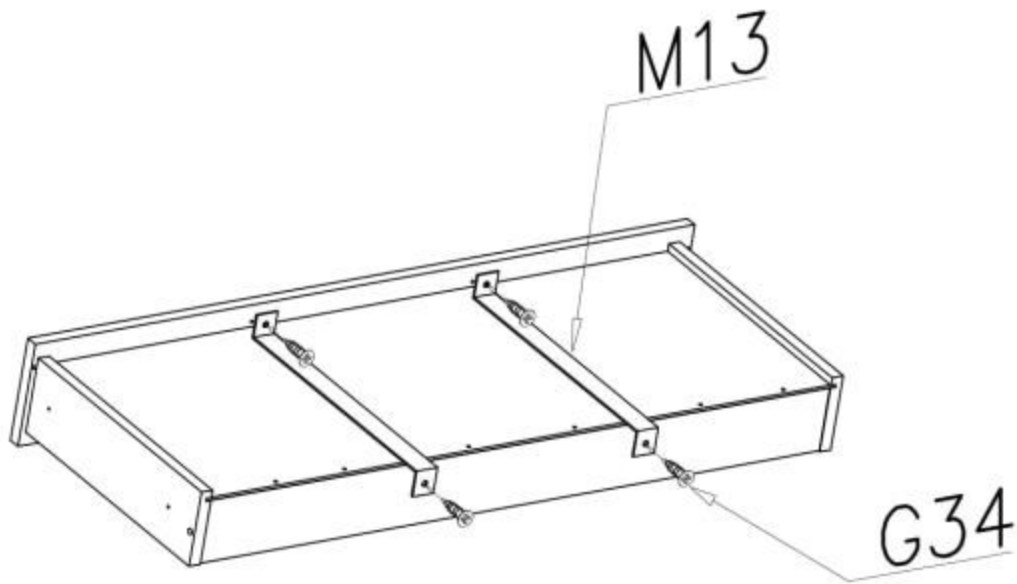
12

G22 
3x16 6x

$a=b$

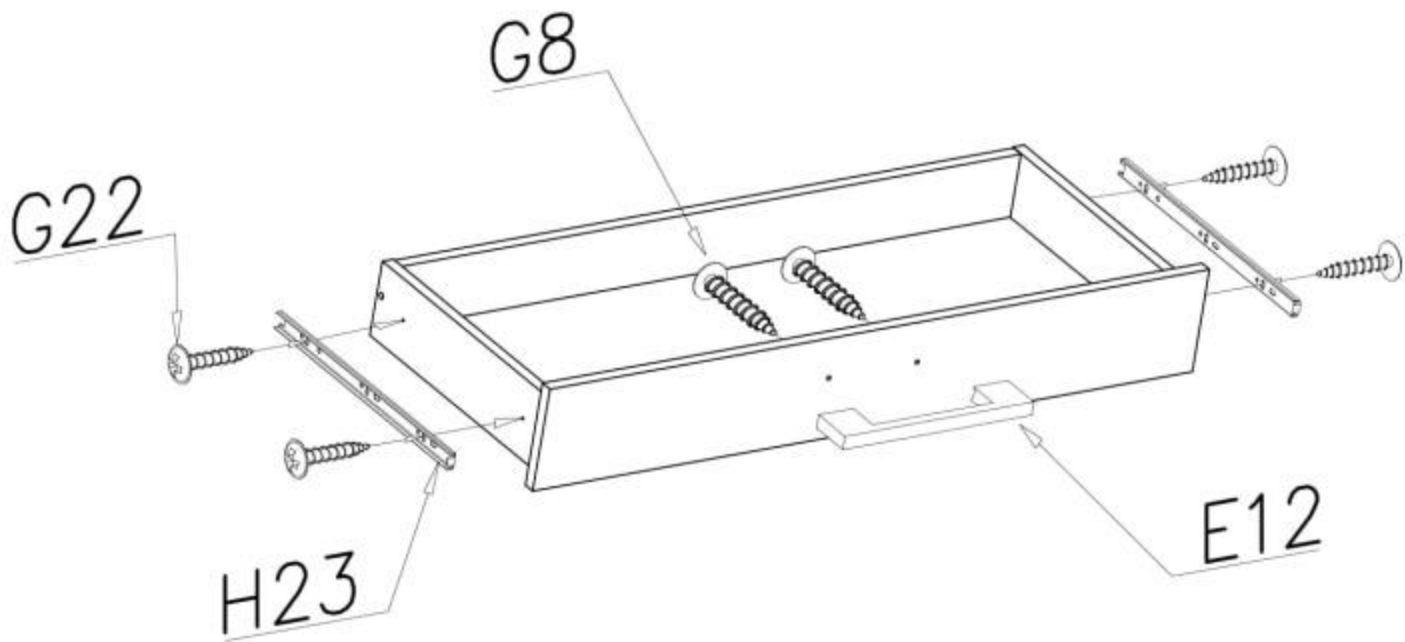


13



G34	
3,5x16	4x
M13	
L-350mm	2x

14

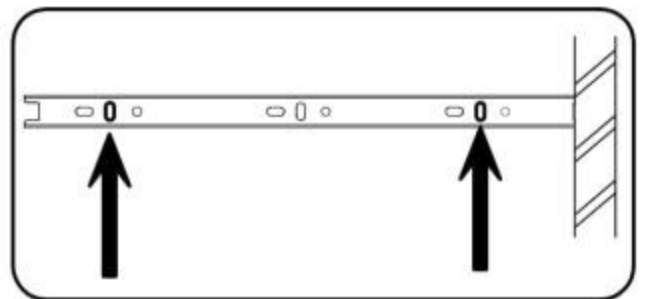


G8	
4x30	2x

G22	
3x16	4x

H23	
H30-350mm	1x

E12	
128mm	1x



15

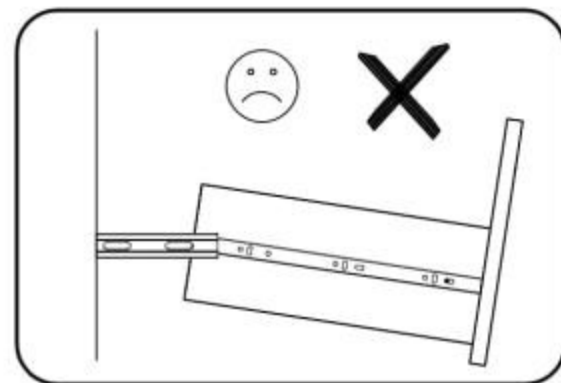
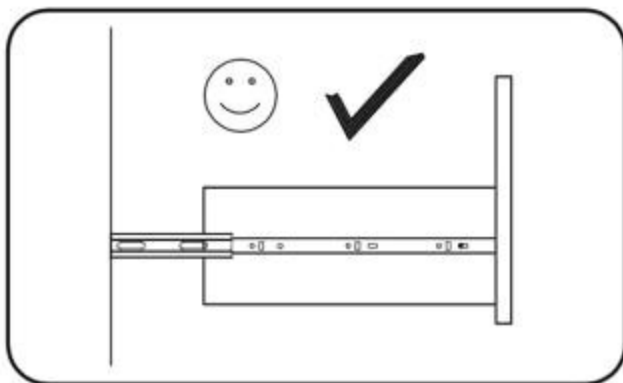
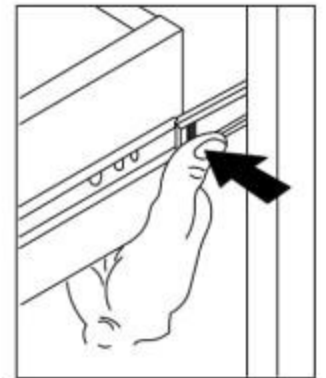
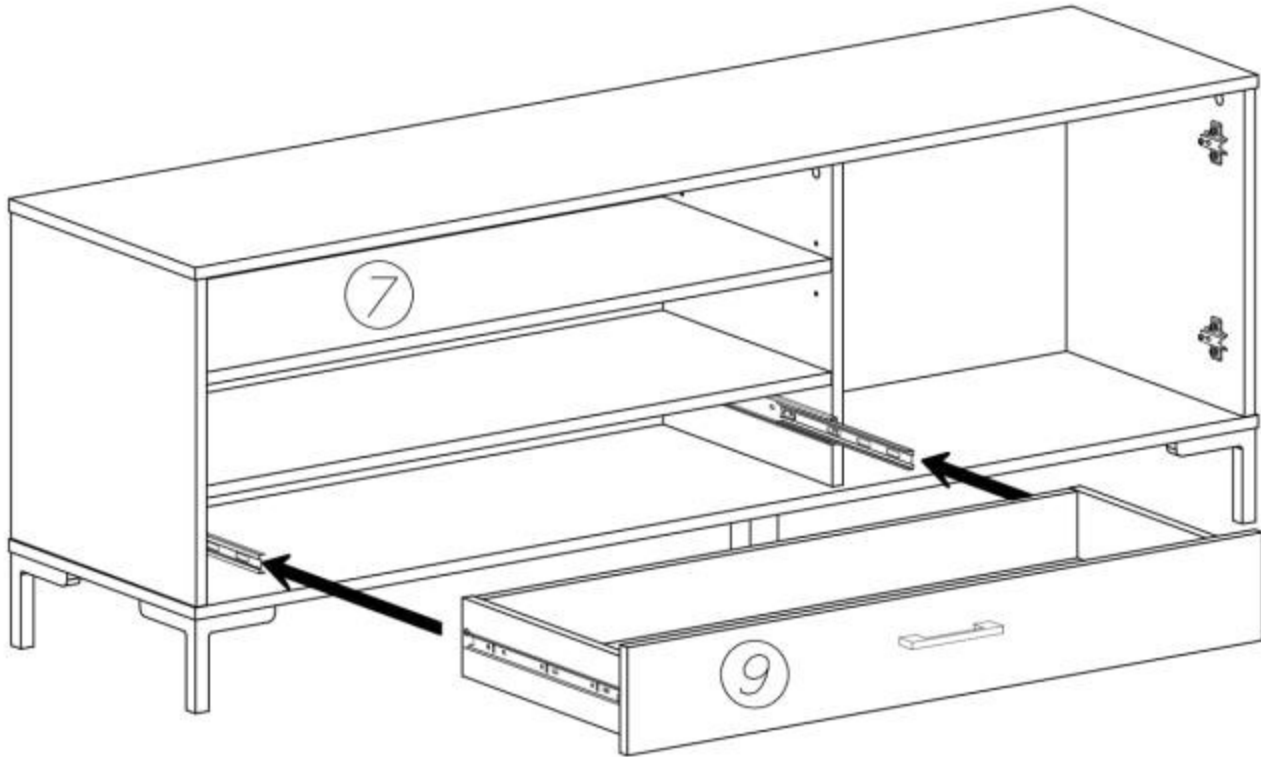
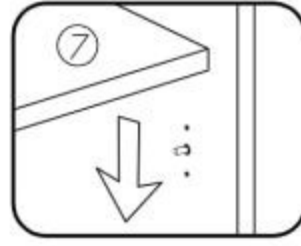
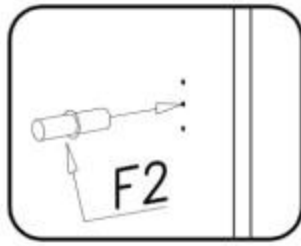
1

2

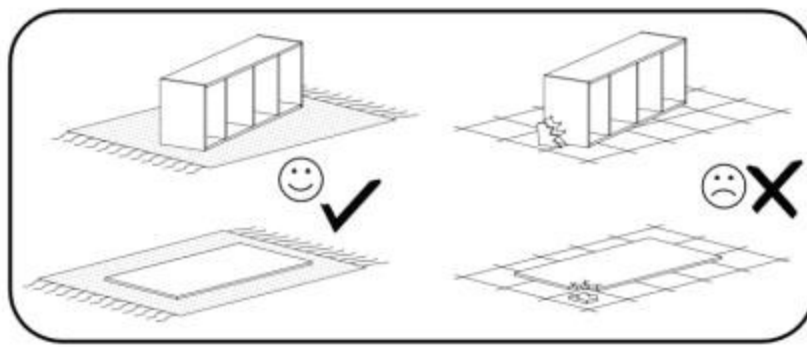
F2

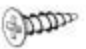
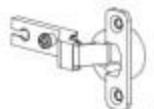


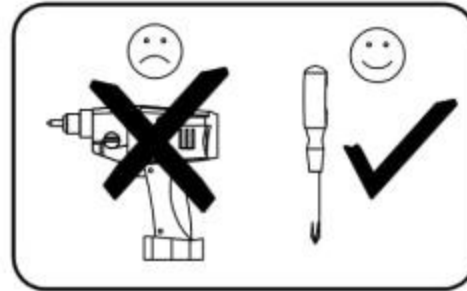
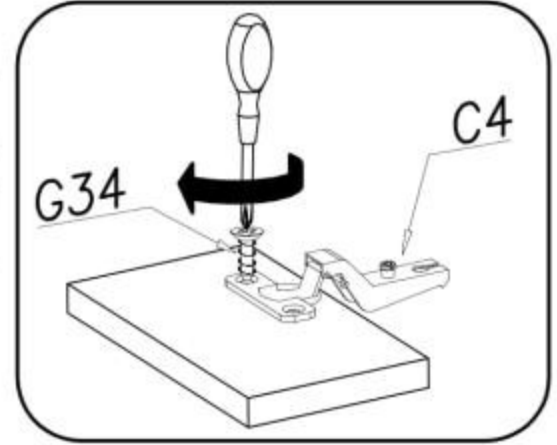
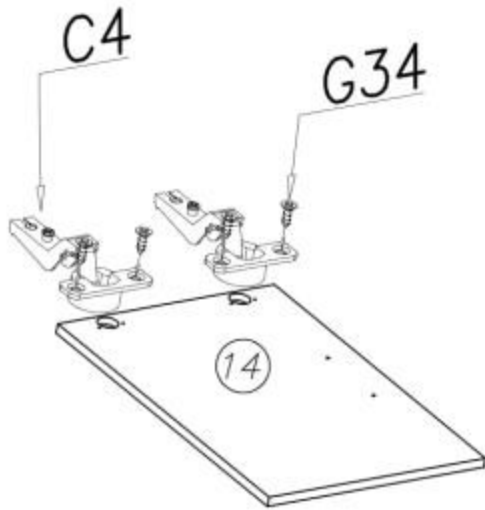
4x



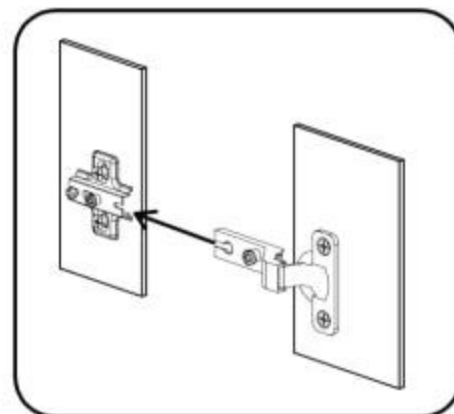
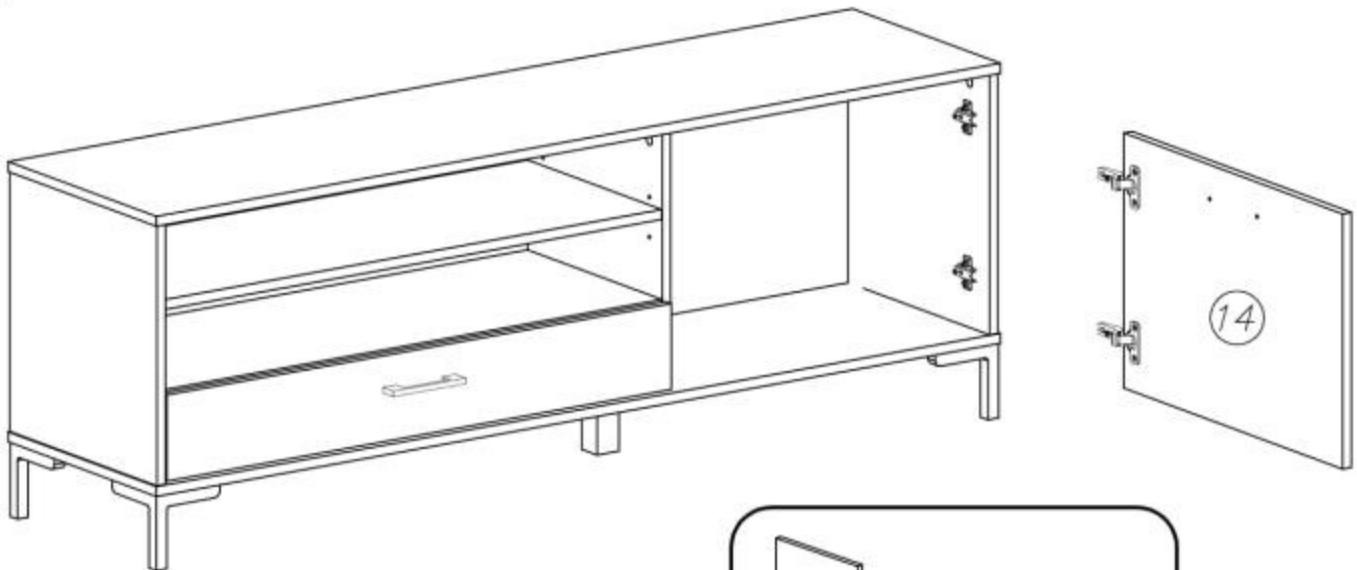
16



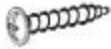


- G34  3,5x16 4x
- C4  2x



17



18

G8 4x30		2x	I7 ø18		12x
			E12 128mm		1x

