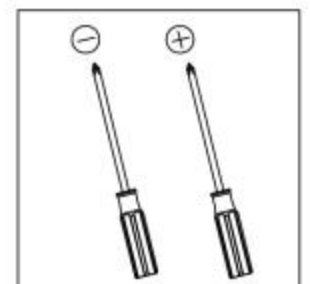
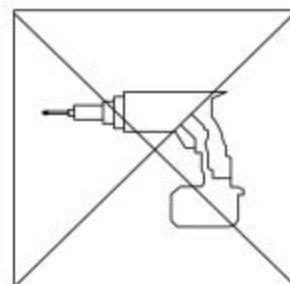
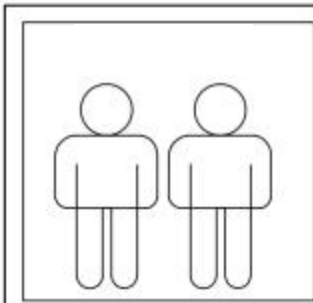
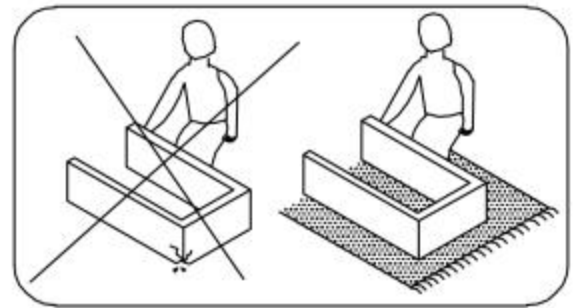
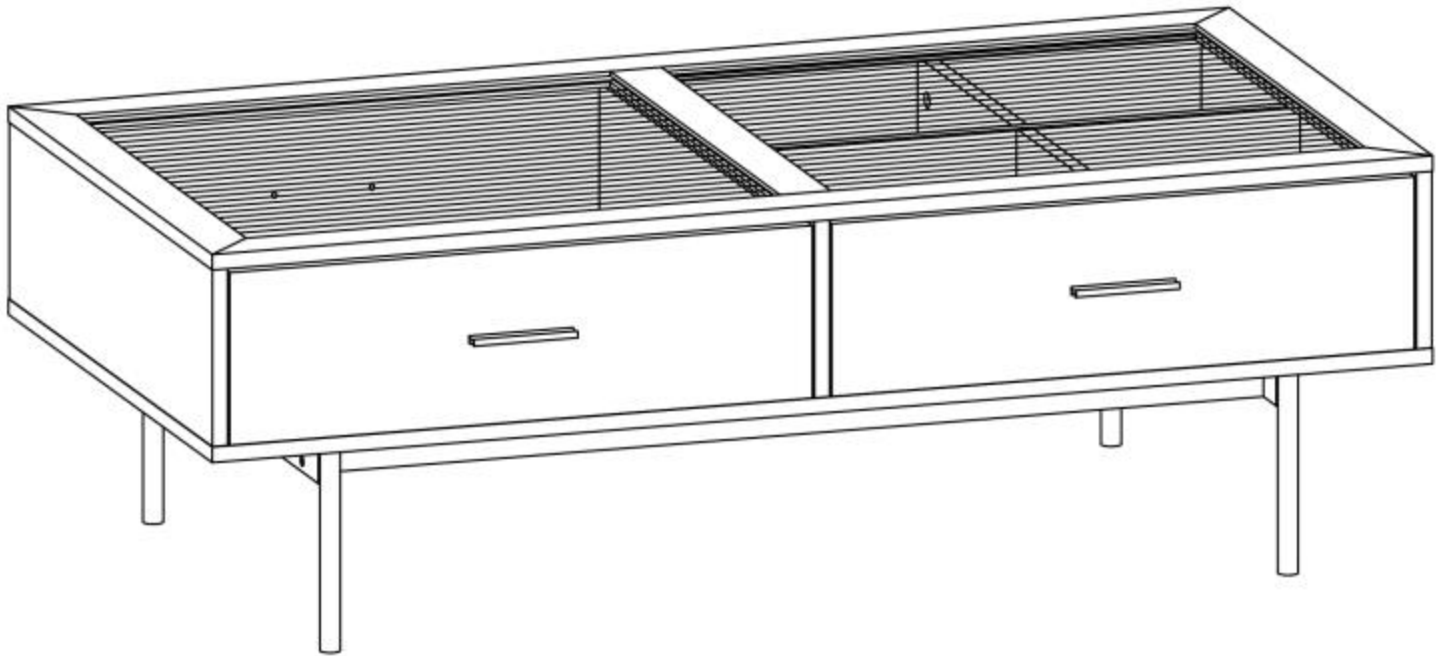
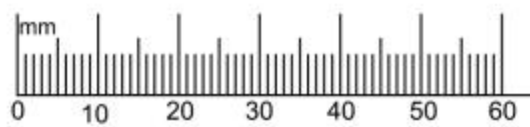
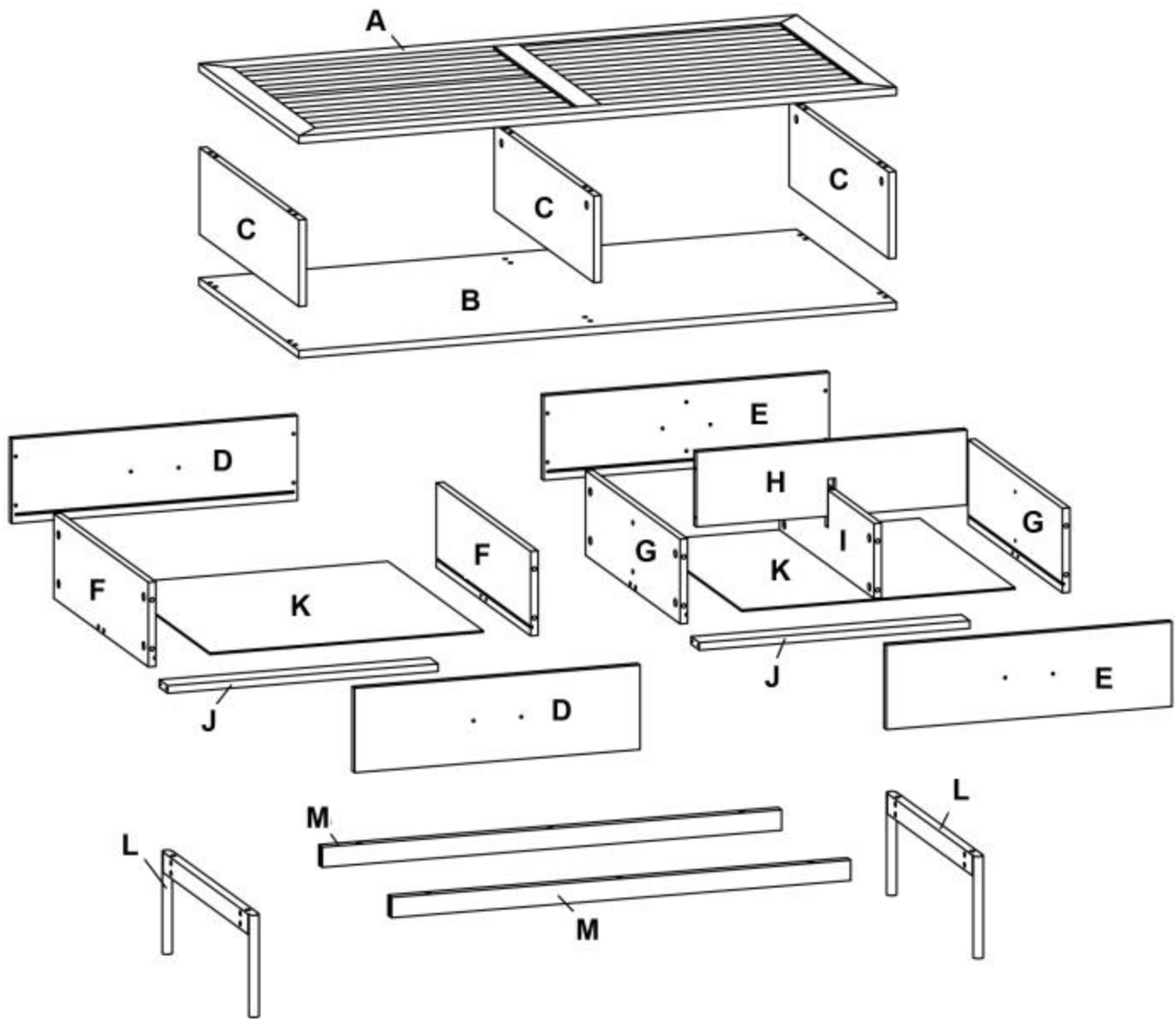



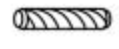


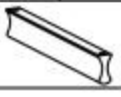



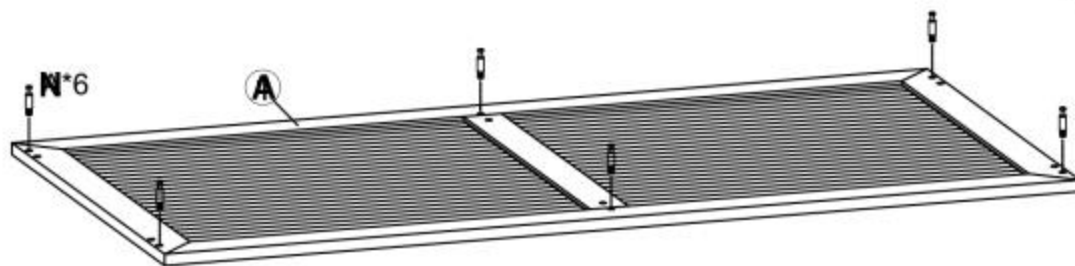
 max. 30 kg

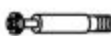




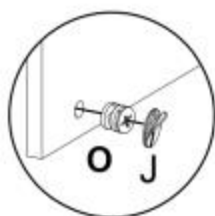
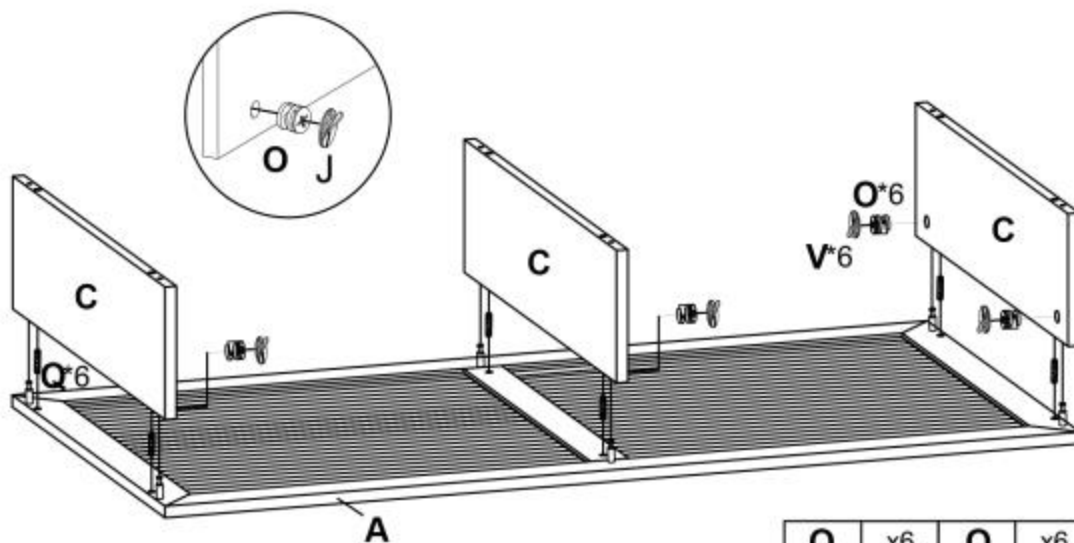
N x26  M6*35mm	O x26  φ15mm	P x6  M7*40mm	Q x12  φ8*30mm	R x12  φ4*35mm	S x18  M6*50mm	T x4 
U x8  M4*18mm	V x26  φ20	W x1  M4				




1



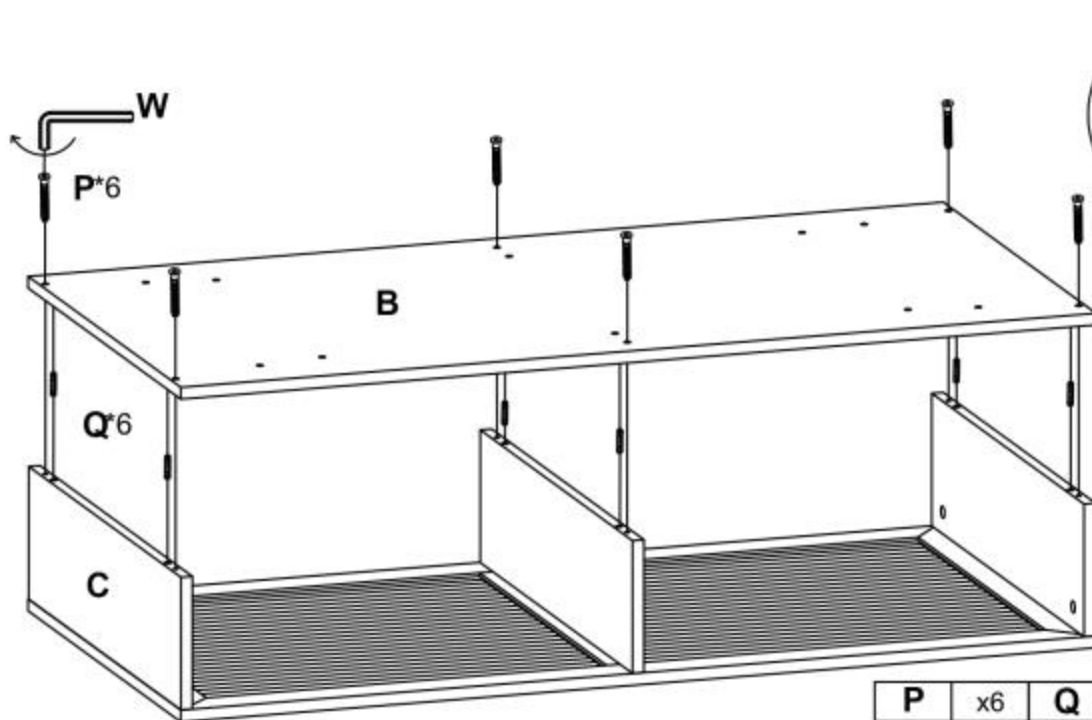
N	x6
	
M6*35mm	

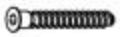


2



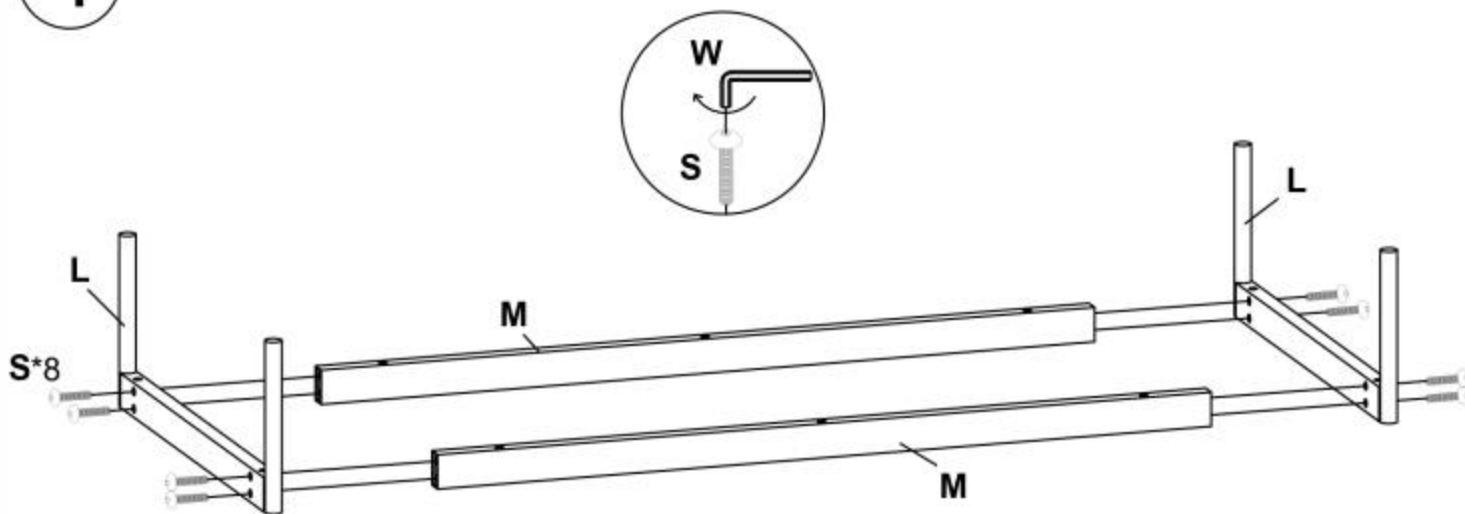
O	x6	Q	x6	V	x6
					
φ15mm		φ8*30mm		φ20	

3



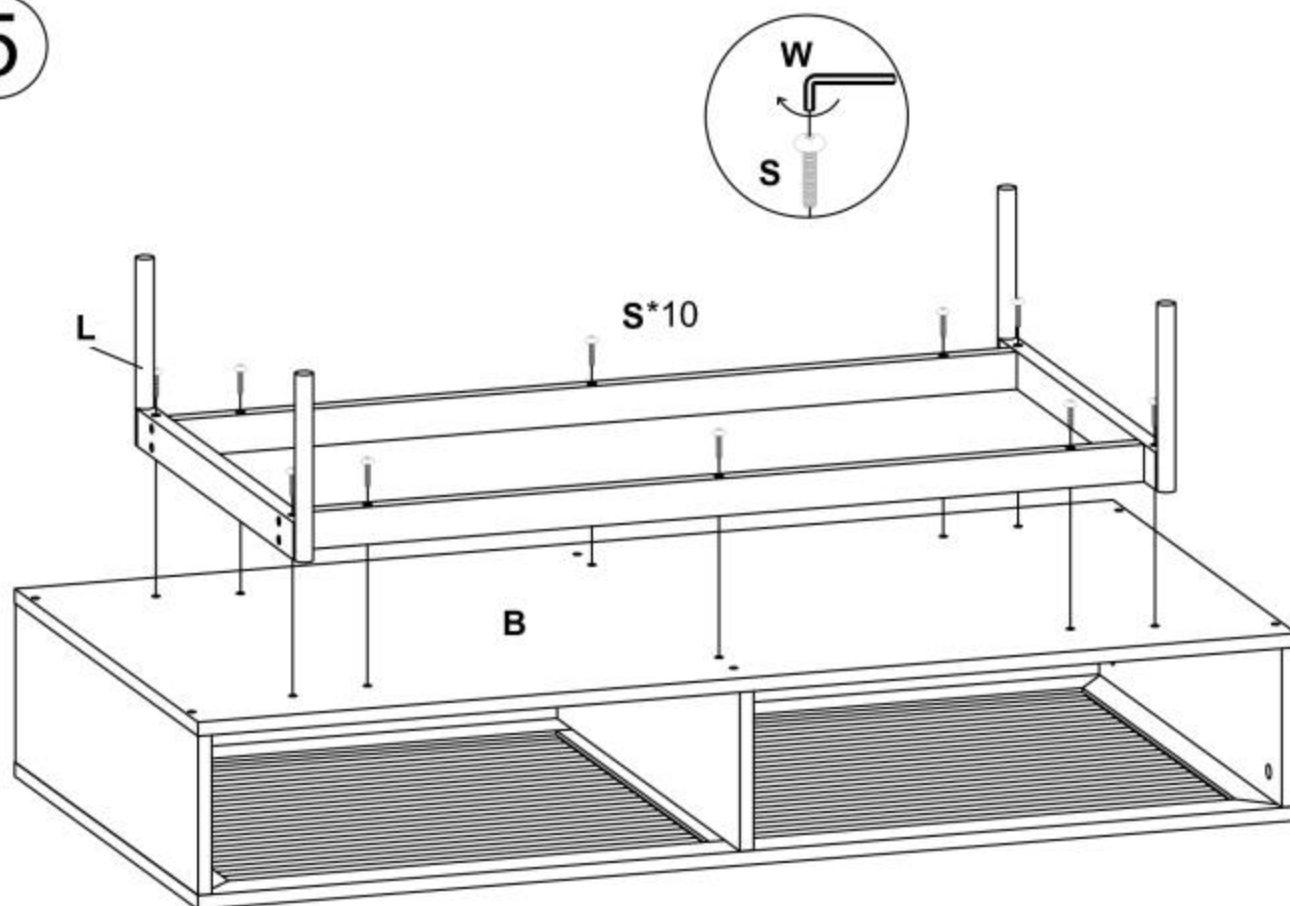
P	x6	Q	x6	W	x1
					
M7*40mm		φ8*30mm		M4	

4



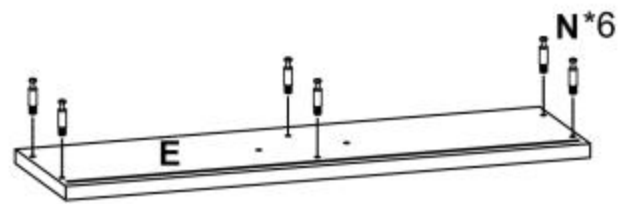
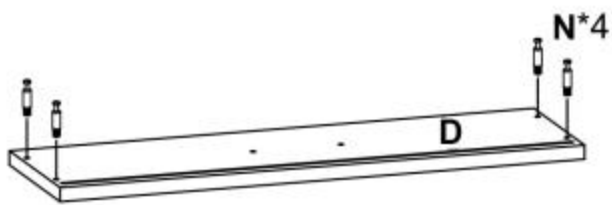
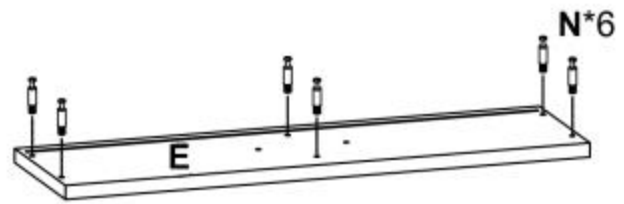
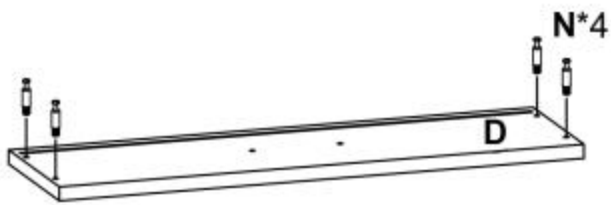
S	x8	W	x1
			
M6*50mm		M4	

5



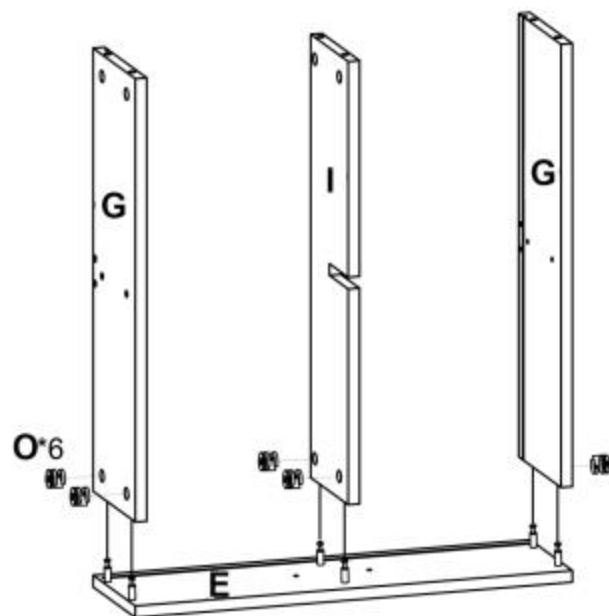
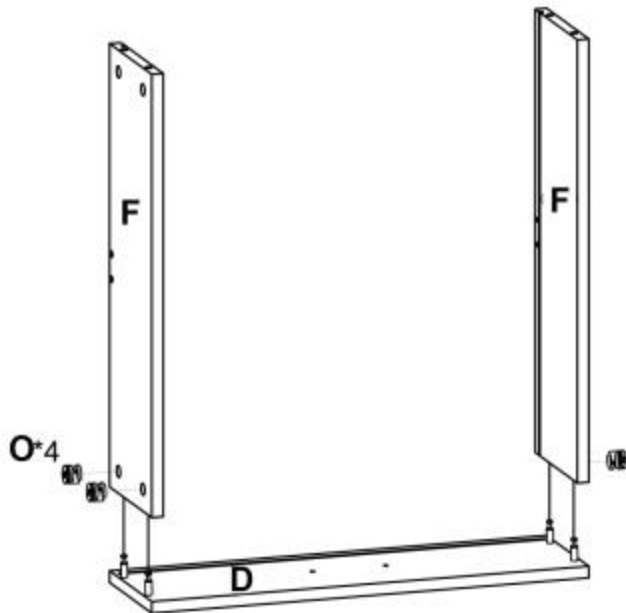
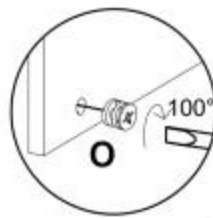
S	x10	W	x1
			
M6*50mm		M4	

6



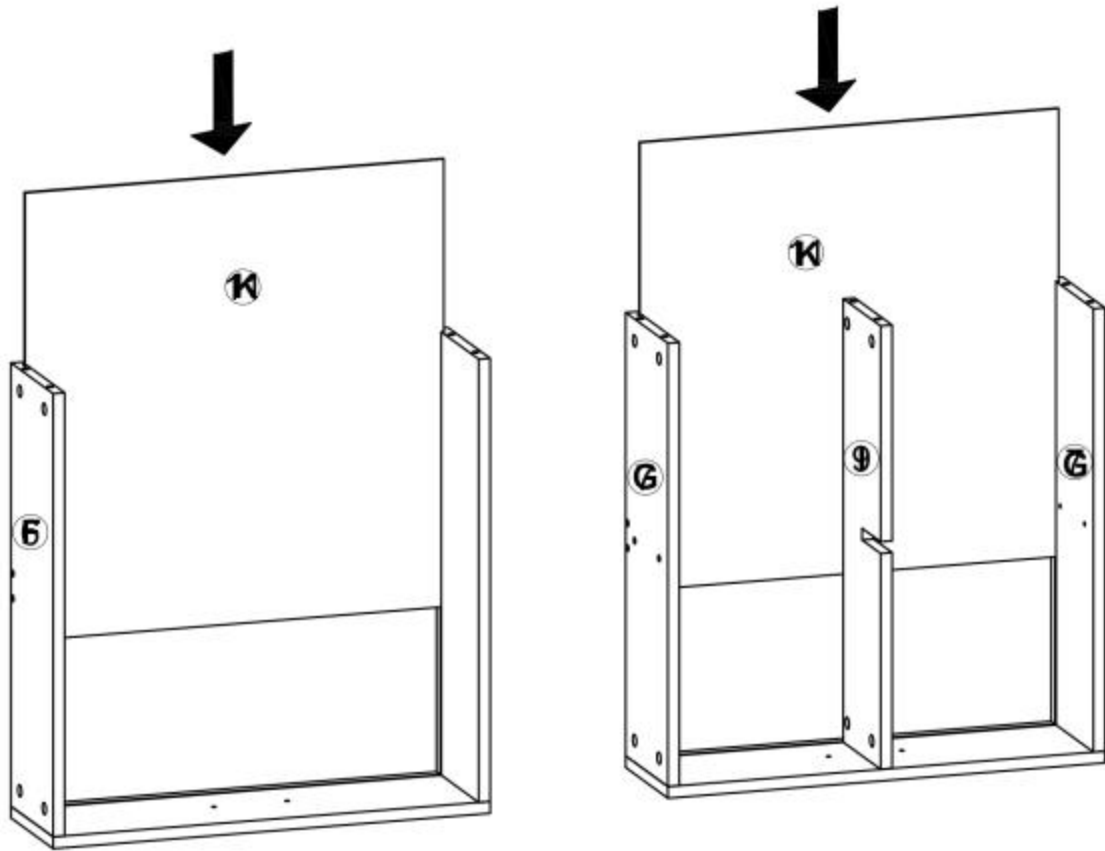
N	x20
M6*35mm	

7

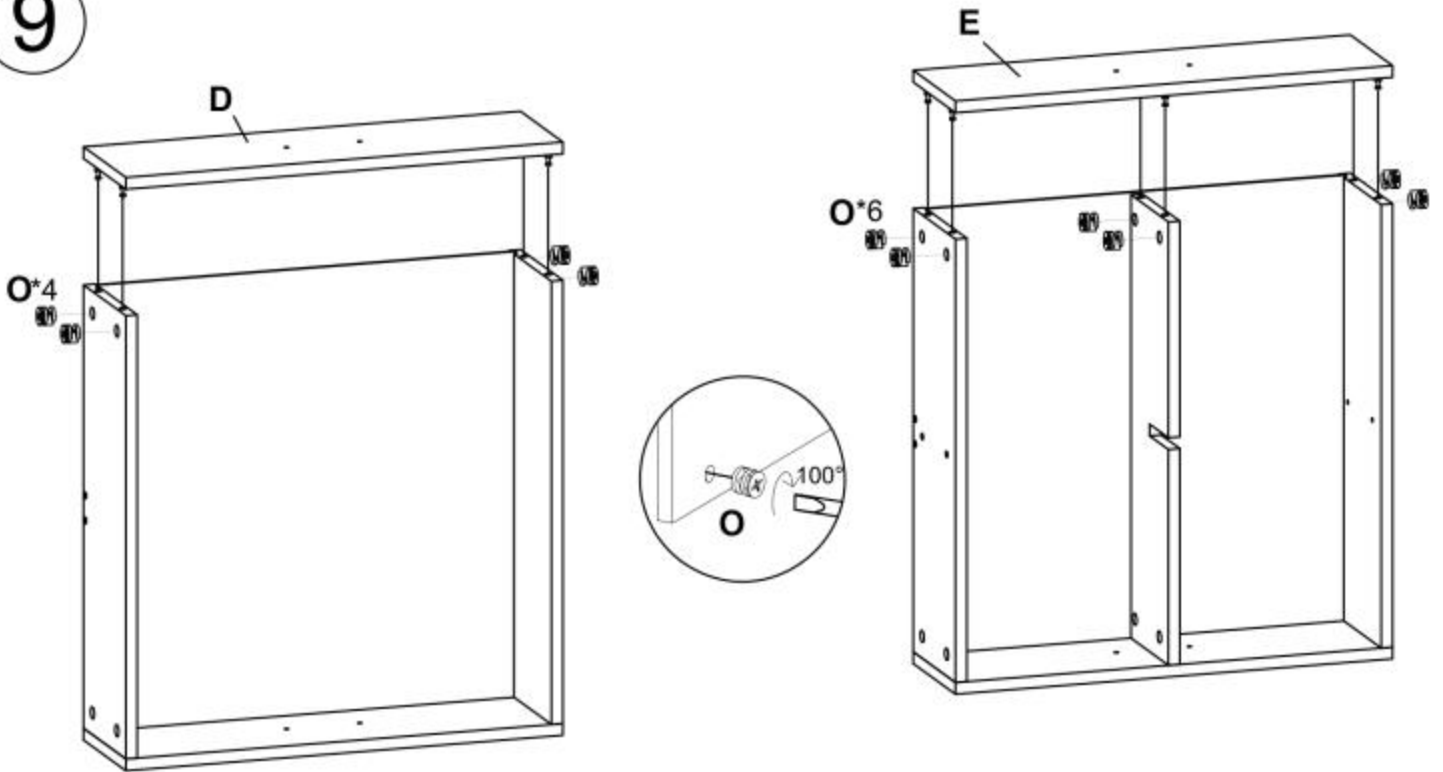



O	x10
φ15mm	

8

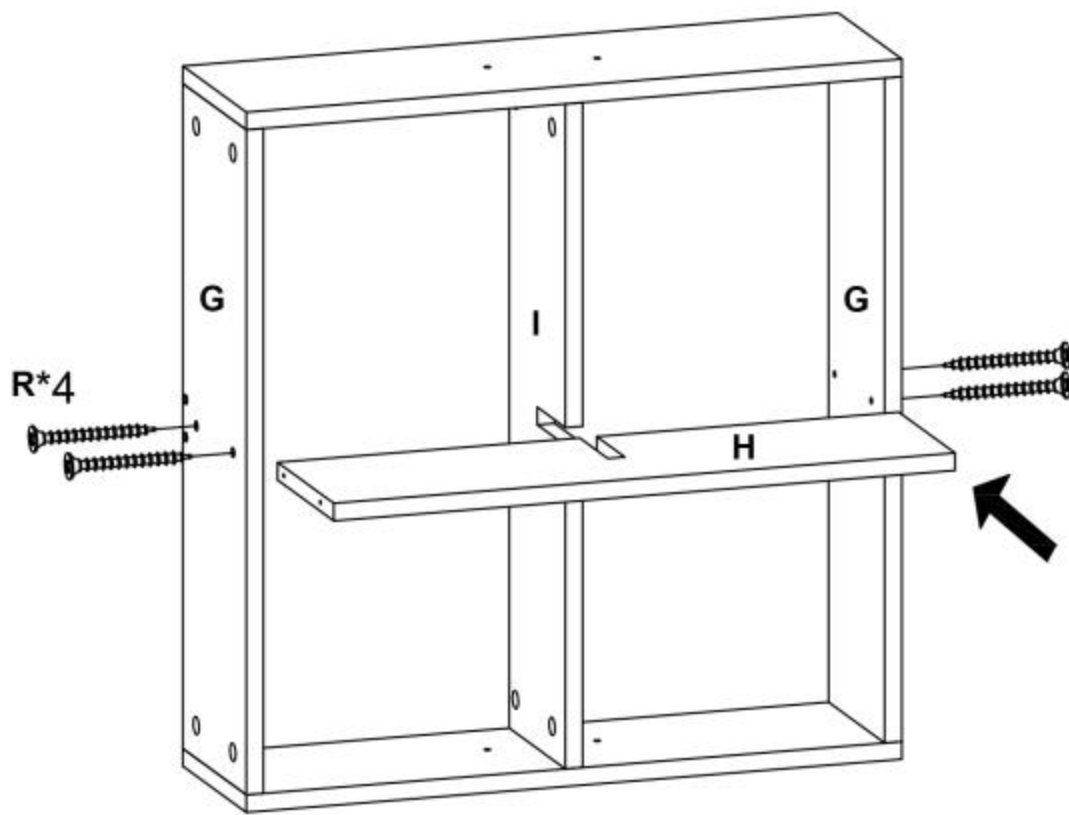


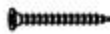
9



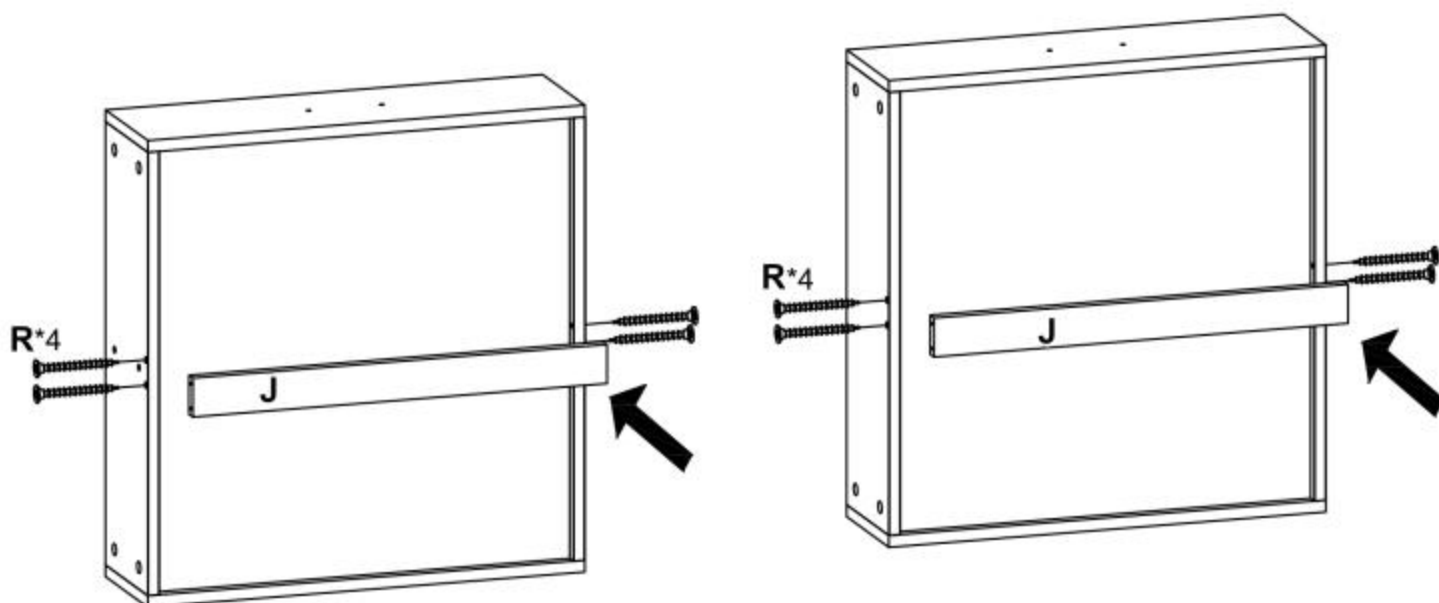
O	x10
	
$\phi 15\text{mm}$	

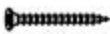
10



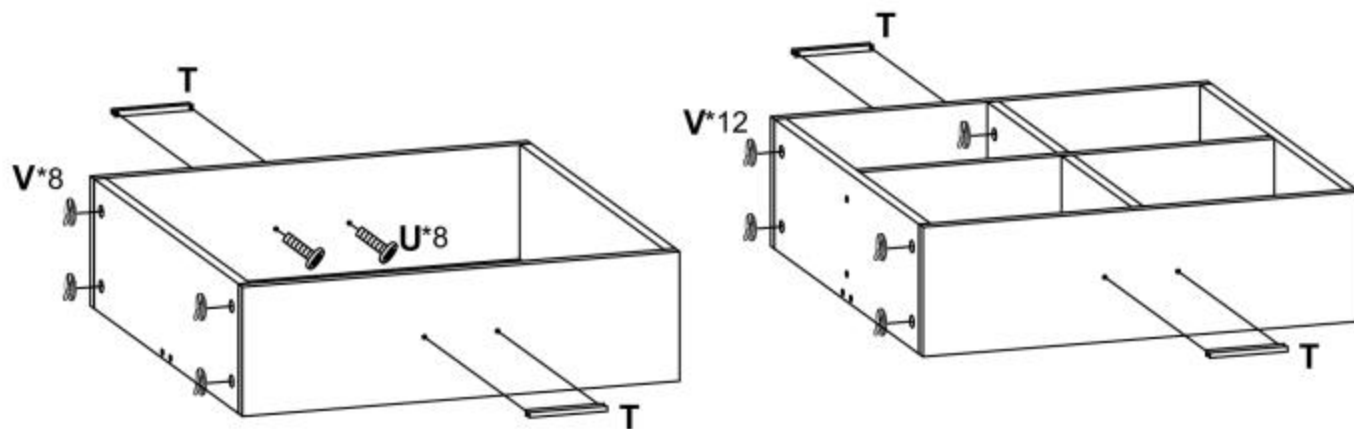
R	x4
	
ø4*35mm	


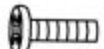

11



R	x8
	
ø4*35mm	

12



T	x4	U	x8	V	x20
					
		M4*18mm		φ20	

13

