













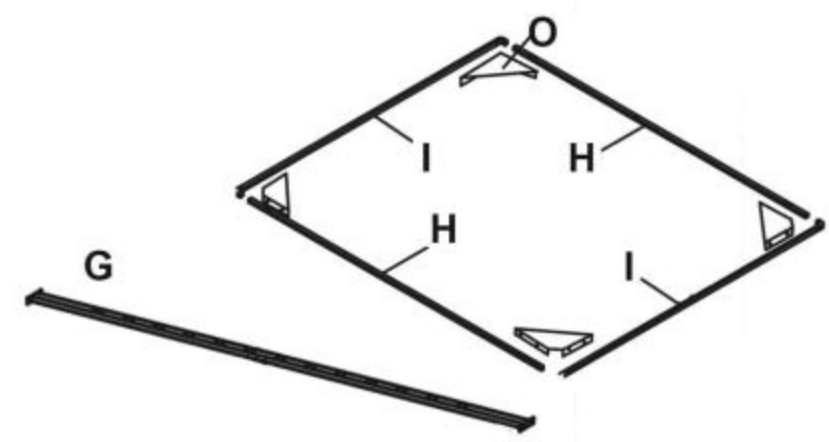
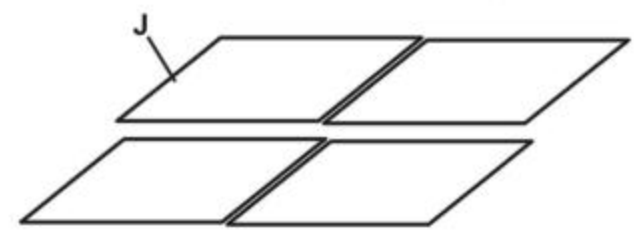
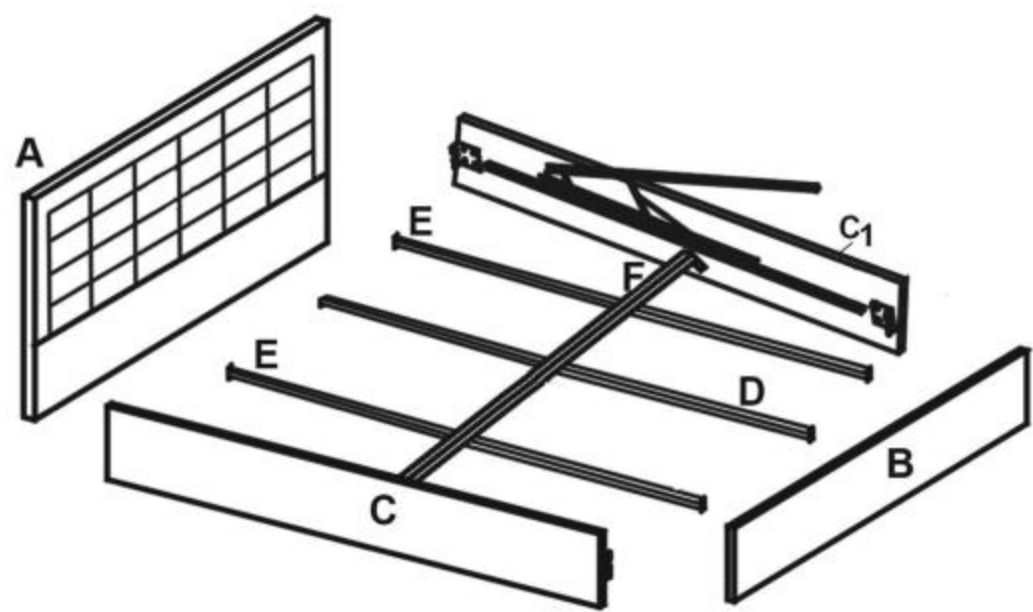


160

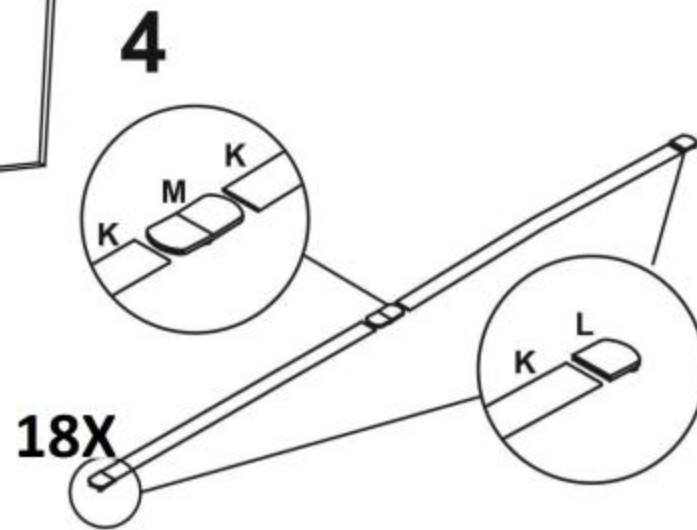
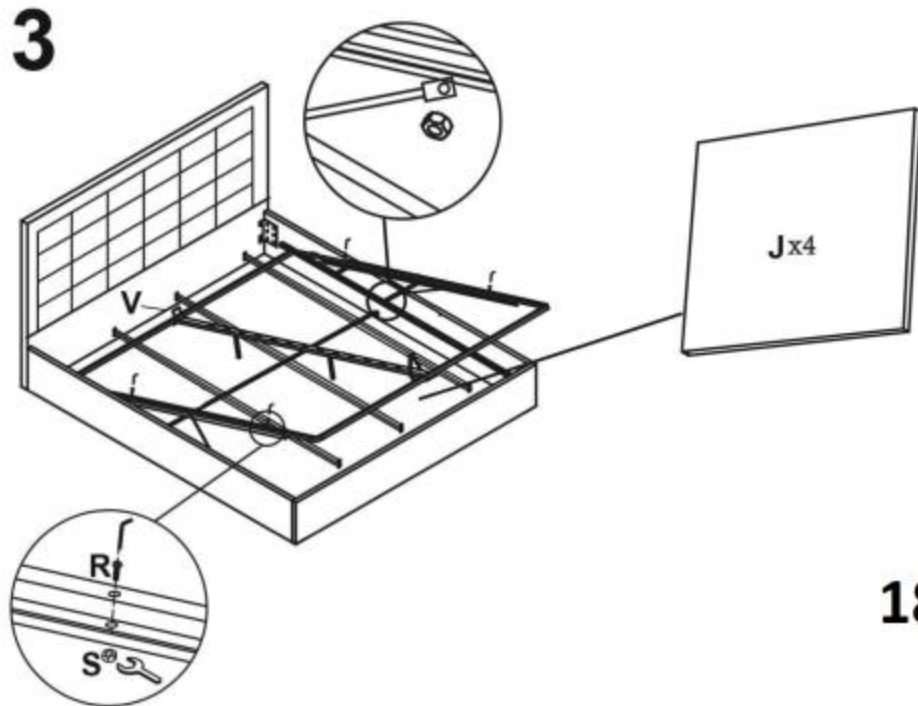
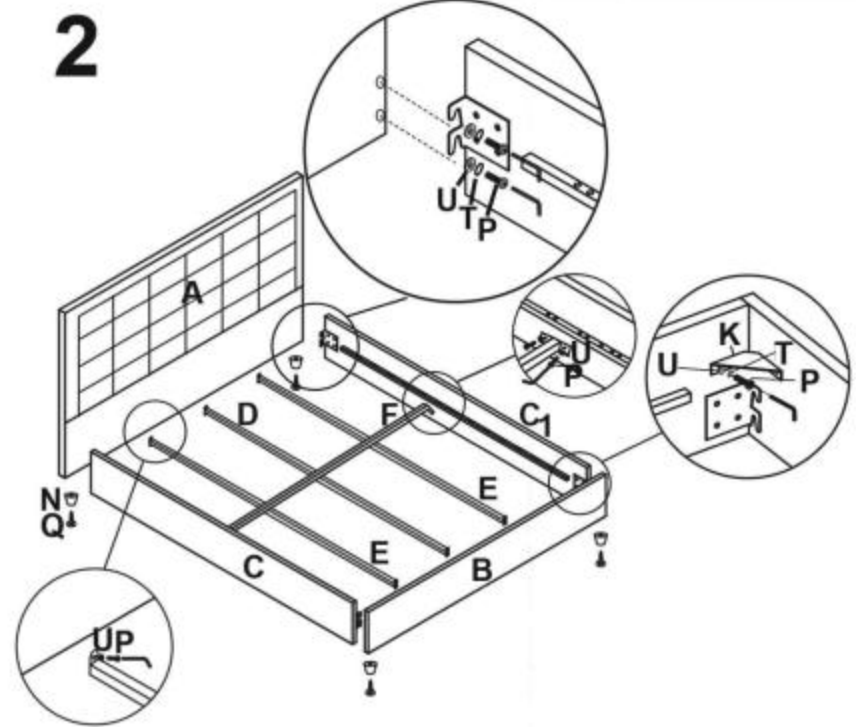
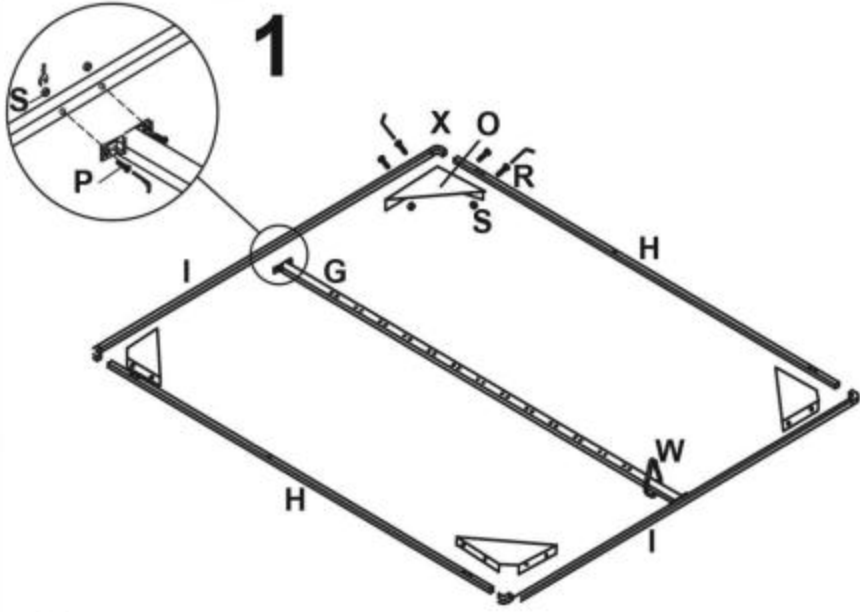
K _{X36} 	L _{X36} 	M _{X18} 	N _{X4} 	O _{X6} 	P _{X26} M8x30mm 	Q _{X4} M4x25mm 	R _{X24} M8x40mm 	S _{X24} M8 	T _{X8} 	U _{X26} 	V _{X1} 
--	--	--	---	---	---	--	---	--	---	--	---

W _{X1} 	X _{X4} 
---	---



v.2

160



v.2