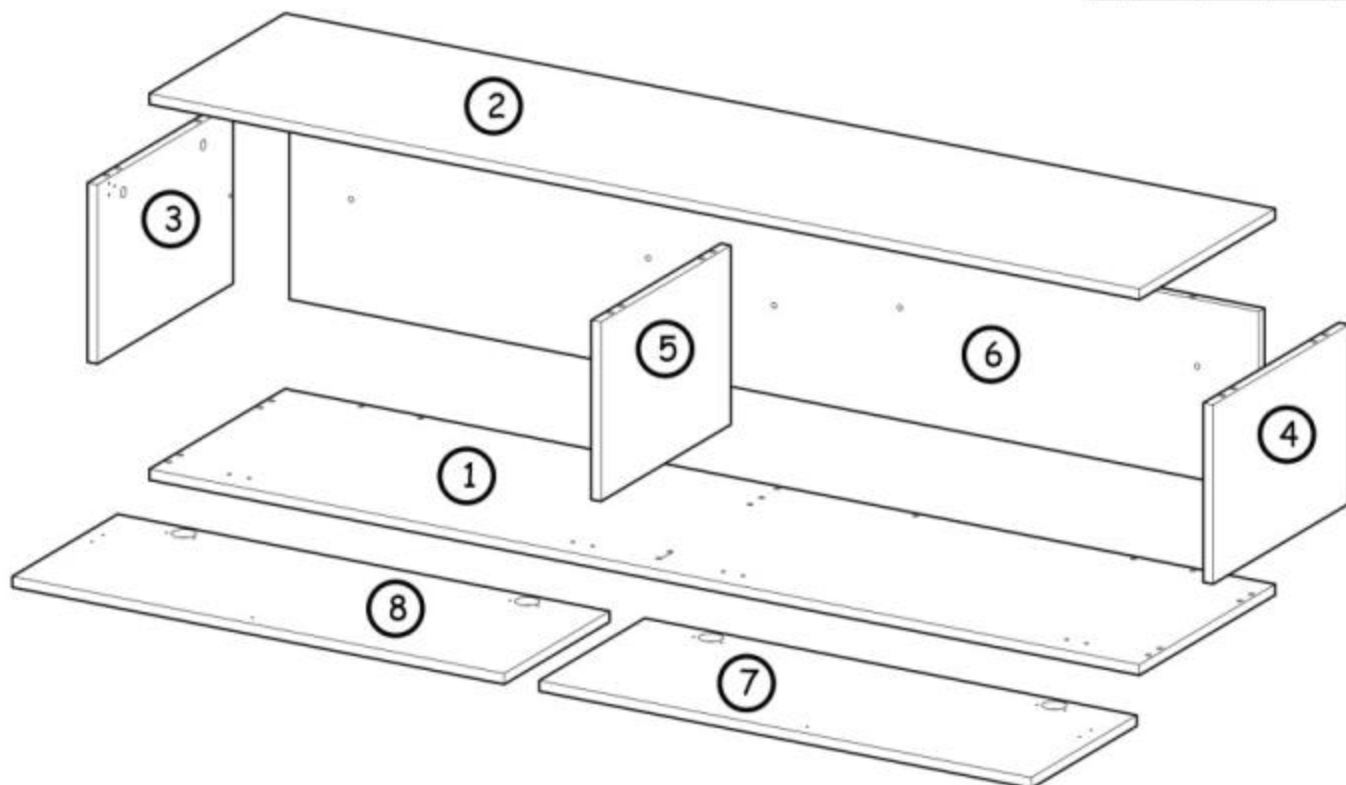














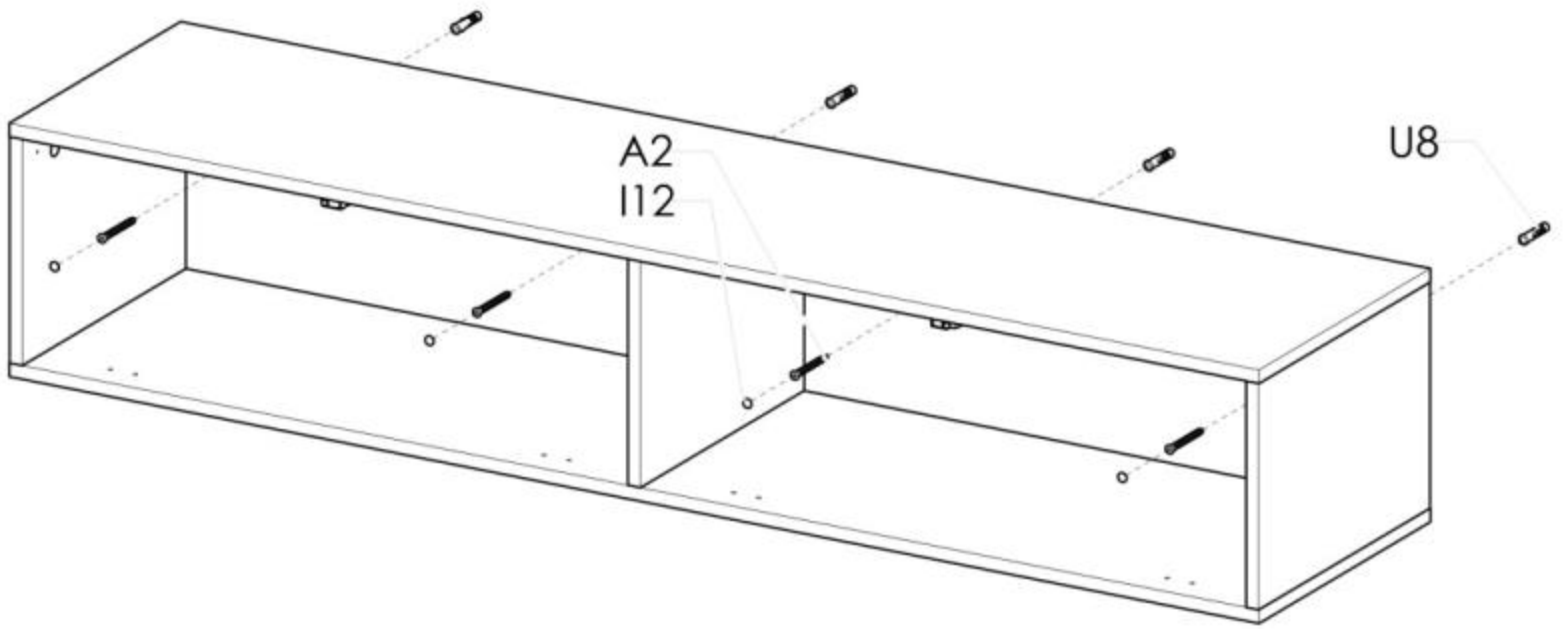


Nr	Xmm	Ymm	Zmm	Szt.
1	1600	380	16	1
2	1600	380	16	1
3	267	380	16	1
4	267	380	16	1
5	267	363	16	1
6	1567	267	16	1
7	795	295	16	1
8	795	295	16	1

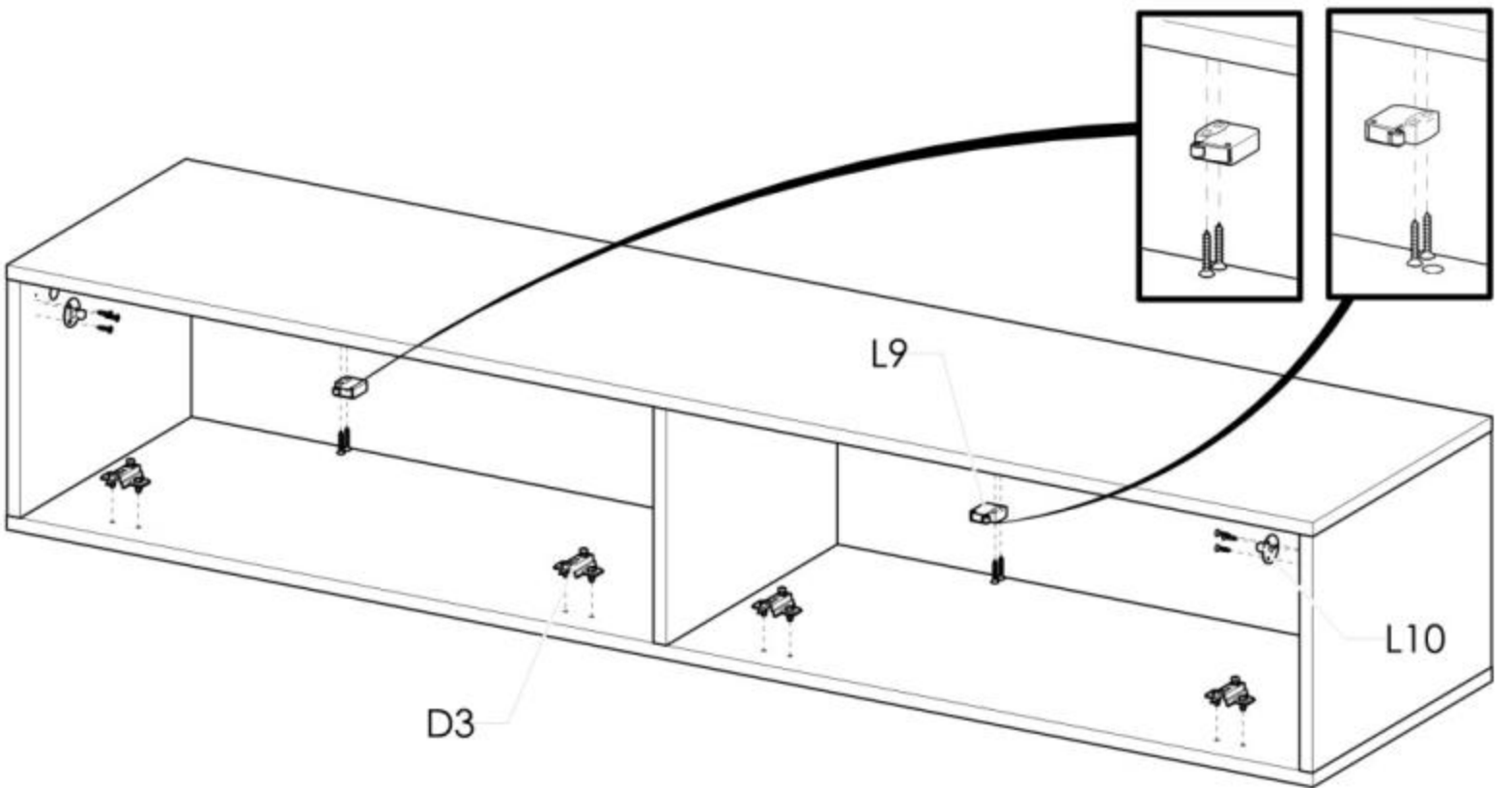


I12  14 x ø4/ø10	A1  11 x ø7x50	W2  1 x 4mm	U8  4 x ø10x50	A2  4 x ø7x70	K1  12 x ø15x12
K5  12 x 34mm	B1  18 x ø8x35	L9  2 x	L10  2 x	G34  8 x 3,5x16	I20  6 x ø4/ø17
D3  4 x KLIK	C3  4 x KLIK				

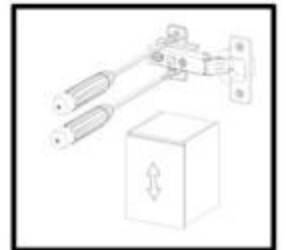
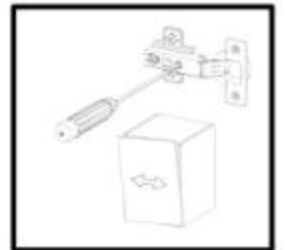
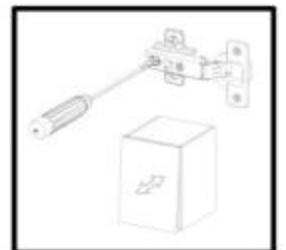
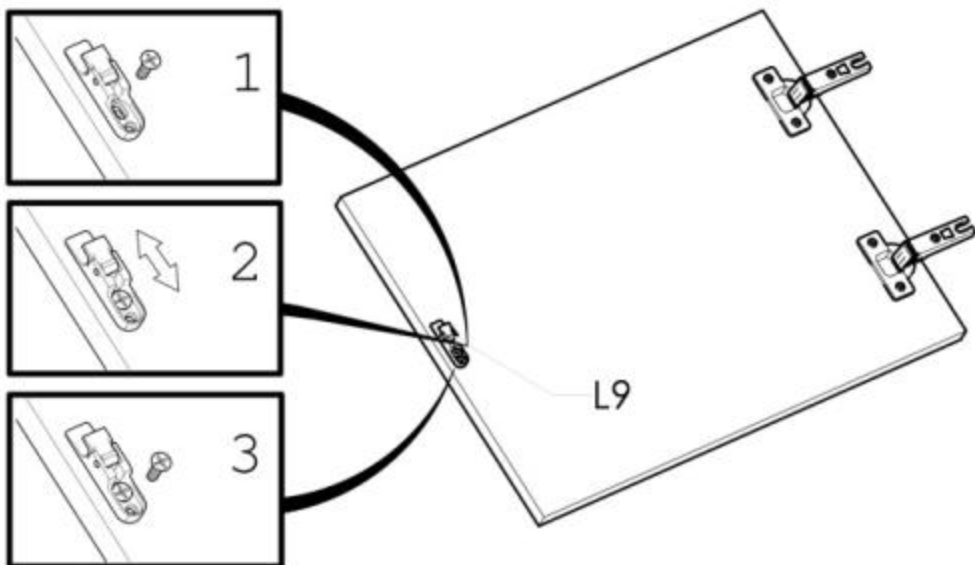
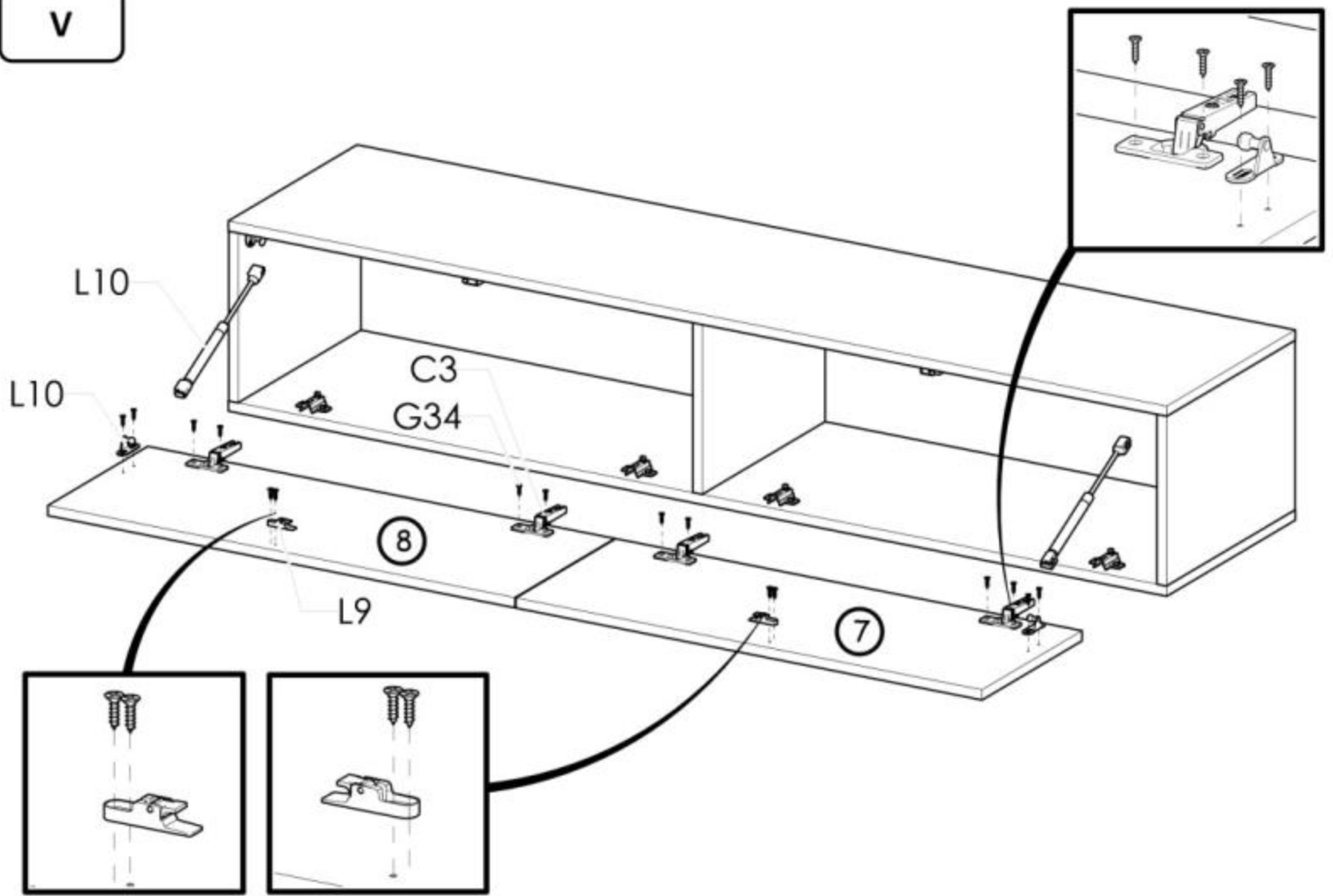
III



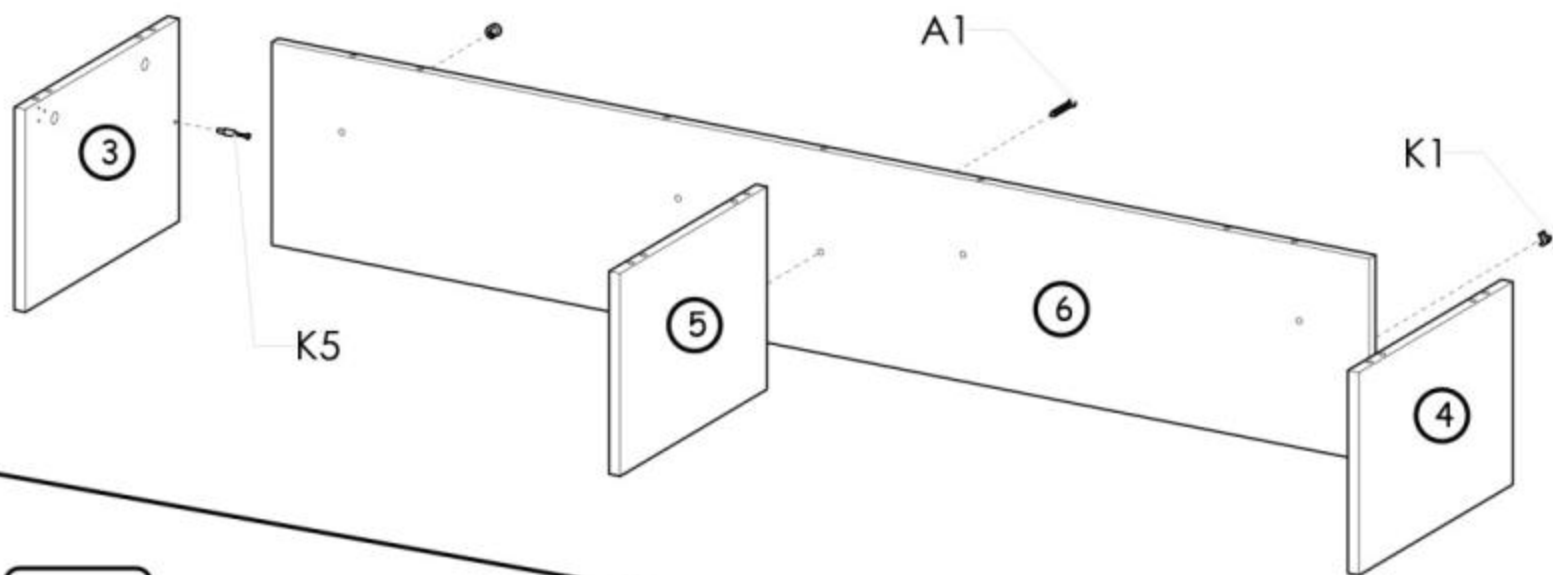
IV



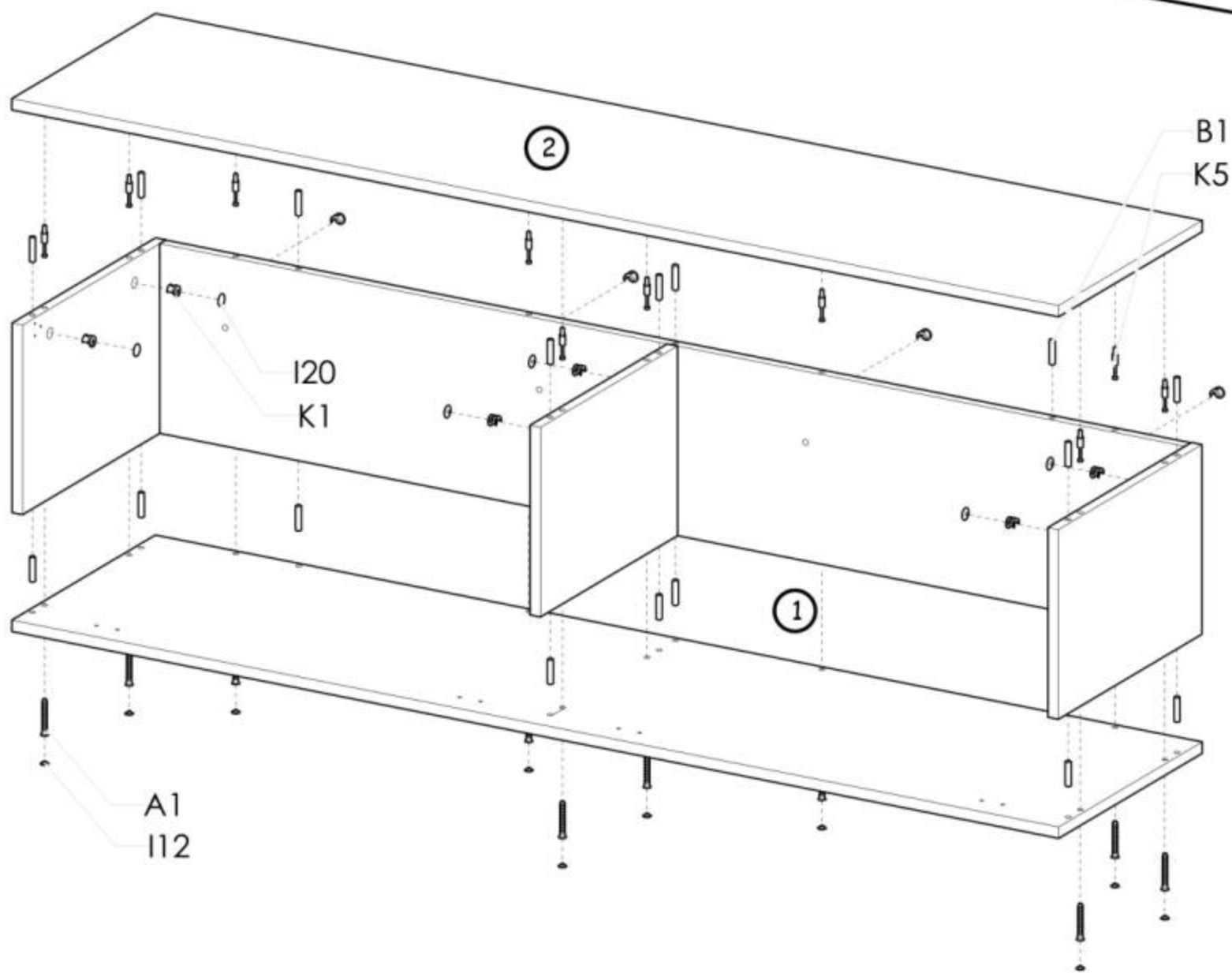
V



I



II



10
9
8
7
6
5
4
3
2
1
0

