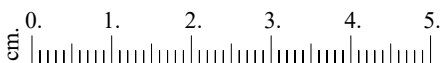
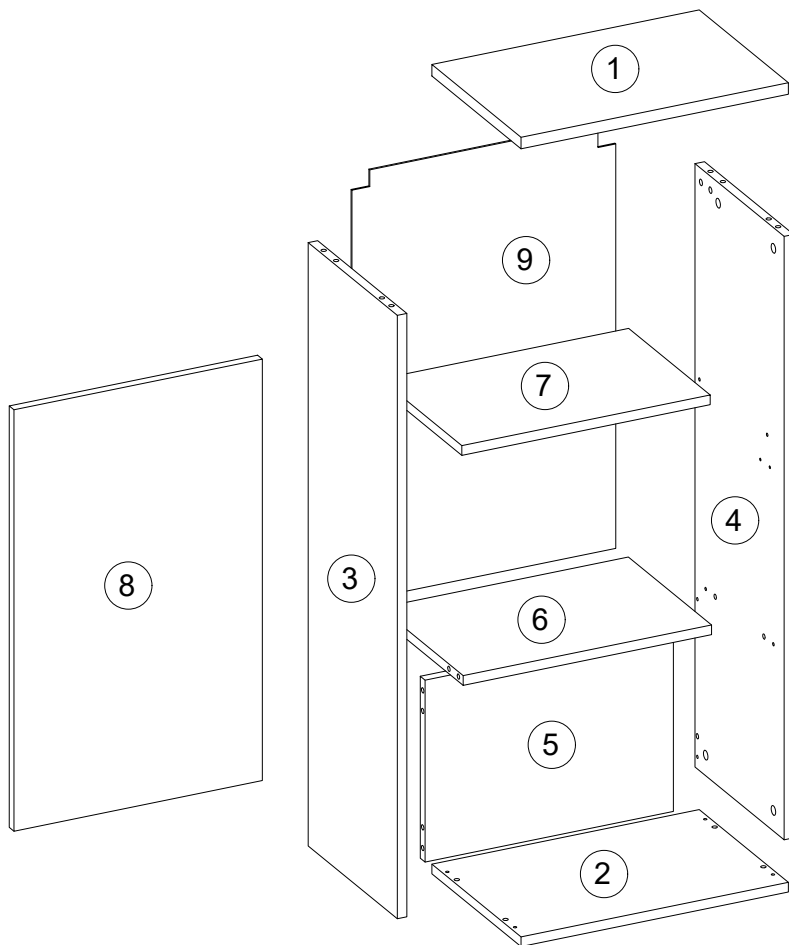
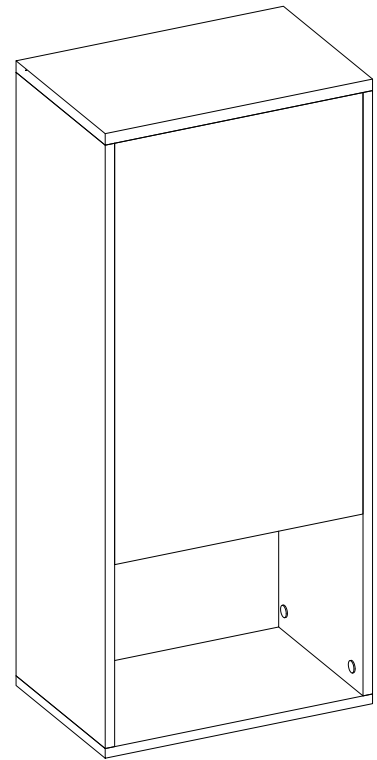
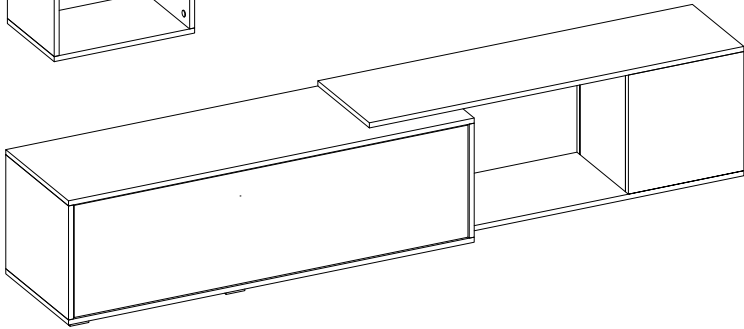
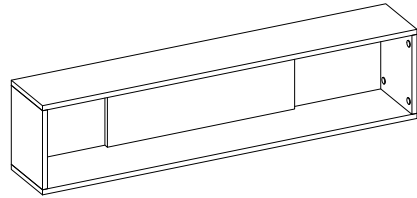
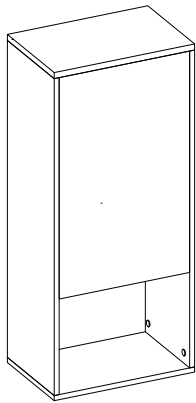


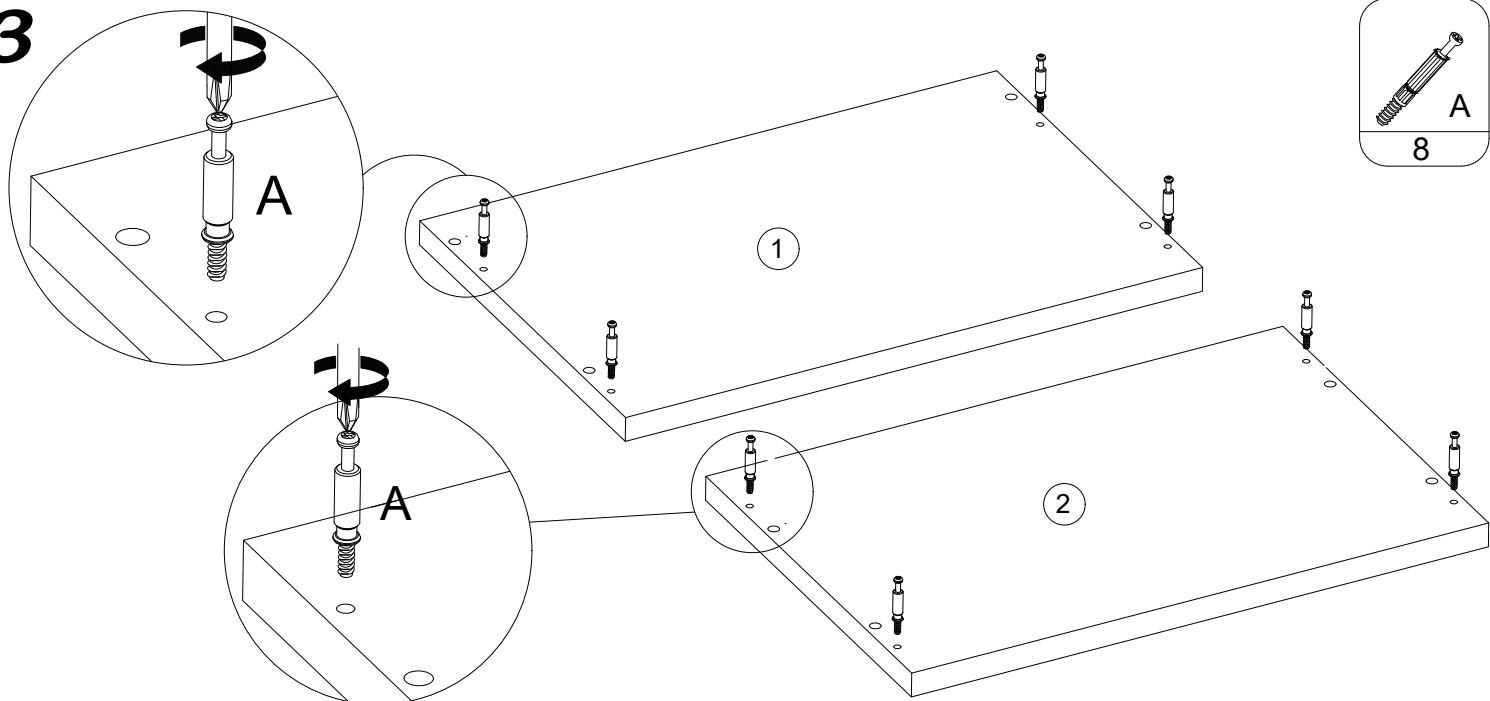
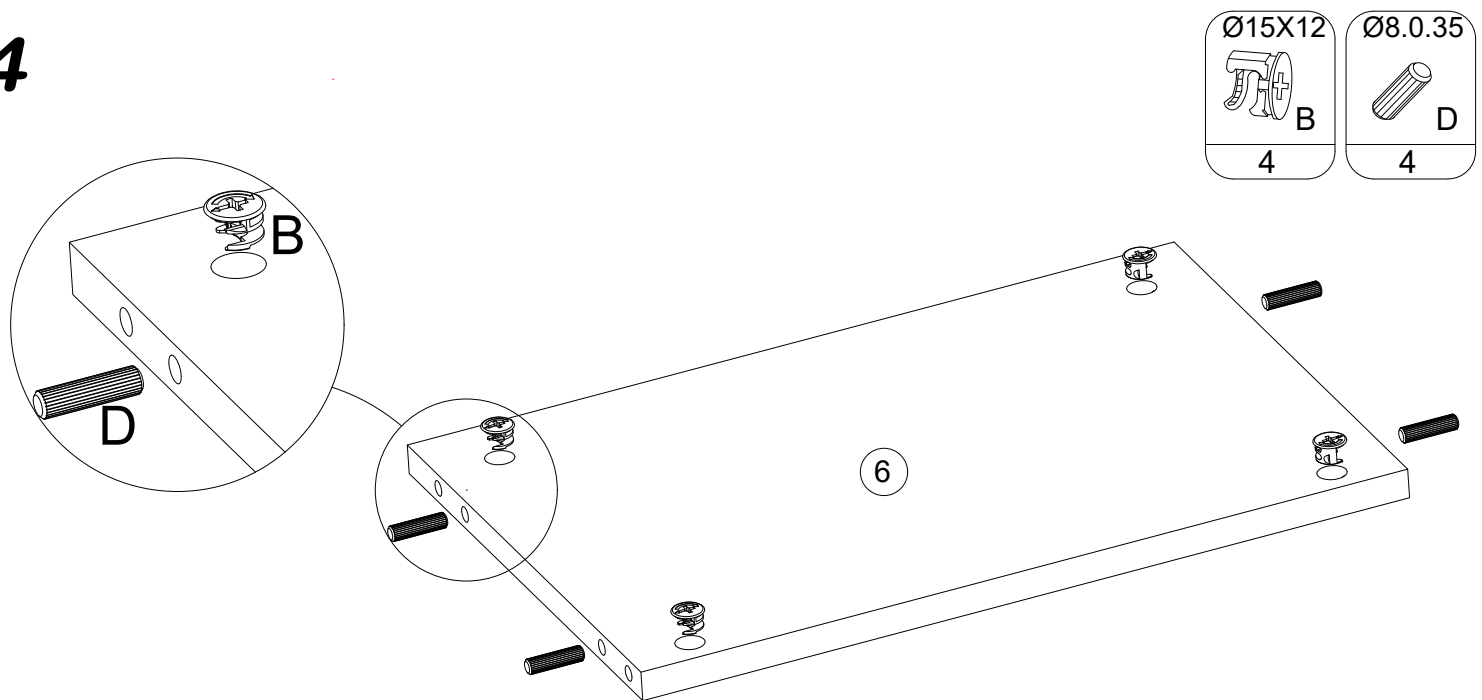
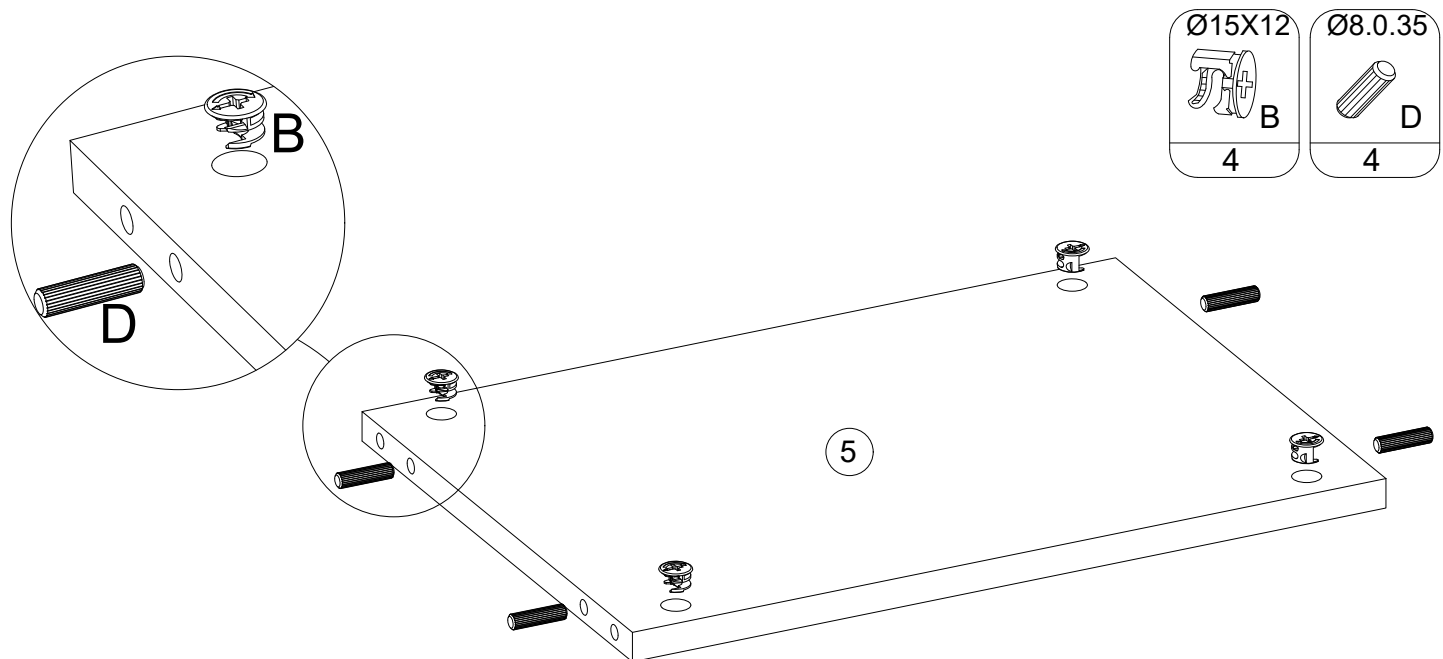
8.0x35  D 12	 X 12	 A 12	Ø15x12  B 12	 L 1	 P 35	 W 4	 T 4	 H 4	 L 2
							 S 4	 PO 1	 Z1 2



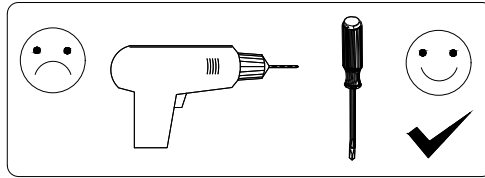
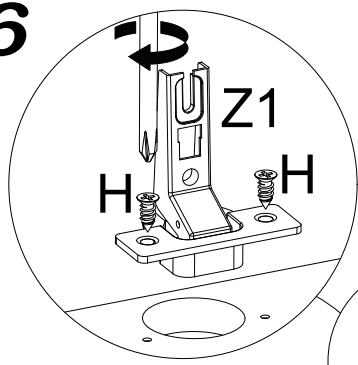


No.	Pcs.	L	W	D
1.	1	500	302	16
2.	1	500	302	16
3.	1	1000	300	16
4.	1	1000	300	16
5.	1	466	300	16
6.	1	466	280	16
7.	1	466	280	16
8.	1	694	460	16
9.	1	710	492	3

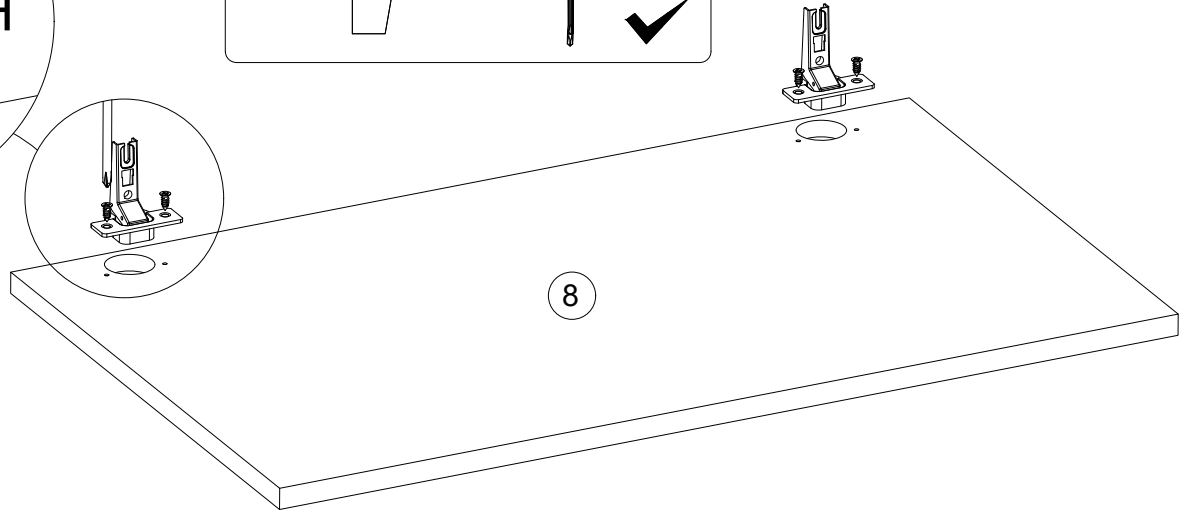


**3****4****5**

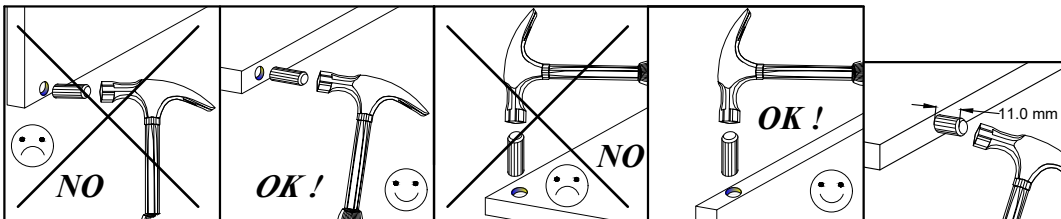
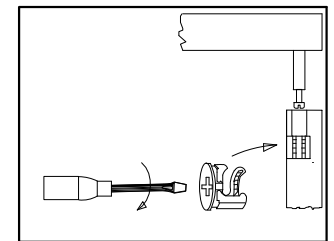
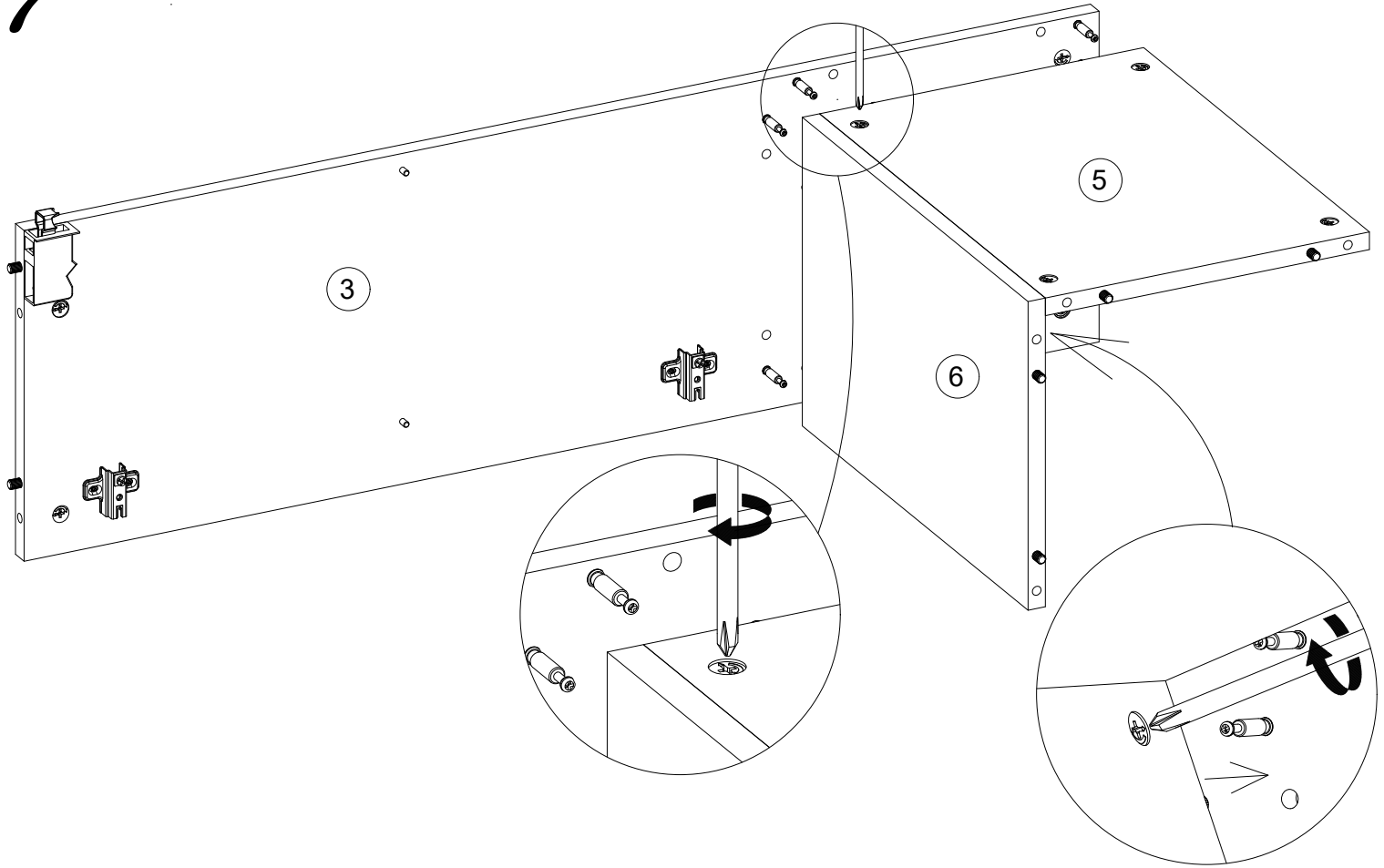
6



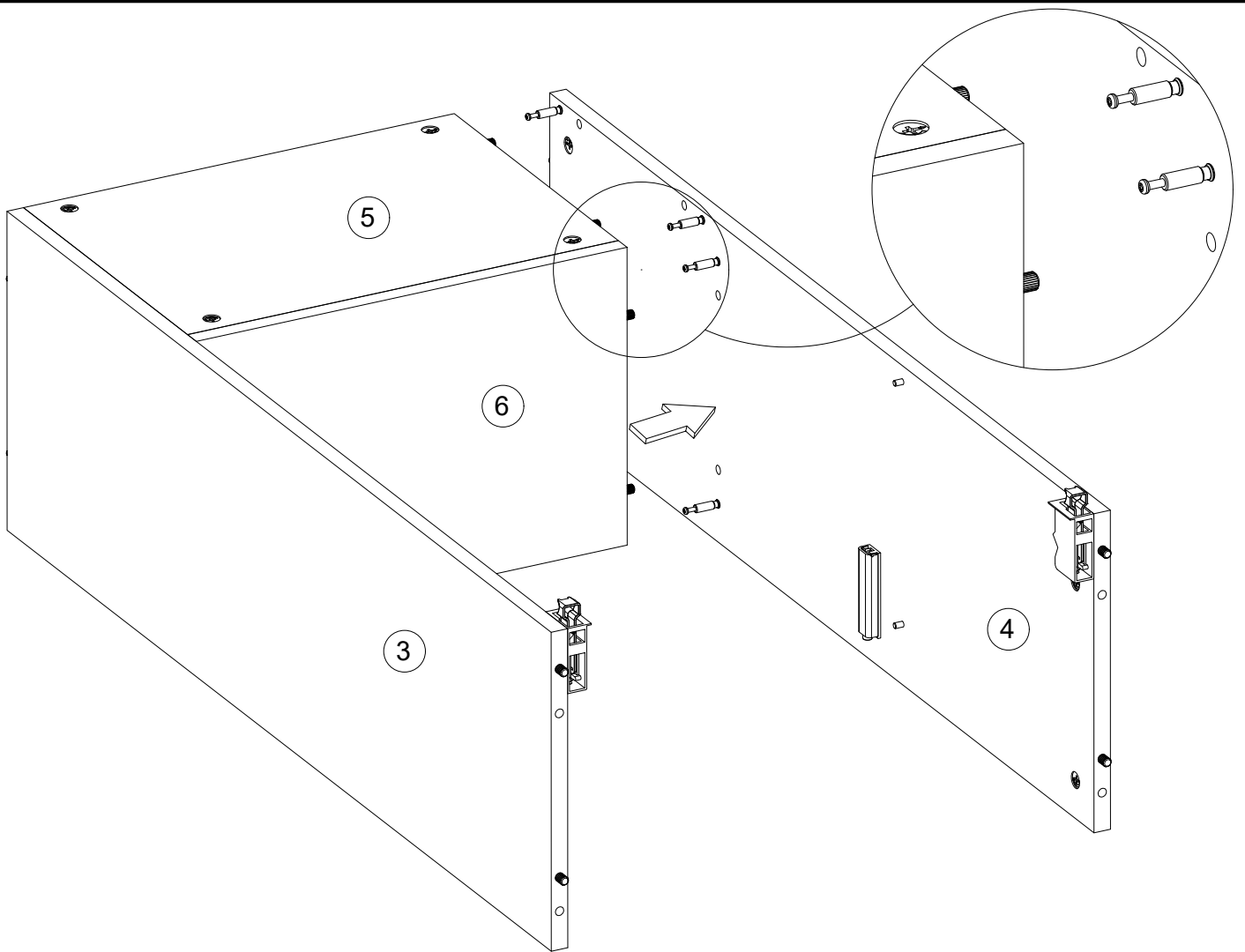
3.5x16	
	H
4	
	Z1
	2



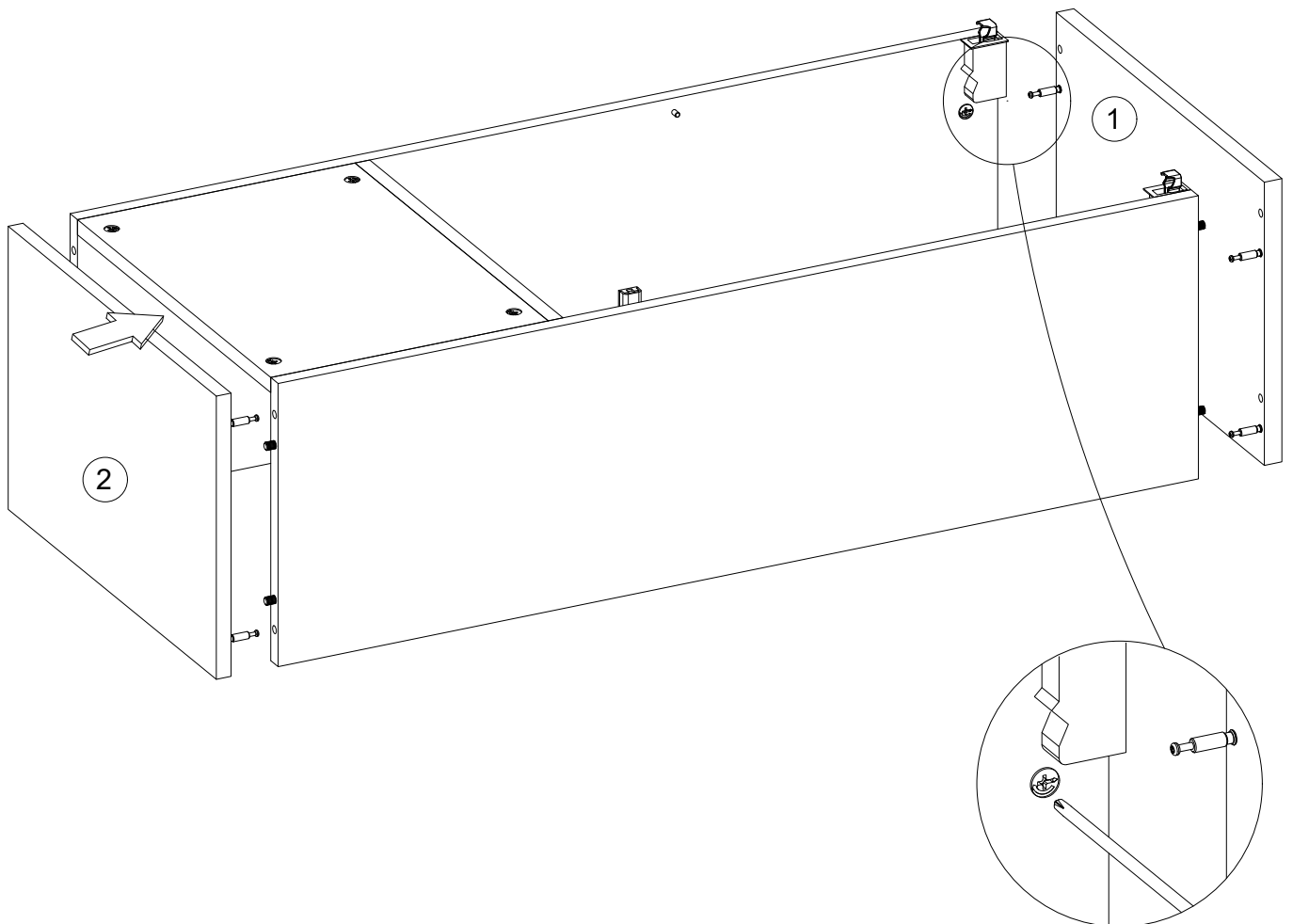
7



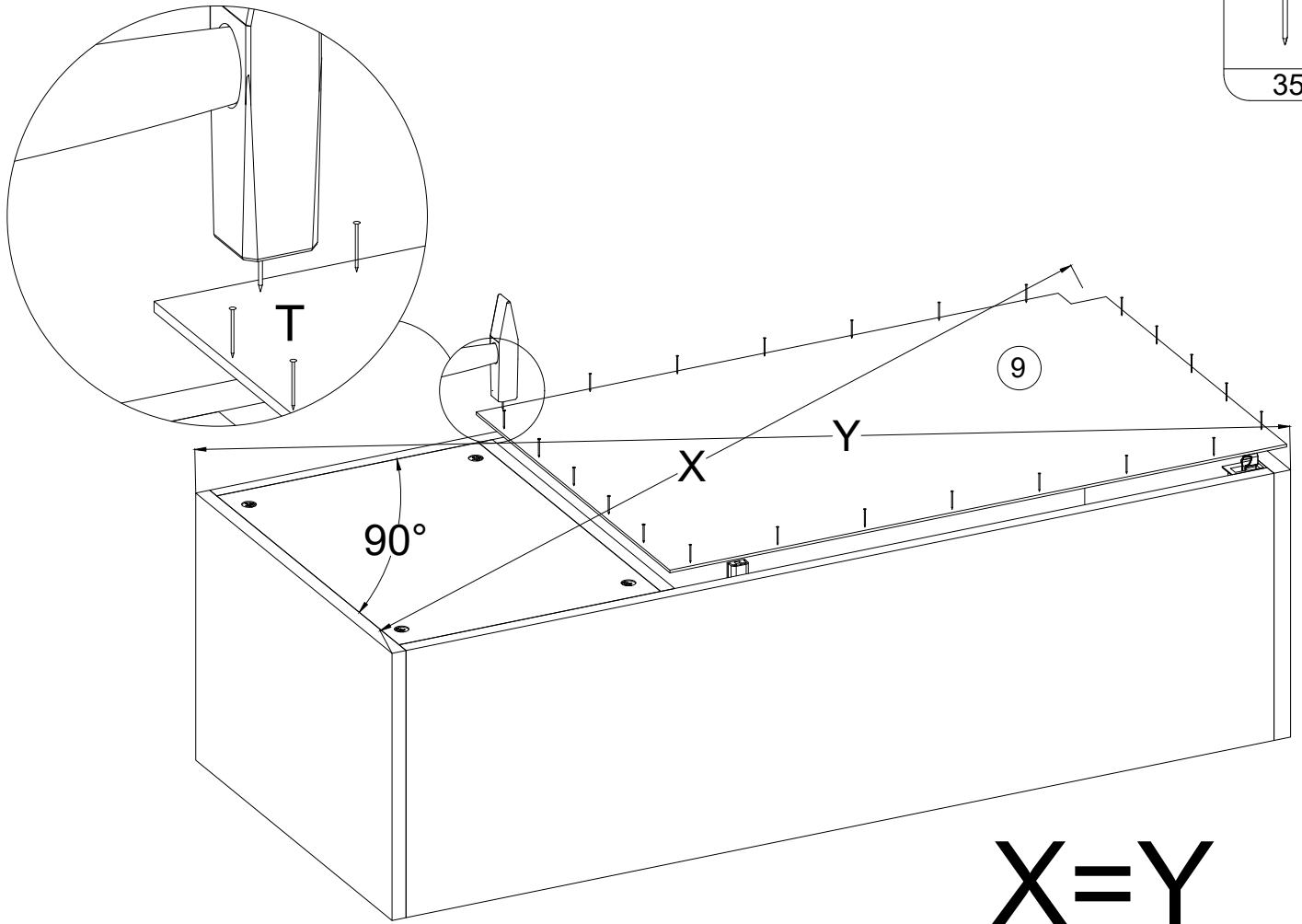
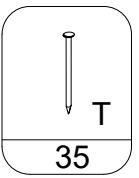
8



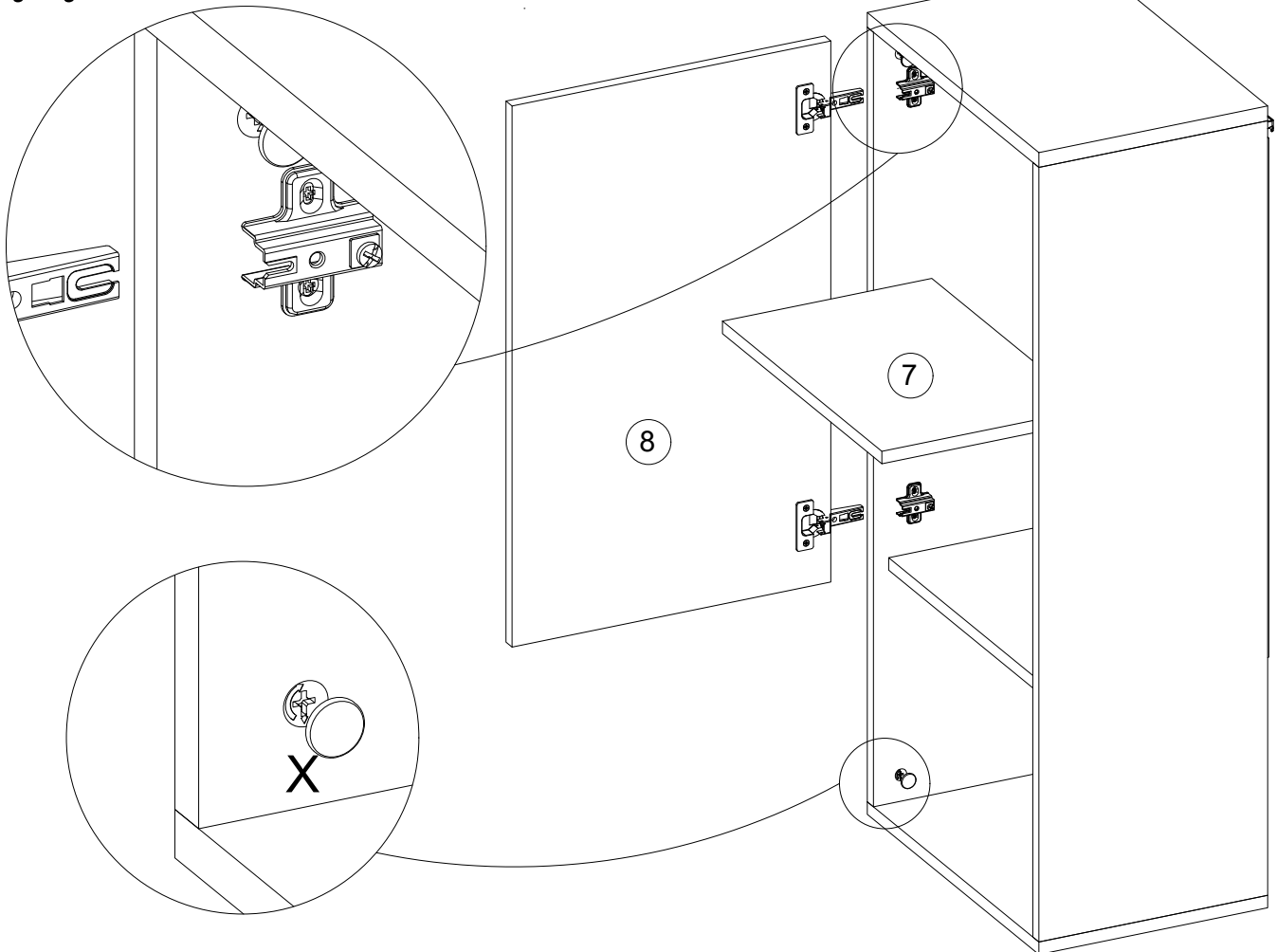
9

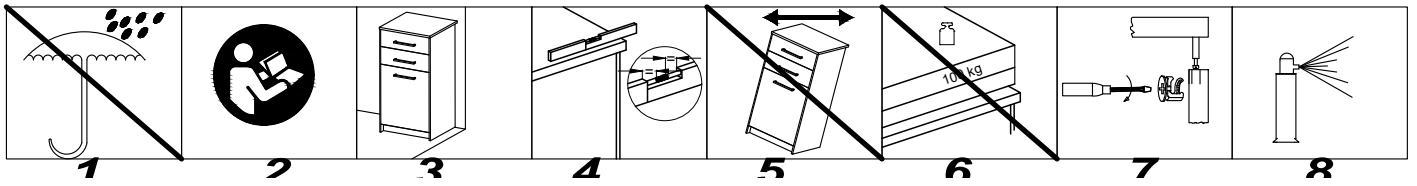
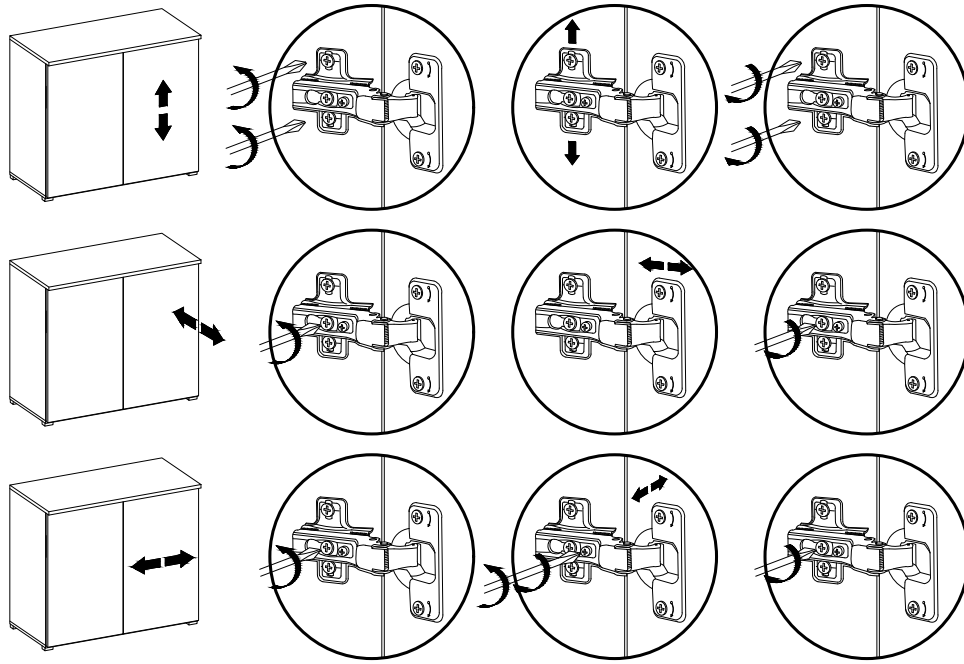


10

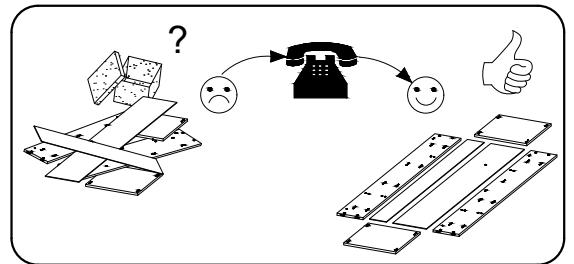
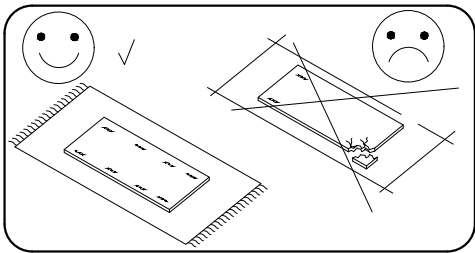
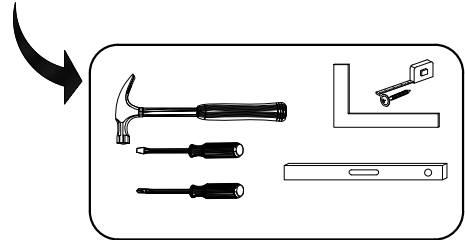
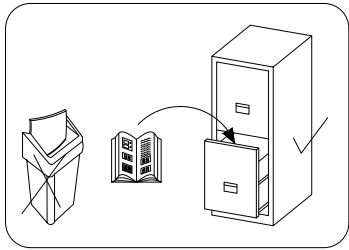
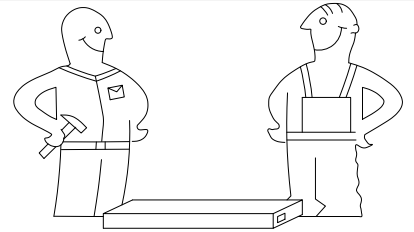


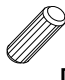





11

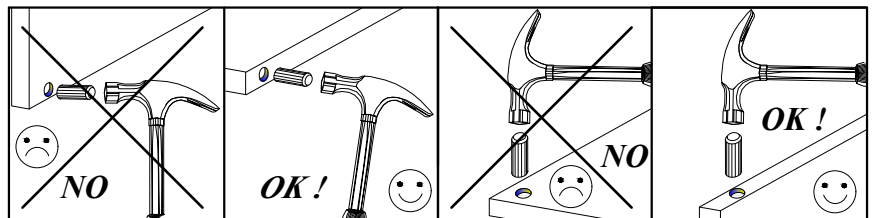
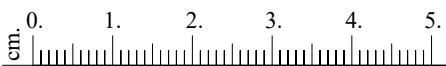


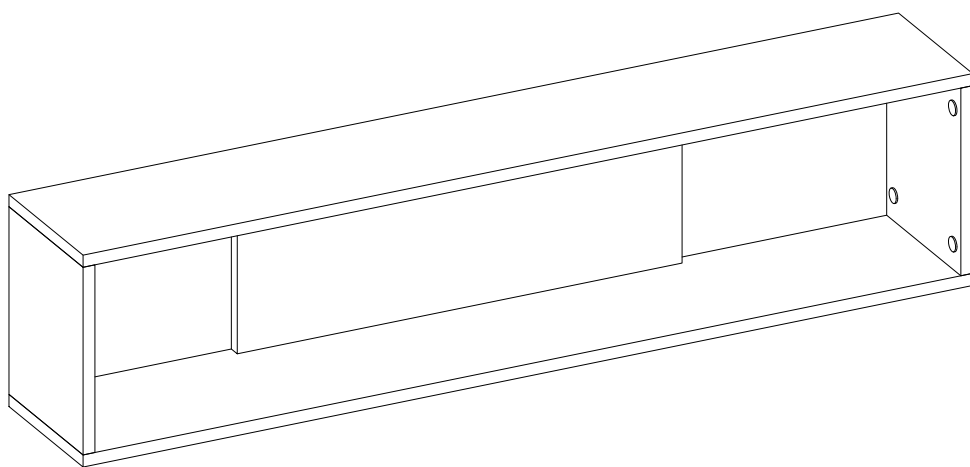
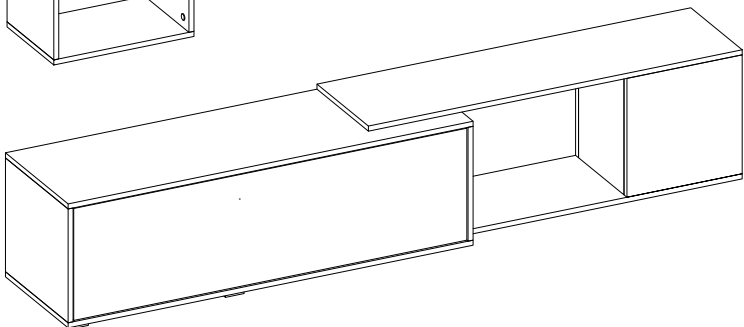
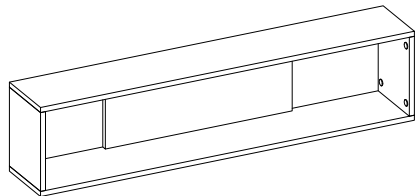
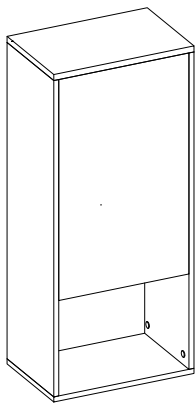




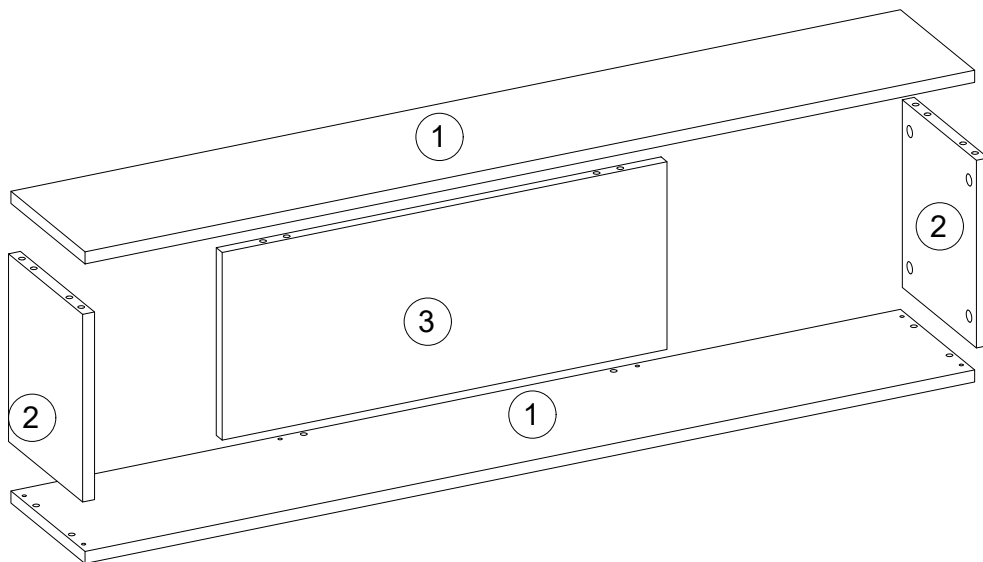


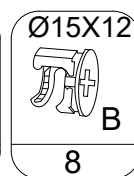
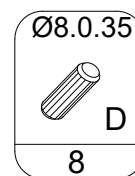
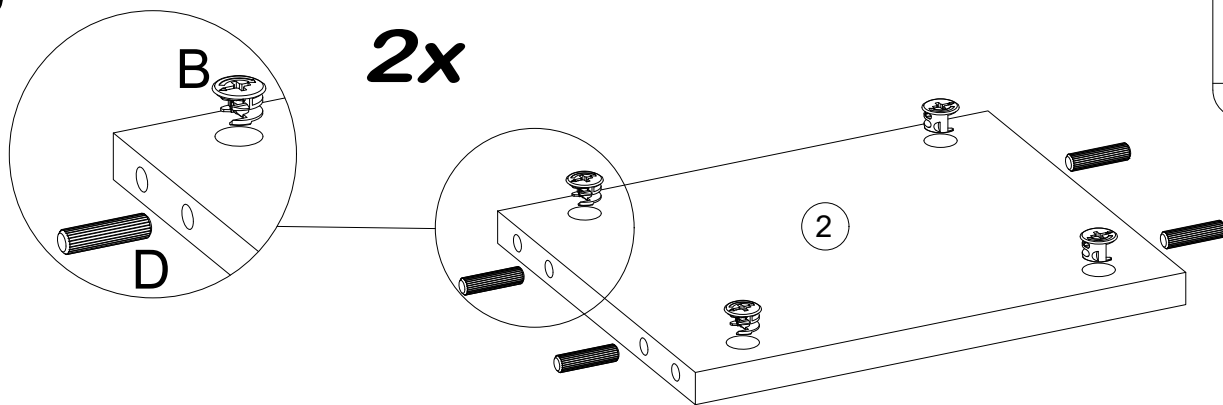
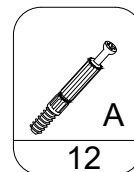
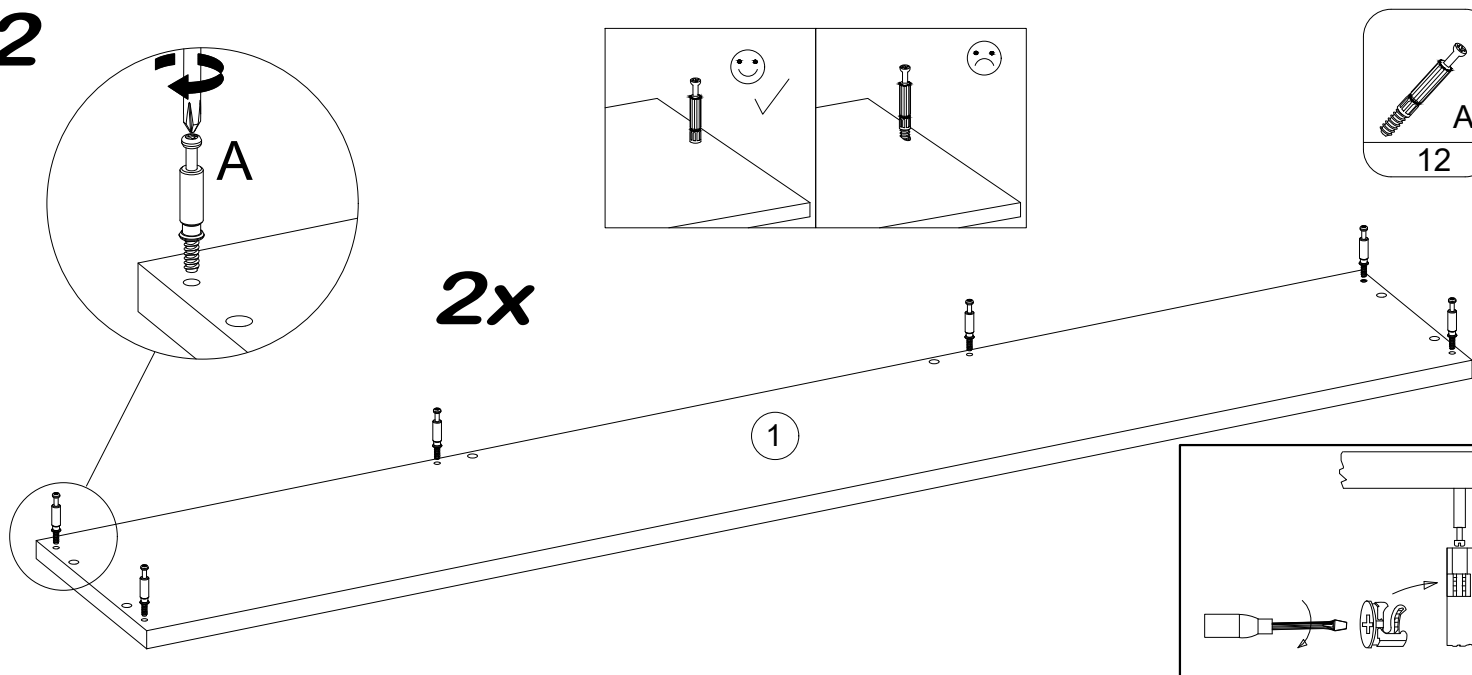
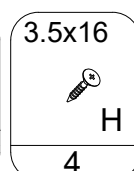
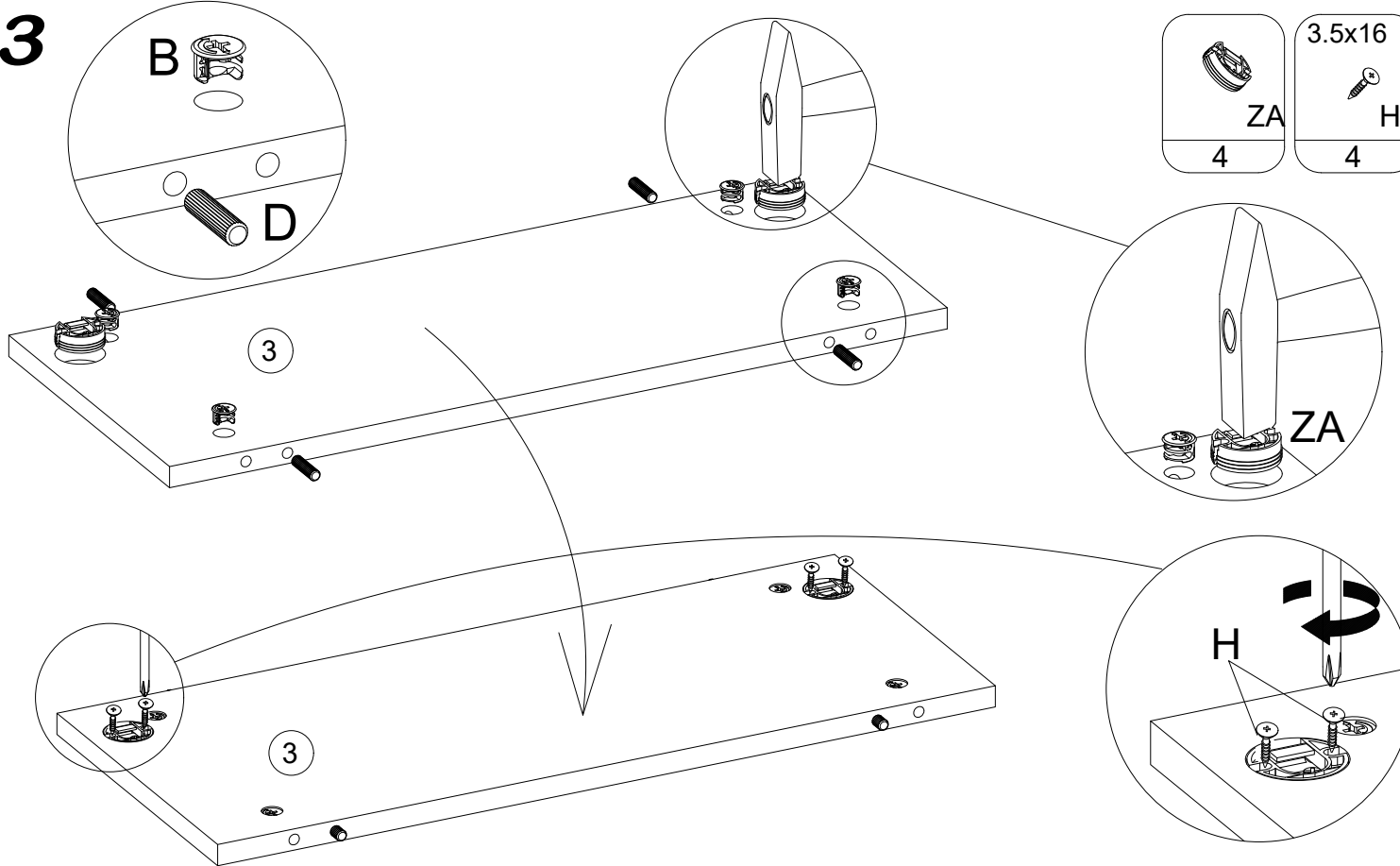
8.0x35  D	 X	 A	Ø15x12  B	 ZA	3.5x16  H
12	12	12	12	2	4



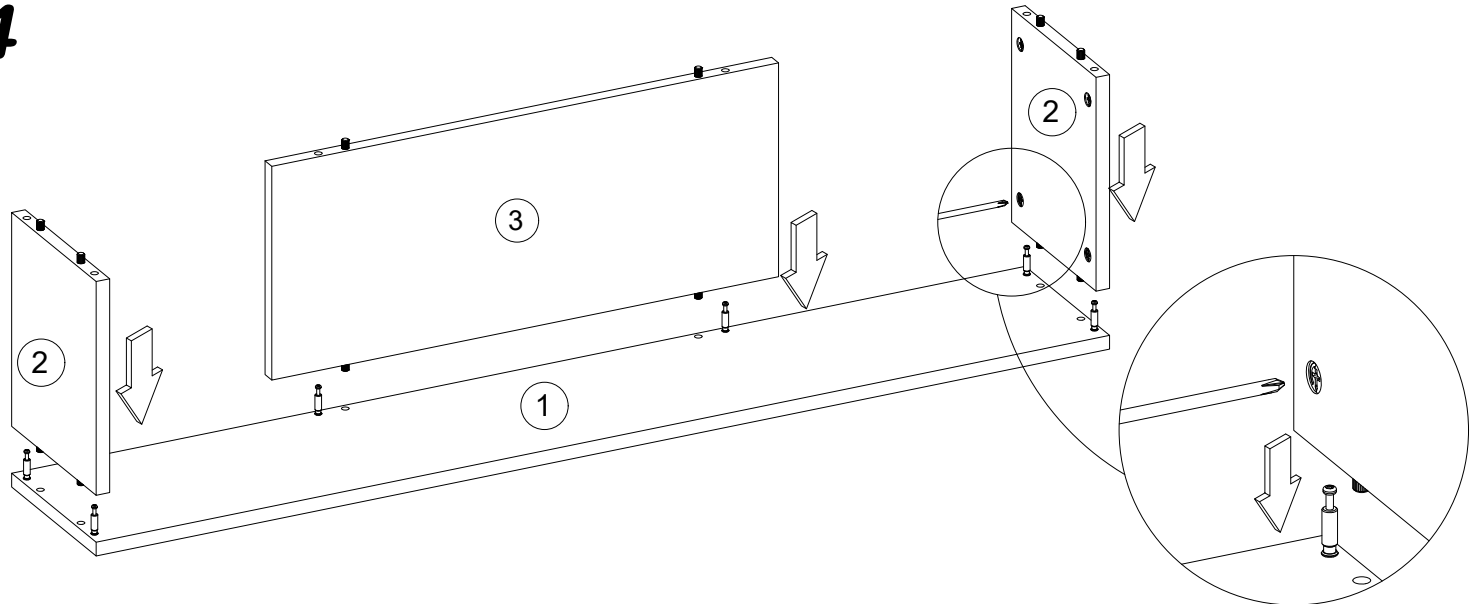


No.	Pcs.	L	W	D
1.	2	1200	202	16
2.	2	250	200	16
3.	1	600	250	16

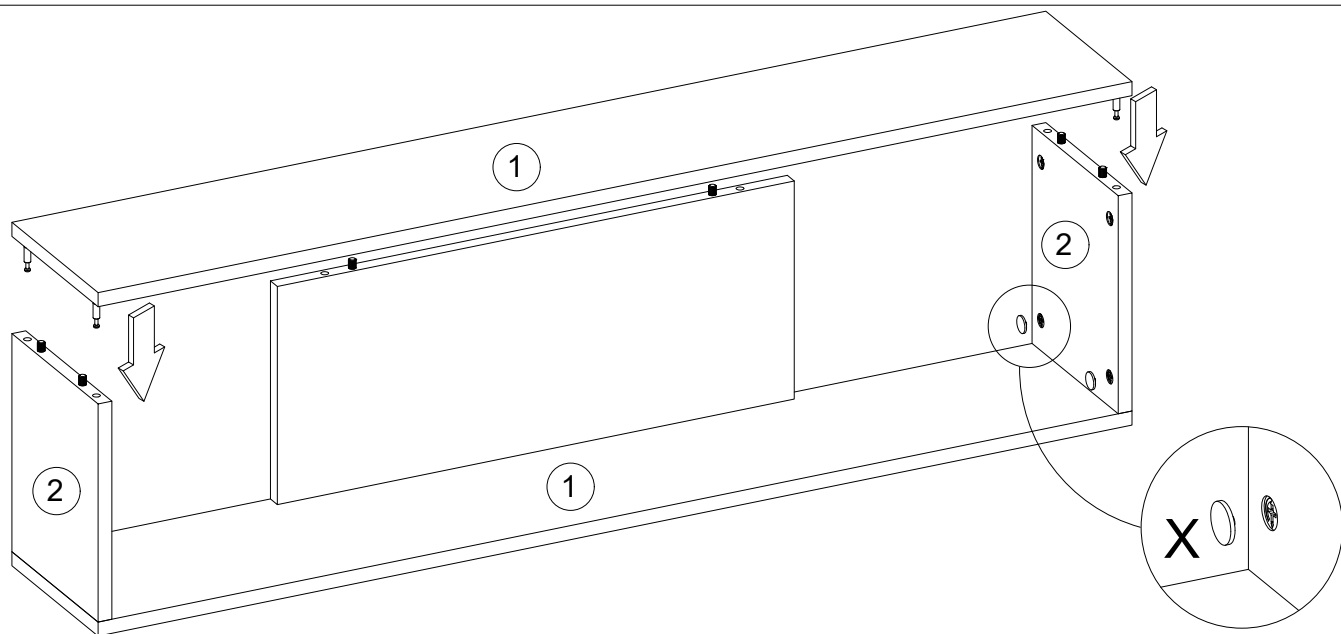


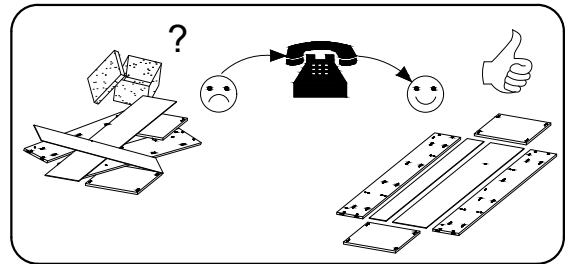
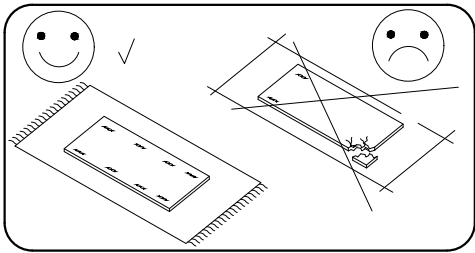
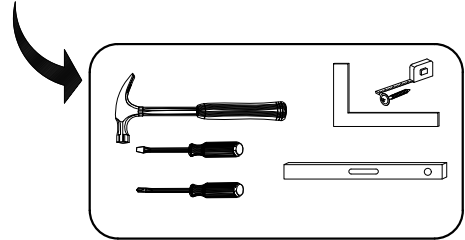
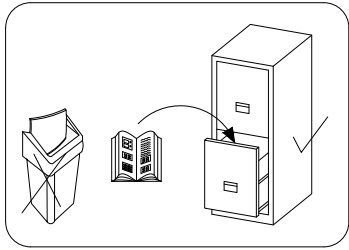
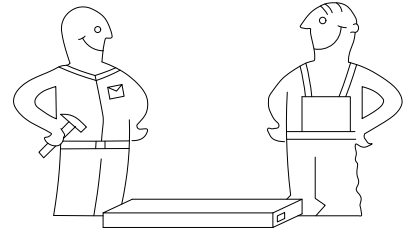
**1****2****3**

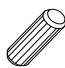





4



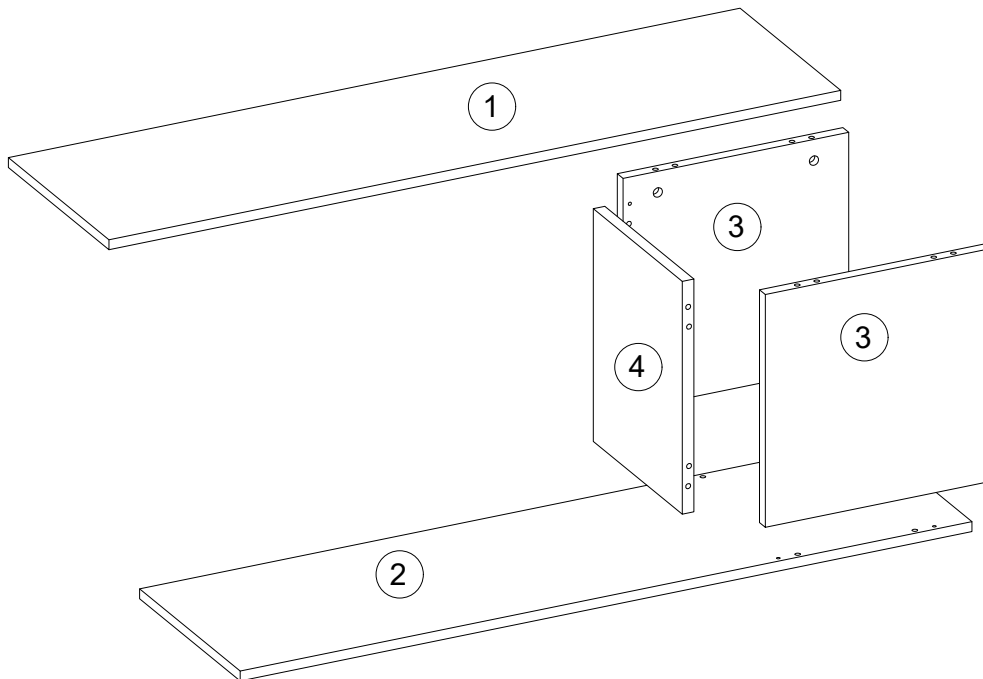
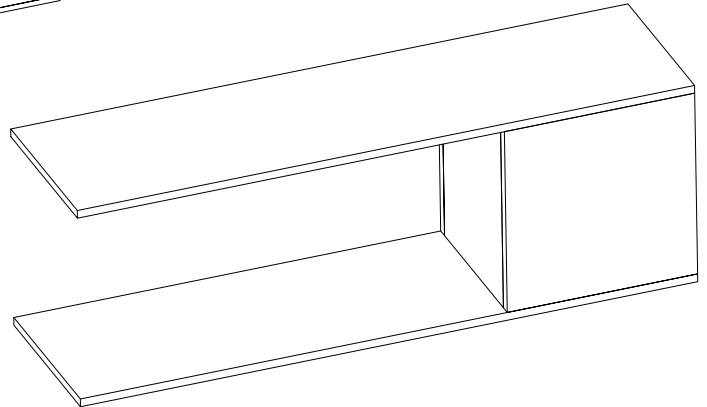
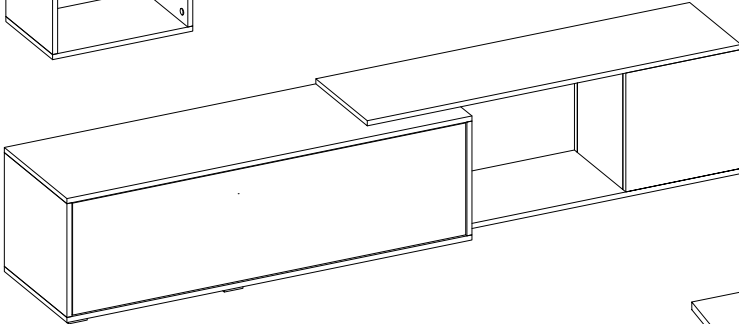
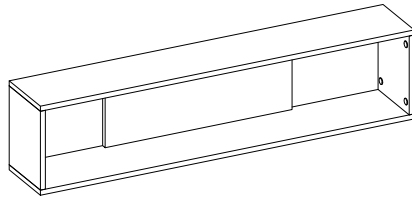
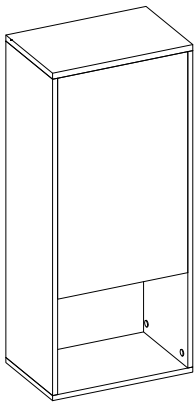
5



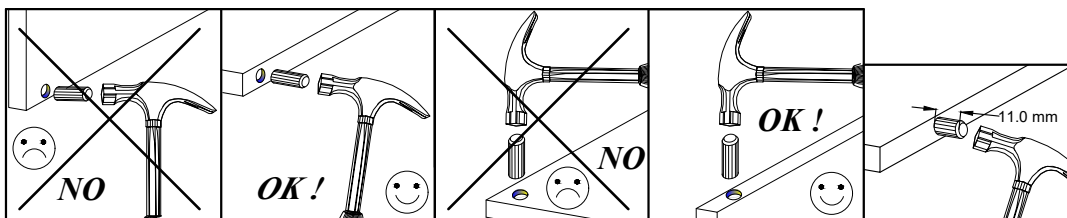


8.0x35  D	 X	 A	Ø15x12  B	 M3	4.0x30  P
12	12	12	12	6	4

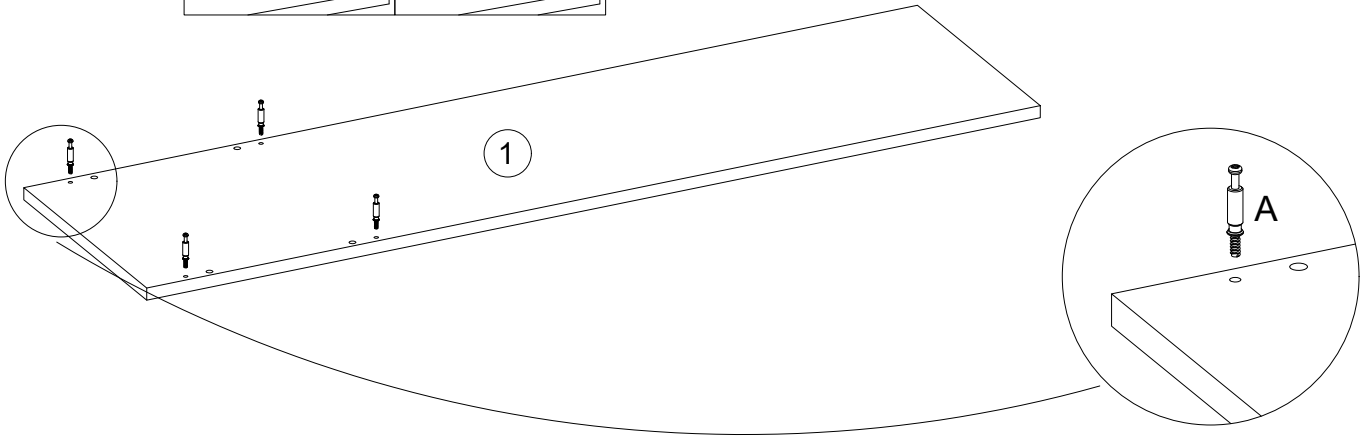
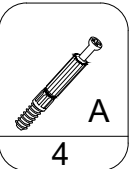
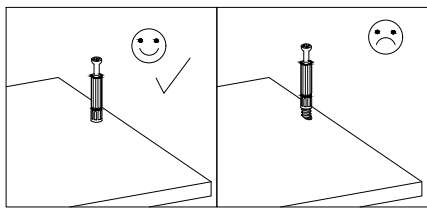




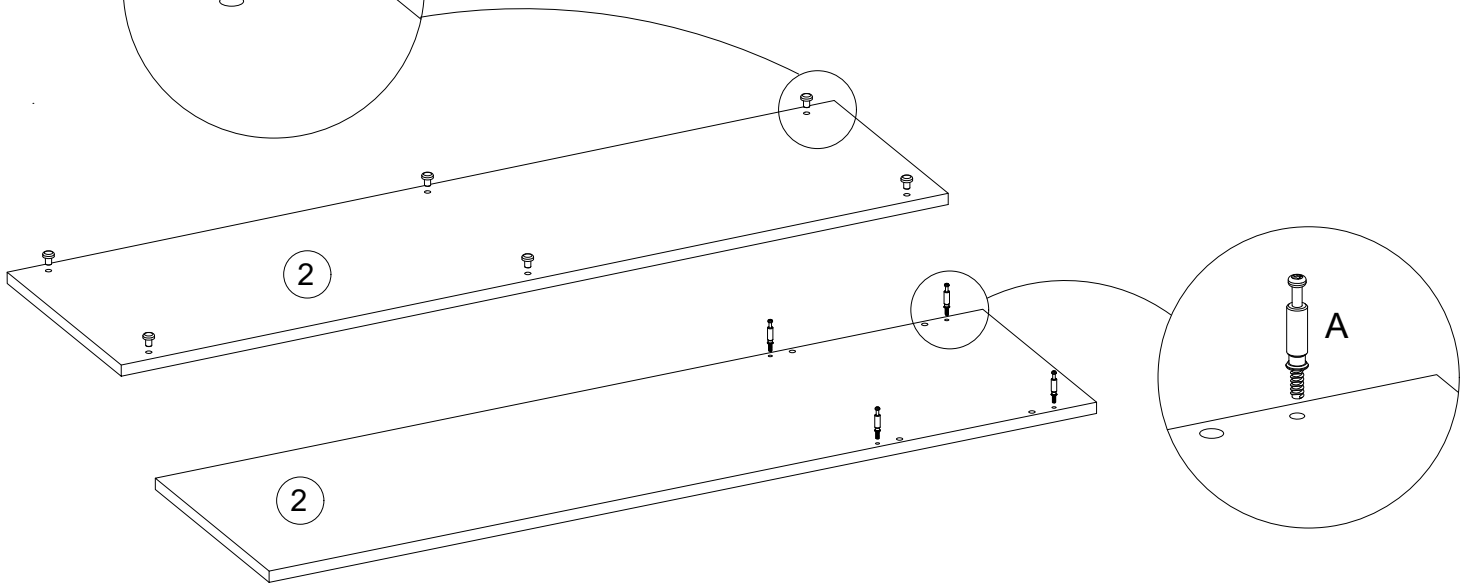
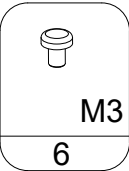
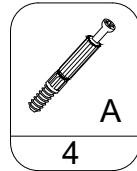
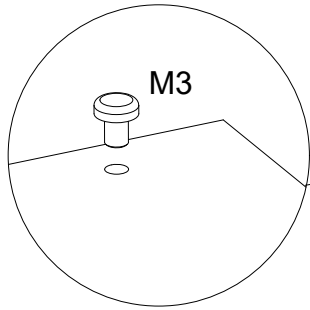
No.	Pcs.	L	W	D
1.	1	1200	202	16
2.	1	1200	202	16
3.	2	370	330	16
4.	1	370	298	16



1

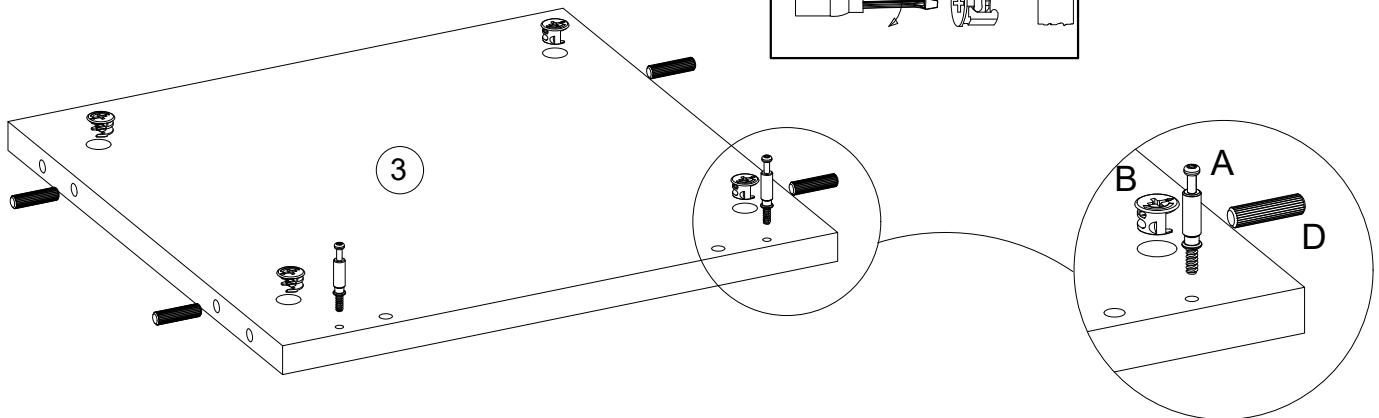
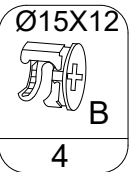
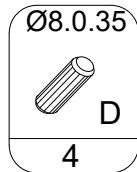
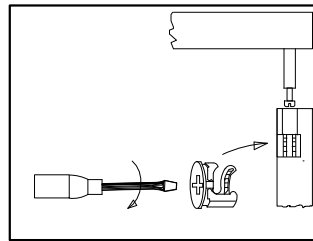


2

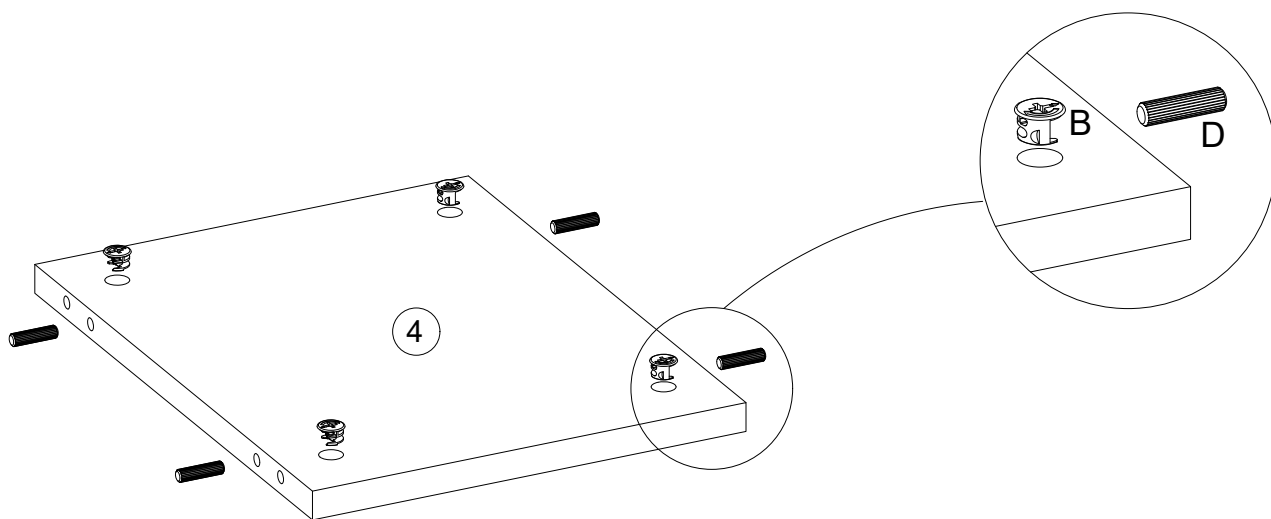


3

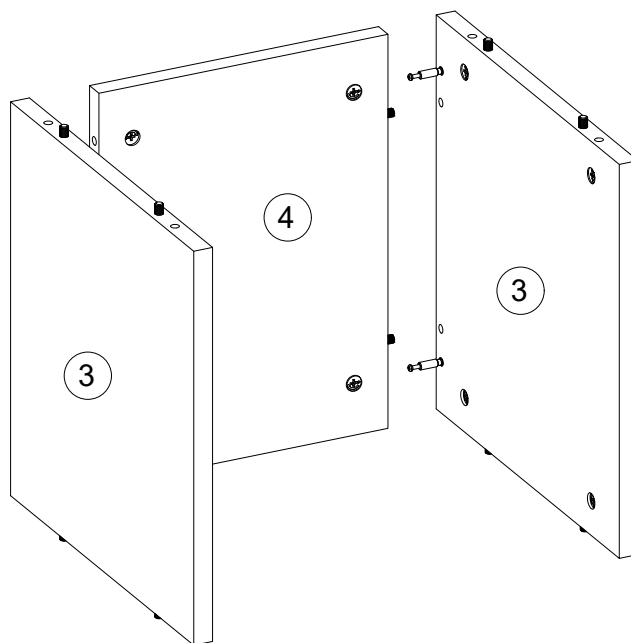
2x



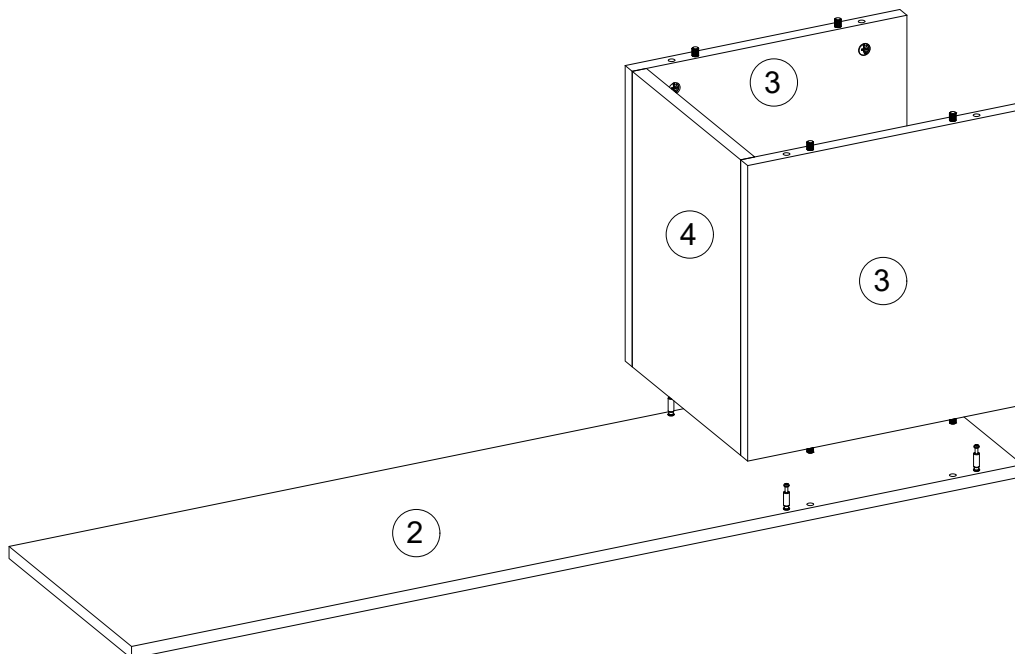
4



5

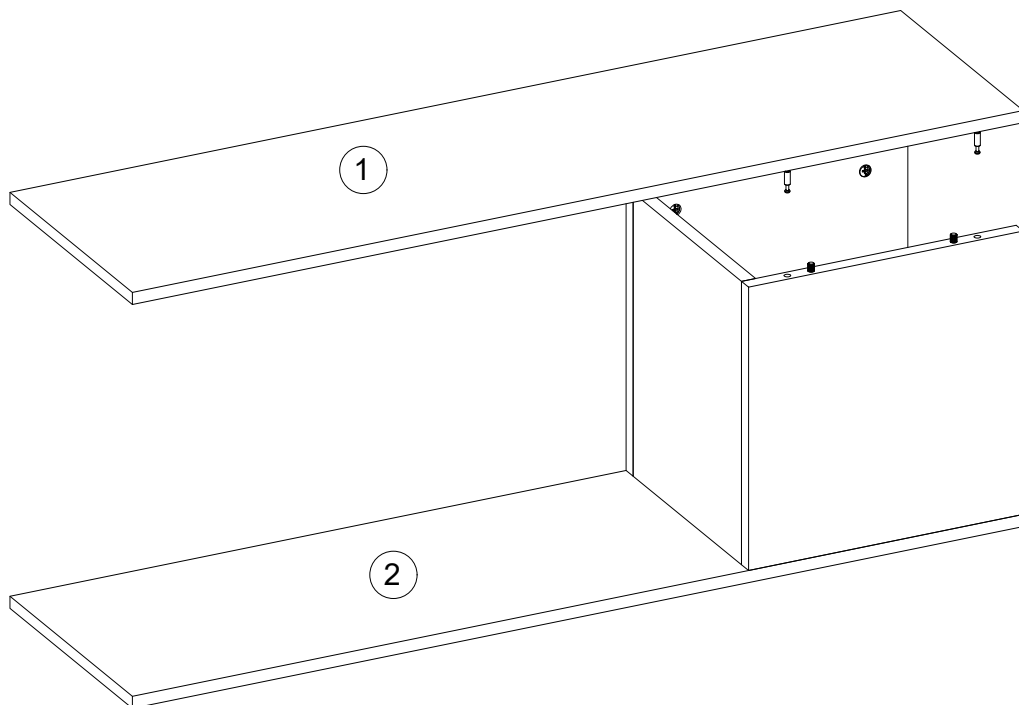


6

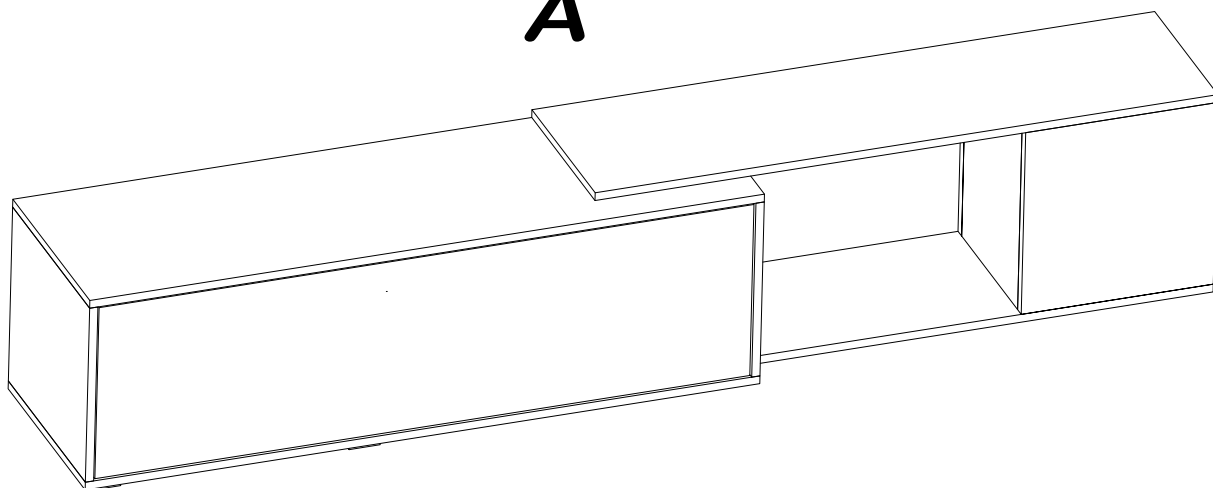




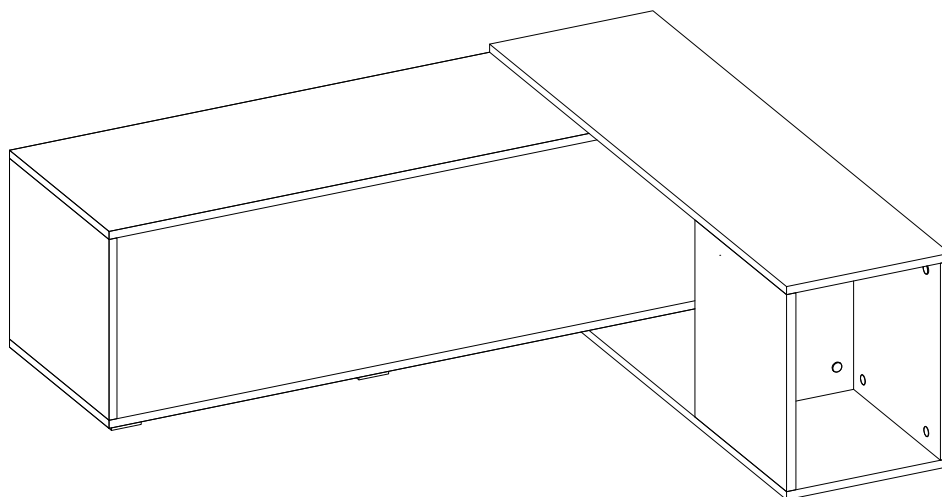
7



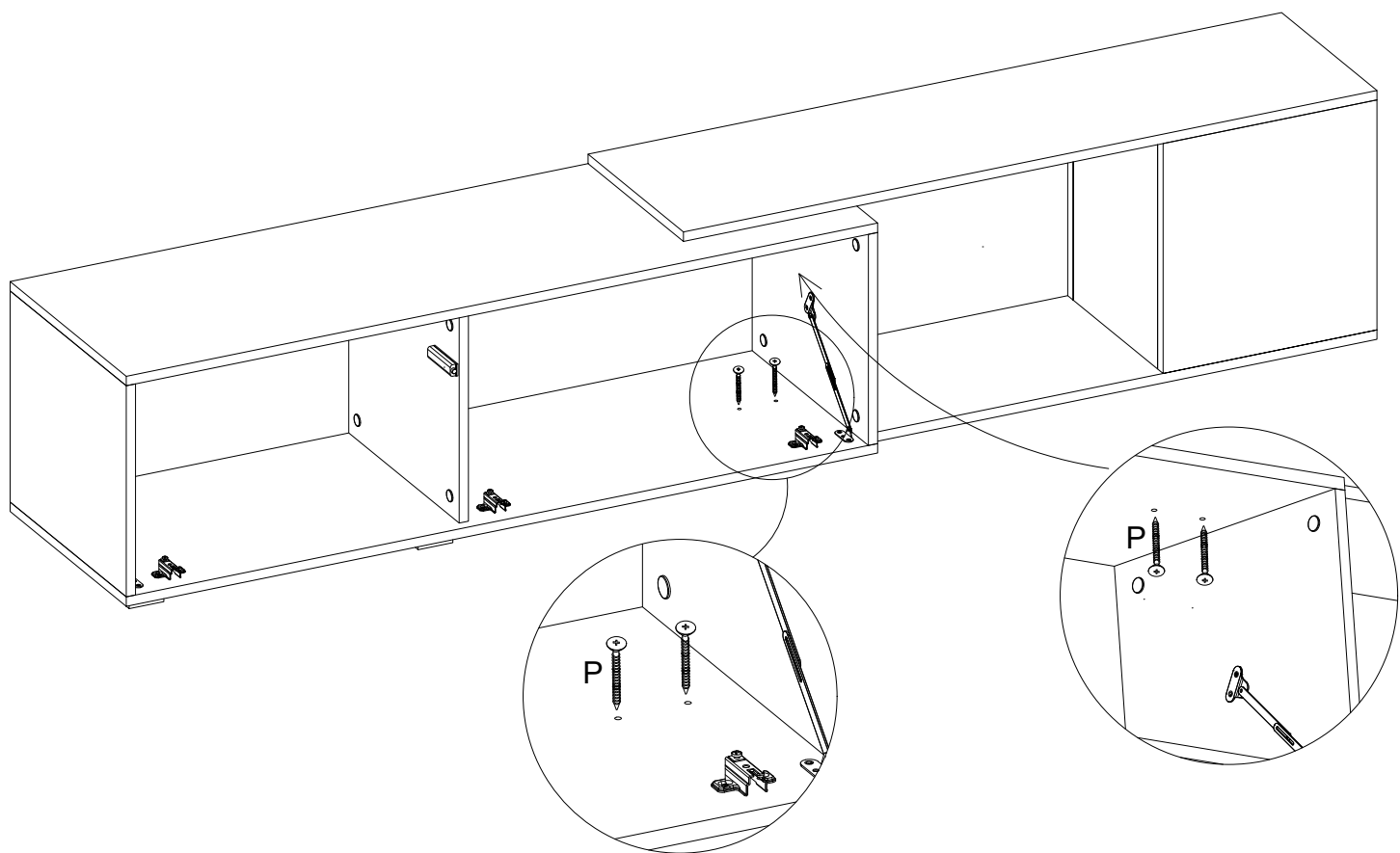
**A**



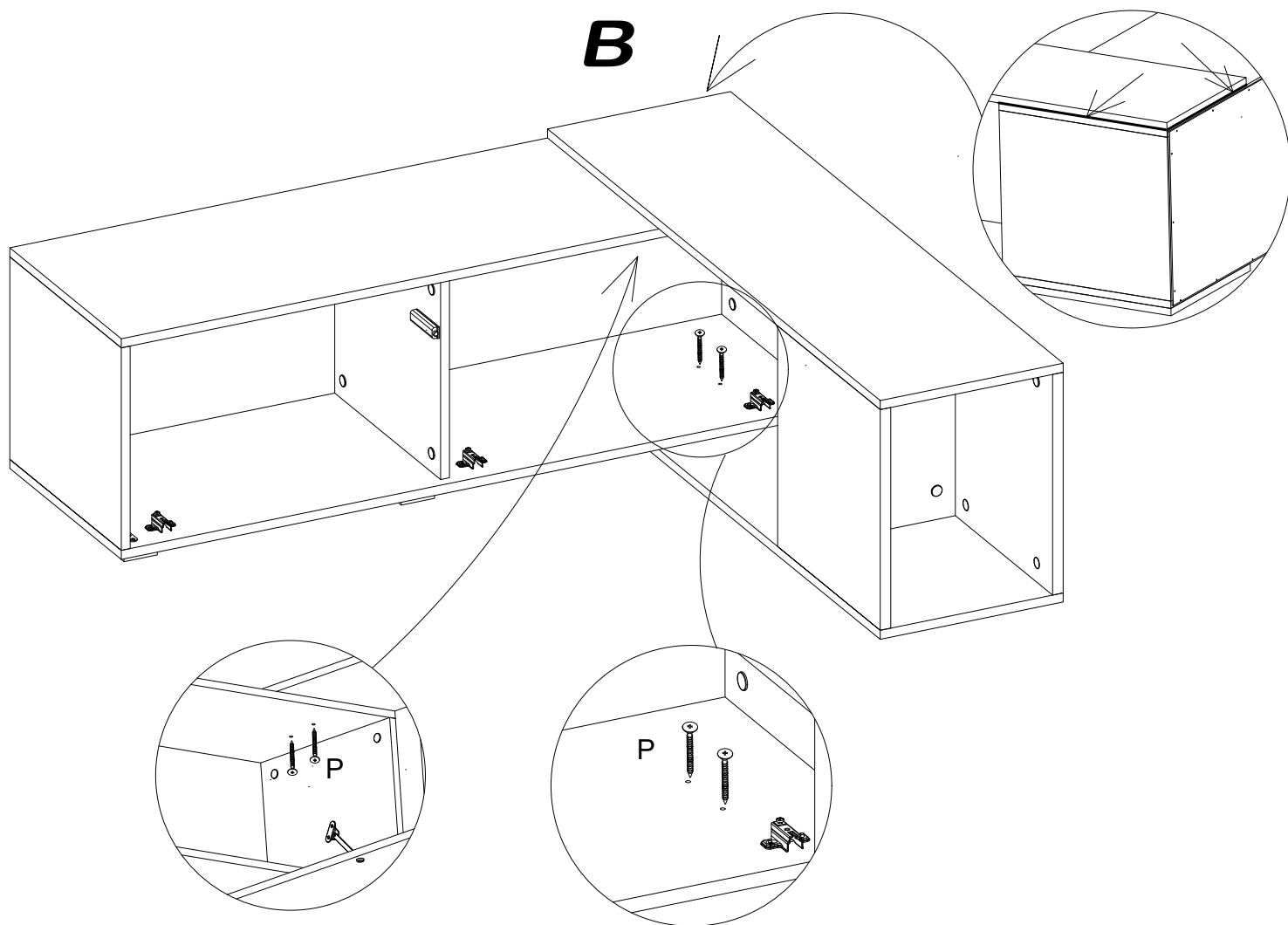
**B**

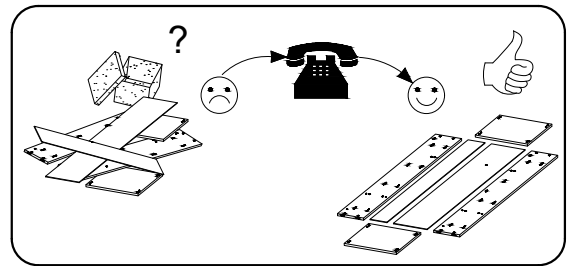
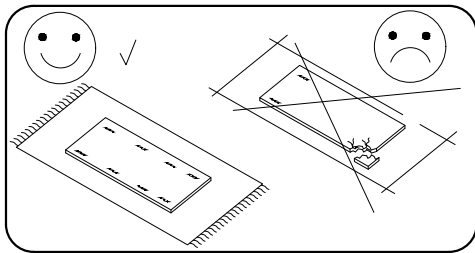
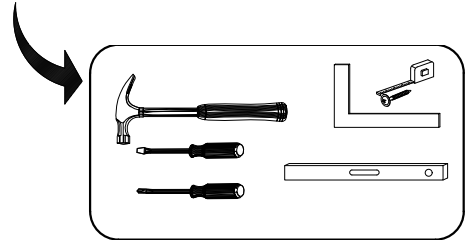
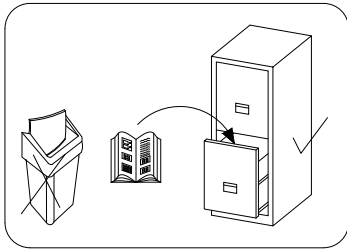
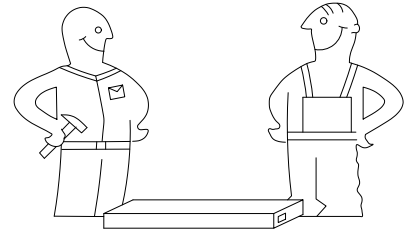


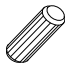







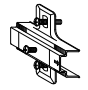
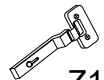

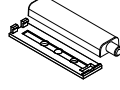
# A



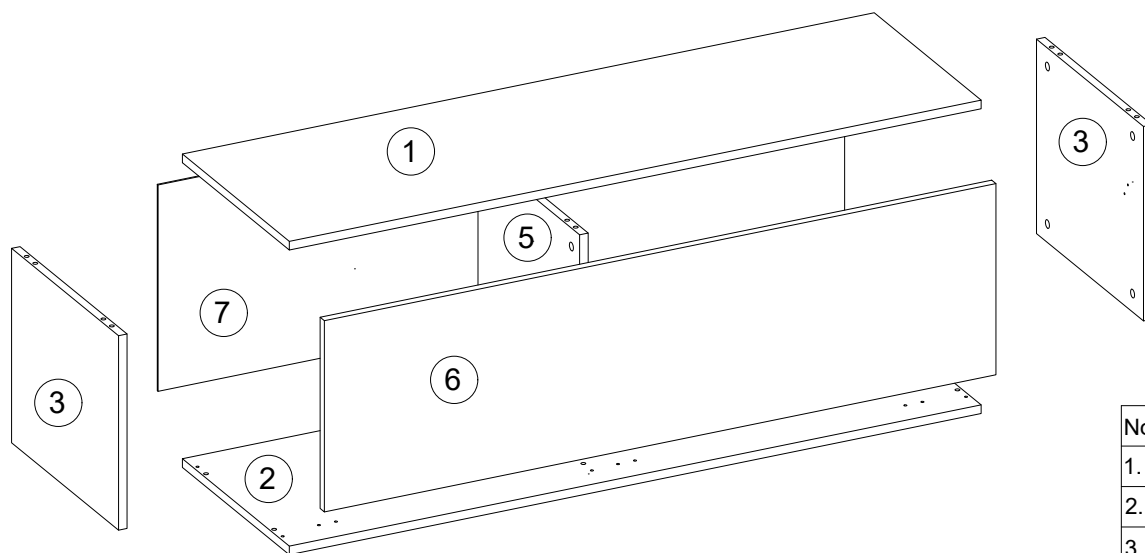
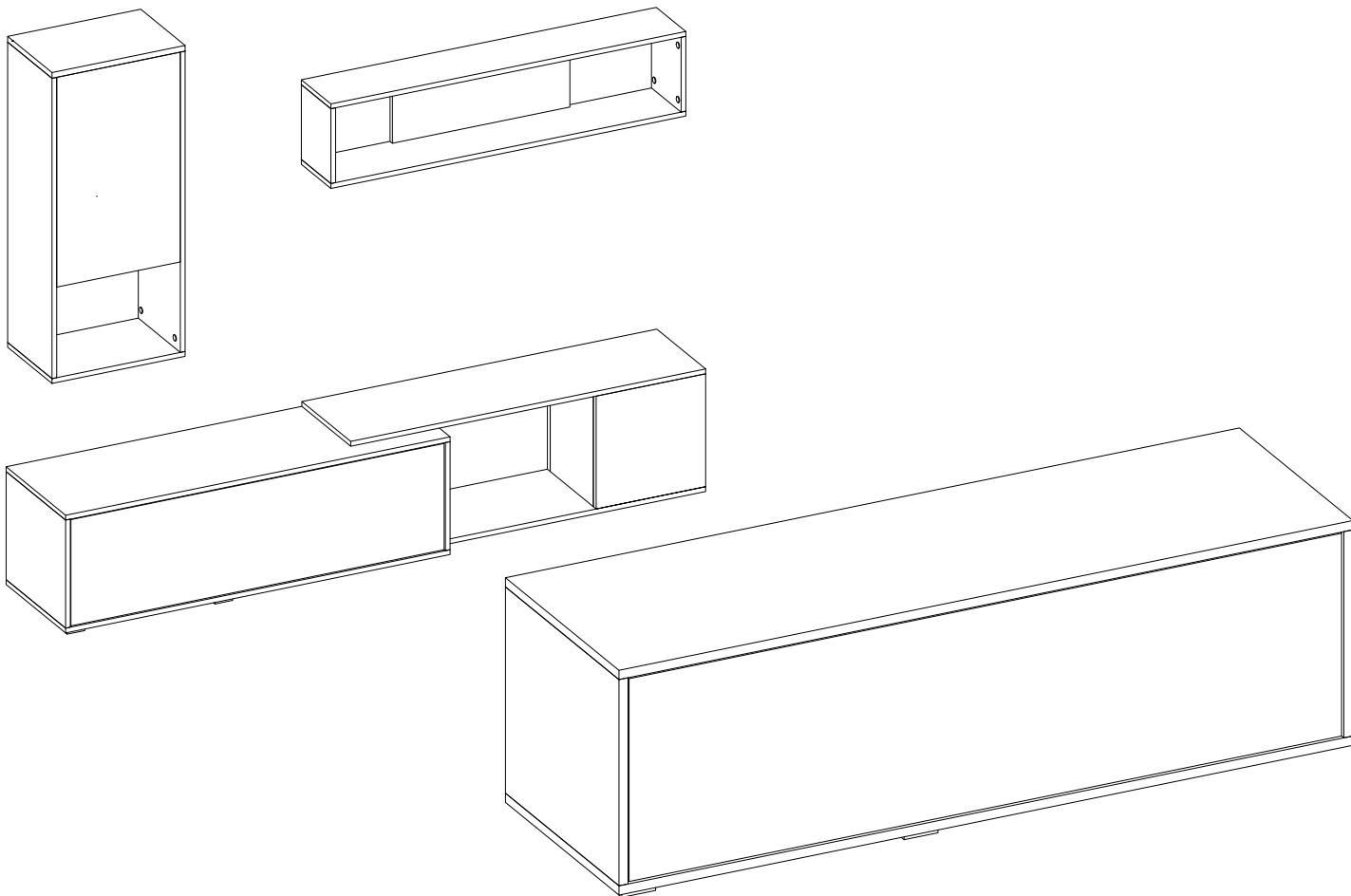
# B



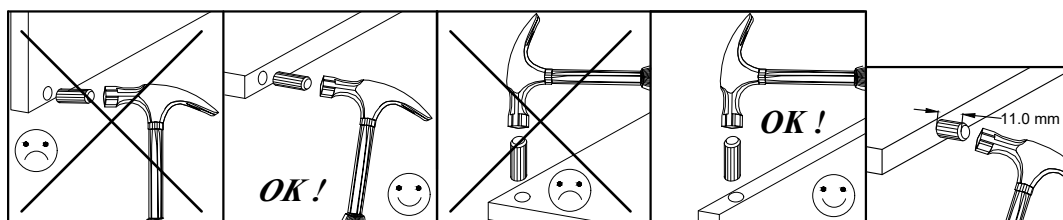


8.0x35  D	 X	 A	Ø15x12  B	 RO	 T	4.0x25  P3	3.5x16  H	 L	 Z1
12	12	12	12	1	30	8	16	3	3
								 M	 PO
								4	1

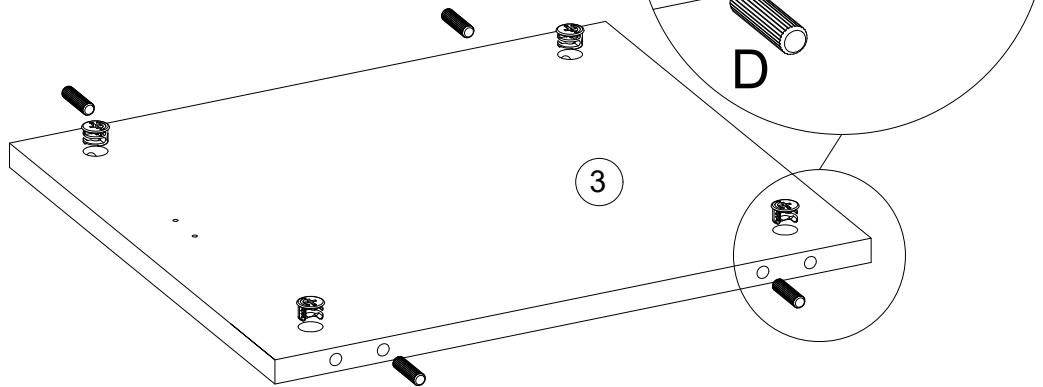




No.	Pcs.	L	W	D
1.	1	1300	402	16
2.	1	1300	402	16
3.	2	338	400	16
4.	-	-	-	-
5.	1	338	380	16
6.	1	1262	332	16
7.	1	1292	364	3

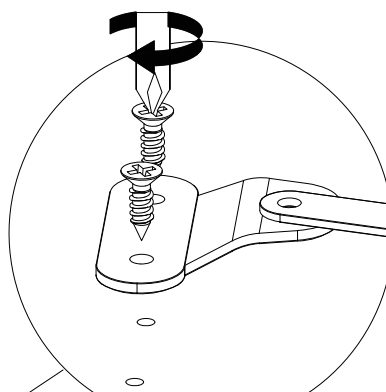
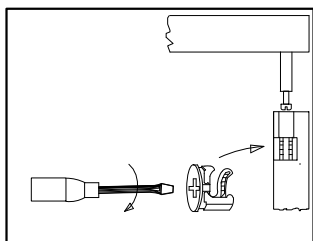


# 1

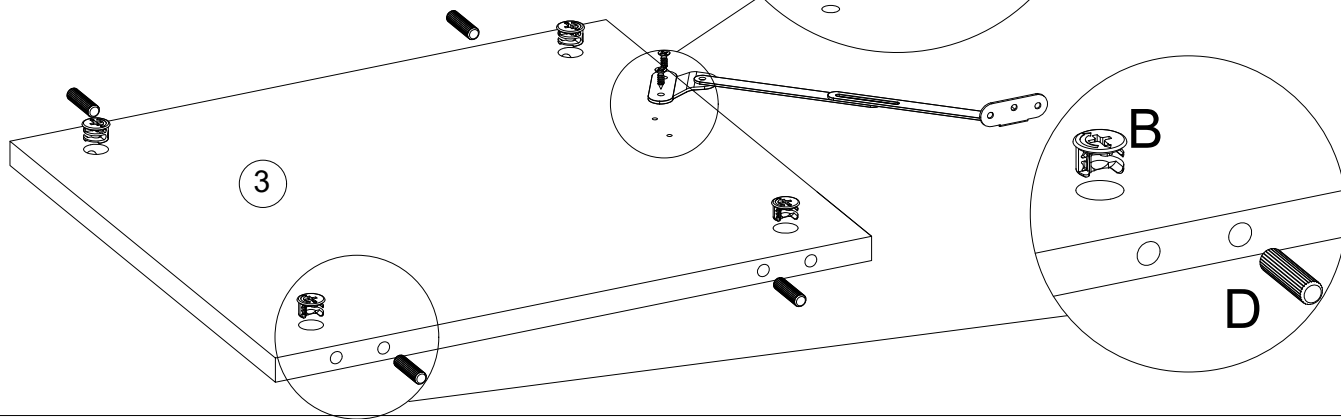


$\varnothing 8.0.35$  D 4	$\varnothing 15 \times 12$  B 4
------------------------------------	--

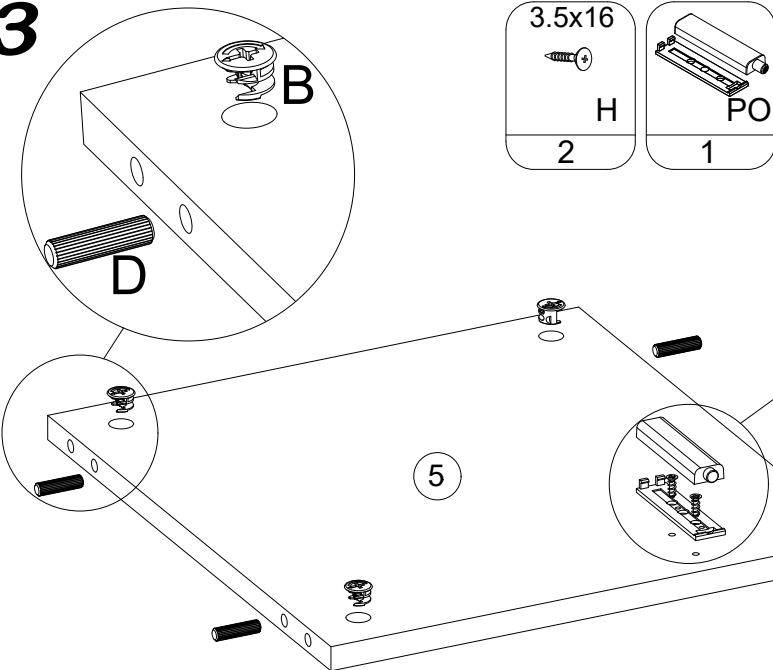
# 2



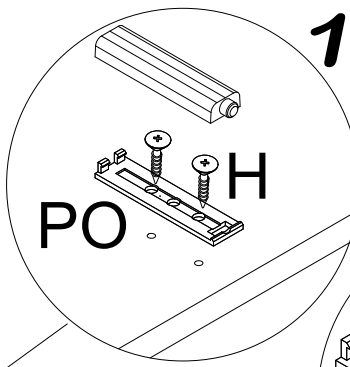
 H 2	 RO 1
$\varnothing 8.0.35$  D 4	$\varnothing 15 \times 12$  B 4



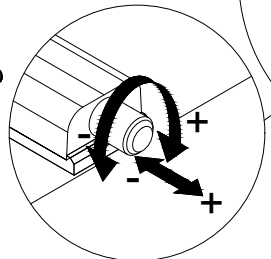
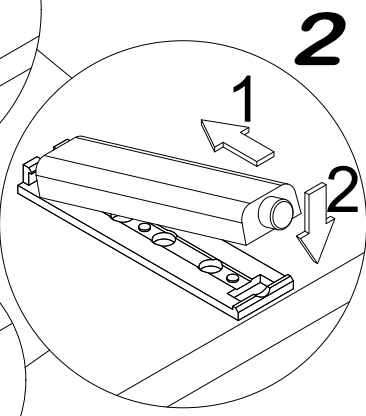
# 3



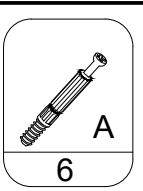
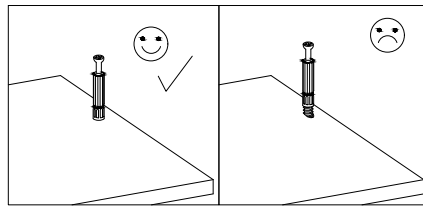
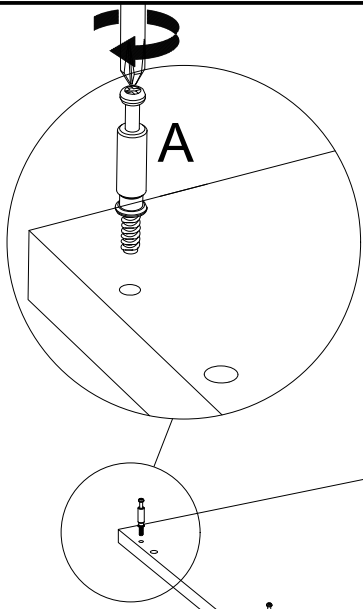
$3.5 \times 16$  H 2	 PO 1
-------------------------------	-------------



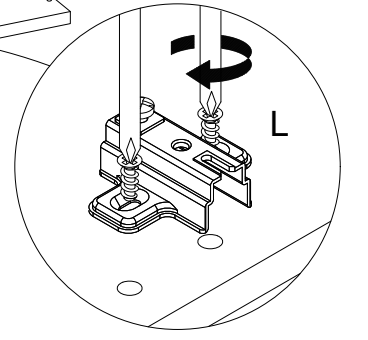
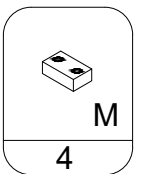
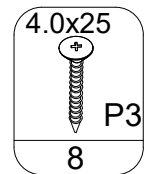
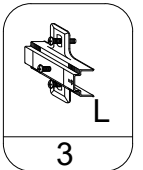
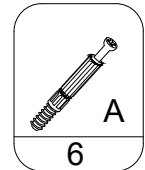
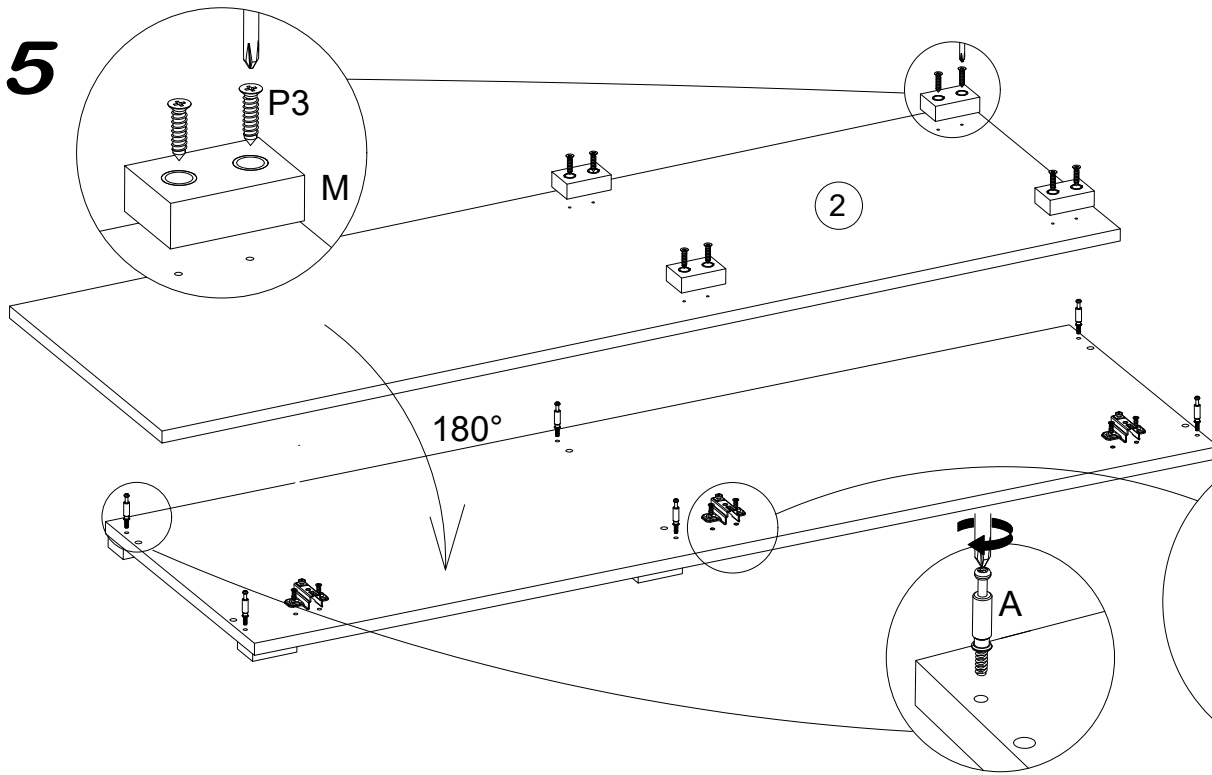
$\varnothing 8.0.35$  D 4	$\varnothing 15 \times 12$  B 4
------------------------------------	--



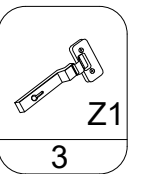
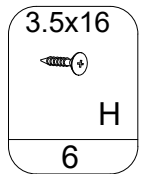
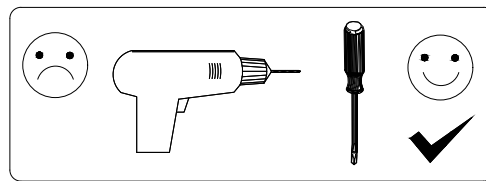
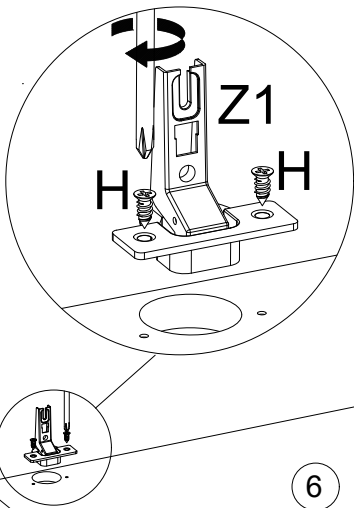
4



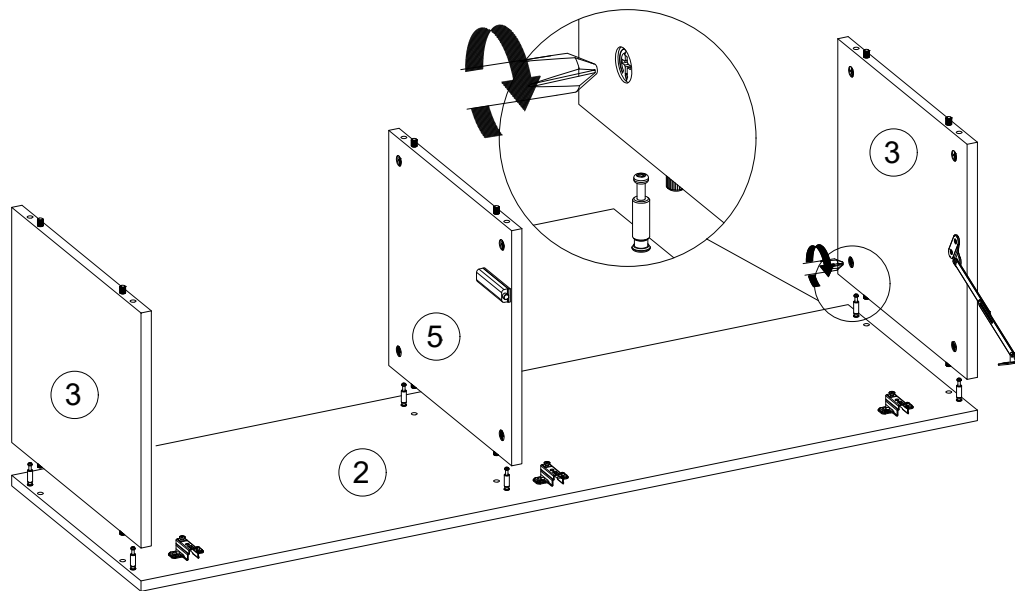
5



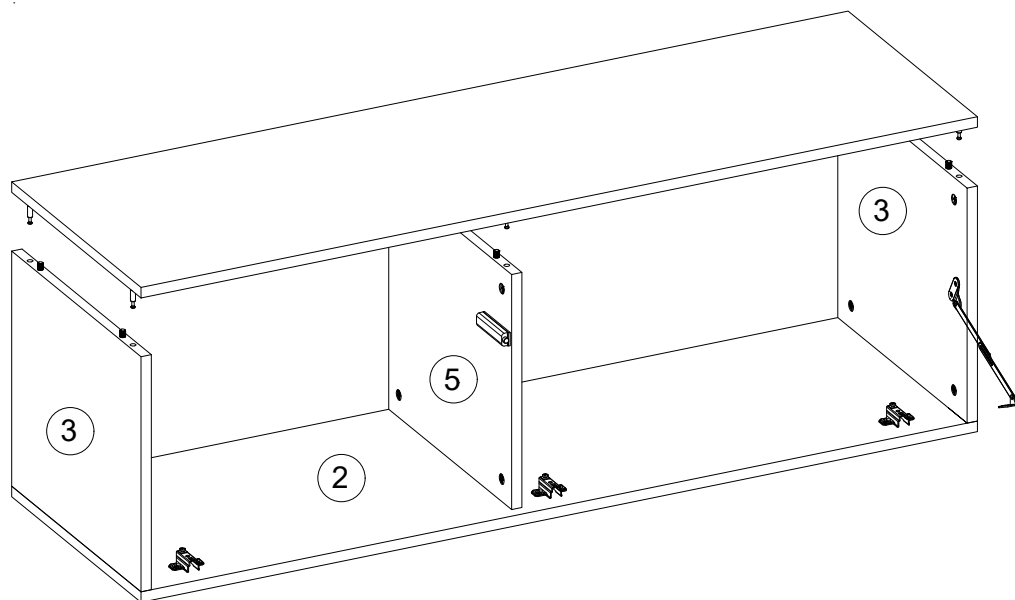
6



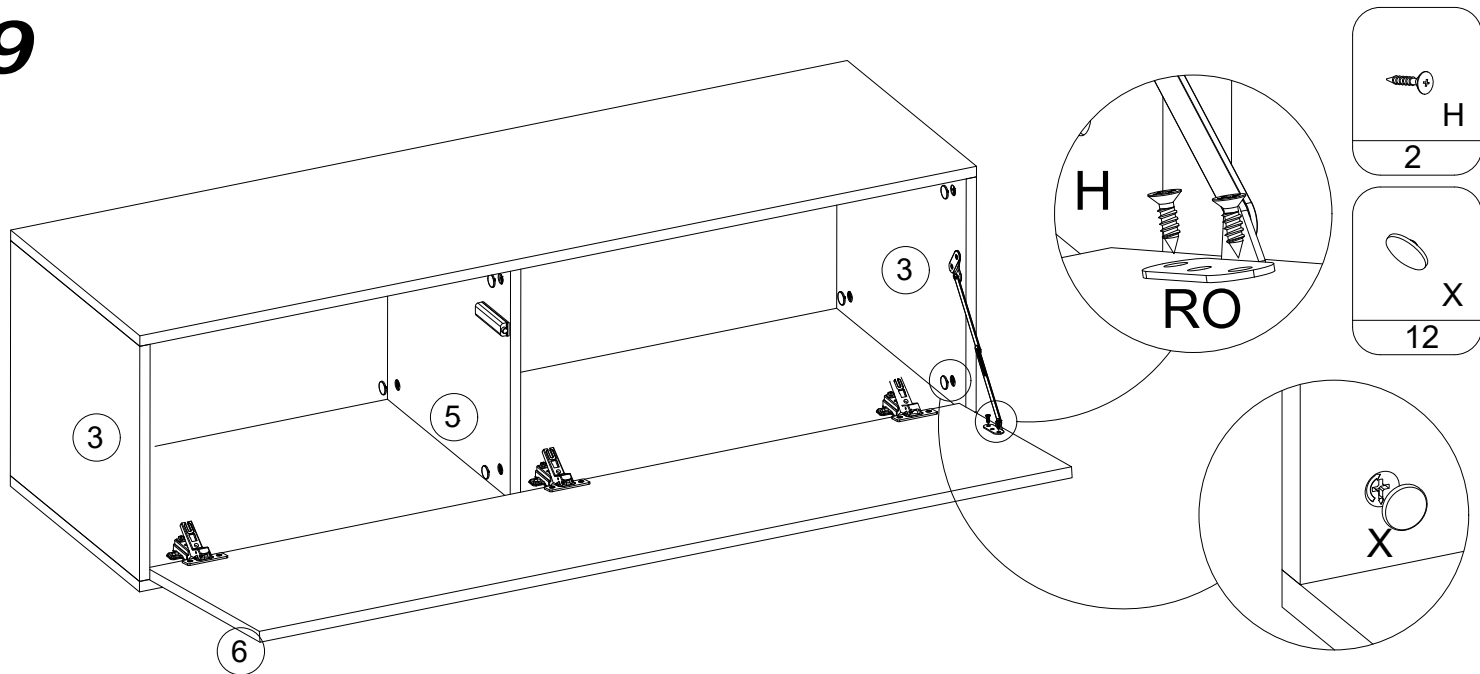
7



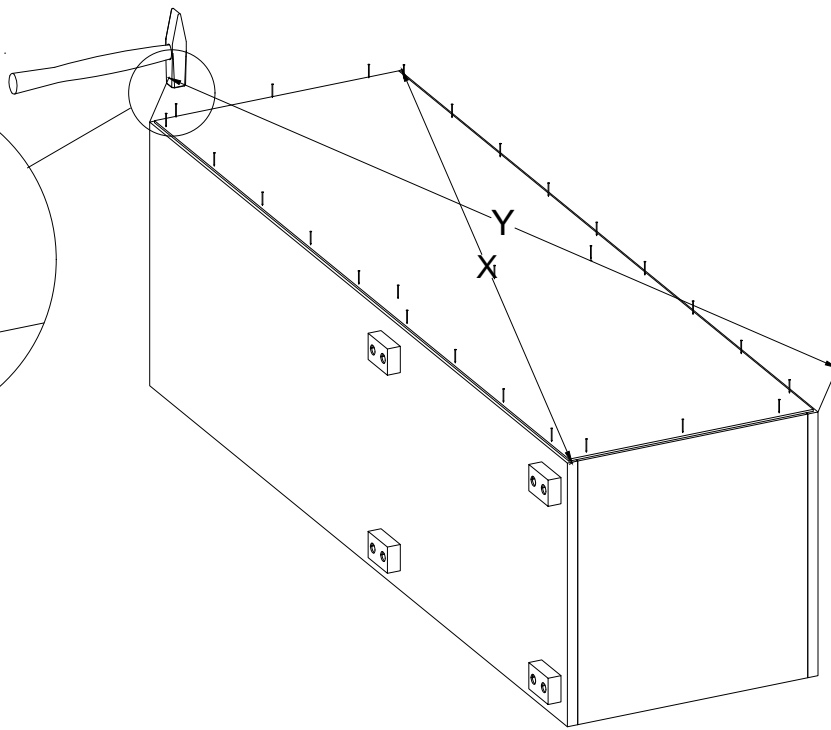
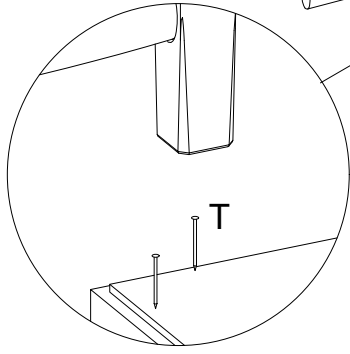
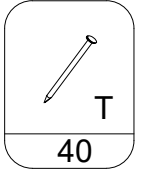
8



9



# 10



# X=Y

