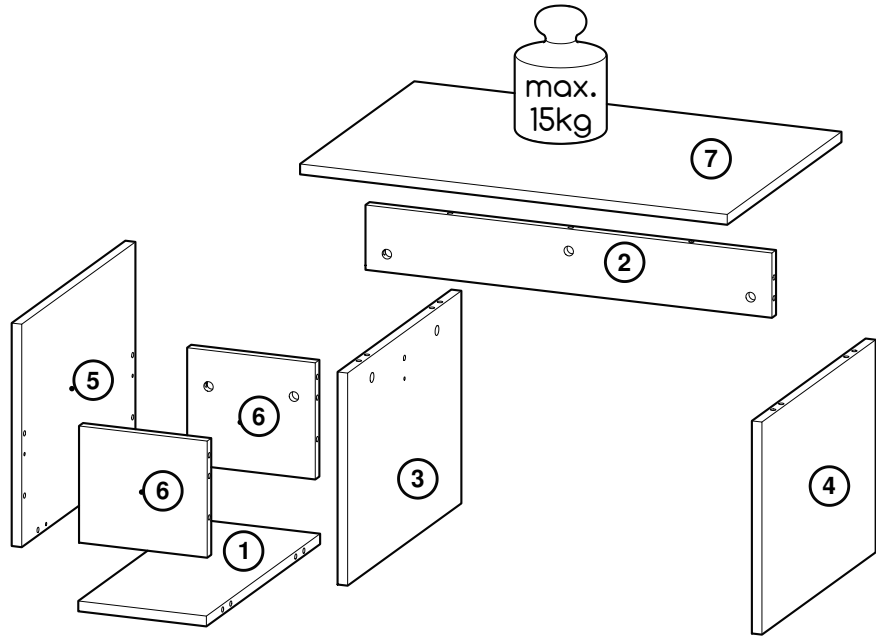




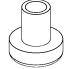
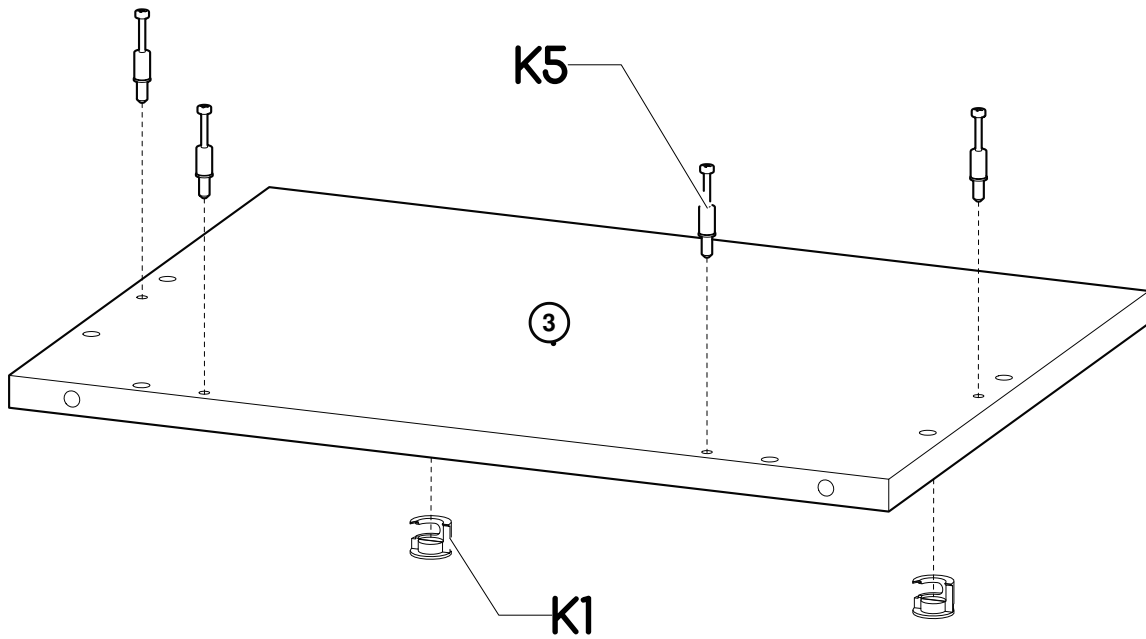
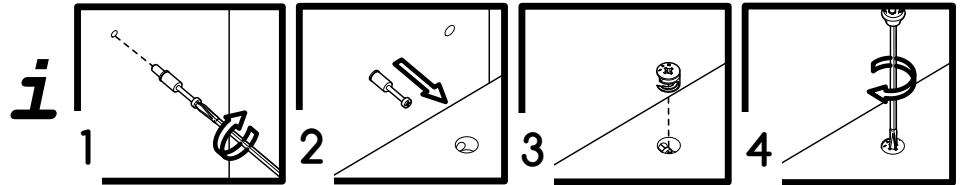


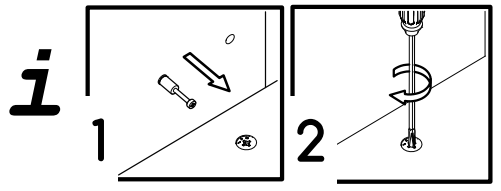
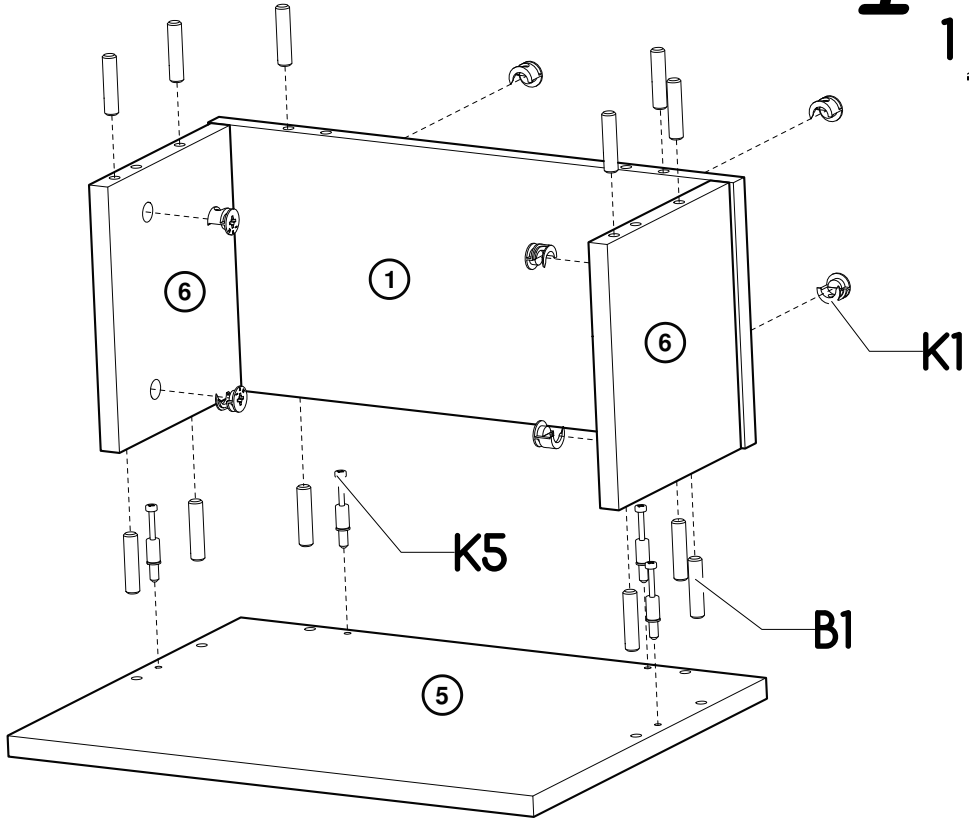
Nr	Xmm	Ymm	Zmm	x
1	204	448	16	1
2	647	100	16	1
3	328	448	16	1
4	328	448	16	1
5	344	448	16	1
6	180	204	16	2
7	680	450	16	1



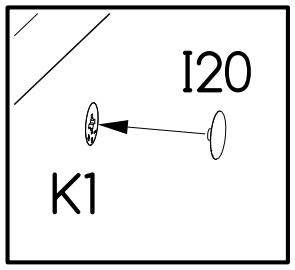
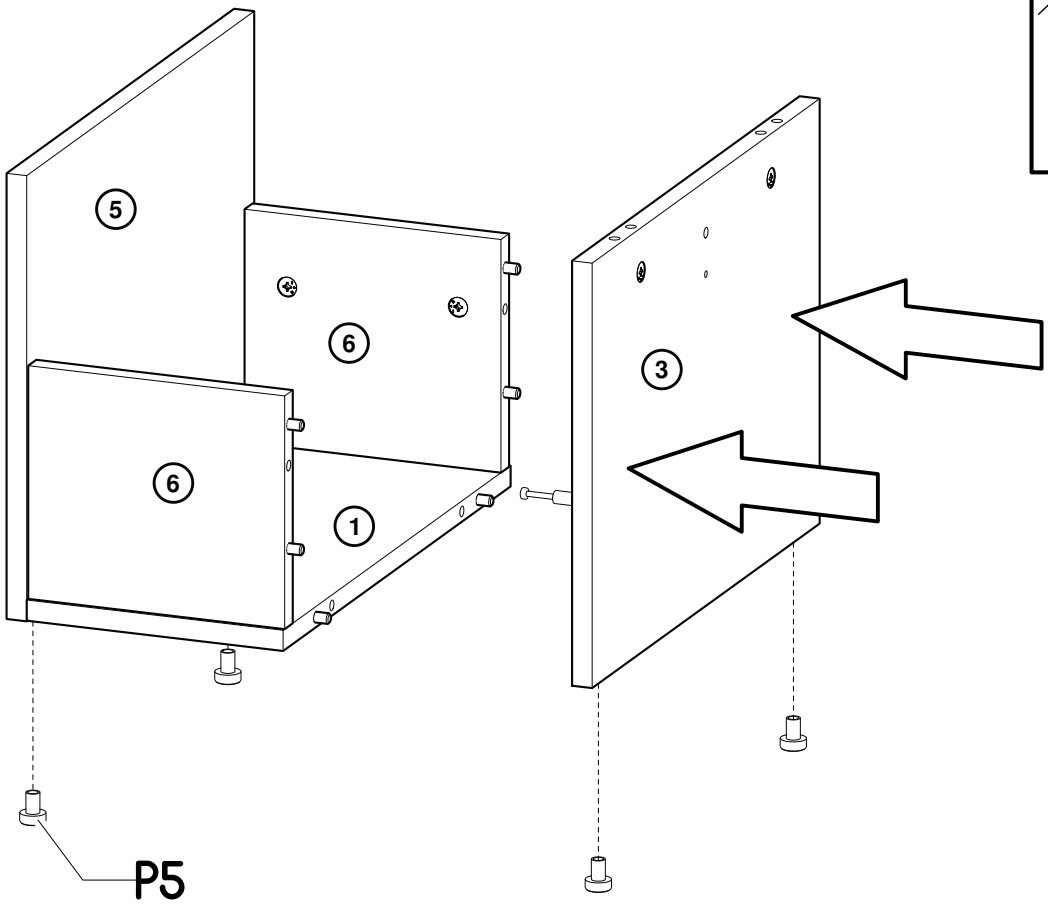
B1 20x Ø8x35		K1 15x Ø15x12		K5 15x 34mm		I20 11x Ø4/Ø17		P5 6x H 6		
---------------------------	---	----------------------------	---	--------------------------	---	-----------------------------	--	------------------------	---	--



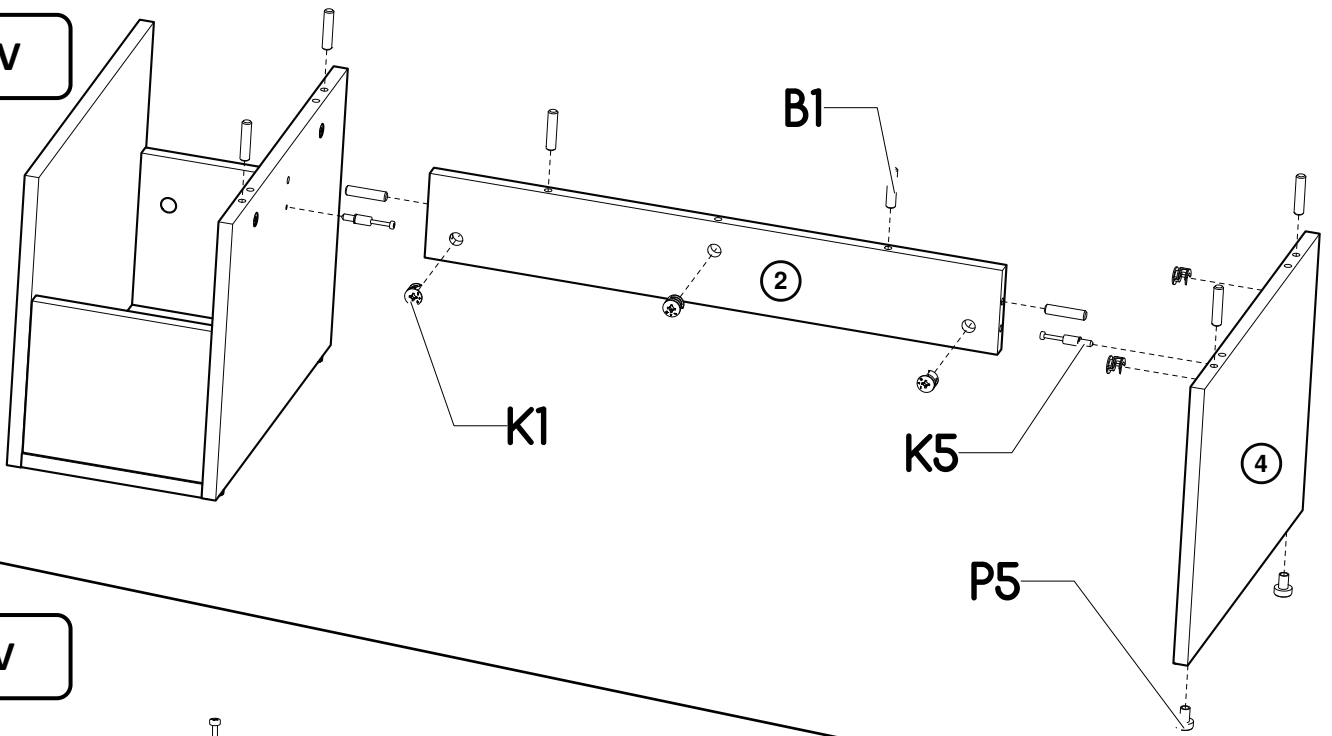
II



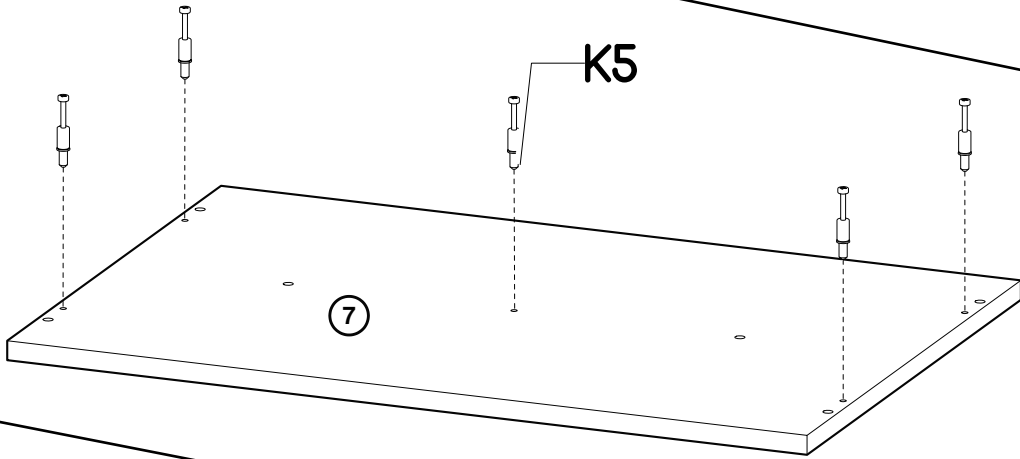
III



IV



V



VI

