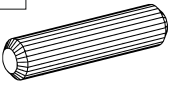
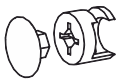
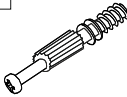
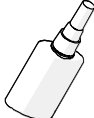
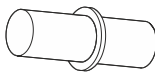

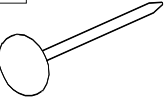
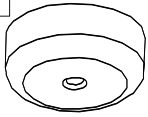
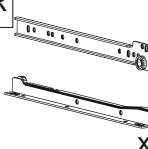
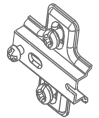
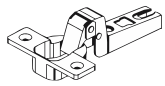


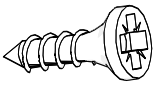
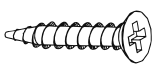
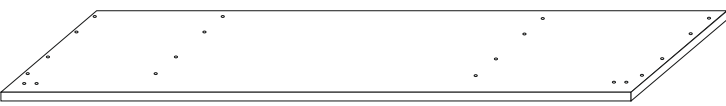

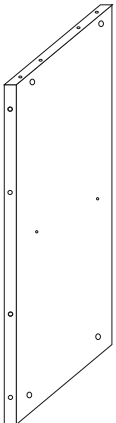
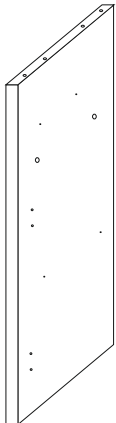
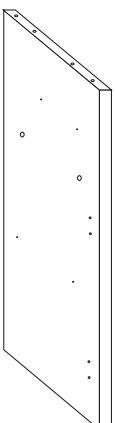
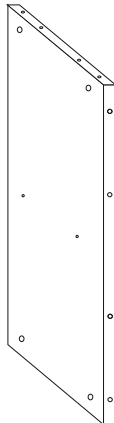


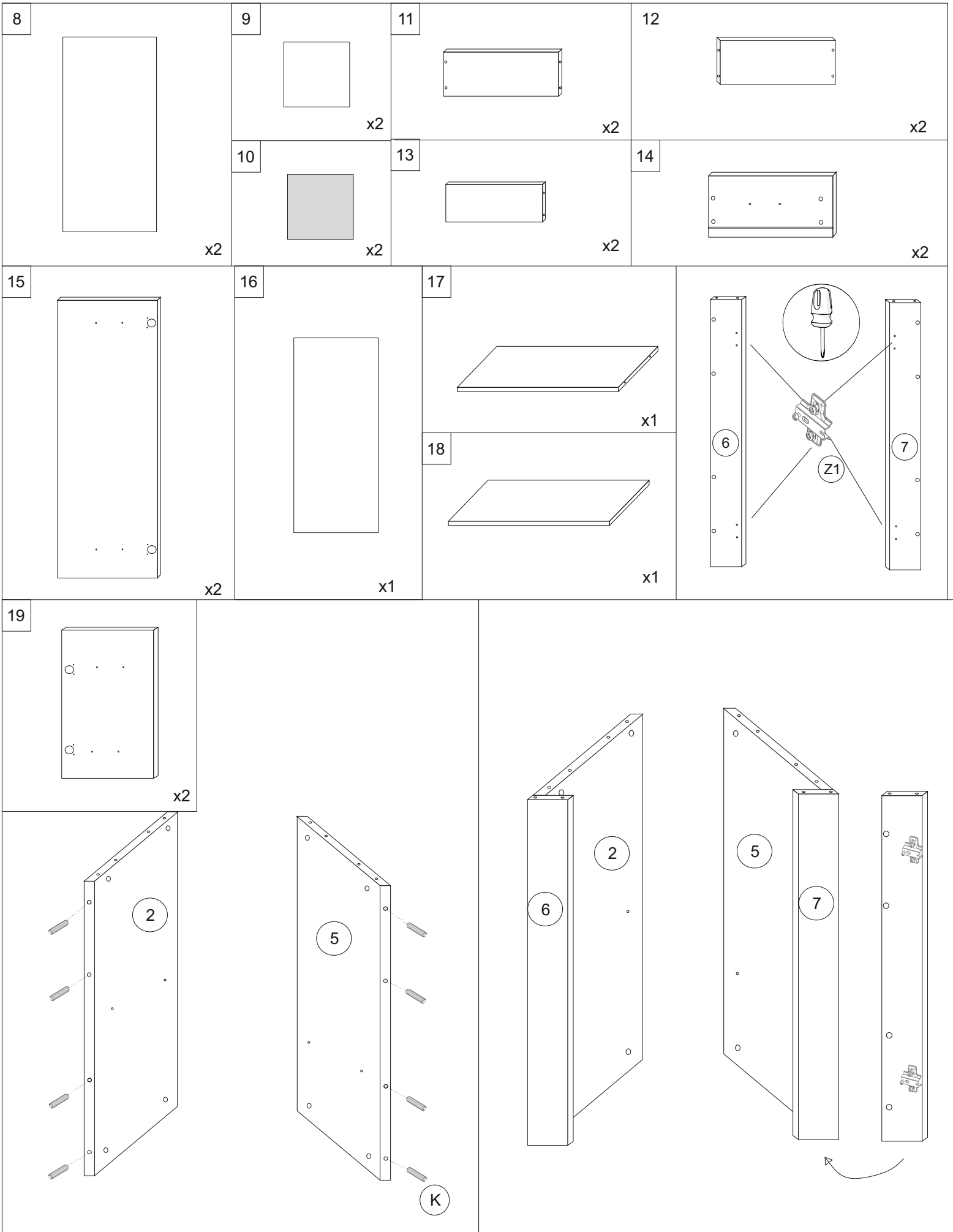


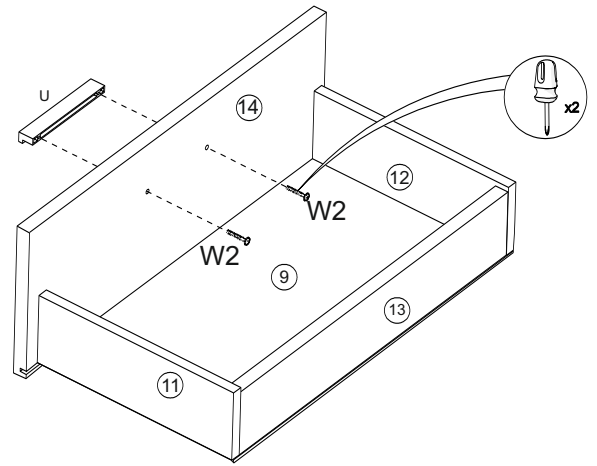
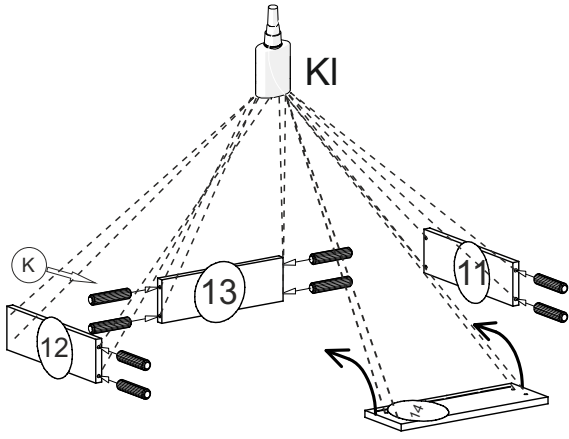
<b>K</b>  x64	<b>M.</b>  x16	<b>T</b>  x16	<b>KL</b>  x2	<b>P.</b>  x8	<b>U</b>  x6	<b>G</b>  x40
<b>N</b>  x5	<b>PR</b>  x4	<b>Z1</b>  x4	<b>Z2</b>  x4	<b>W1 EURO</b>  x24	<b>W2 4x27</b>  x12	<b>W3 3,5x15</b>  x24

<b>W4 3,5x20</b>  x5
--

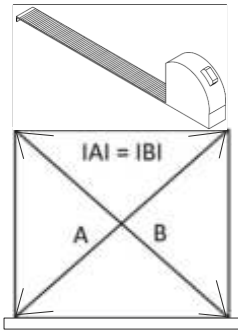
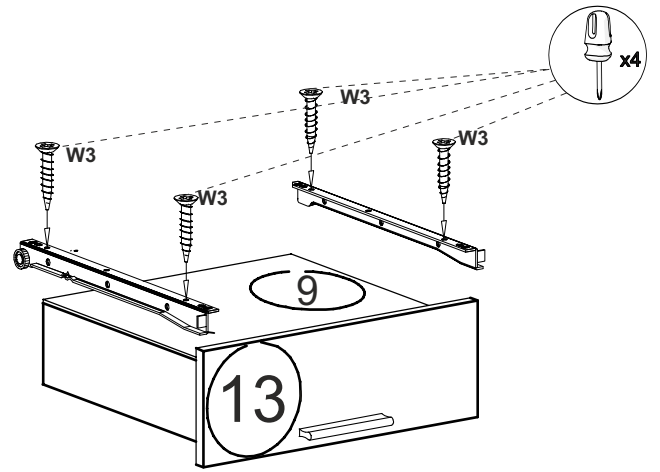
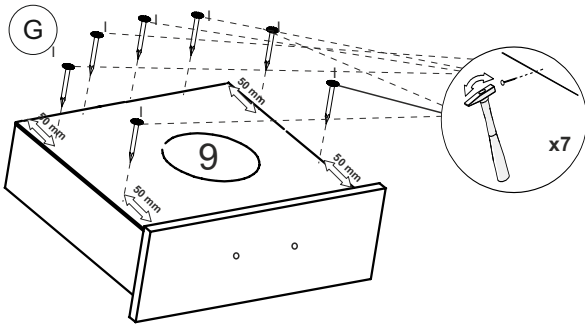
<b>1</b>  x1	<b>1a</b>  x1
--	---

<b>2</b>  x1	<b>3</b>  x1	<b>4</b>  x1	<b>5</b>  x1	<b>6</b>  x1	<b>7</b>  x1
---	---	---	--	---	---





x4



x2

