
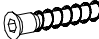





G

7 x 50 x8

A

7 x 70 x8

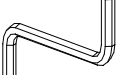
B

8 x 30 x24

C

x6

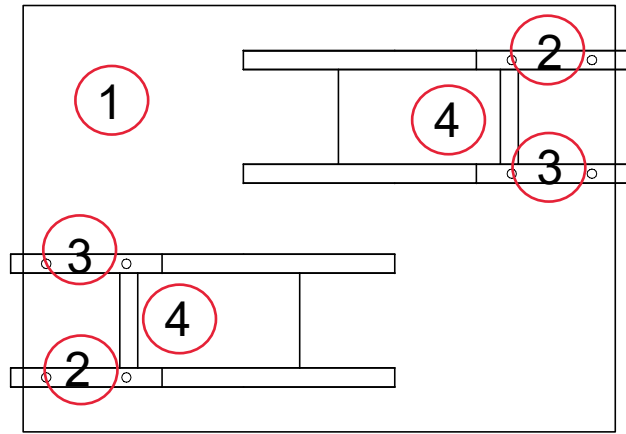
D

6,3 x 25 x6

E

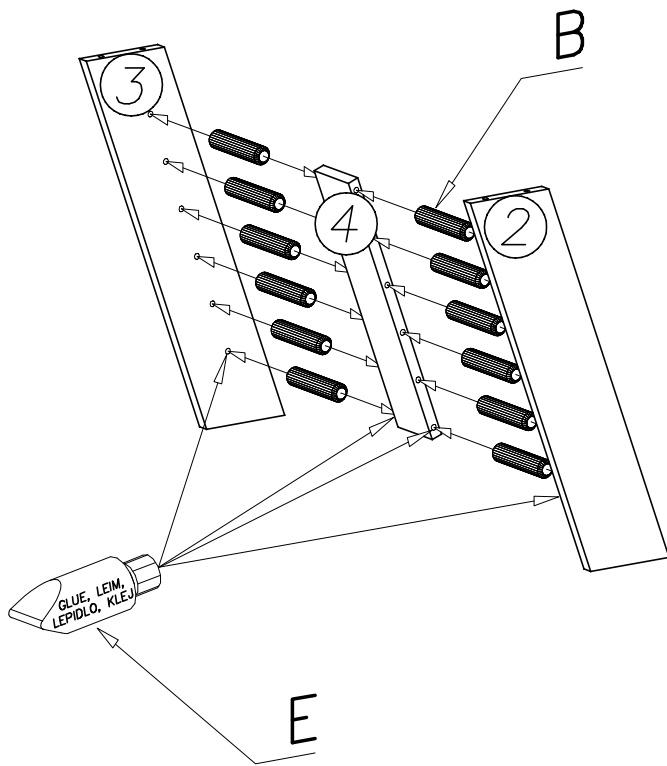
GLUE, LEIM, LEPIDLO, KLEJ
x1

F

x1

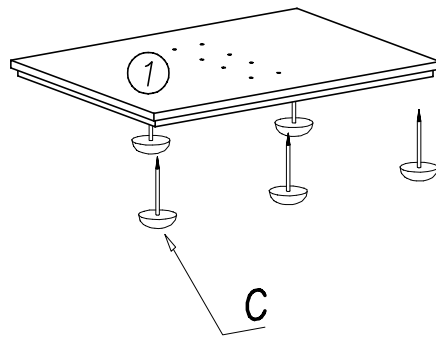
1



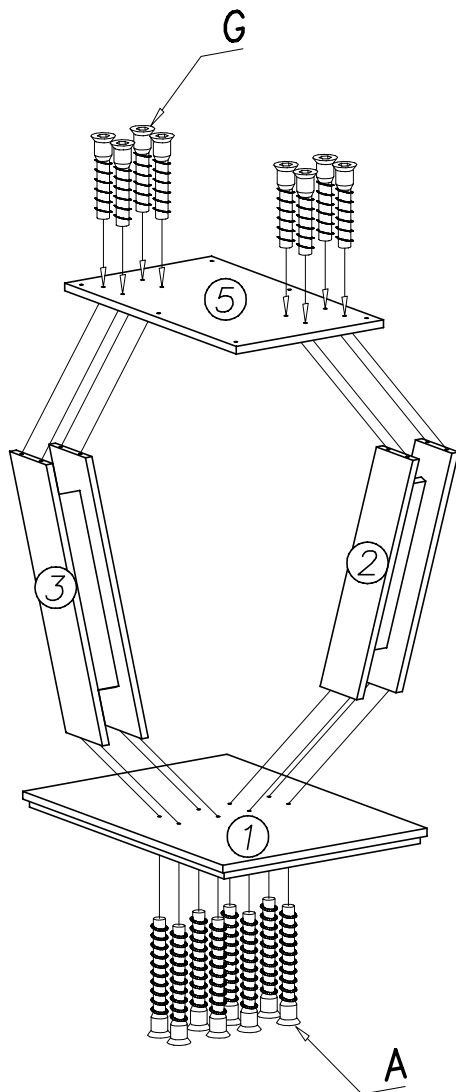
x2



II



III



IV

