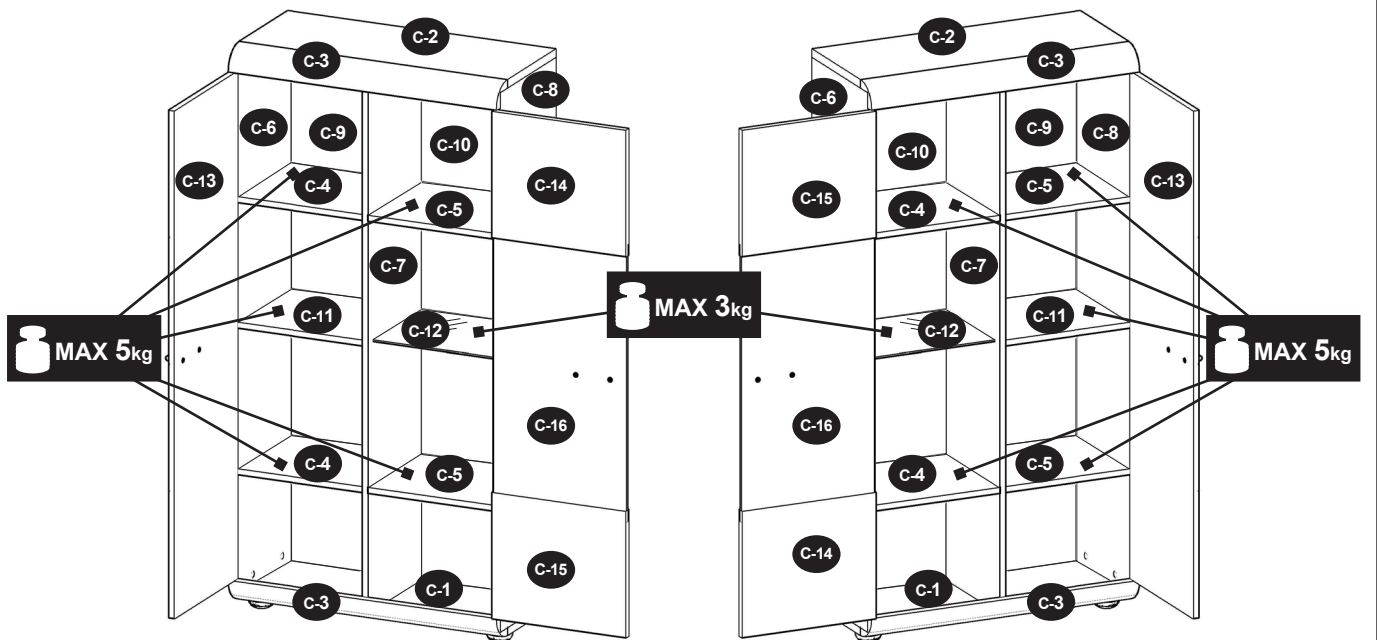


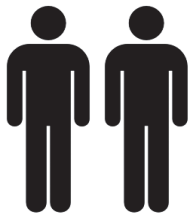
CL

CR

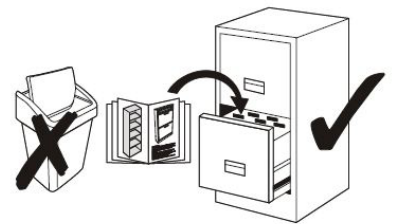
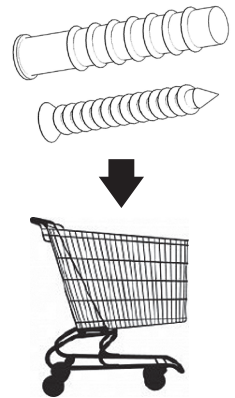
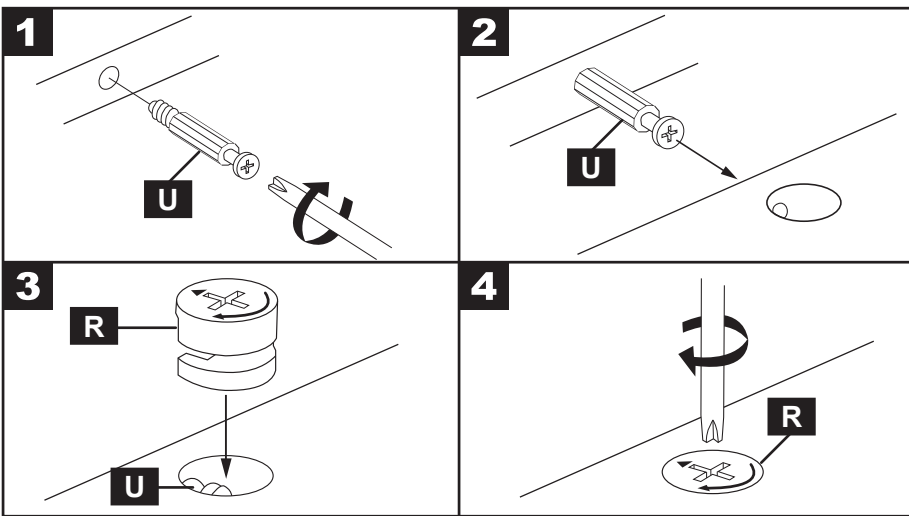
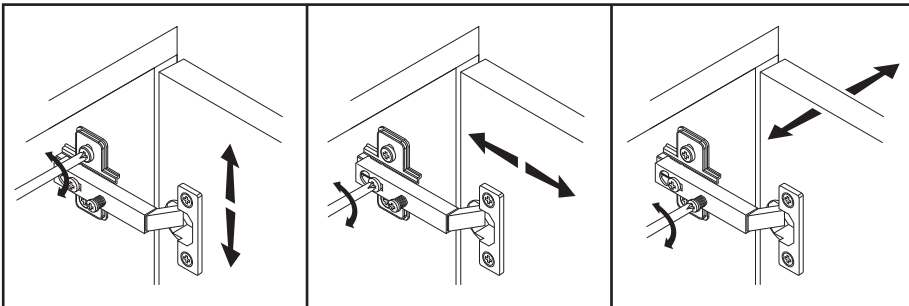
C



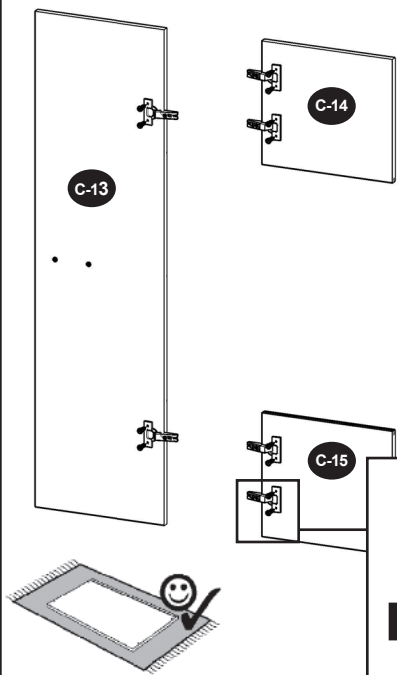
70 min.



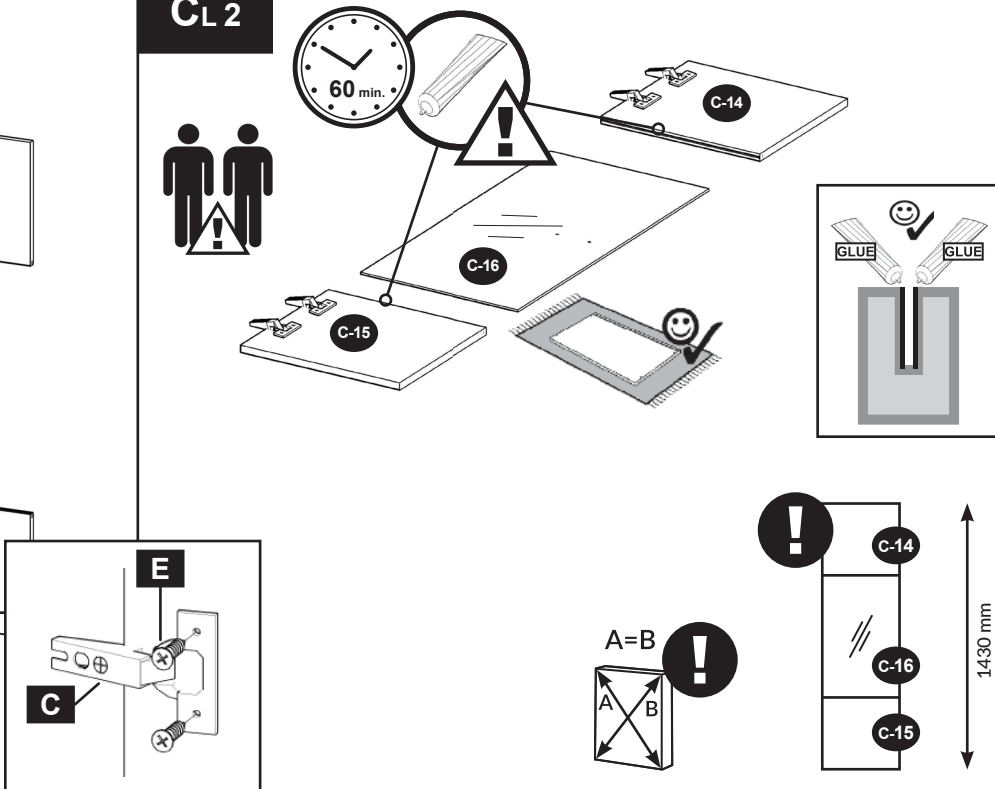
B 8x32 x24	B3 8x50 x4	C x6	D x6	E 3,5x13 x13	E2 3x20 x14
E3 4x27 x2	E5 4x16 x2	EH 4x22 x5	G3 h=15 x5	H1 x10	M x2
P x4	P2 x4	Q x2	Q2 x6	R x32	T 6,3x13 x12
U x24	U2 x4	W1 x1	Z x32	Z2 x1	 x1



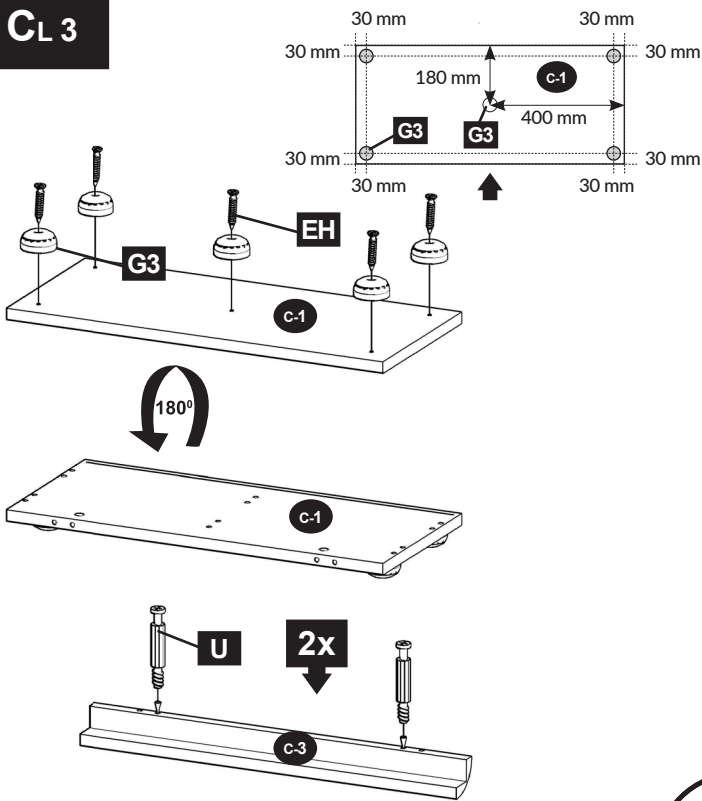
CL 1



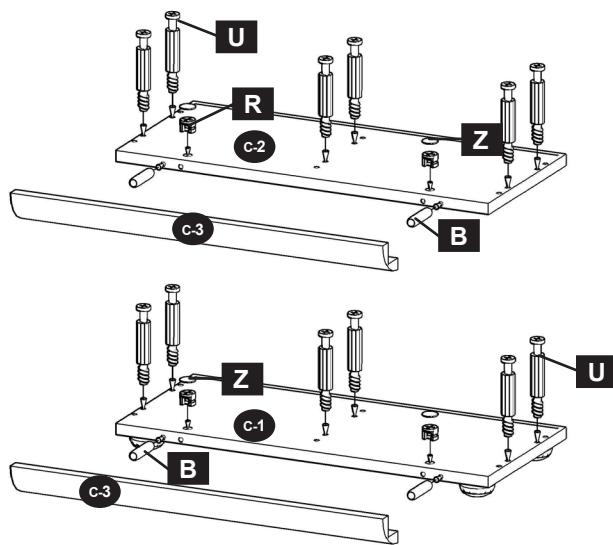
CL 2



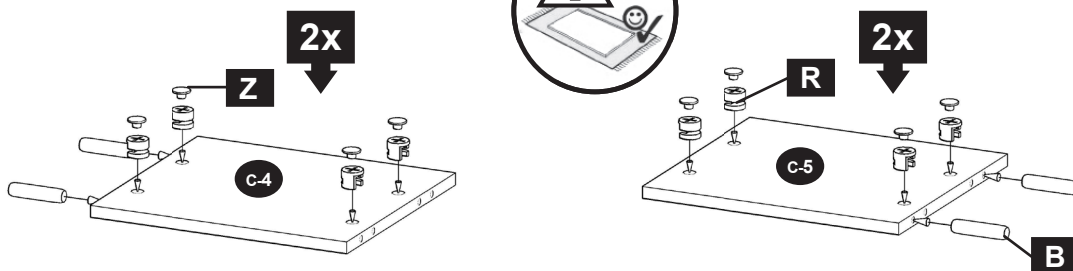
CL 3



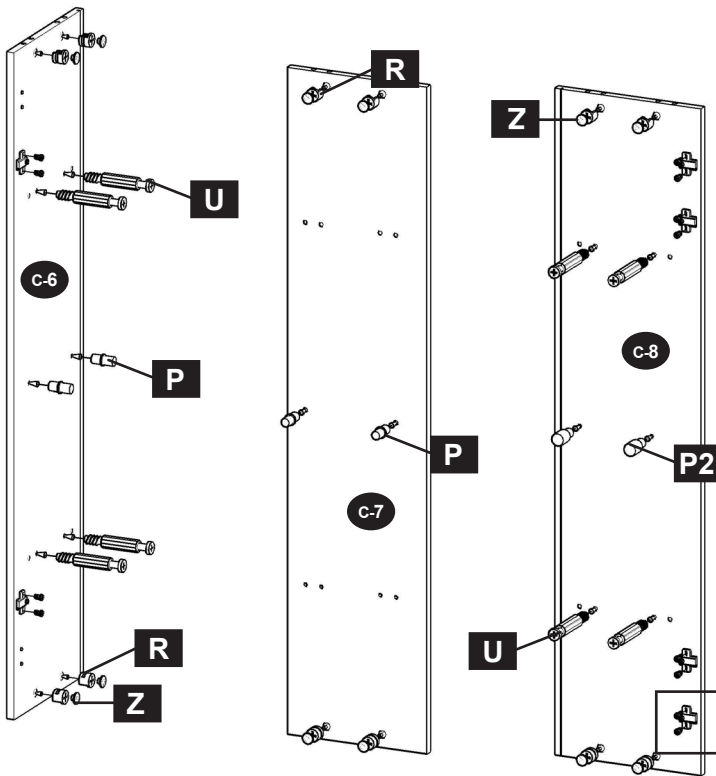
CL 4



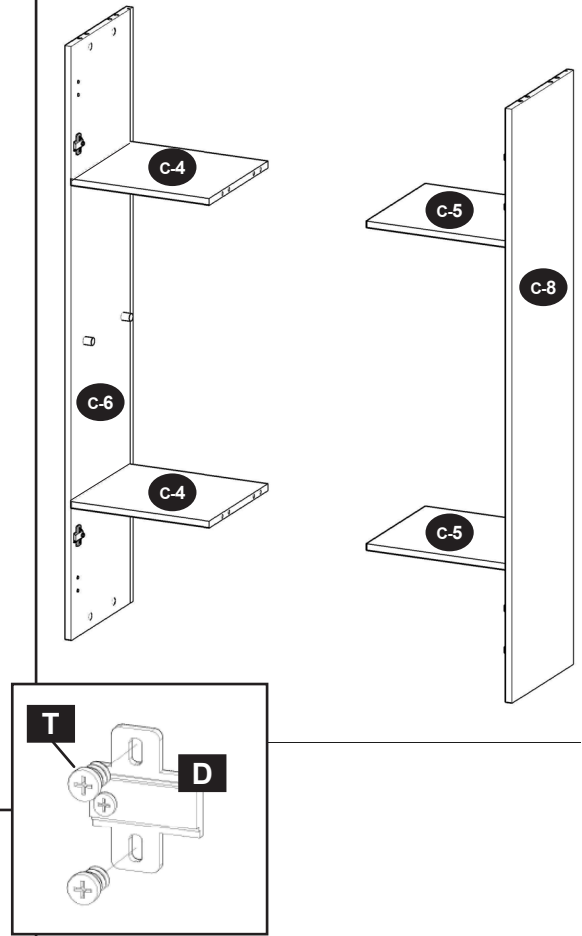
CL 5



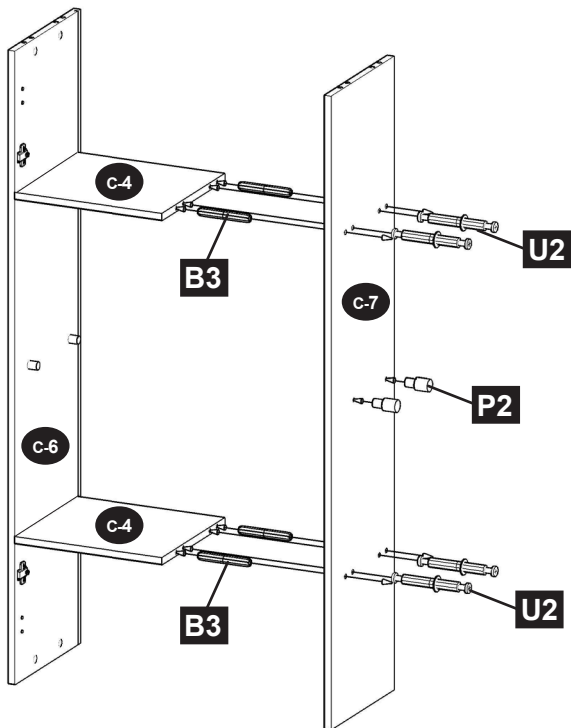
CL6



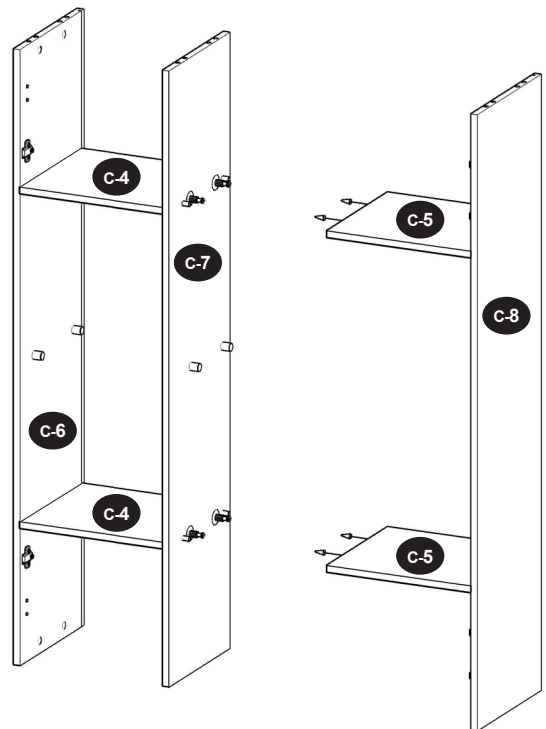
CL7



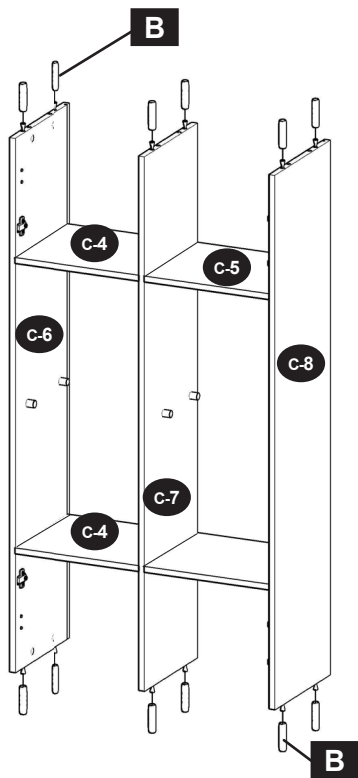
CL8



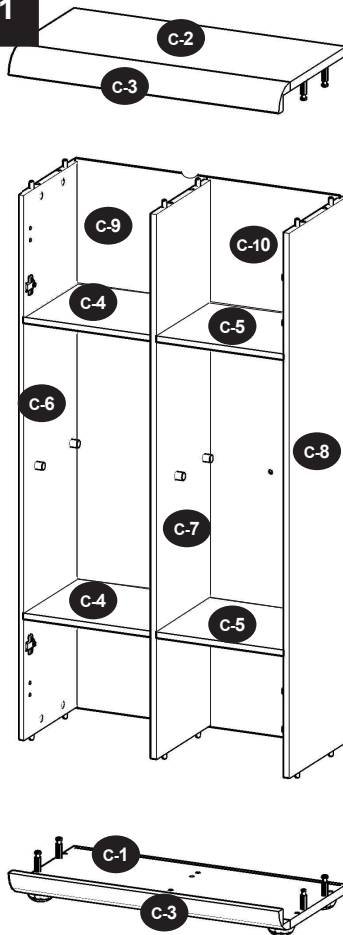
CL9



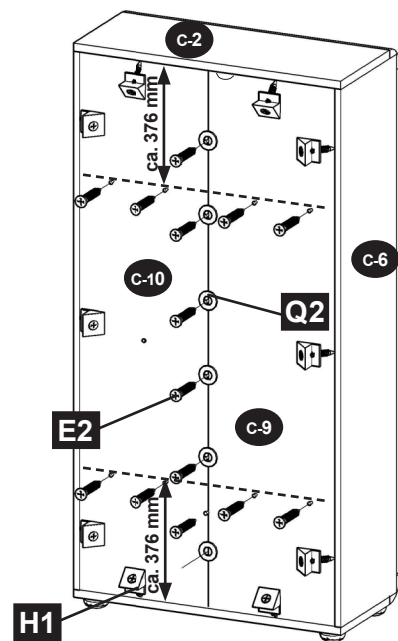
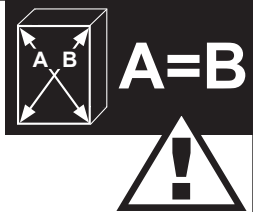
CL 10



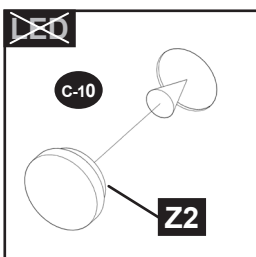
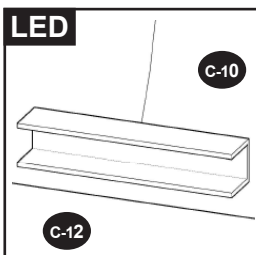
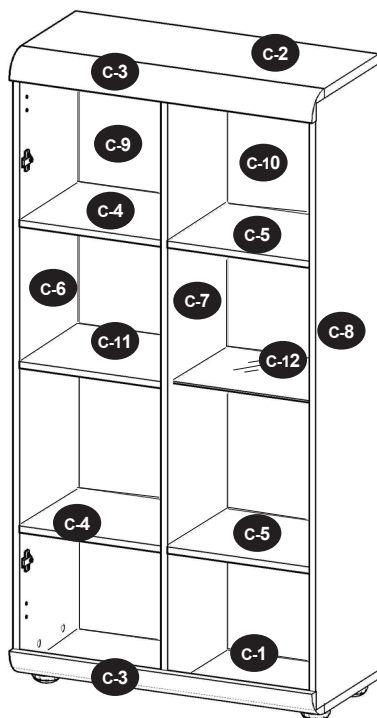
CL 11



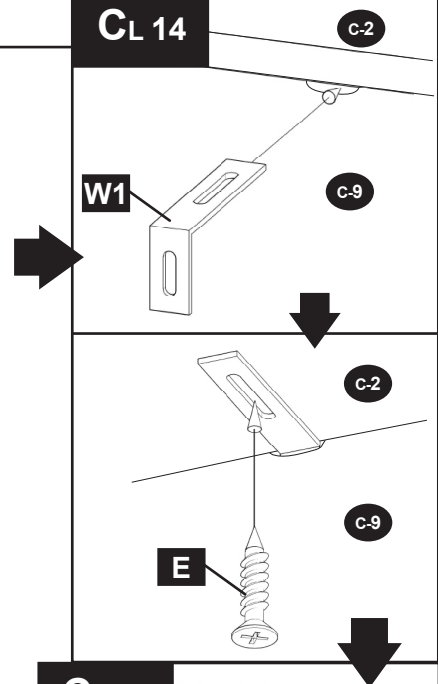
CL 12



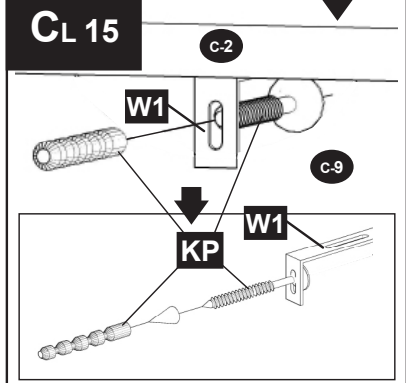
CL 13

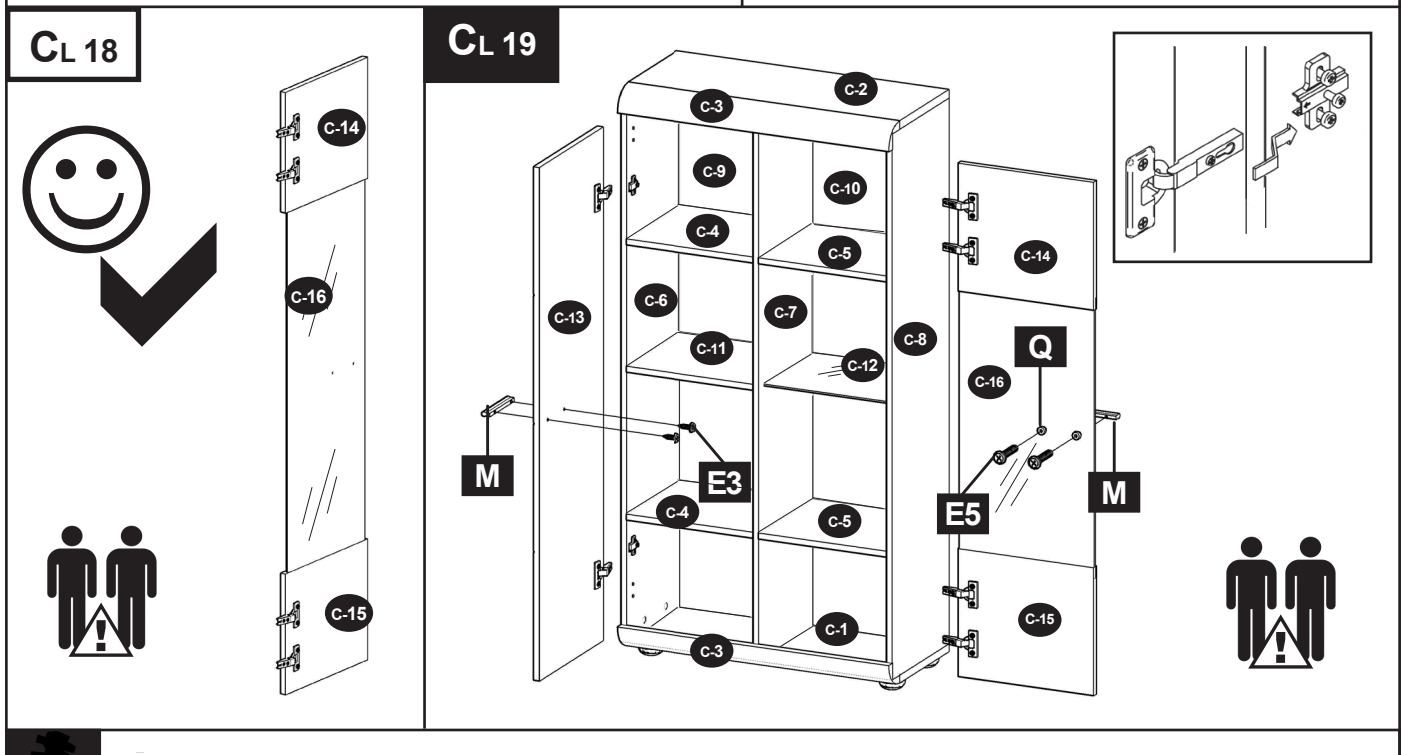
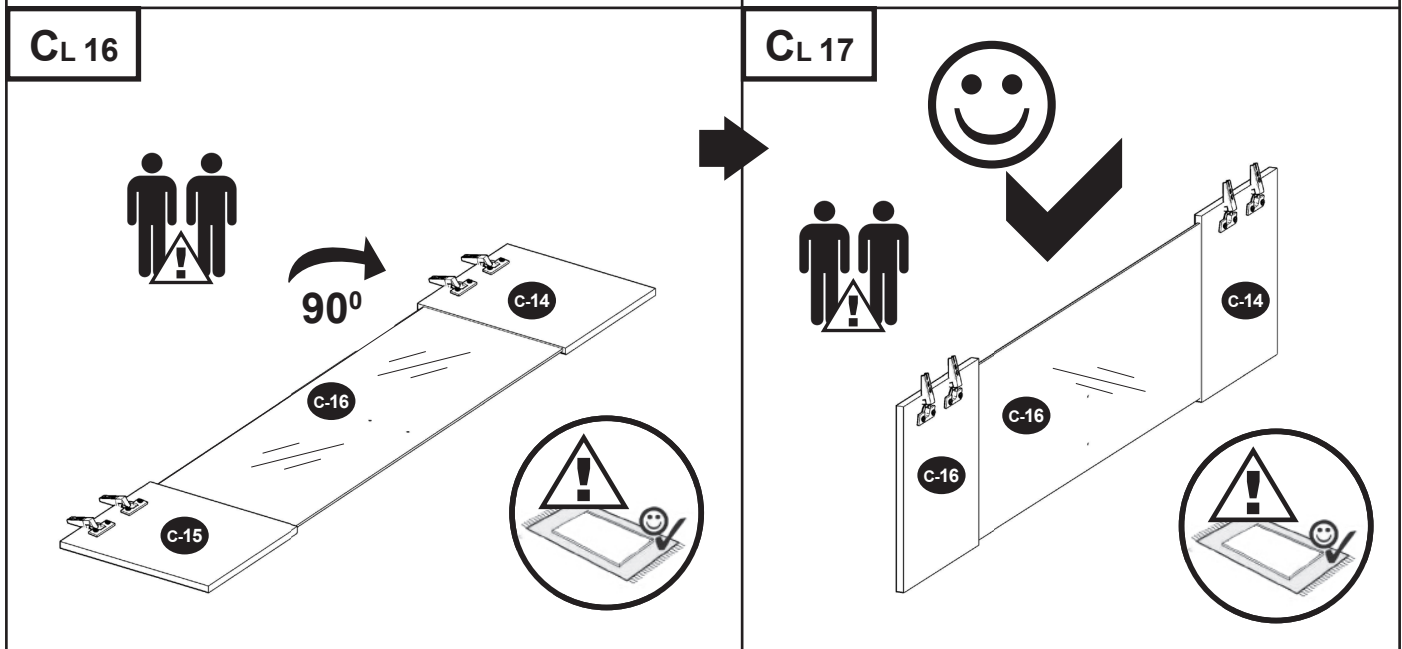
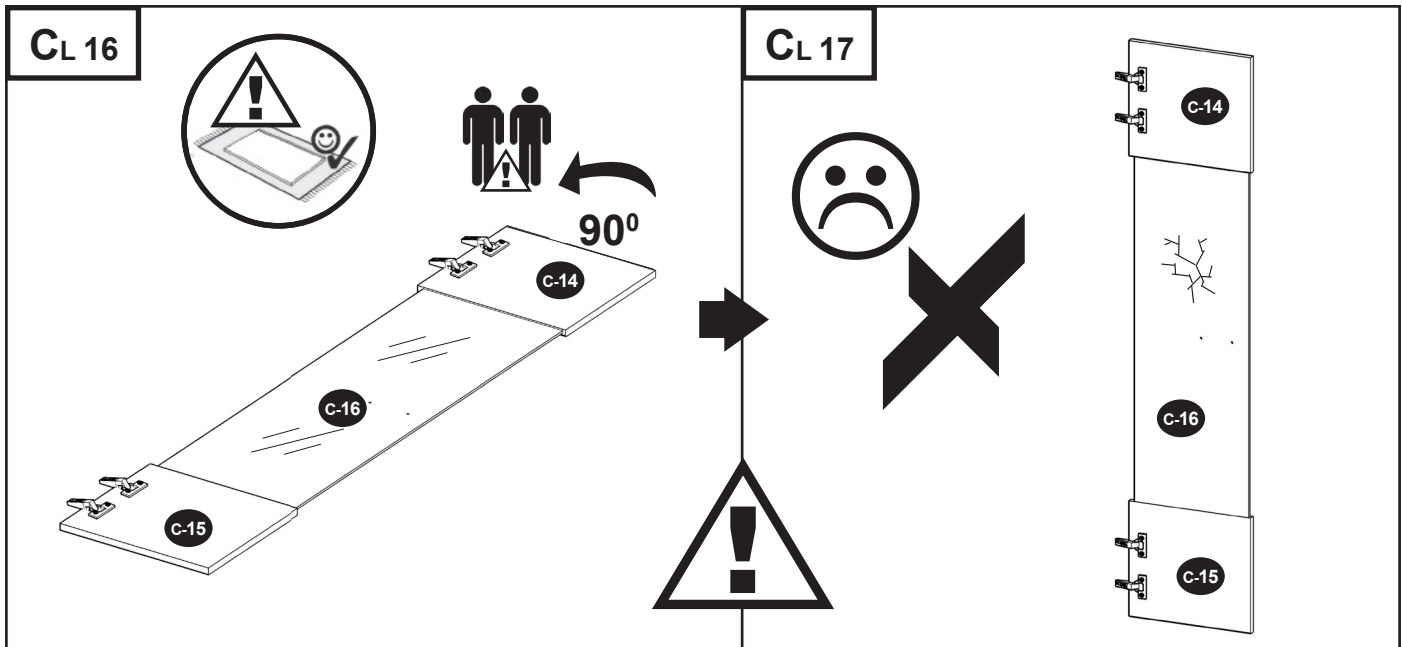


CL 14

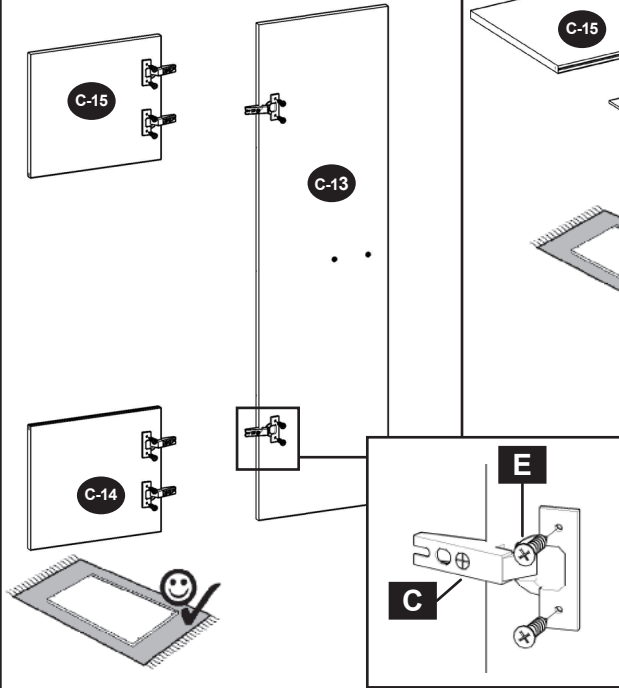


CL 15

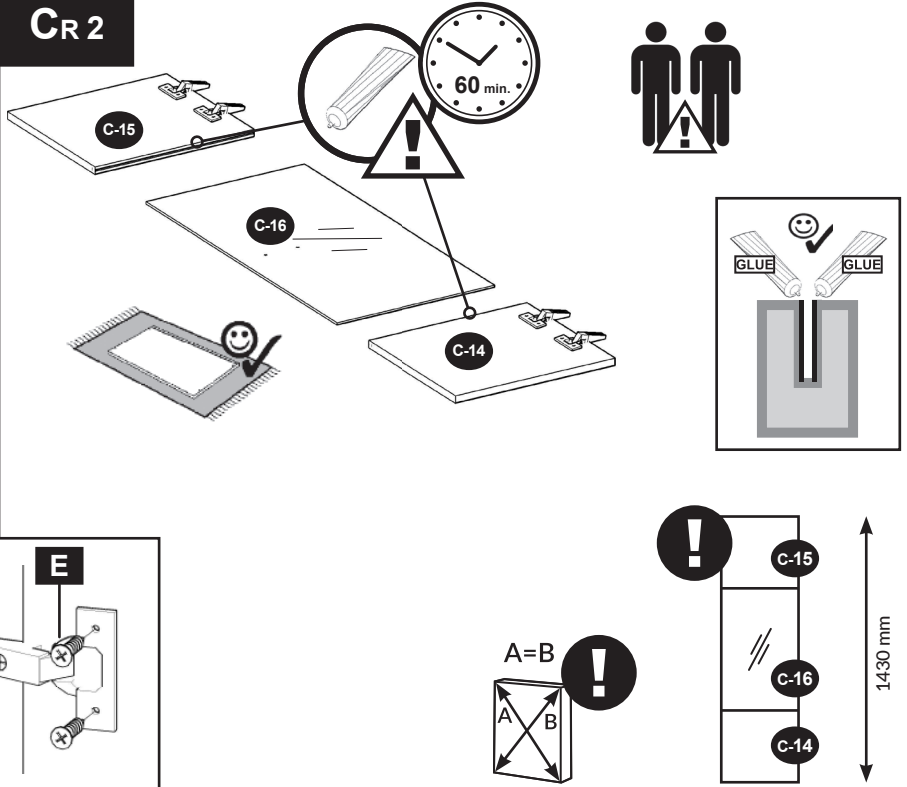




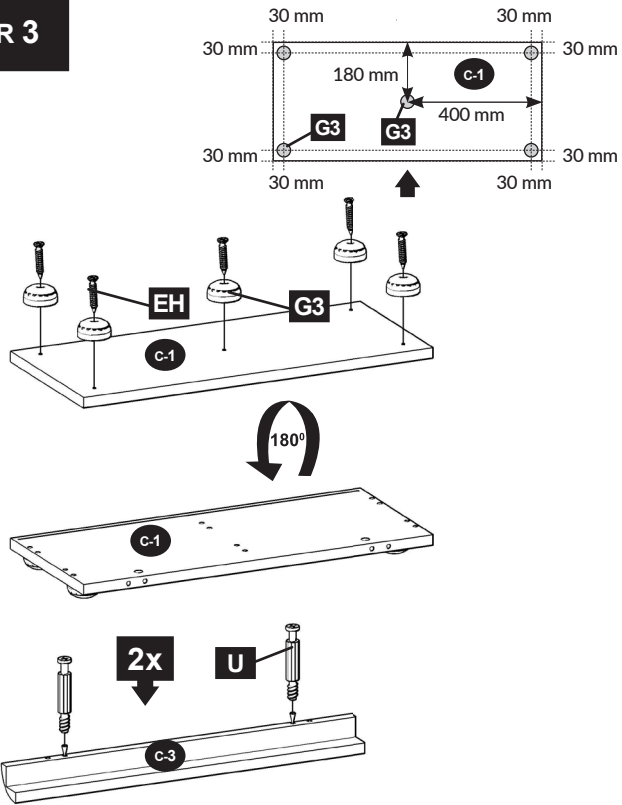
CR 1



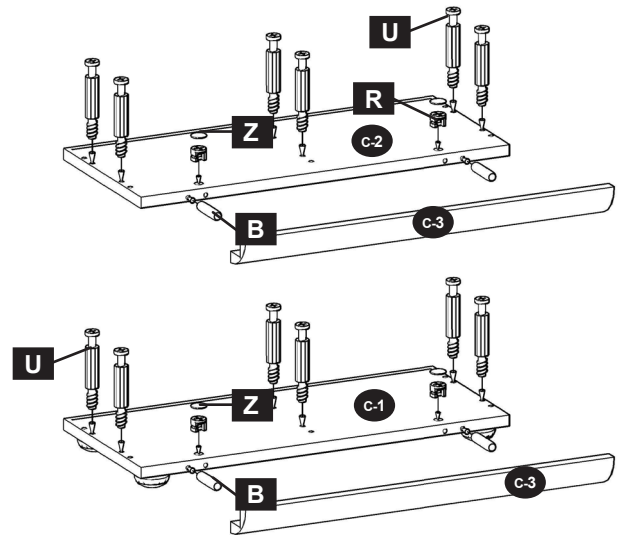
CR 2



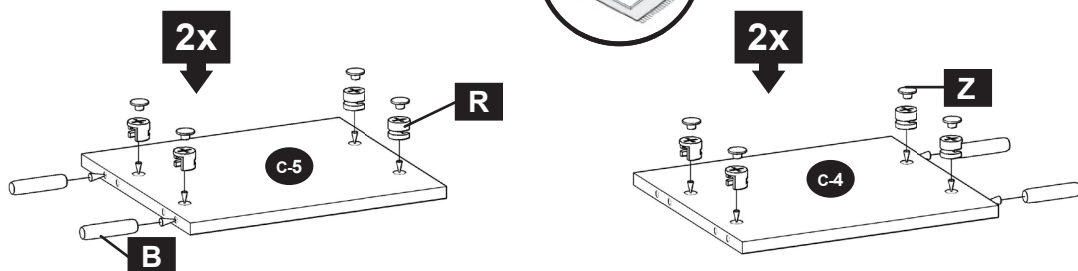
CR 3

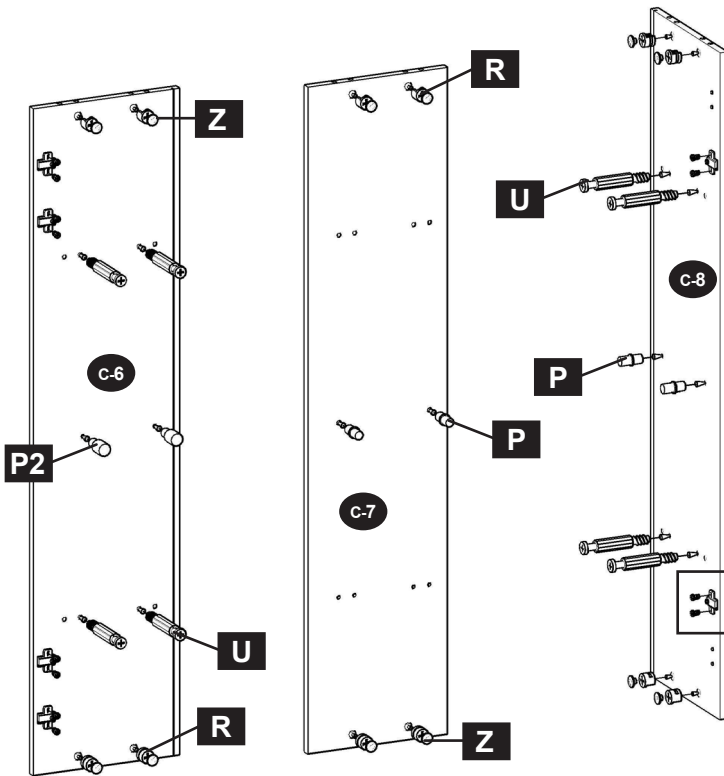
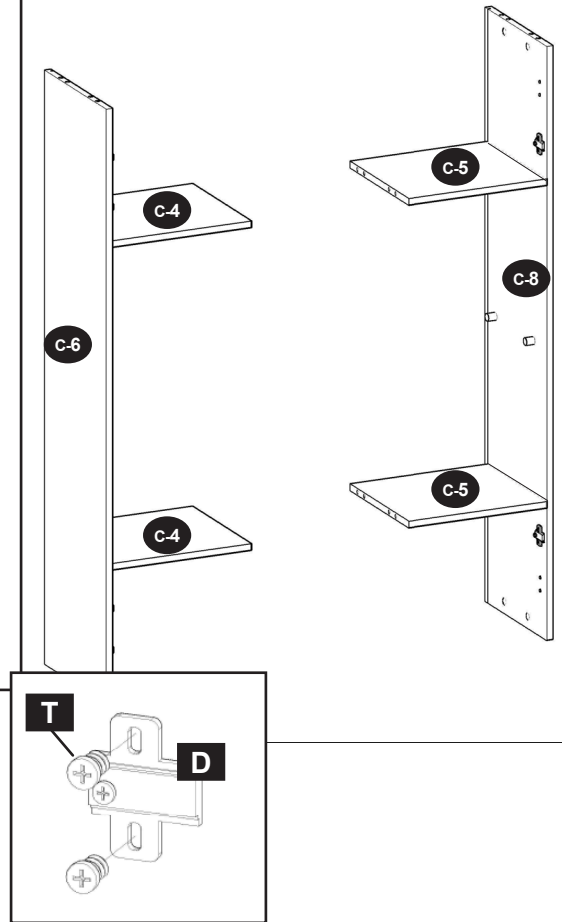
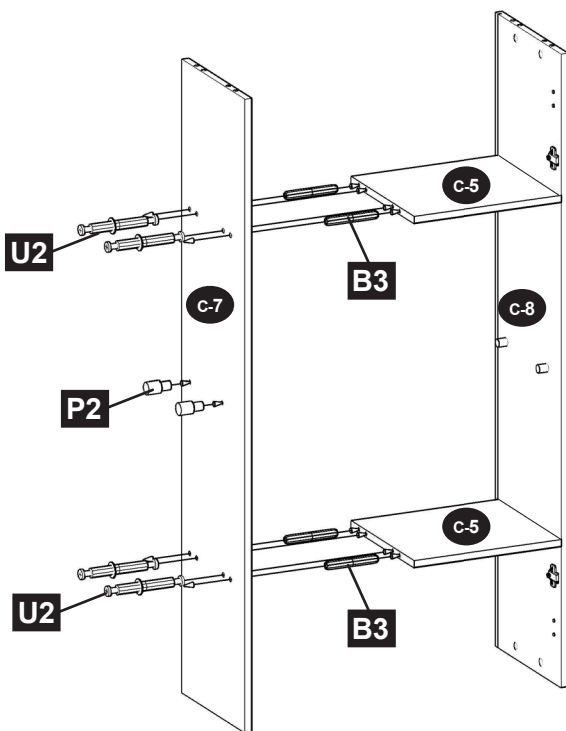
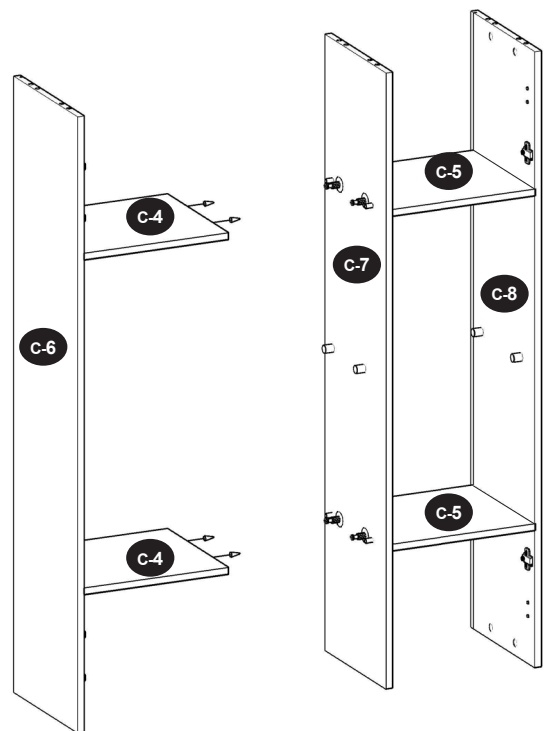


CR 4

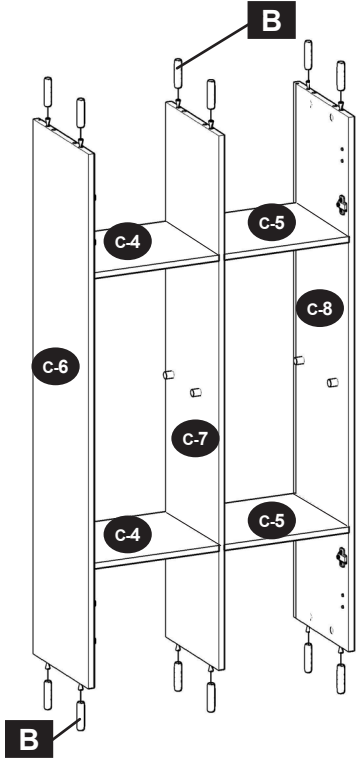


CR 5

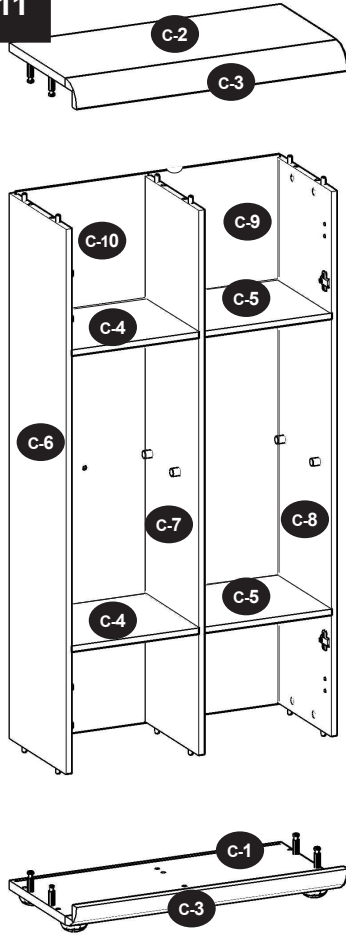


CR 6**CR 7****CR 8****CR 9**

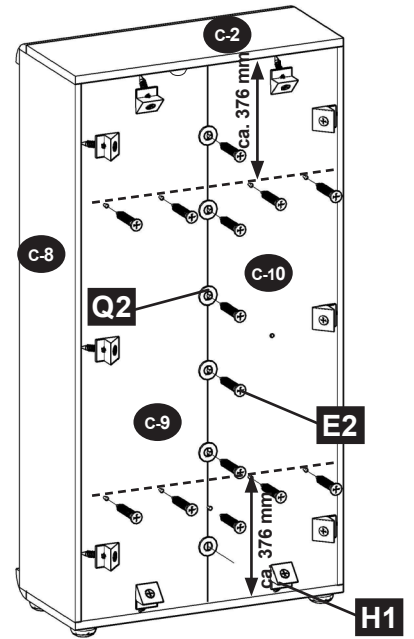
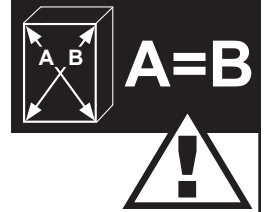
CR 10



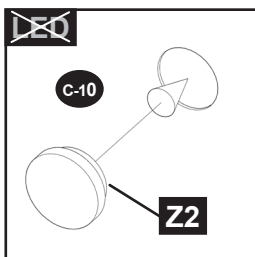
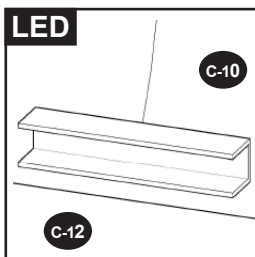
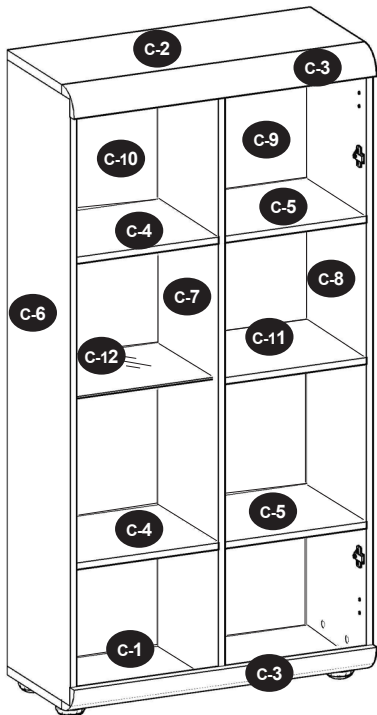
CR 11



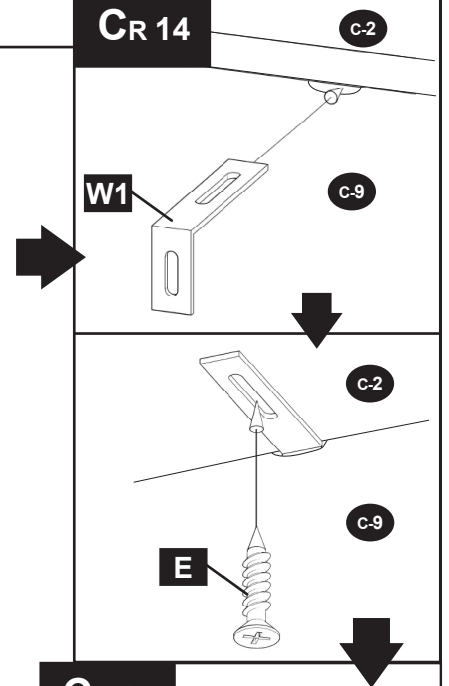
CR 12



CR 13



CR 14



CR 15

