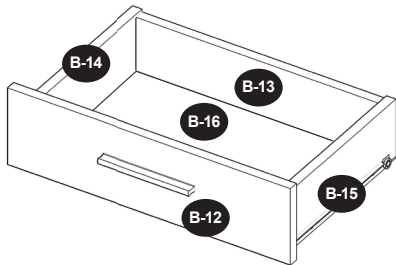
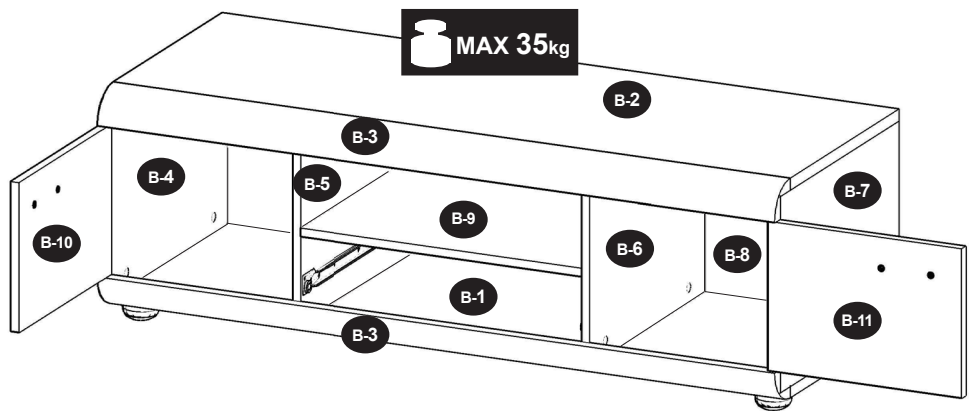
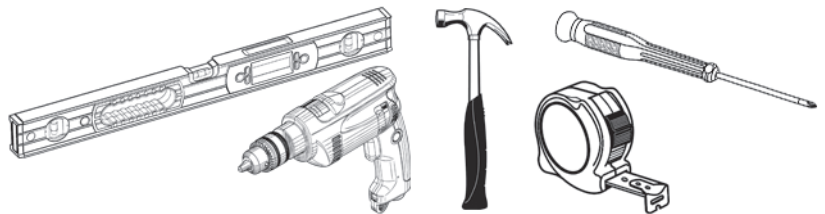
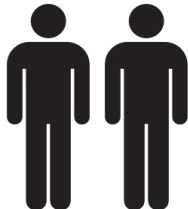
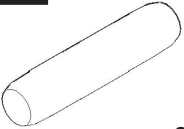
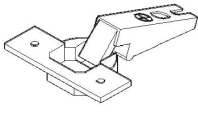
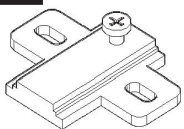
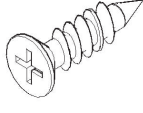
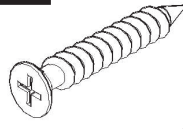
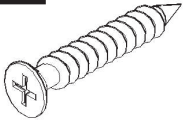
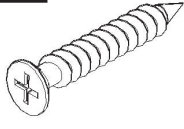
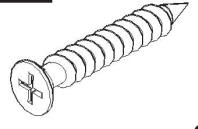

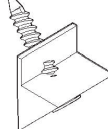

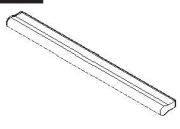
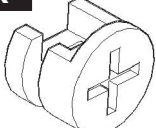
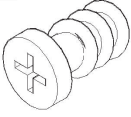

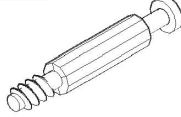

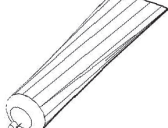


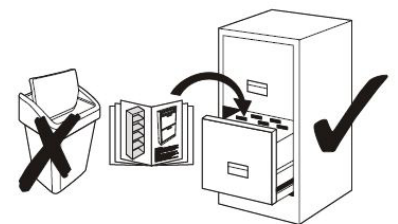
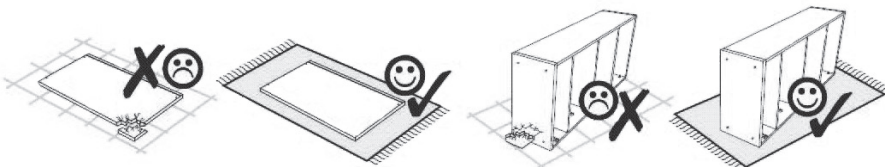
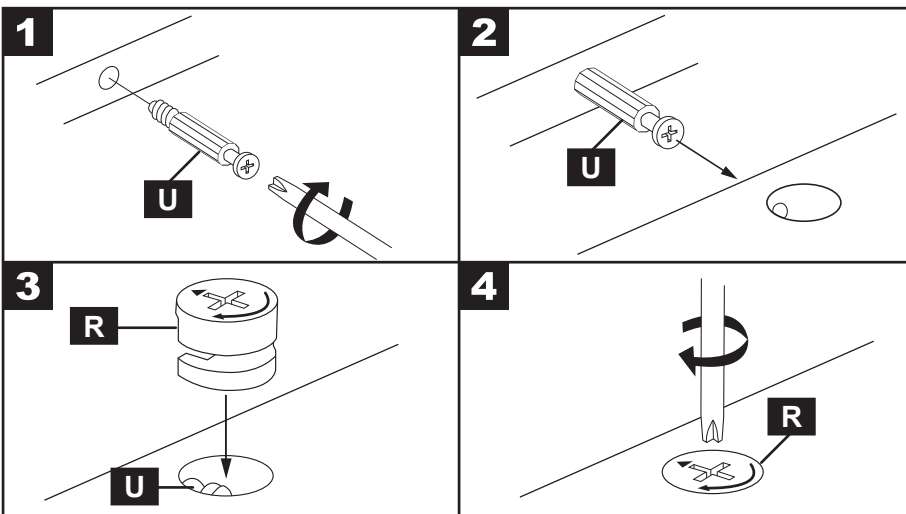
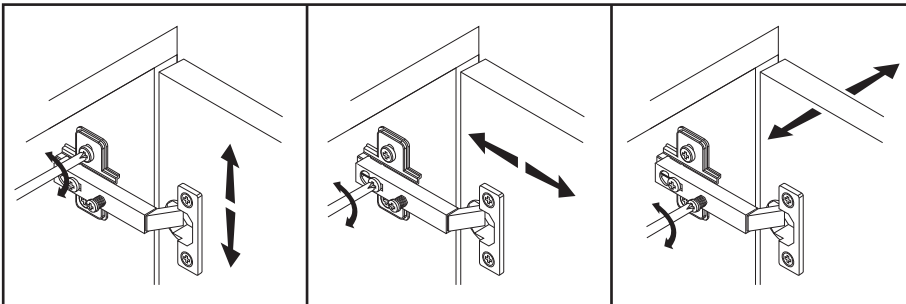
B



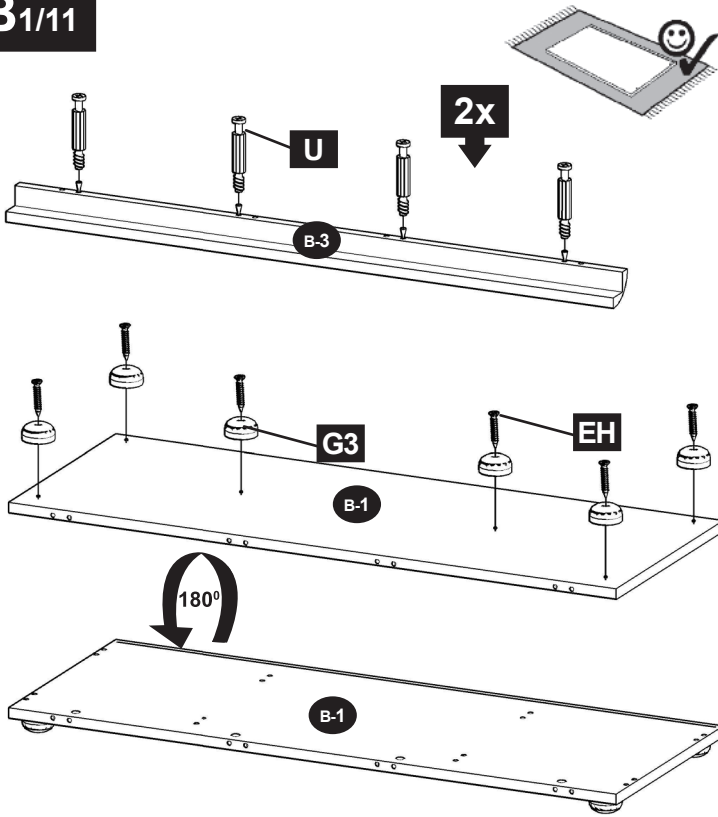
35 min.



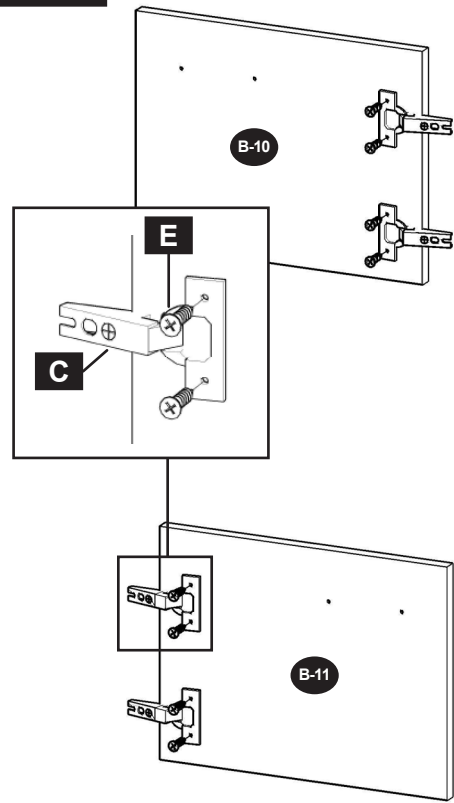
B  8x32 x36	C  x4	D  x4	E  3,5x13 x8	E2  3x20 x12	E3  4x27 x6
E7  4x20 x6	EH  4x22 x6	G3  h=15 x6	H1  x8	K  x1	M  x3
R  x24	T  6,3x13 x8	T2  5x10 x4	U  x24	Z  x24	 x1



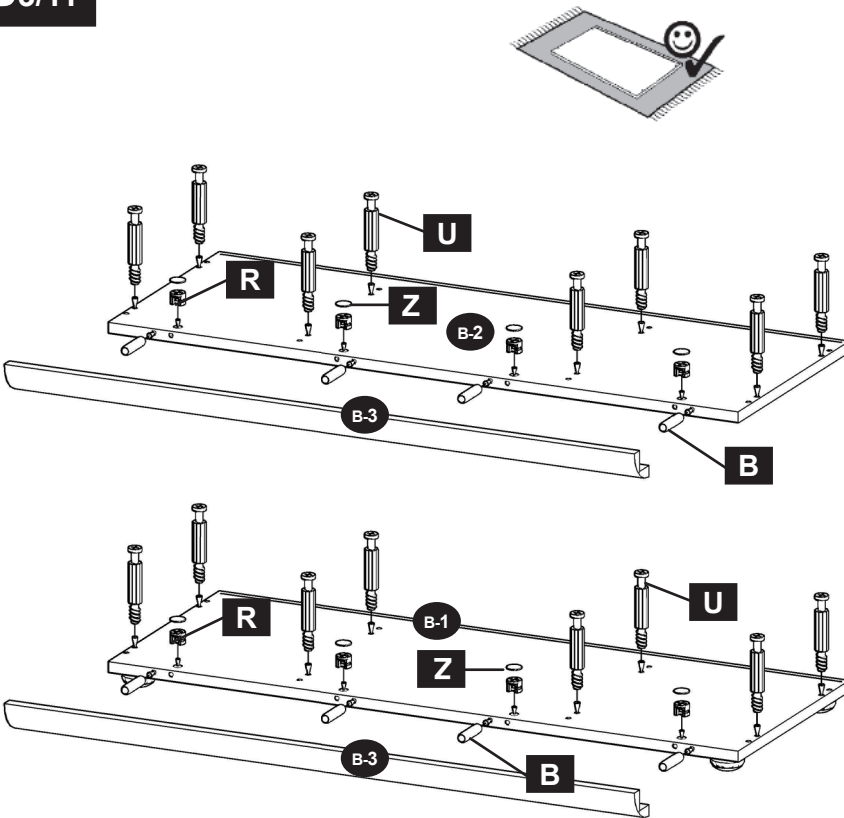
B1/11



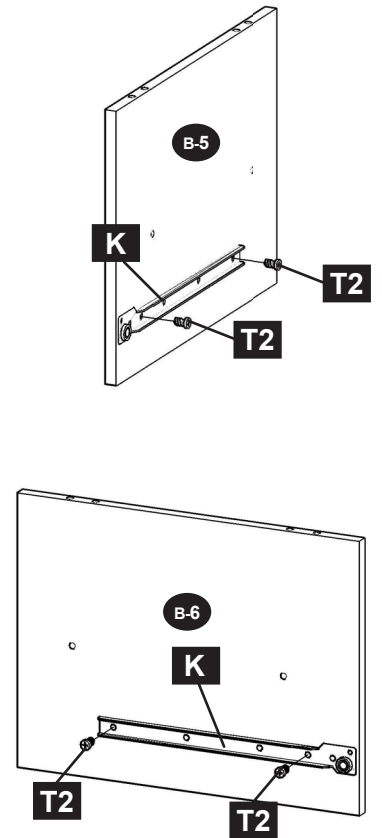
B2/11



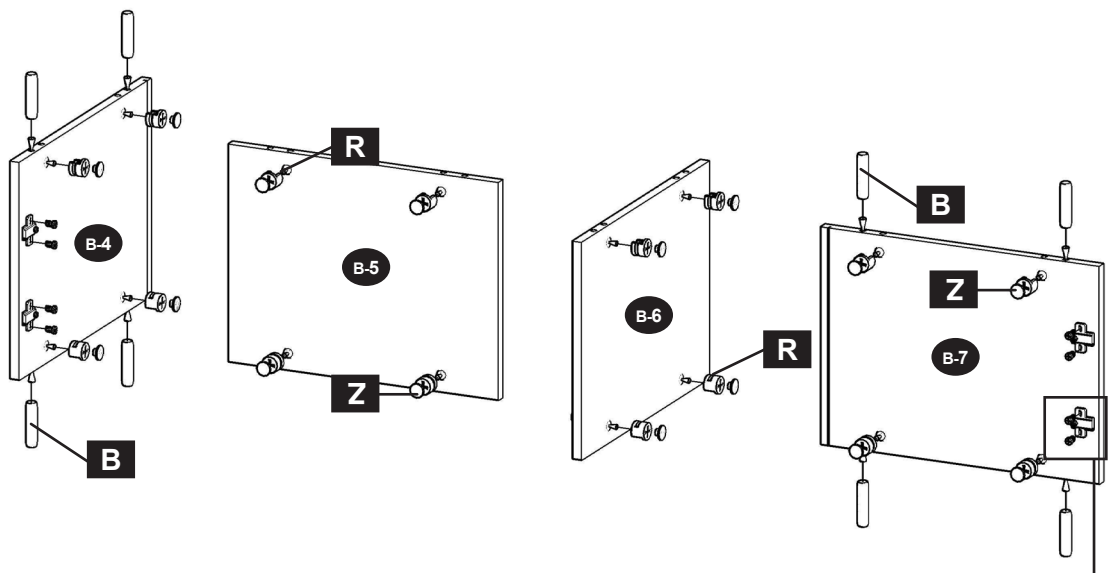
B3/11



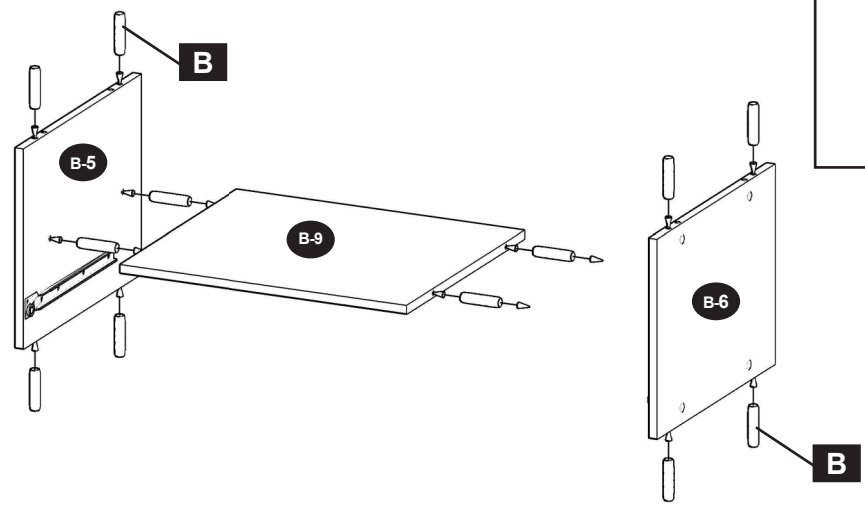
B4/11



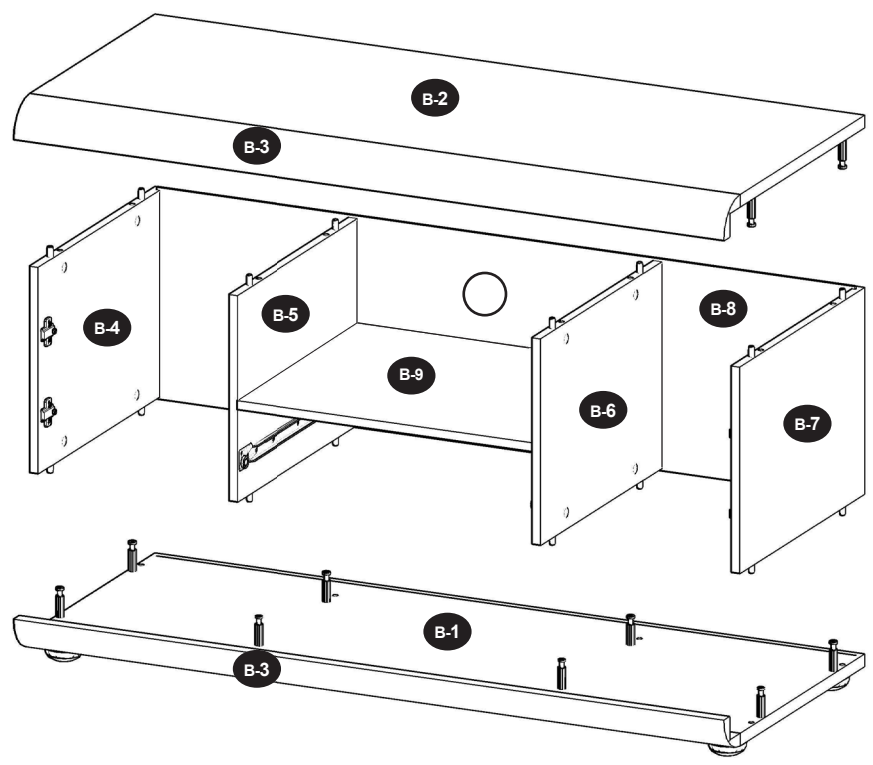
B5/11



B6/11



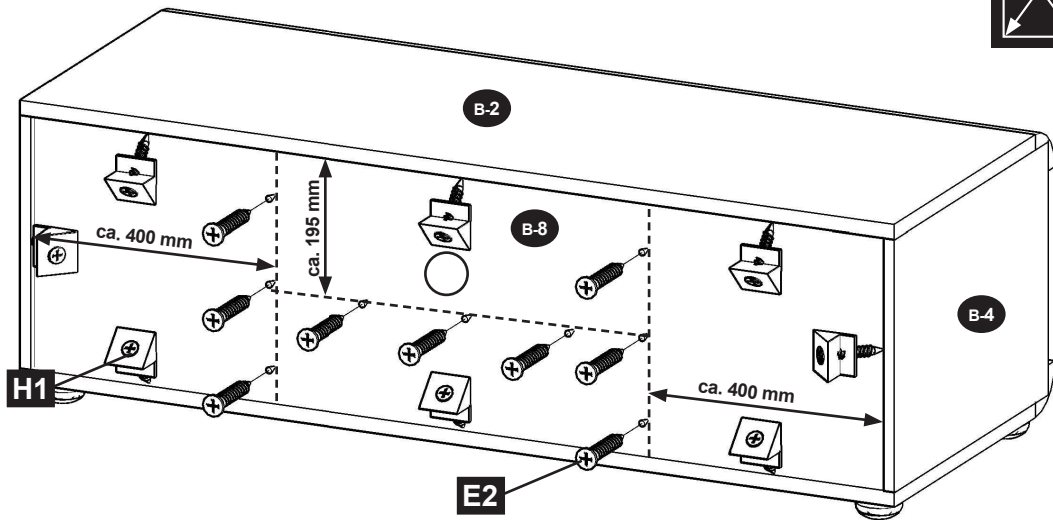
B7/11



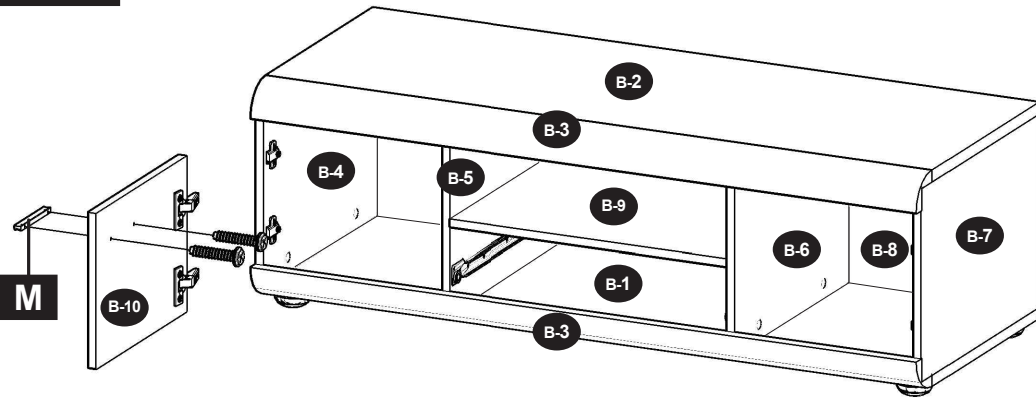
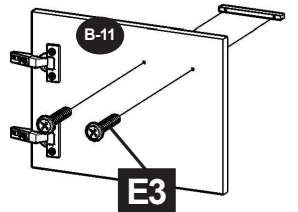
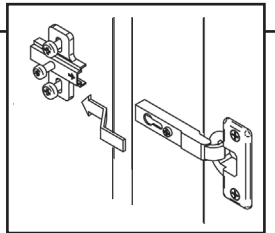
B8/11



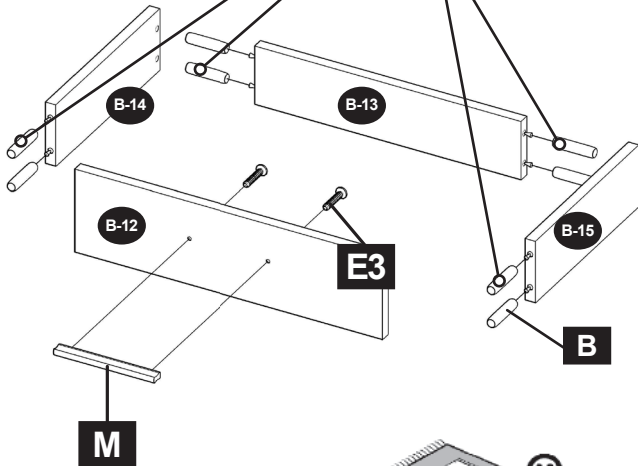
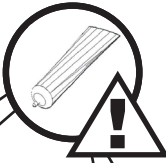
A=B



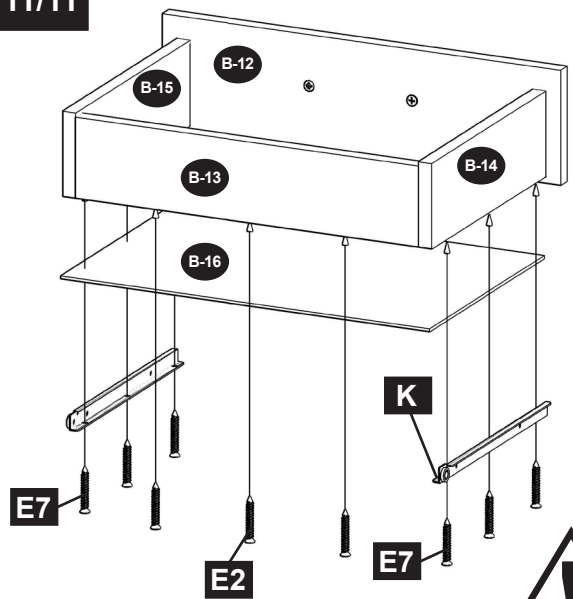
B9/11



B10/11



B11/11



A=B