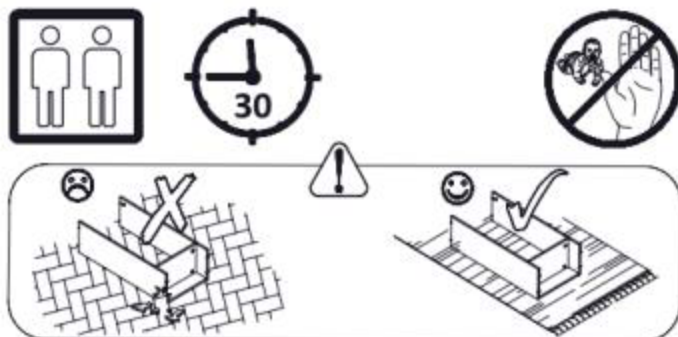
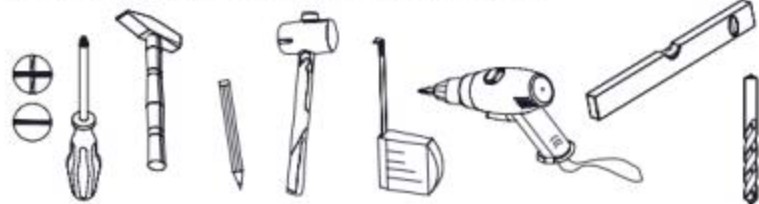
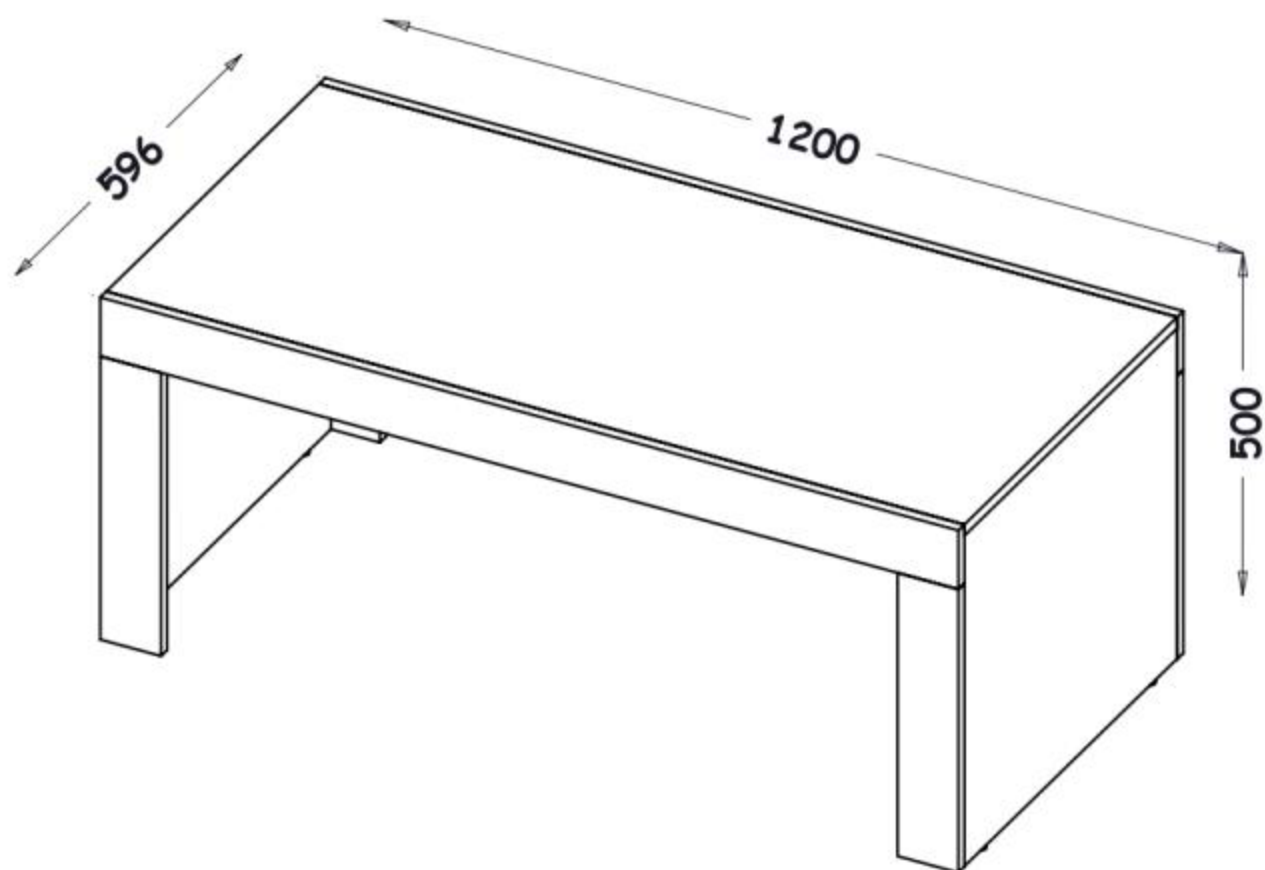
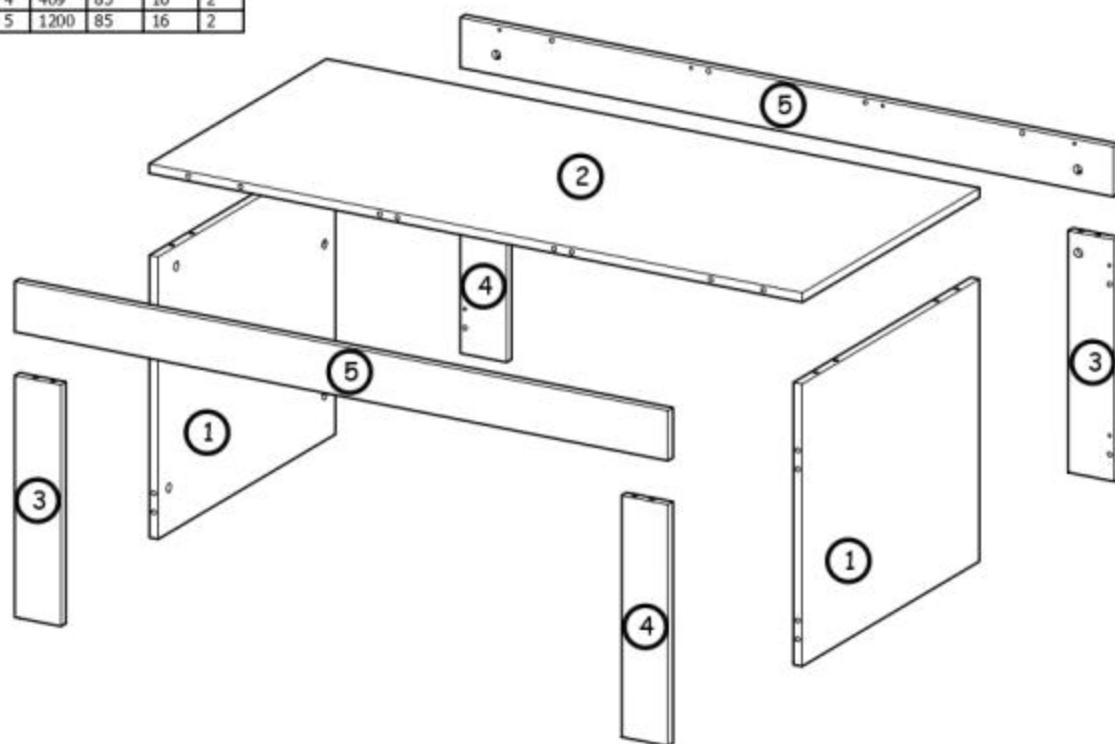








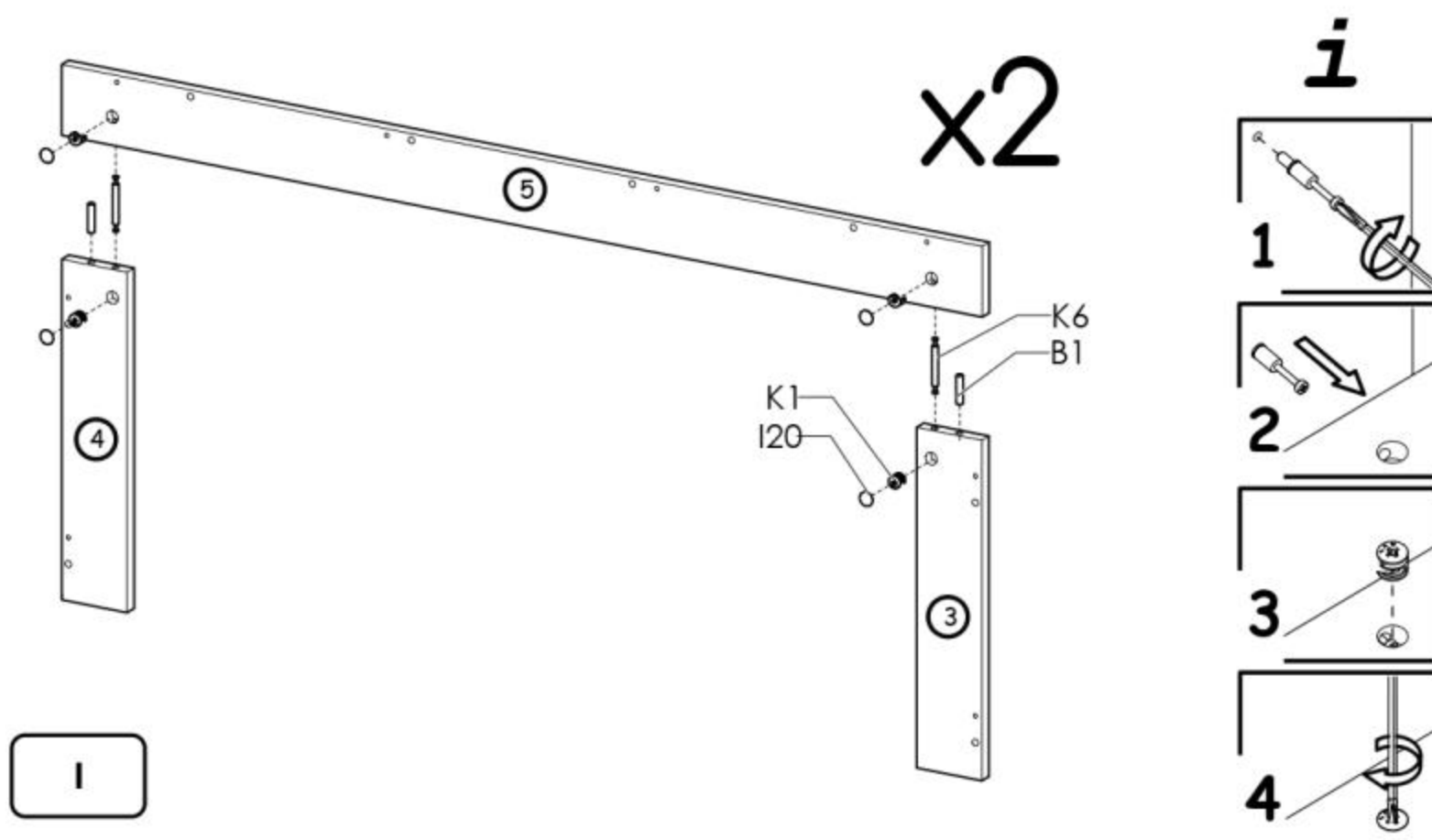
10
9
8
7
6
5
4
3
2
1
0



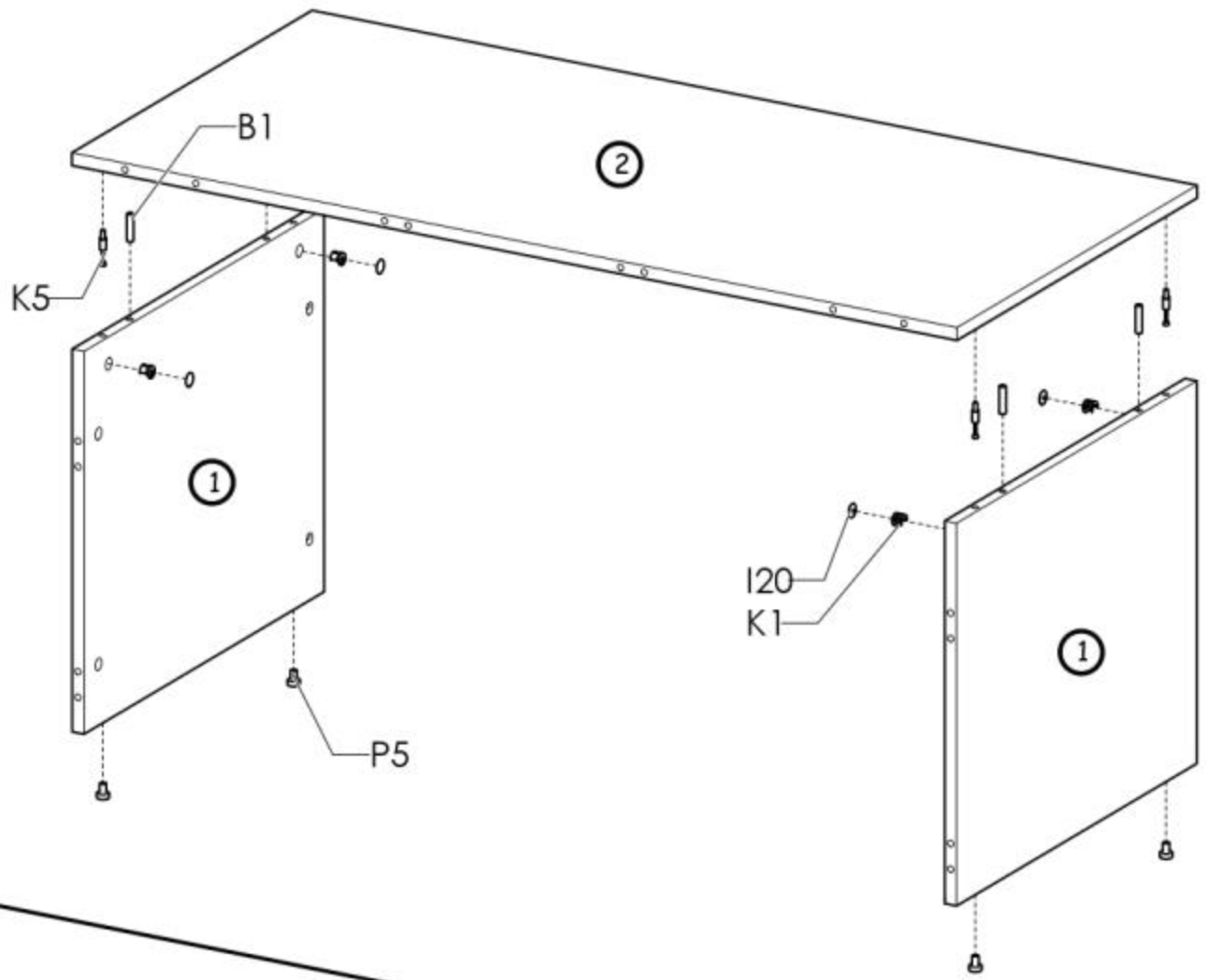
Nr	Xmm	Ymm	Zmm	Szt.
1	478	564	16	2
2	1200	564	16	1
3	409	85	16	2
4	409	85	16	2
5	1200	85	2	



B1 24x ø8x35		K1 28x ø15x12		K5 20x 34mm		I20 28x ø4/ø17		K6 4x 65mm		P5 4x	
---------------------------	---	----------------------------	---	--------------------------	---	-----------------------------	---	-------------------------	---	-----------------	---



II



III

