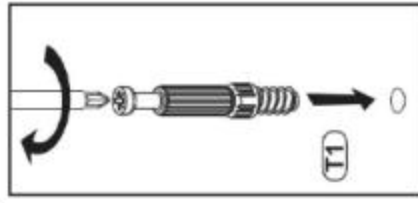
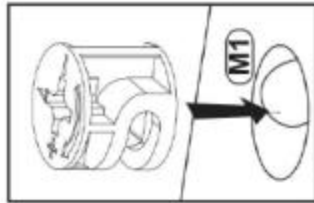
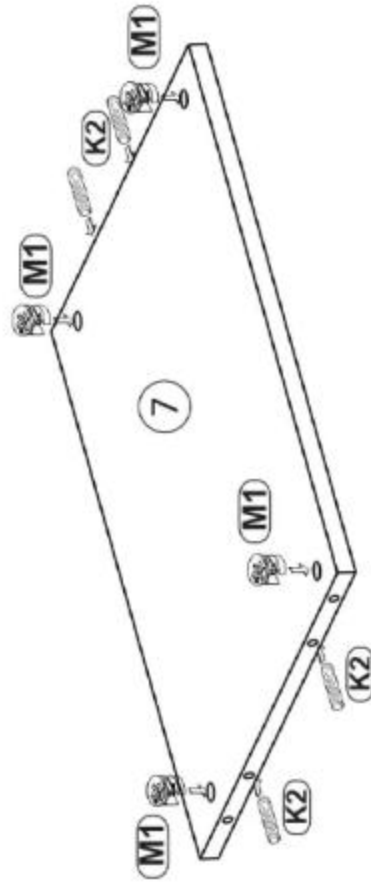
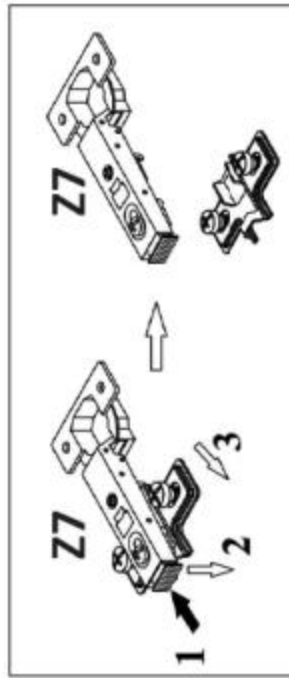
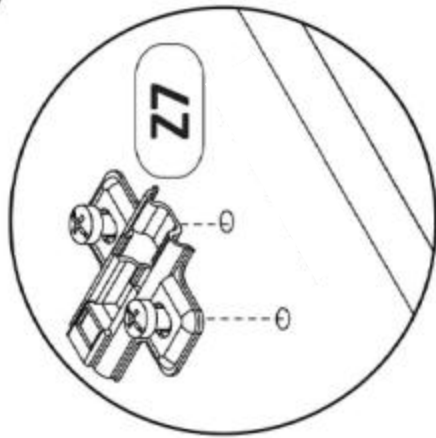
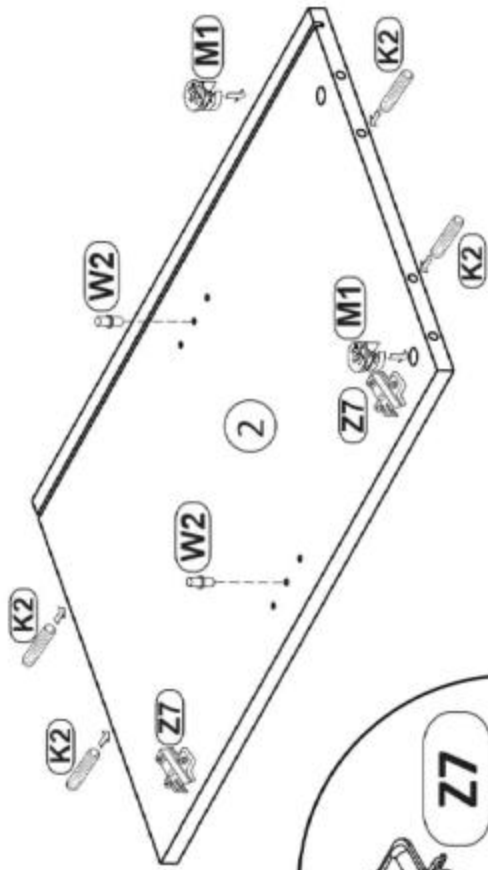
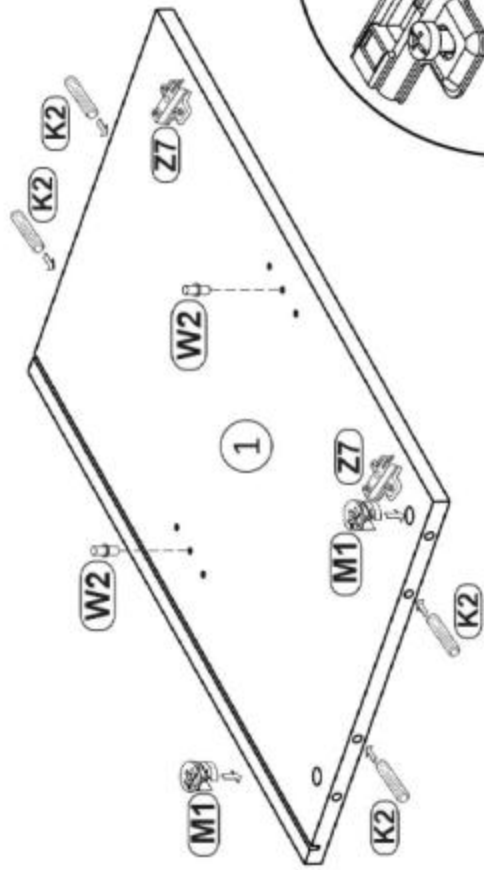
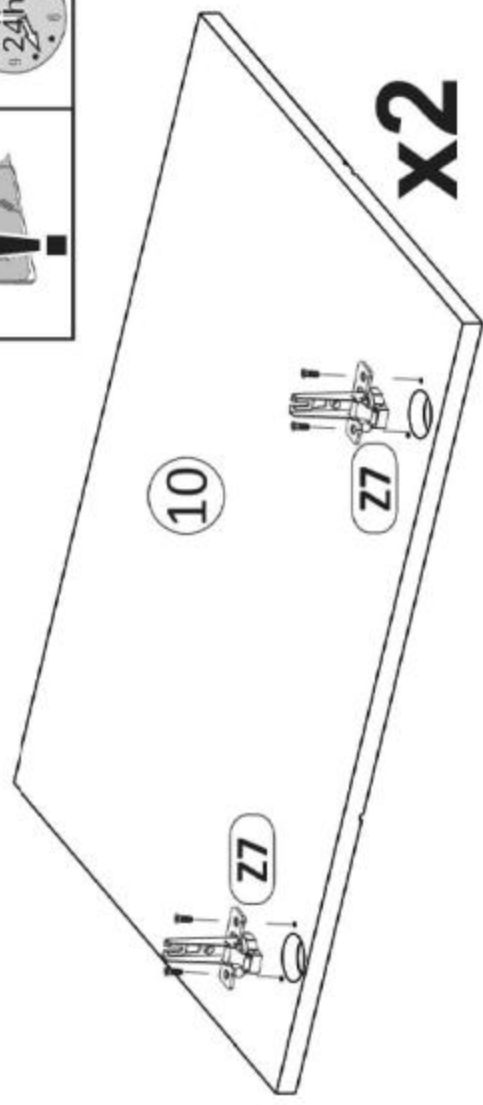
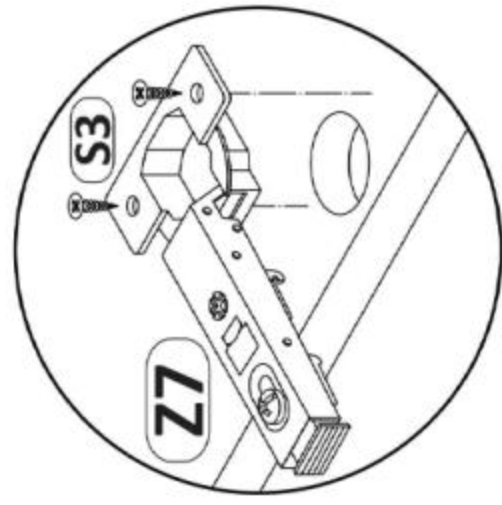
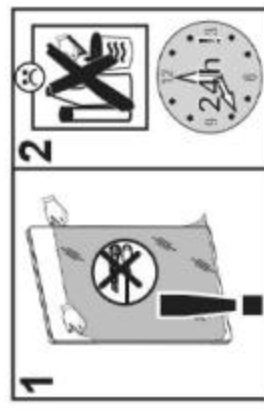
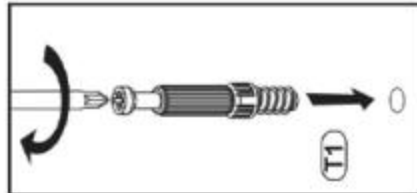
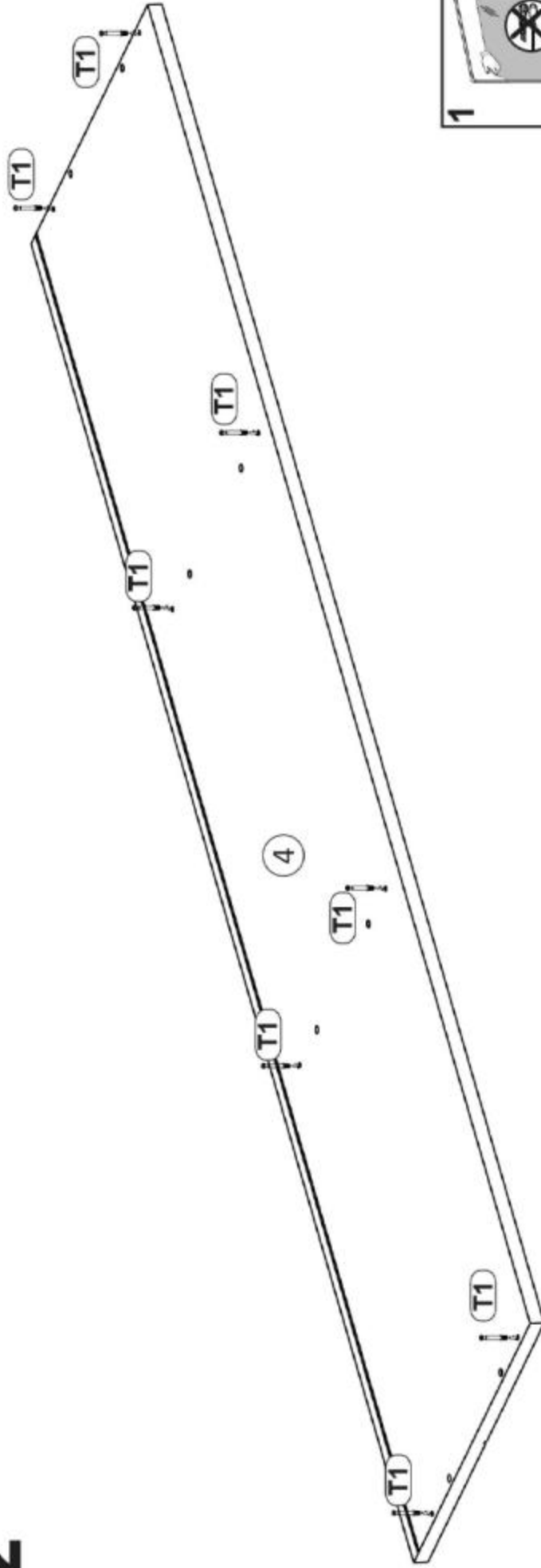


- |   |       |               |
|---|-------|---------------|
| 1 | (K2)  | x22           |
| 1 | (T1)  | x14           |
| 1 | (M1)  | x14           |
| 1 | (S10) | US 3x18 x10   |
| 1 | (P2)  | 3.5x18 x14    |
| 1 | (K7)  | x1            |
| 1 | (K11) | x12           |
| 1 | (W2)  | x14           |
| 1 | (Z2)  | x8            |
| 2 | (Z7)  | x4            |
| 2 | (S3)  | 4x13 x8       |
| 3 | (U1)  | L-350 x1L x1R |
| 3 | (P10) | 6.3x13 x4     |
| 4 | (ST1) | x6            |
| 4 | (P3)  | 3.5x18 x24    |
| 5 | (B5)  | x1            |

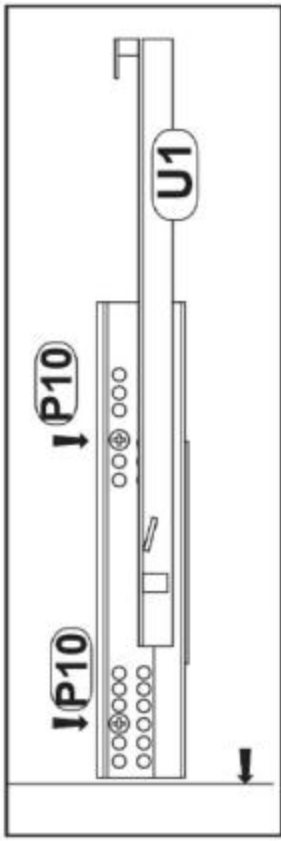
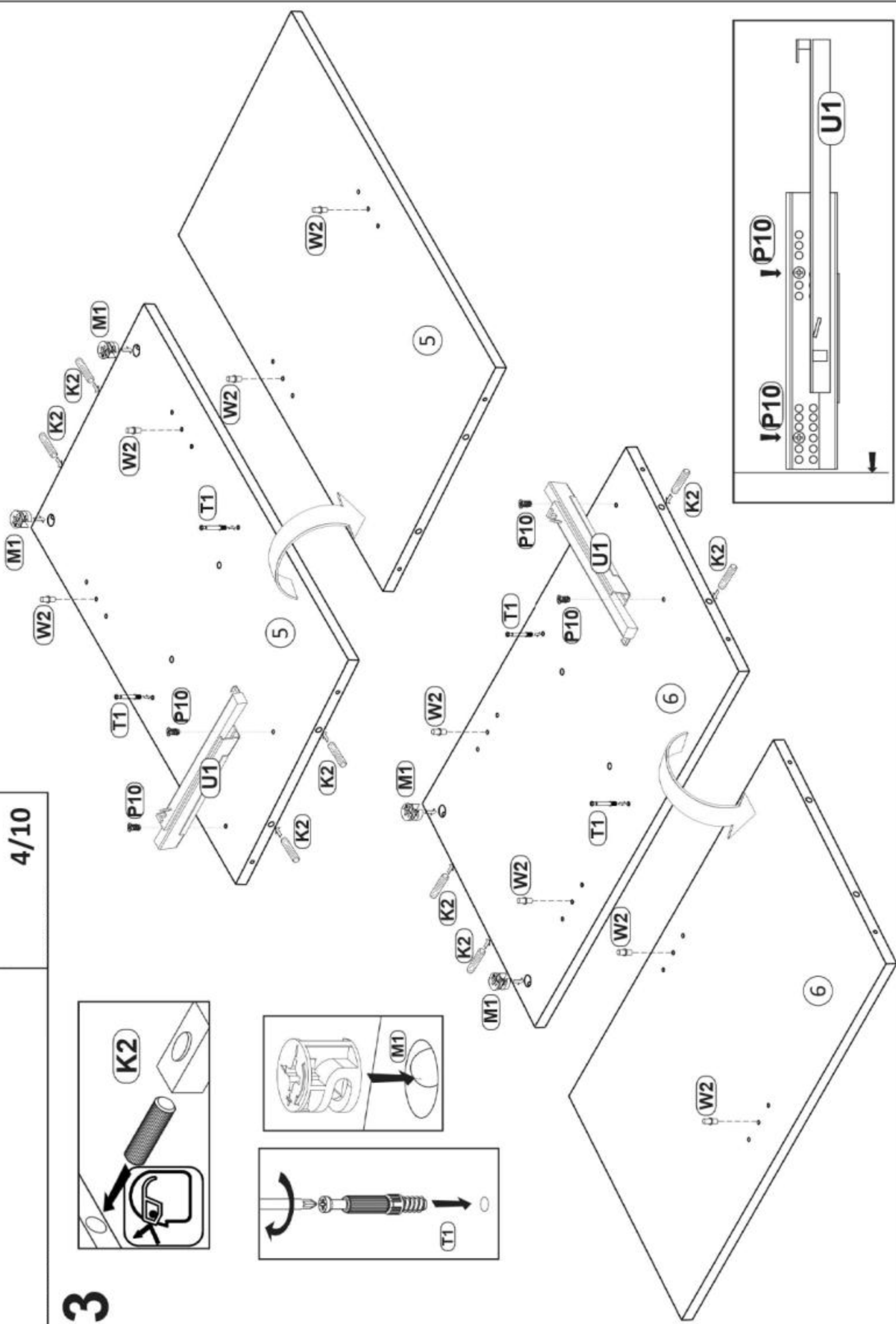
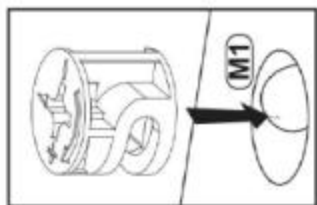
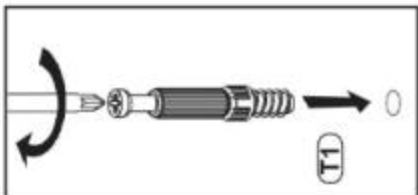
# 1



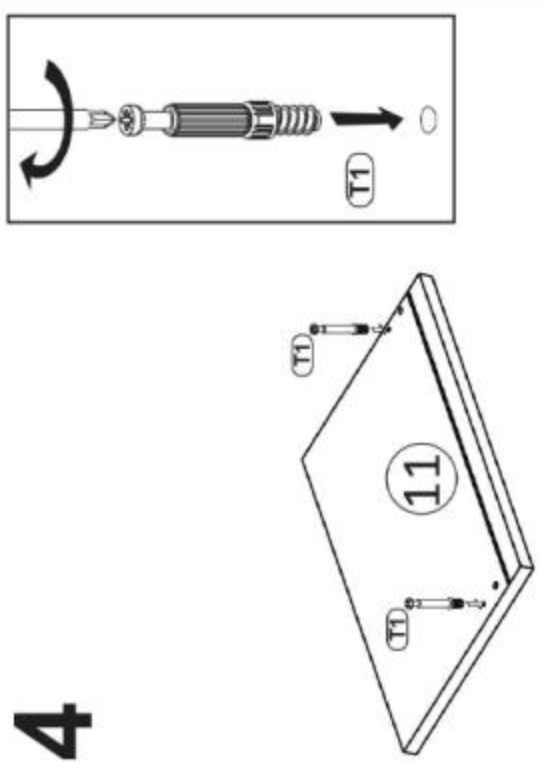
2



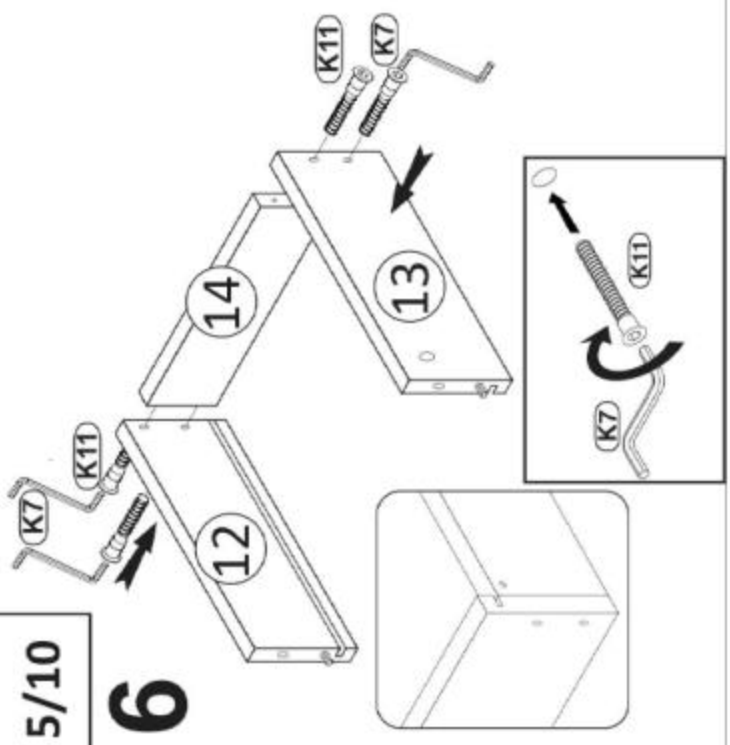
# 3



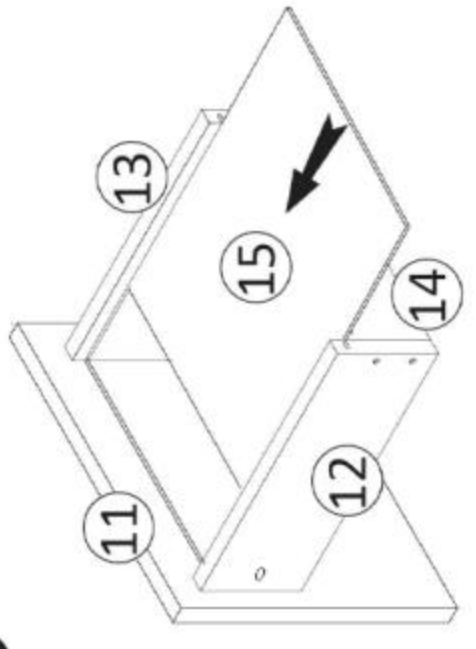
4



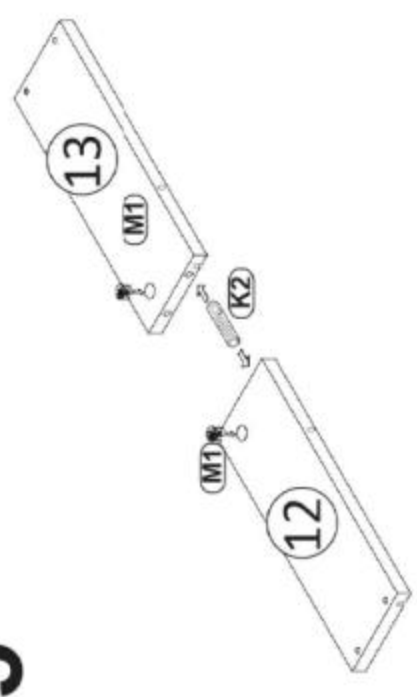
6



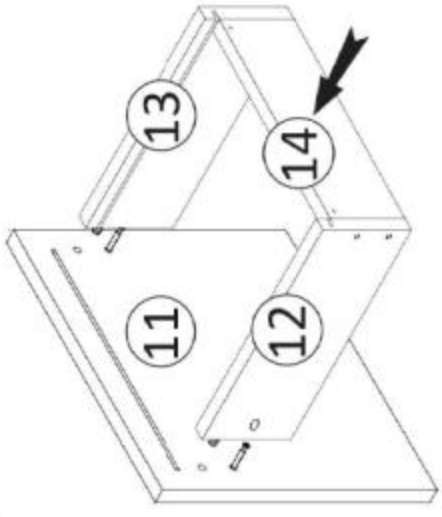
8



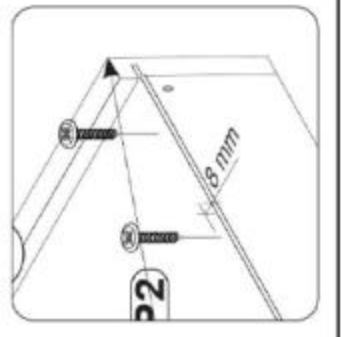
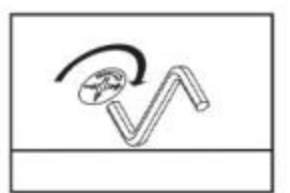
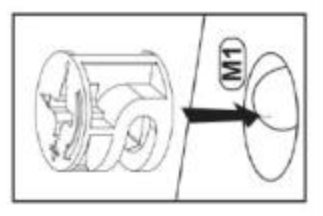
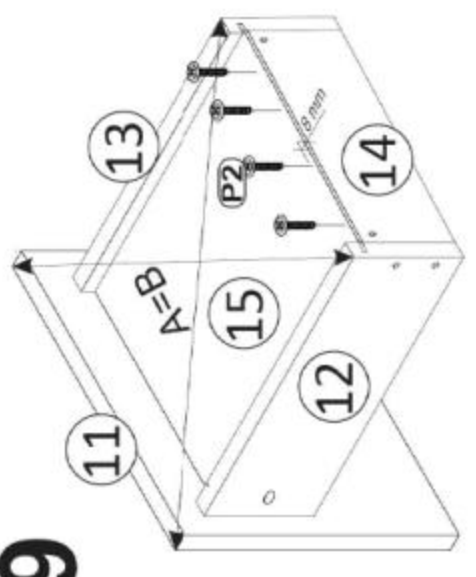
5



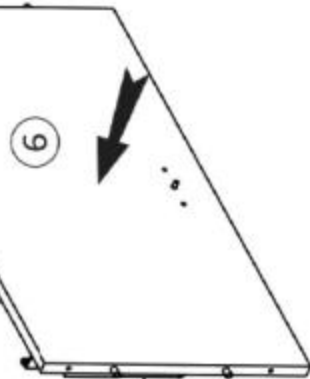
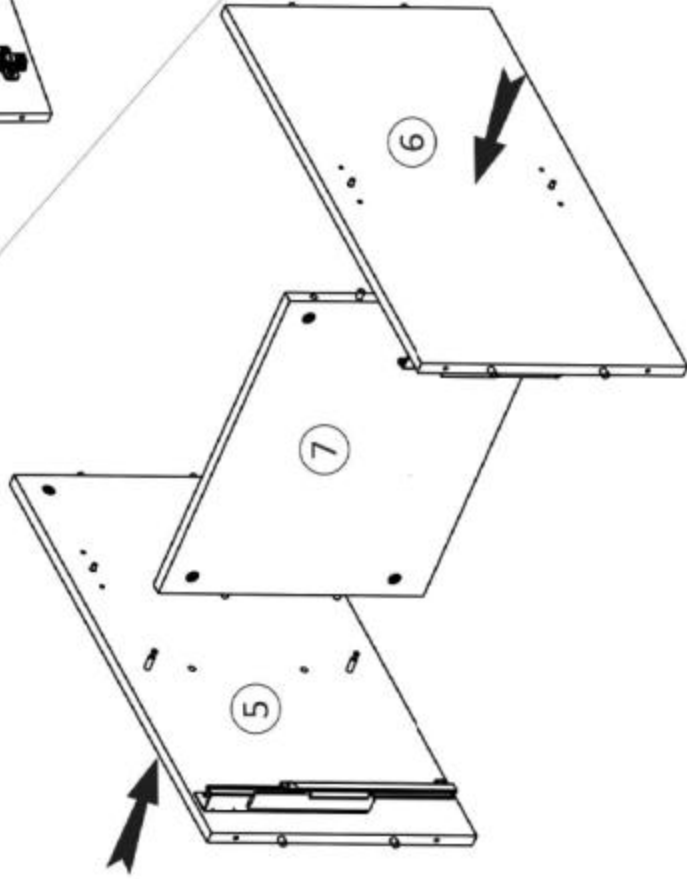
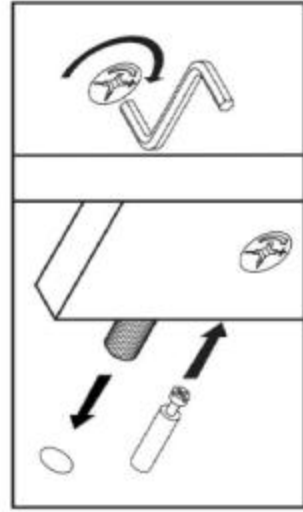
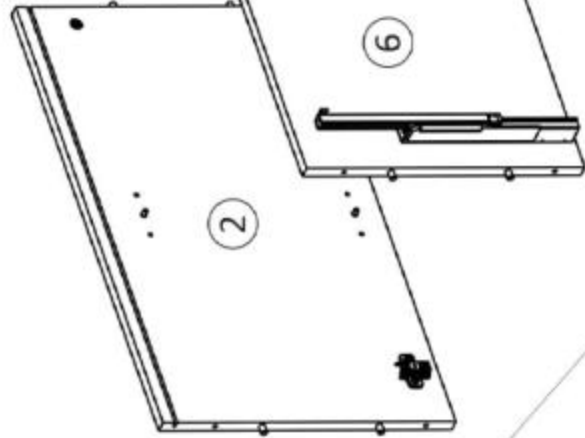
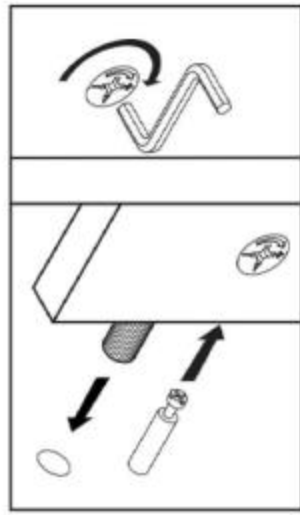
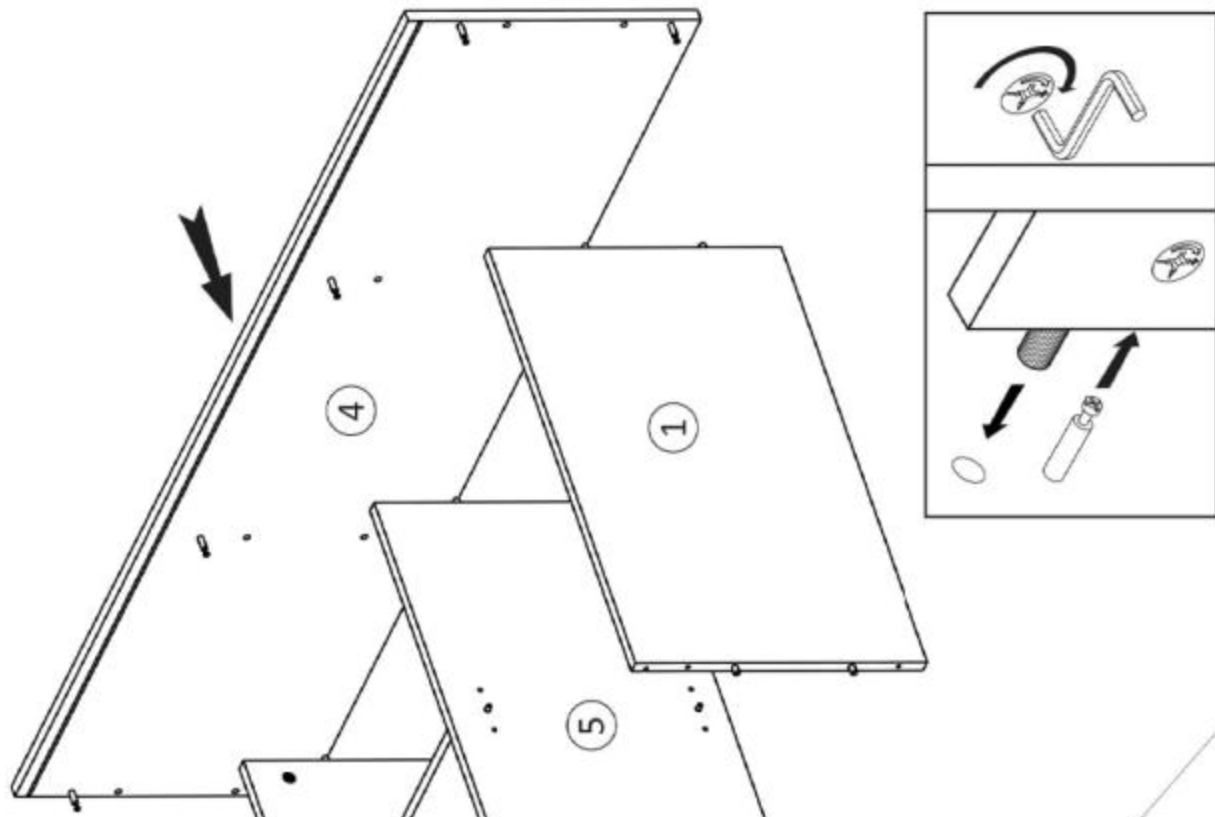
7



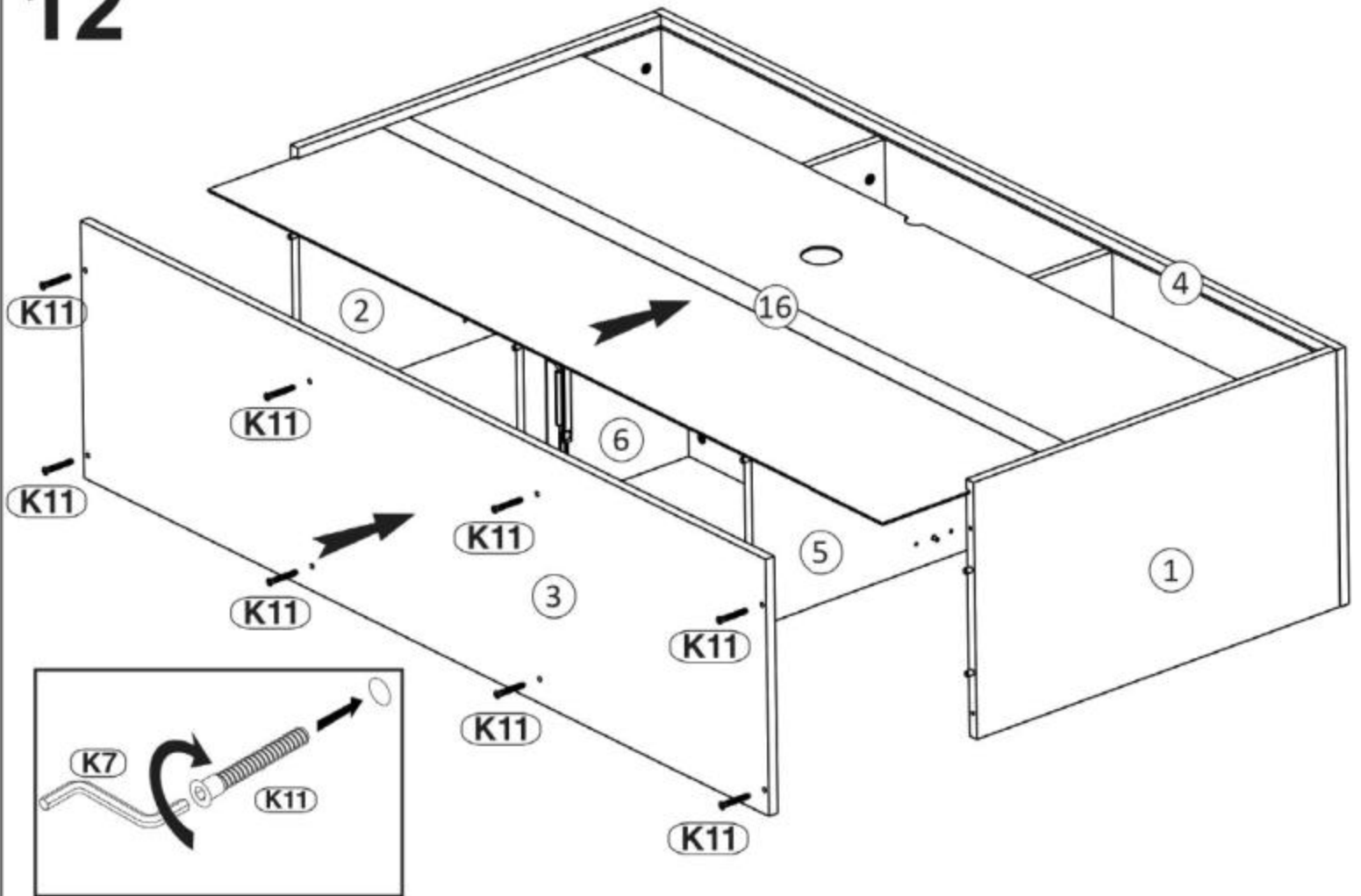
9



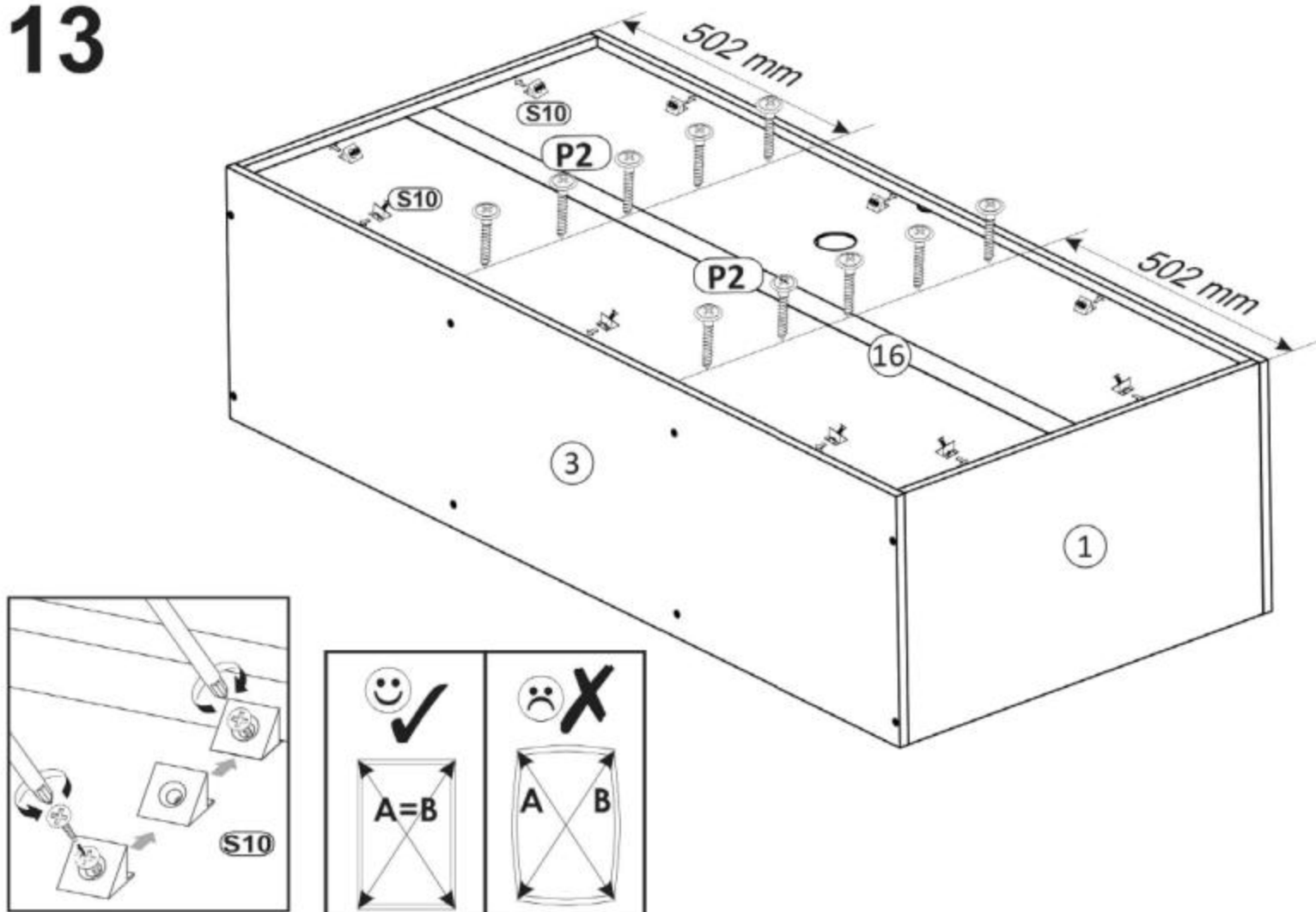
# 10 11



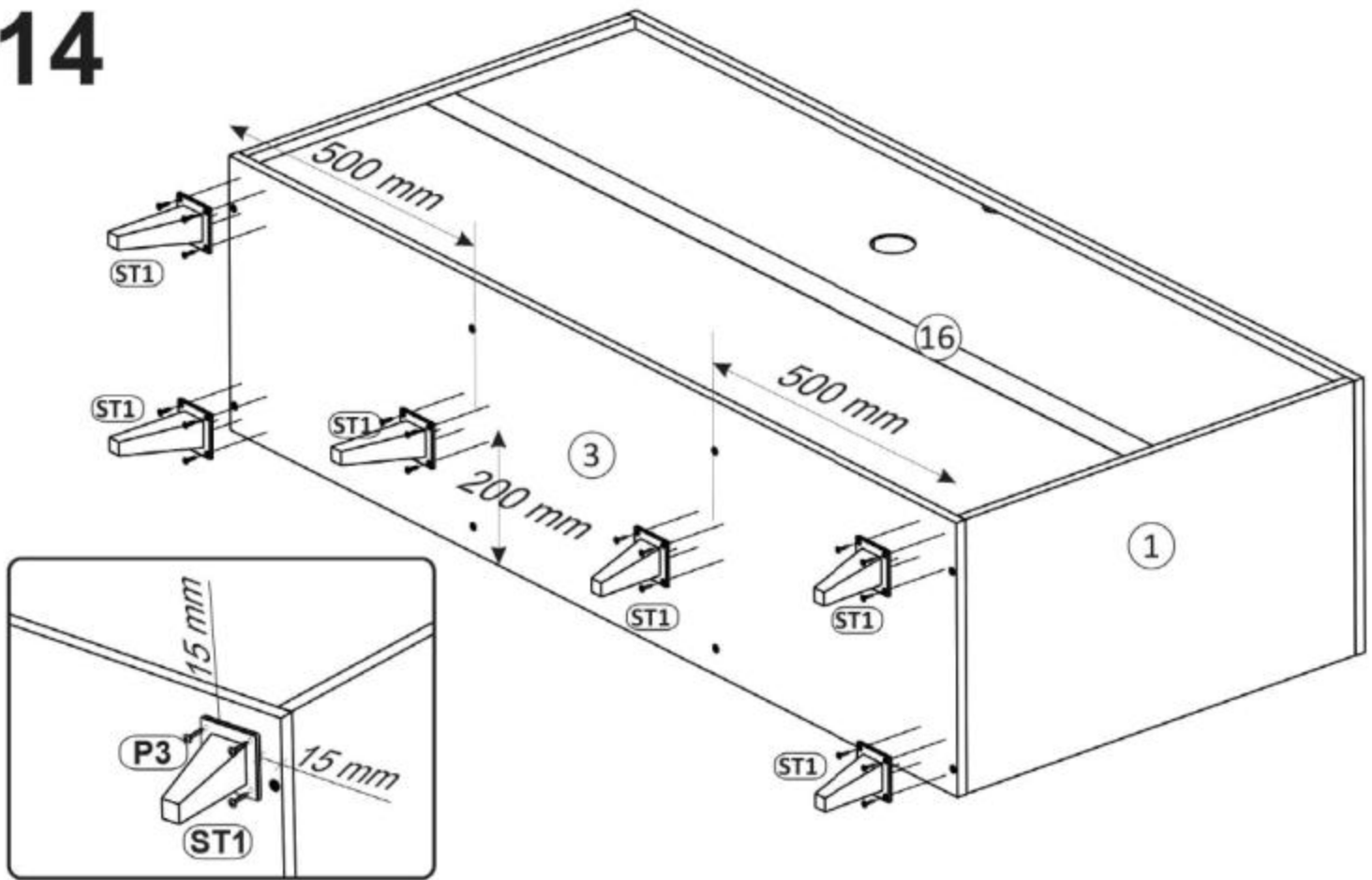
12



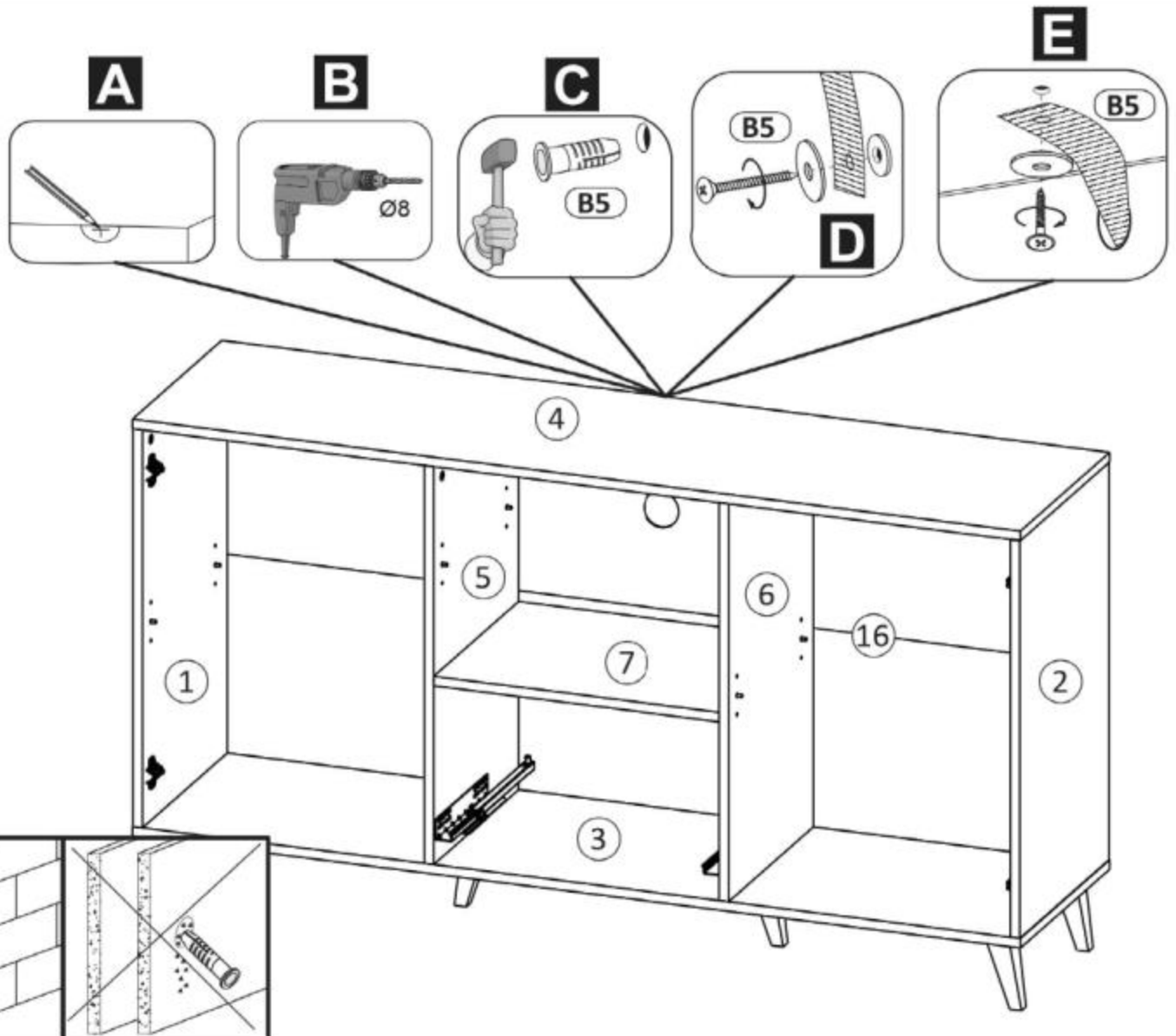
13



14

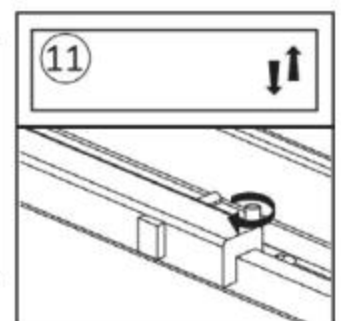
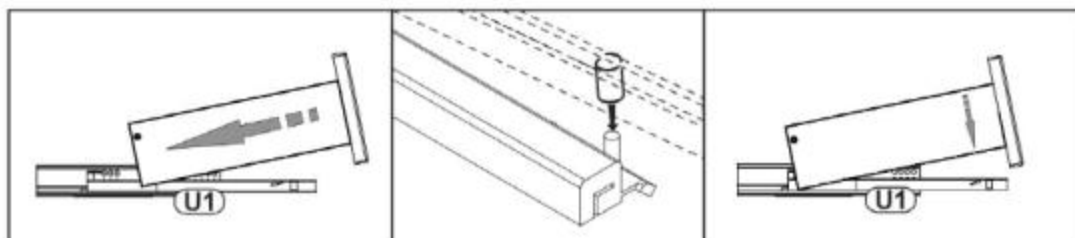
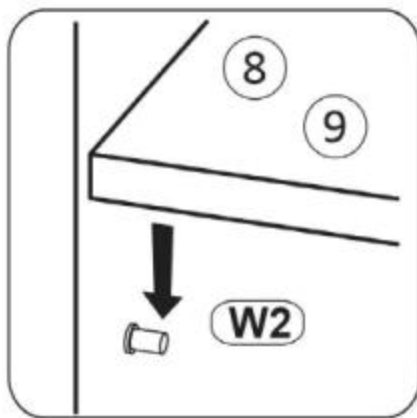
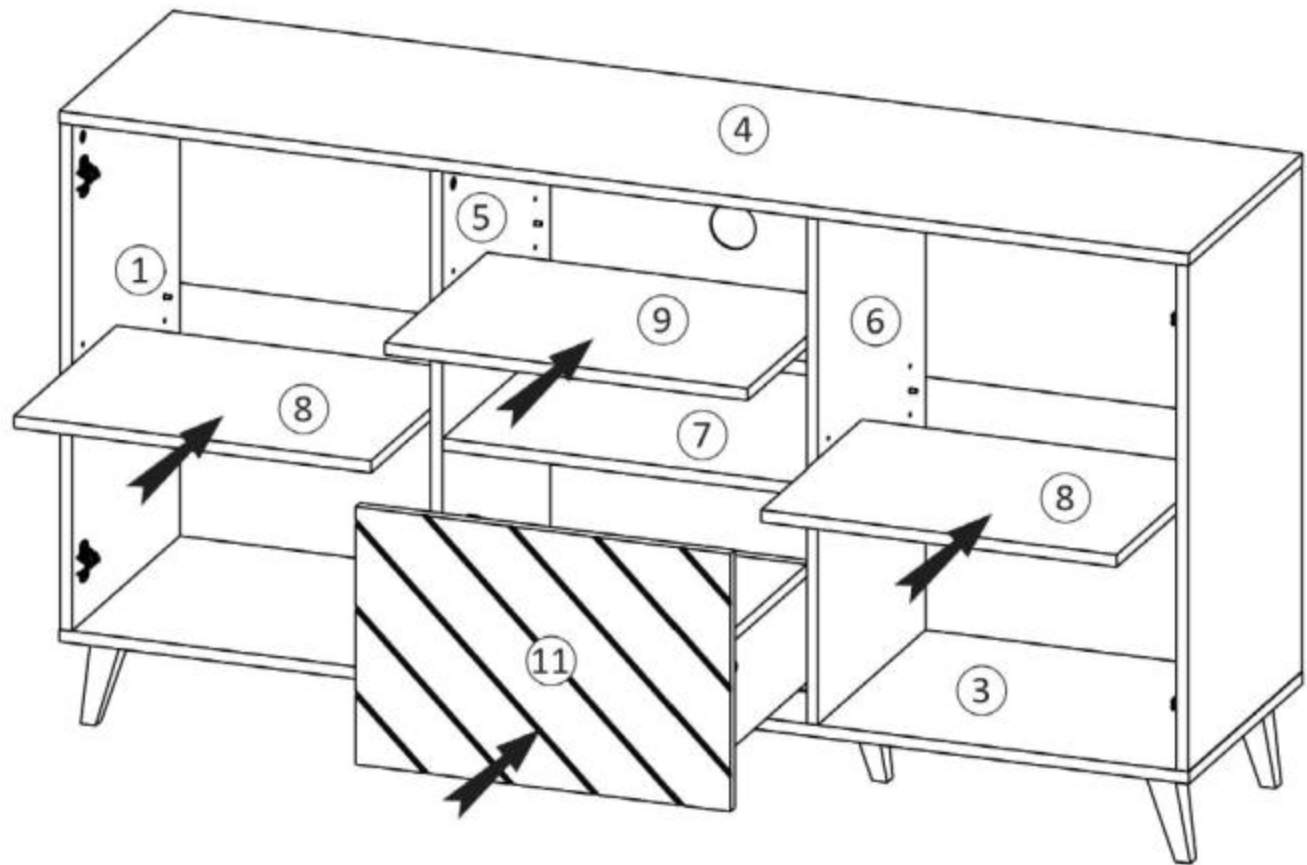


15





## 16



17

