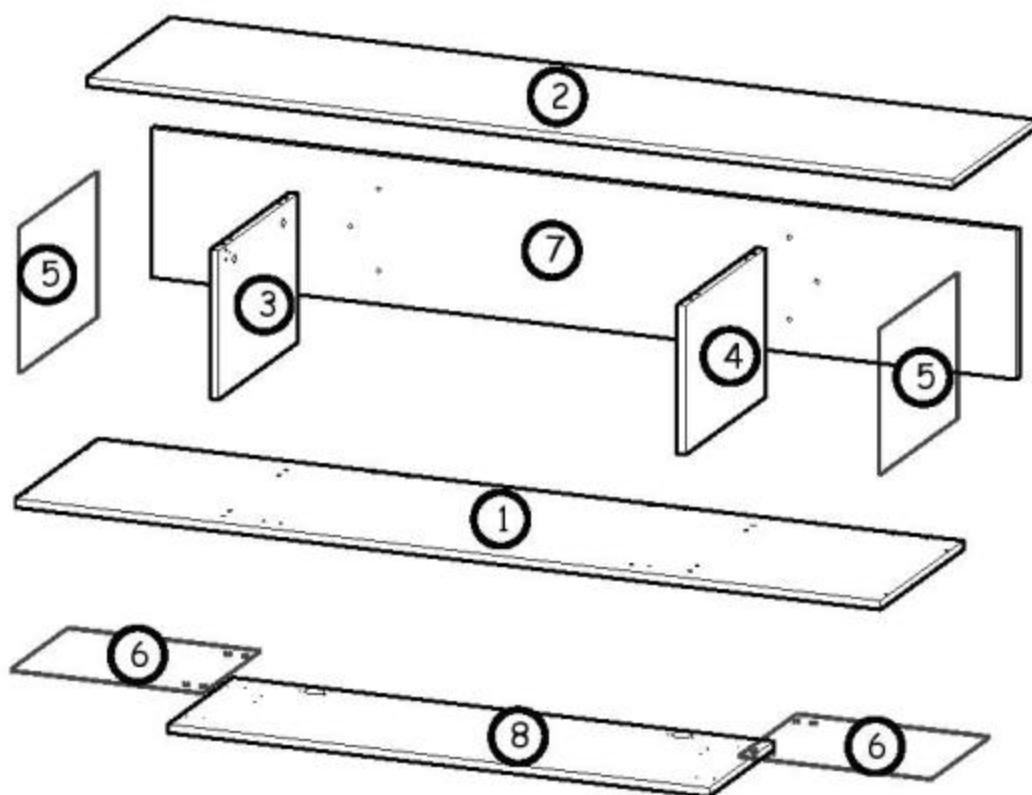
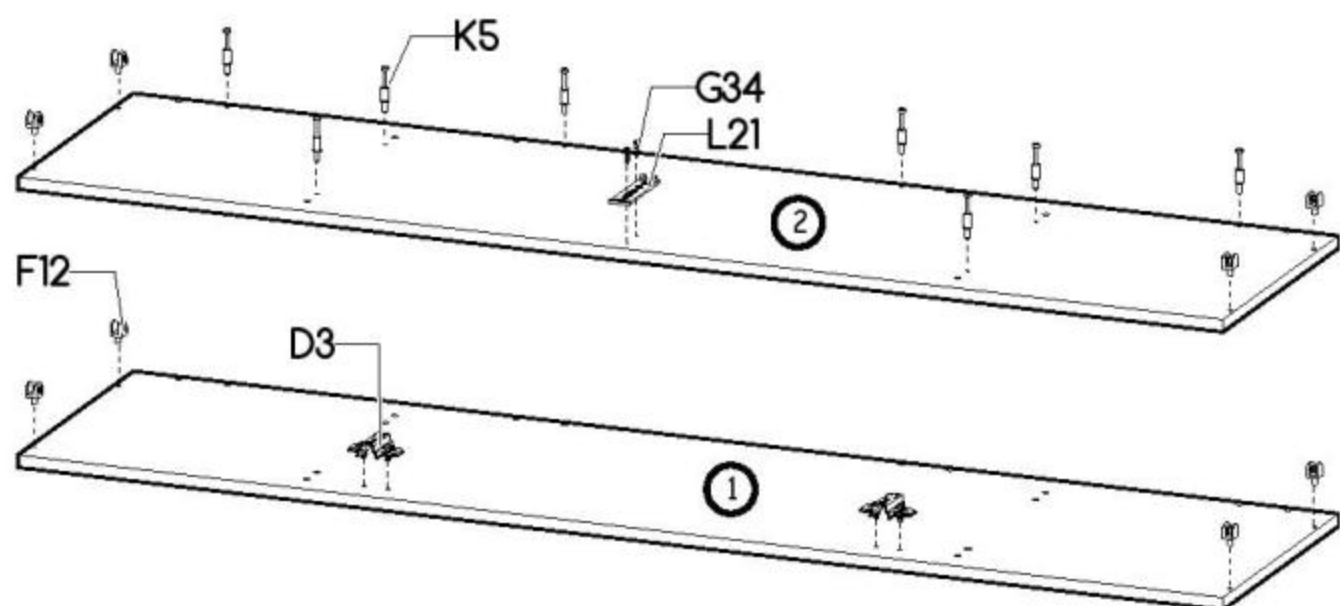


Nr	Xmm	Ymm	Zmm	x
1	1600	380	16	1
2	1600	380	16	1
3	267	363	16	1
4	267	363	16	1
5	259	356	4	2
6	262	353	4	2
7	1599	267	16	1
8	295	1000	16	1

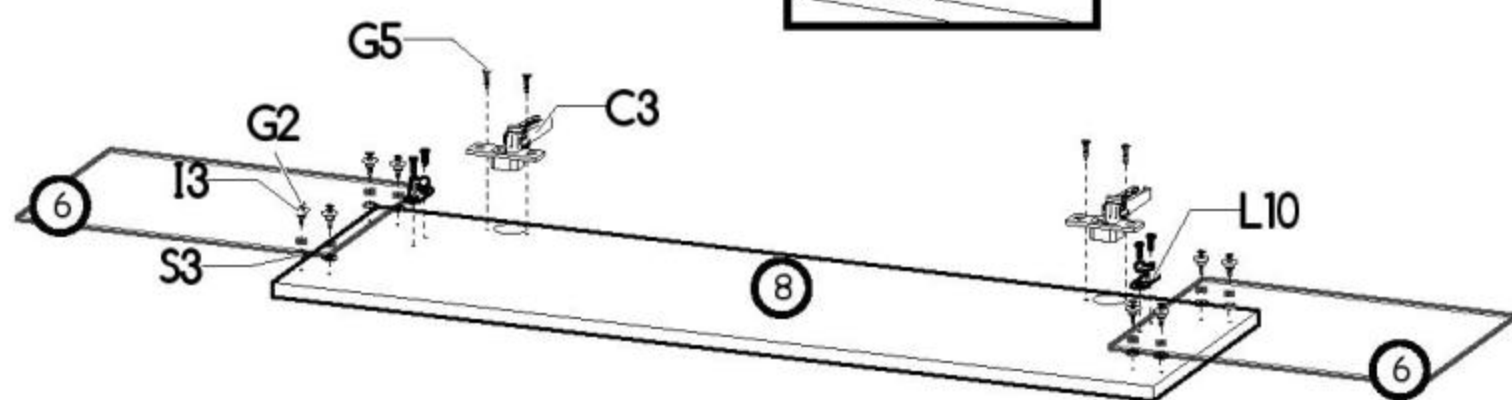
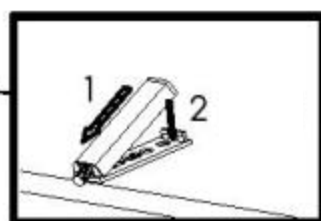


<b>A1</b> 10x ø7x50 	<b>I12</b> 12x ø4/ø11 	<b>K5</b> 8x 34mm 	<b>K1</b> 8x ø15x12 	<b>U8</b> 4x ø10x50 	<b>A2</b> 4x ø7x70 
<b>L10</b> 2x 60N 	<b>I20</b> 4x ø4/ø17 	<b>B1</b> 16x ø8x35 	<b>D3</b> 2x PZ35PR 	<b>C3</b> 2x Z35PR 	<b>G34</b> 2x 3,5x16 
<b>W2</b> 1x 4mm 	<b>G5</b> 4x 4x13 	<b>I3</b> 8x 	<b>G2</b> 8x 3x20 	<b>S3</b> 8x 	<b>L21</b> 1x 
<b>F12</b> 8x 					

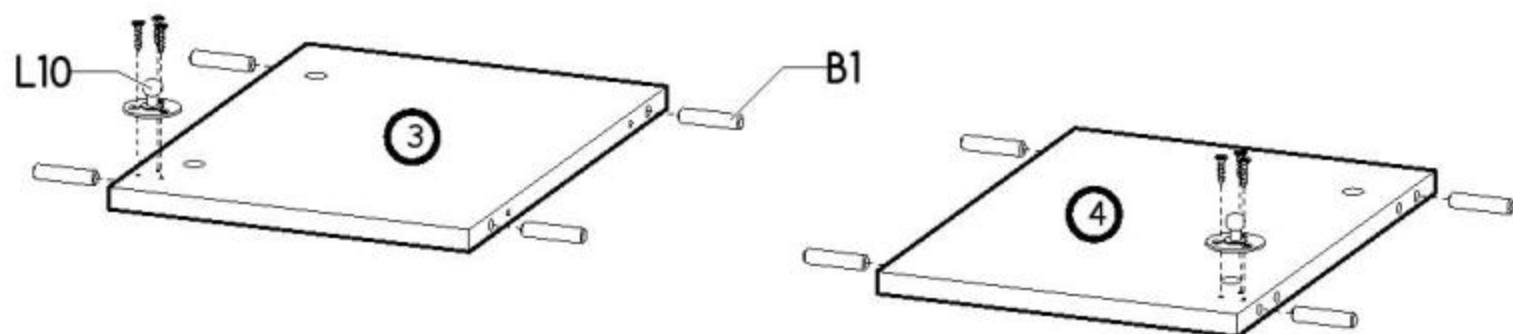
I



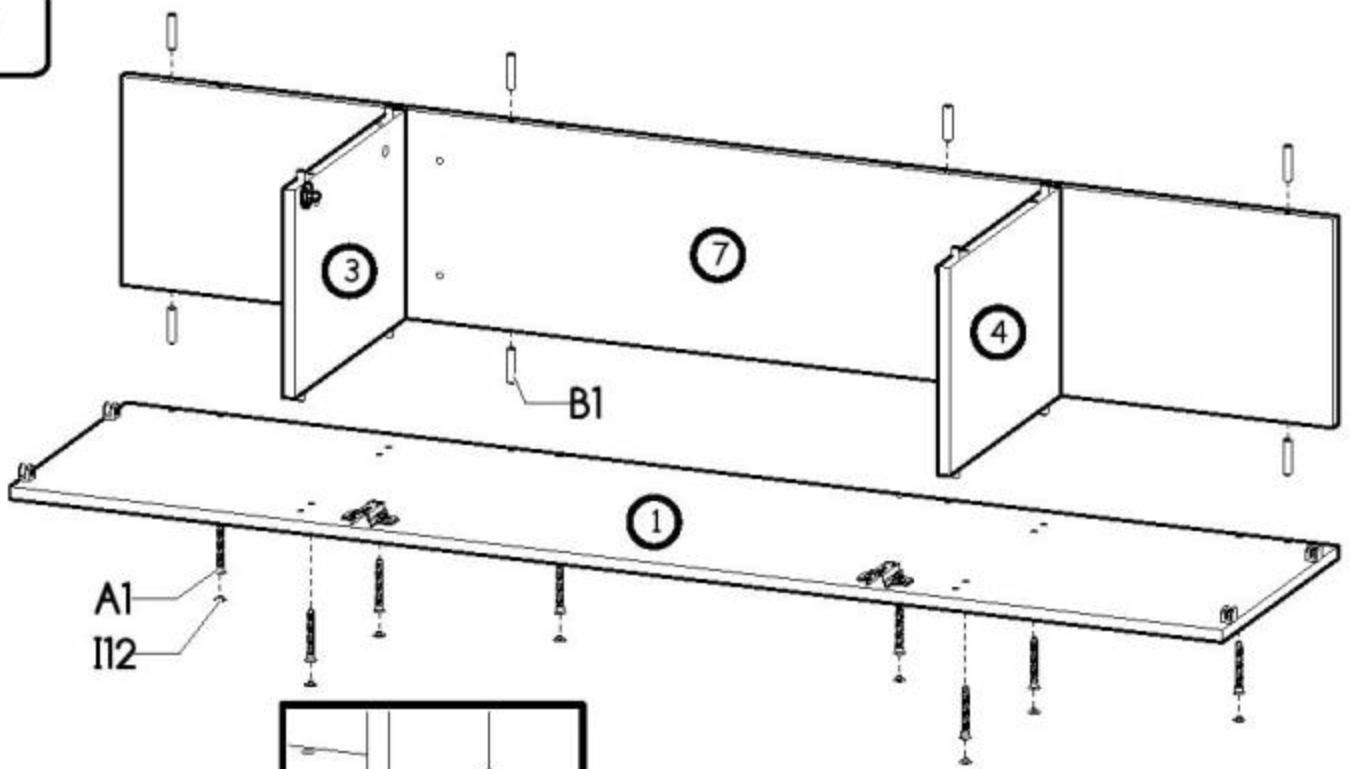
II



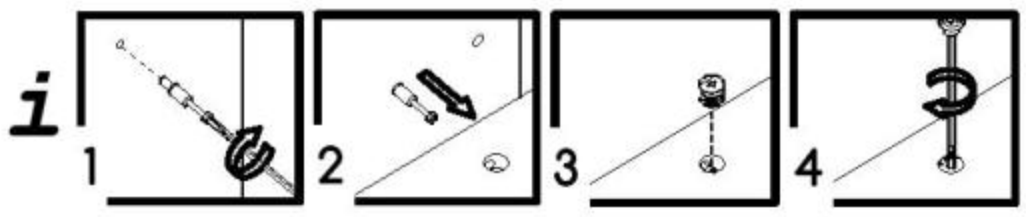
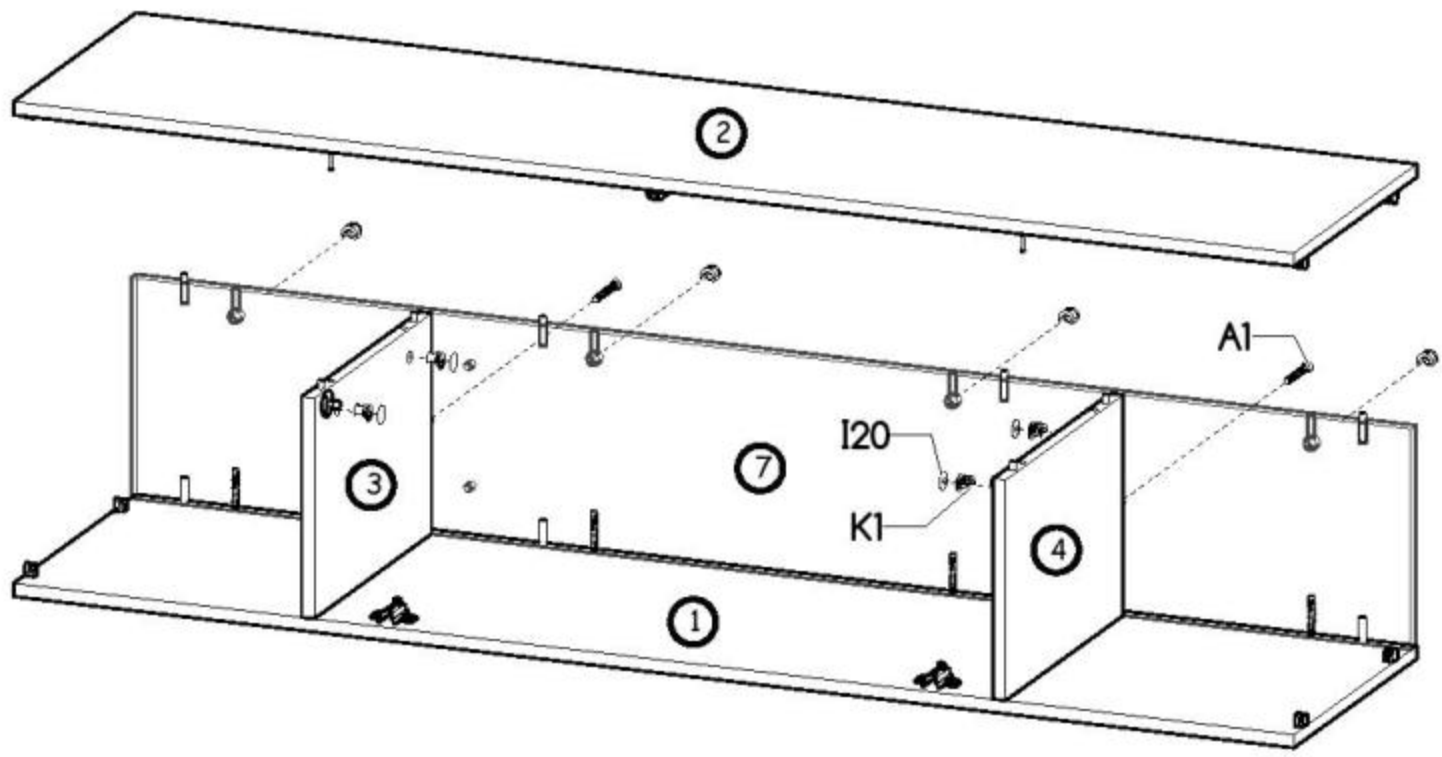
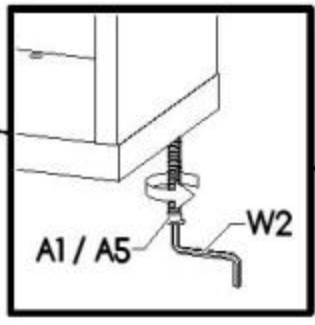
III



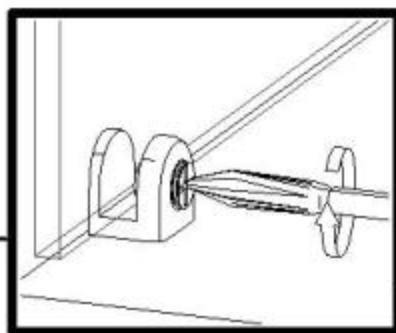
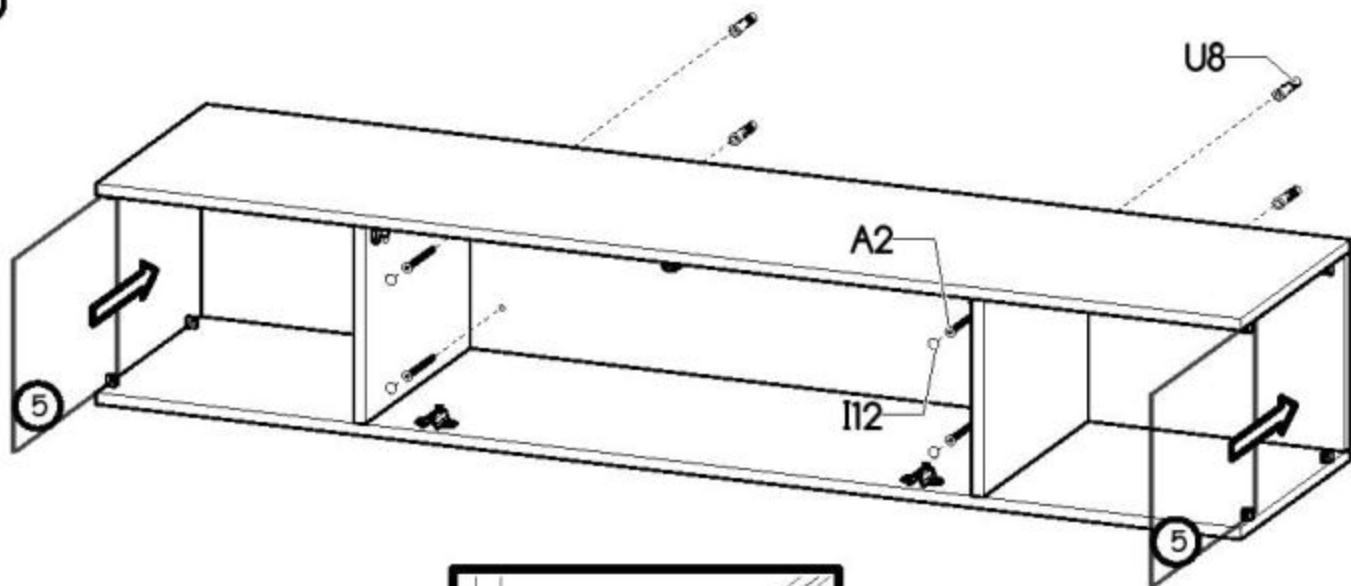
IV



V



VI



VII

