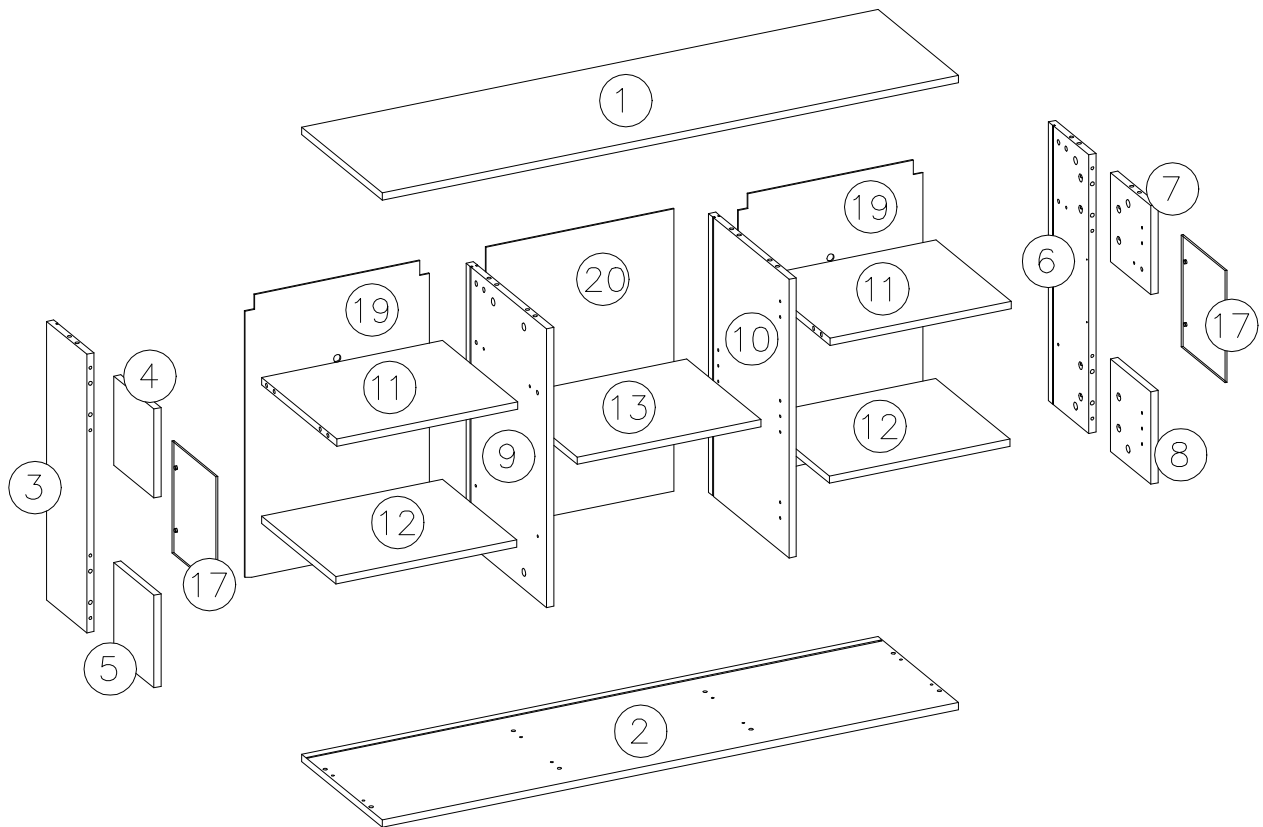

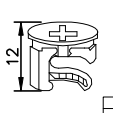
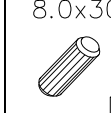
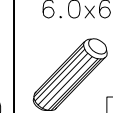
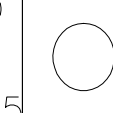
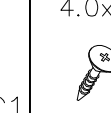
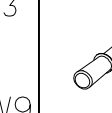
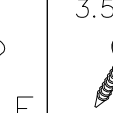
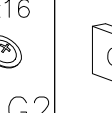
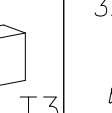

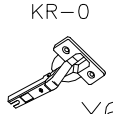
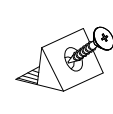
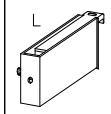
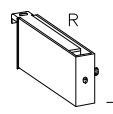
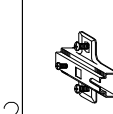


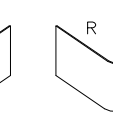
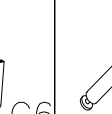
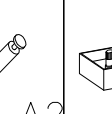
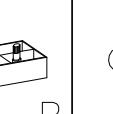
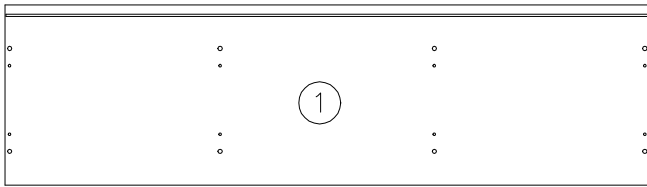
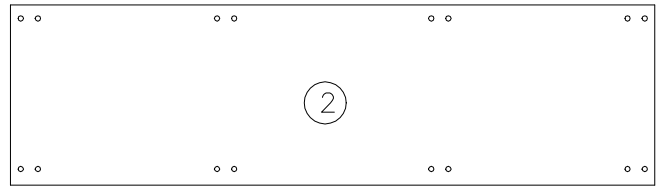

 MAX  
 5kg



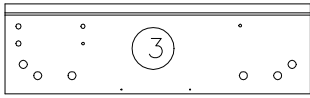
 A	 B	 D	 D5	 C1	 W9	 E	 G2	 T3	 W4	 Y7
24	40	24	8	42	12	12	12	4	4	2
 Y6	 J	 L	 R	 X1	 J2	 L	 R	 A2	 P	 T1
4	18	2	2	6	1	2	2 KPL	8	8	12



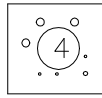
1203x336x15



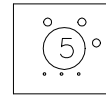
1203x336x15



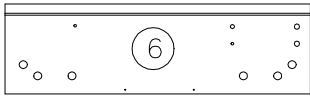
570x168x15



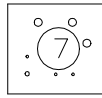
182x168x15



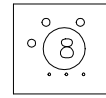
189x168x15



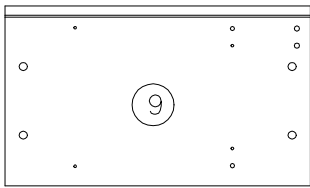
570x168x15



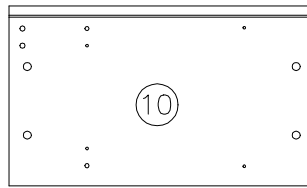
182x168x15



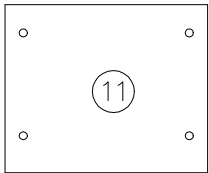
189x168x15



570x336x15

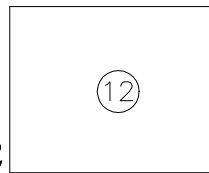


570x336x15



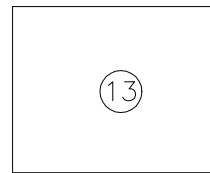
x2

378x314x15



x2

377x310x15



384x310x15



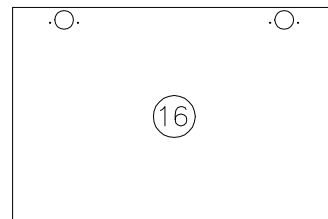
x2

202x397x15

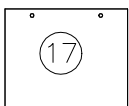


x2

202x397x15

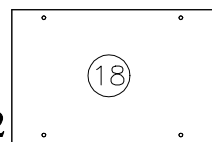


603x397x15



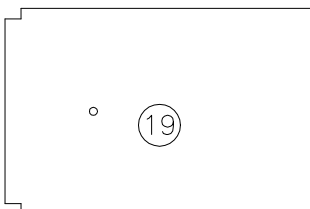
x2

229x183x4



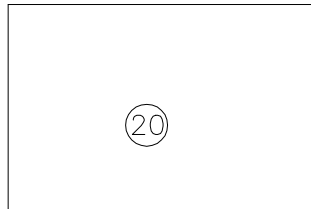
x2

375x249x4

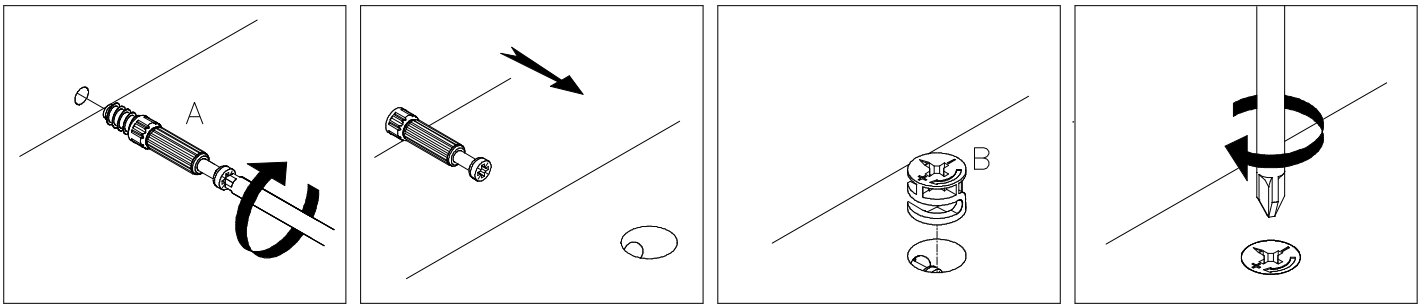


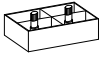
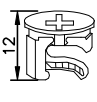


x2

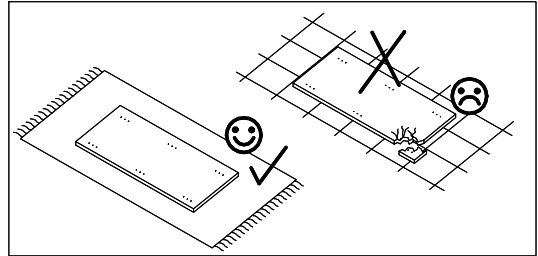
385x577x3



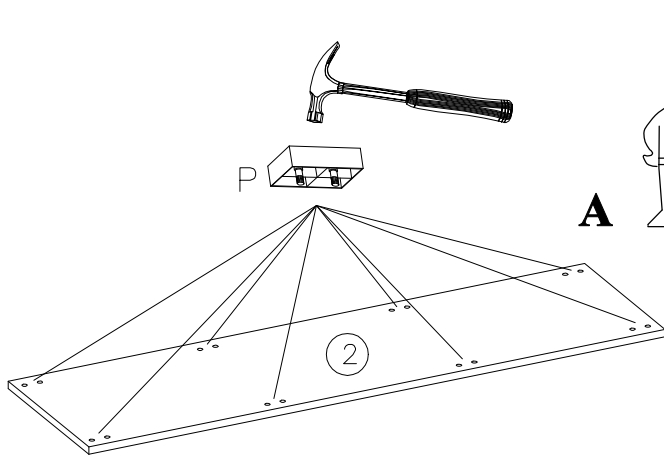
392x577x3



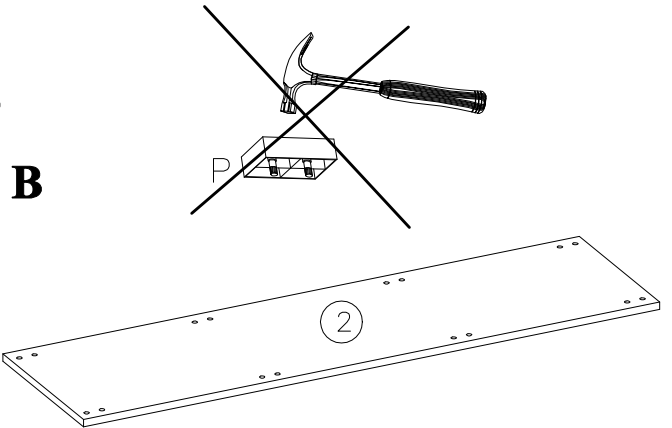
 P	 12 B	 8.0x30 D	 A
8	8	8	16



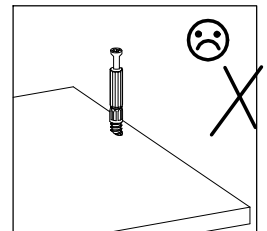
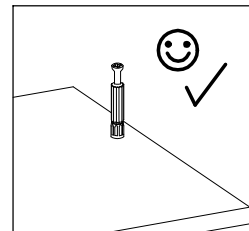
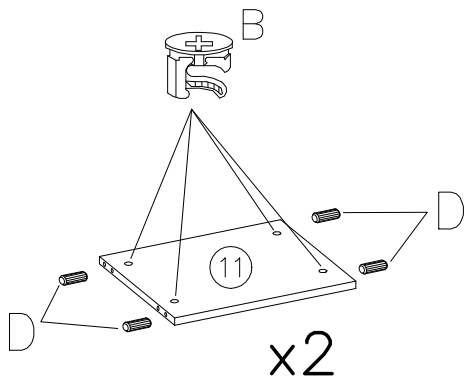
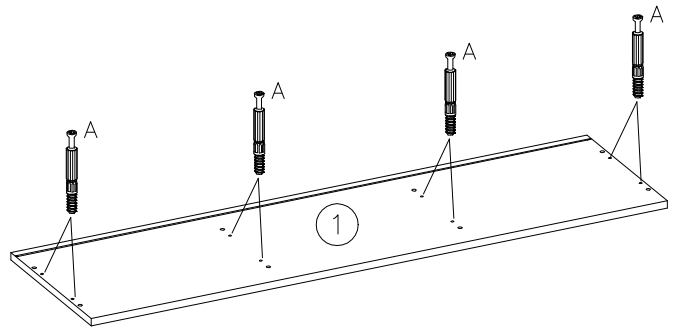
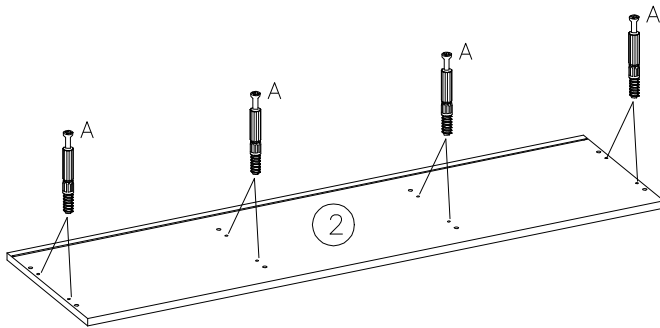
1

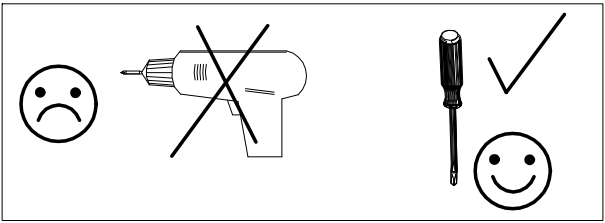


**A**

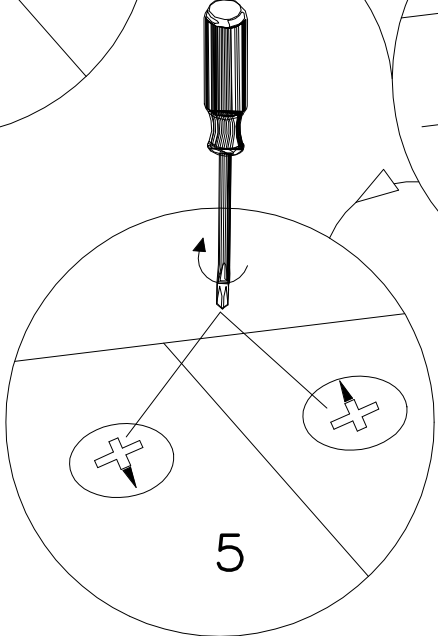
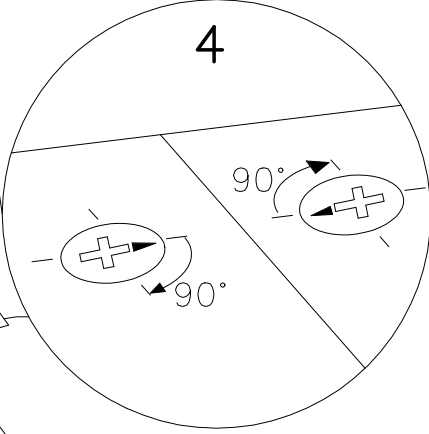
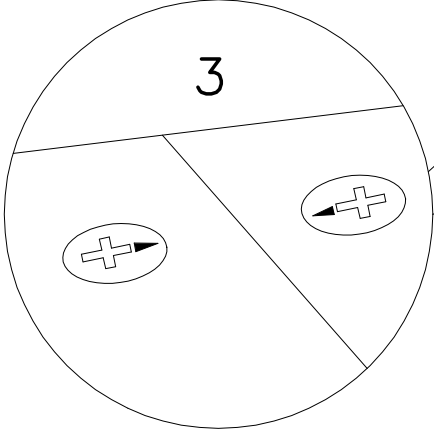
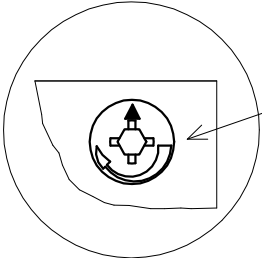
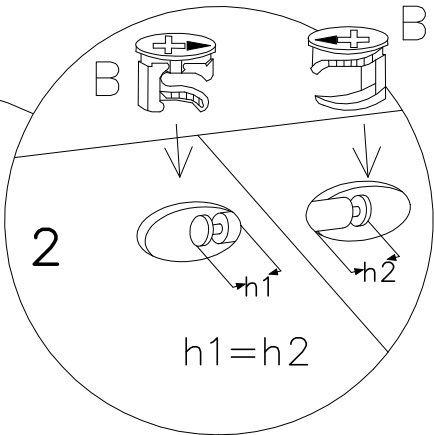
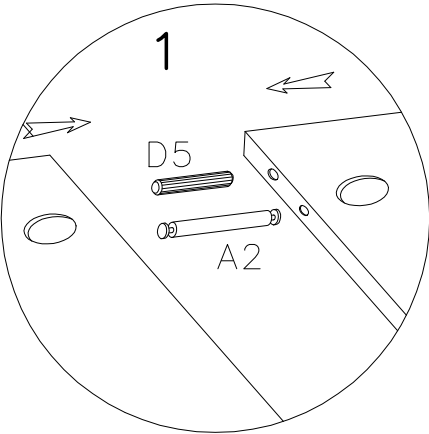
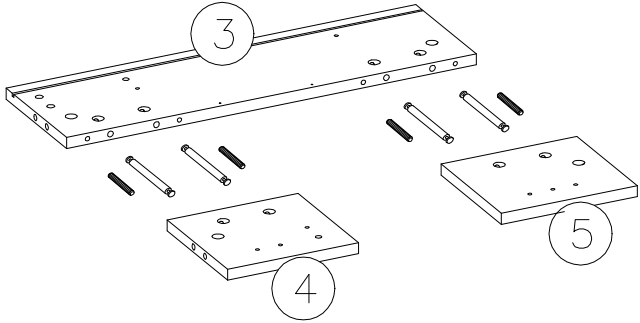


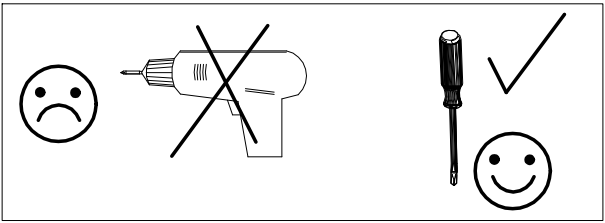
**B**



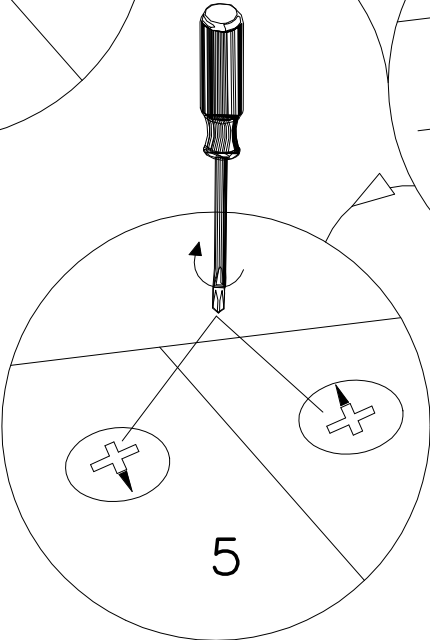
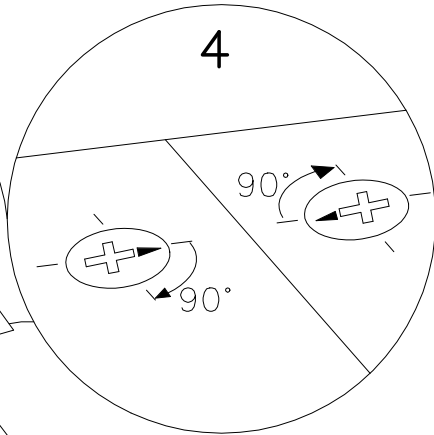
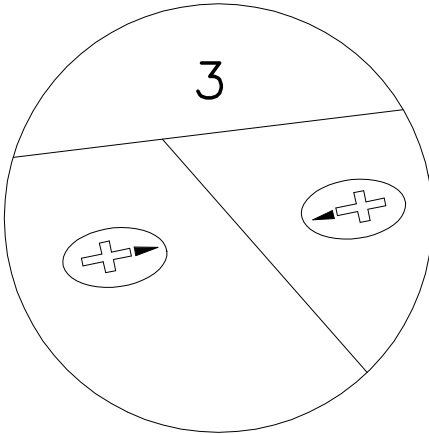
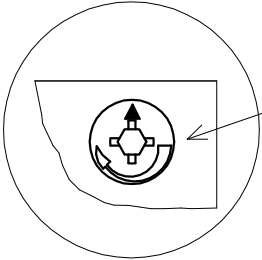
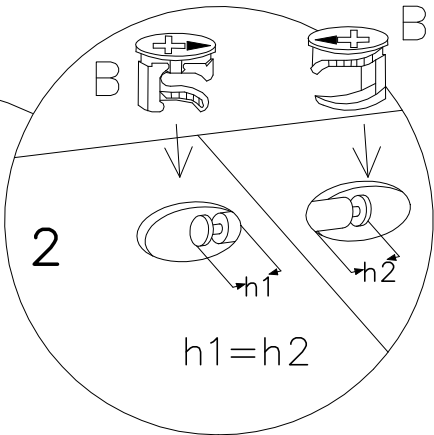
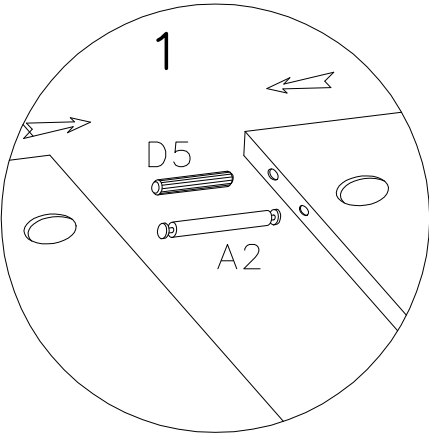
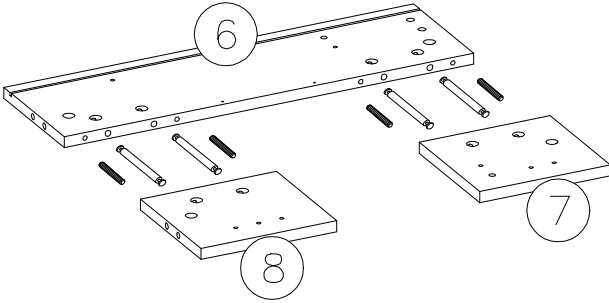


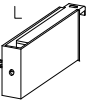
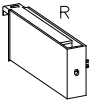
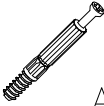
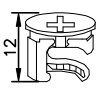
6.0x60 D5	A2	12 B
4	4	8

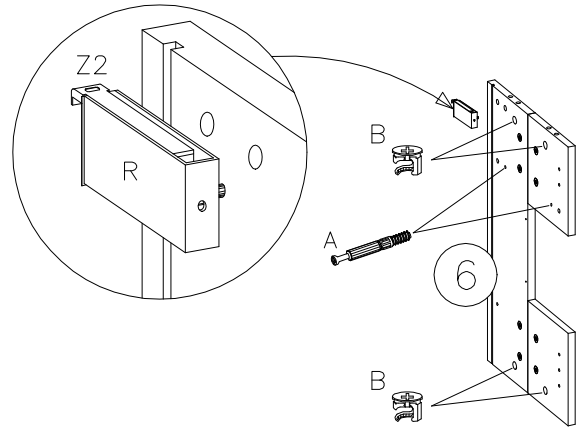
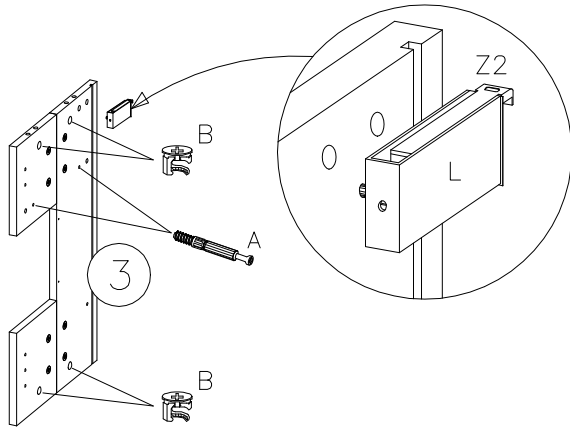


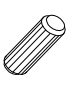
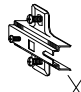


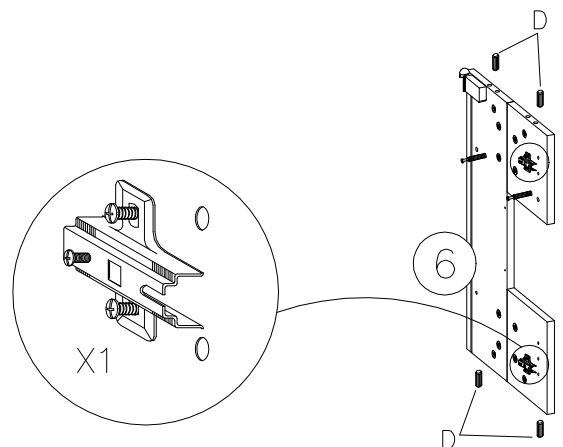
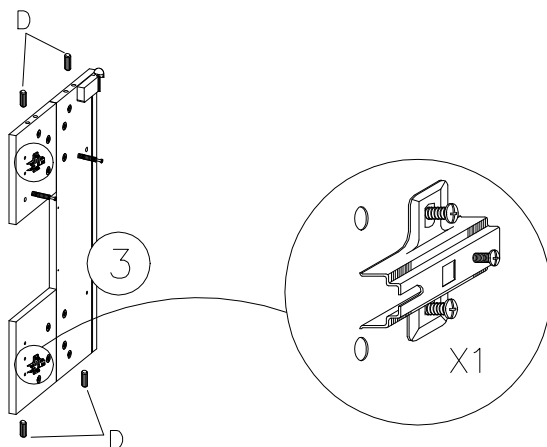
6.0x60 D5	A2	 B
4	4	8





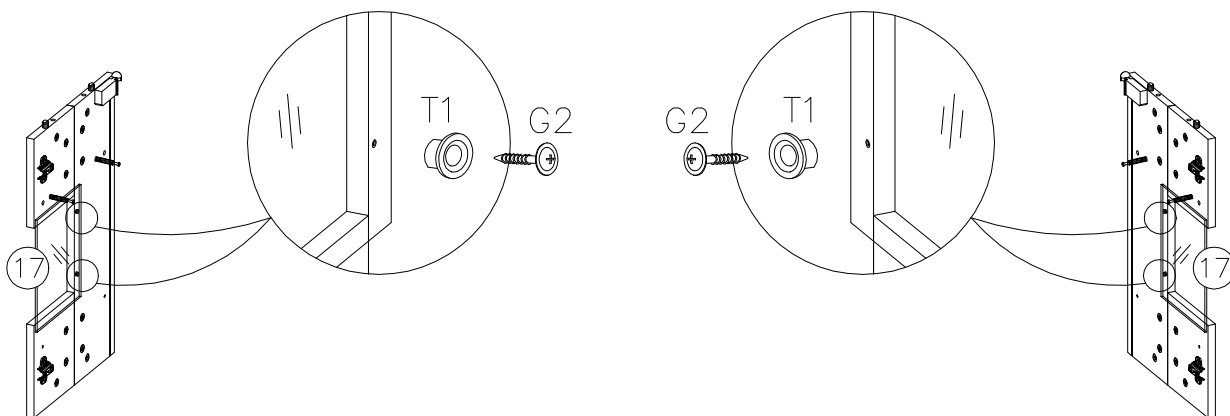
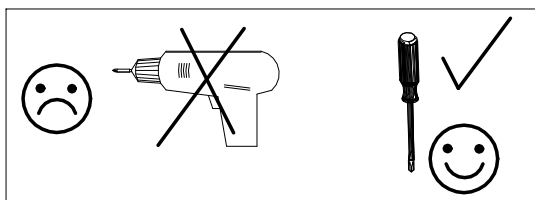
 L	 R	 A	 B
Z2			
1	4	8	





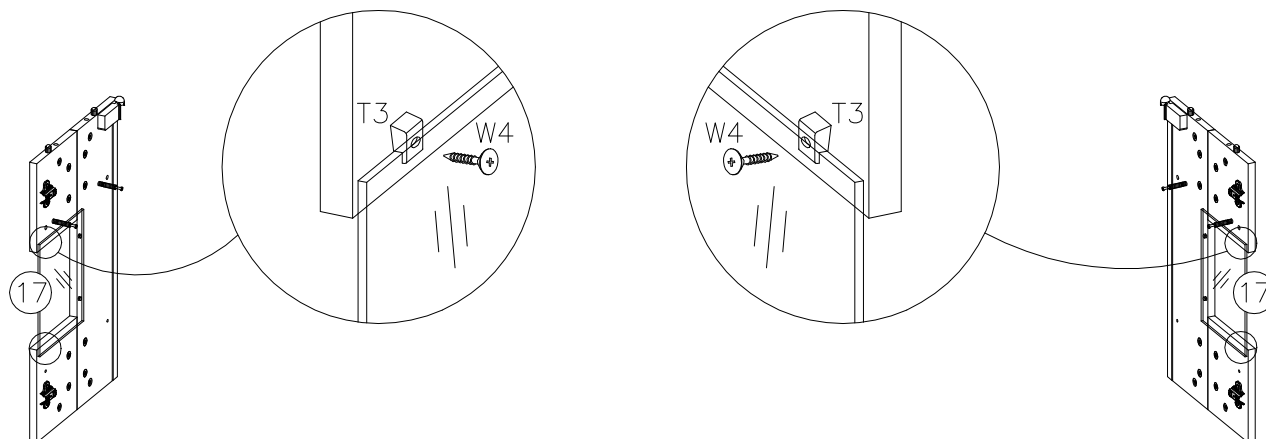
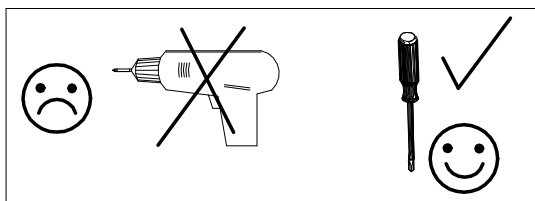
 8.0x30	 X1
D	X1
8	4



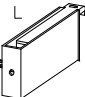
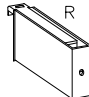

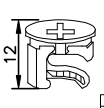
 T1 4	3.5x16  G2 4
---	---

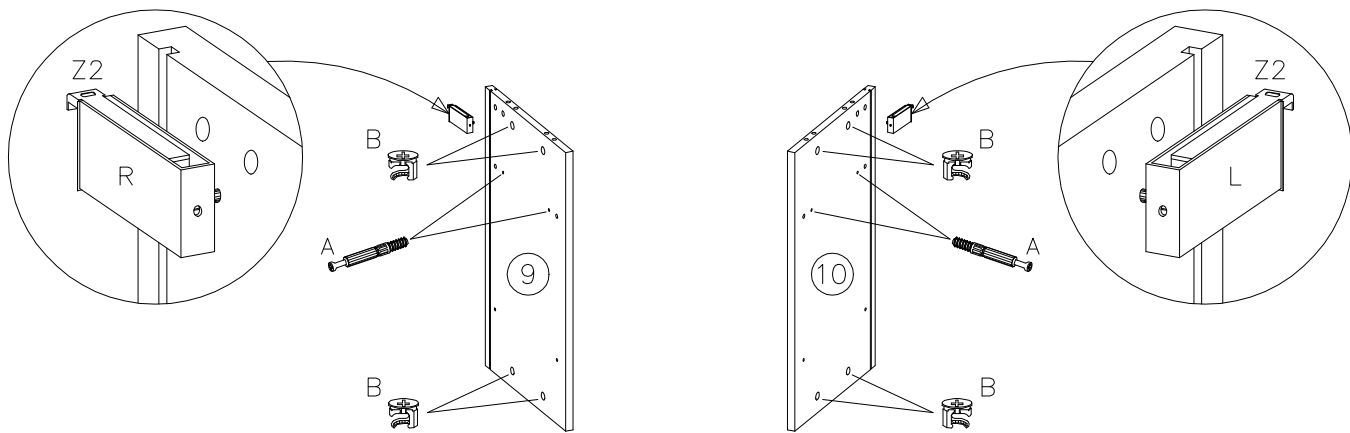


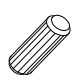
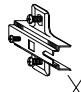
 T3 4	3.0x15  W4 4
--	--

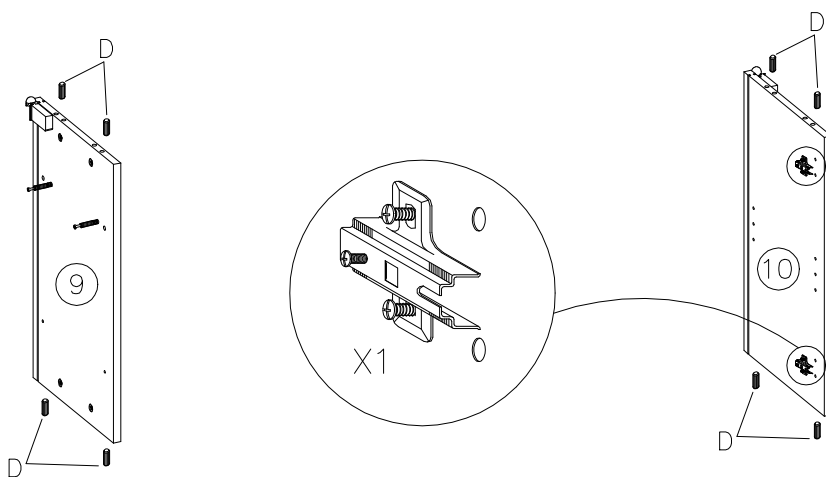


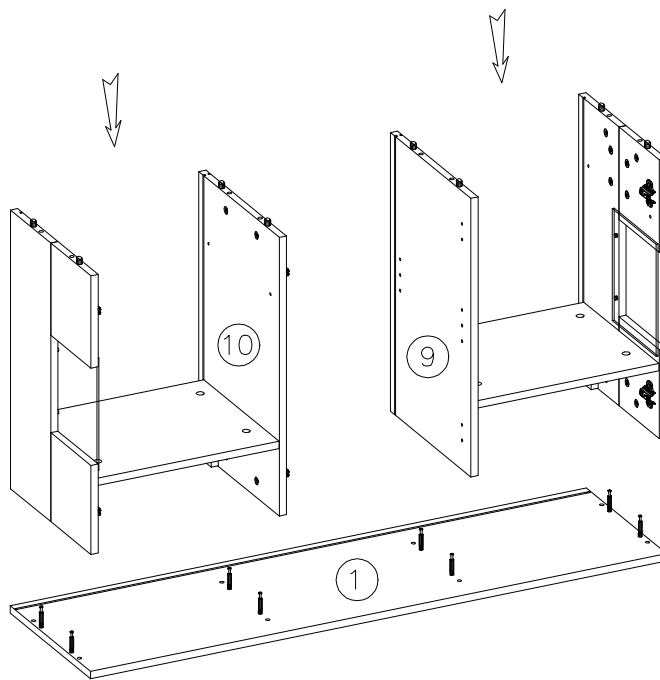
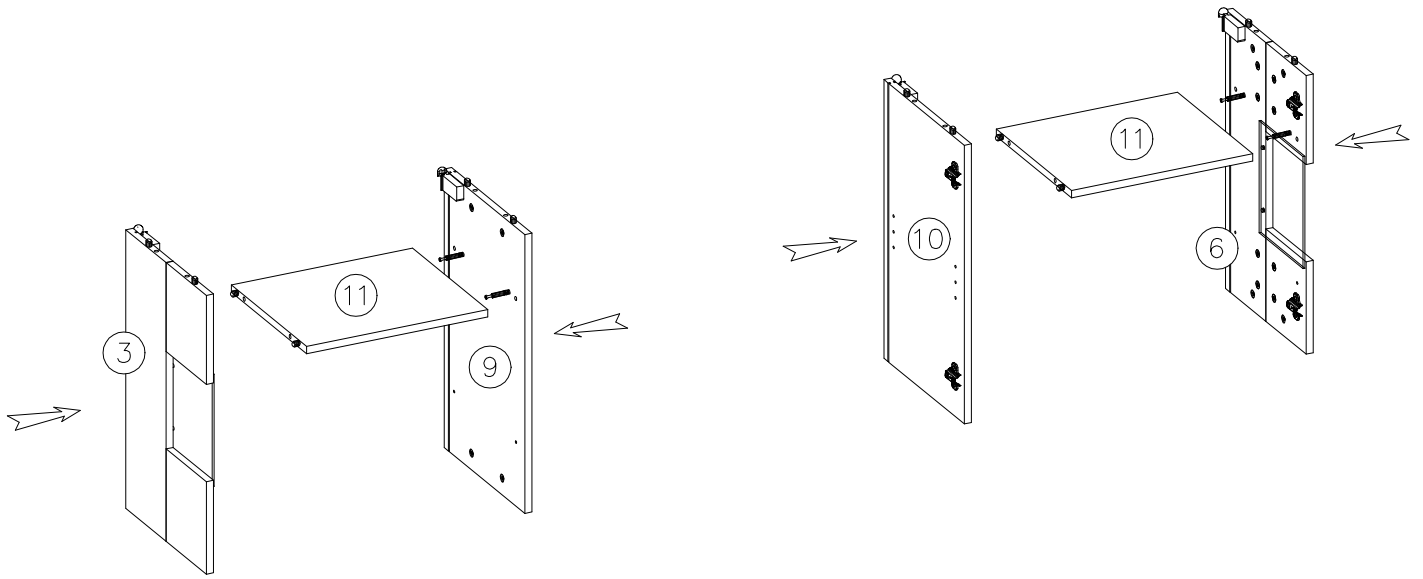


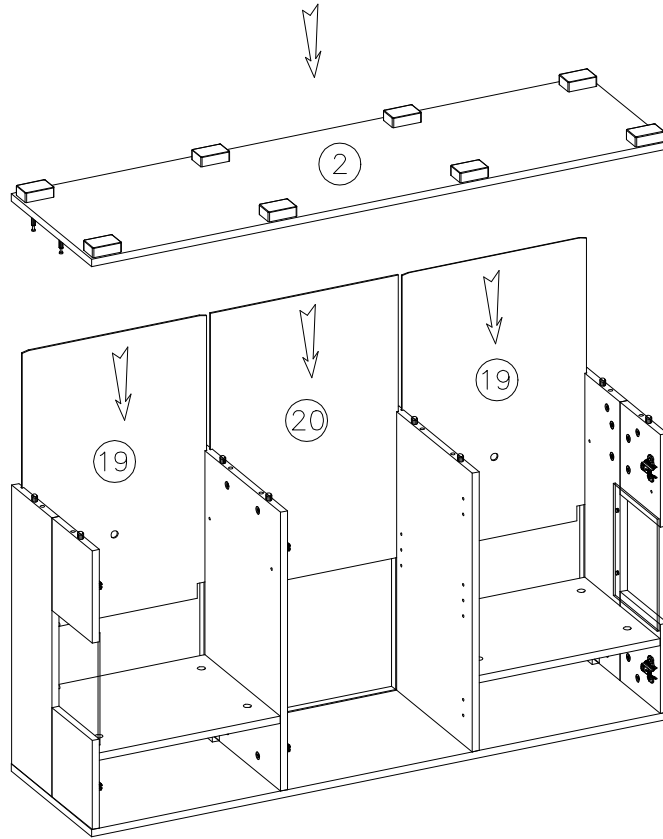
 L	 R	 A	 B
Z2			
1	4	8	

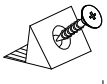
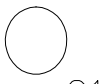


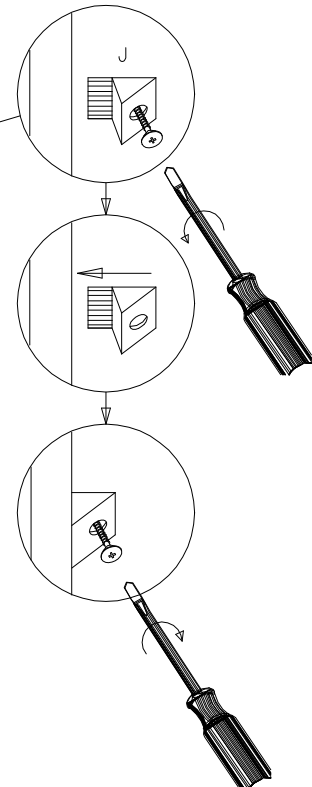
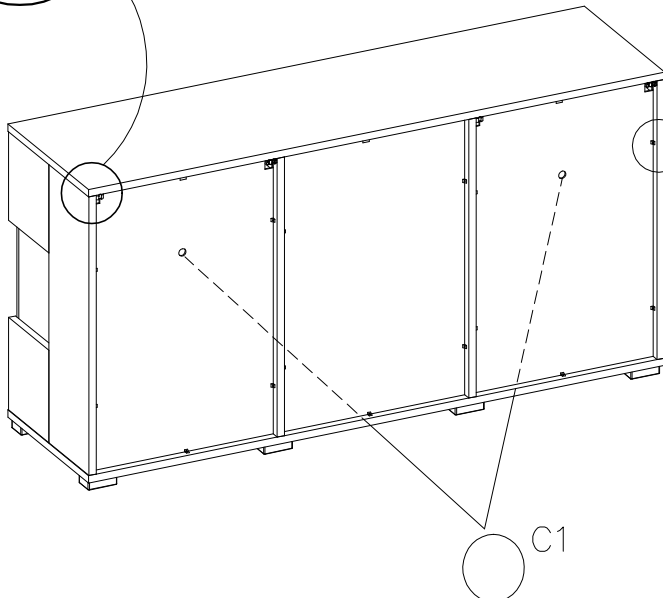
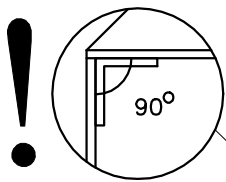
 8.0x30	 X1
D	X1
8	2

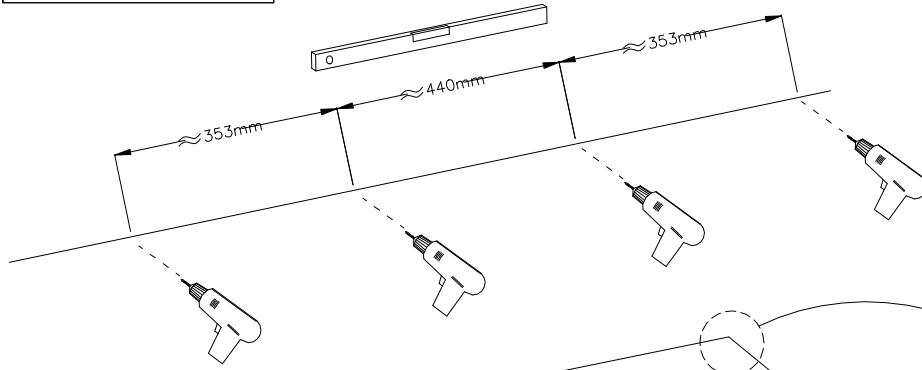
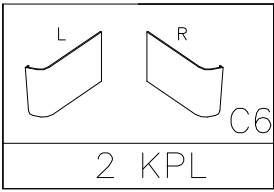




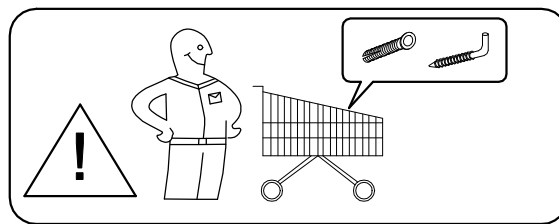
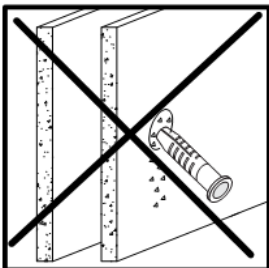
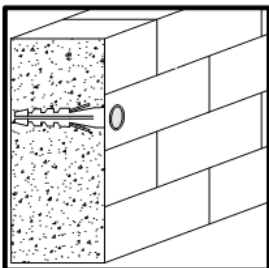
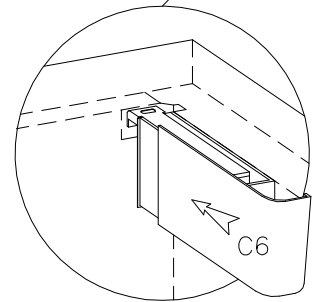
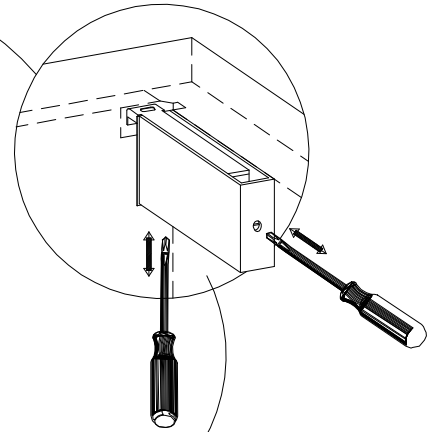
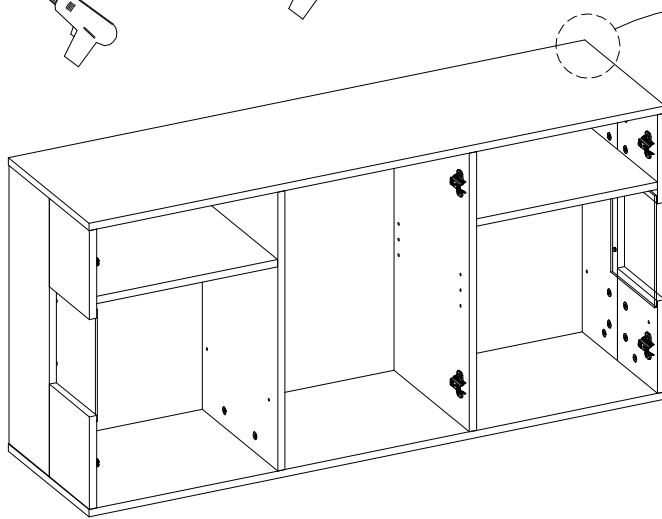



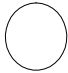
	
J	C1
18	2

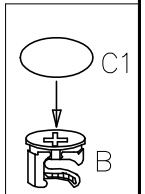
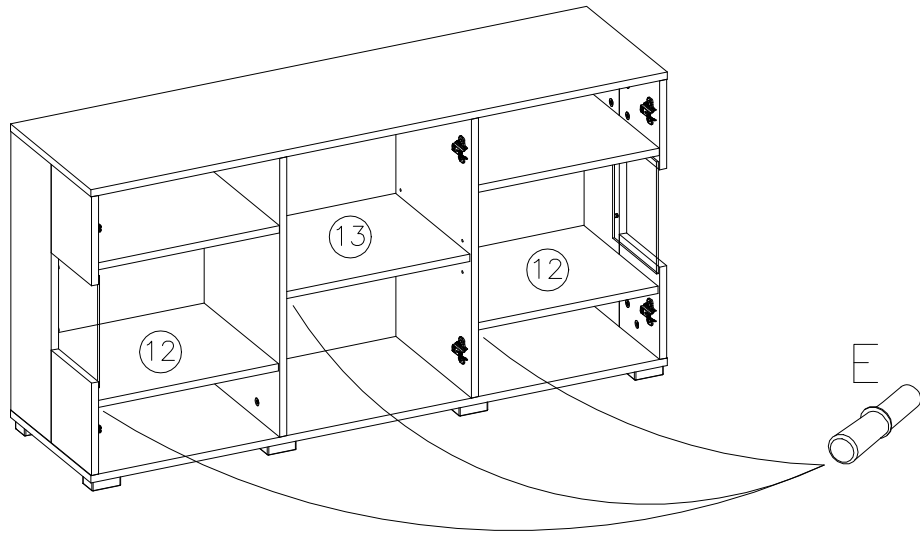


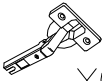





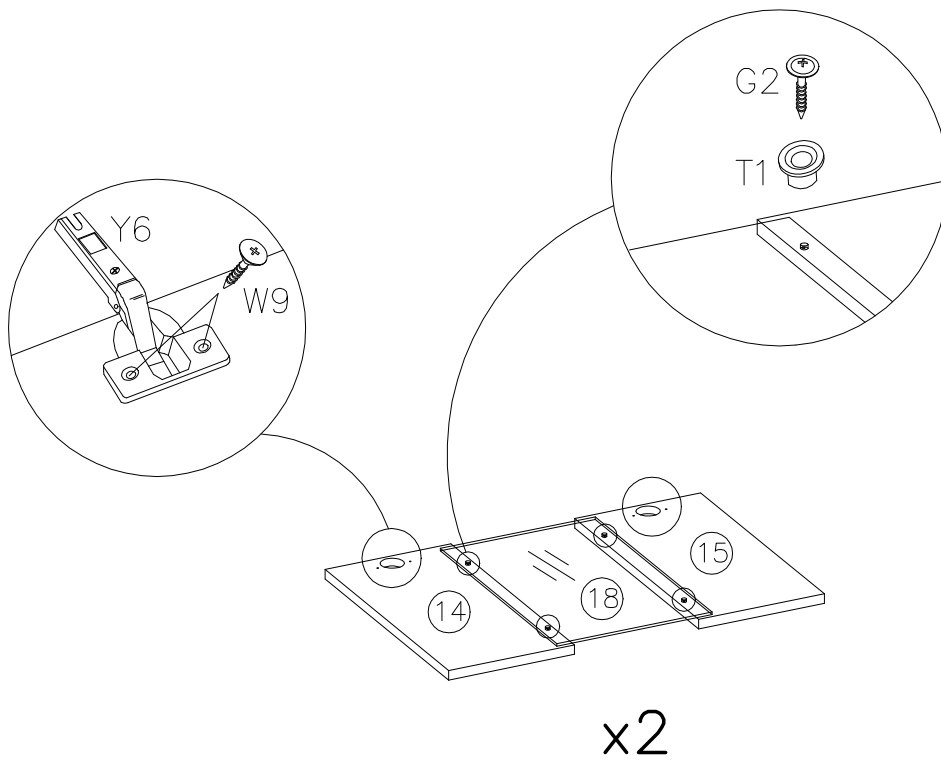
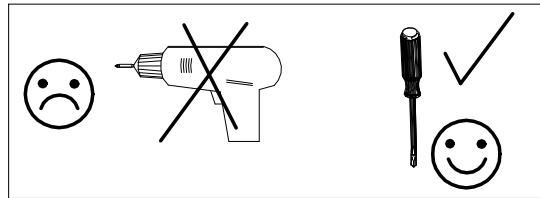
~~A~~ B

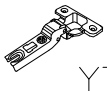



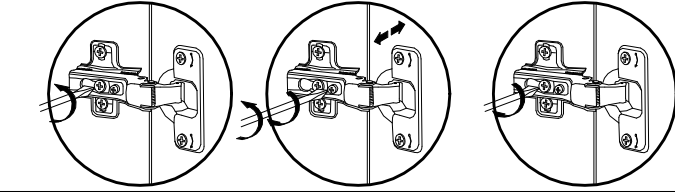
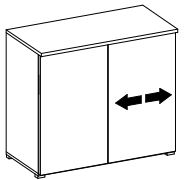
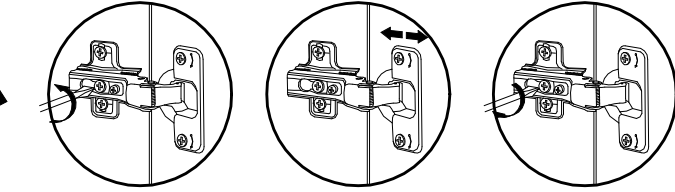
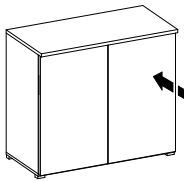
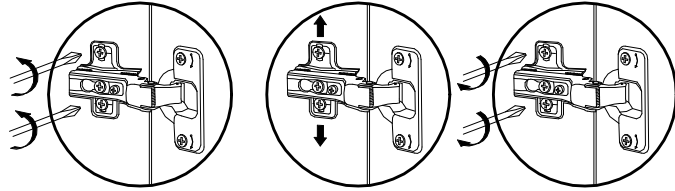
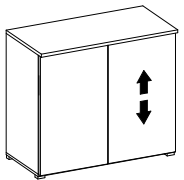
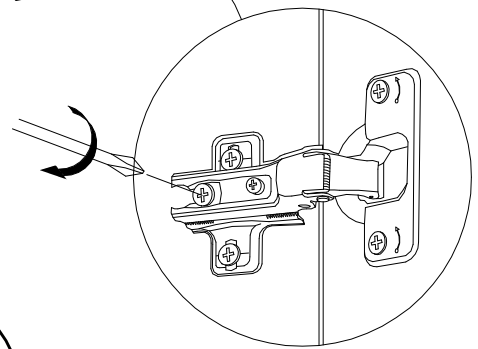
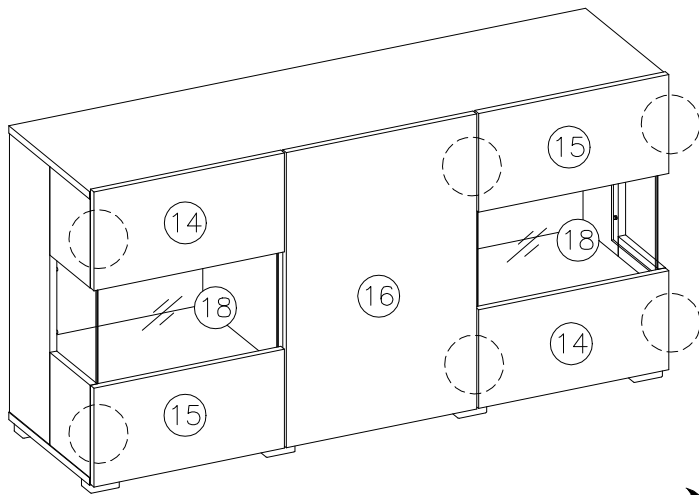
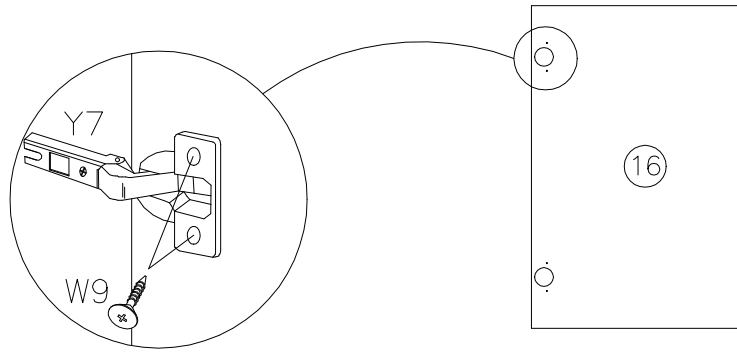
 E	 C1
12	40



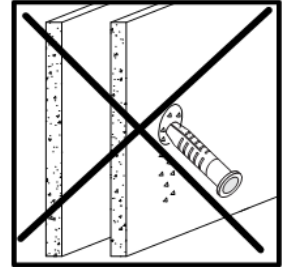
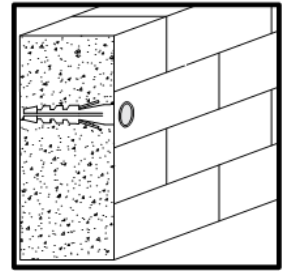
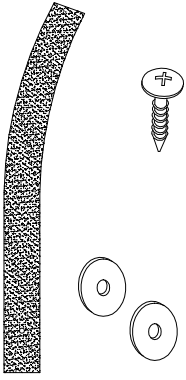
KR-0  Y6	4.0x13  W9	 T1	3.5x16  G2
4	8	8	8



KR-8	4.0x13
 Y7	 W9
2	4



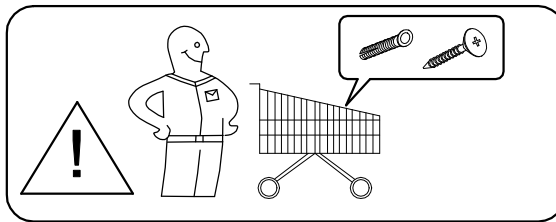
1



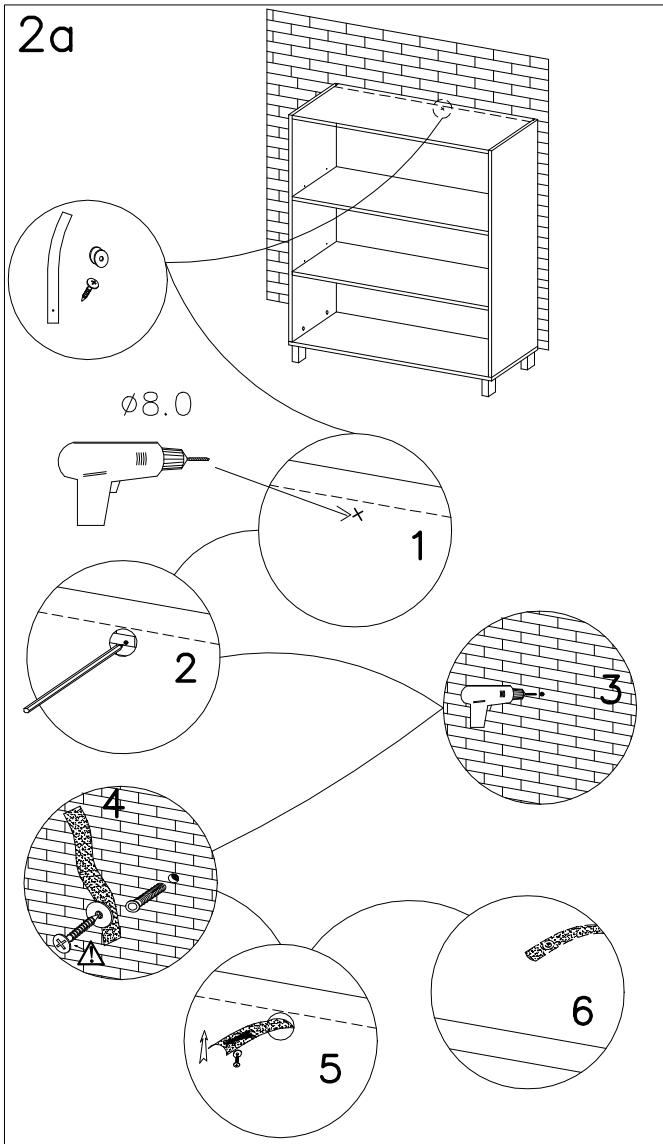
**A**



~~**B**~~



2a



2b

