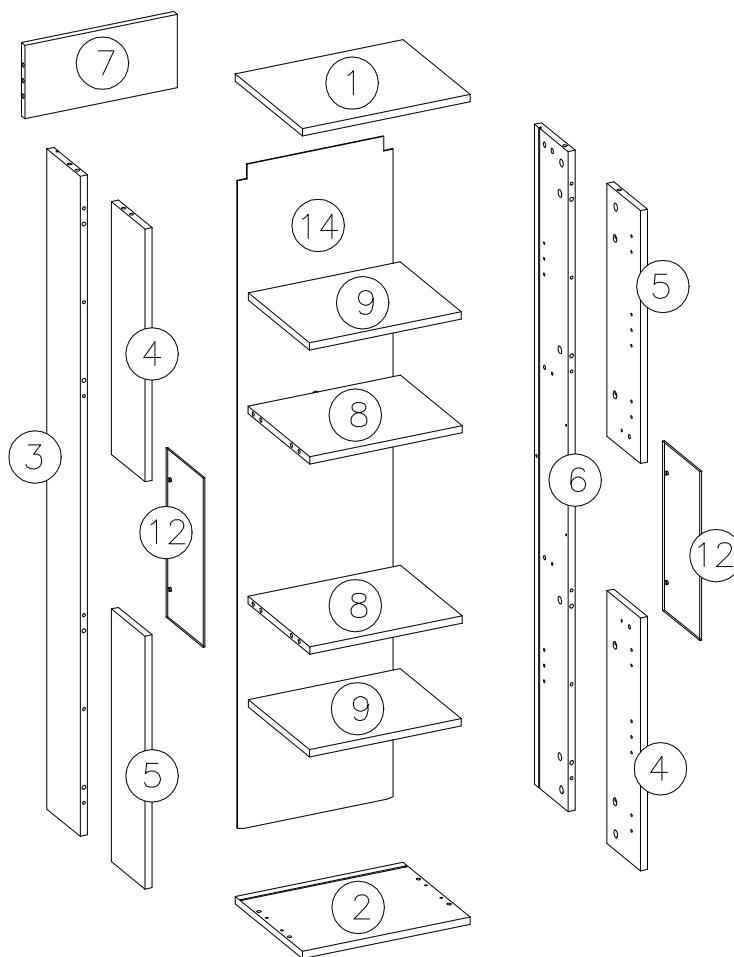
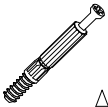
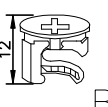
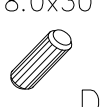
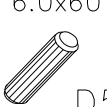
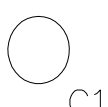
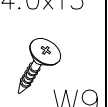
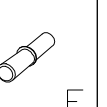

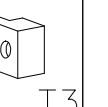

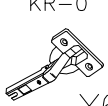
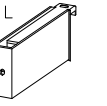
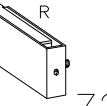
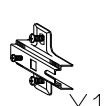
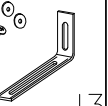
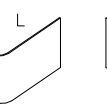
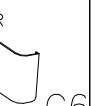
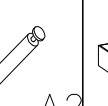
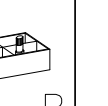

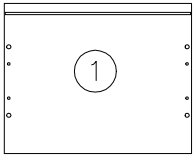


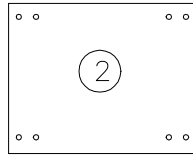

(8)
(9)
 MAX
 5kg



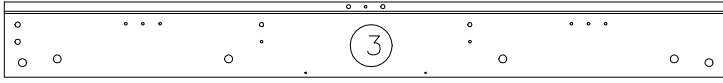
 A	 B	 D	 D5	 C1	 W9	 E	 G2	 T3	 W4	
18	34	20	12	33	8	8	8	4	4	
KR-0	 Y6	 L	 R	 X1	 J3	 L	 R	 A2	 P	 T1
4	10	1	1	4	2	1 KPL	1	8	4	8



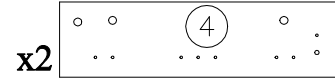
350x280x15



350x280x15

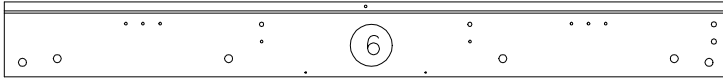


1350x140x15



x2

517x140x15



1350x140x15

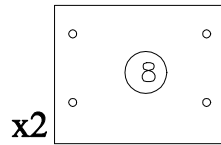


x2

517x140x15

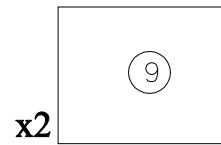


318x150x15



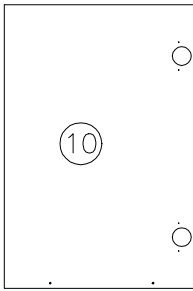
x2

318x258x15

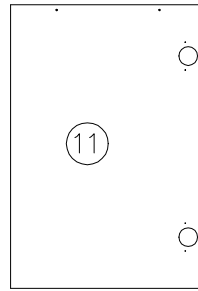


x2

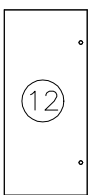
317x255x15



530x355x15

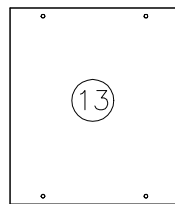


530x355x15



x2

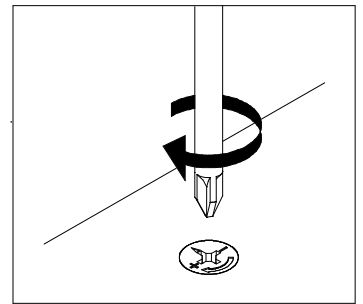
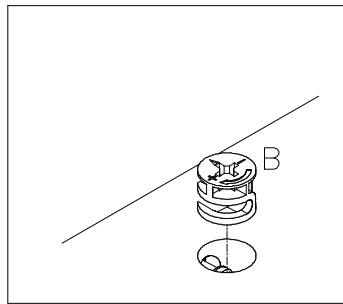
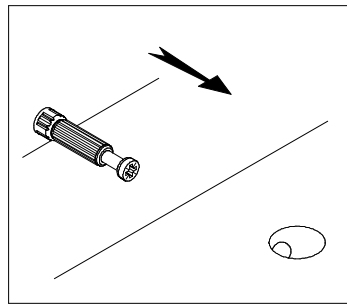
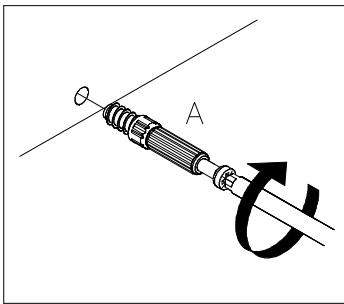
346x155x4



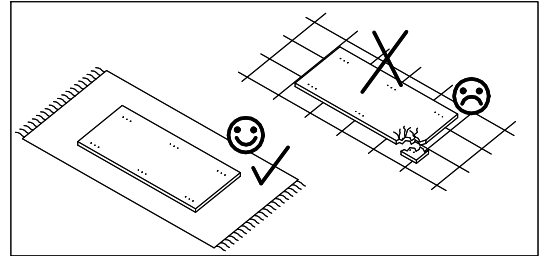
366x315x4



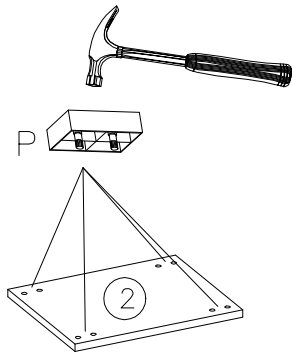
325x1357x3



 P	 B	8.0x30 D	 A
4	10	12	8



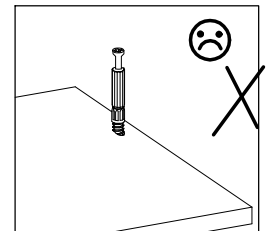
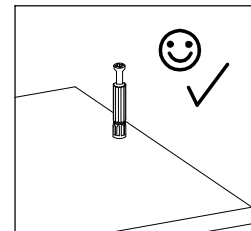
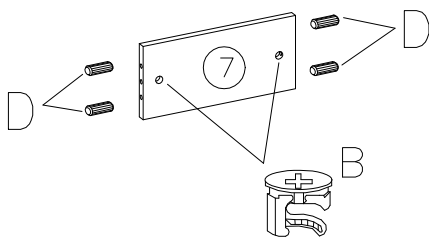
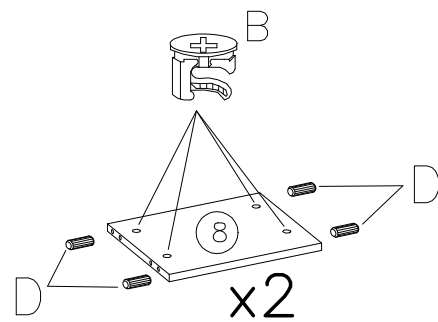
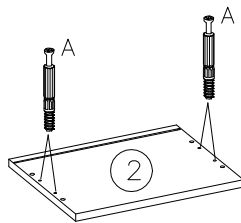
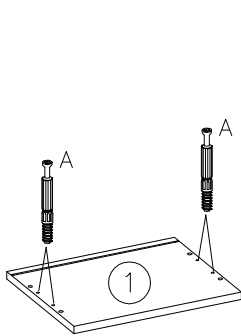
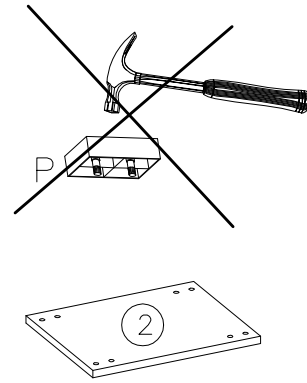
1

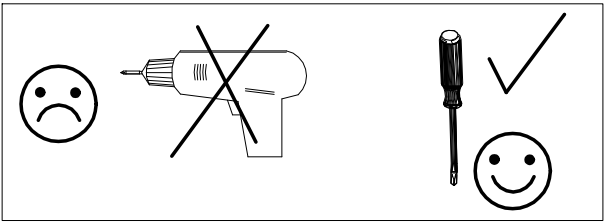


A

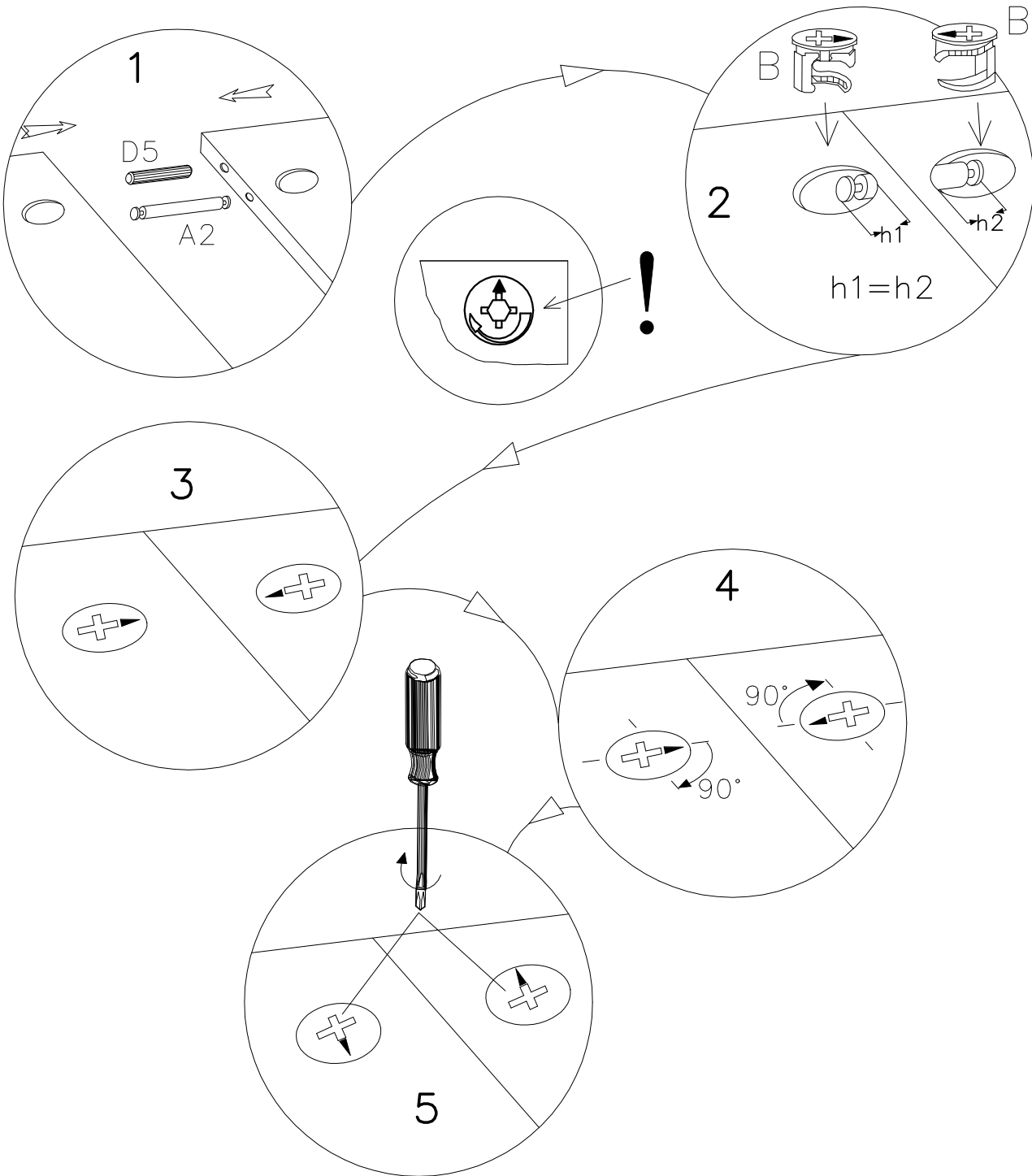
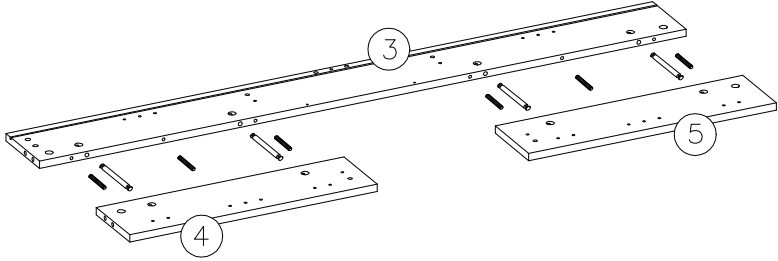


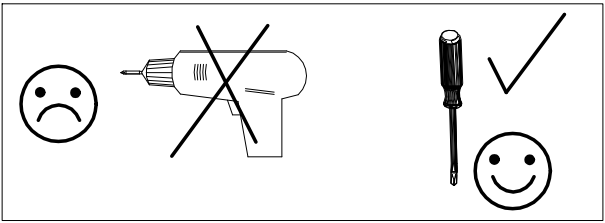
B



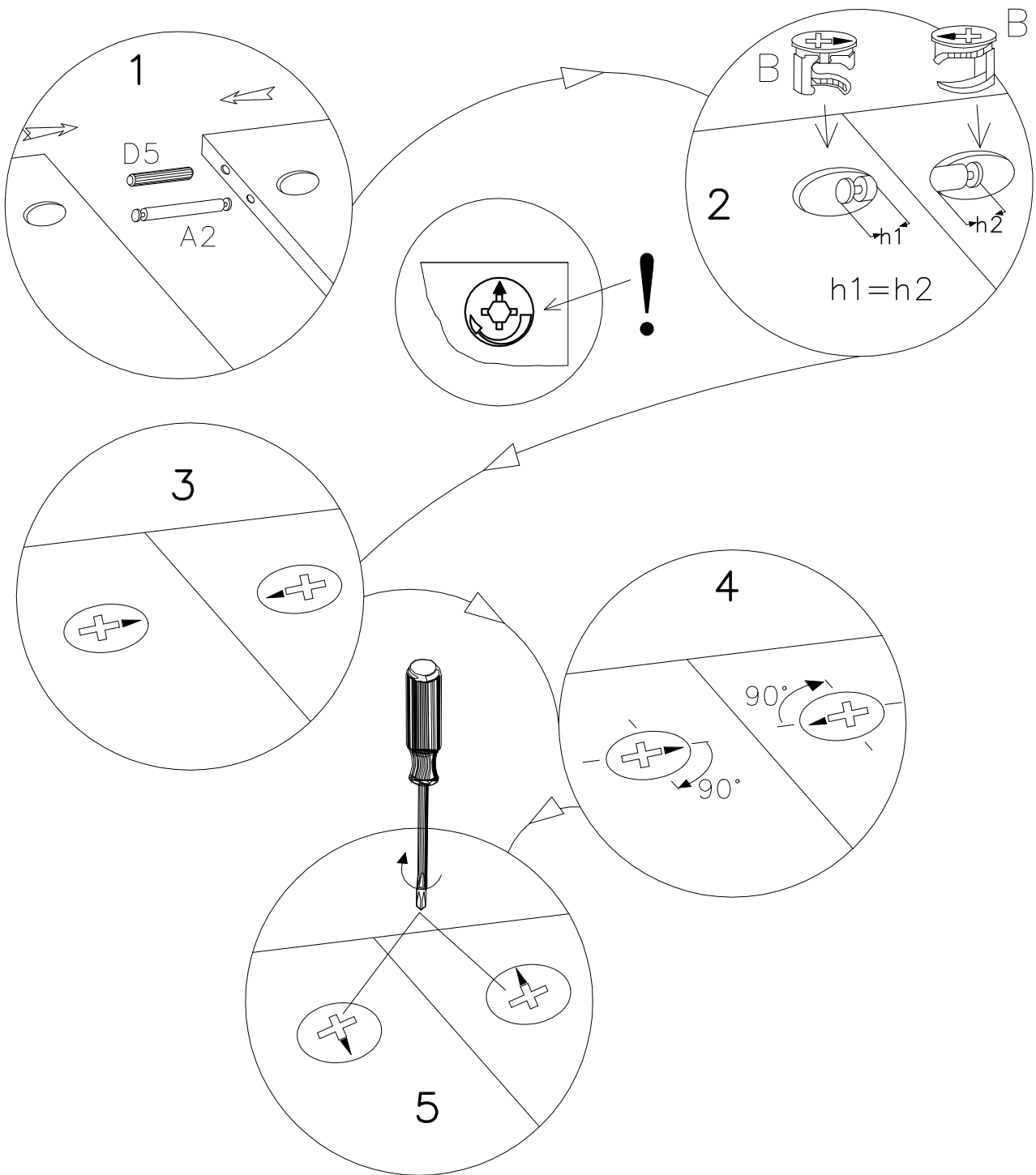
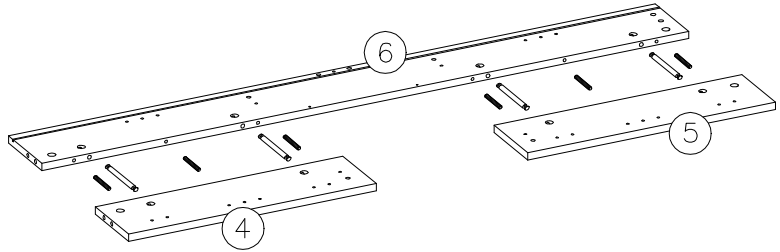


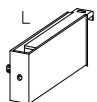
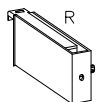
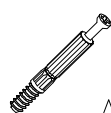
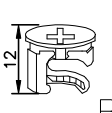
6.0x60 D5	A2	12 B
6	4	8

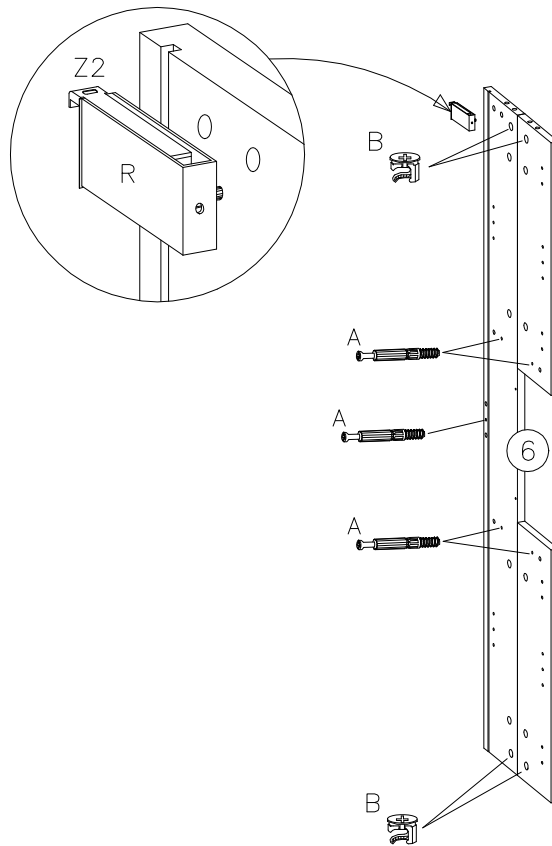
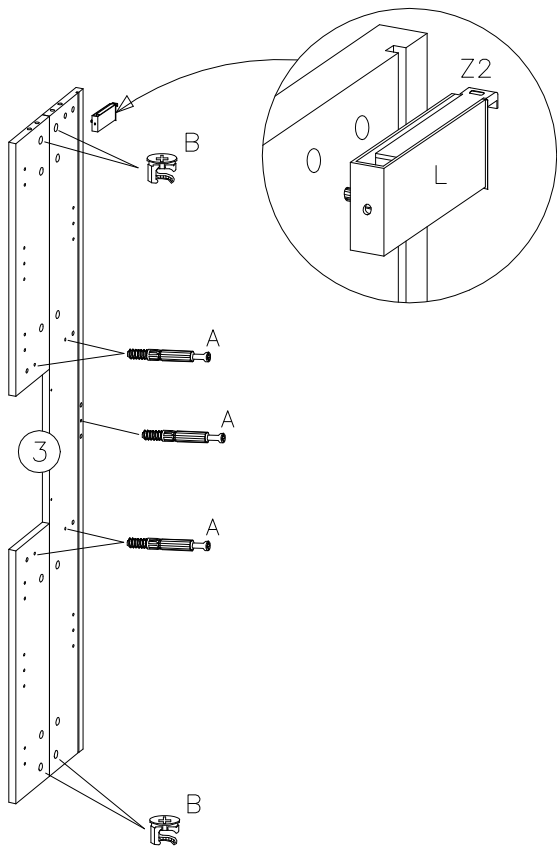


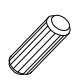


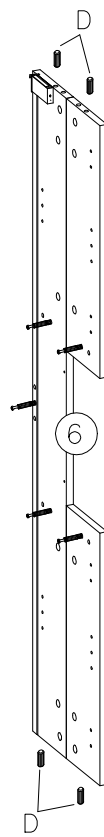
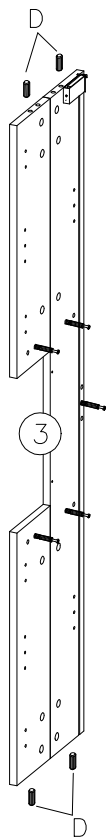
6.0x60 D5	A2	12 B
6	4	8





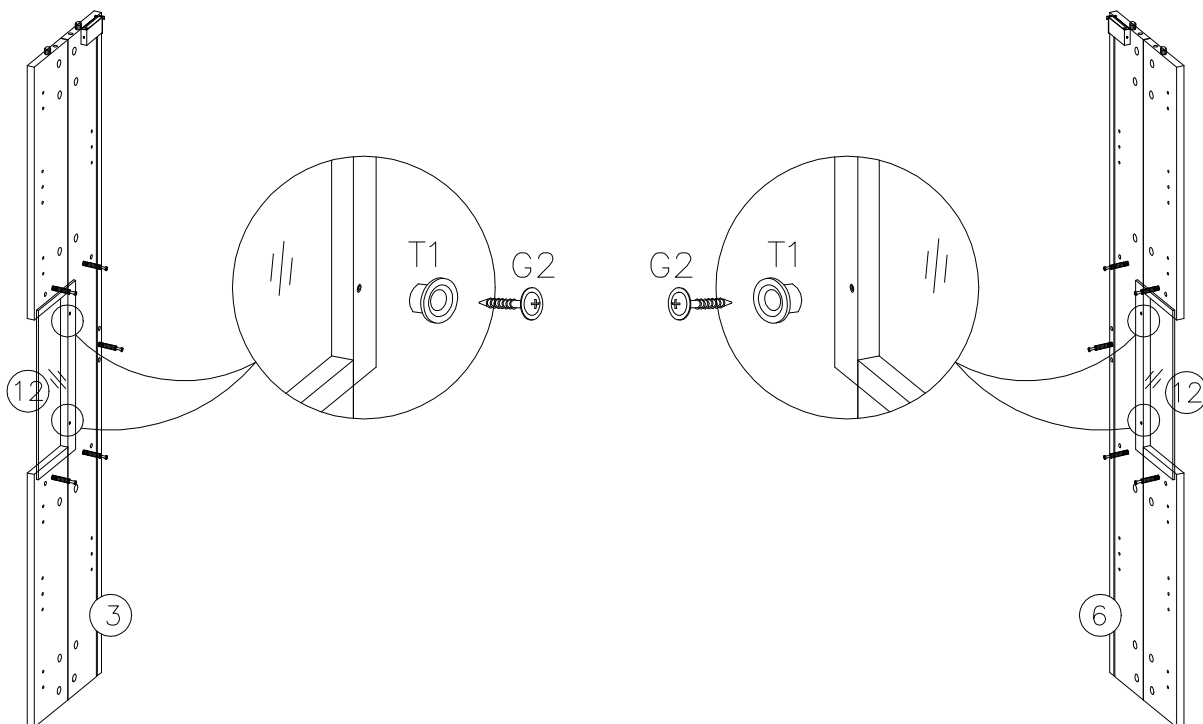
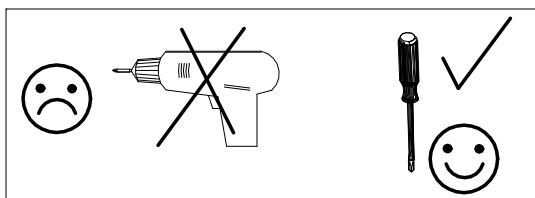
 L	 R	 A	 B
1	Z2	10	8

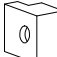



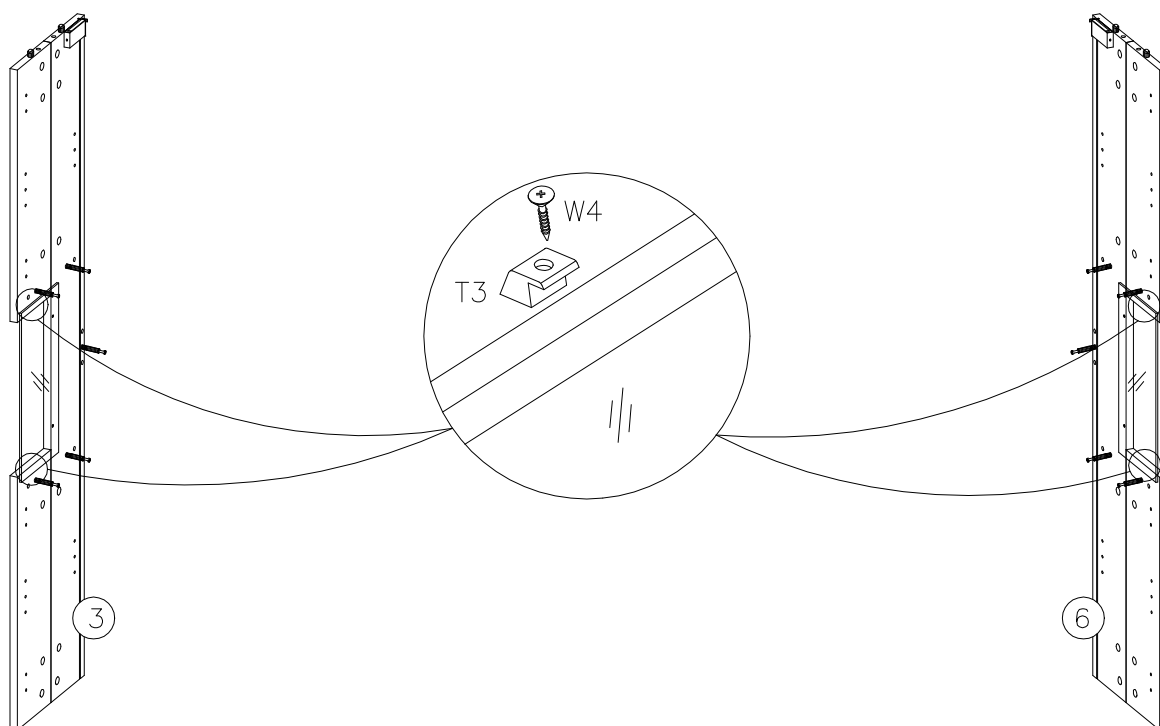
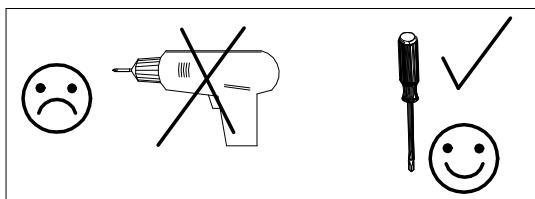
 8.0x30
D
8

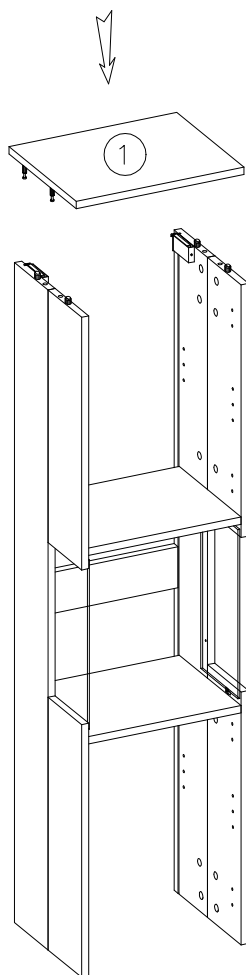
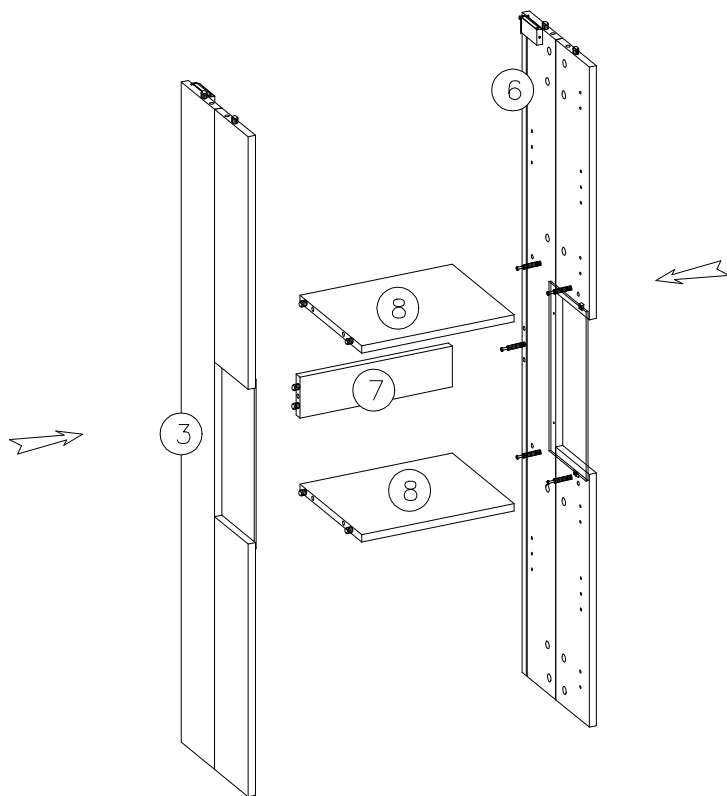


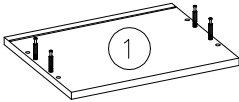
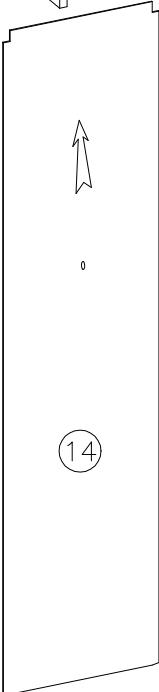
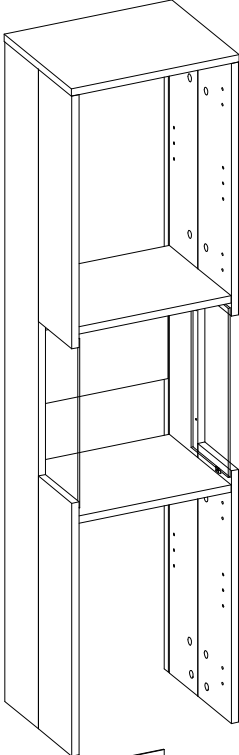
	3.5x16 
T1 4	G2 4

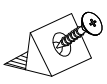
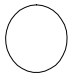


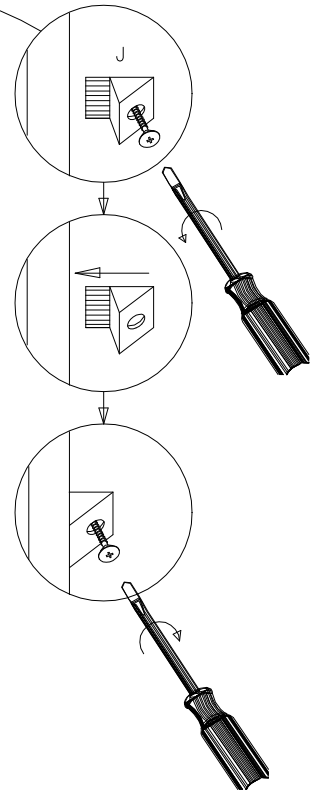
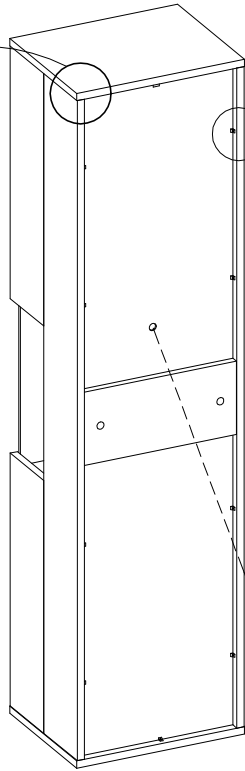
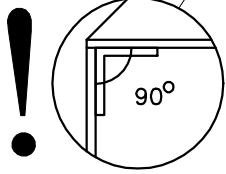
	3.0x15 
T3 4	W4 4

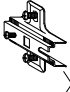






 J	 C1
10	1



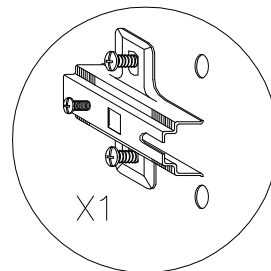
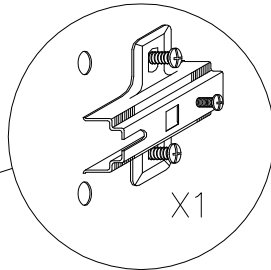
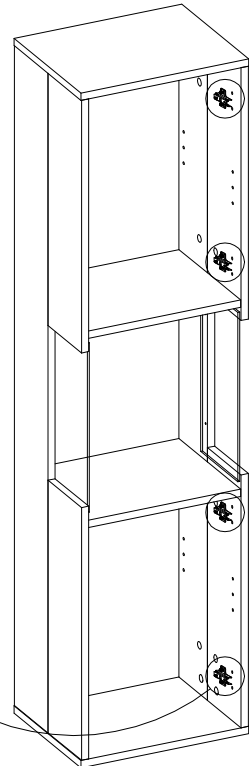
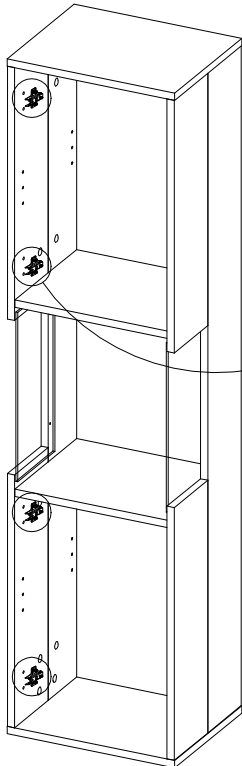
 X1
4

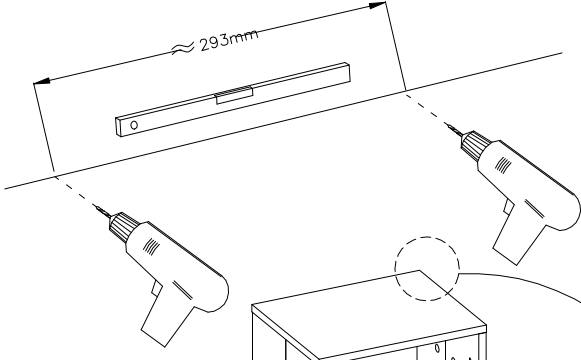
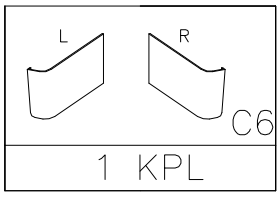
L/R



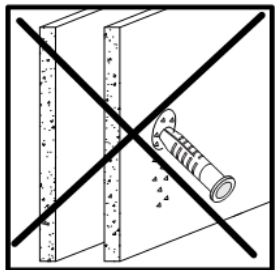
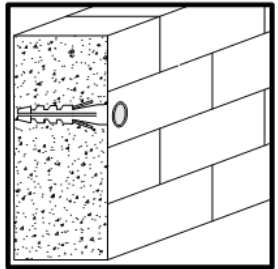
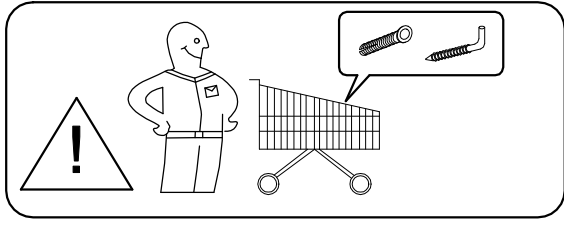
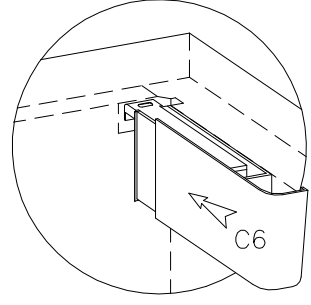
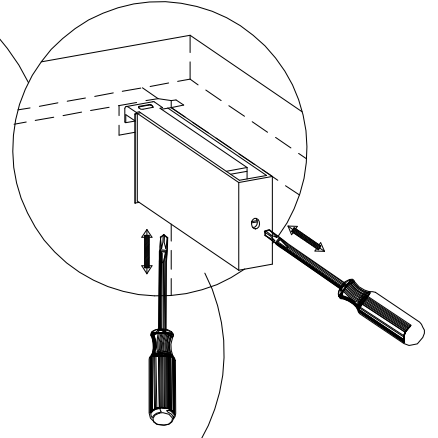
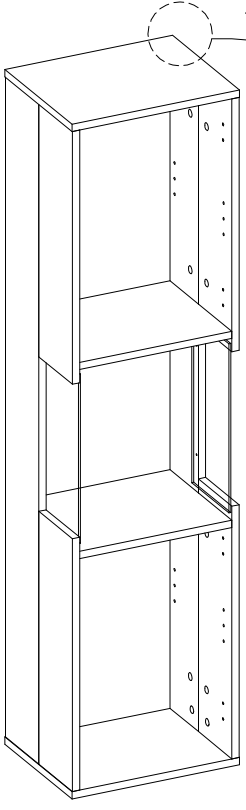
L


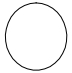
R

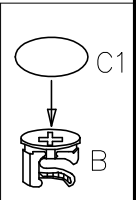
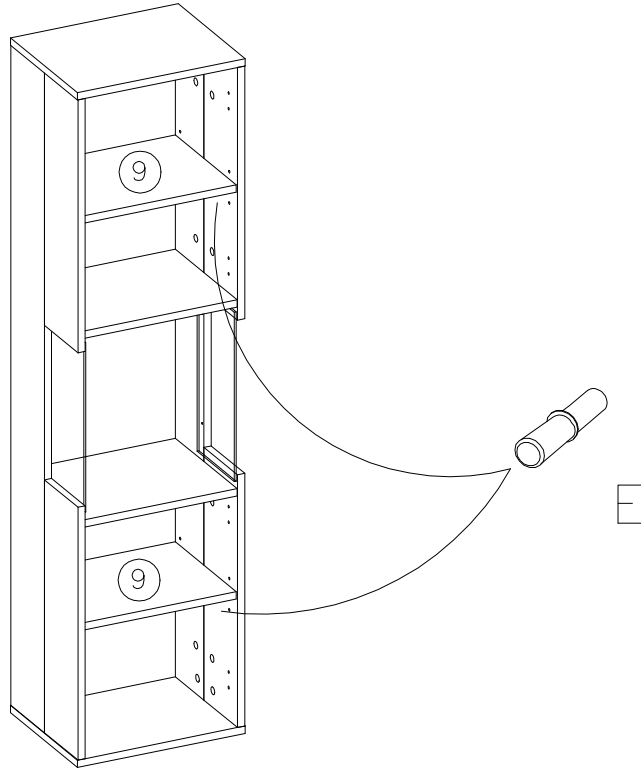


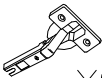





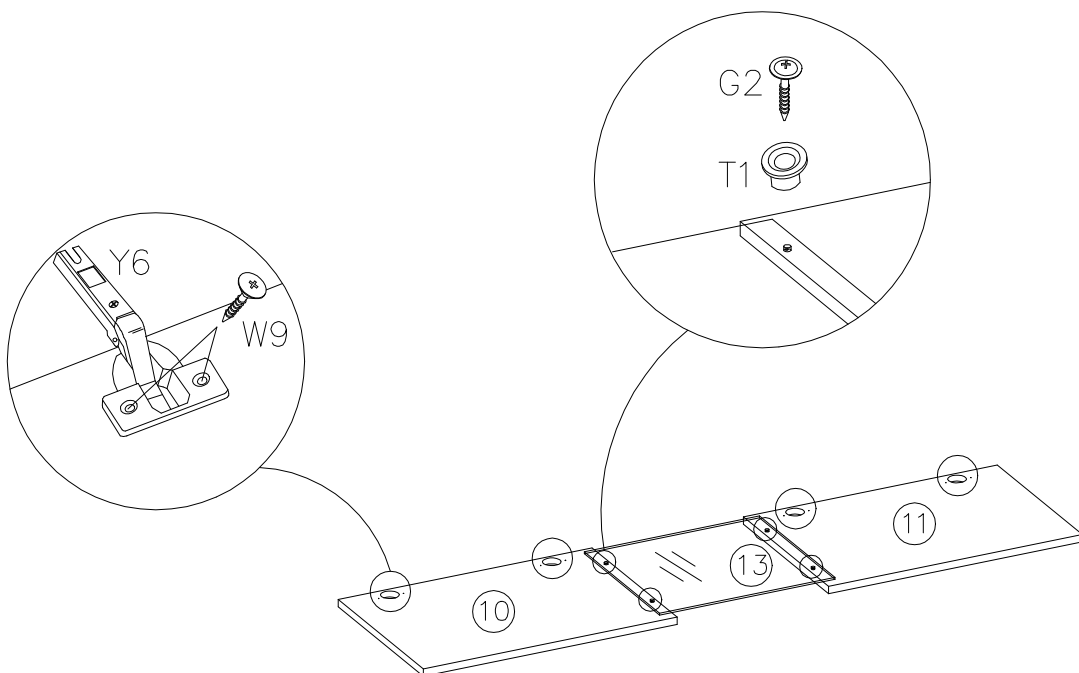
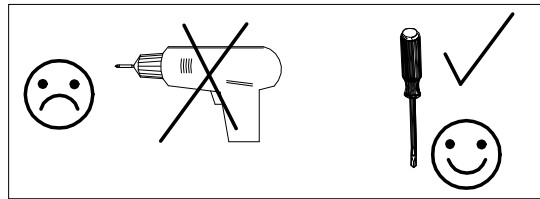
~~A~~ B

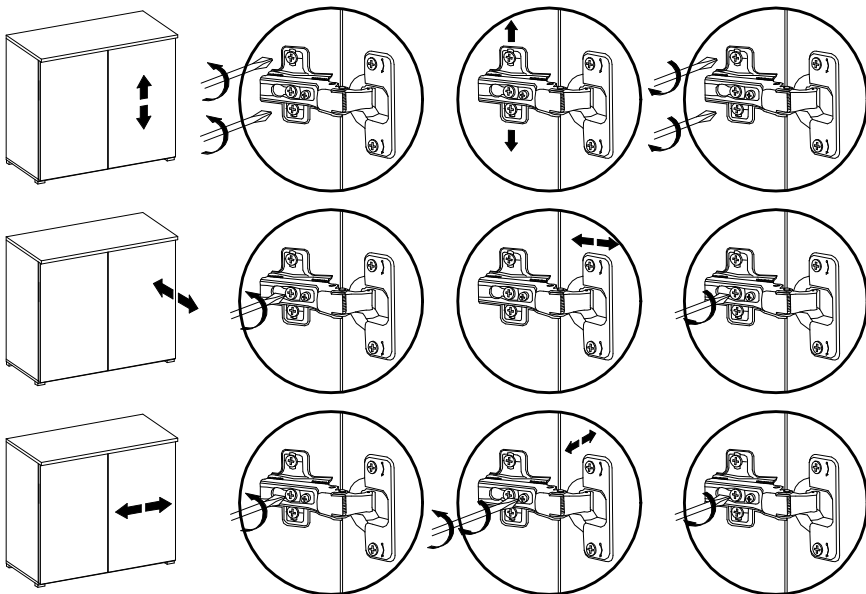
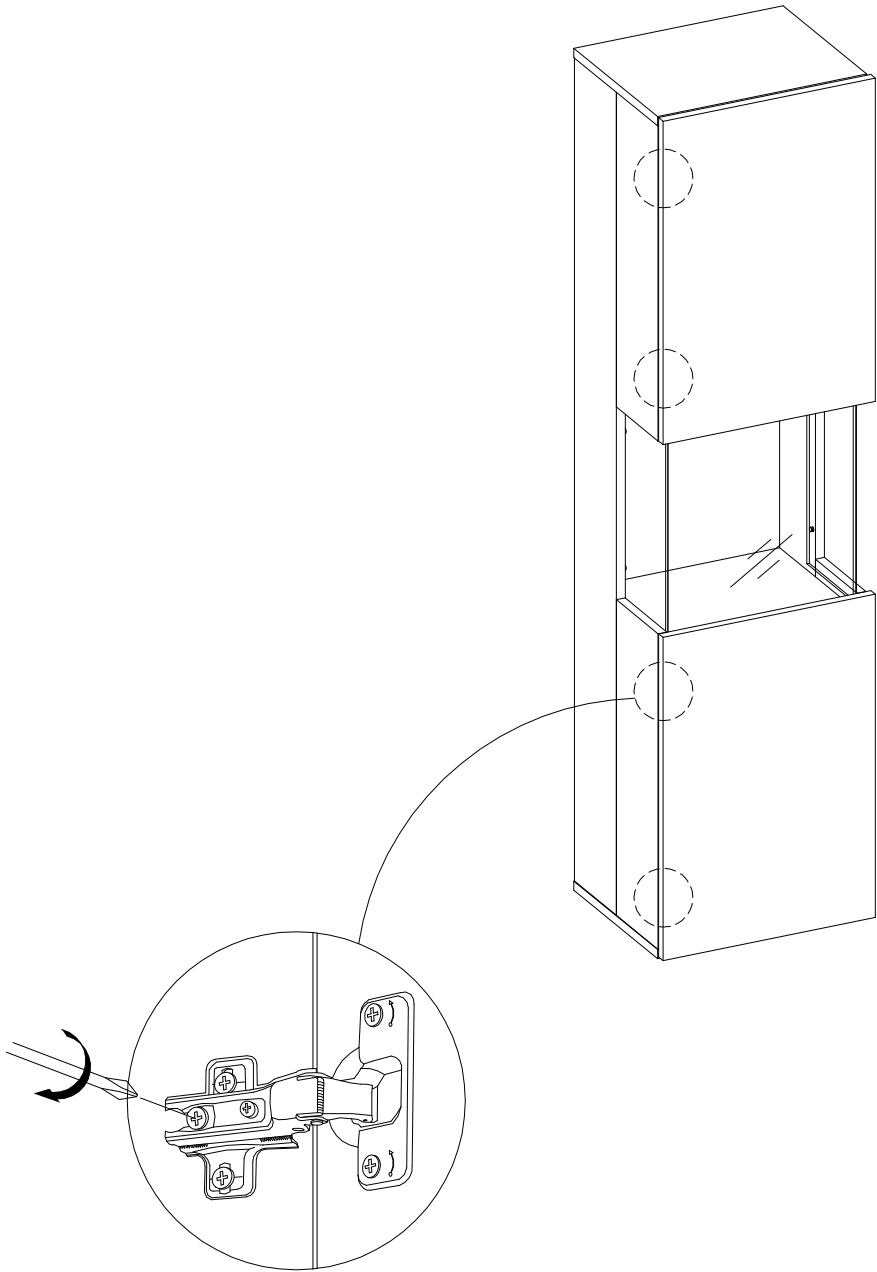


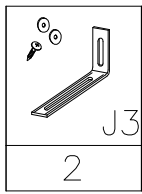
	
E	C1
8	32



KR-0	4.0x13		3.5x16
			
Y6	W9	T1	G2
4	8	4	4







A

~~B~~

