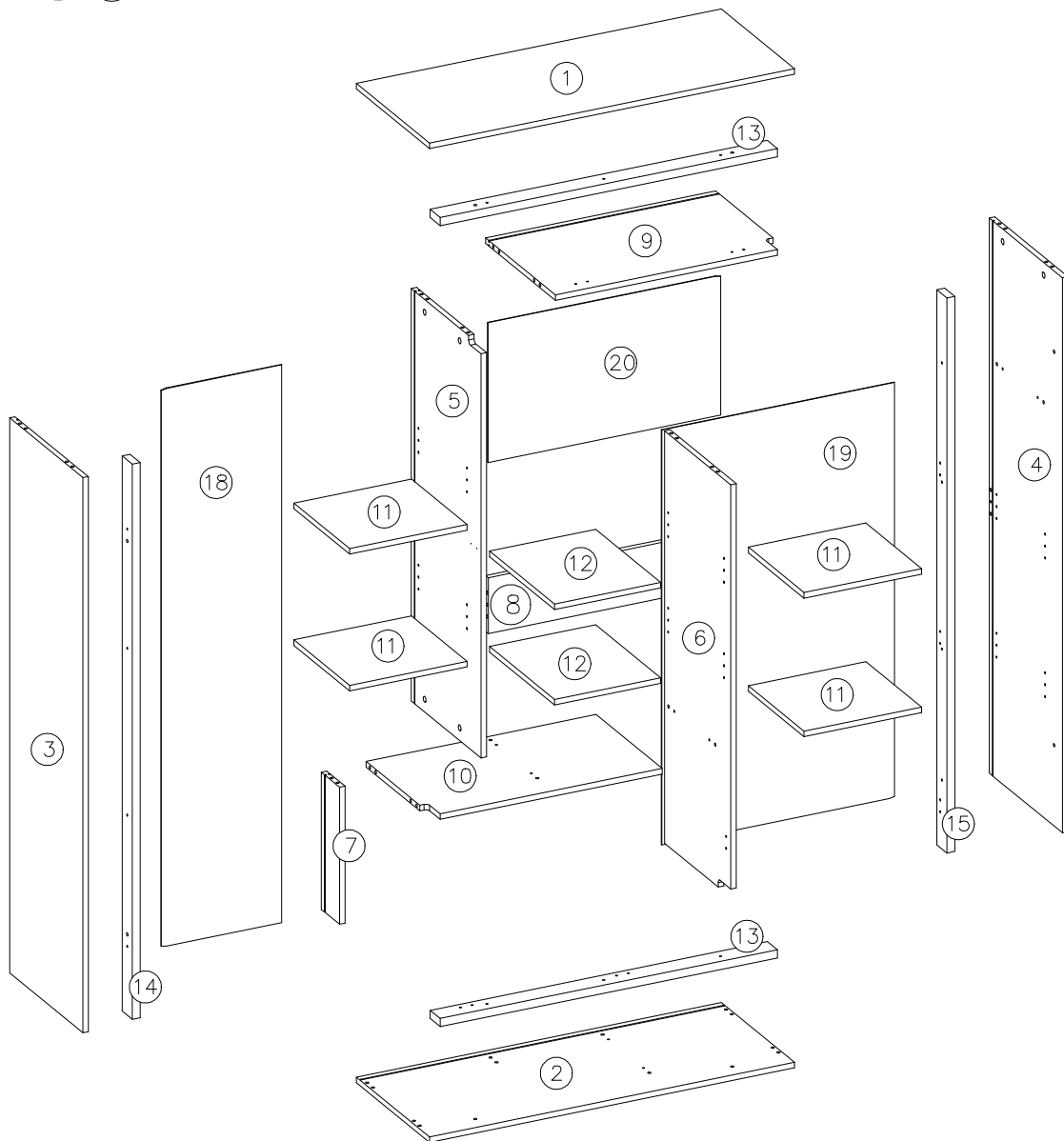
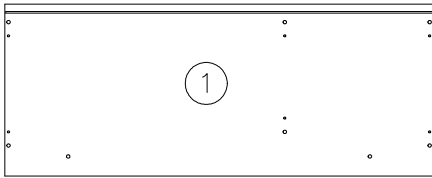
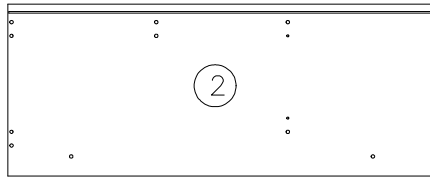



 9 10 11 12
 MAX
 5kg

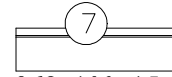




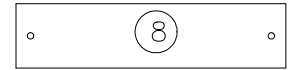
1000x401x15



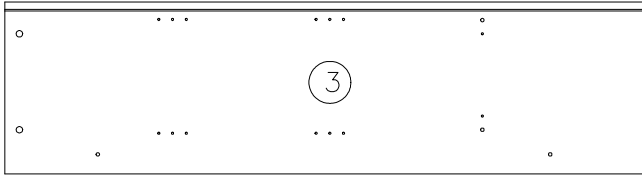
1000x401x15



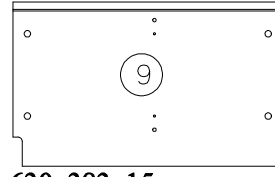
368x100x15



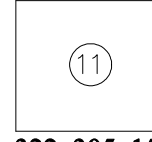
630x150x15



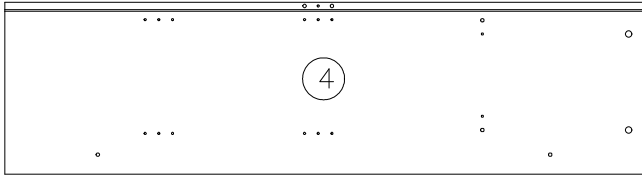
1490x401x15



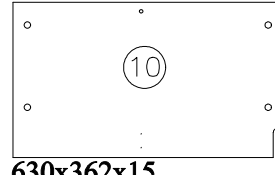
630x383x15



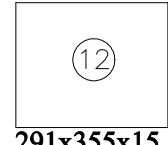
322x305x15 x4



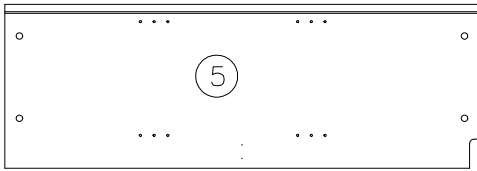
1490x401x15



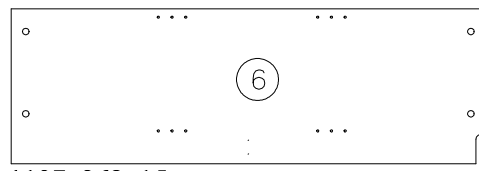
630x362x15



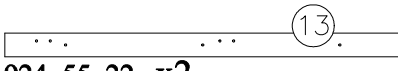
291x355x15 x2



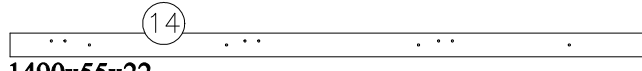
1107x383x15



1107x362x15



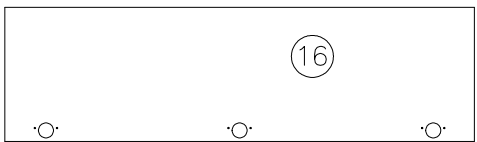
924x55x22 x2



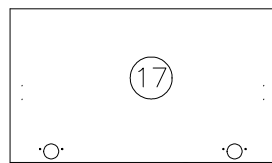
1490x55x22



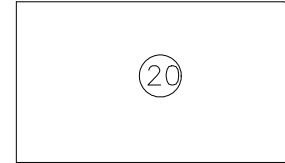
1490x55x22



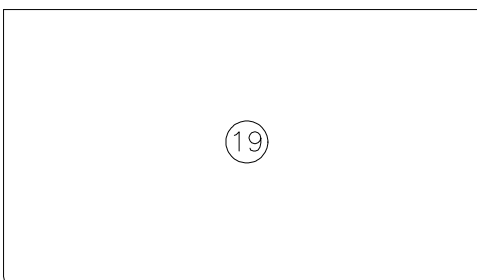
313x1096x15 x2



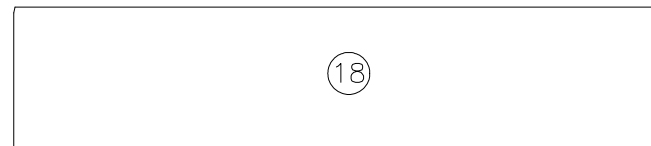
620x358x15 x2




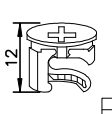
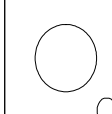
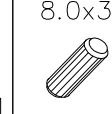
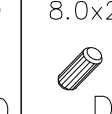
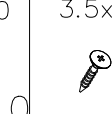
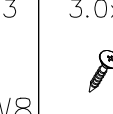
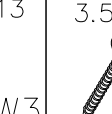
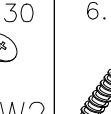
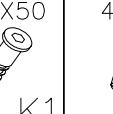
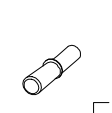
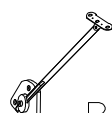
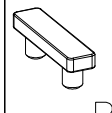
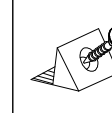
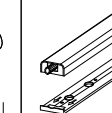

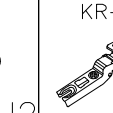
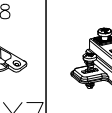
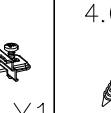
637x375x3

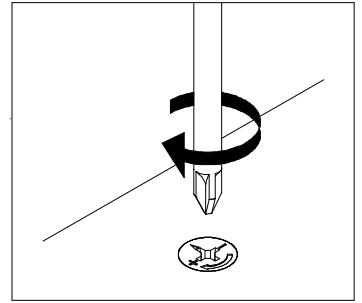
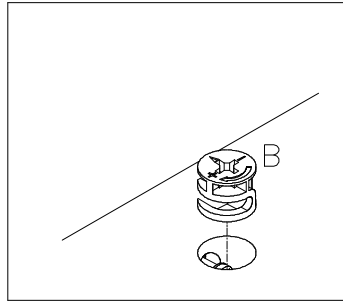
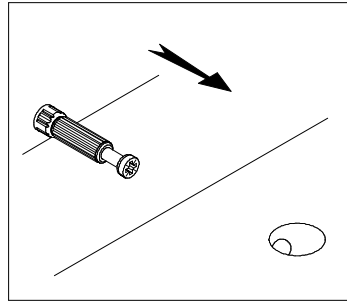
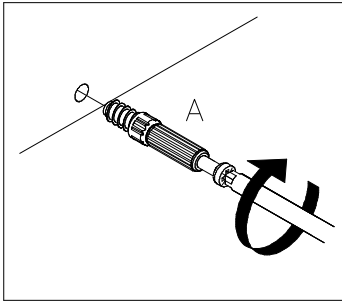


637x1114x3

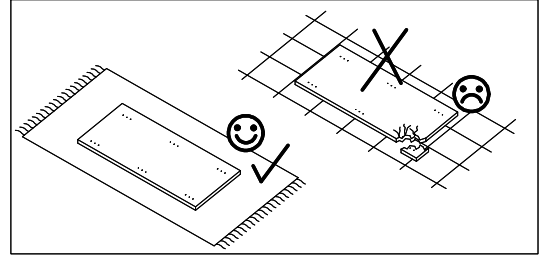


1497x330x3

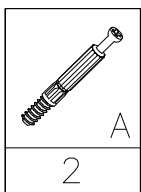
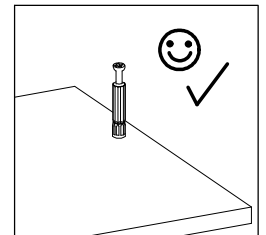
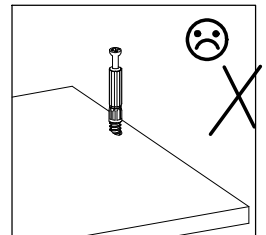
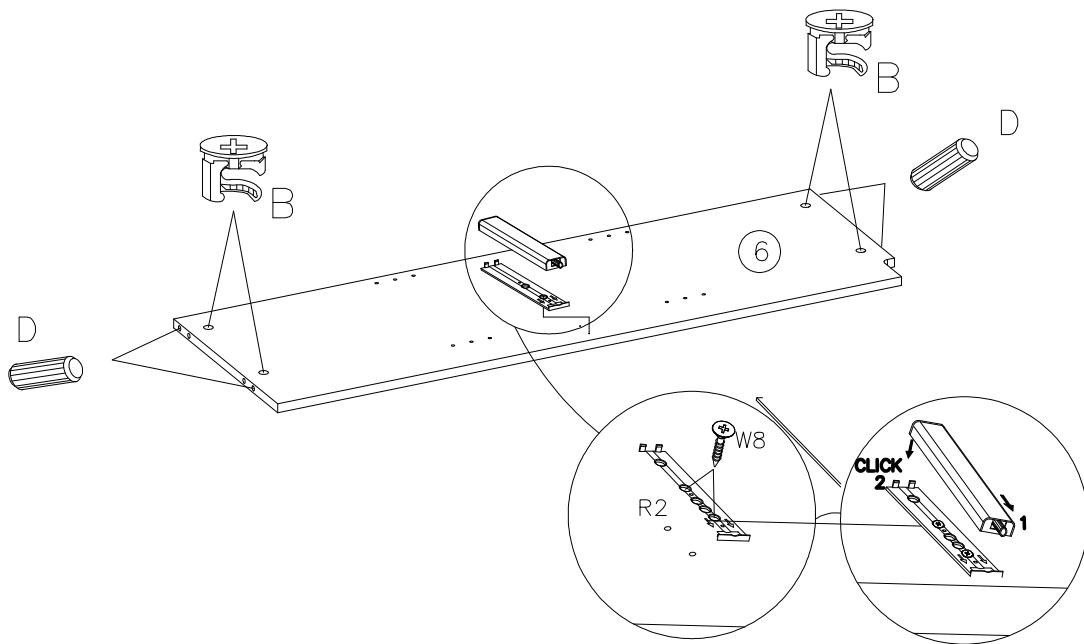
 A	 B	 C1	 D	 D10	 W8	 W3	 W2	 K1	 I2
22	22	28	31	8	8	12	14	4	1
 E	 R1	 P1	 J	 R2	 J2	 Y7	 X1	 W9	
24	2	7	18	4	1	10	10	20	



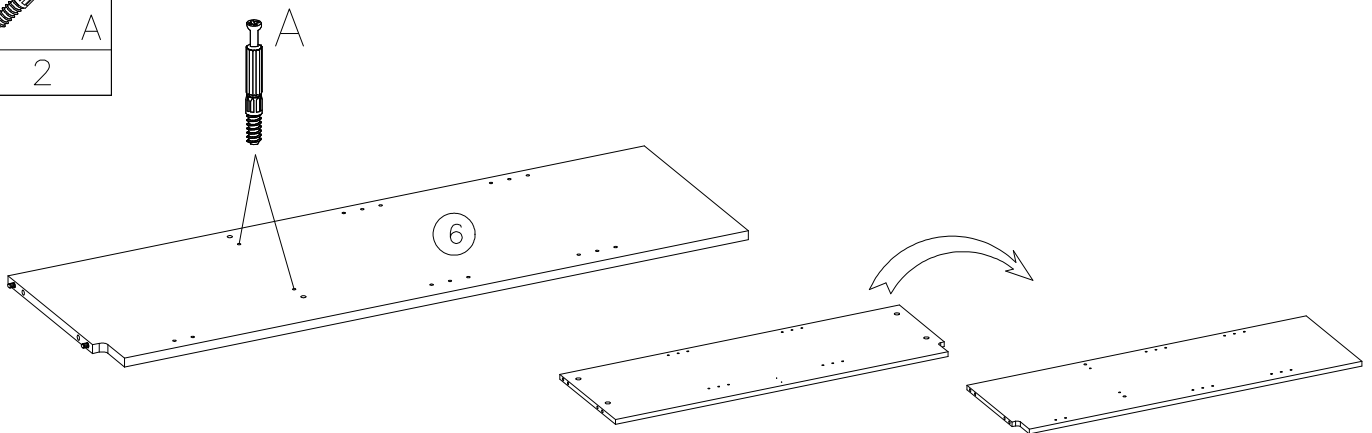
 B 4	 D 4	 W8 2	 R2 1
------------	------------	-------------	-------------

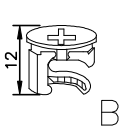
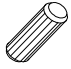

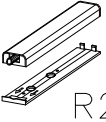



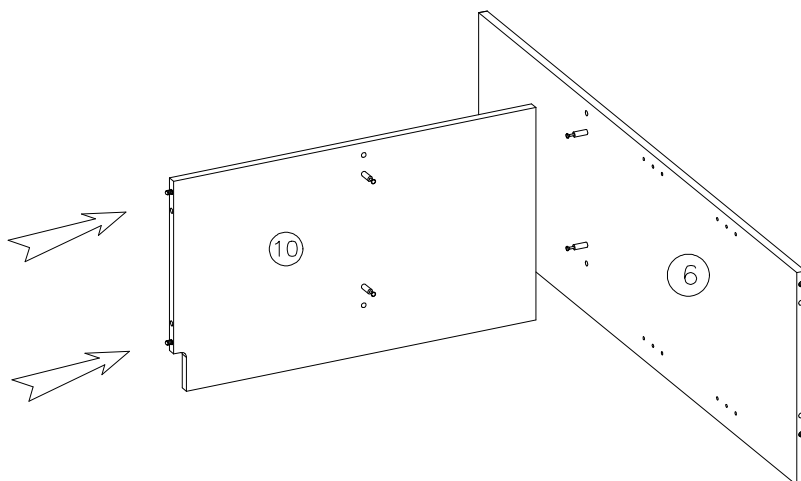
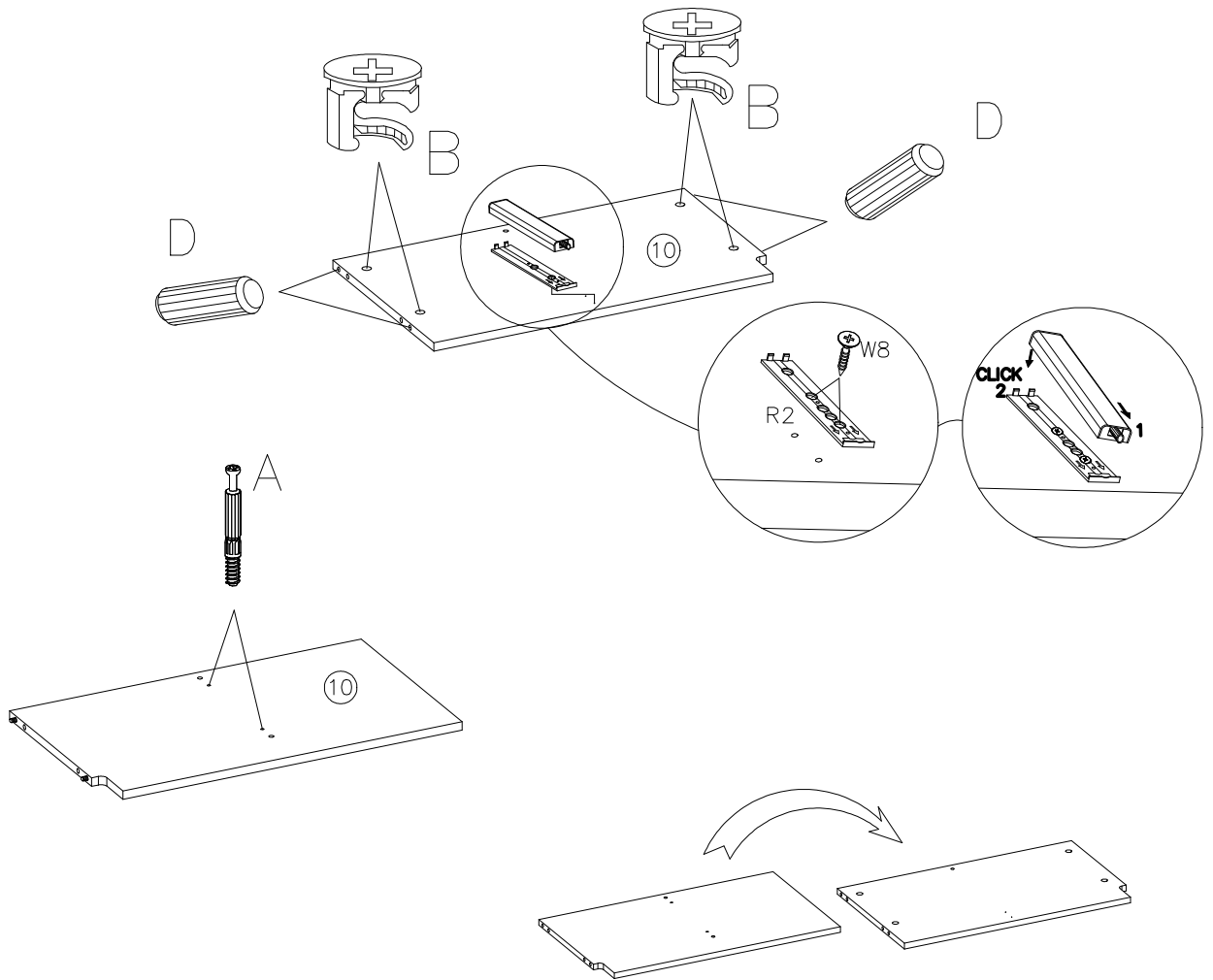
1

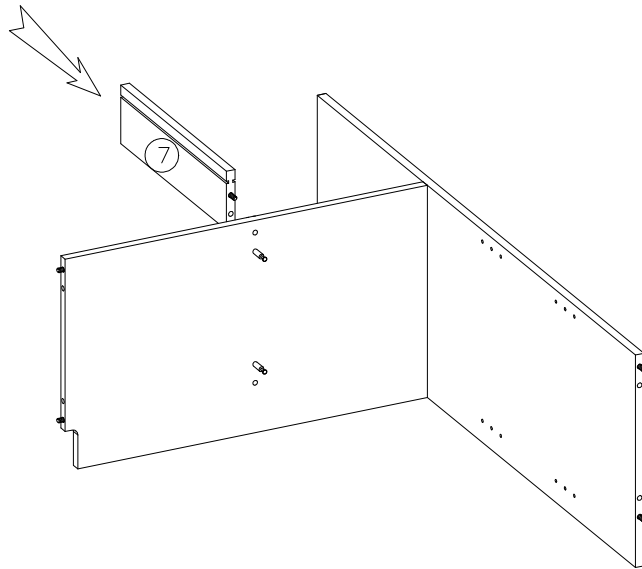
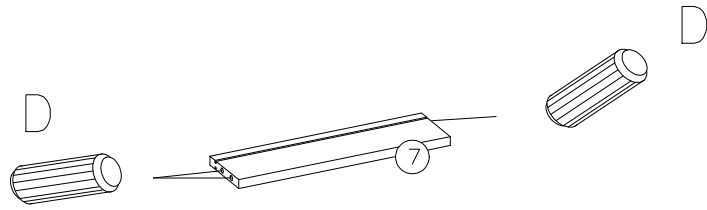
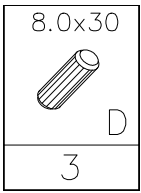


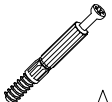
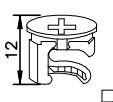

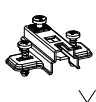
2

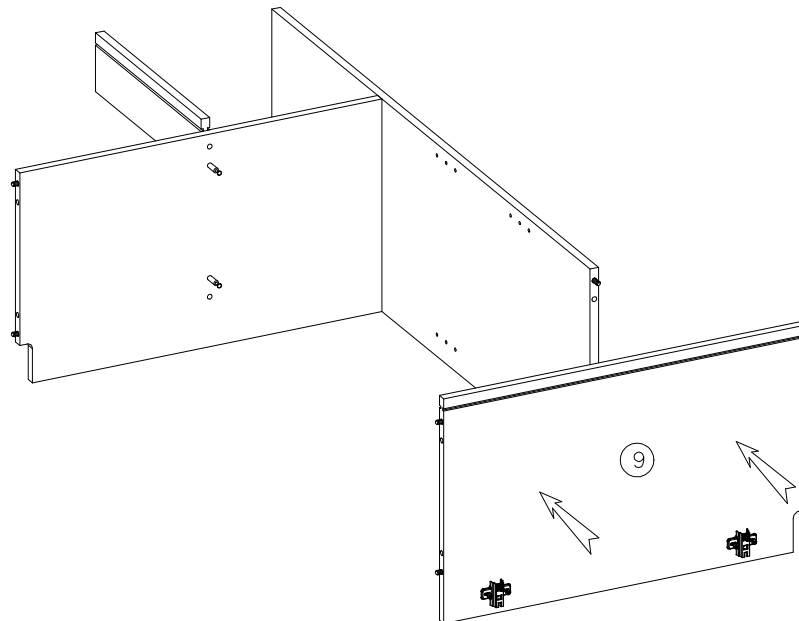
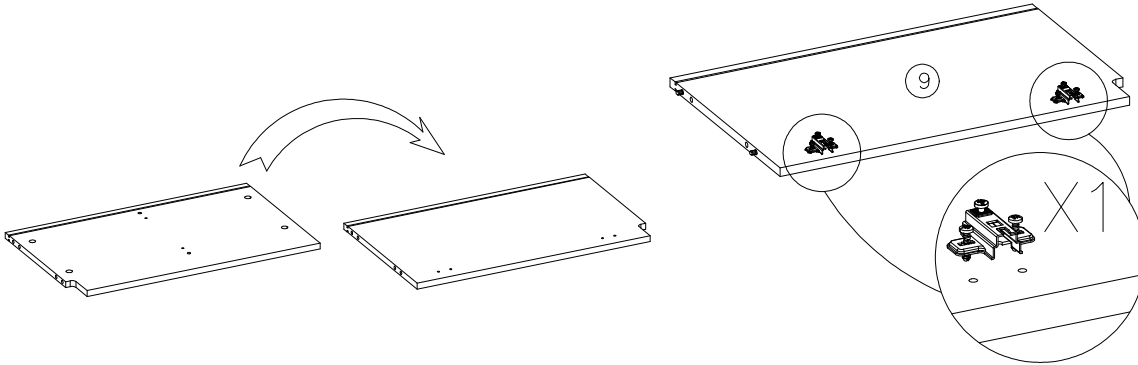
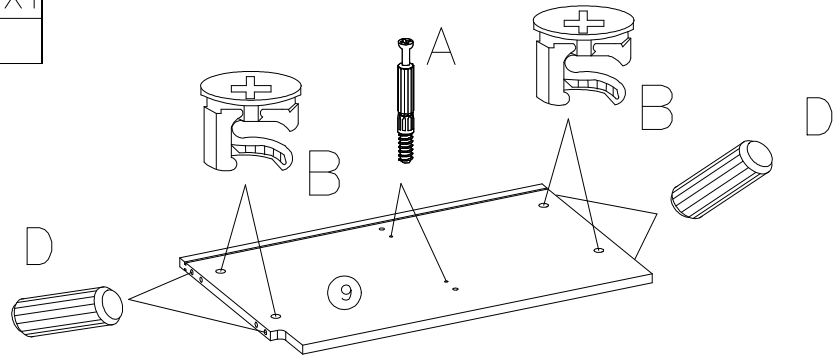


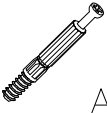
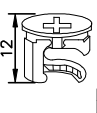
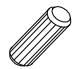

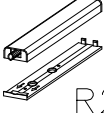
 B	 8.0x30 D	 3.5x13 W8	 R2	 A
4	4	2	1	2

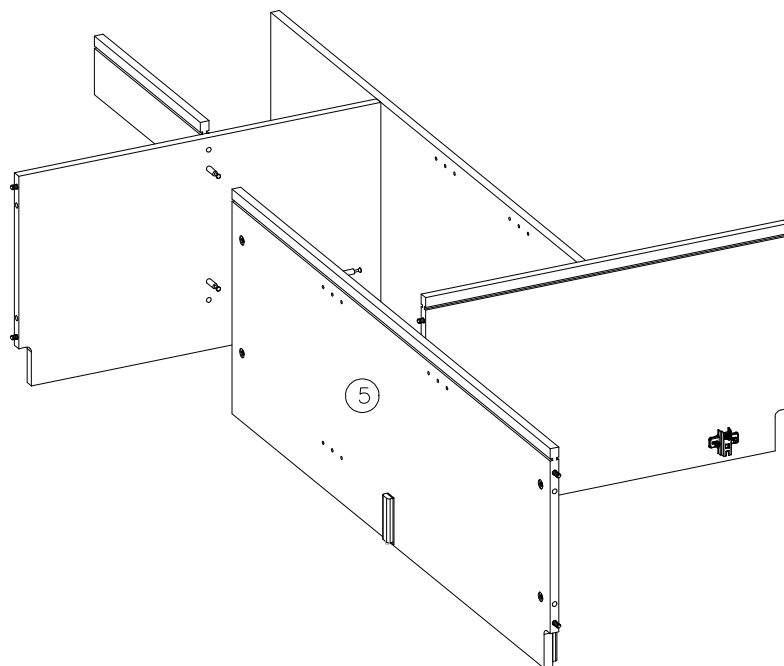
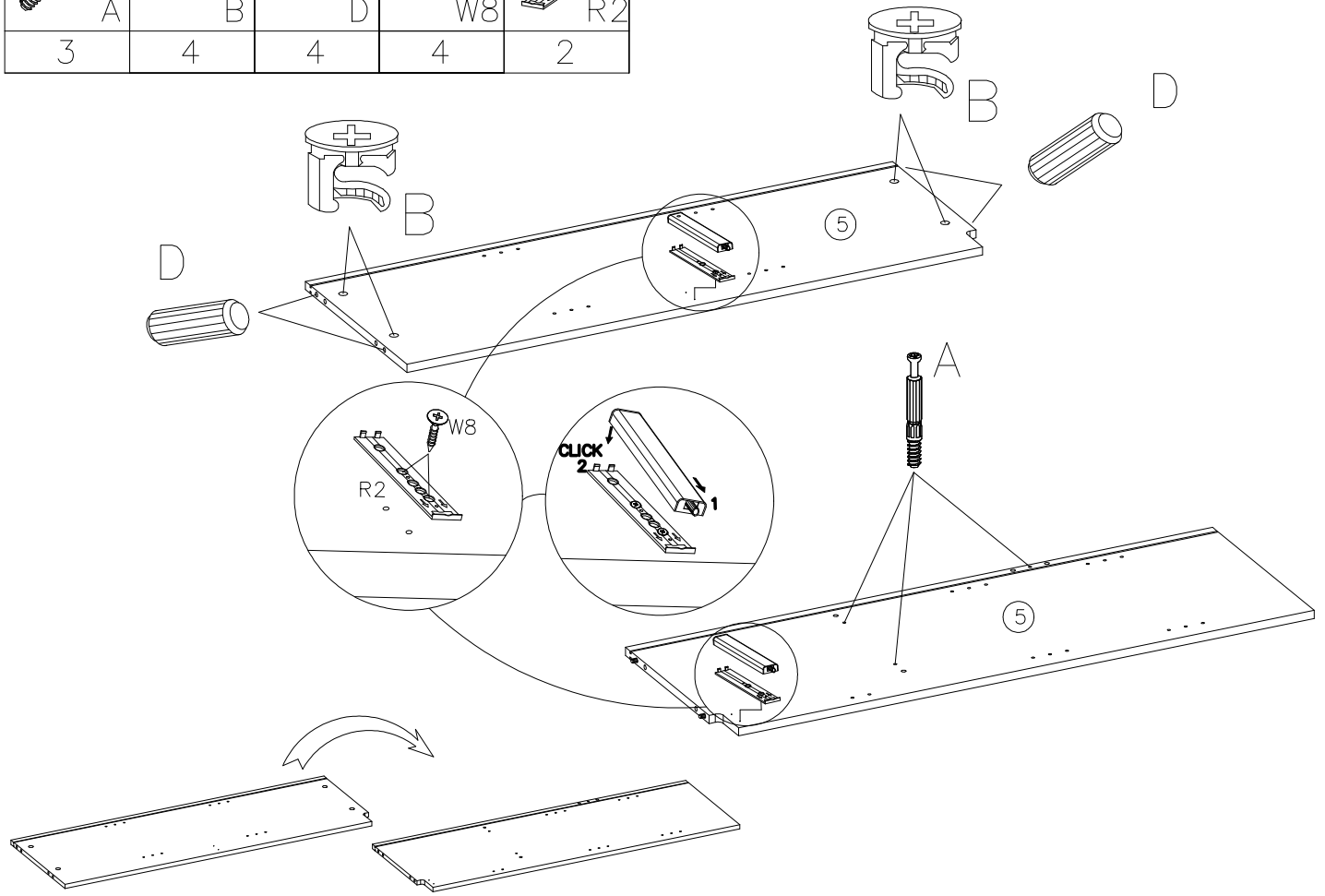


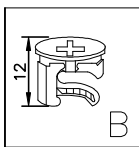
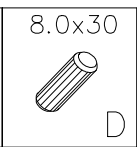


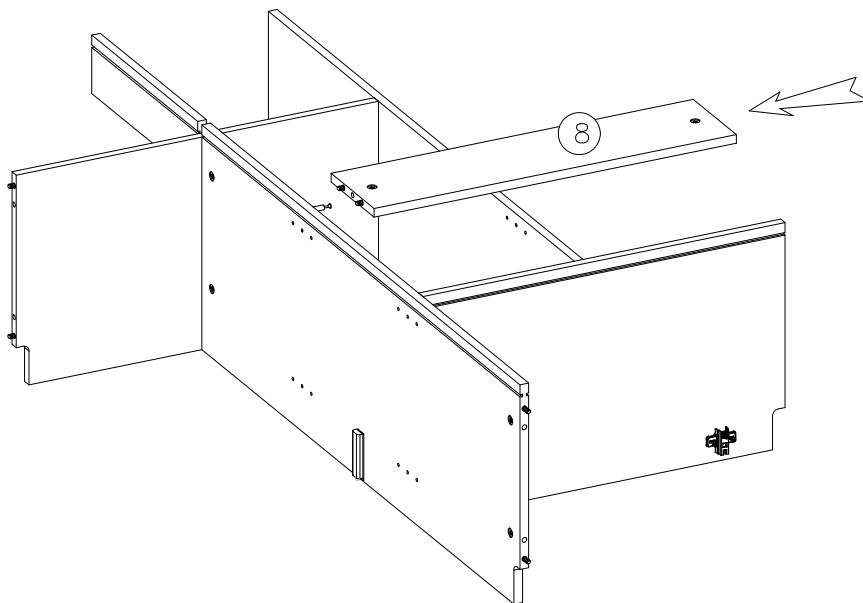
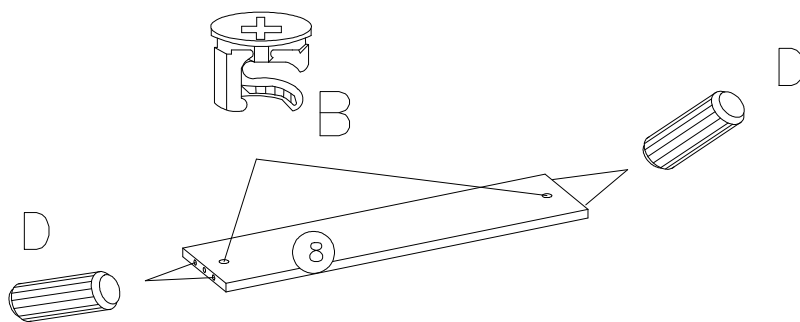
 A	 B	 8.0x30 D	 X1
2	4	4	2


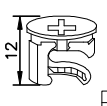
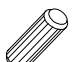


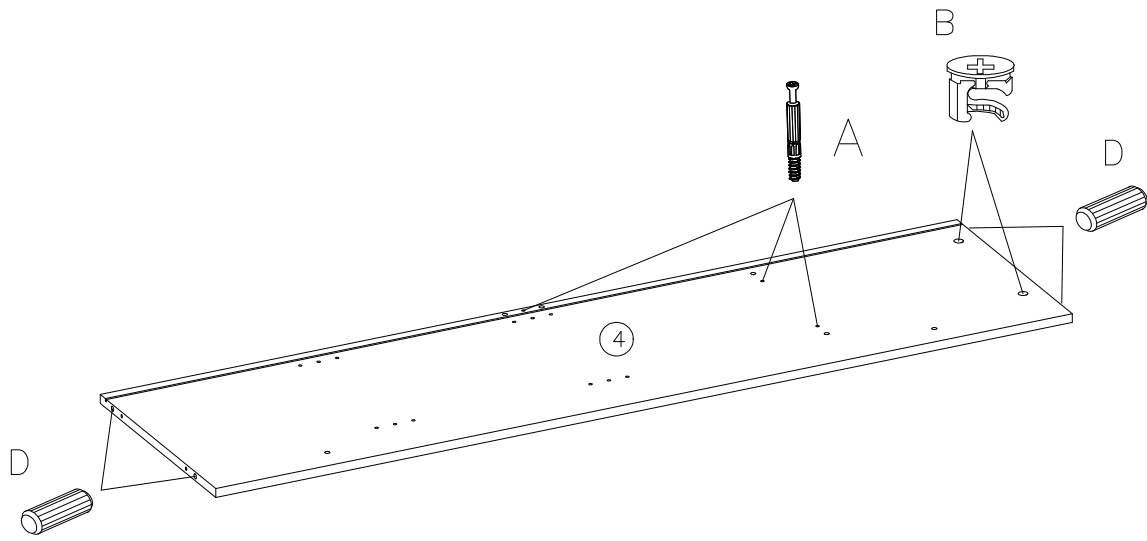
 A	 B	 8.0x30 D	 3.5x13 W8	 R2
3	4	4	4	2





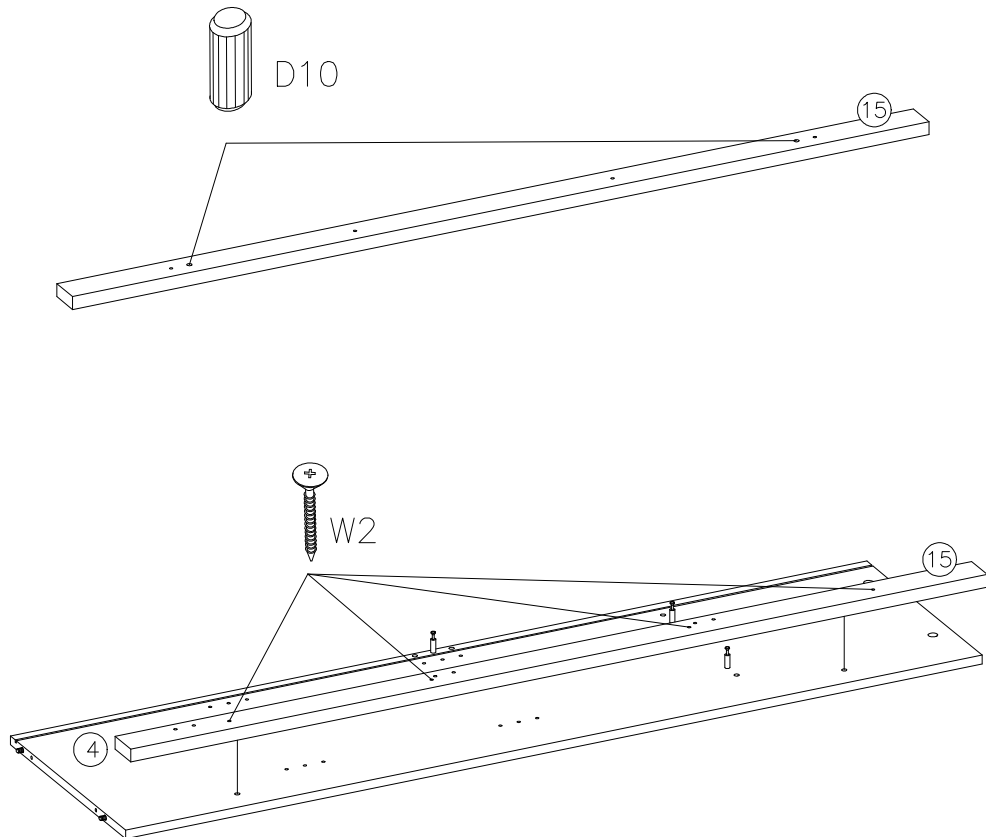
 <p>12 B</p>	<p>8.0x30 D</p> 
<p>2</p>	<p>4</p>

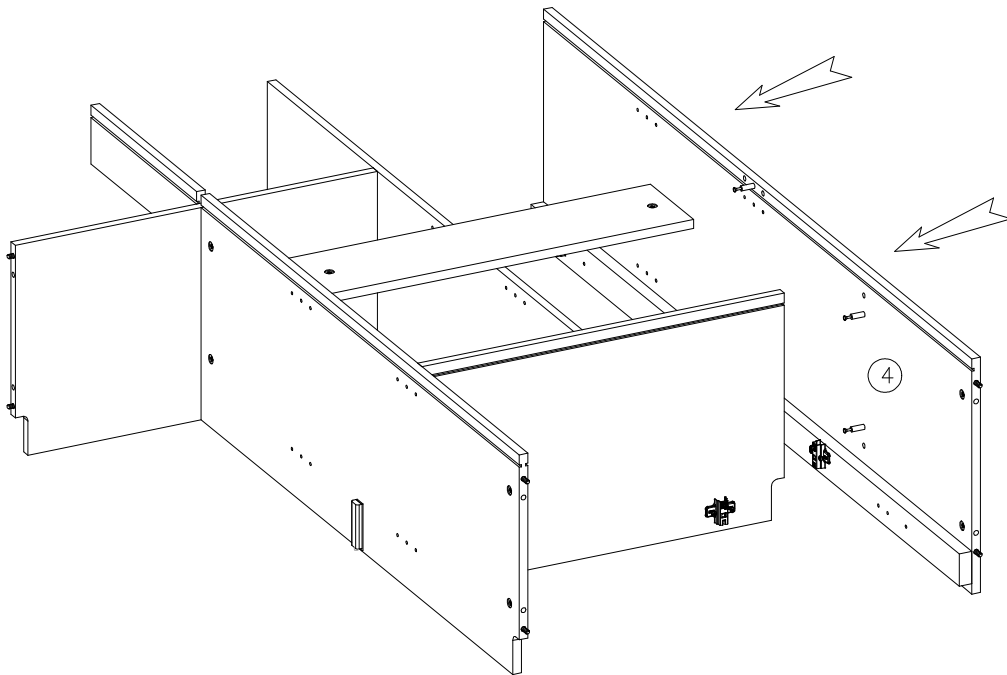
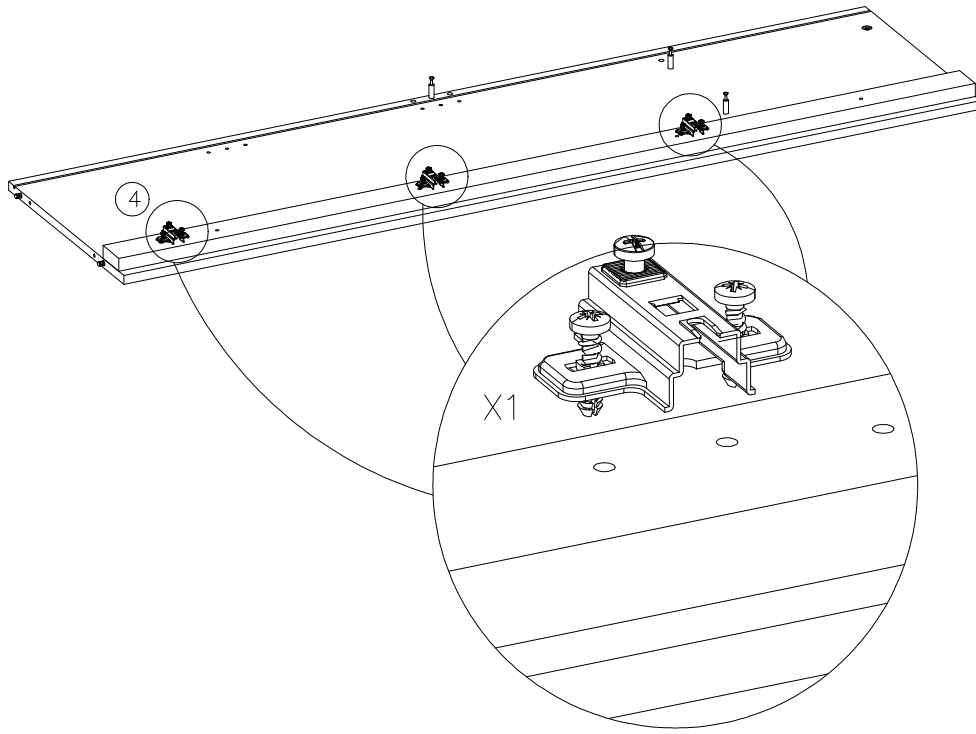
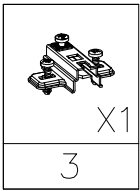


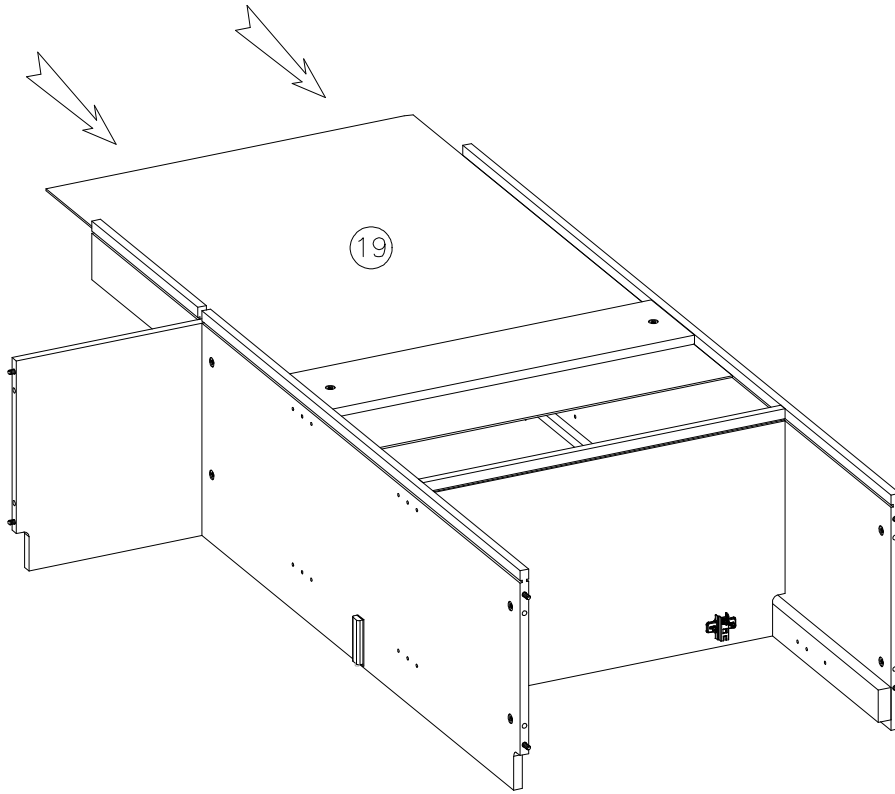
 A	 B	8.0x30  D
3	2	4

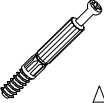
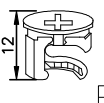
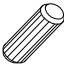


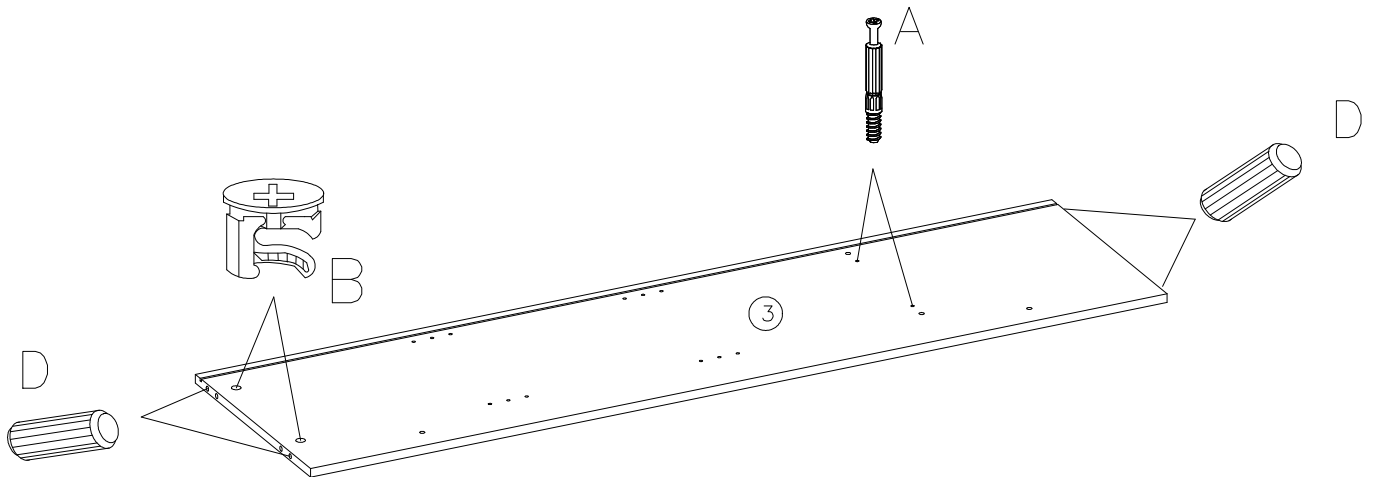
8.0x20  D10	3.5x30  W2
2	4





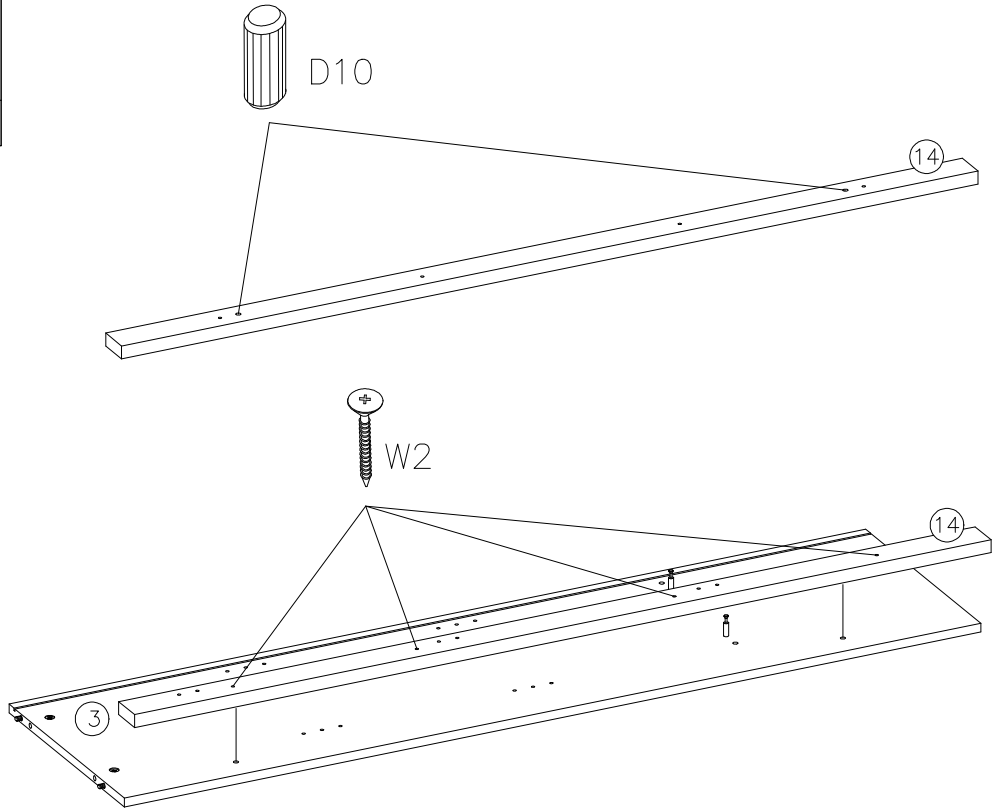


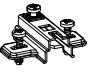


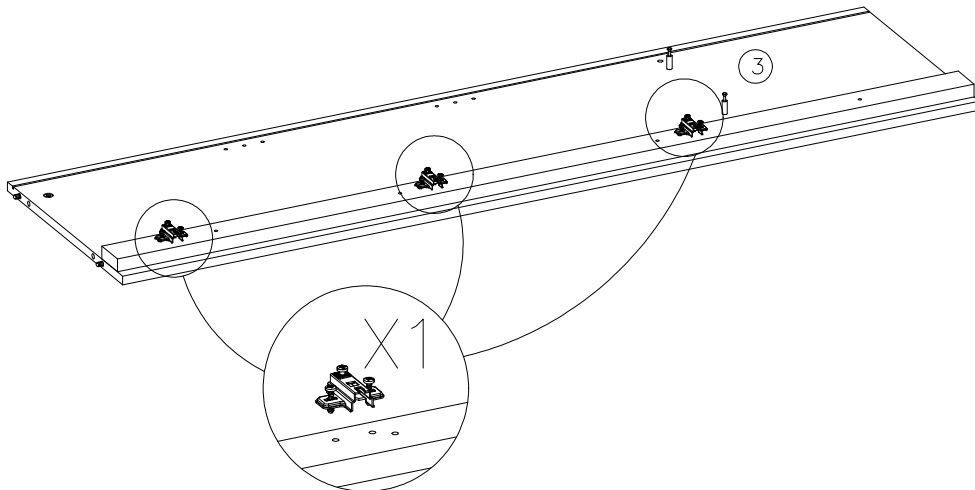
		8.0x30 
A	B	D
2	2	4

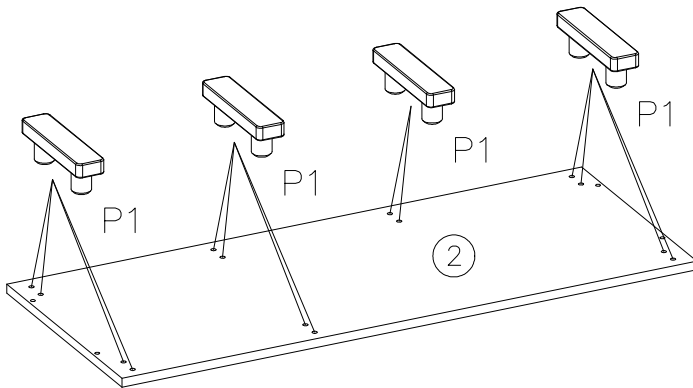
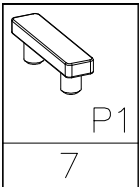
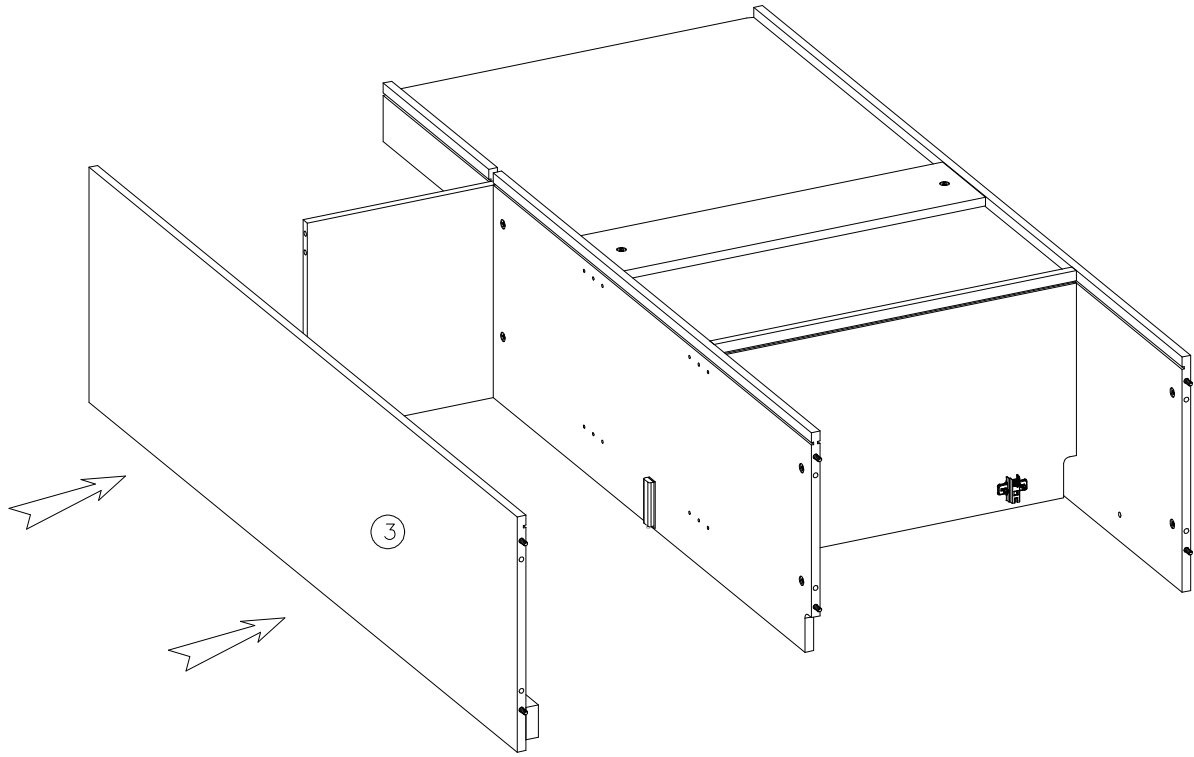


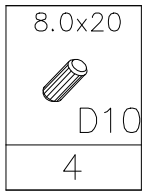
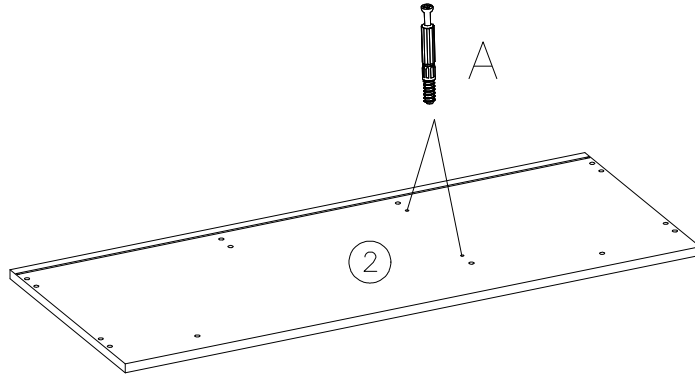
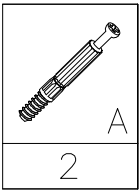
8.0x20  D10 2	3.5x30  W2 4
---	--



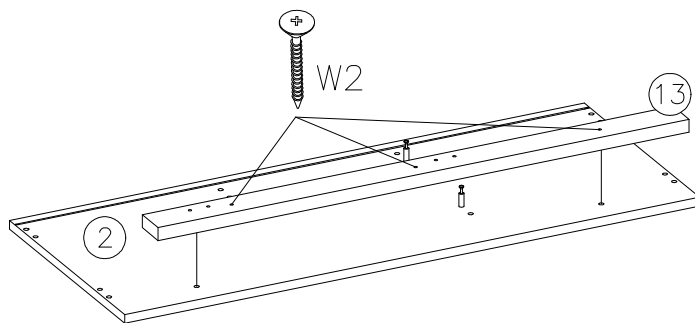
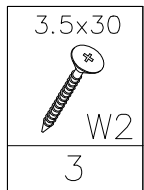
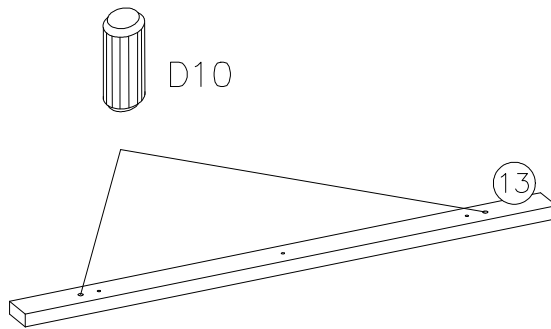
 X1 3
--

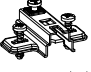


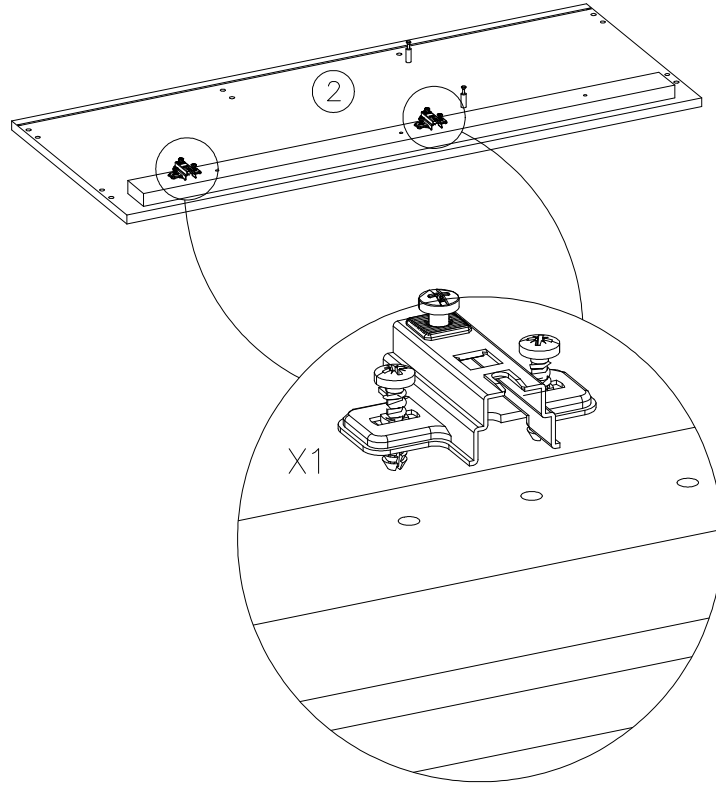






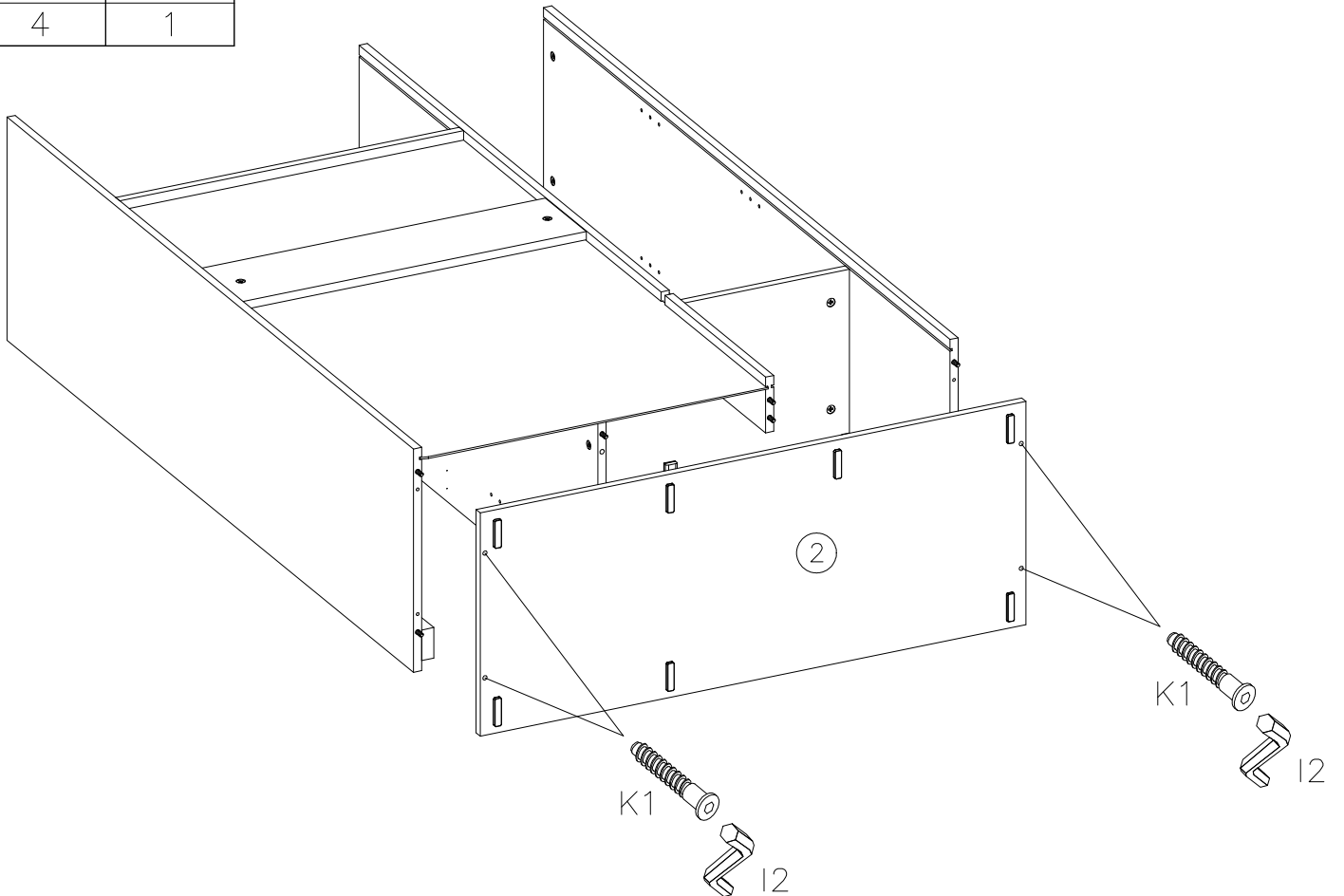
x2

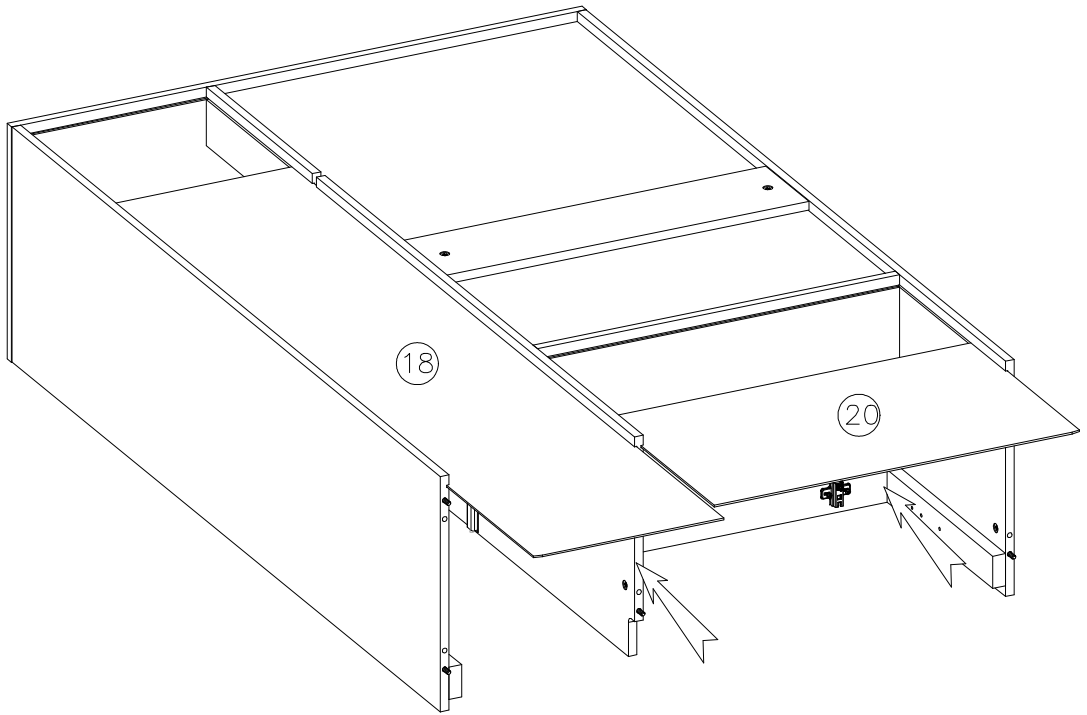


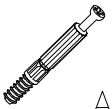
	X1
2	

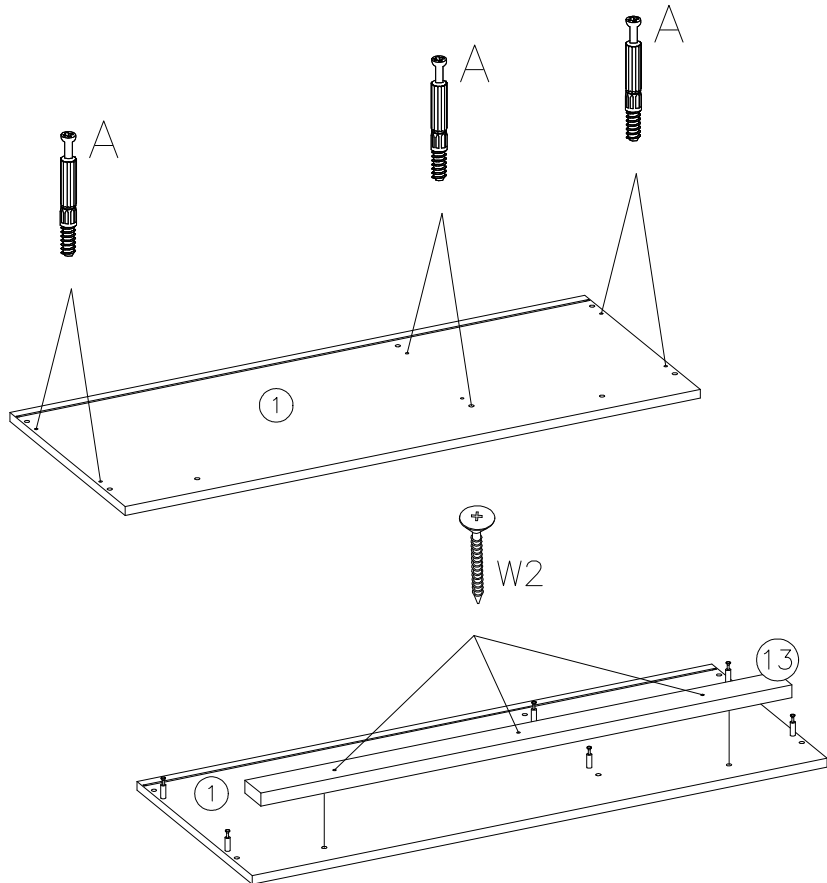


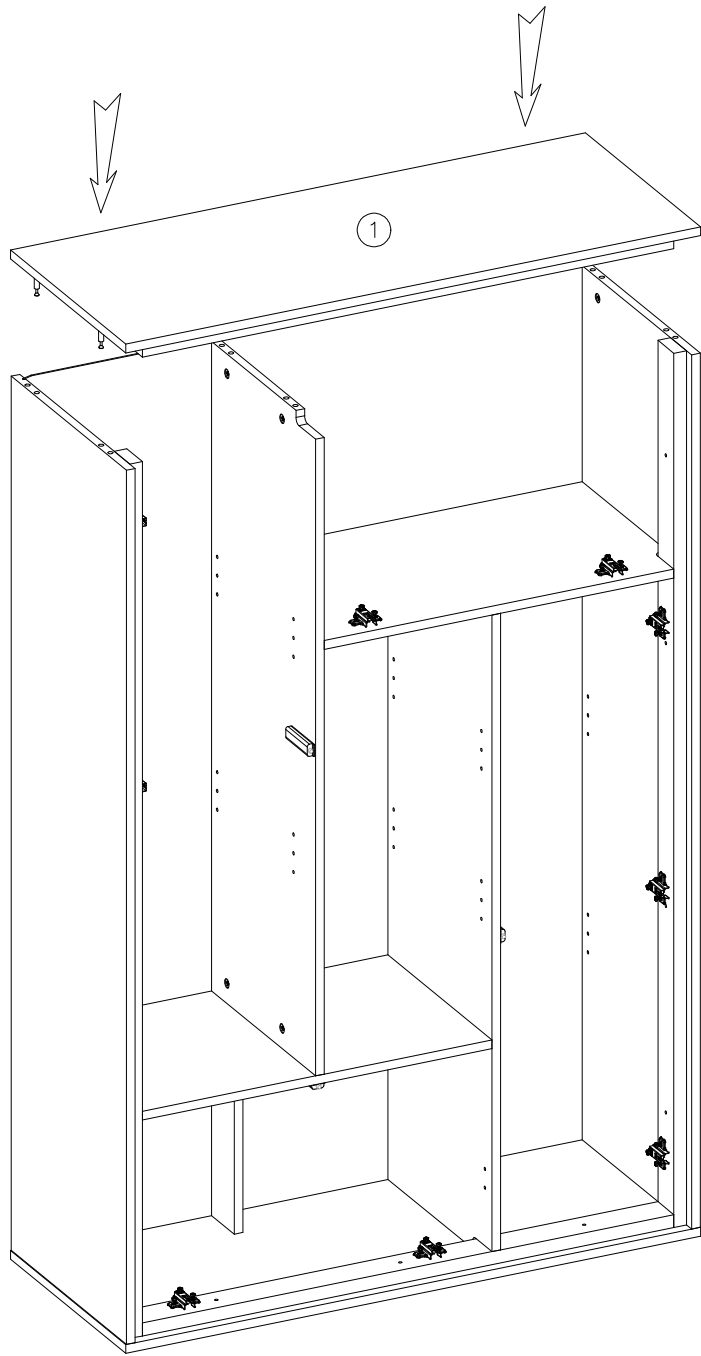
6.4X50	4mm
	
K1	I2
4	1

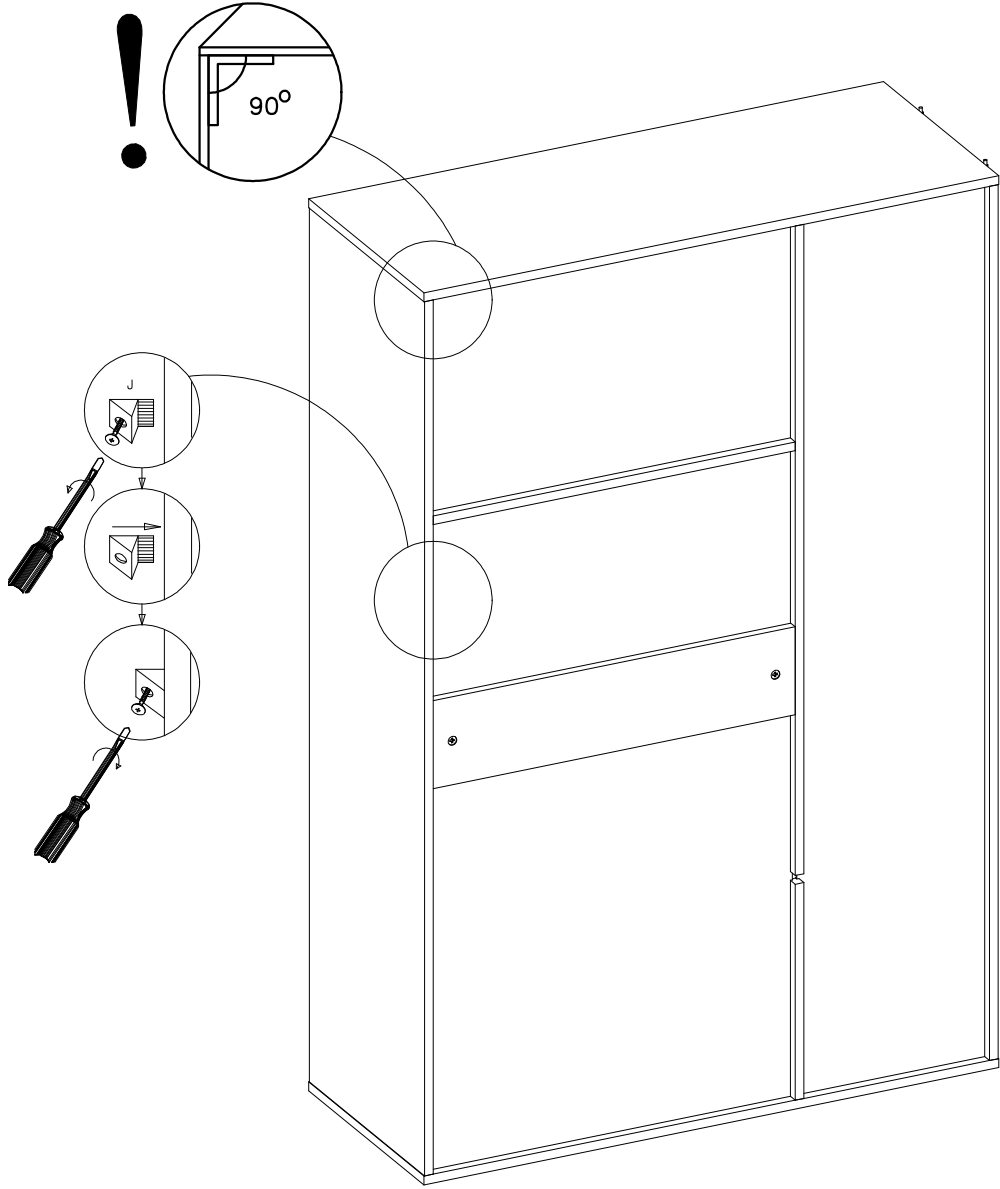
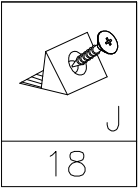



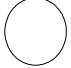


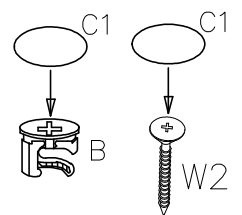
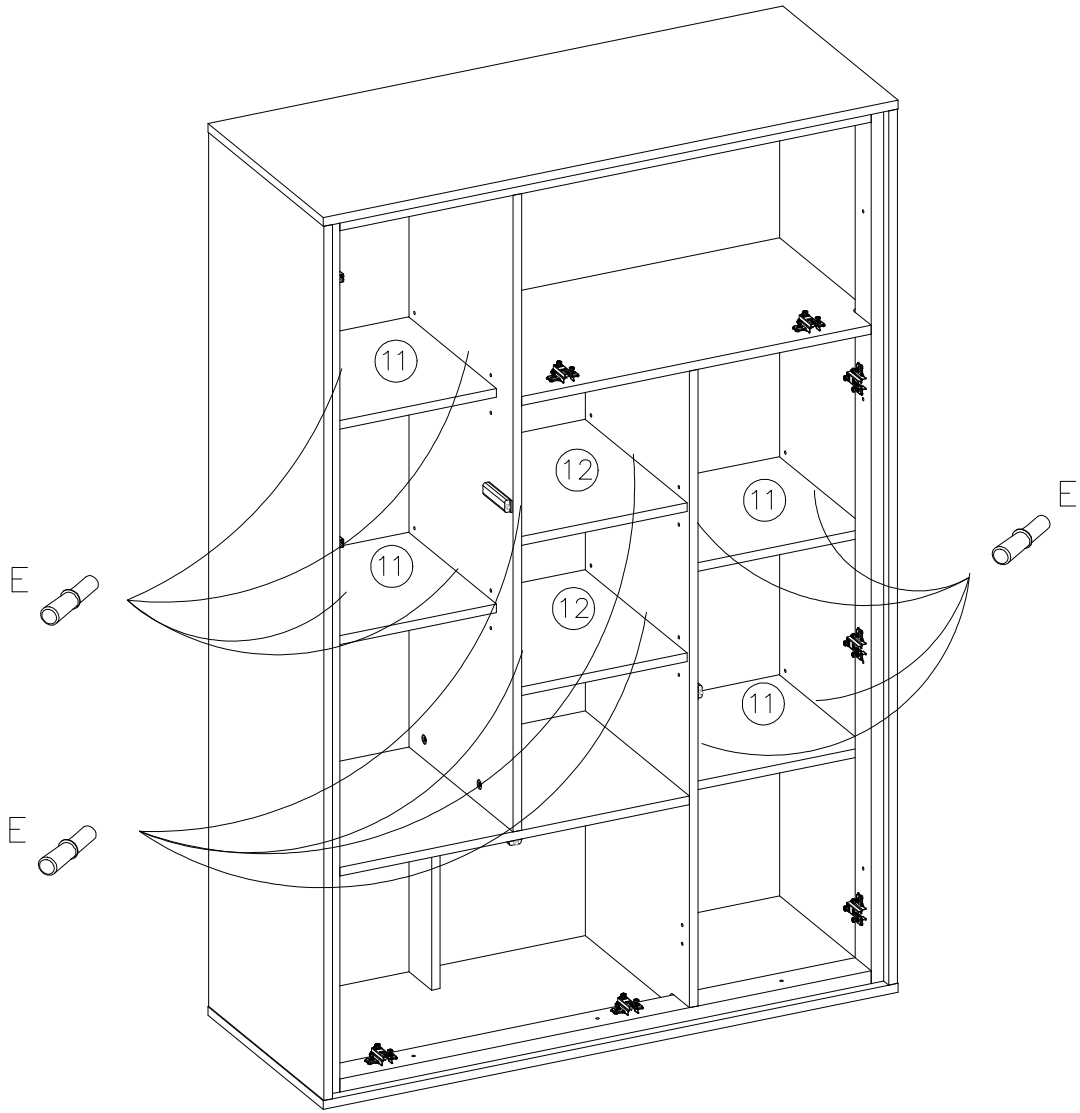
	3.5x30
A	W2
6	3

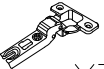





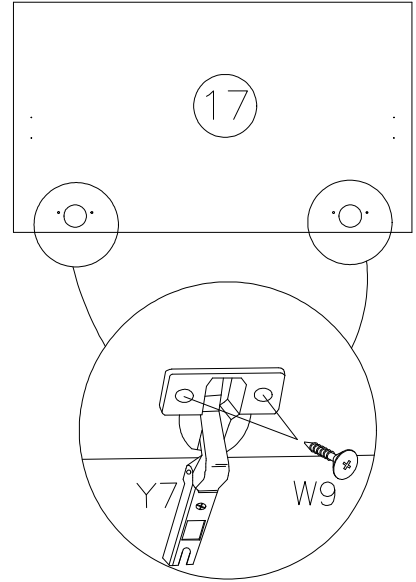
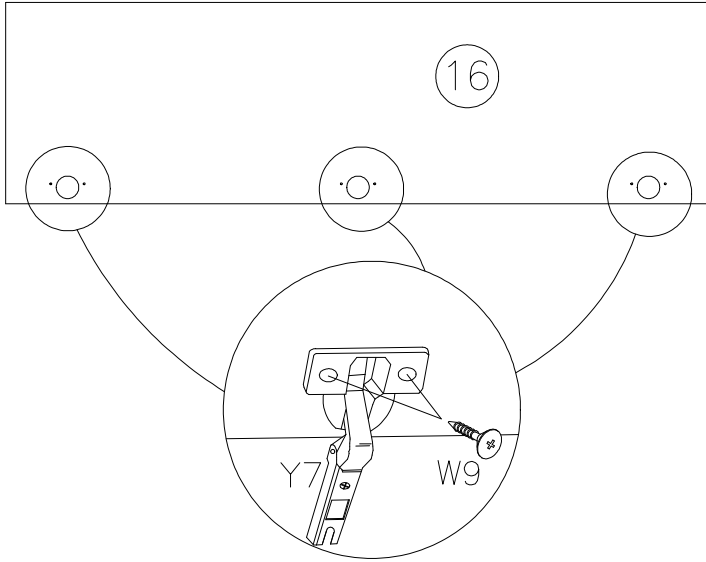


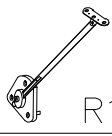

 E	 C1
24	28

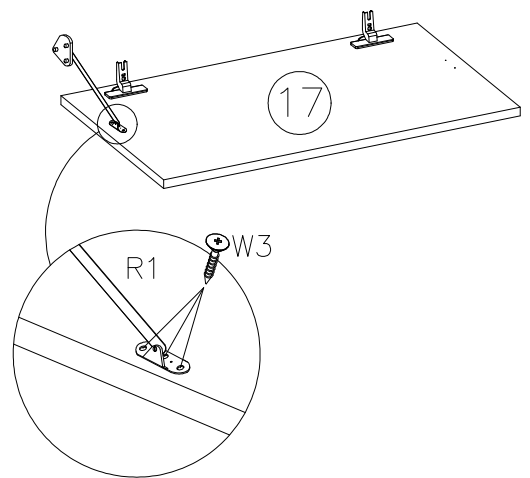
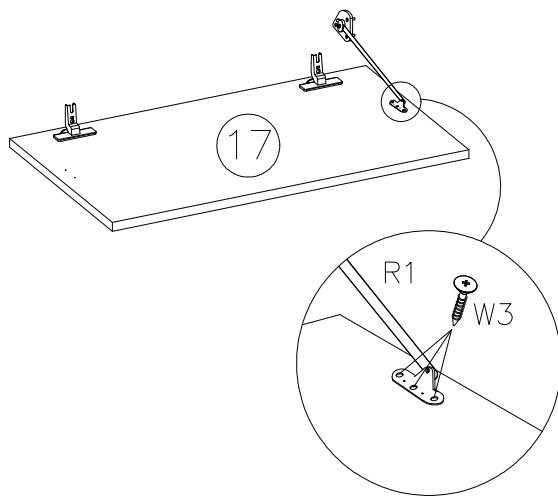


KR-8	4.0x13
 Y7	 W9
10	20

x2



3.0x13	
 W3	R1
6	2

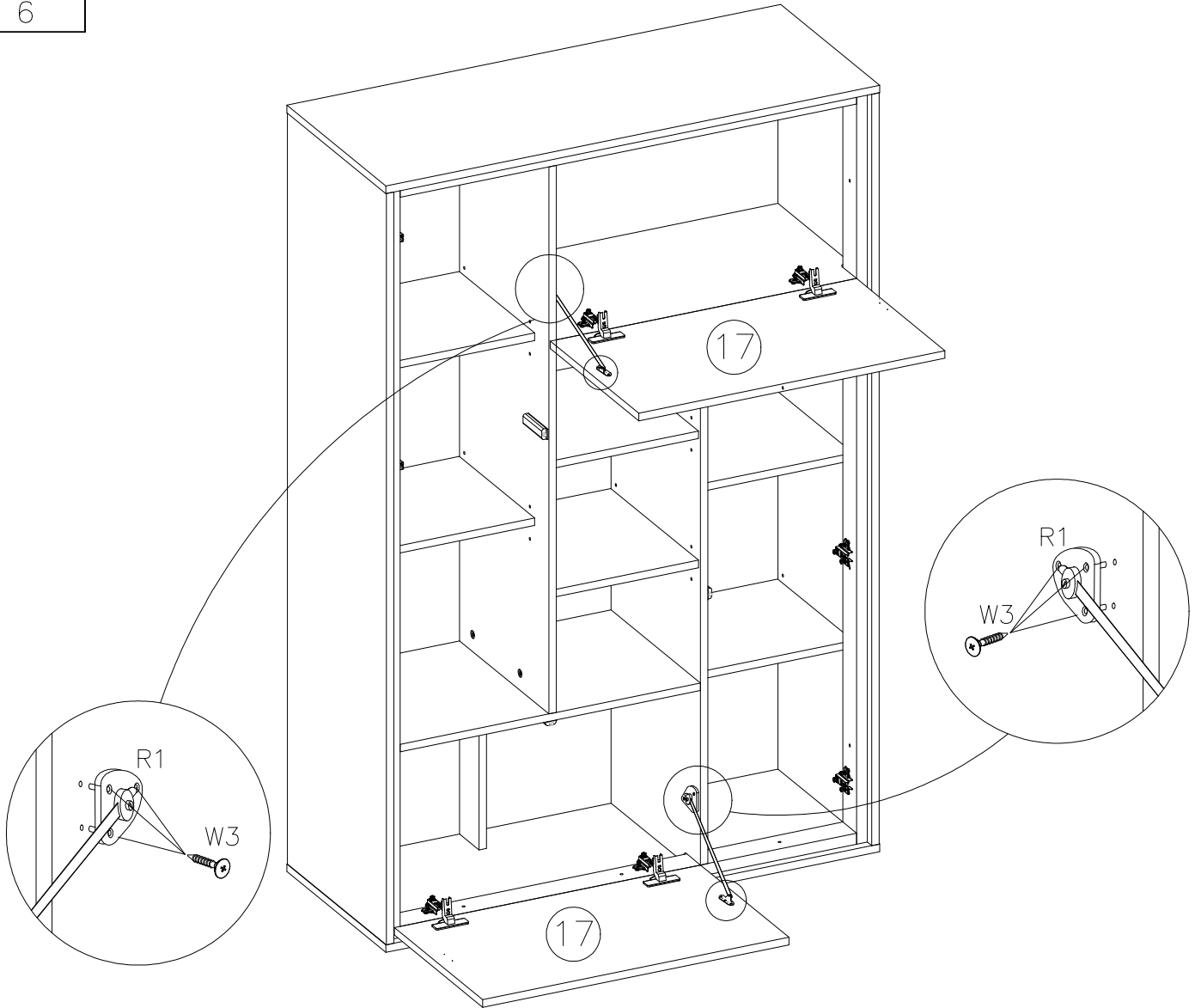


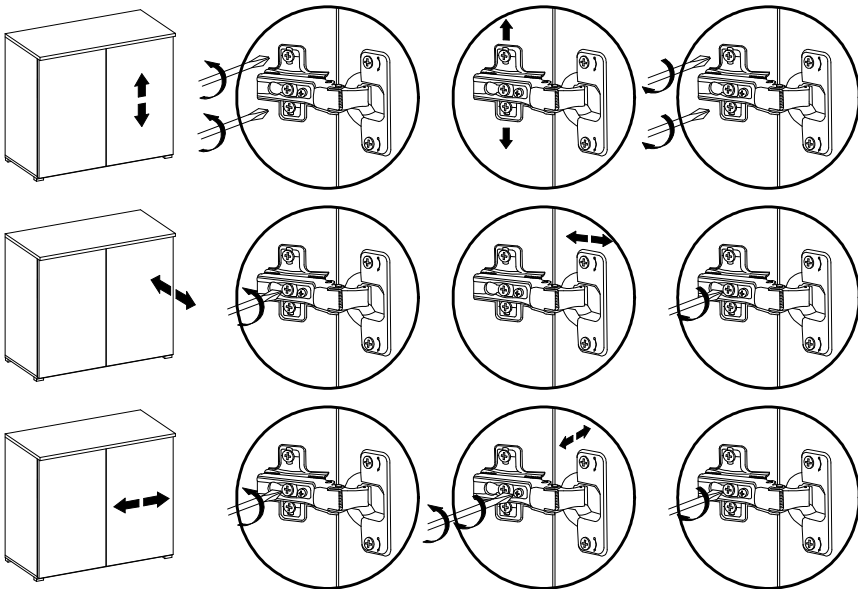
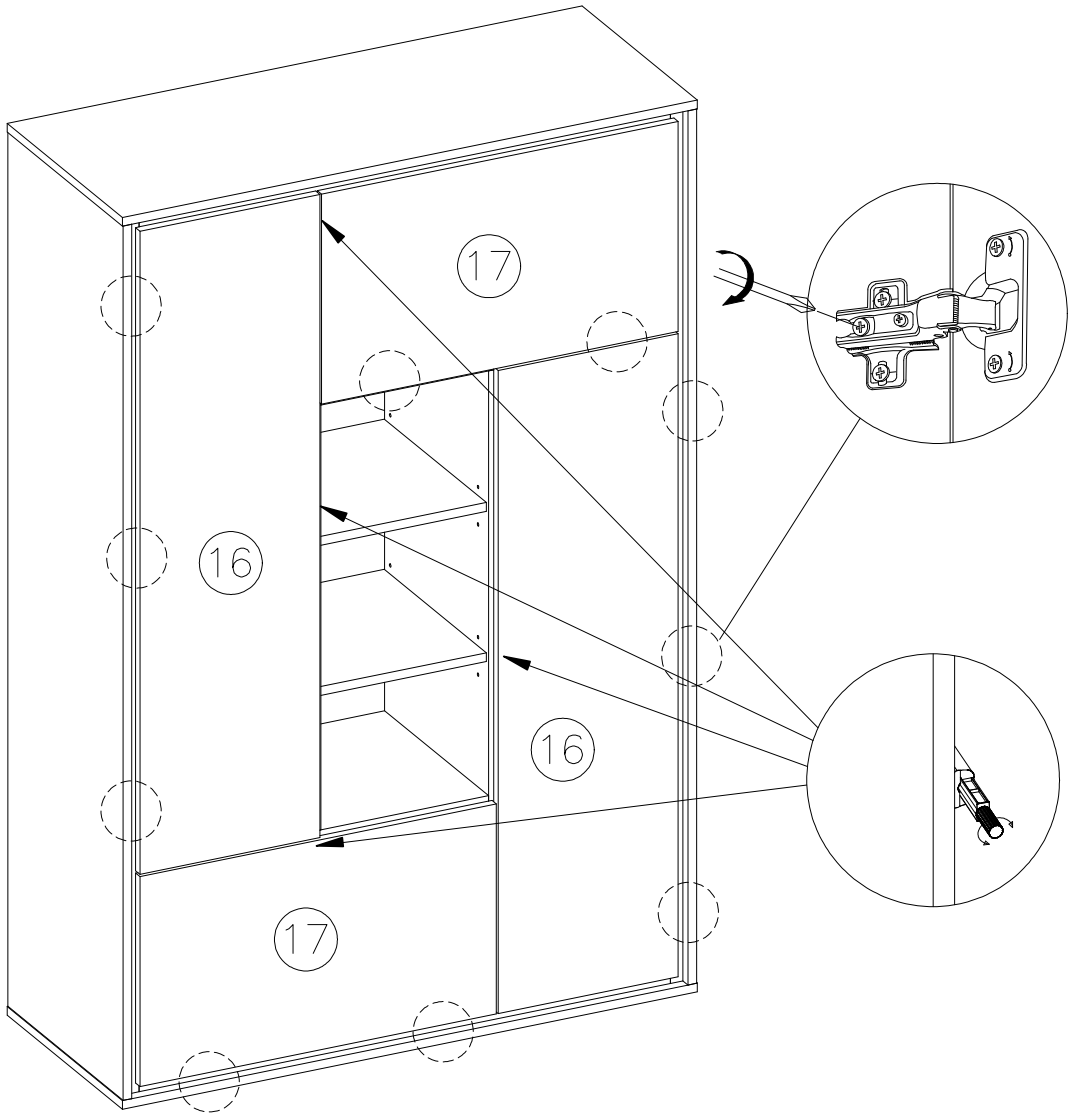
3.0x13



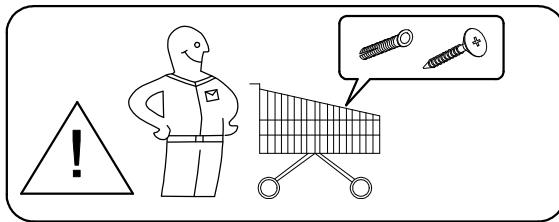
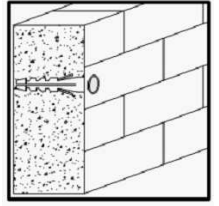
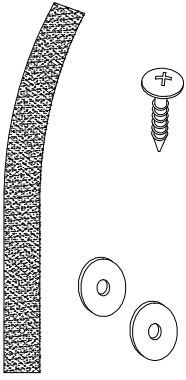
W3

6

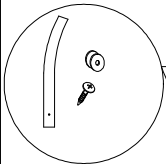
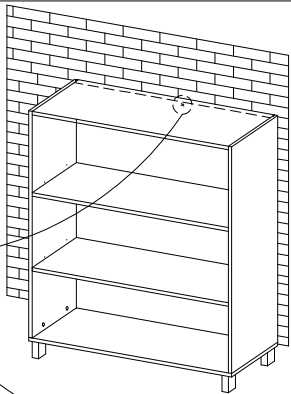




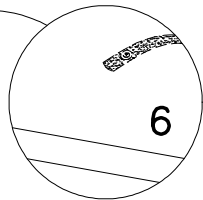
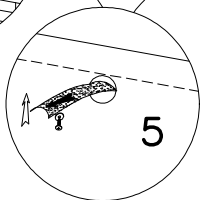
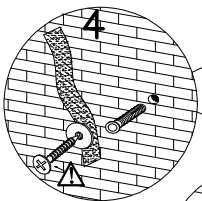
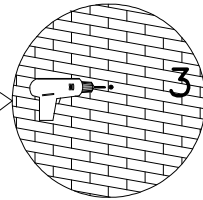
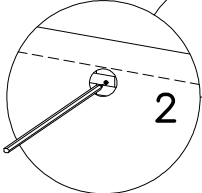
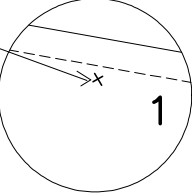
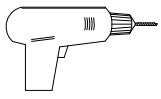
1



2a



ø8.0



2b

