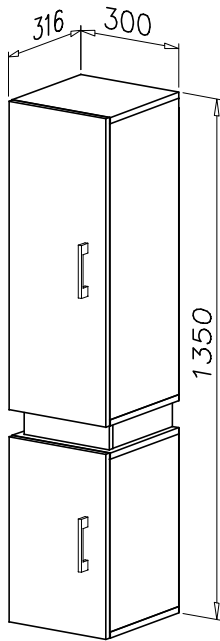
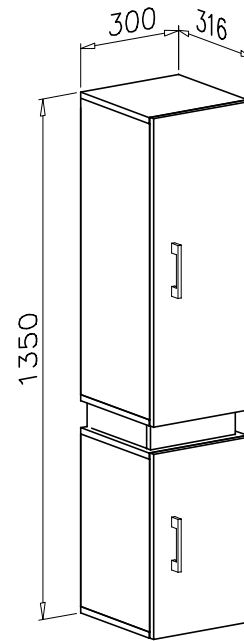


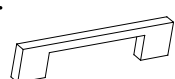
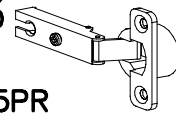




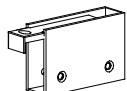
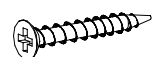

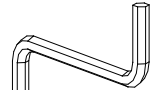
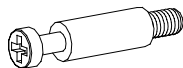




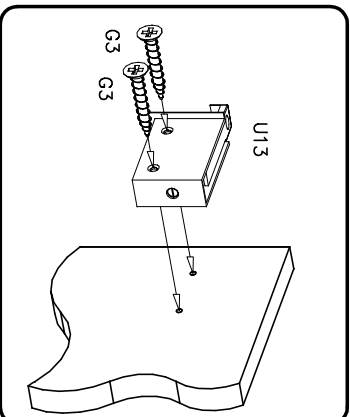
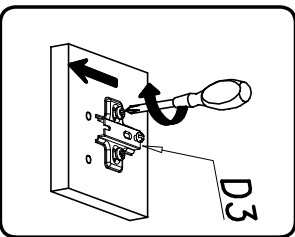
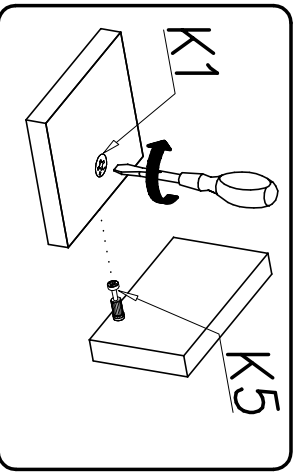
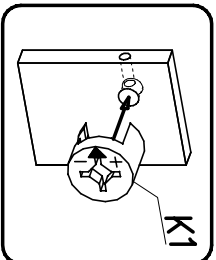
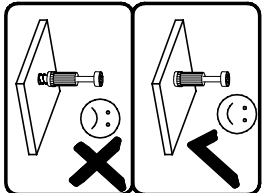
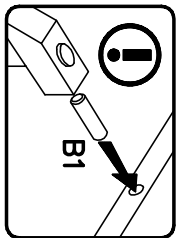
L



P

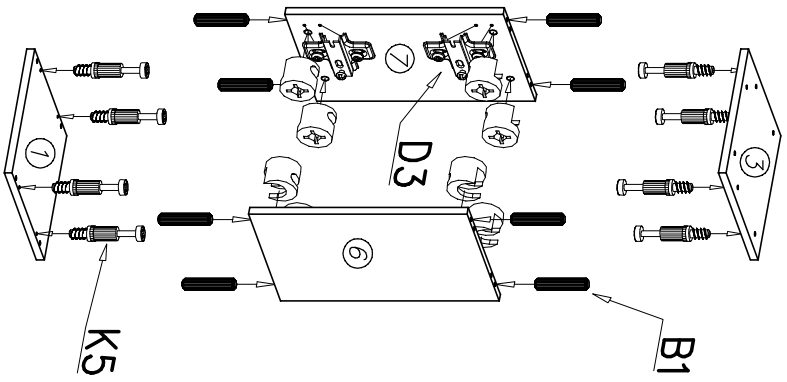
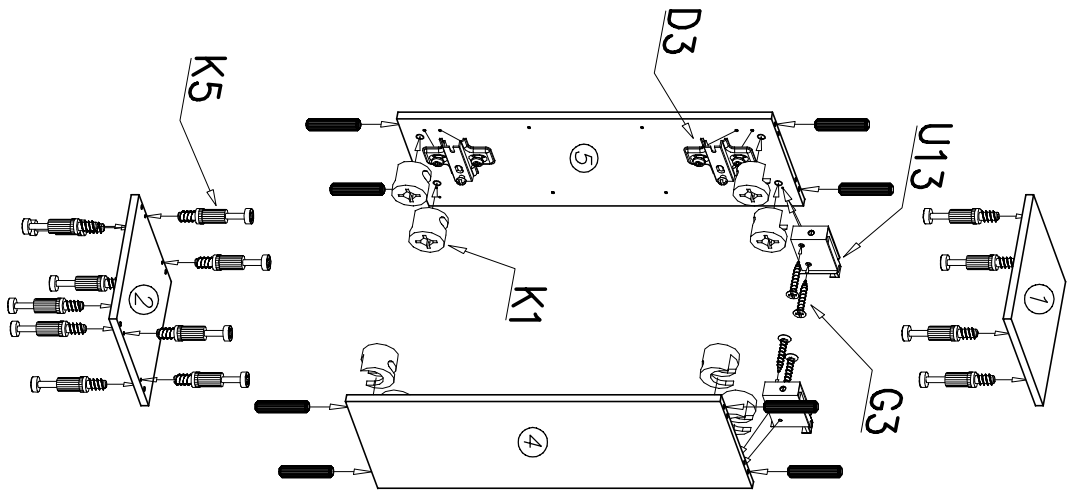
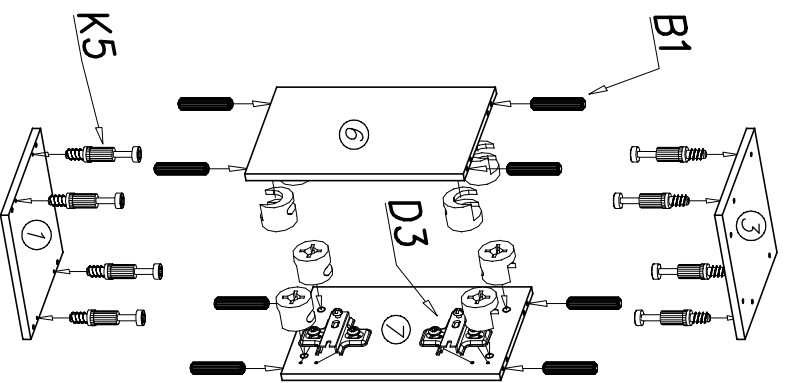
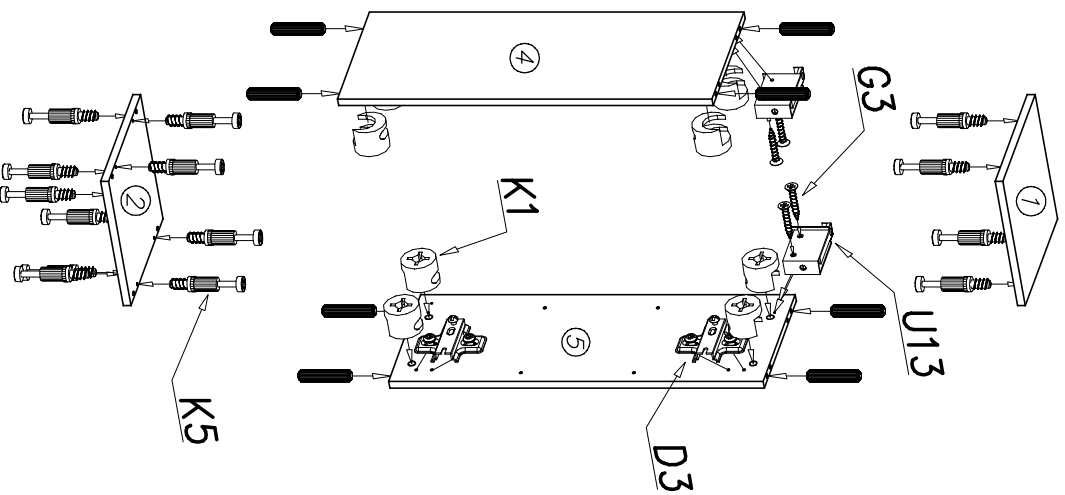


| | | | | |
|--|---|--|--|---|
| A1  $\varnothing 7 \times 50$ x6 | F2  x8 | E14  x2 | C3  Z35PR x4 | D3  PZ35PR x4 |
| I8  $\varnothing 20$ x16 | G4  4x16 x8 | G16  4x27 x4 | U13  x2 | G3  4x30 x4 |
| K1  $\varnothing 15 \times 12$ x22 | W2  4mm x1 | K5  x22 | W4  x45 | B1  $\varnothing 8 \times 35$ x16 |

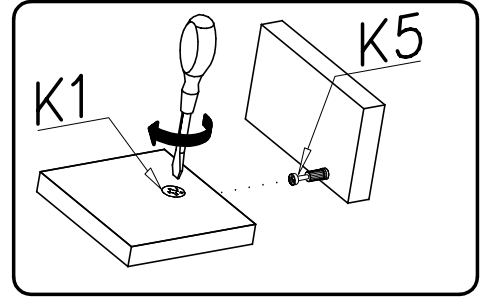
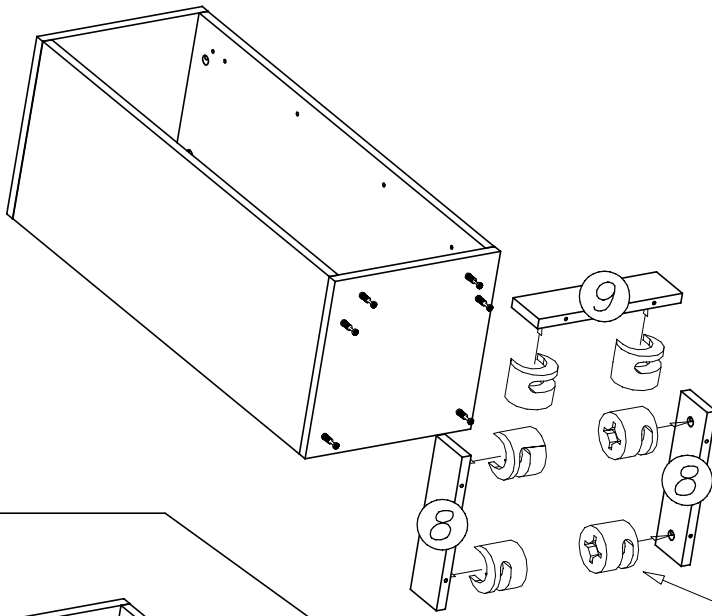


1 P

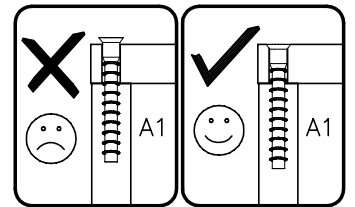
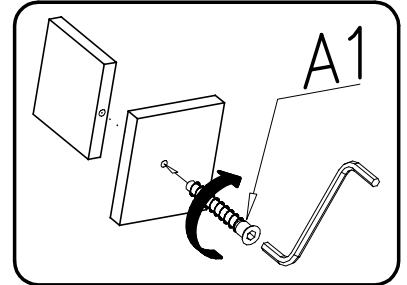
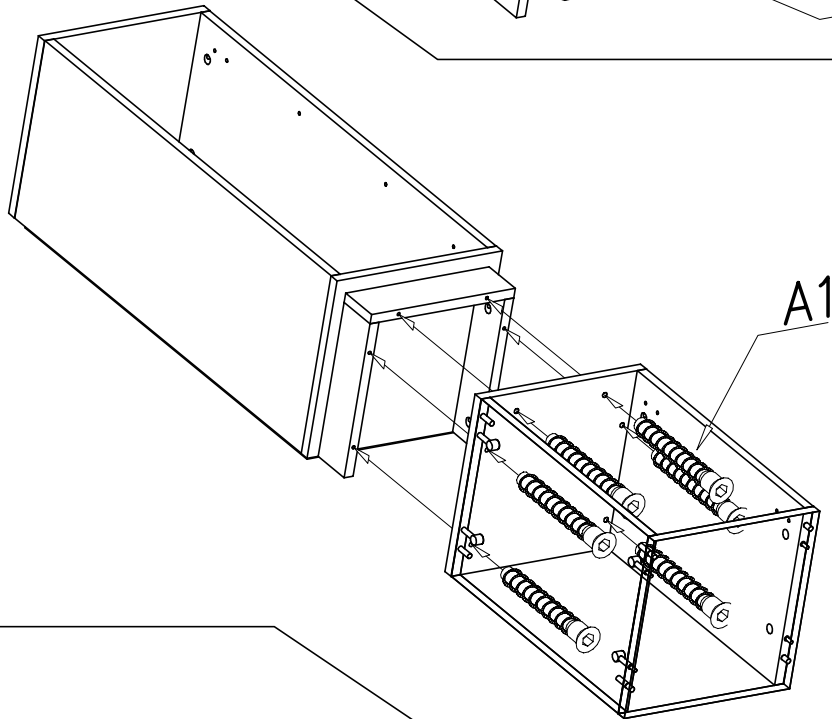
L



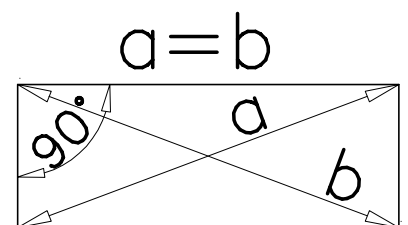
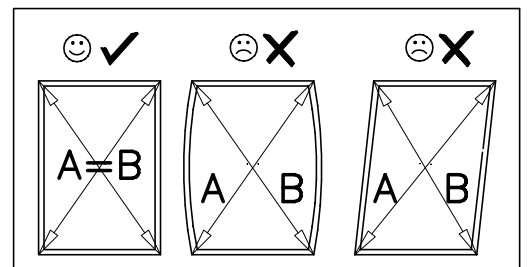
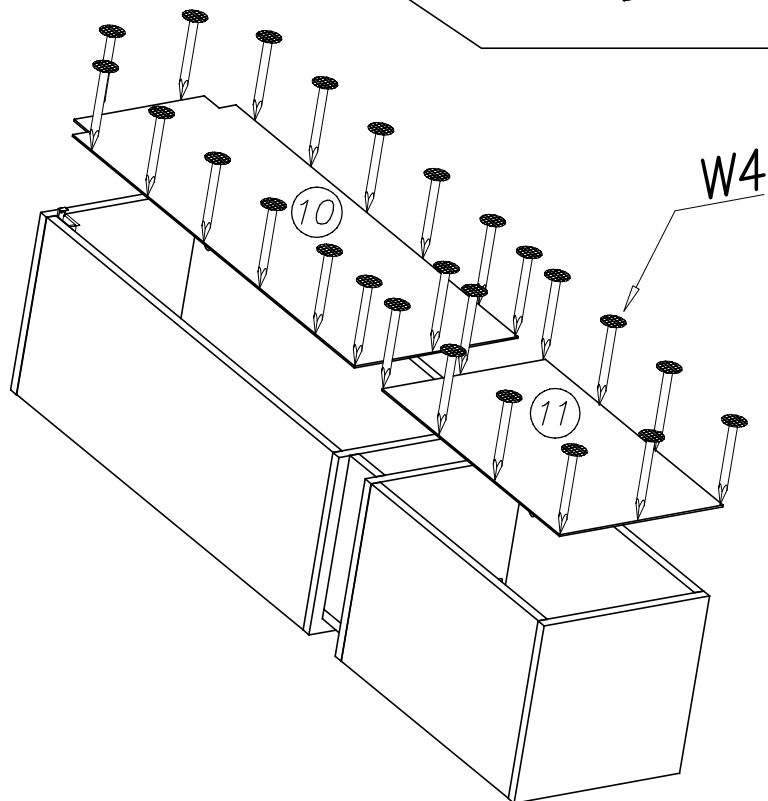
2



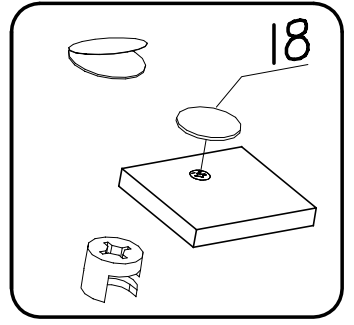
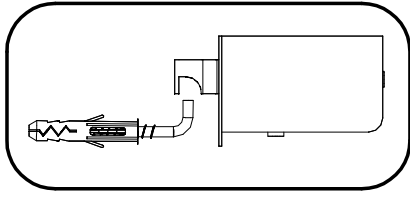
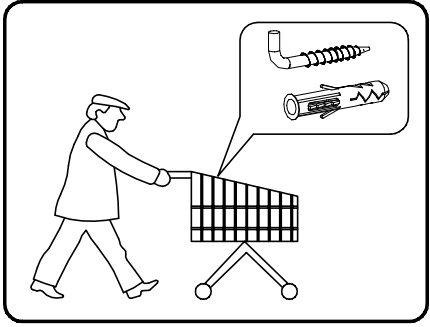
3



4

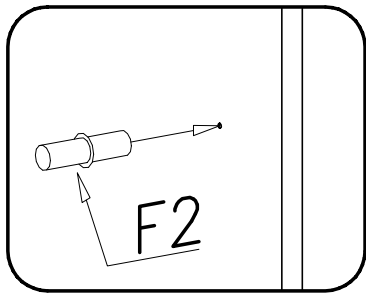
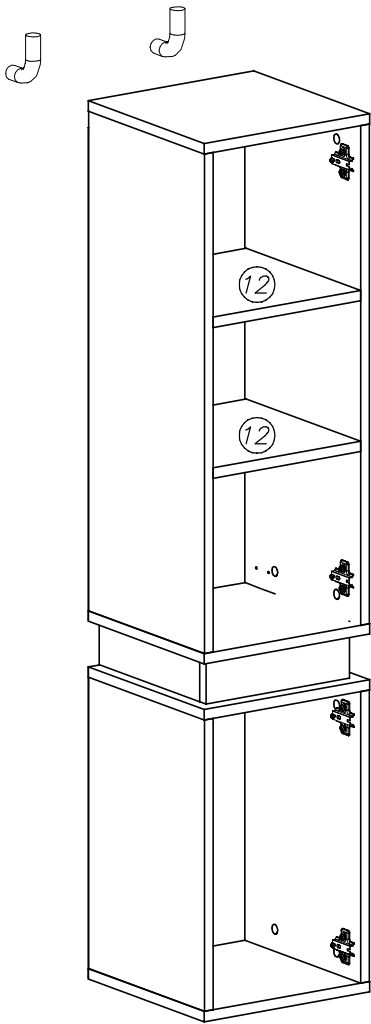


5

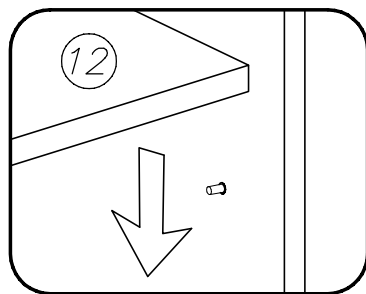


P

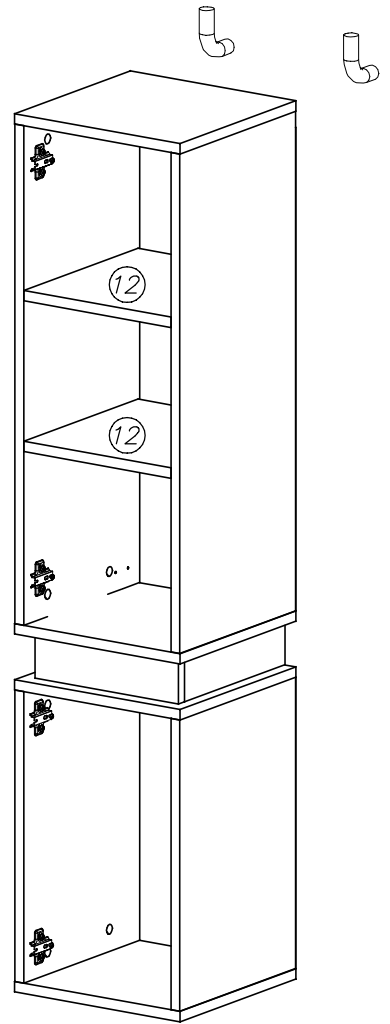
L



1



2



6

