



O  ø15x12 54x	P  ø8x30 54x
---	--



Q  ø18 44x	R  4x40 2x
--	--

S  4x16 4x	T  3x16 64x
--	---

U  ø8x40 2x
---

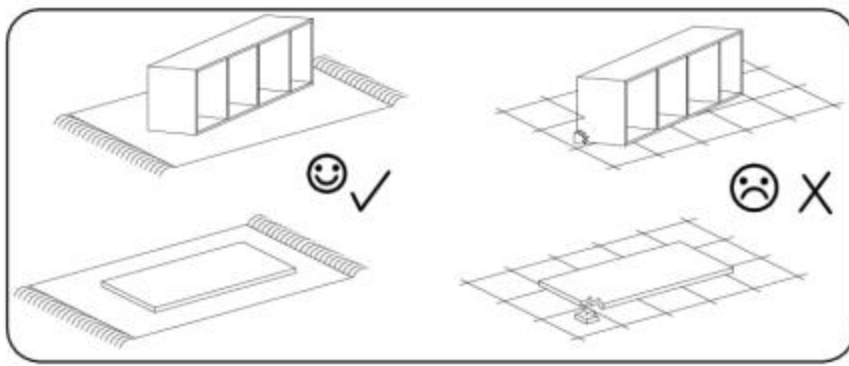
W  54x	X  4x
---	--




Y  4x
--

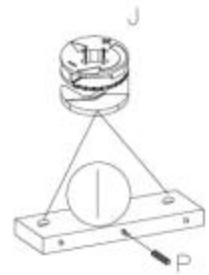
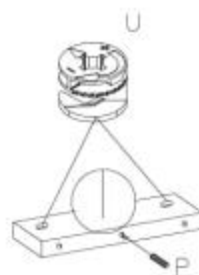
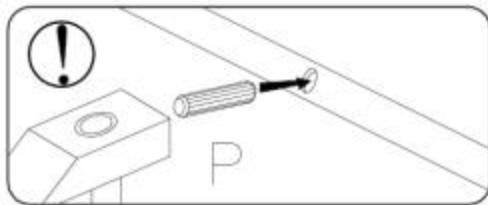
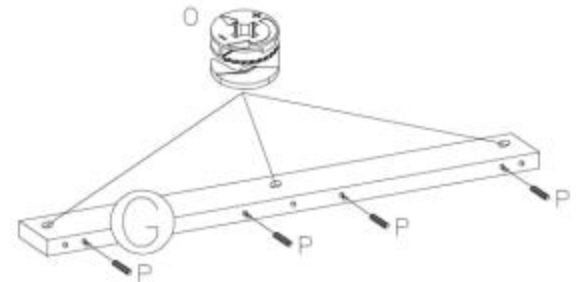
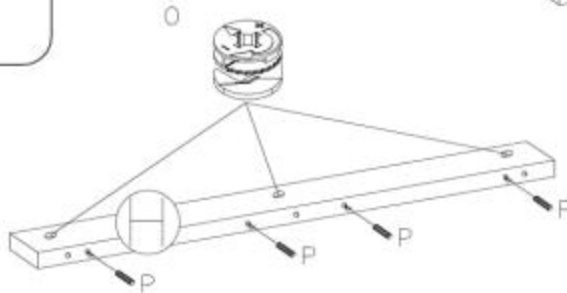
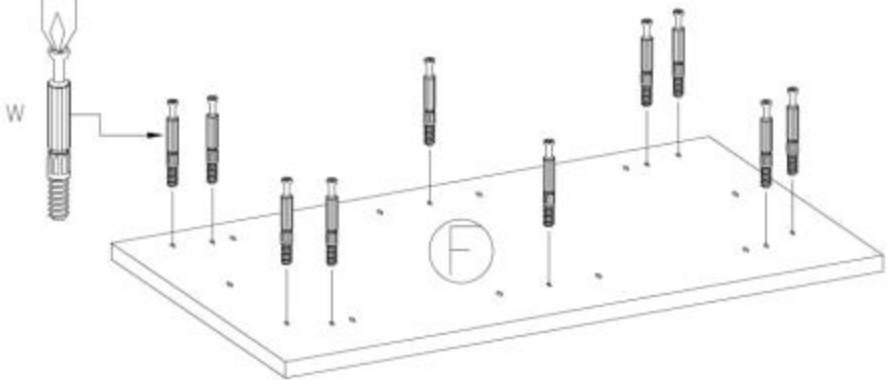
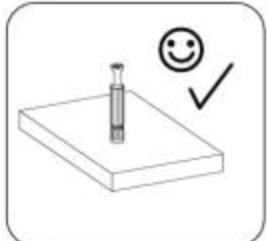
Z  8x
--

Z1  2x
---

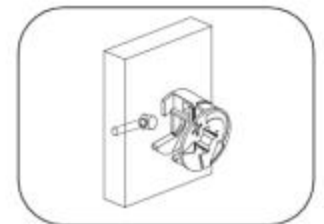
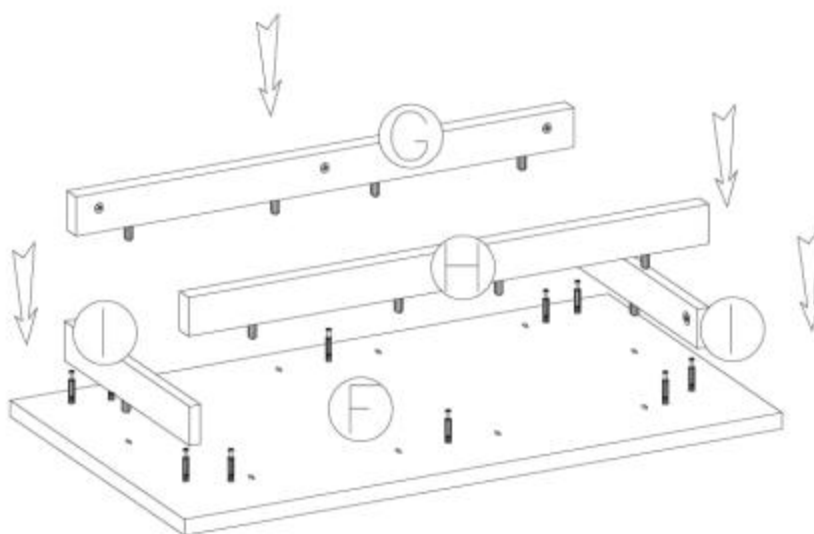
1



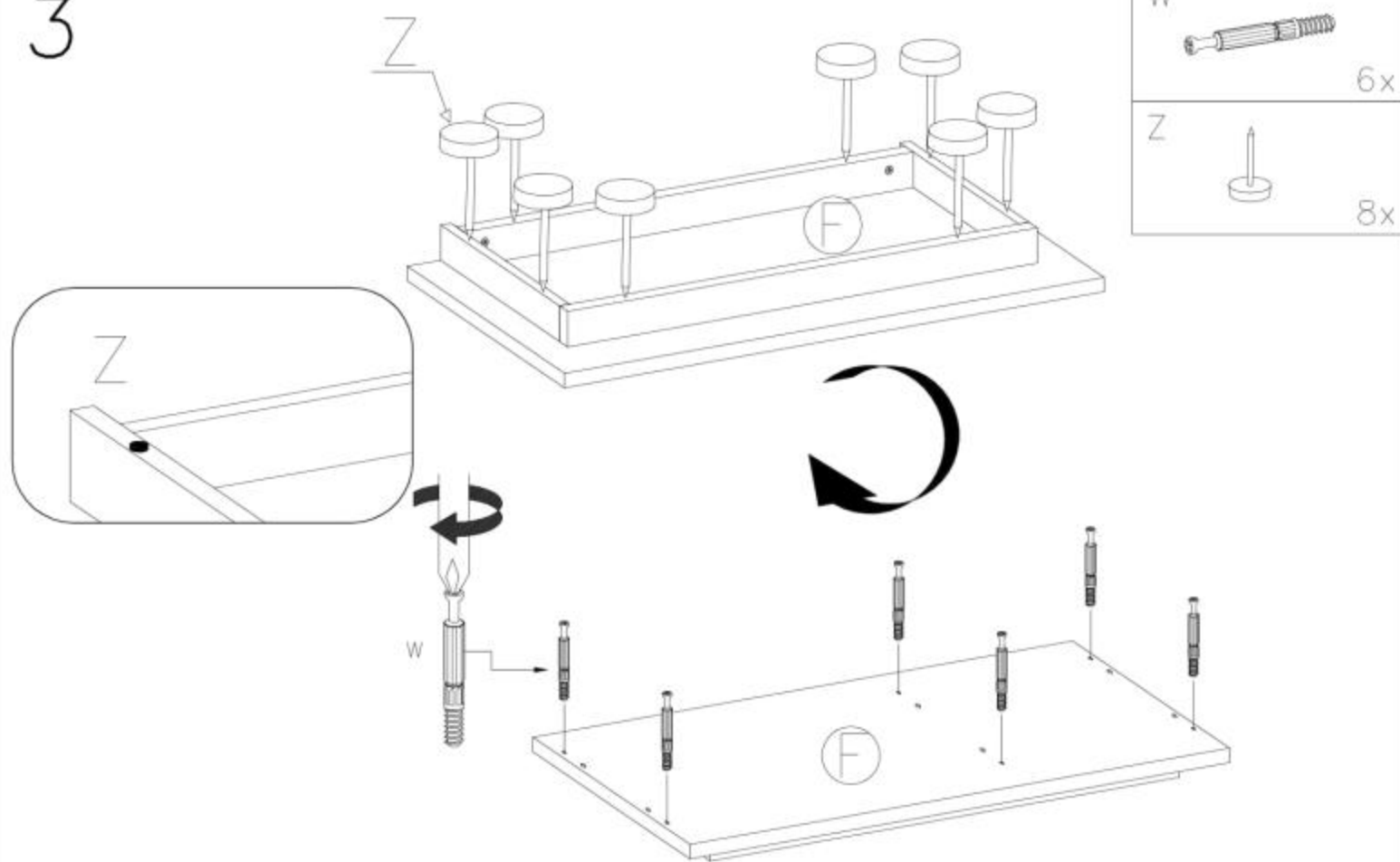
O		10x
P		10x
W		10x



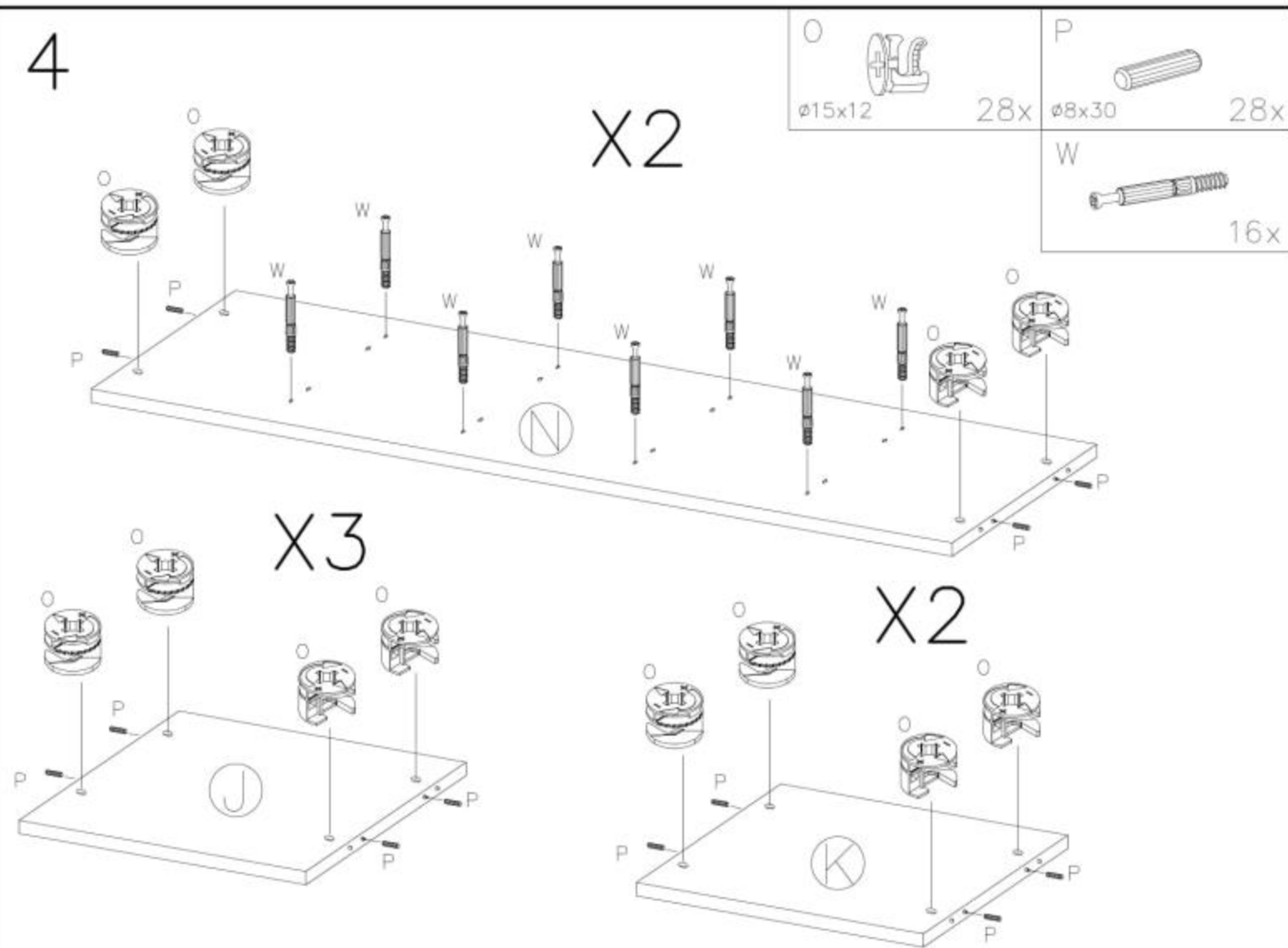
2



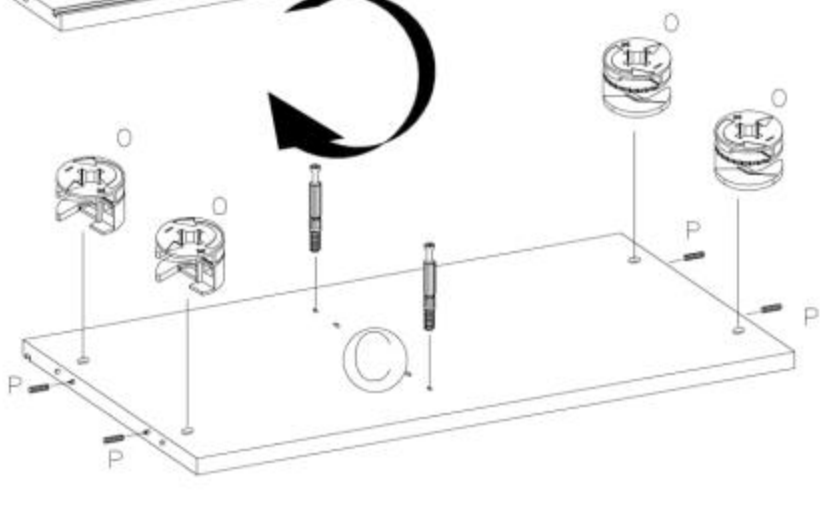
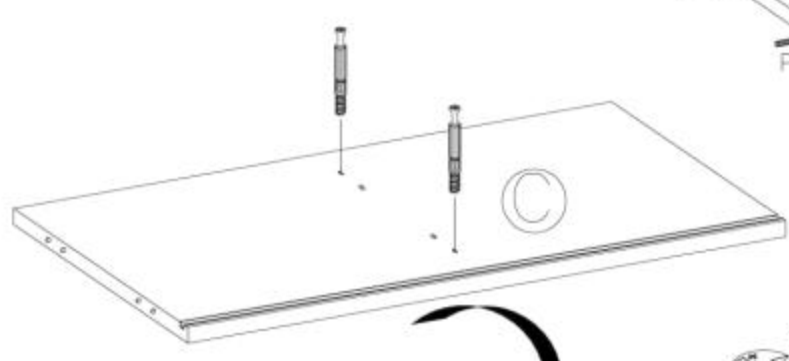
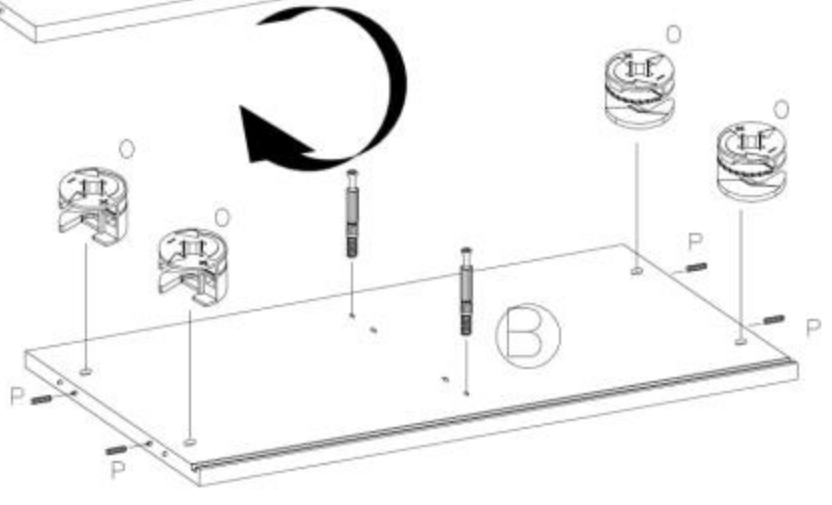
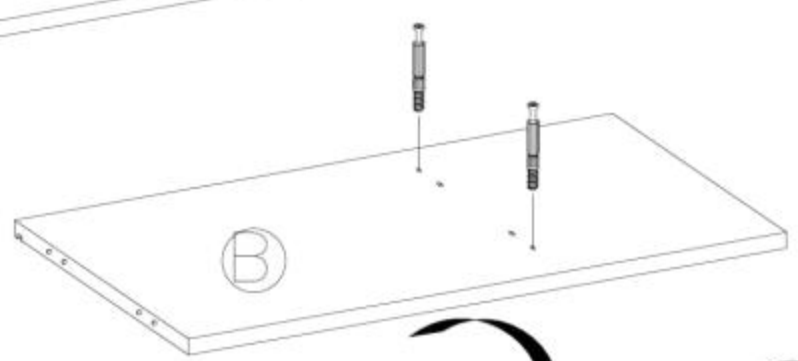
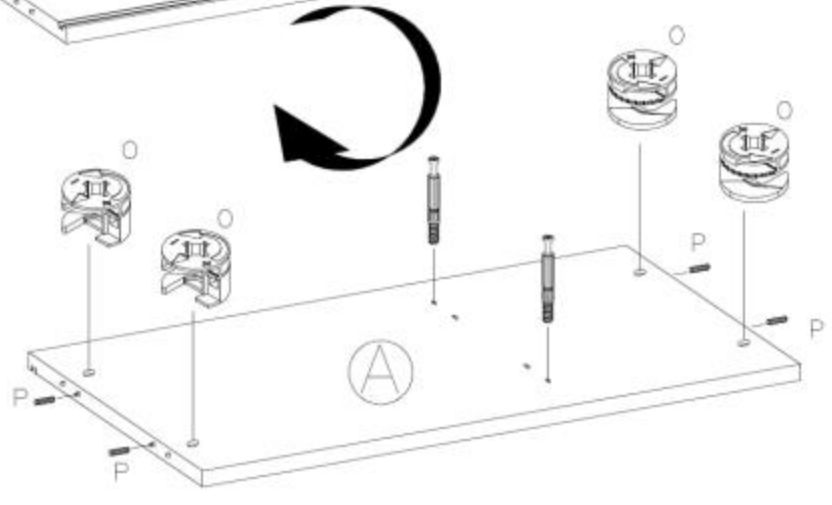
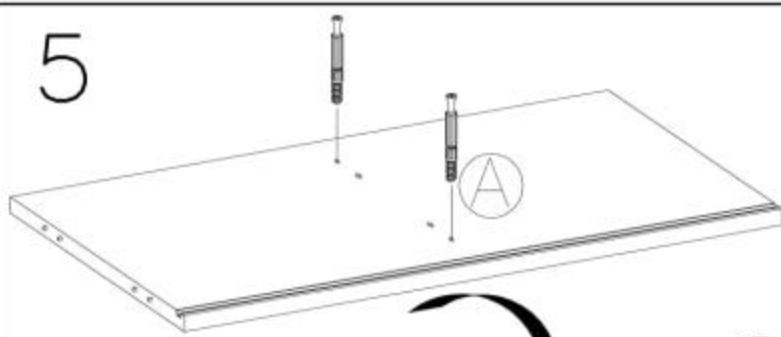
3






4

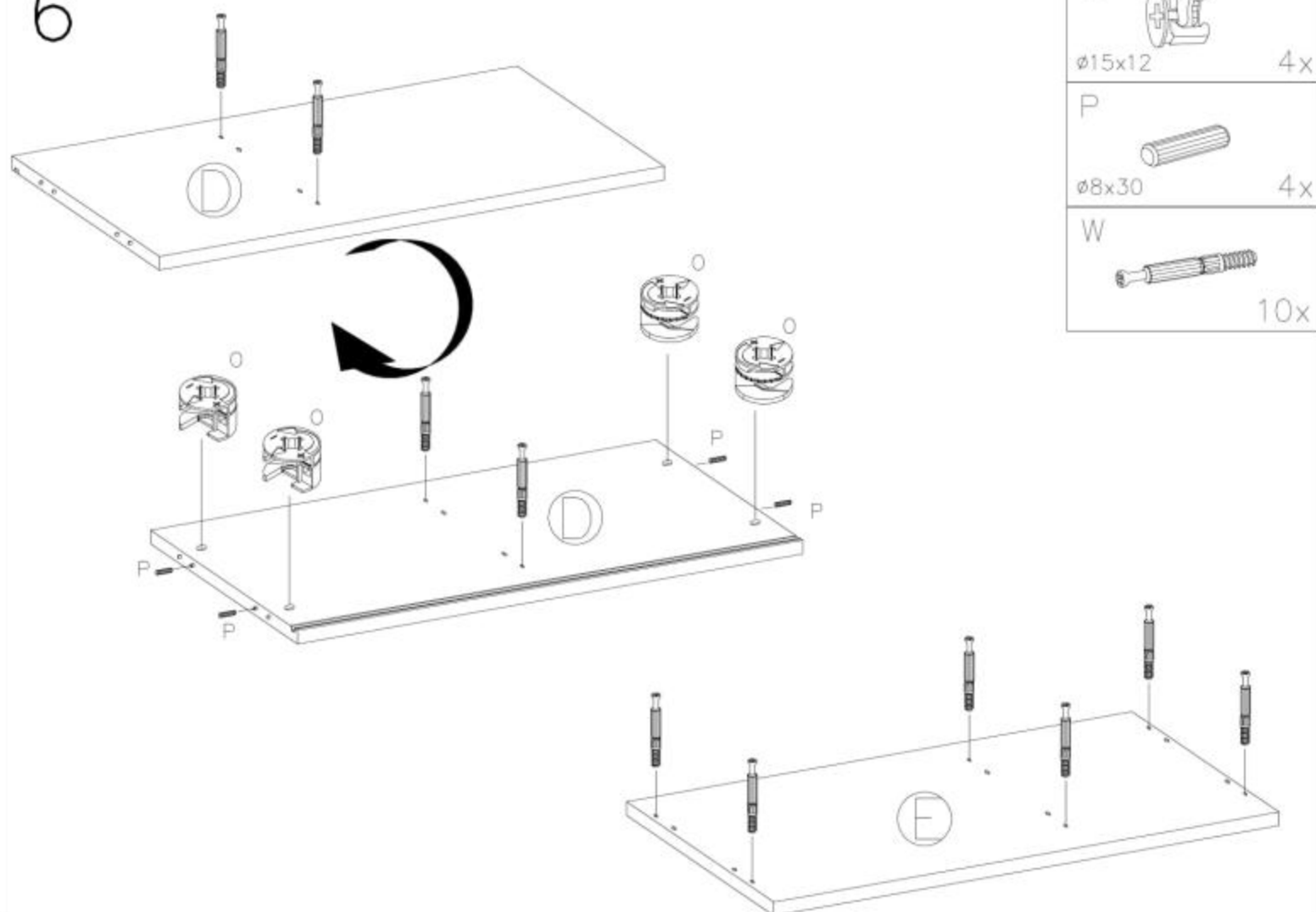


5

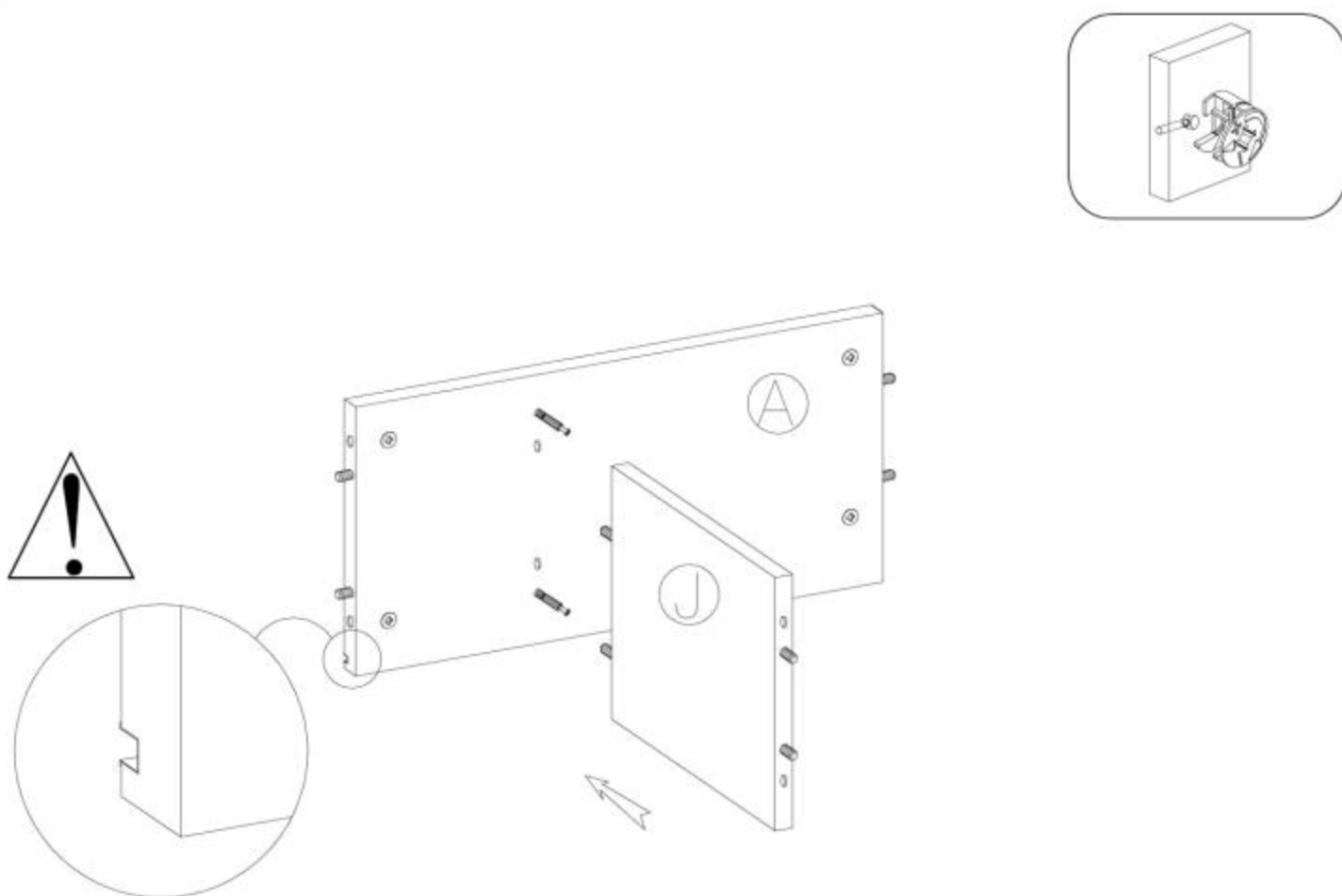


O		12x
P		12x
W		12x

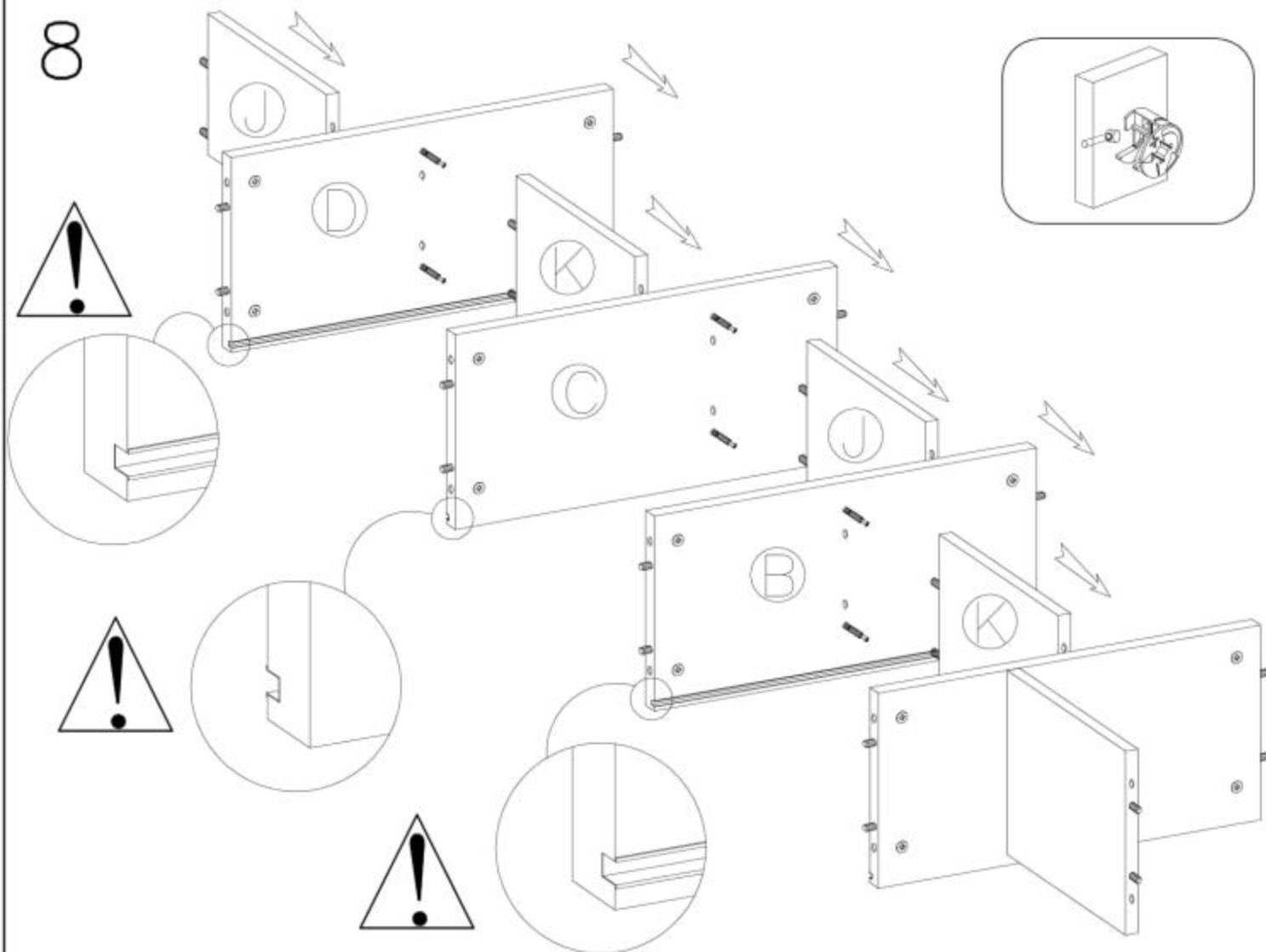
6



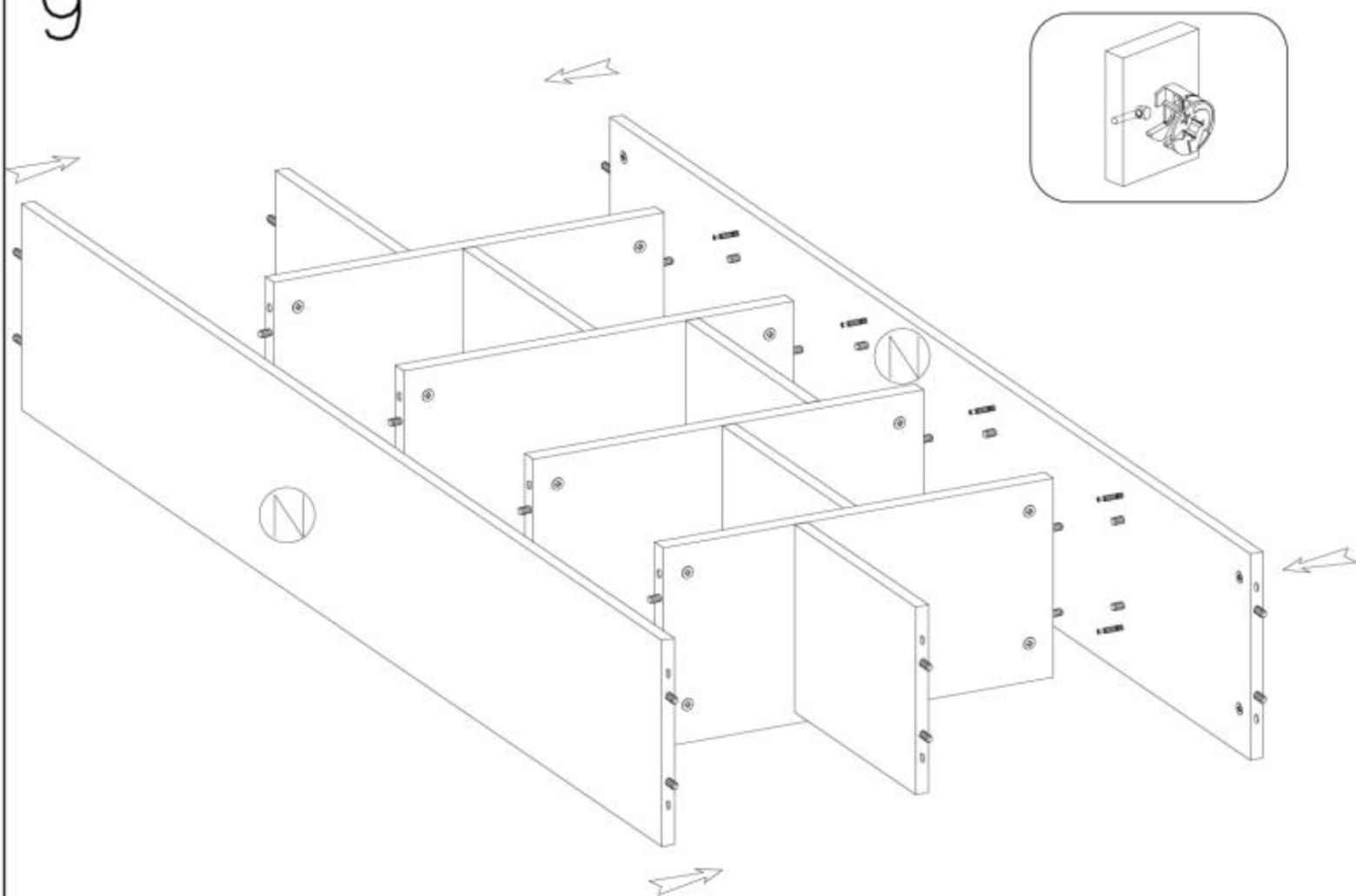
7



8



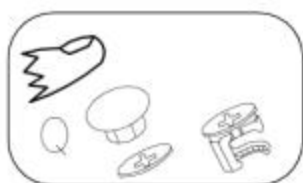
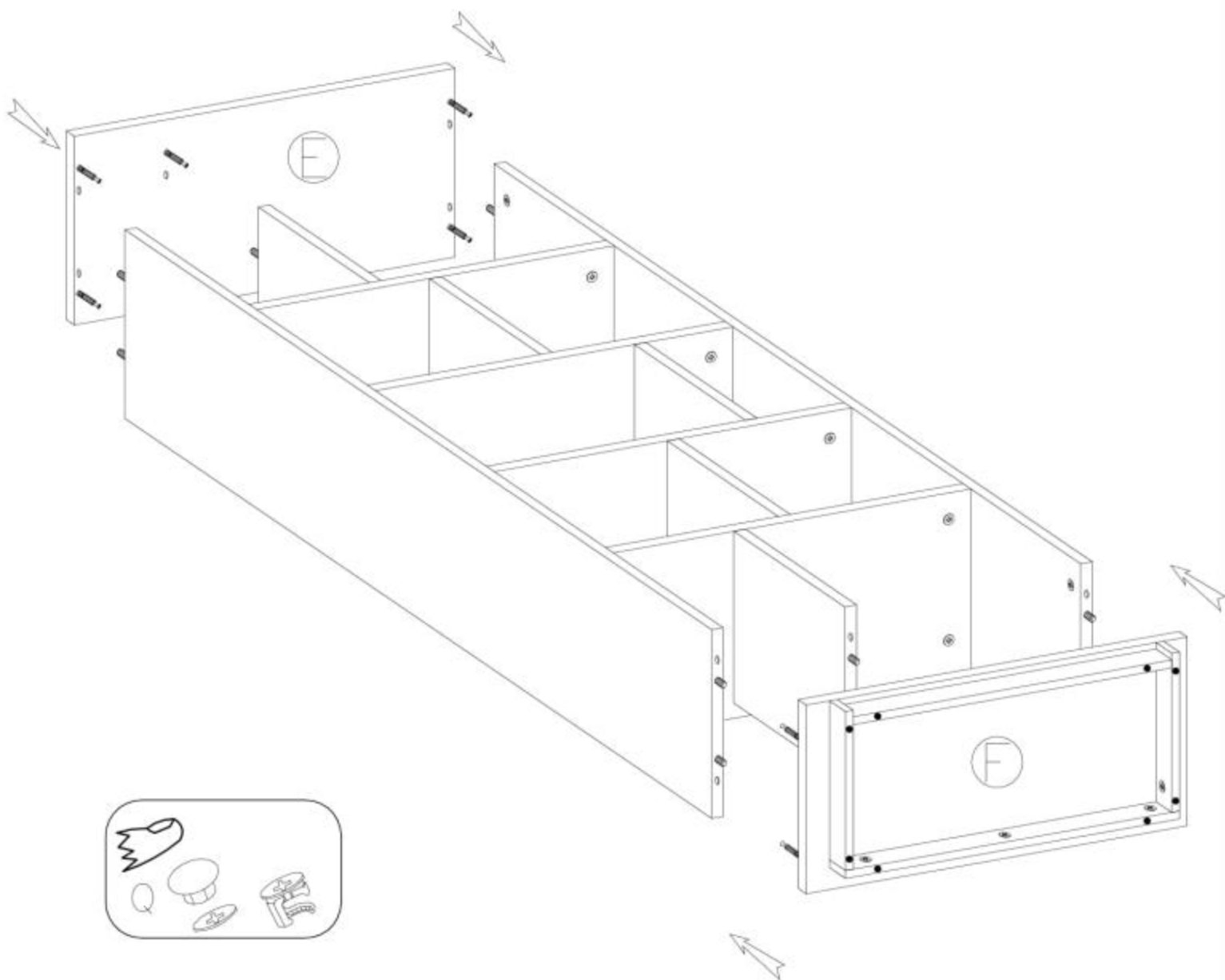
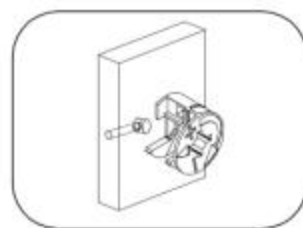
9





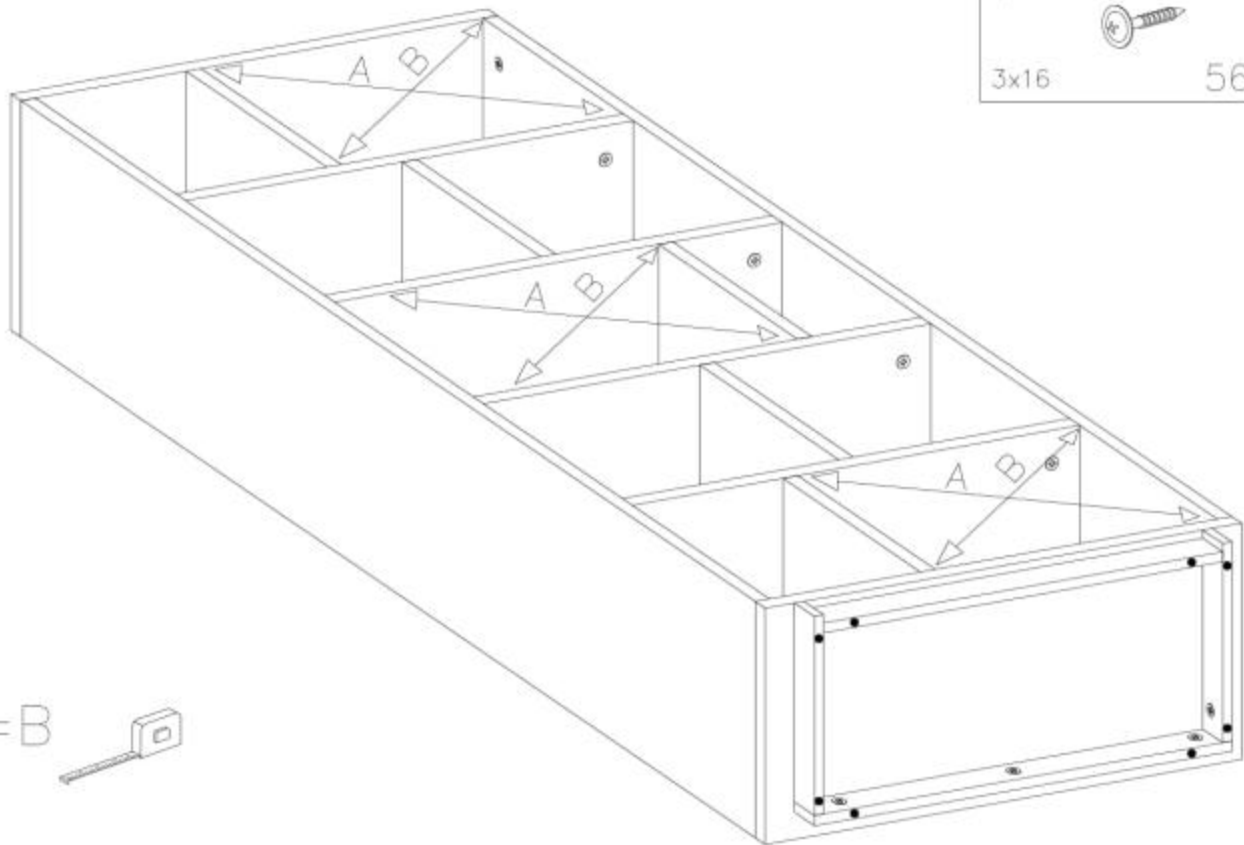
10

Q  
ø18 44x

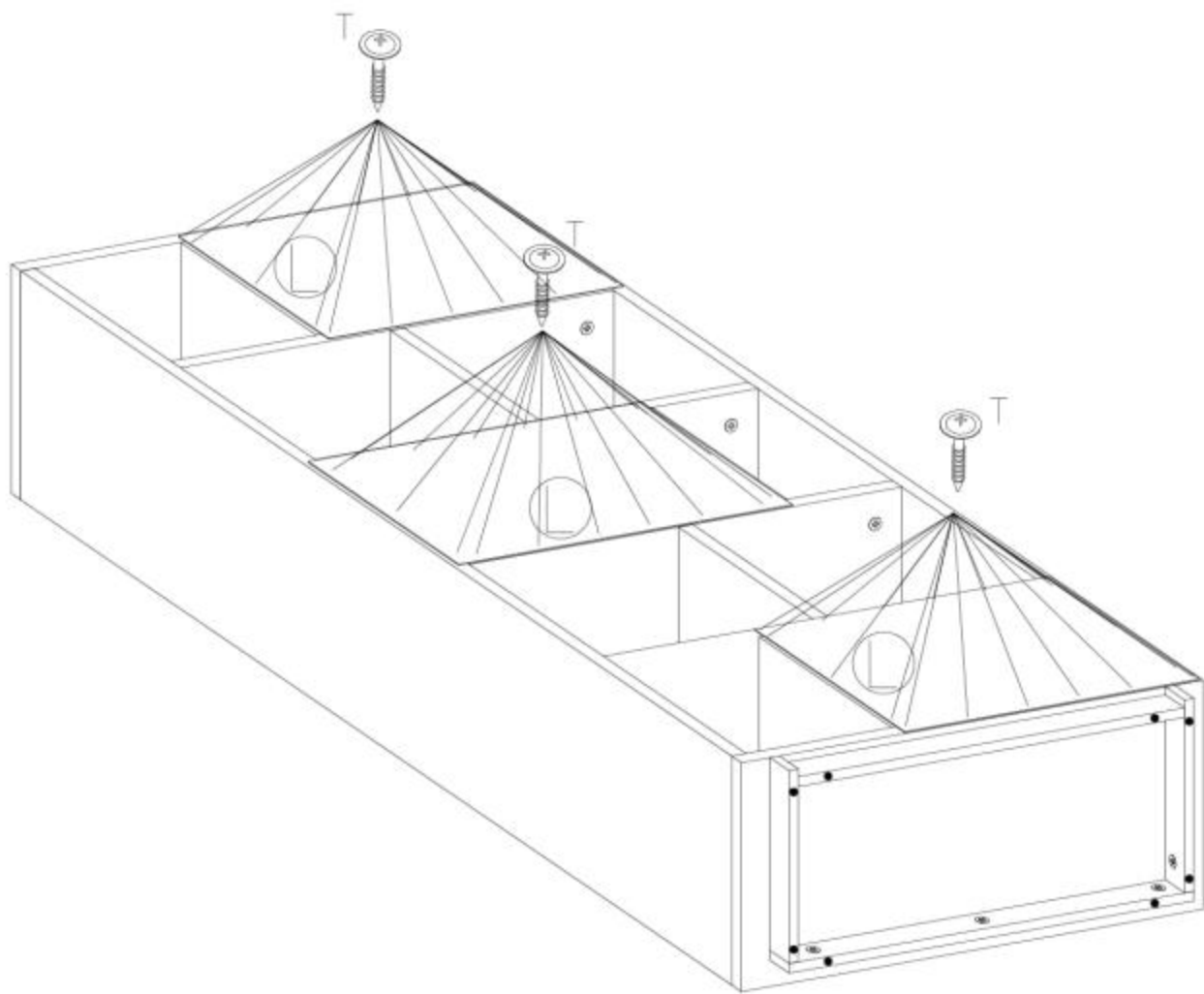


11

T  
3x16 56x



A=B

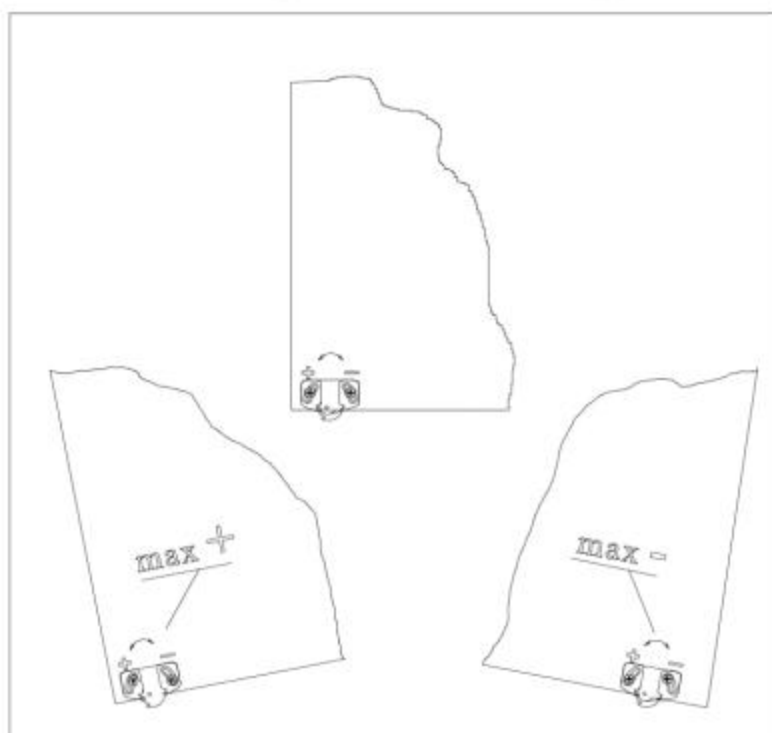
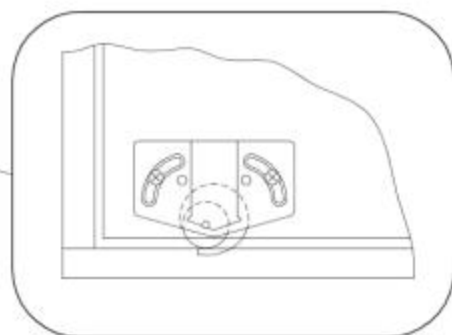
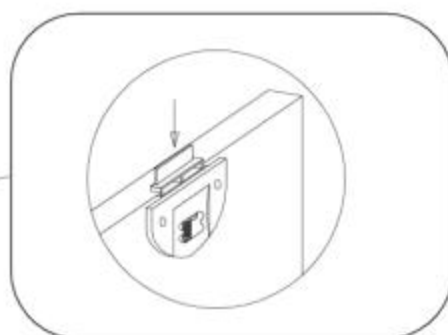
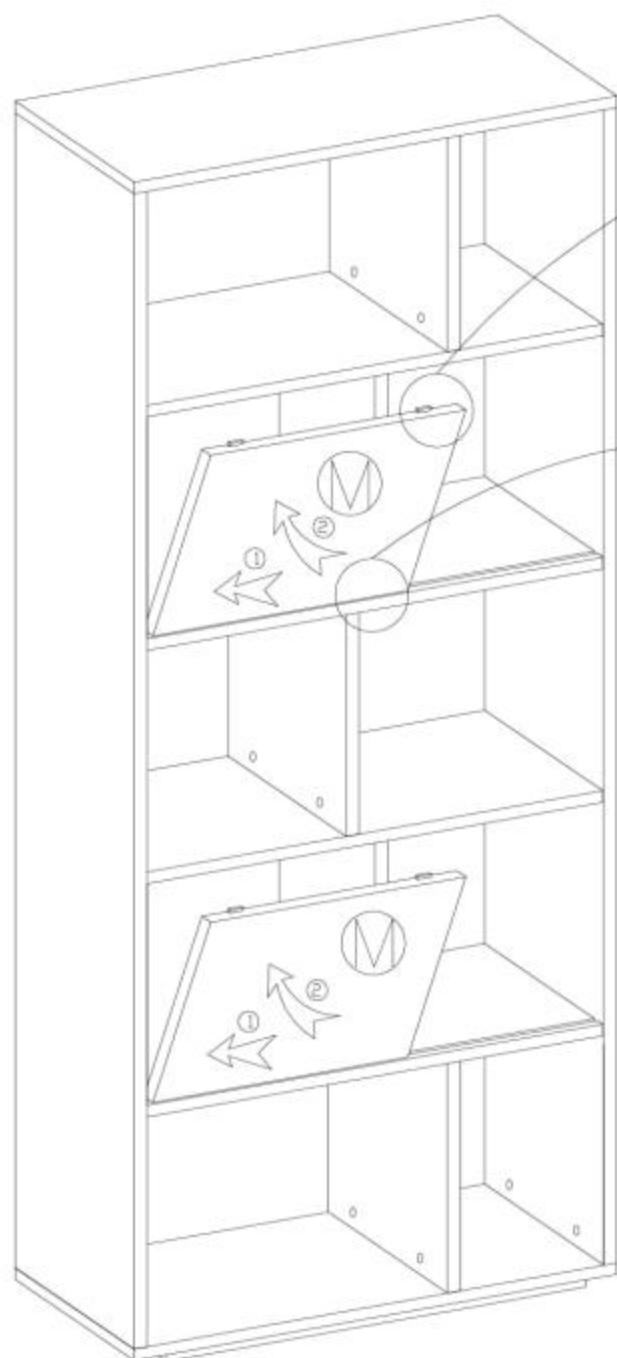
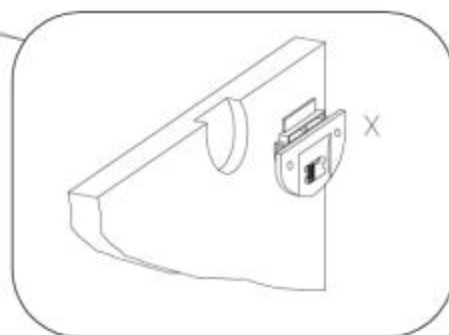
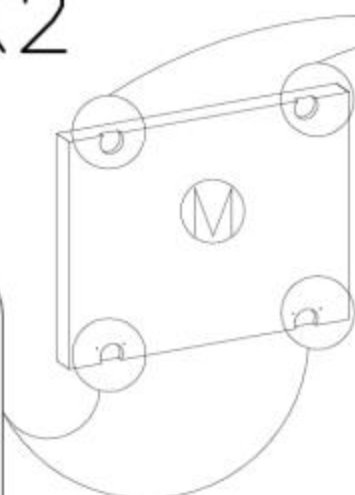
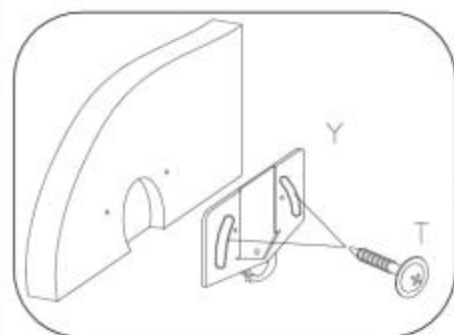








12

T		X		Y	
3x16		8x		4x	4x

X2



# 13

Z1		R		S		U		
	2x	4x40		2x	4x16	4x	ø8x40	2x

