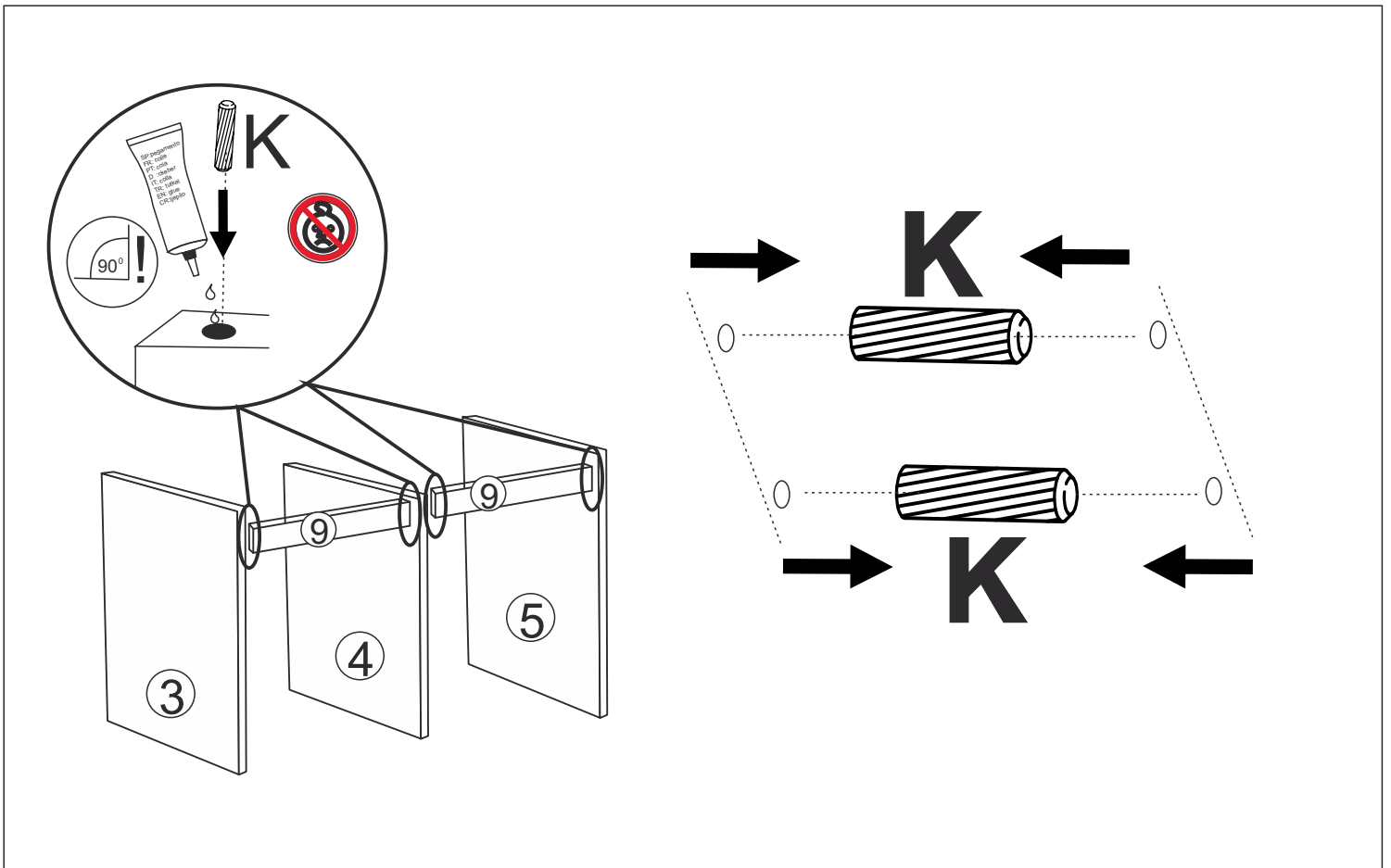
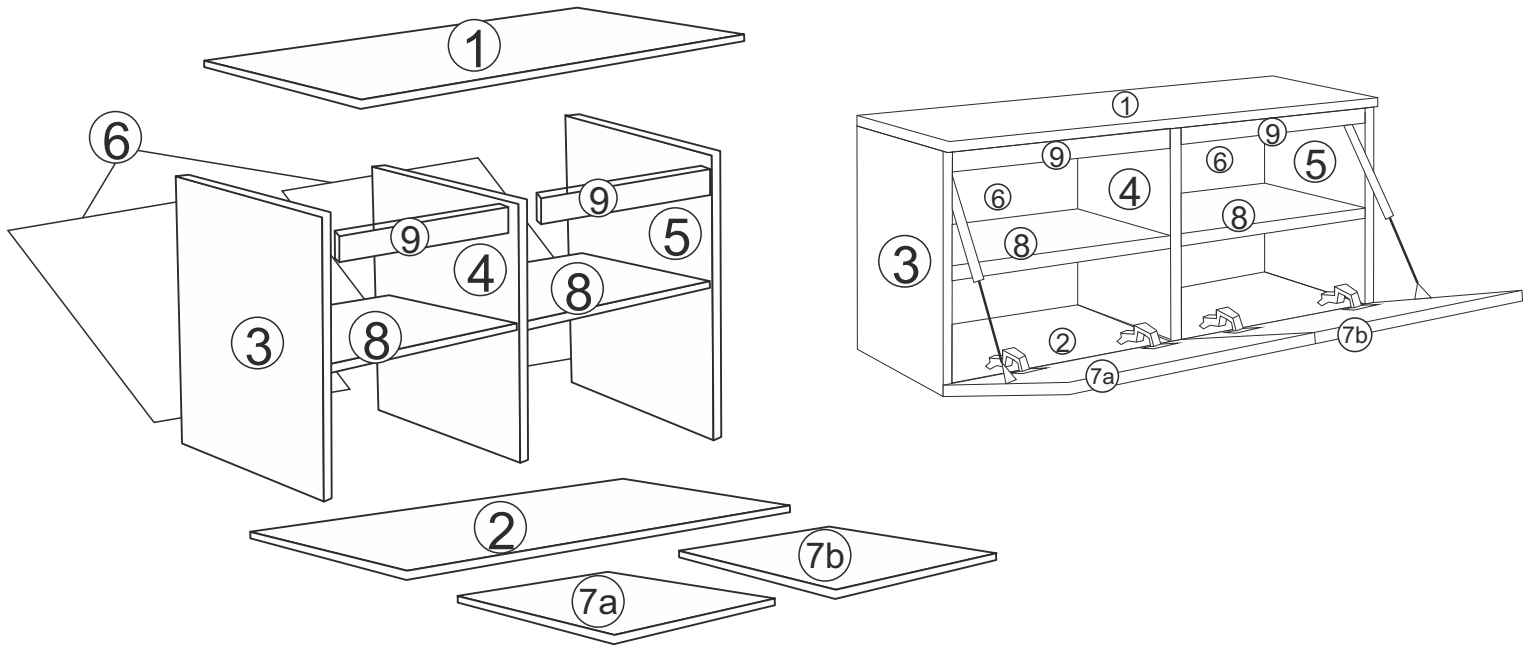
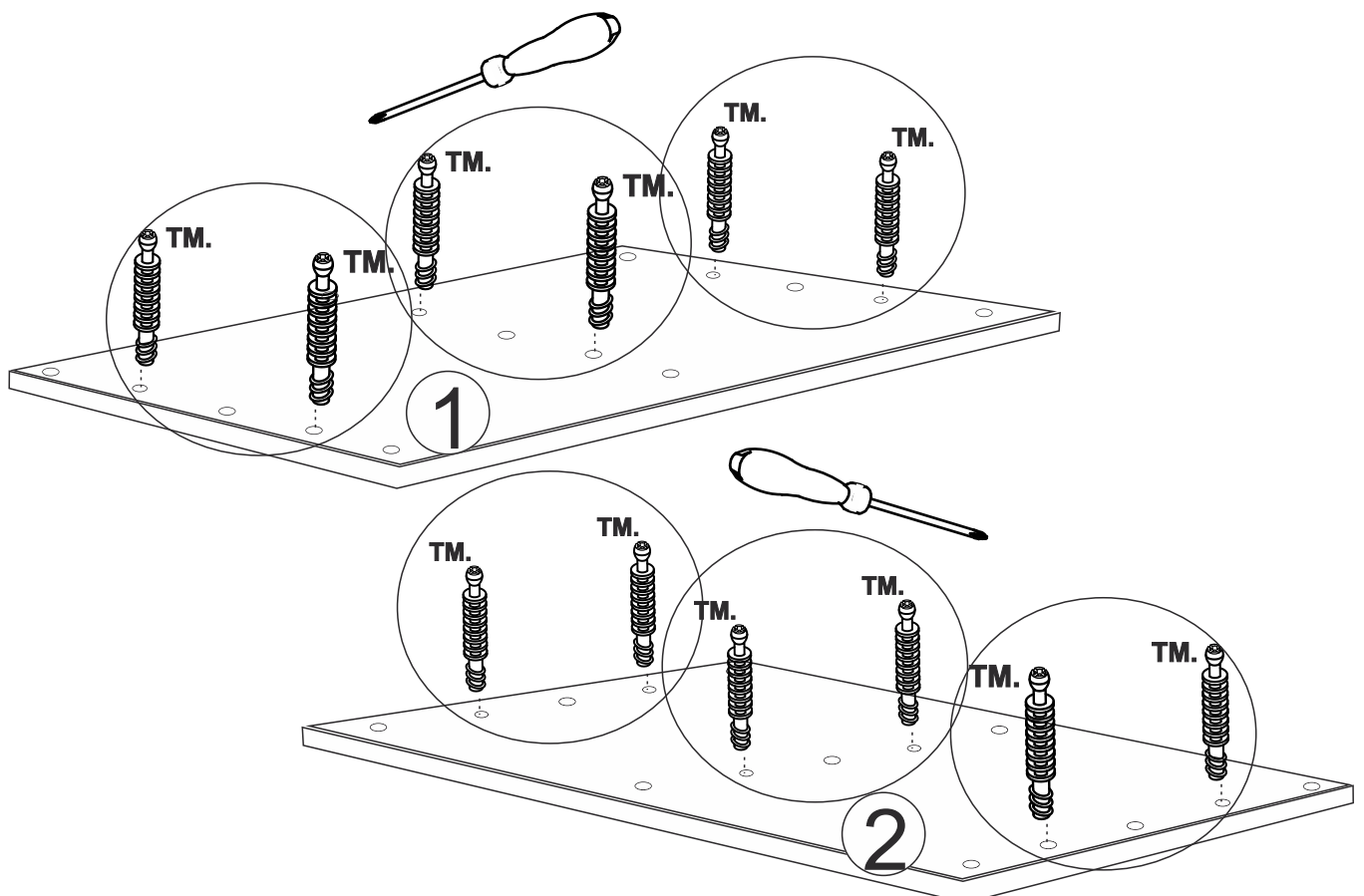
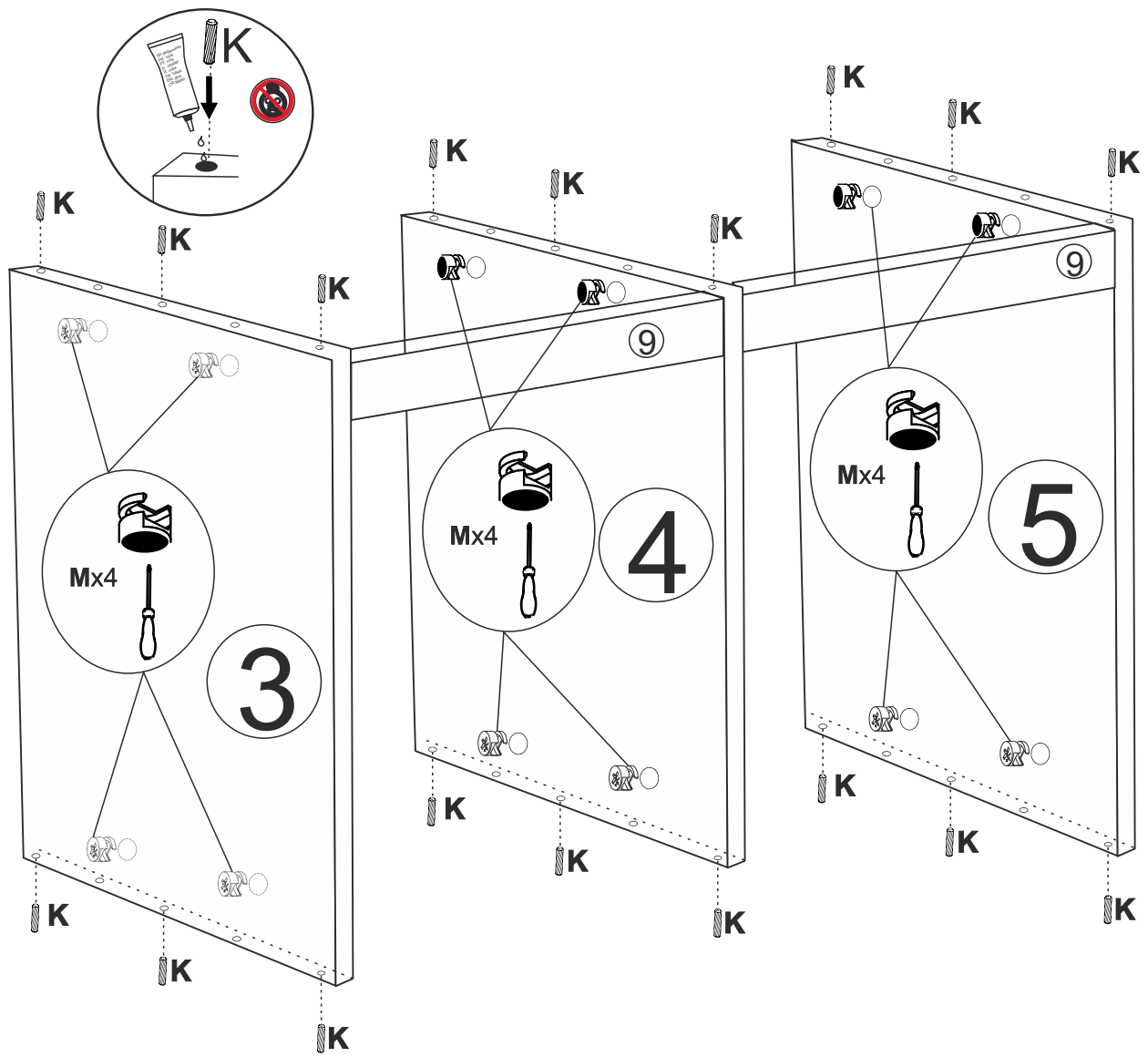
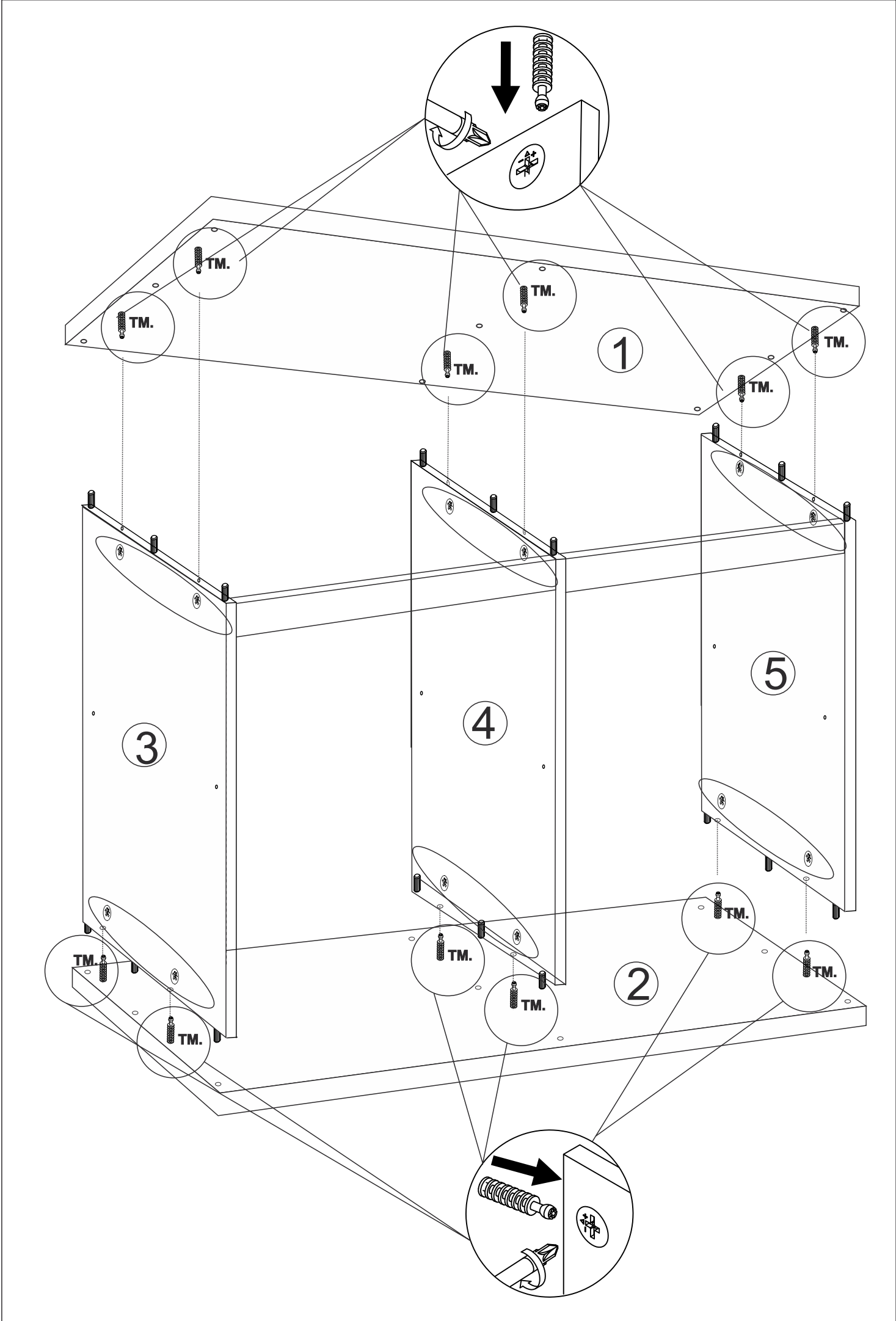
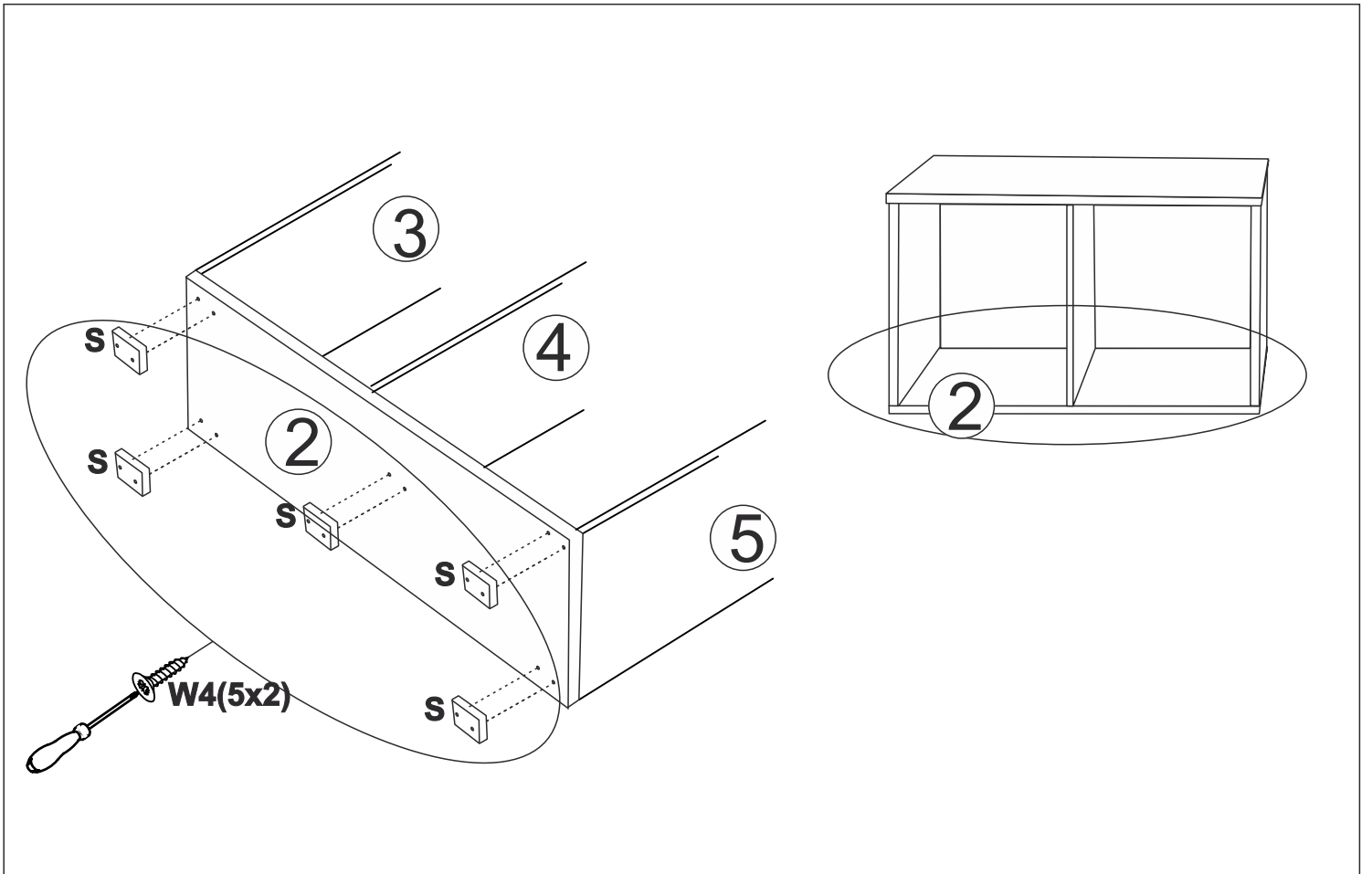
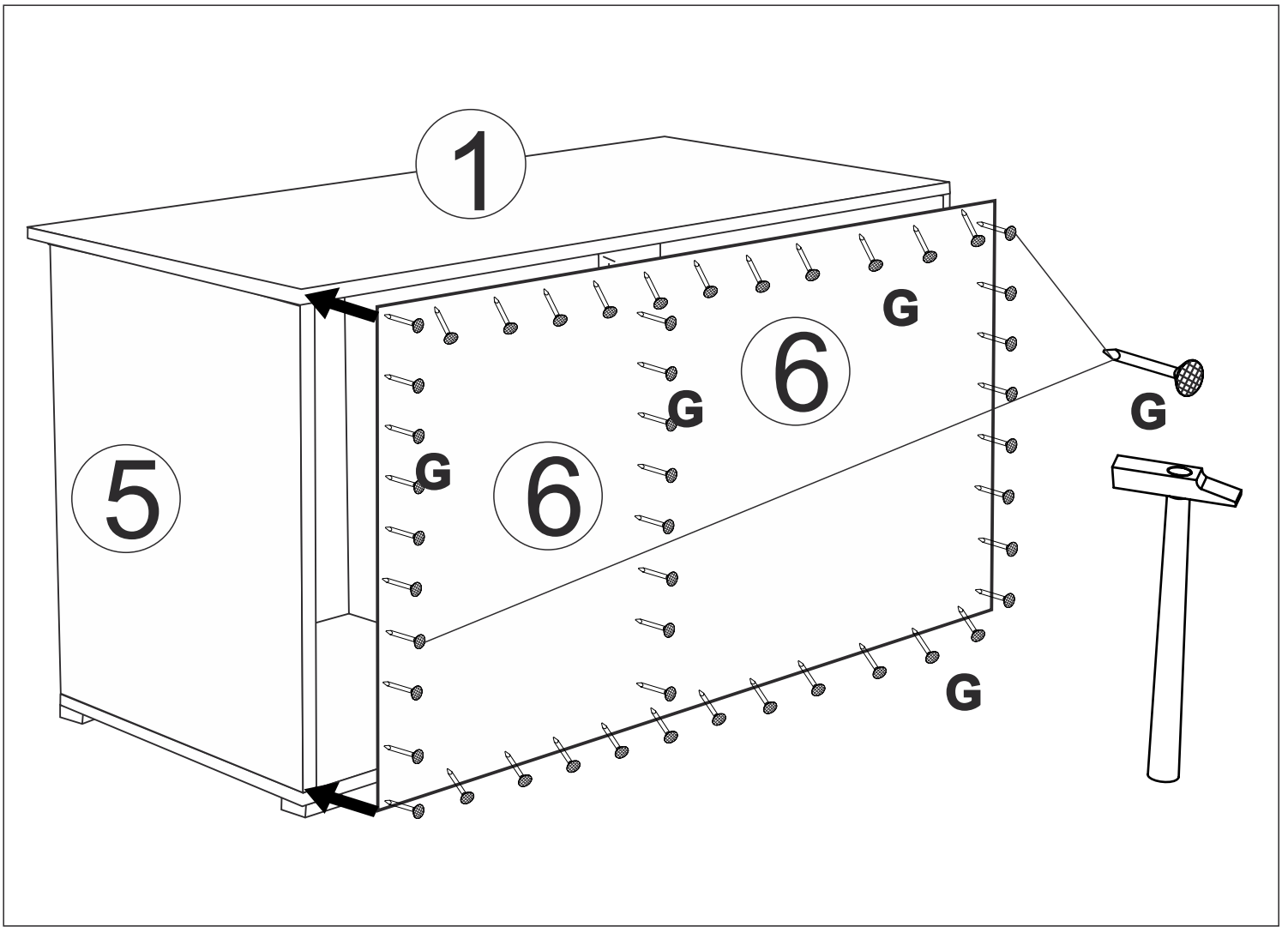


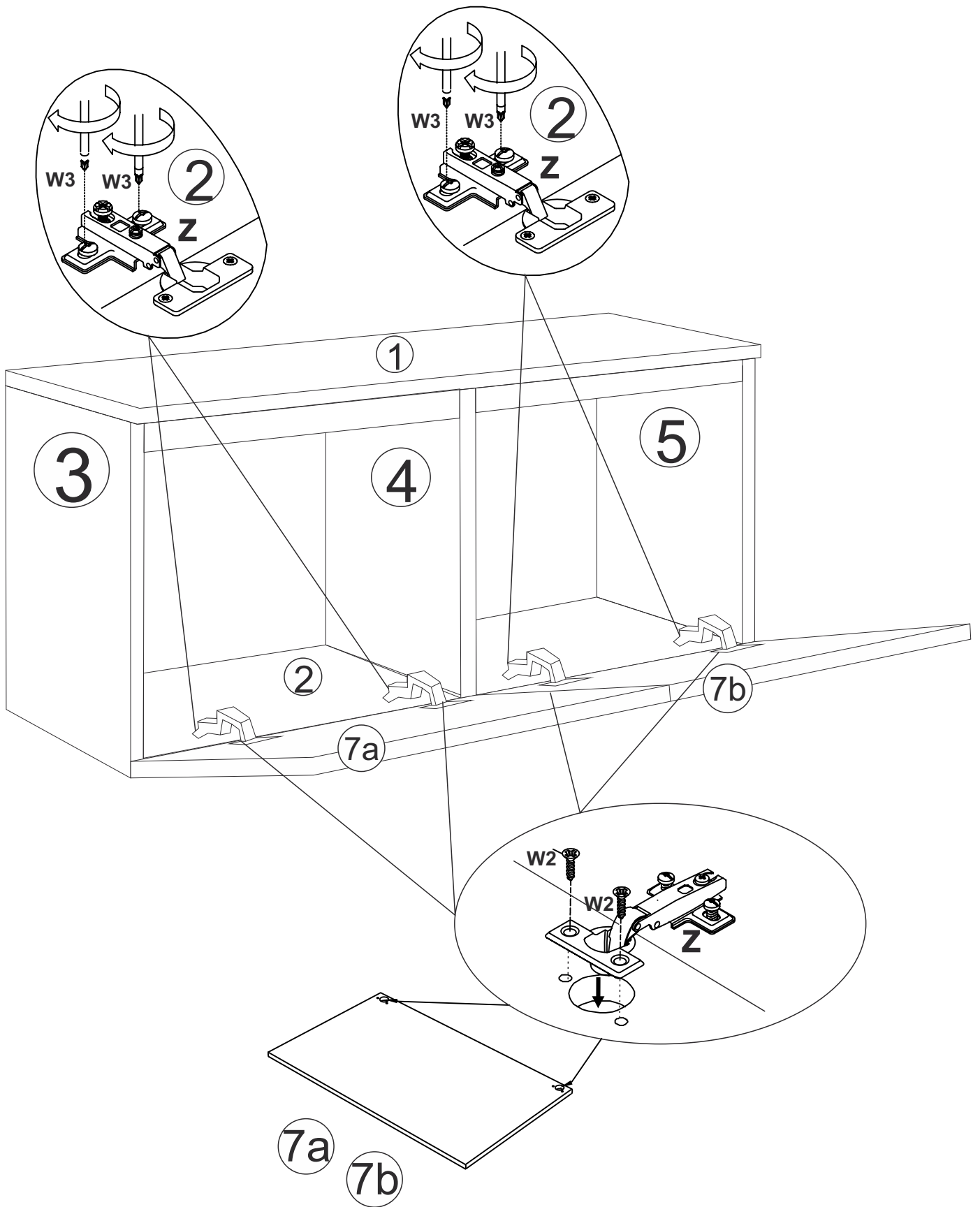
			Kx26szt 	TMx12 	Mx12 	G
W2 16x3,5mm x18	W3 16mmx6 x8	W4 25mmx3,5 x10	S x5	C x8		

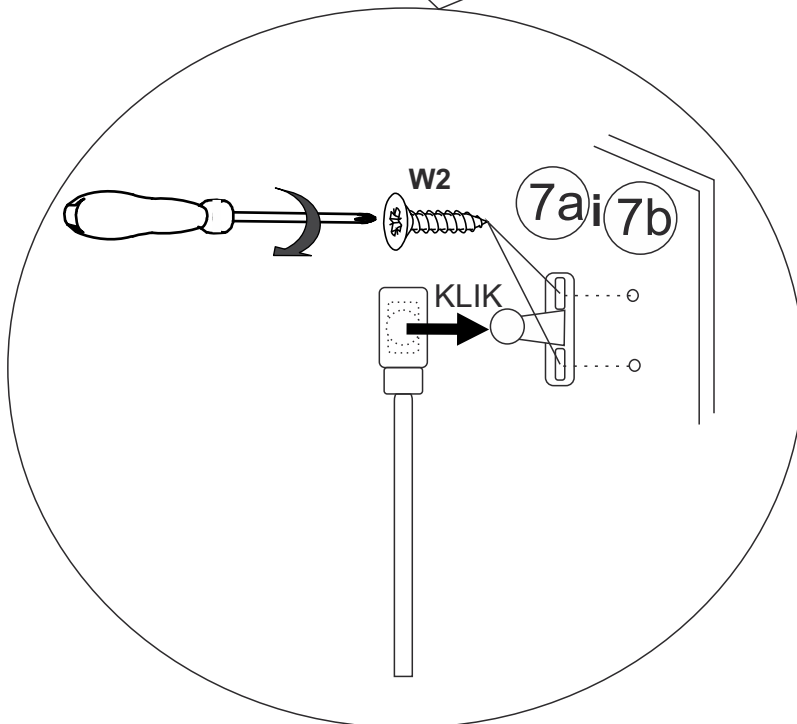
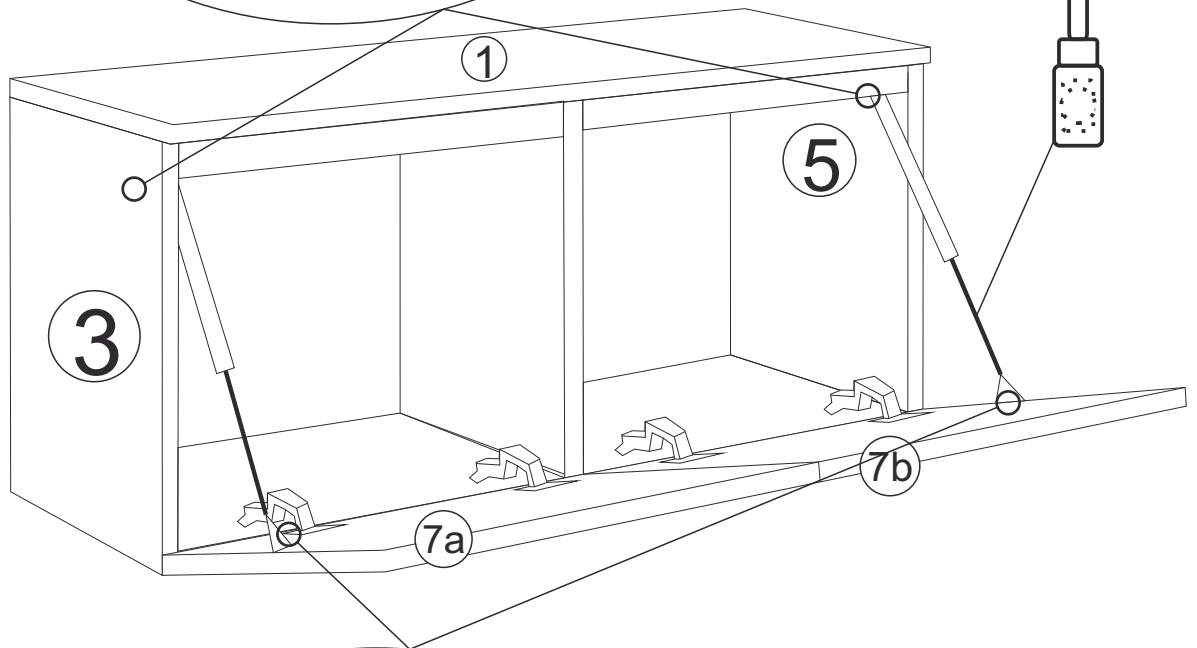
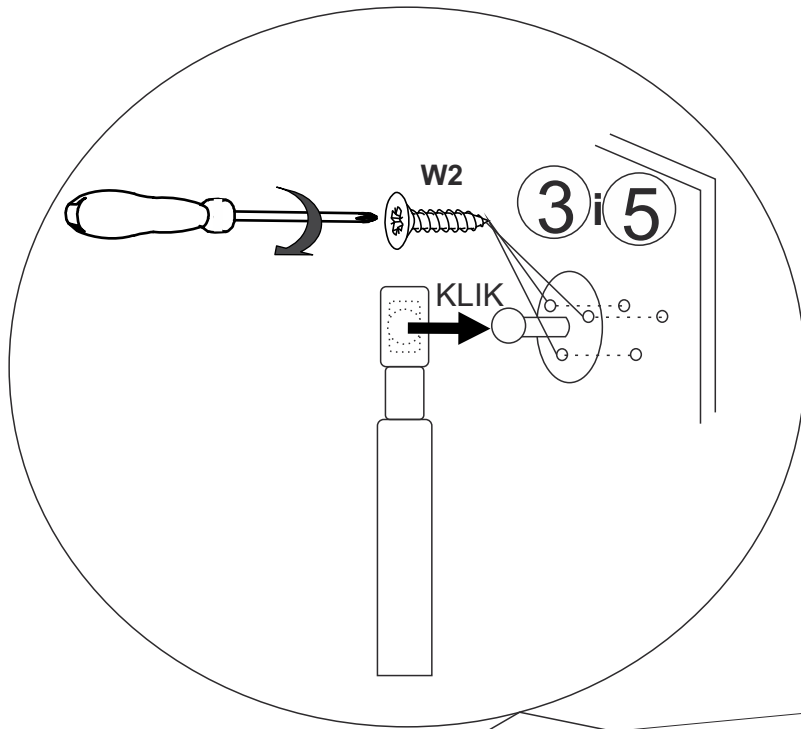


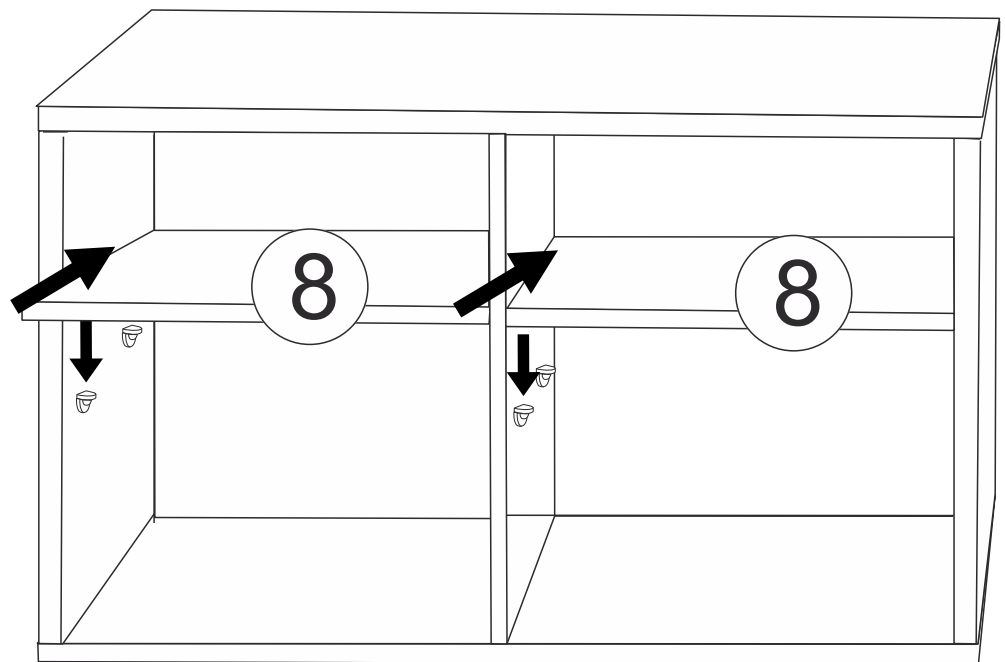
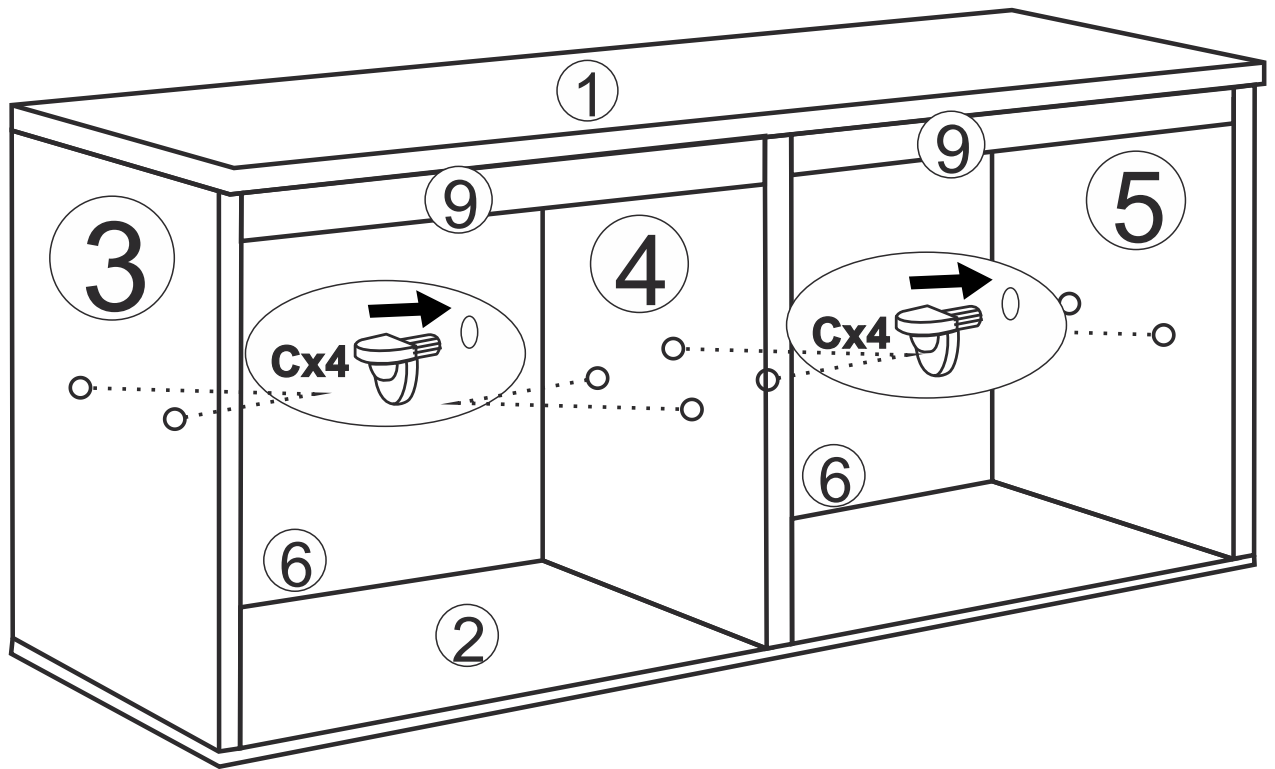









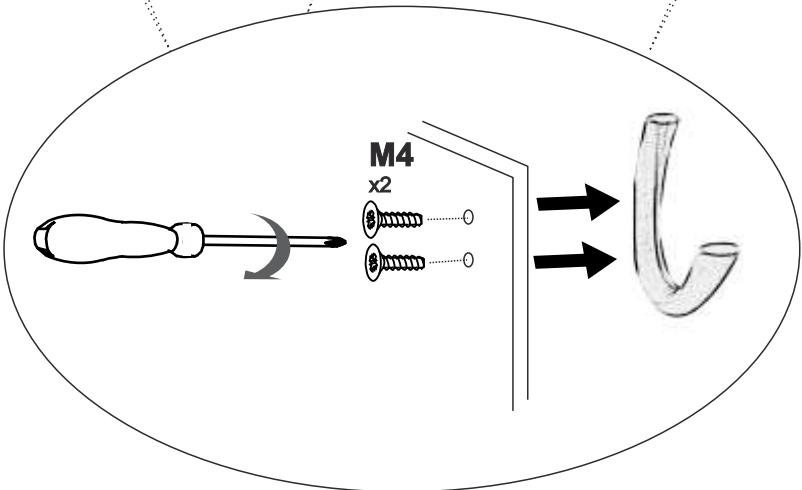
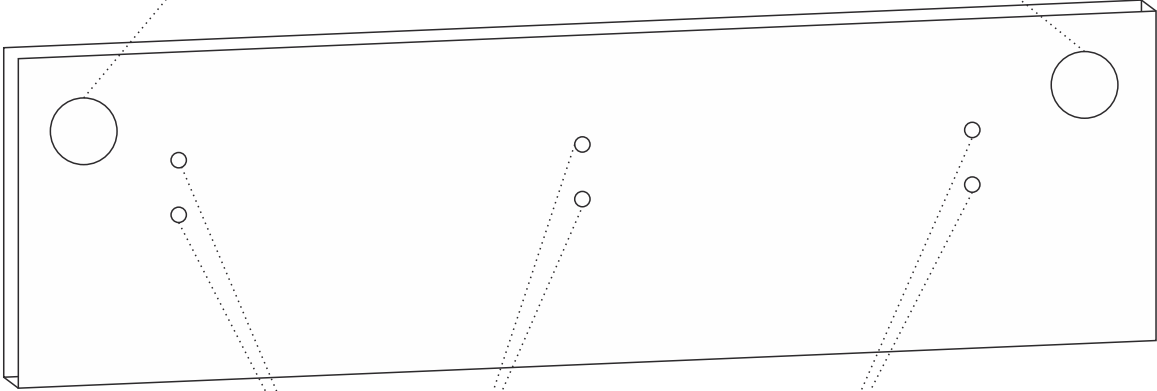
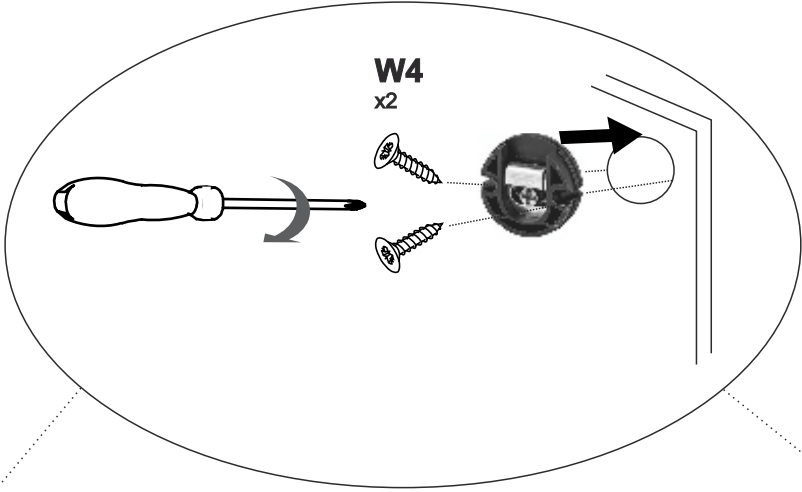
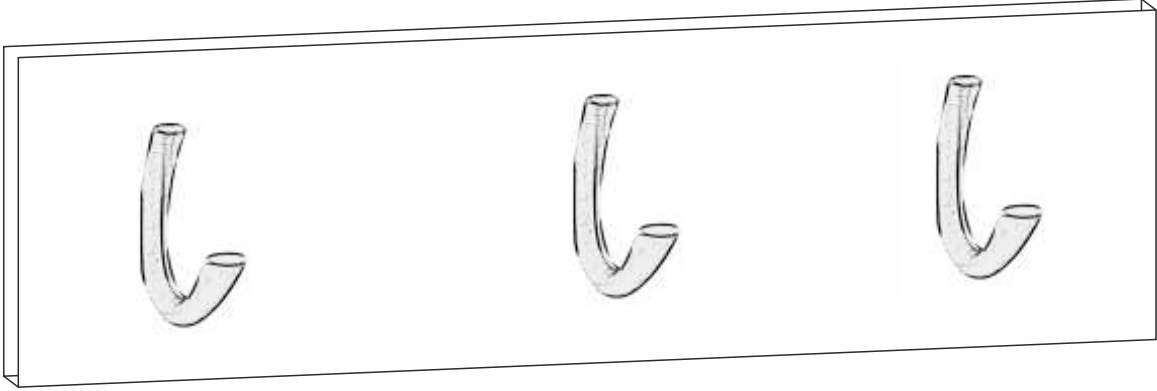


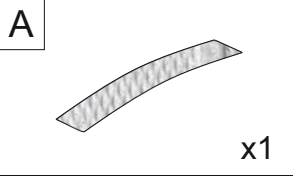
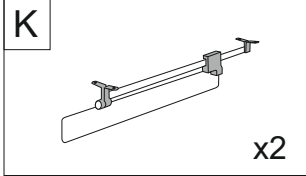
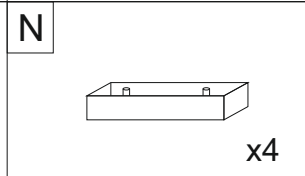
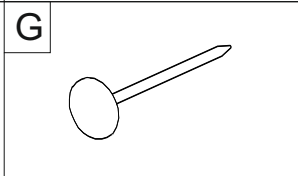
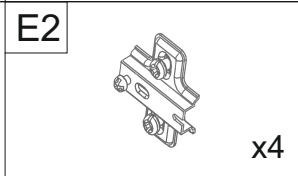
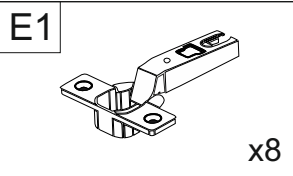
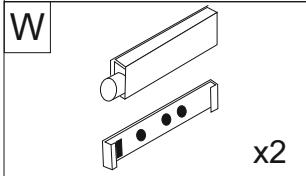
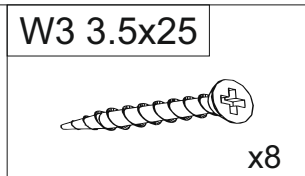
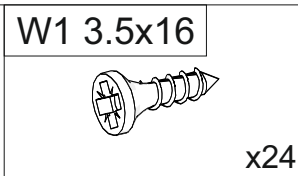
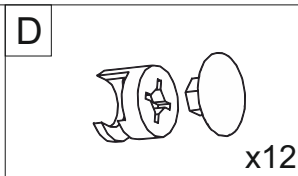
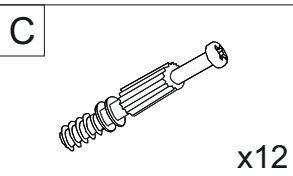
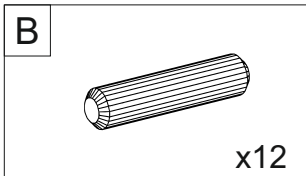
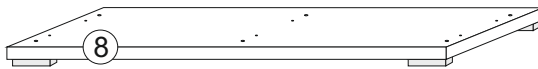
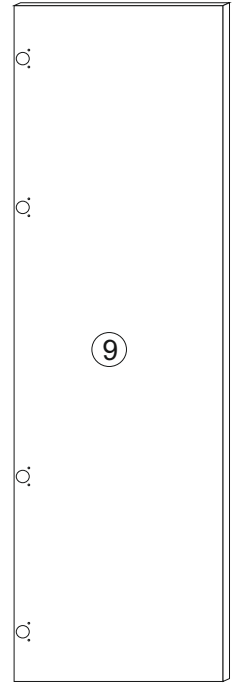
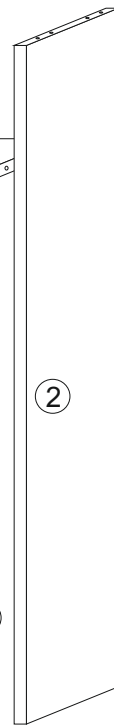
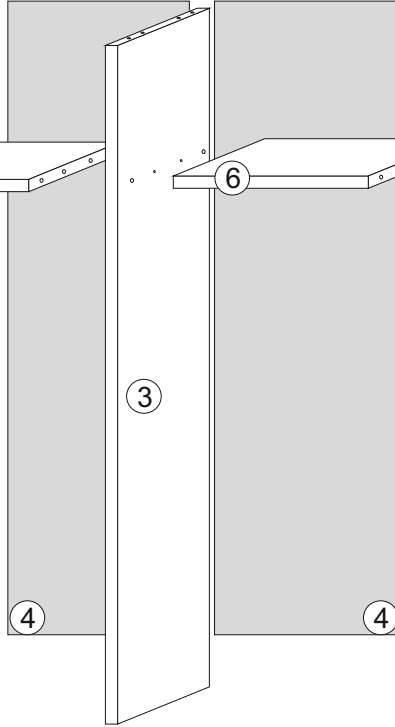
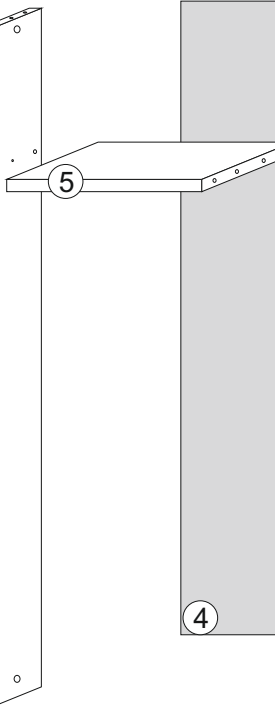
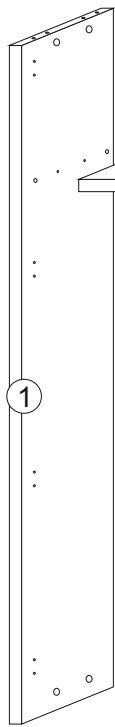
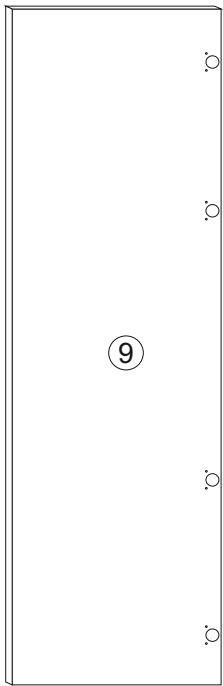
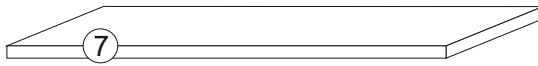
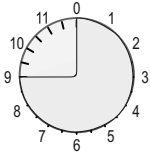
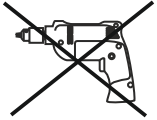
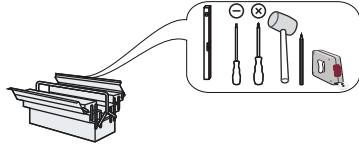
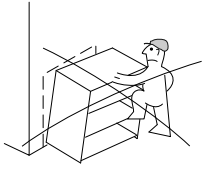
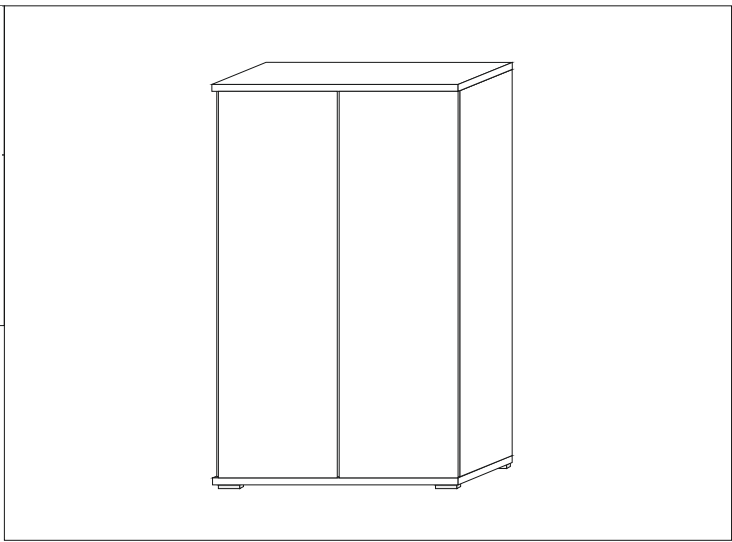
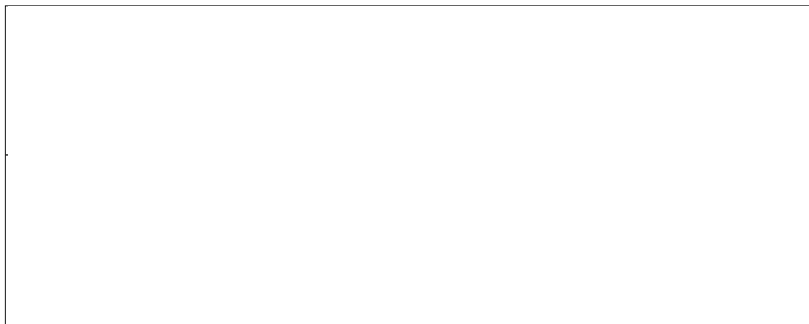




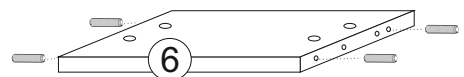
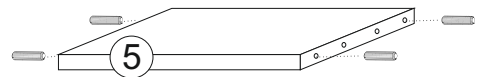
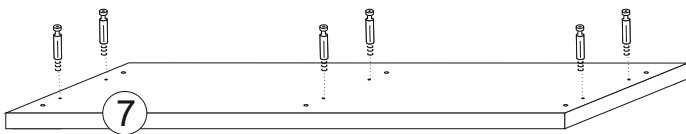
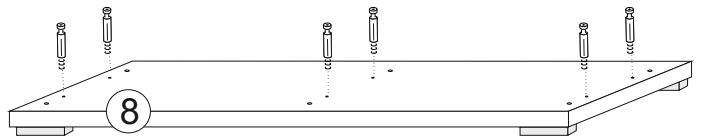
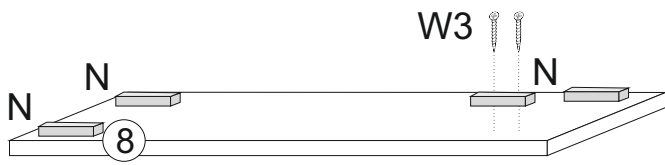
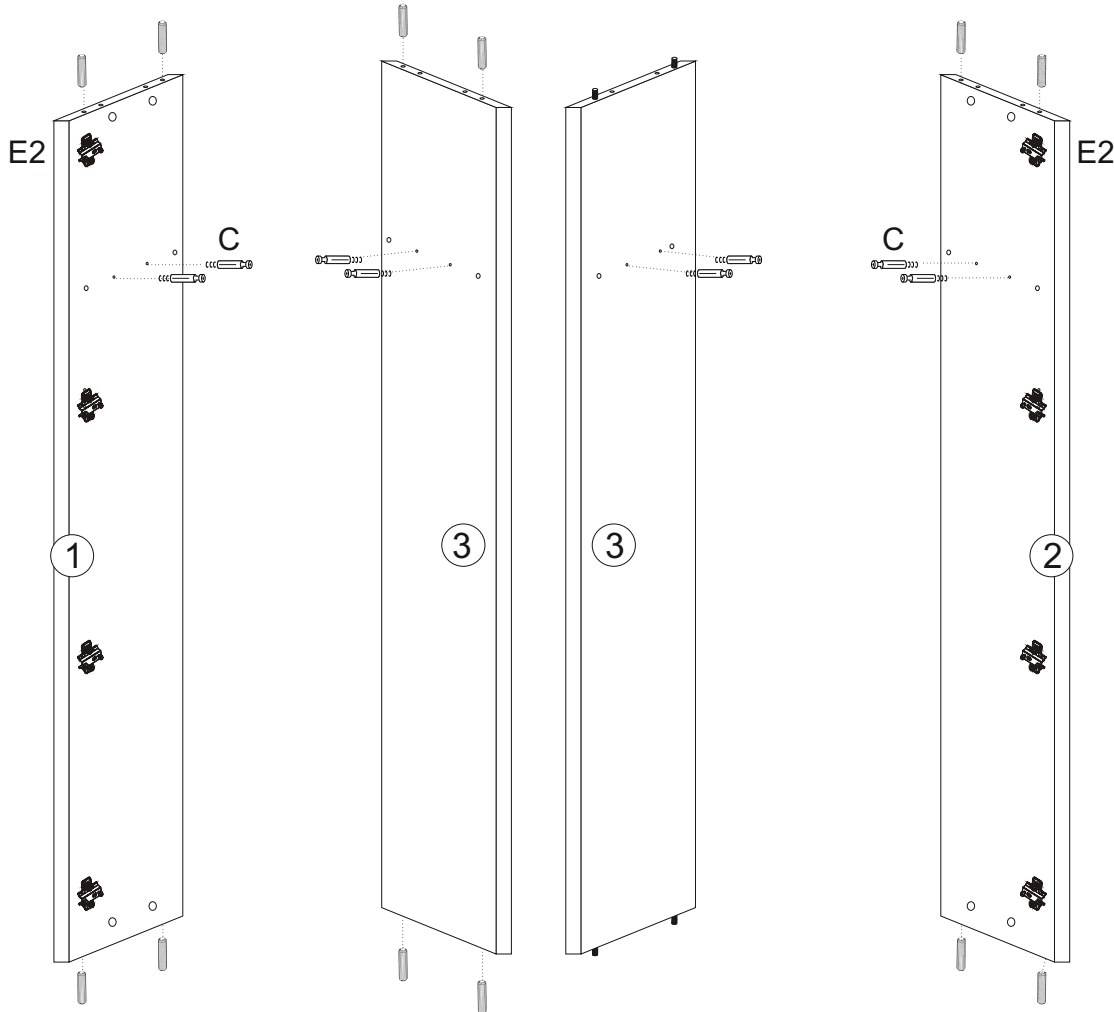
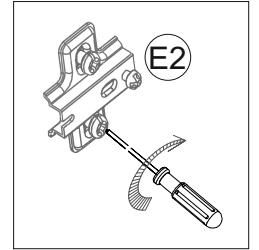
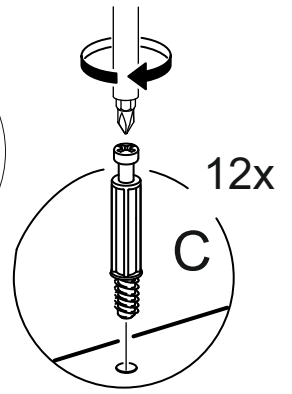
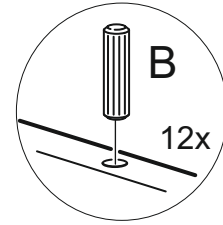
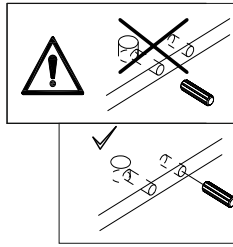
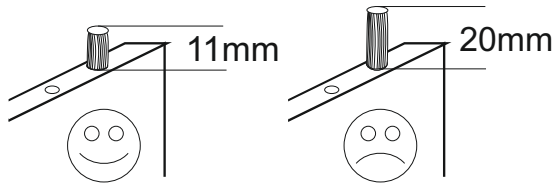


	M4 25mmx4  x6	 x3	 x2	W4 16mmx3,5  x4
---	--	---	---	--

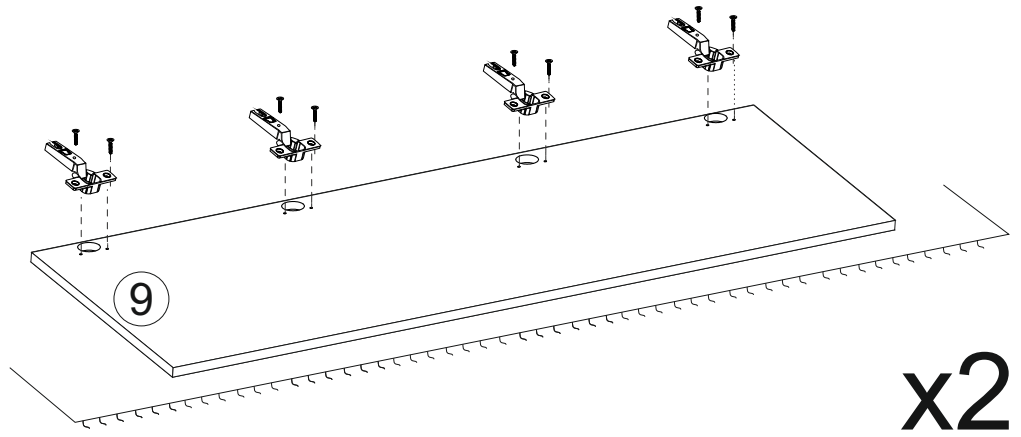
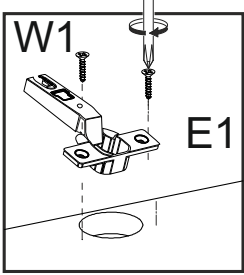




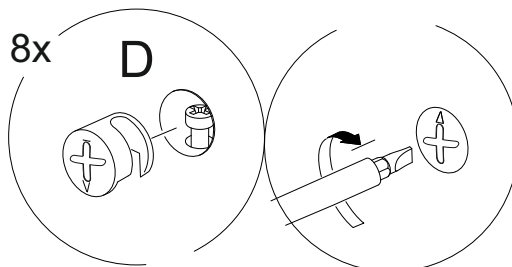
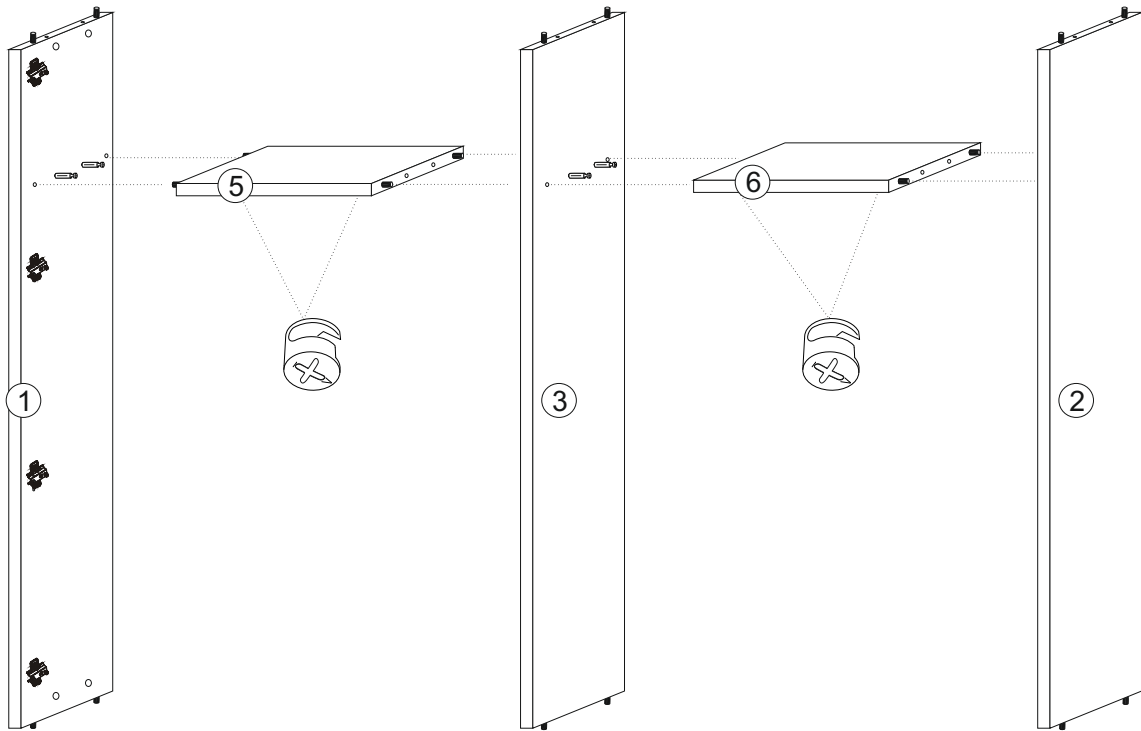
I



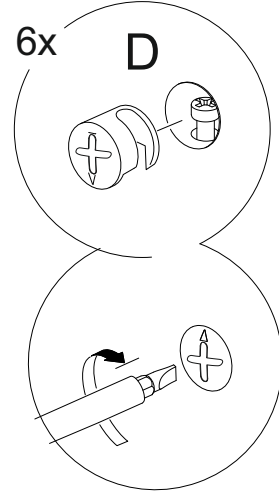
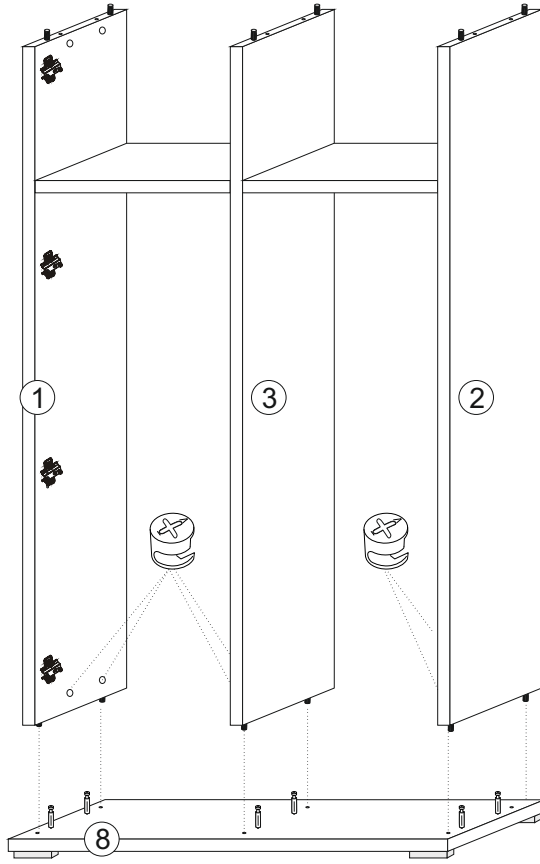
II



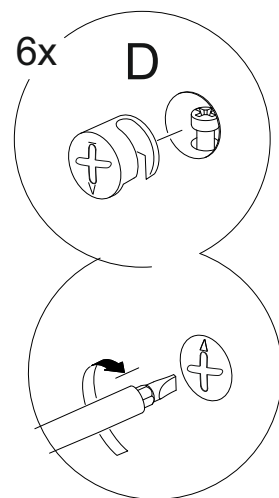
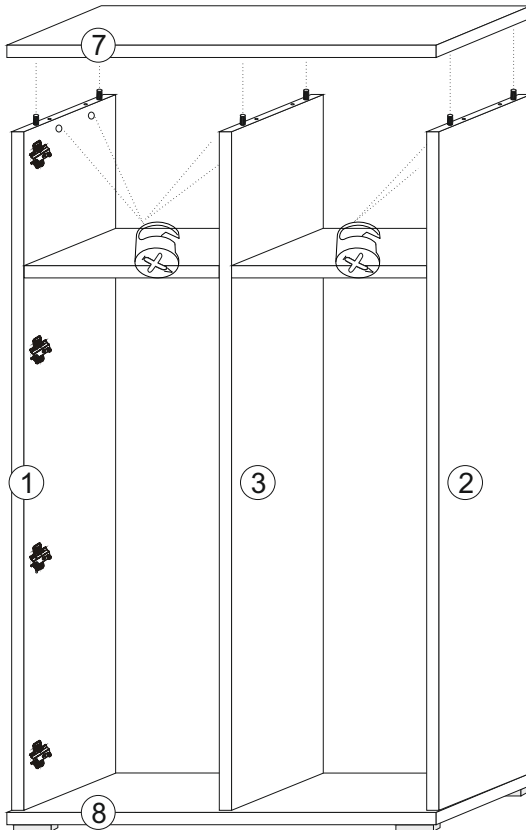
III



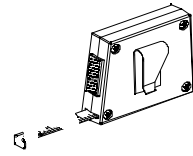
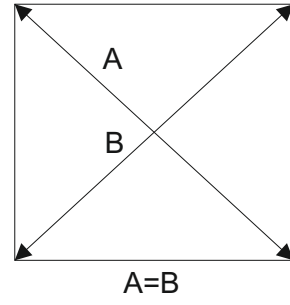
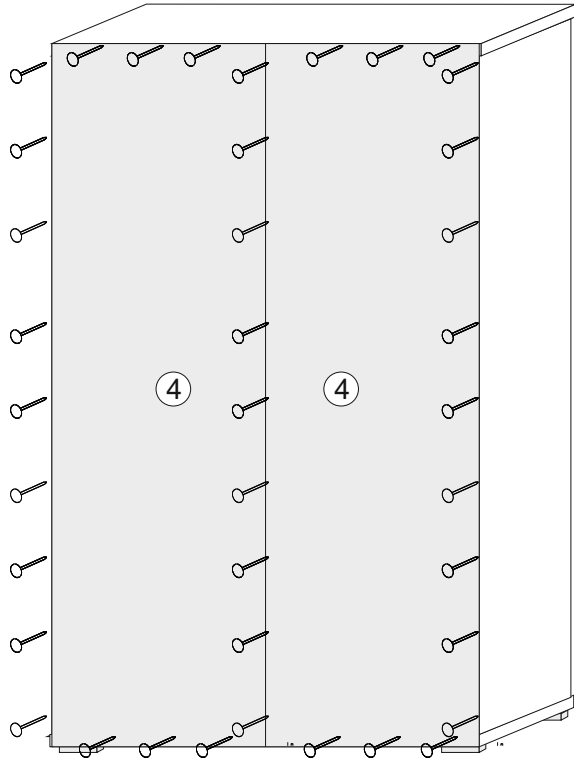
IV



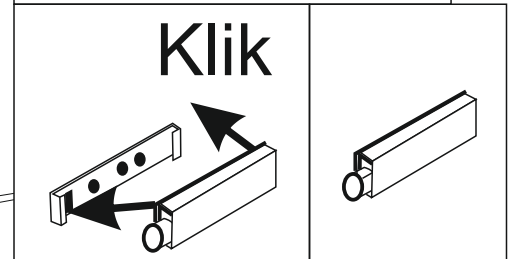
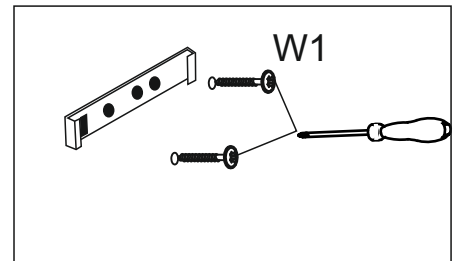
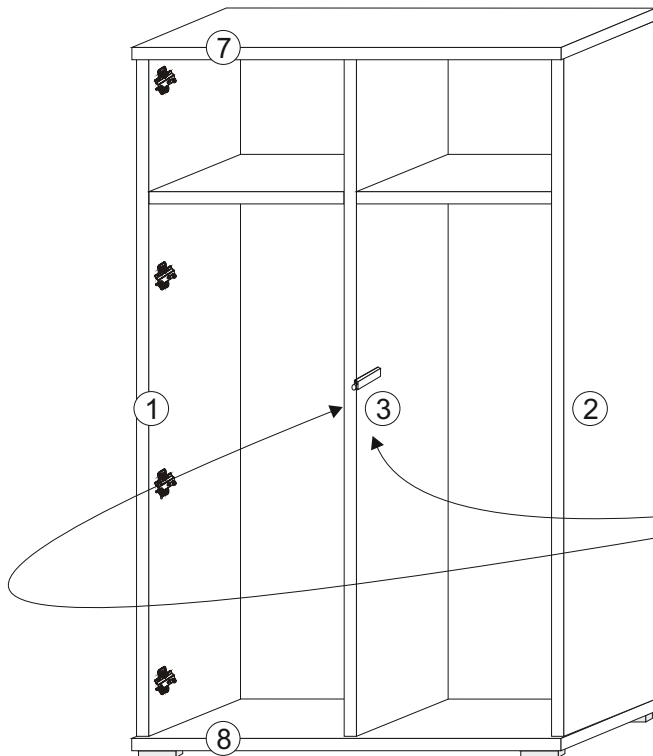
V



VI

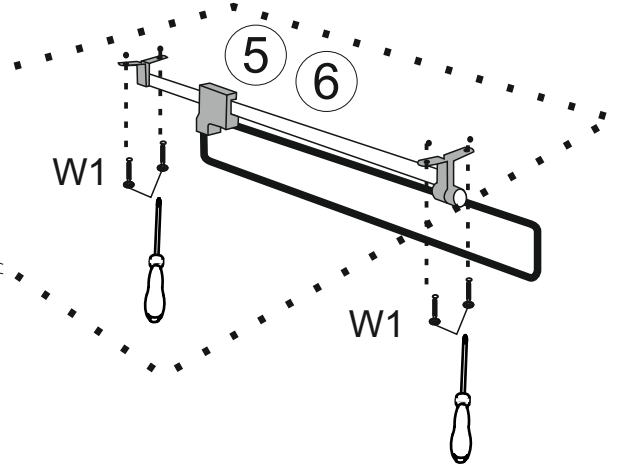
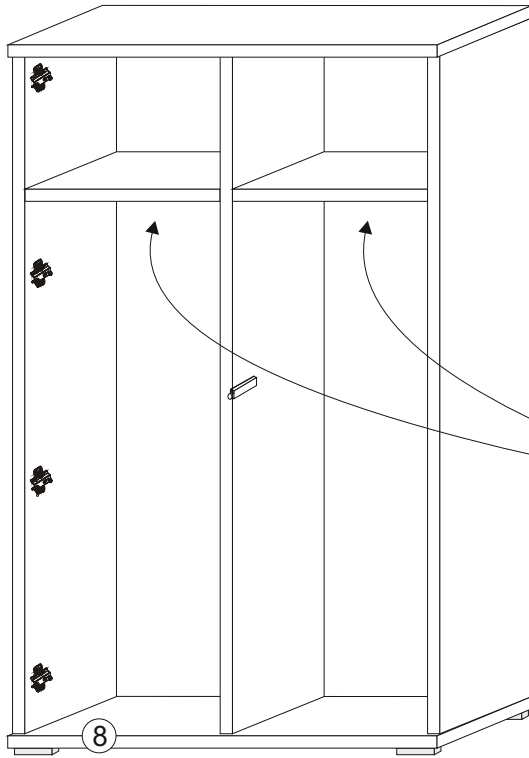


VII

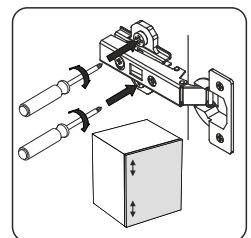
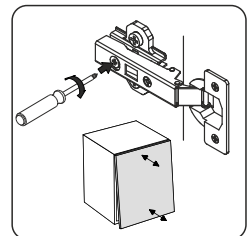
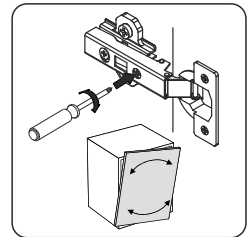
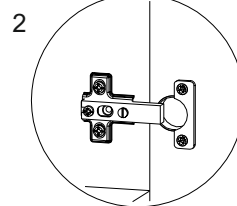
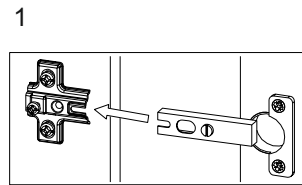
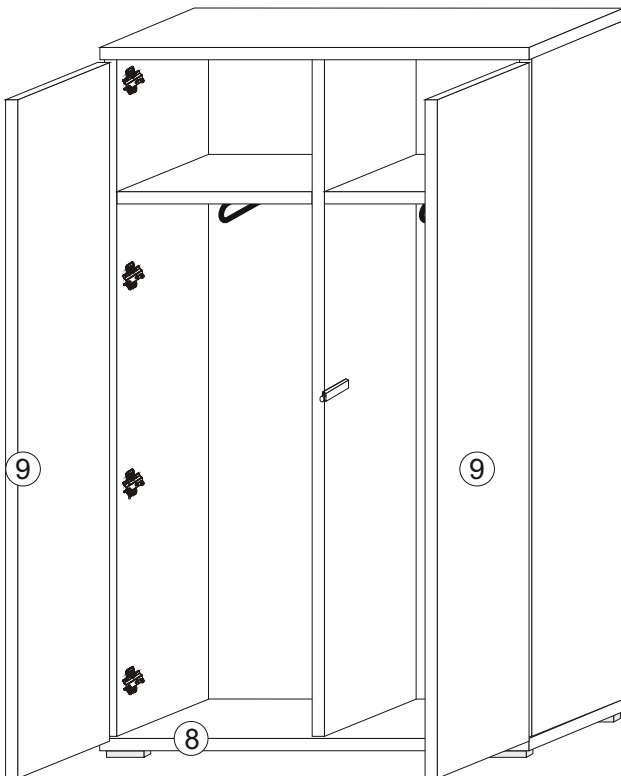


x2

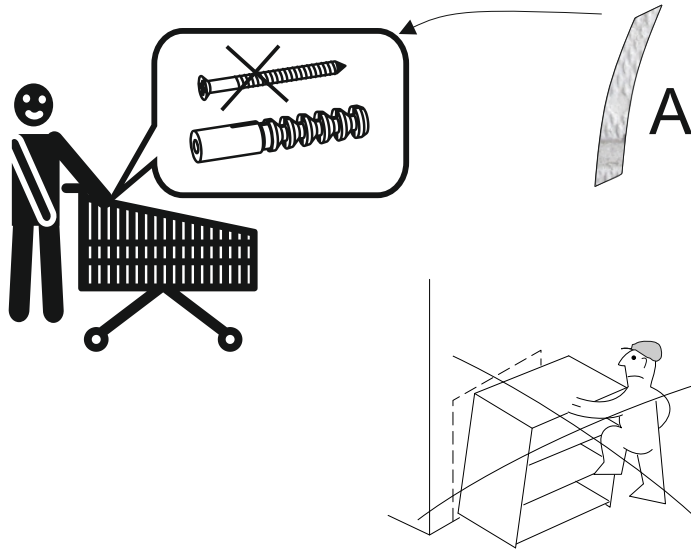
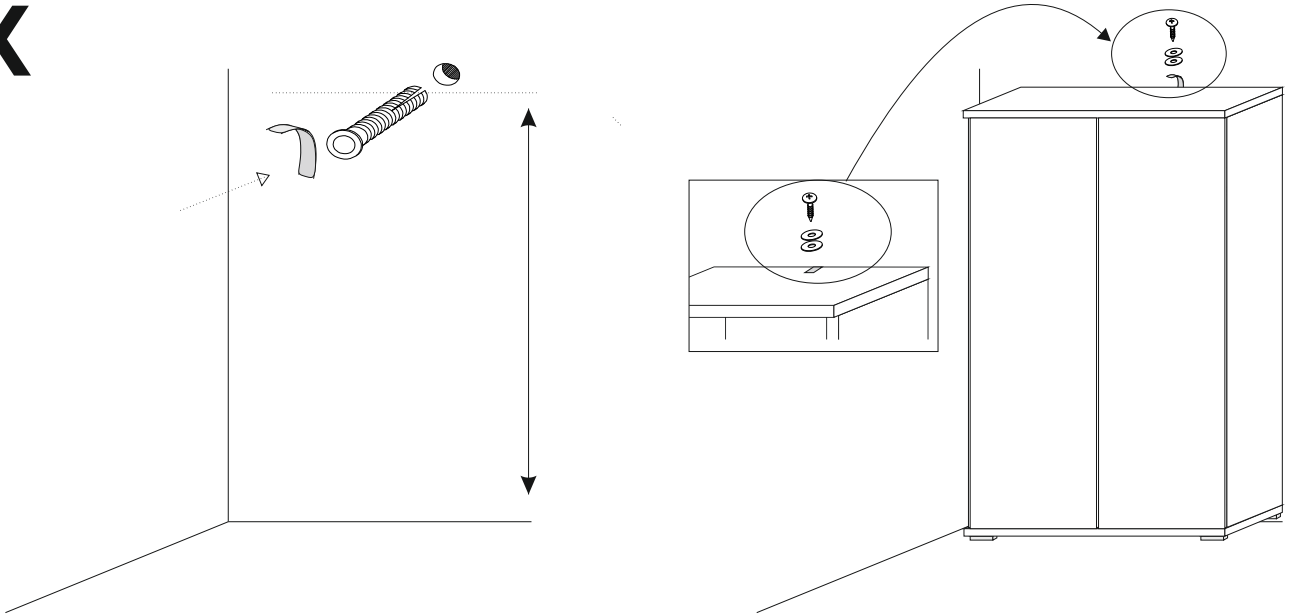
VIII

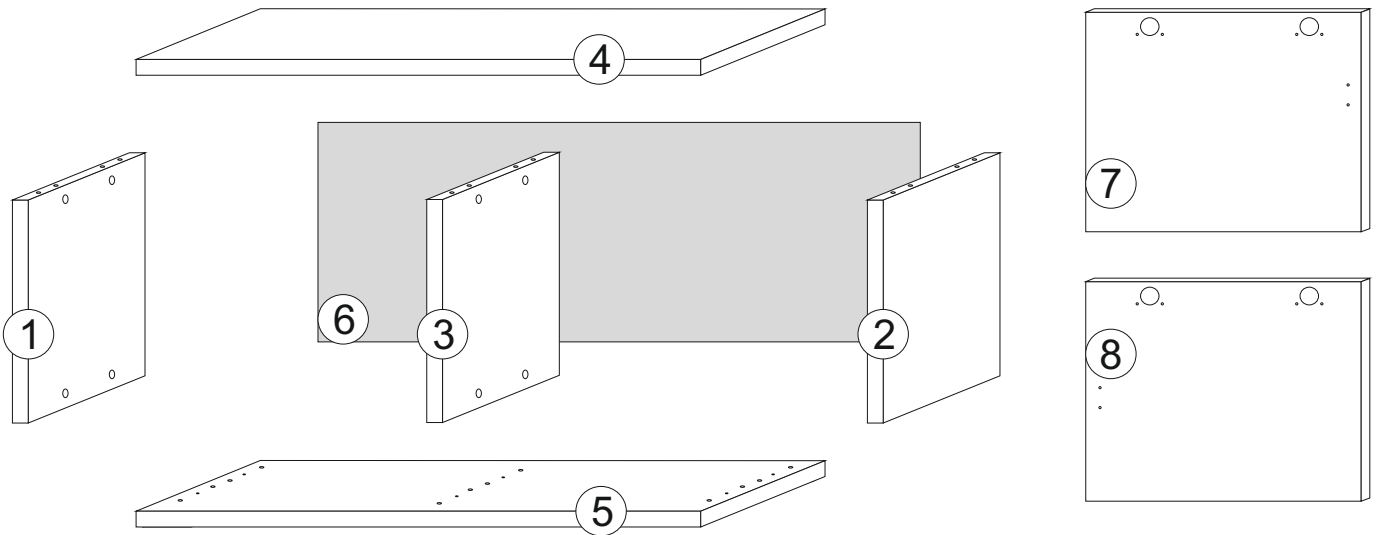
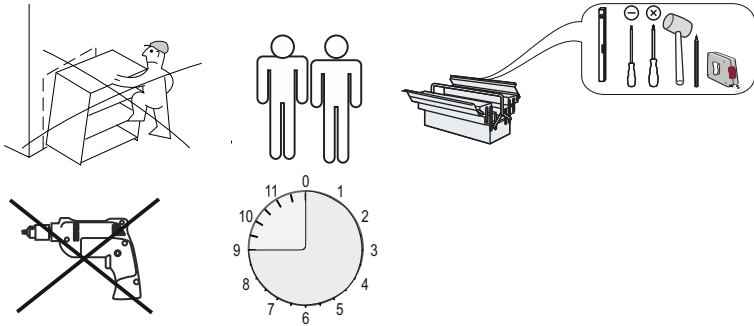
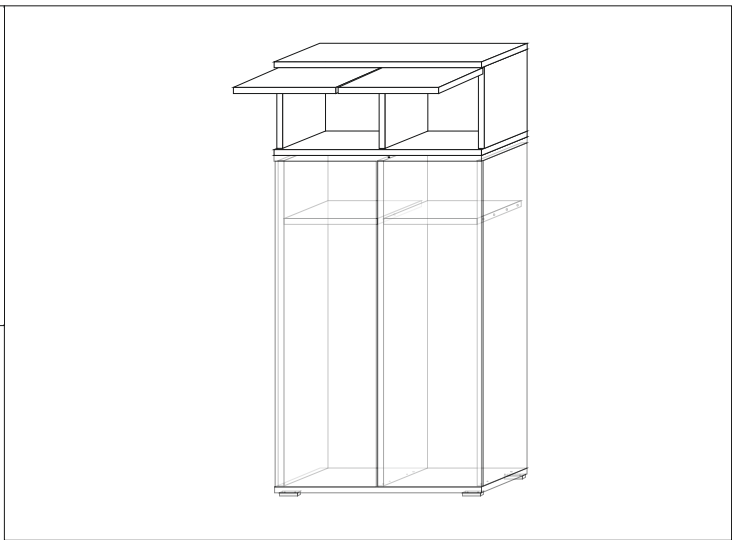
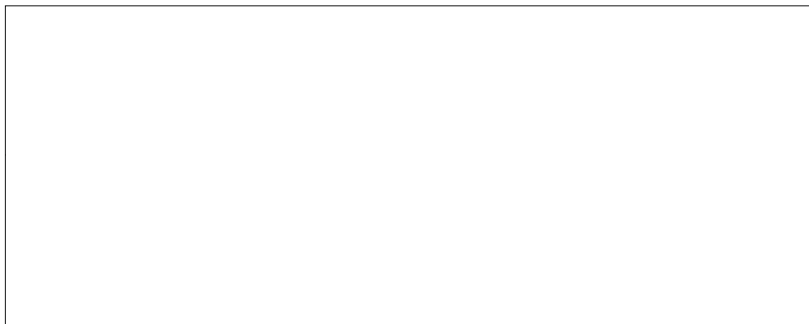


IX



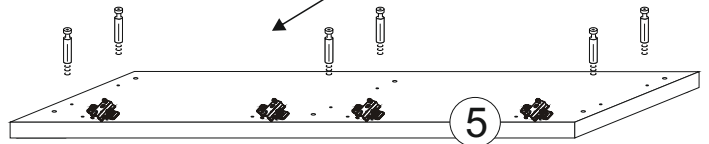
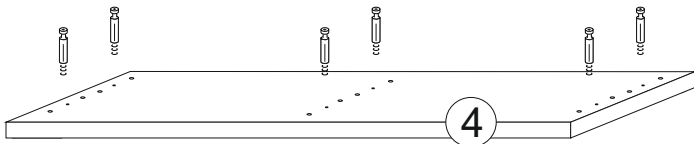
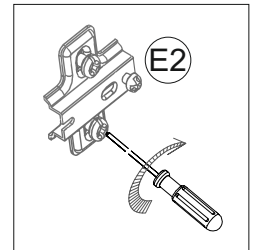
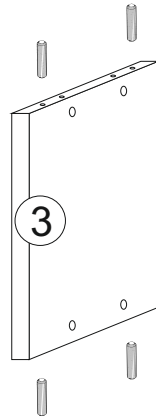
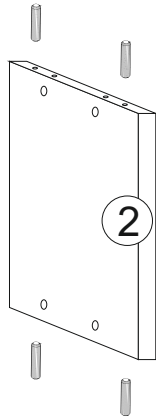
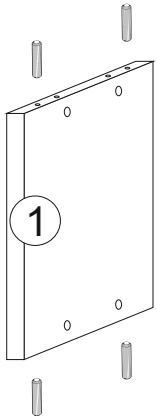
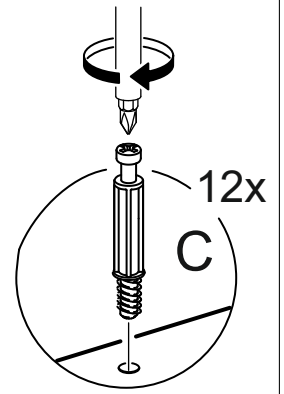
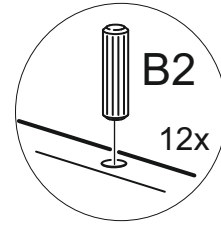
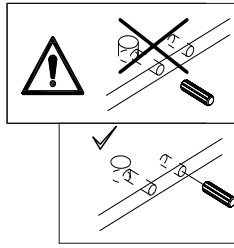
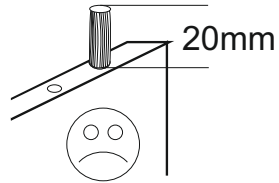
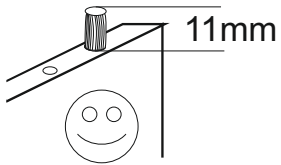
X



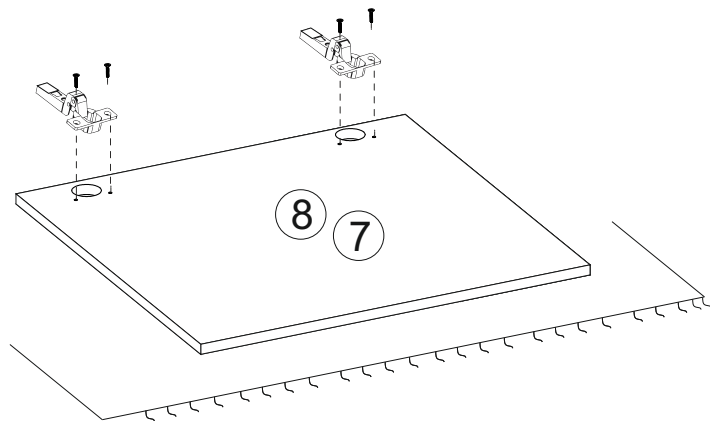
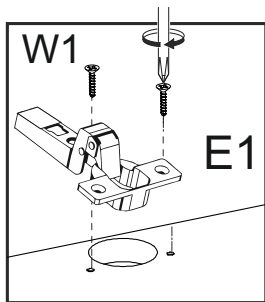


W x2	B1 8x35mm x12	B2 8x30mm x6	C x12	D x12
E1 x4	E2 x4	W1 3,5x16 x22	 x1	H x2
A x1	M. x30			

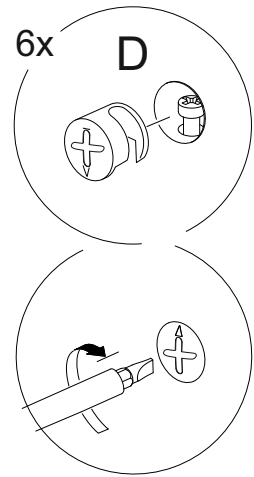
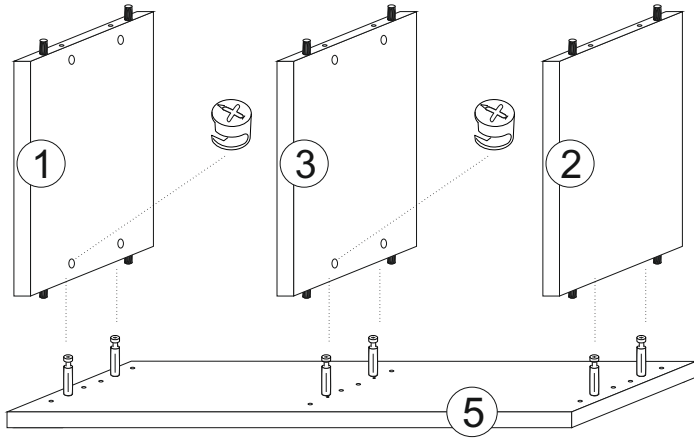
I



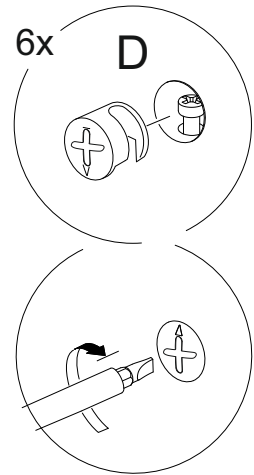
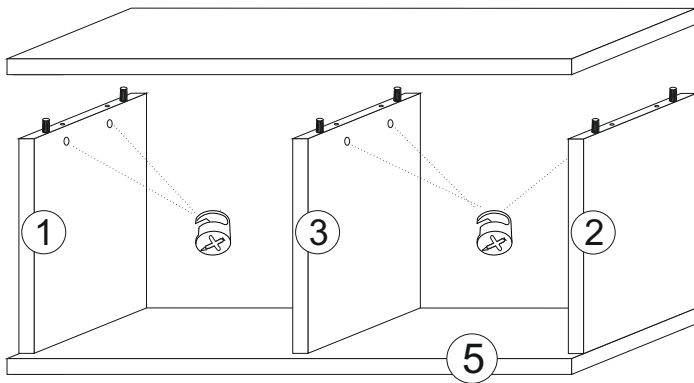
II



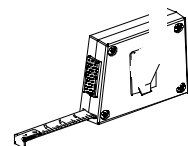
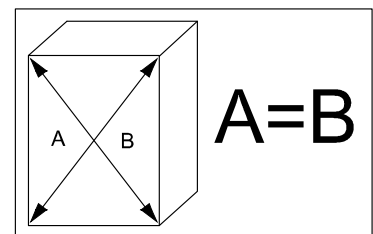
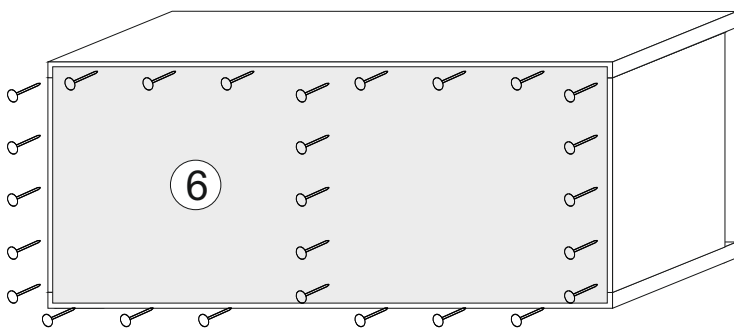
III



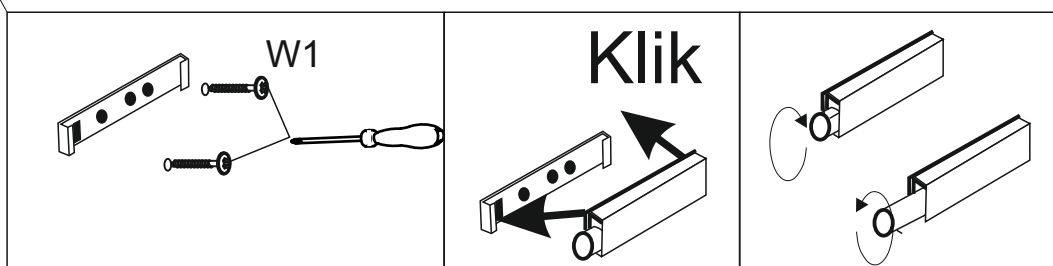
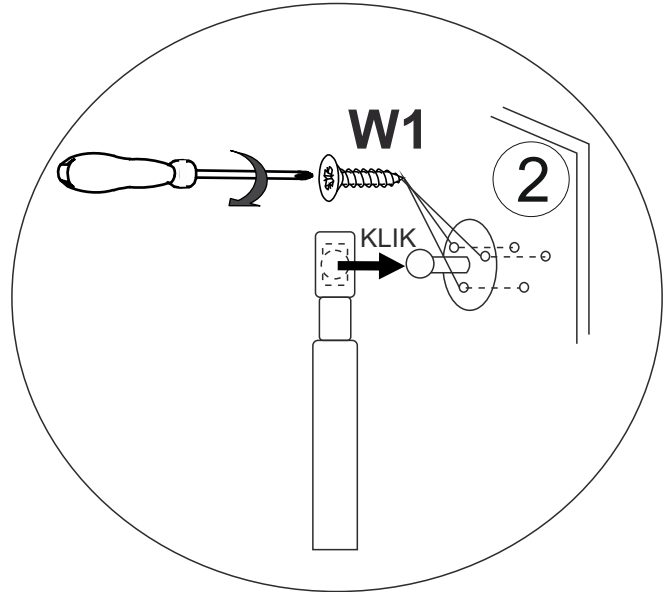
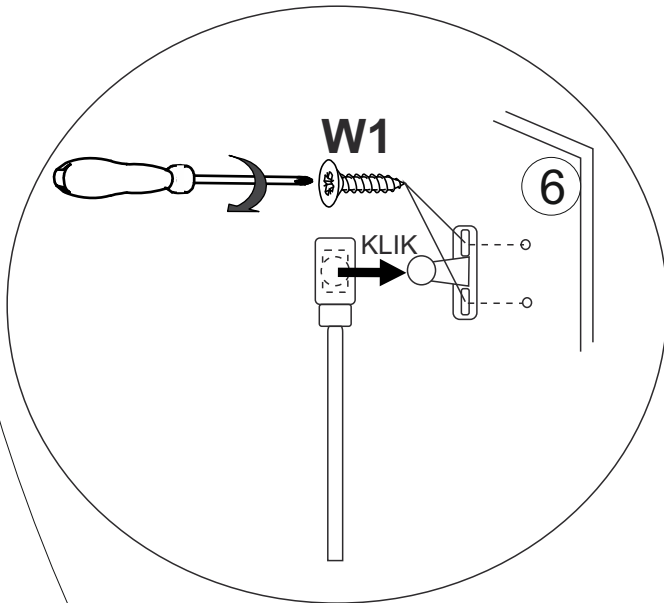
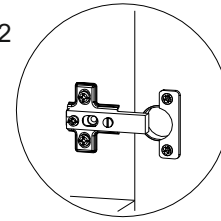
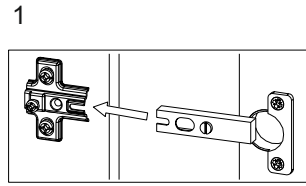
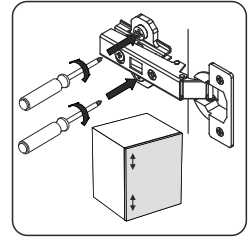
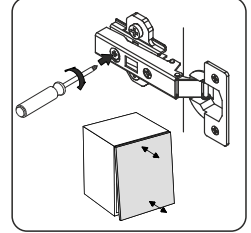
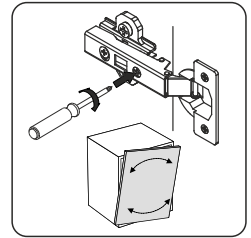
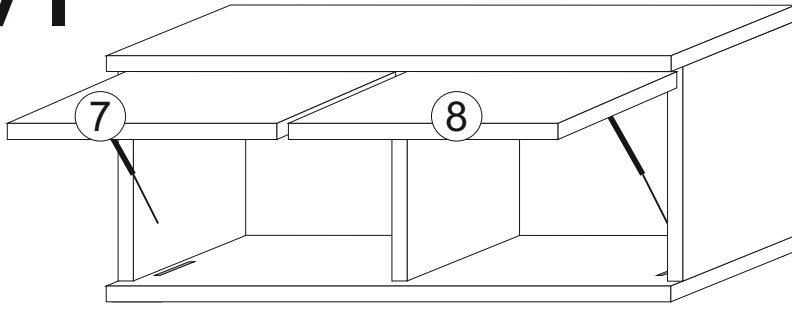
IV



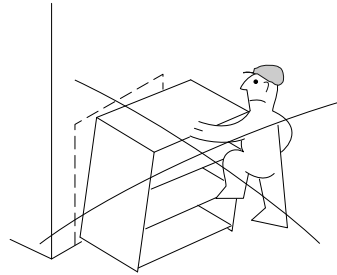
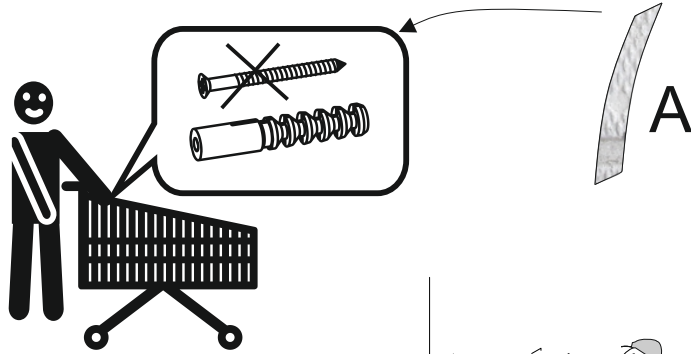
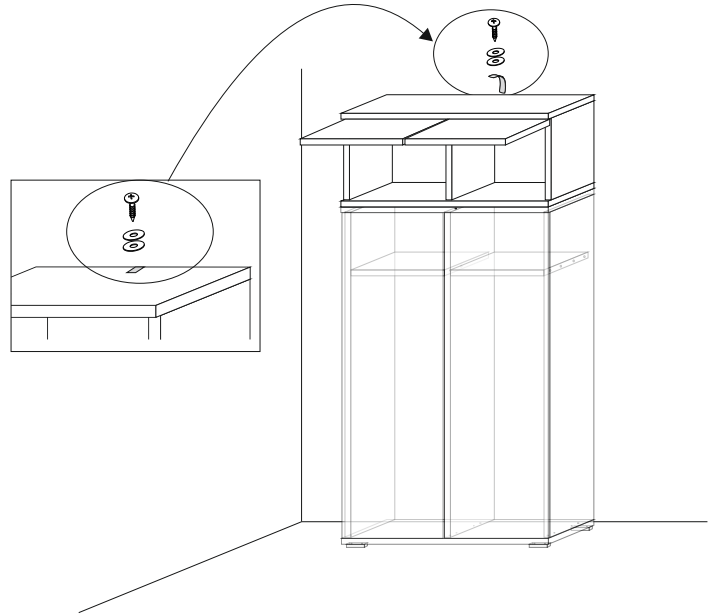
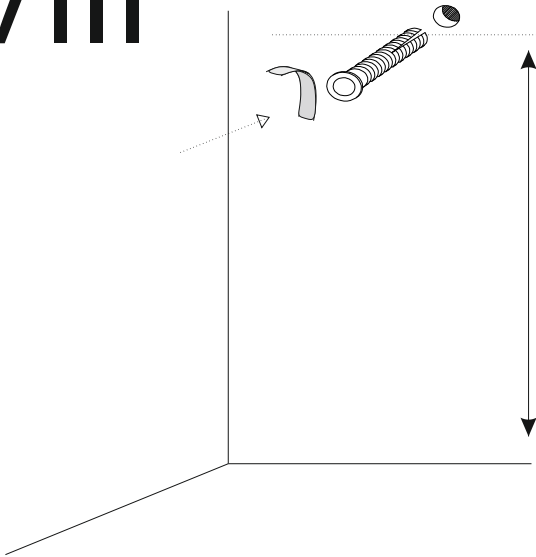
V



VI



VIII



VII

B1



8x30mm

x6

