

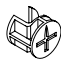



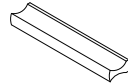

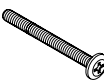


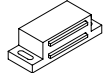
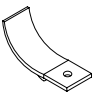


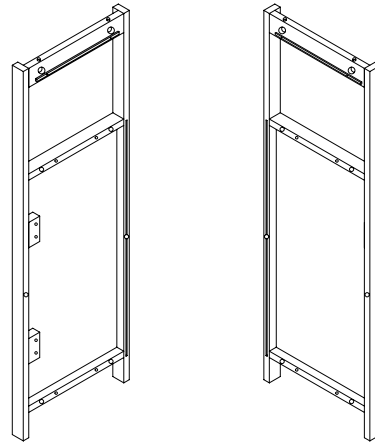
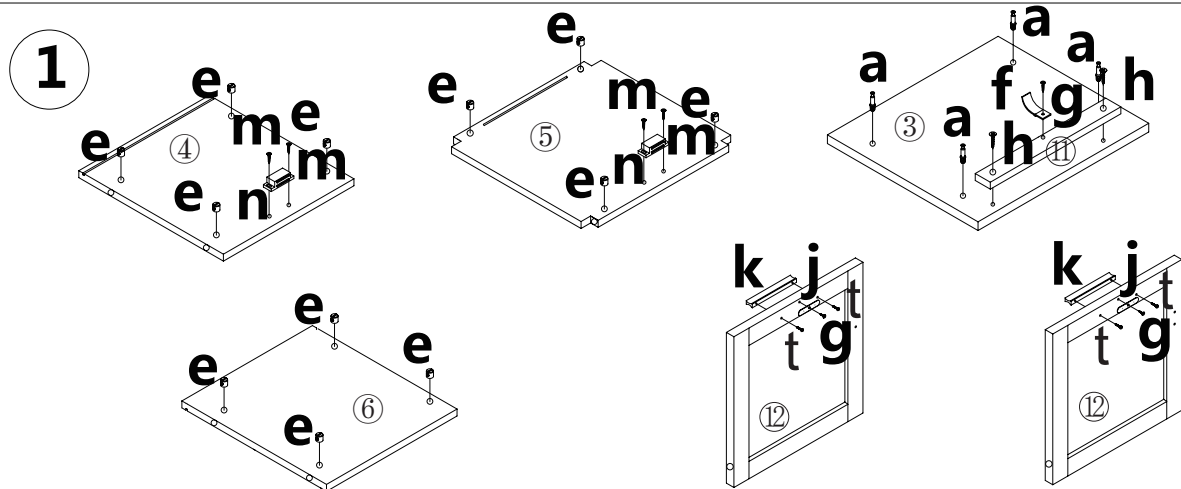
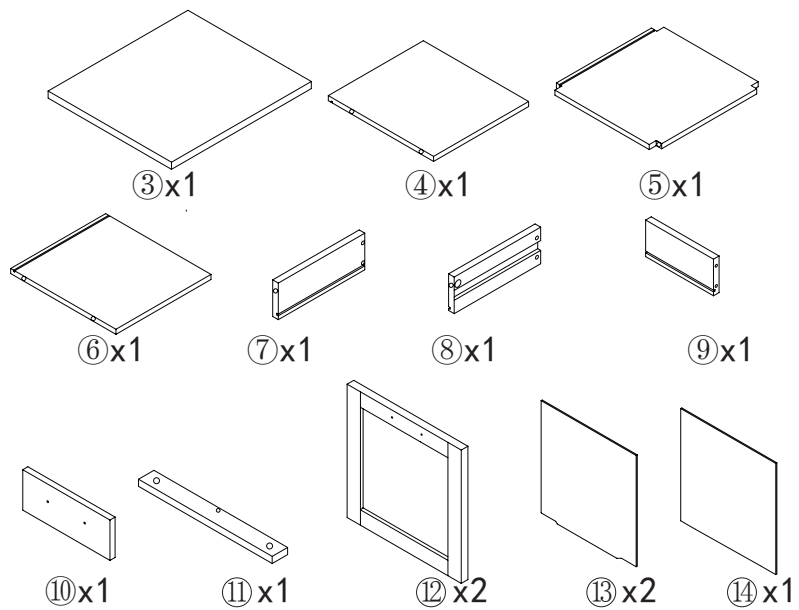
 ax6	 ix4	 qx2
 bx6	 jx2	 rx4
 tx6	 kx3	 sx4
 dx12	 mx4	
 ex12	 nx2	
 fx1	 ox10	
 gx11		

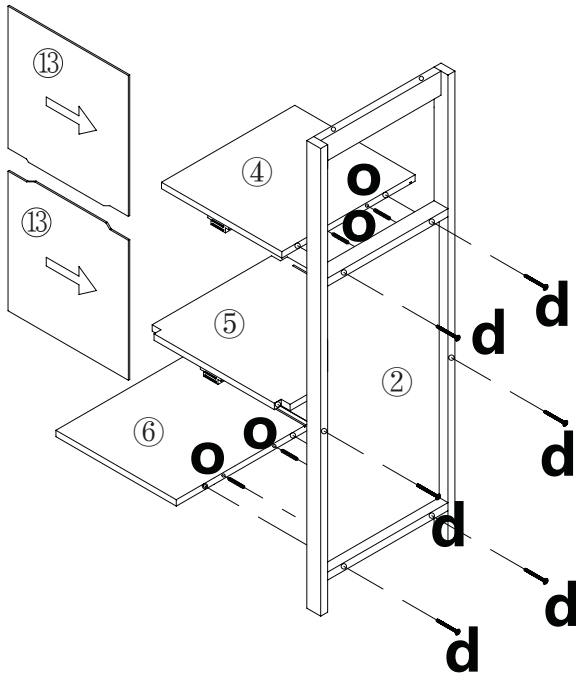


①x1

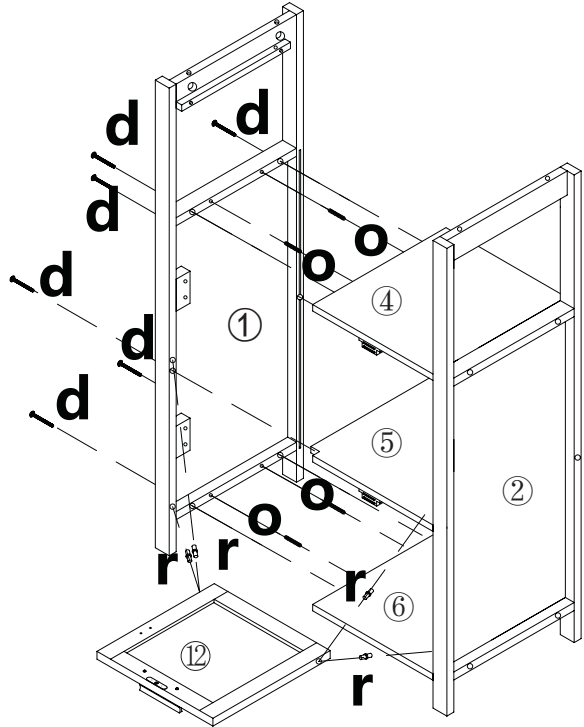
②x1



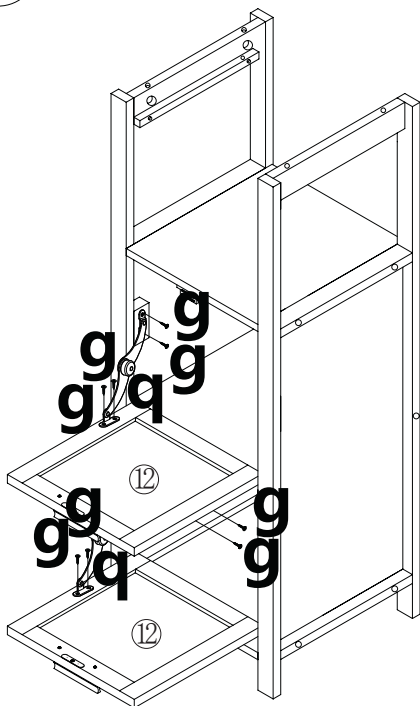
2



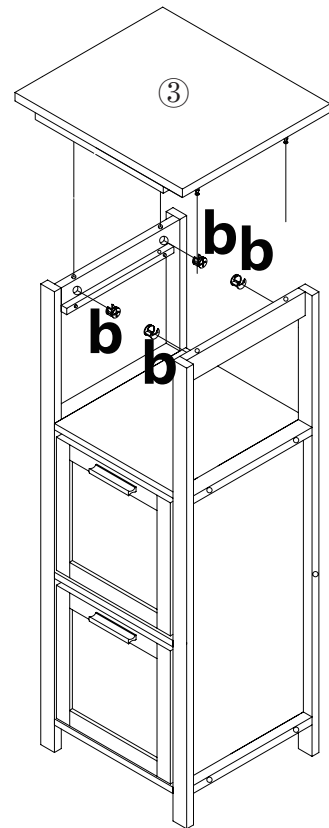
3



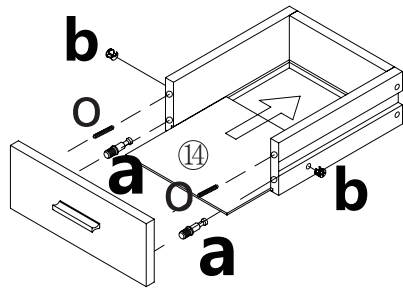
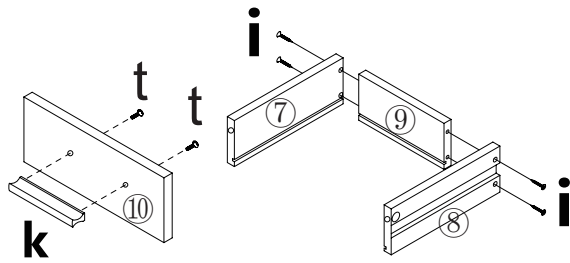
4



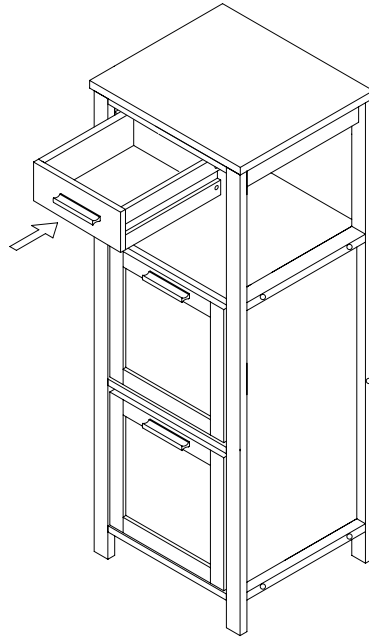
5



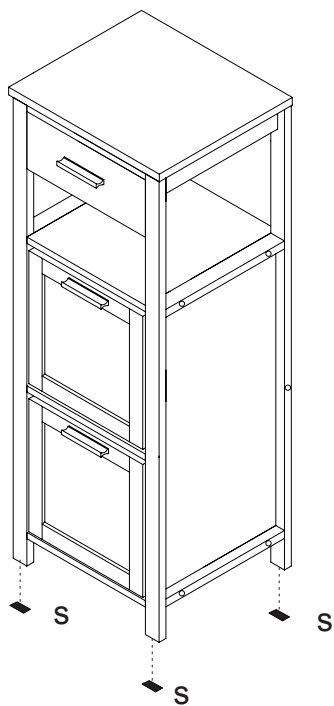
6



7



8



9

