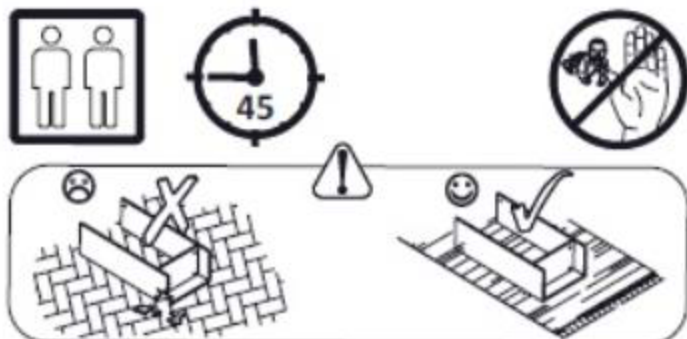
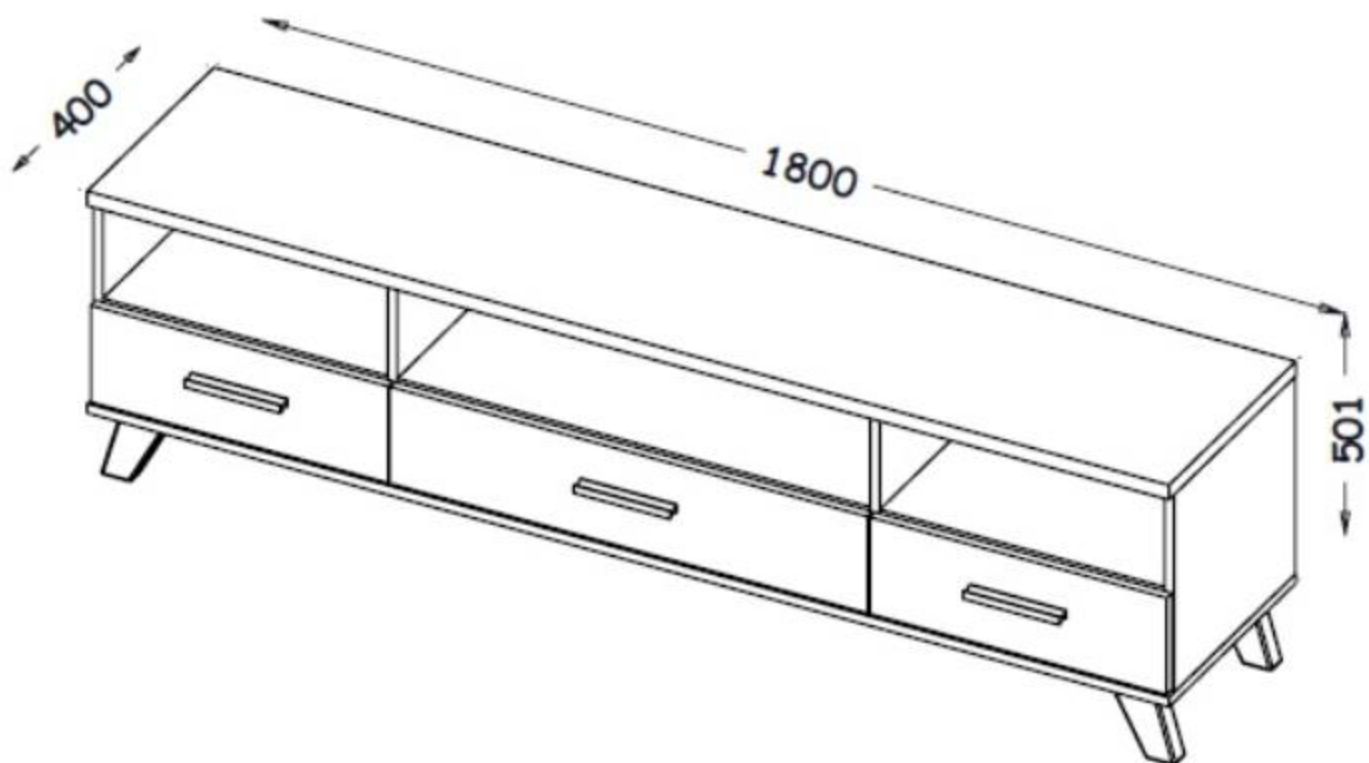
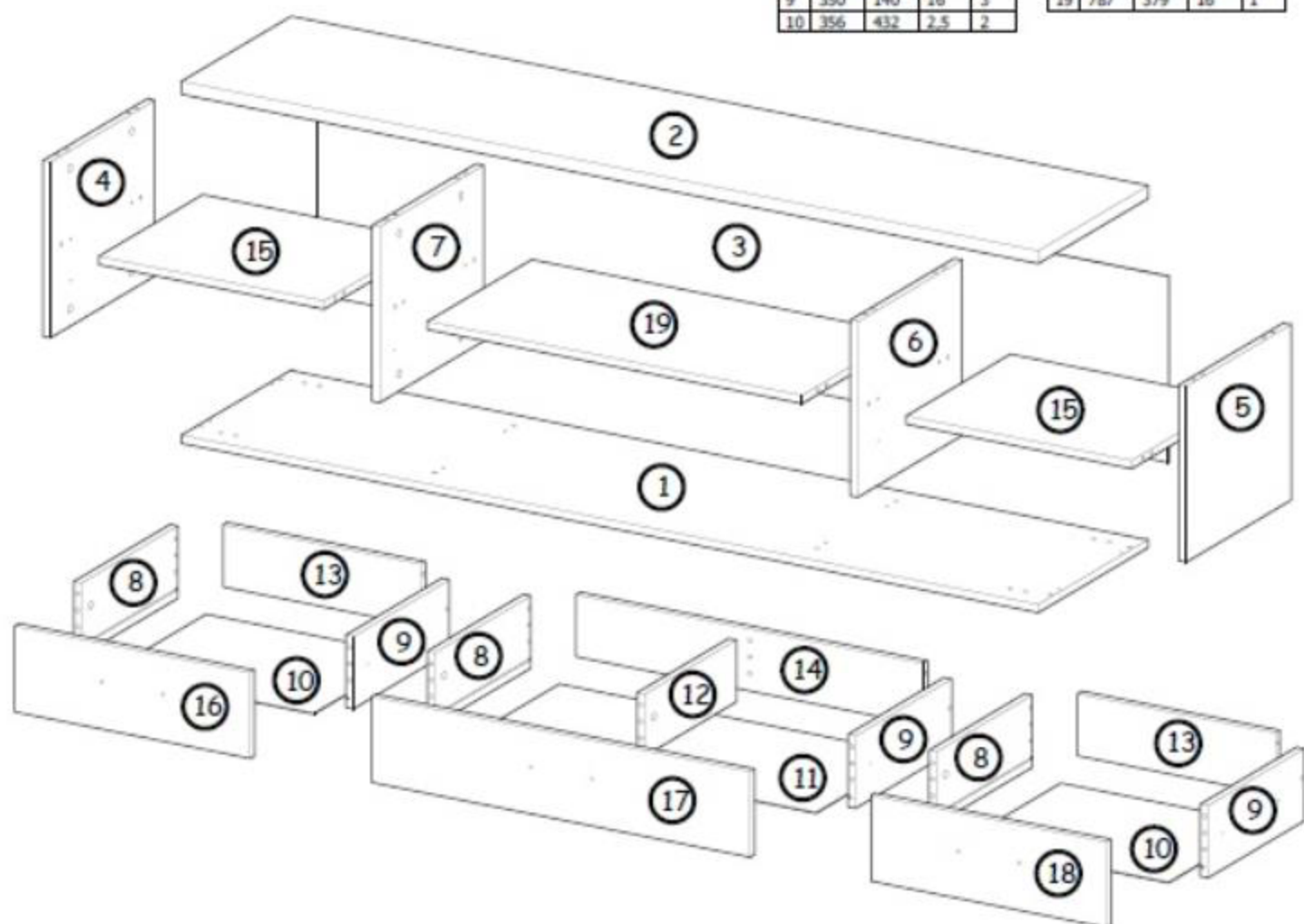


10  
9  
8  
7  
6  
5  
4  
3  
2  
1  
0

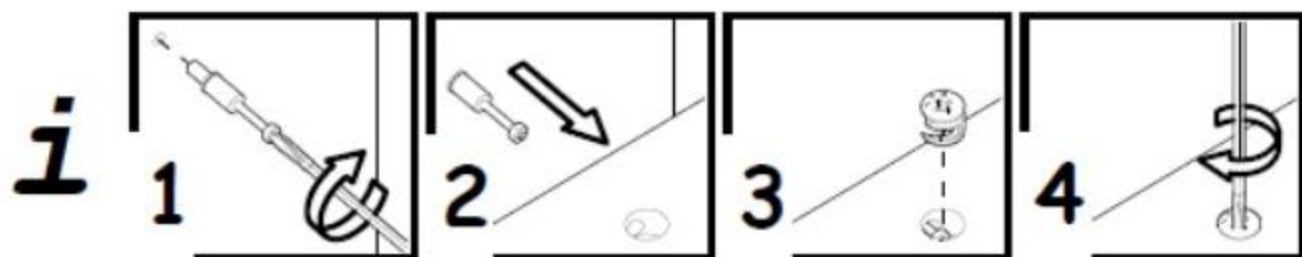


| Nr | Xmm  | Ymm | Zmm | Szt. |
|----|------|-----|-----|------|
| 1  | 1800 | 400 | 16  | 1    |
| 2  | 1800 | 400 | 25  | 1    |
| 3  | 1788 | 360 | 2,5 | 1    |
| 4  | 340  | 382 | 16  | 1    |
| 5  | 340  | 382 | 16  | 1    |
| 6  | 340  | 379 | 16  | 1    |
| 7  | 340  | 379 | 16  | 1    |
| 8  | 350  | 140 | 16  | 3    |
| 9  | 350  | 140 | 16  | 3    |
| 10 | 356  | 432 | 2,5 | 2    |

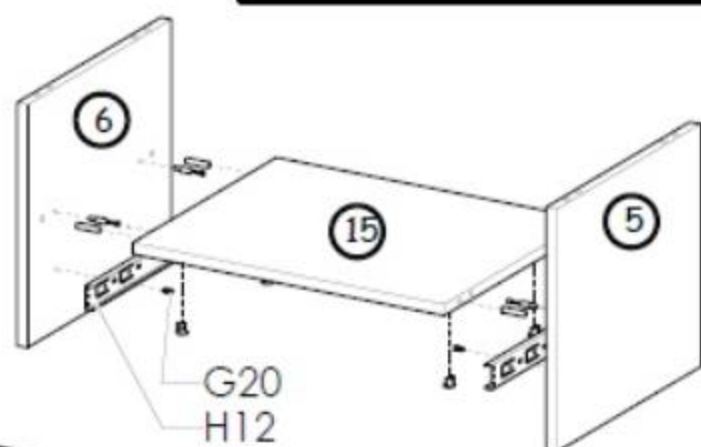
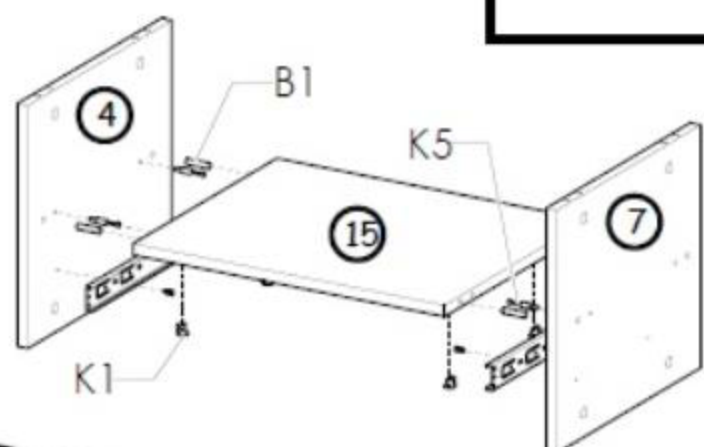
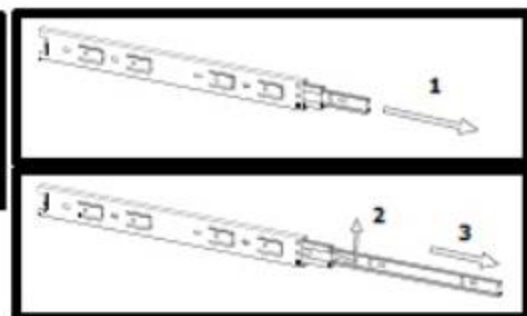
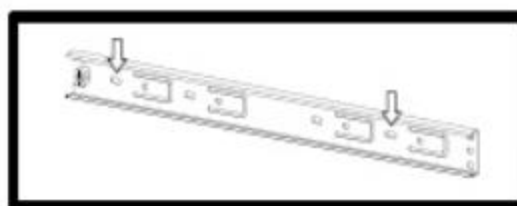
| Nr | Xmm | Ymm | Zmm | Szt. |
|----|-----|-----|-----|------|
| 11 | 356 | 745 | 2,5 | 1    |
| 12 | 120 | 334 | 16  | 1    |
| 13 | 416 | 120 | 16  | 2    |
| 14 | 729 | 120 | 16  | 1    |
| 15 | 474 | 379 | 16  | 2    |
| 16 | 495 | 166 | 16  | 1    |
| 17 | 795 | 166 | 16  | 1    |
| 18 | 495 | 166 | 16  | 1    |
| 19 | 787 | 379 | 16  | 1    |



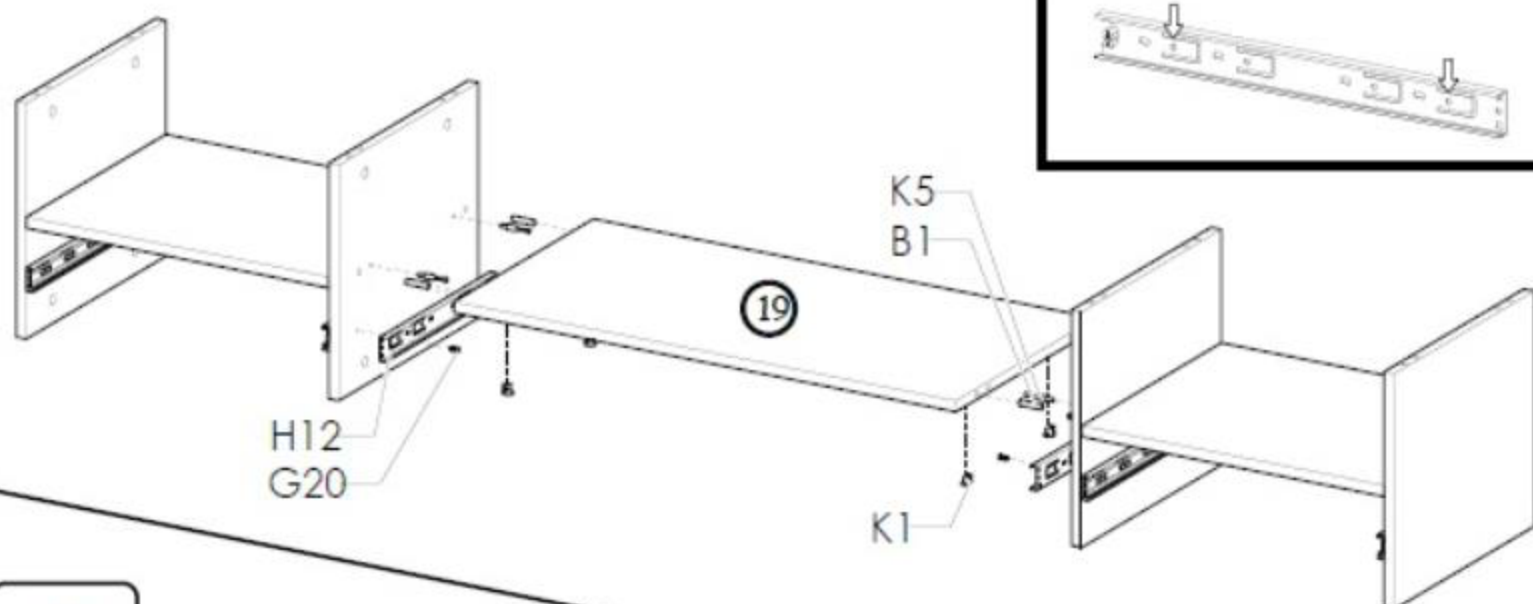
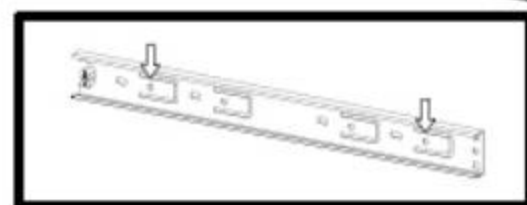
|                                |                              |                                 |                               |                               |                                |
|--------------------------------|------------------------------|---------------------------------|-------------------------------|-------------------------------|--------------------------------|
| <b>K1</b><br>35x<br>ø15x12<br> | <b>K5</b><br>35x<br>34mm<br> | <b>I20</b><br>15x<br>ø4/ø17<br> | <b>B1</b><br>56x<br>ø8x35<br> | <b>H12</b><br>6x<br>300mm<br> | <b>G20</b><br>24x<br>ø5x13<br> |
| <b>A1</b><br>17x<br>ø7x50<br>  | <b>W4</b><br>98x<br>         | <b>P29</b><br>4x<br>H150m<br>   | <b>P28</b><br>1x<br>H150m<br> | <b>E43</b><br>3x<br>160mm<br> | <b>N15</b><br>6x<br>M4x25<br>  |
| <b>W2</b><br>1x<br>4mm<br>     |                              |                                 |                               |                               |                                |



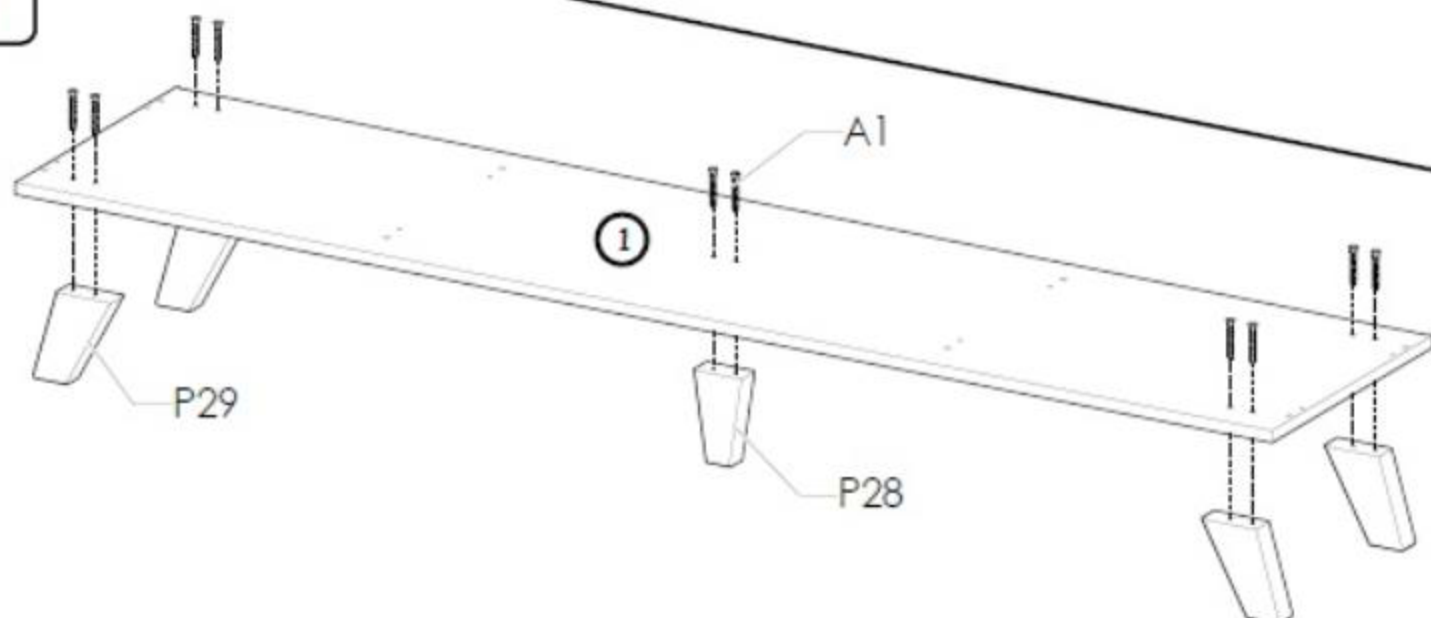
I



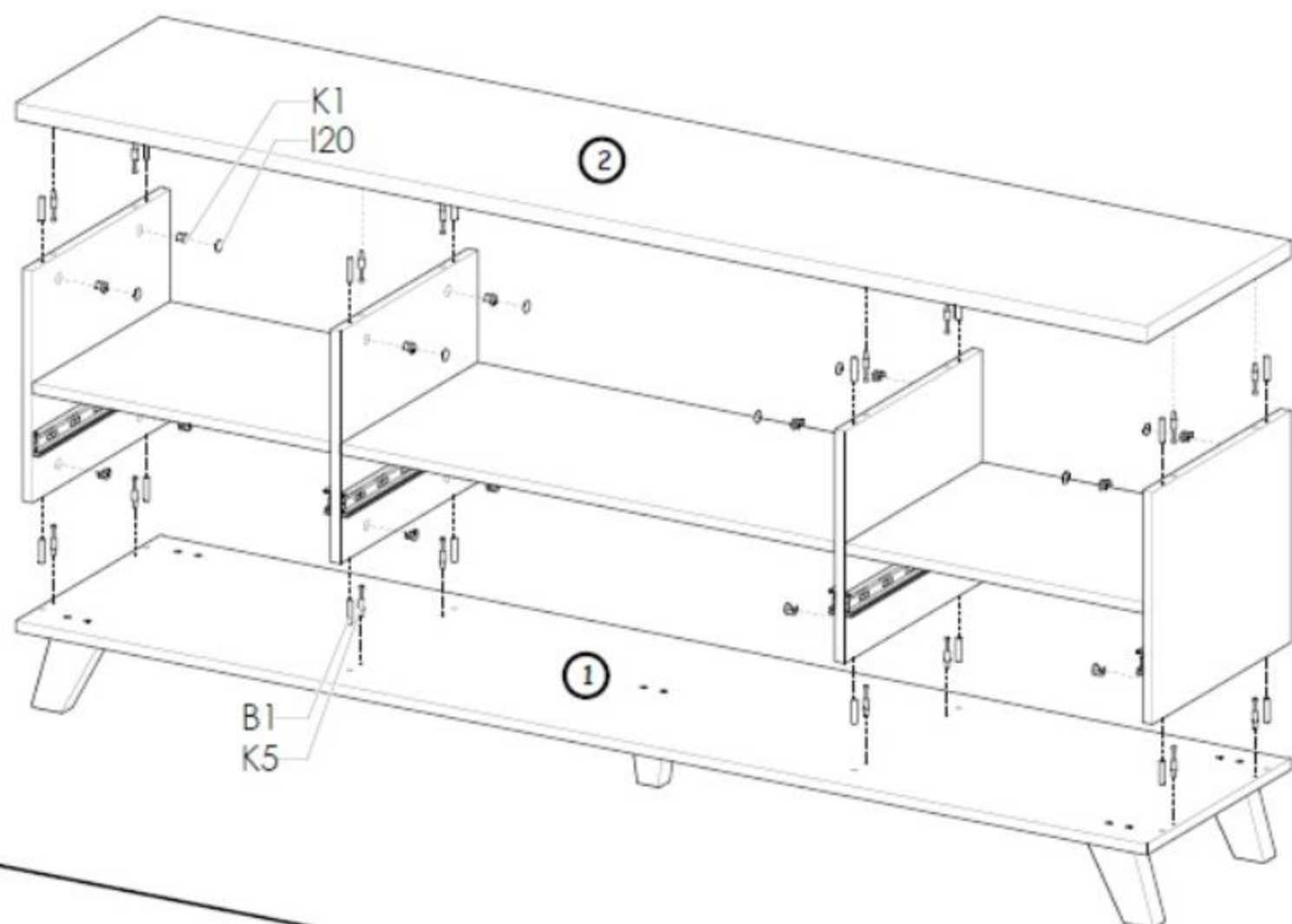
II



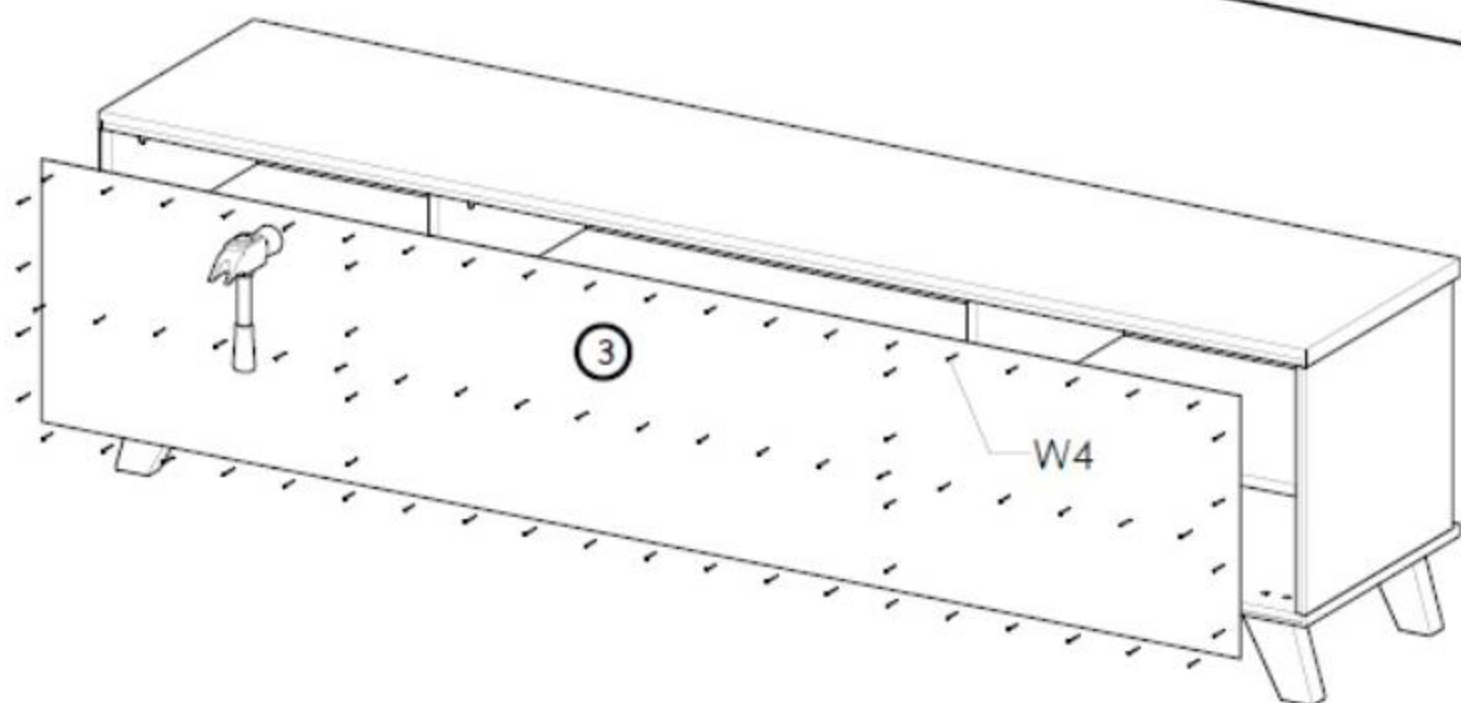
III



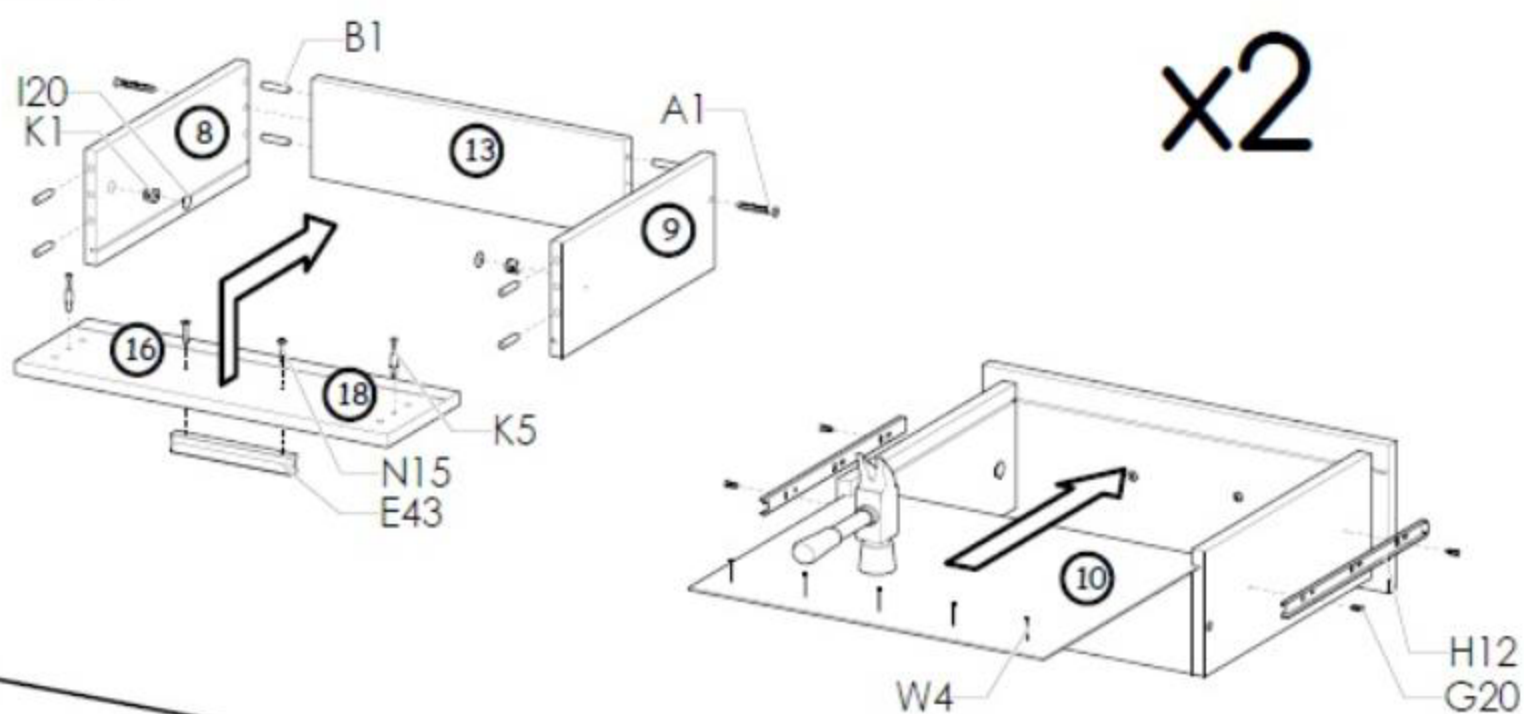
IV



V



VI



VII

