
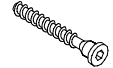



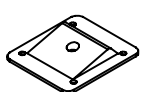

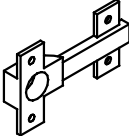



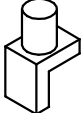

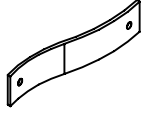
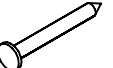


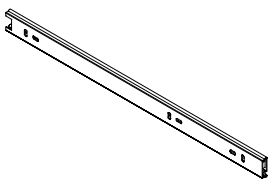

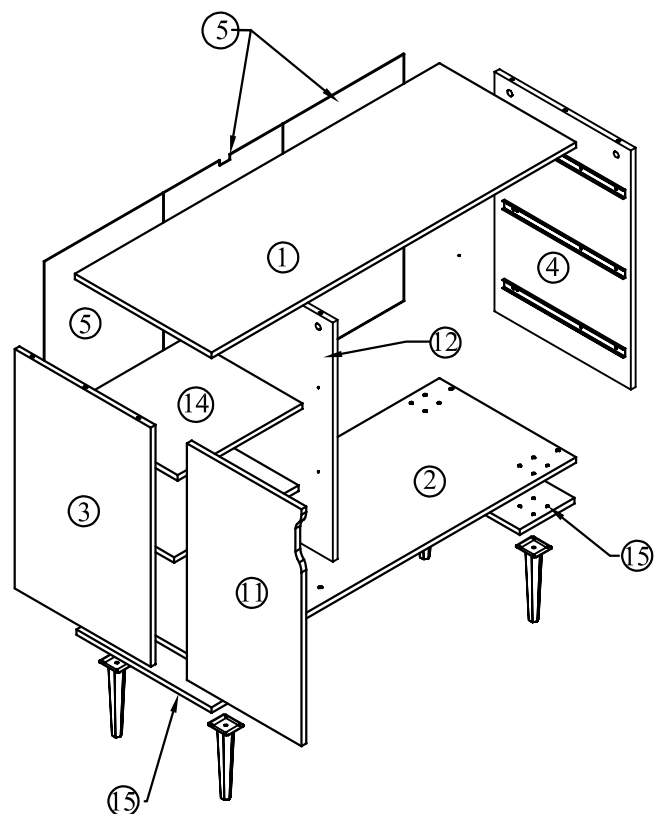
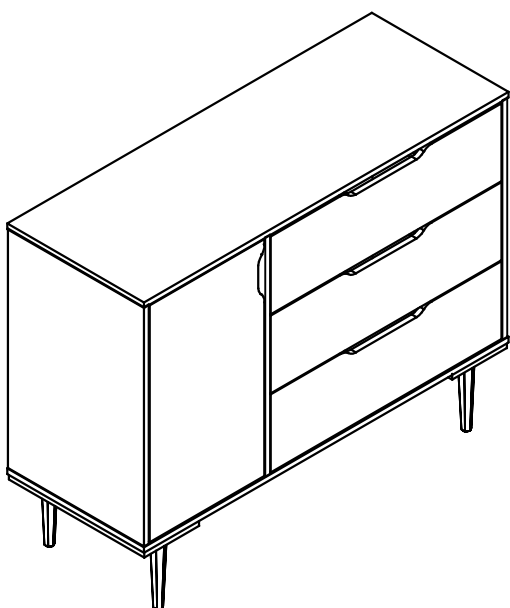
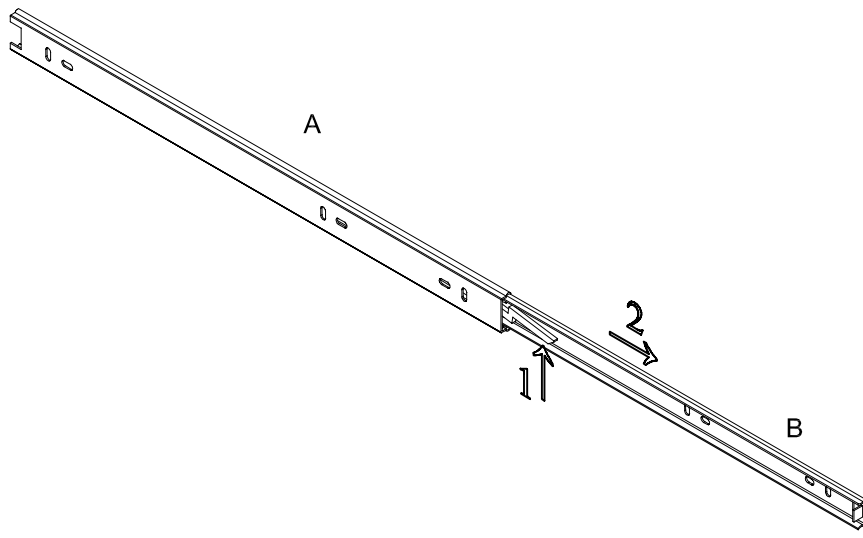
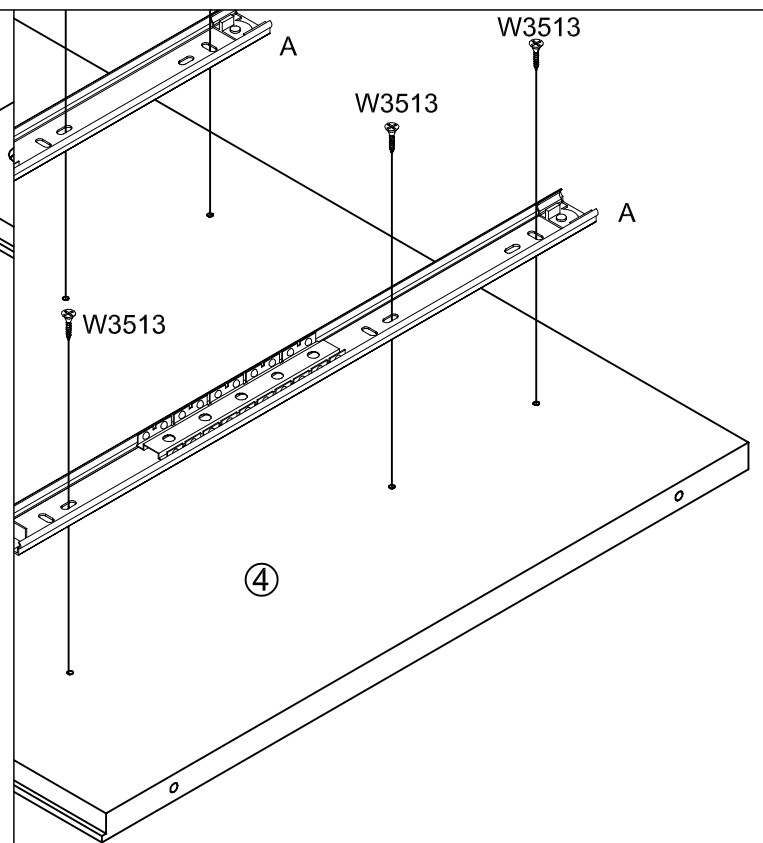
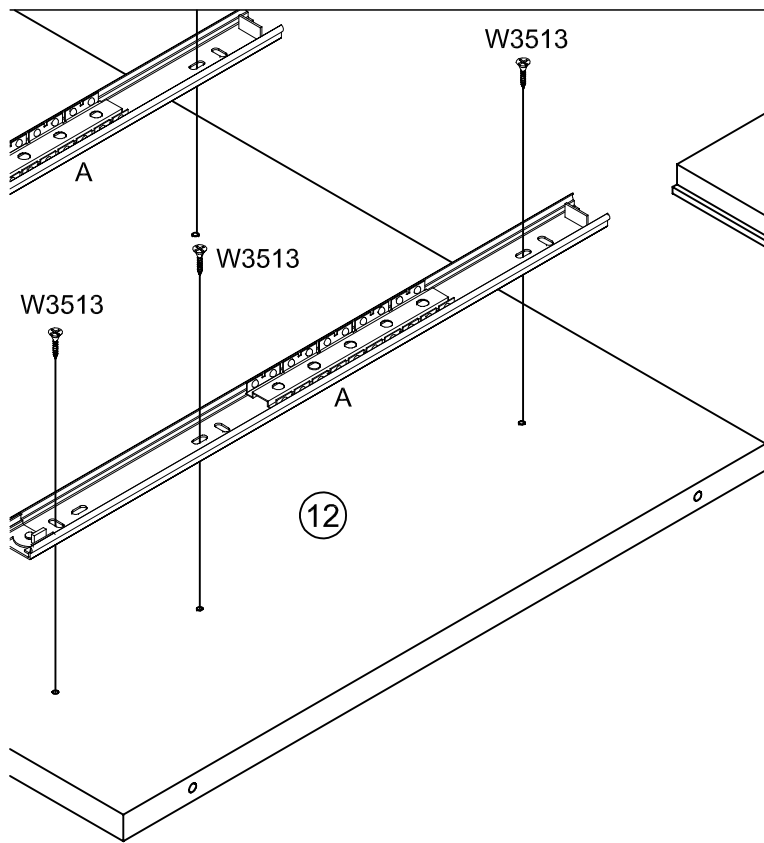
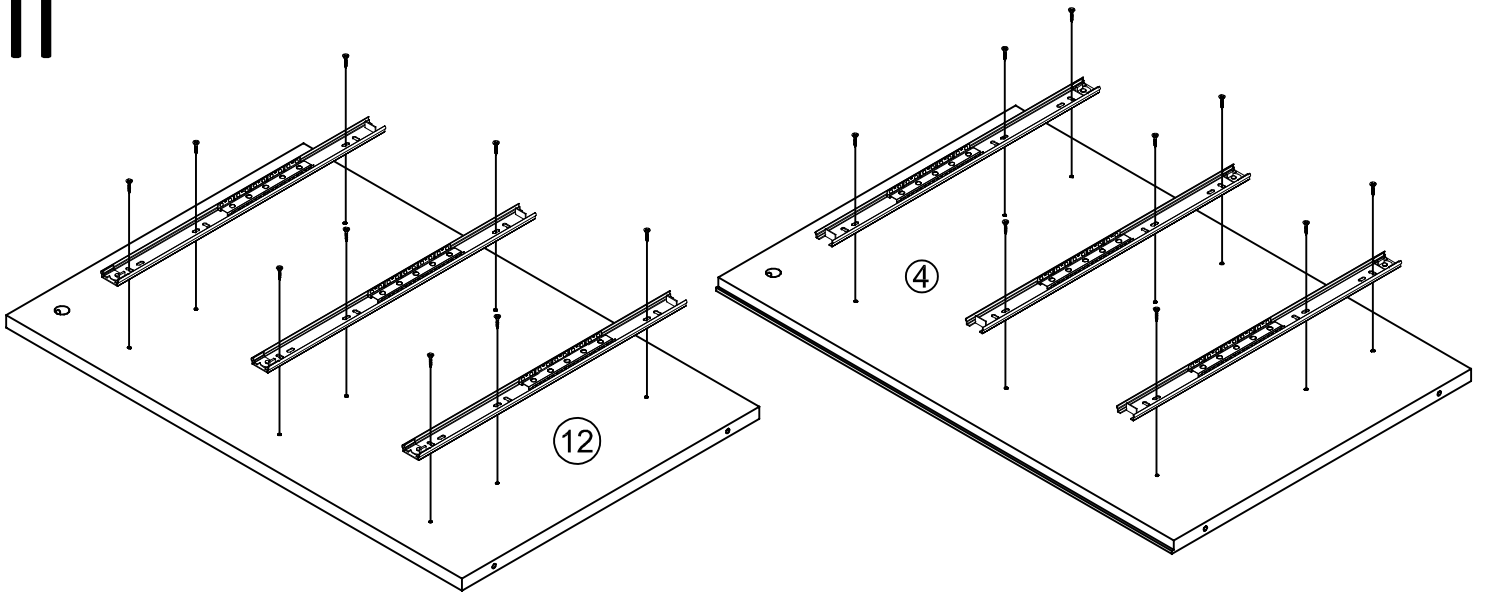
 MT x18	 M x18	 7.5x50 WK5 x18	 8x30 D8 x3	 Z431 x16	 S416 x16
 N10 x4	 NS1 x4	 ZG x2	 3.5x16 W3516 x5	 3.5x13 W3513 x36	 A02 x30
 A03 x1	 A05 x1	 A06 x1	 A09/1 x2	 A09 x2	 A04 x8
		 PK x6	 A01 x1		



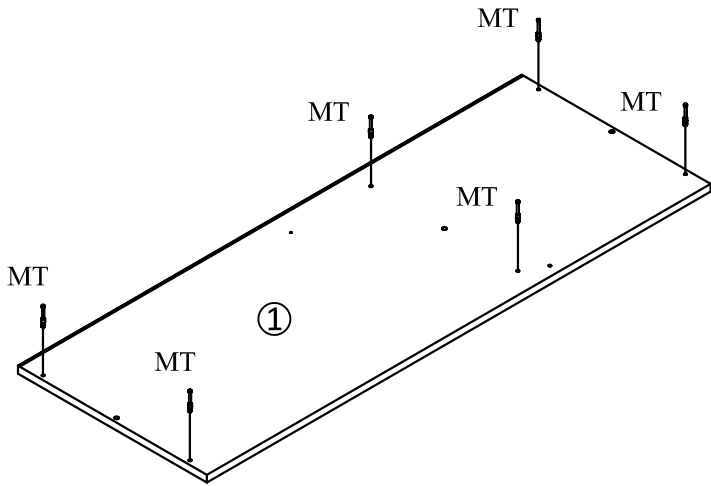
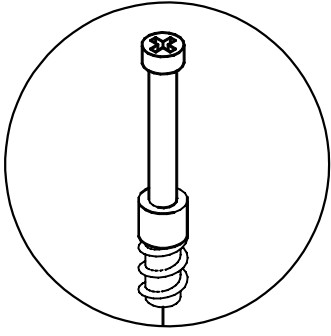
I



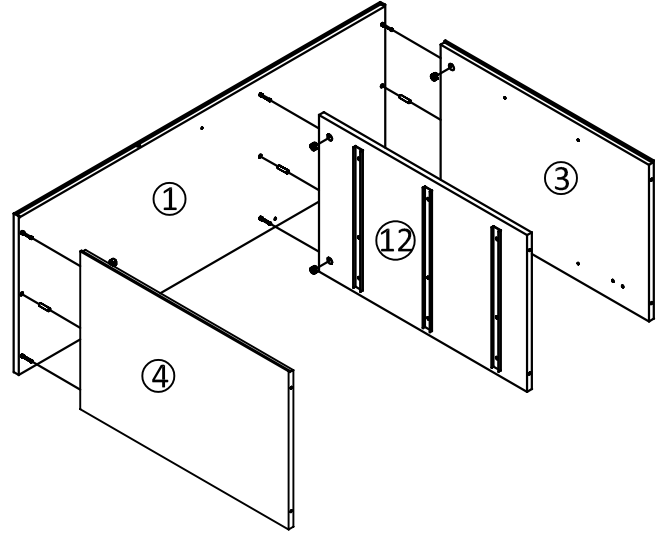
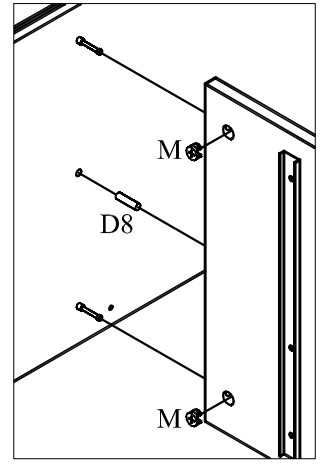
II



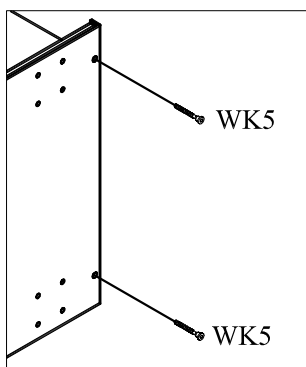
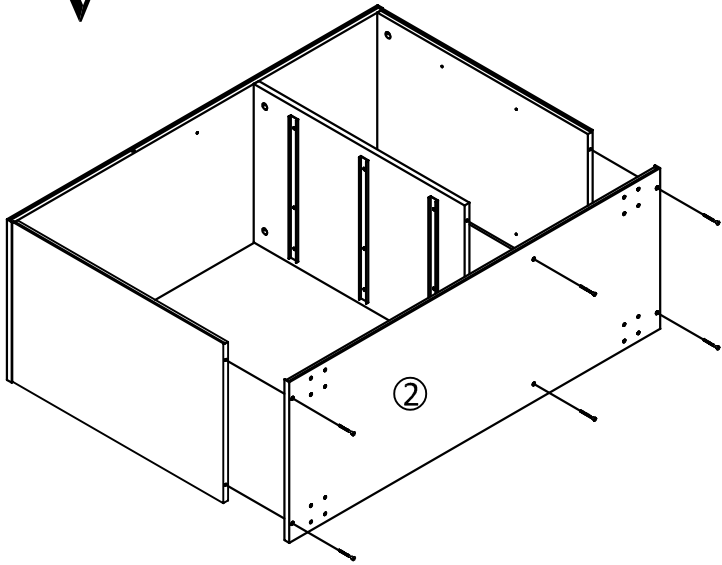
III



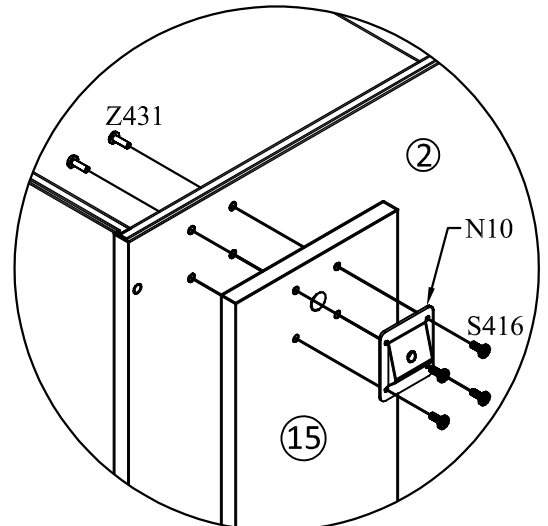
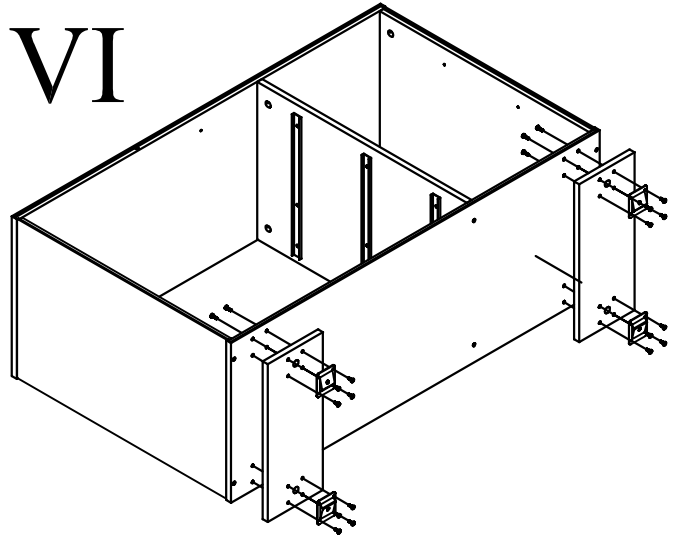
IV



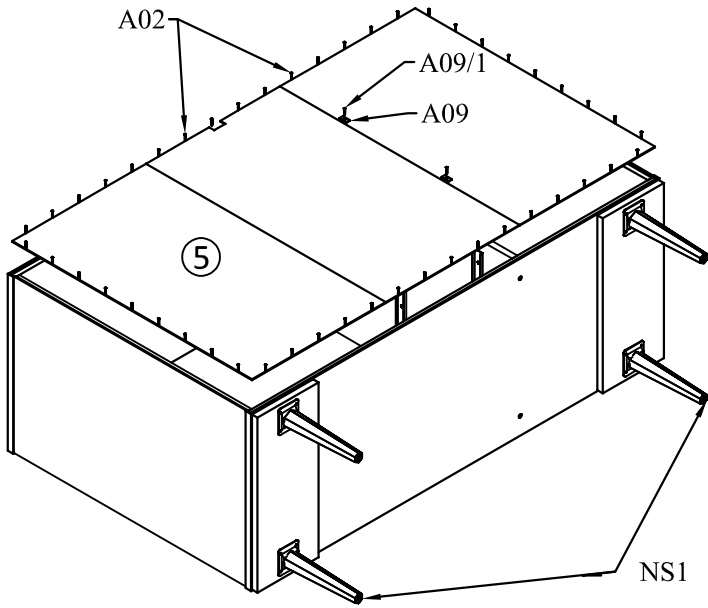
V



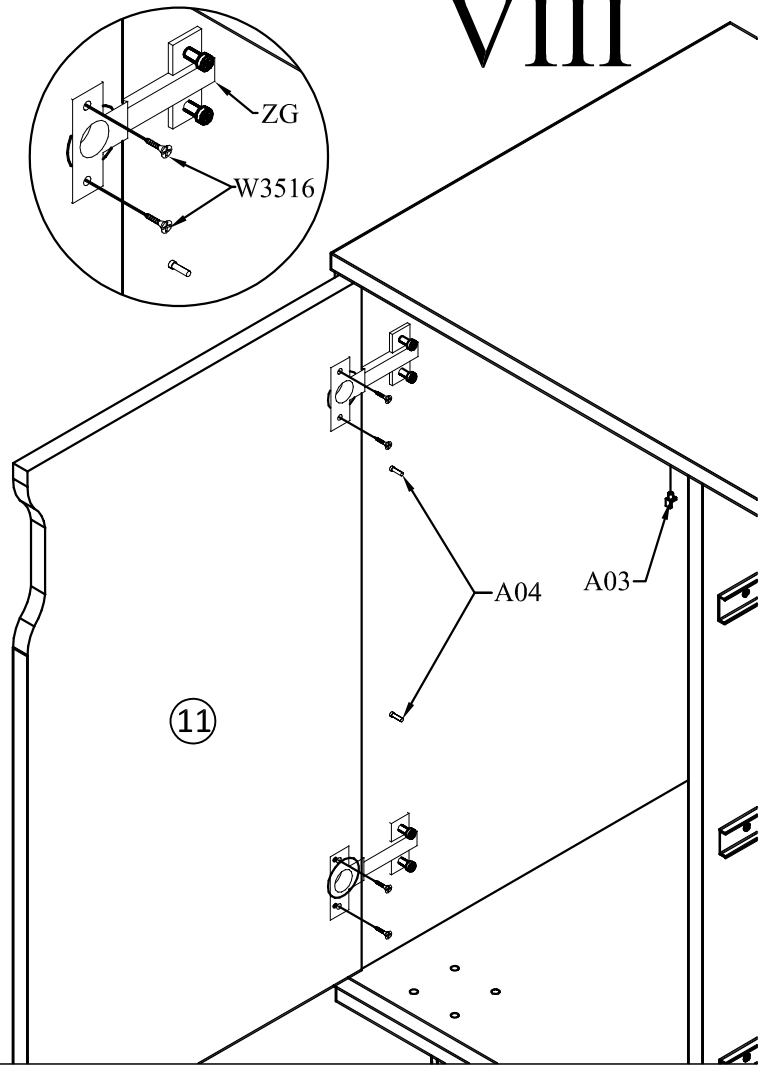
VI



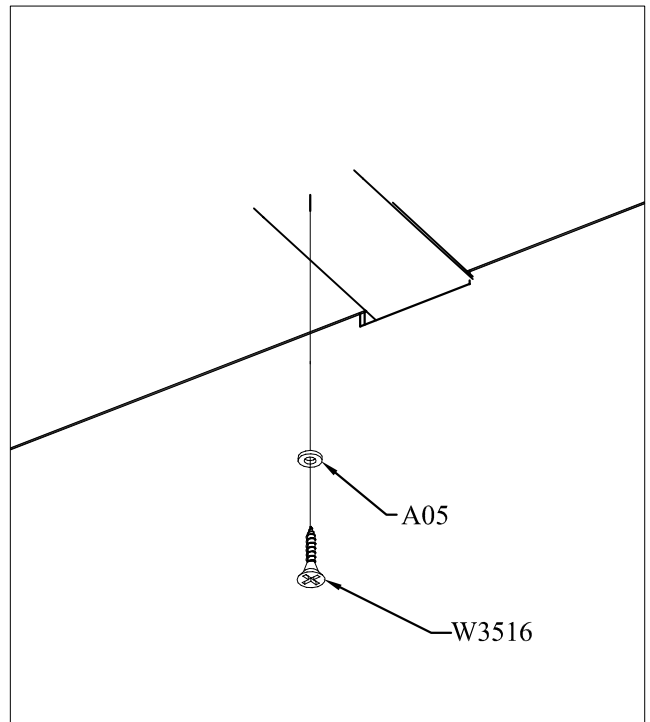
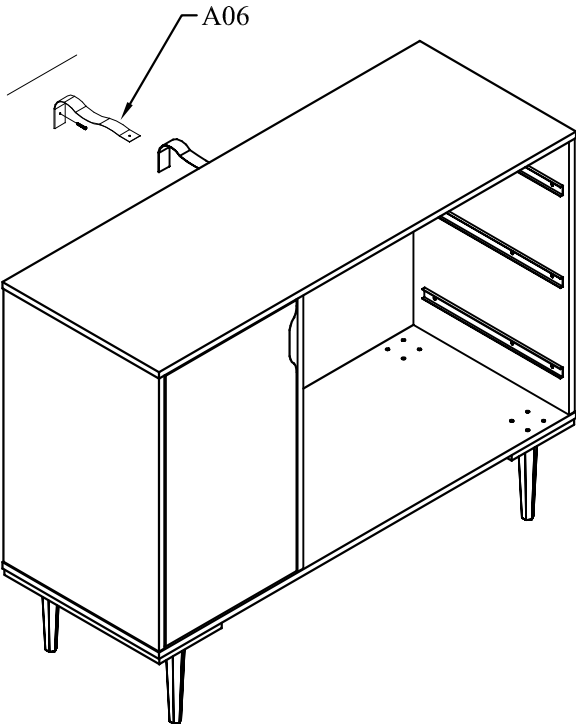
VII



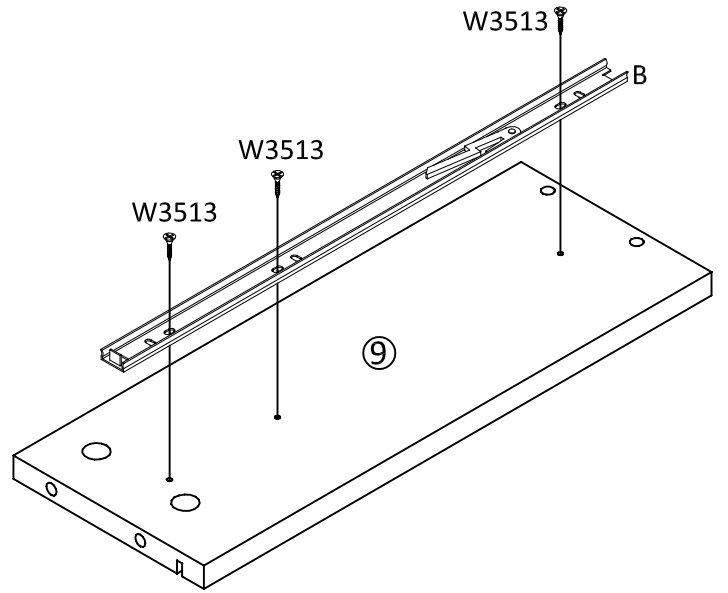
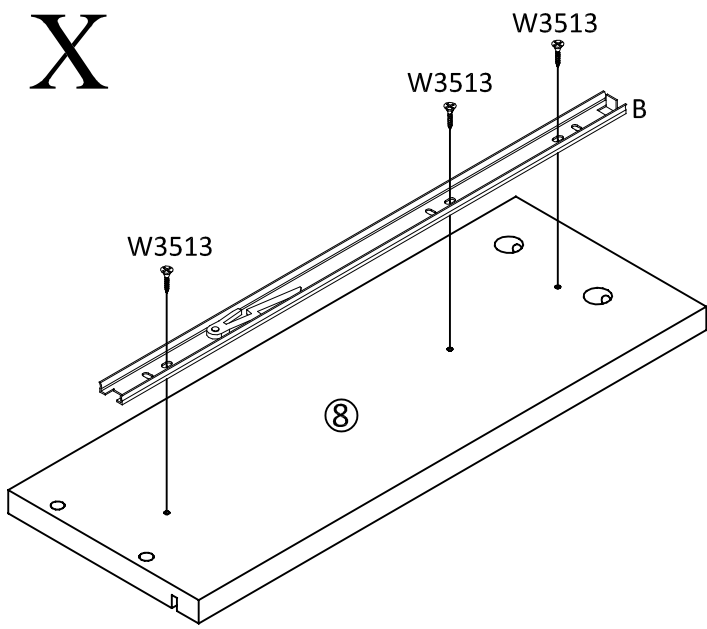
VIII



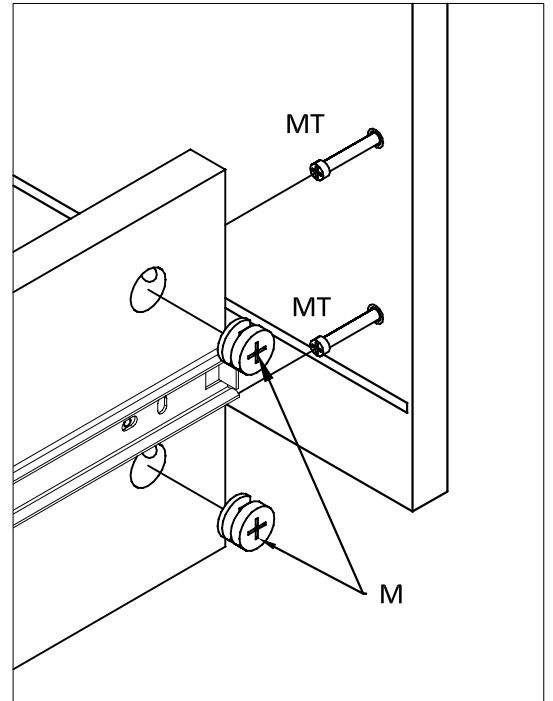
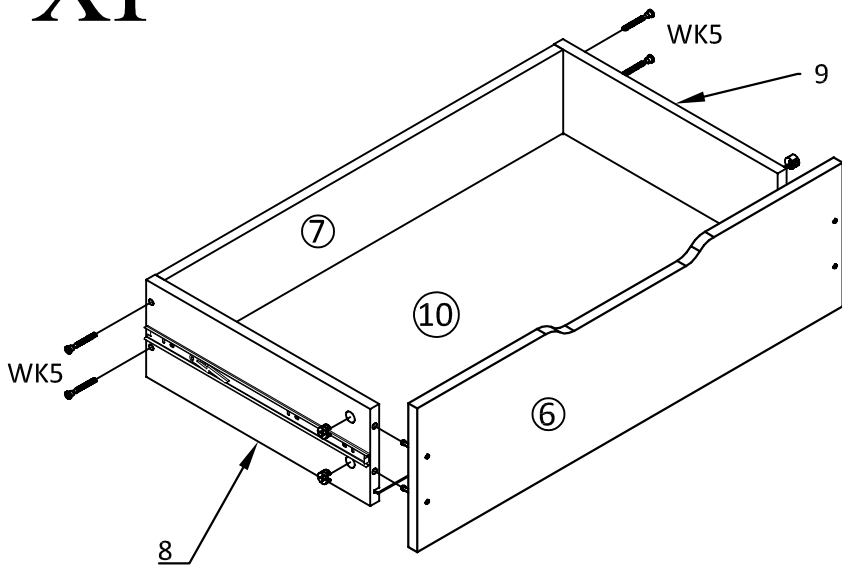
IX



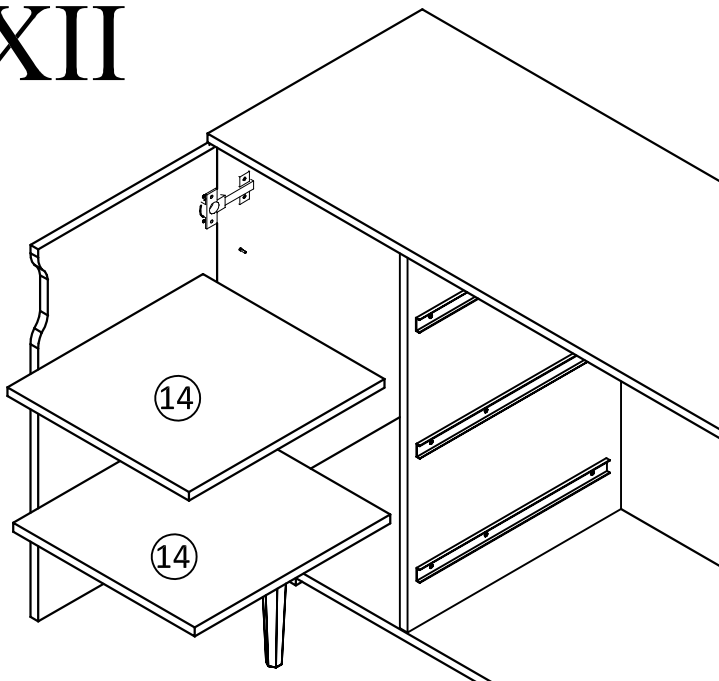
X



XI



XII



XIII

