






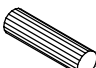
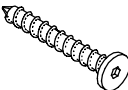


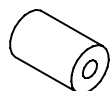




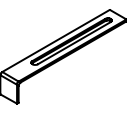
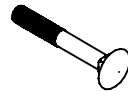


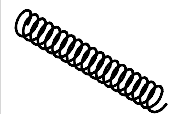

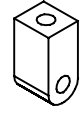
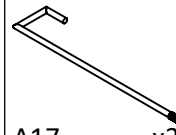


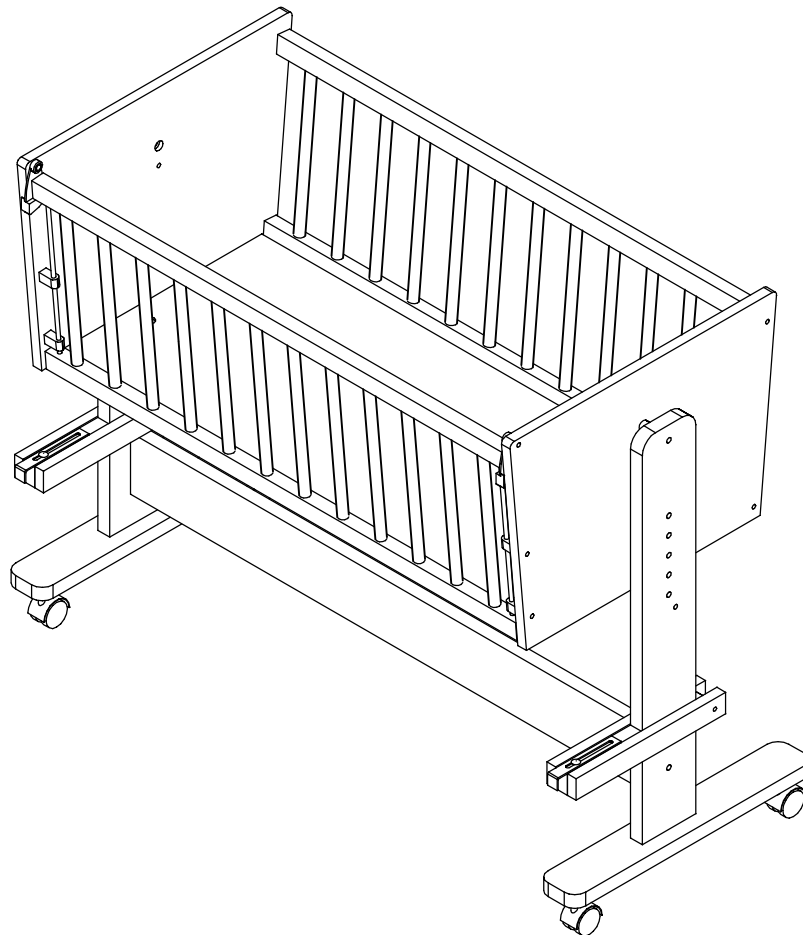
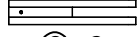
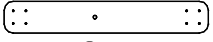
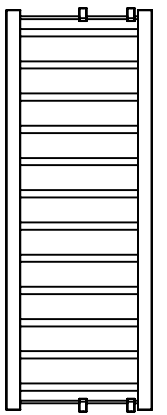
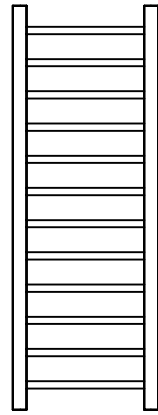
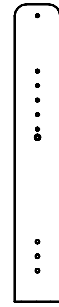
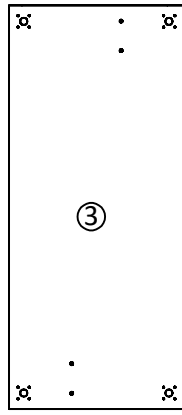
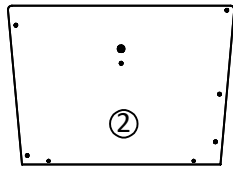
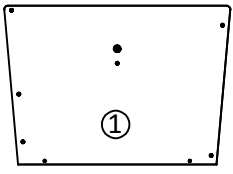


M6x60  S660BP x4	M6x50  S650 x4	M6x50  S650BP x4	M6x25  S625BP x8	M6x20  S620BP x2	NW  NW x4	NK  NK x8
8x30  D8 x12	WK63  WK63 x4	MT  MT x4	M  M x4	T26  T26 x4	T21  T21 x6	T11/8  T11/8 x2
K  K x4	W3513  W3513 x16	A18  A18 x2	S640  S640 x2	NM  NM x4	A05/1  A05/1 x4	A20  A20 x2
L15  L15 x2	A21  A21 x8	A17  A17 x2	A22  A22 x1	A01  A01 x2		





⑧ x2

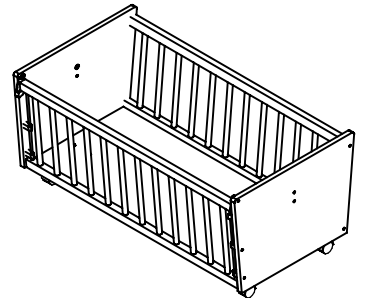
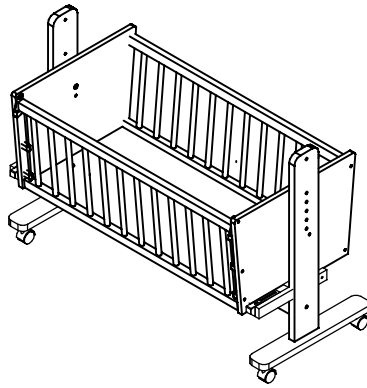
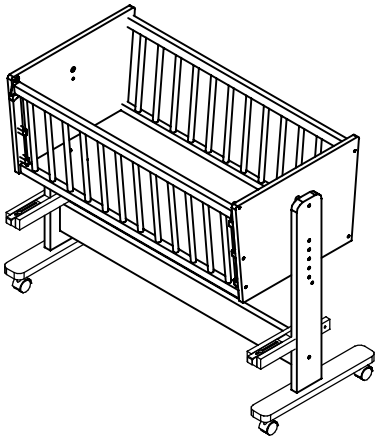
⑨ x2

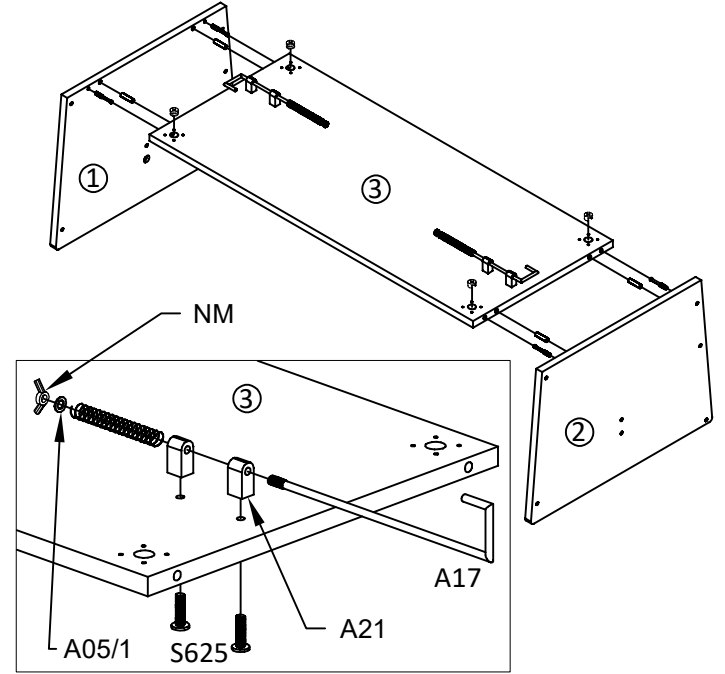
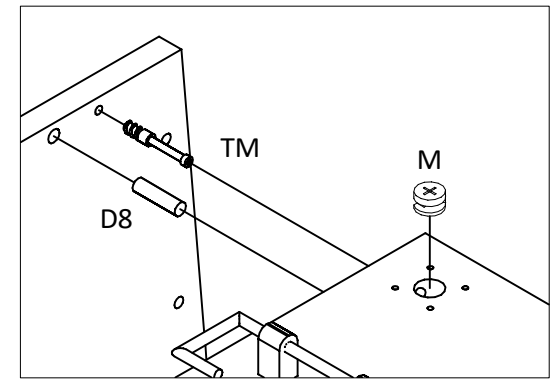
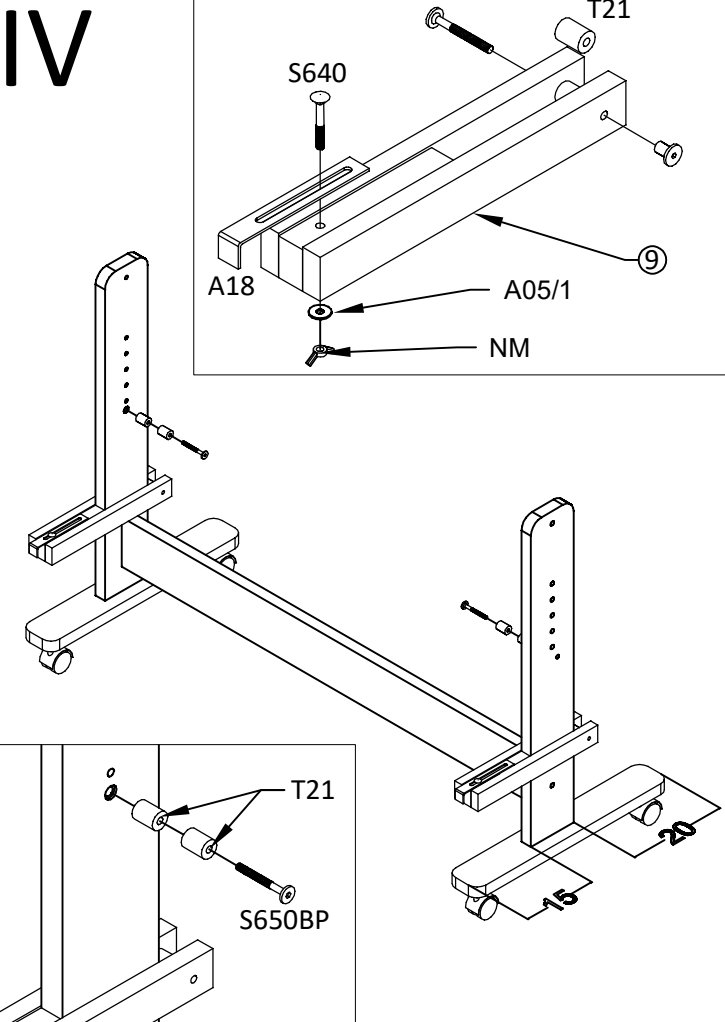
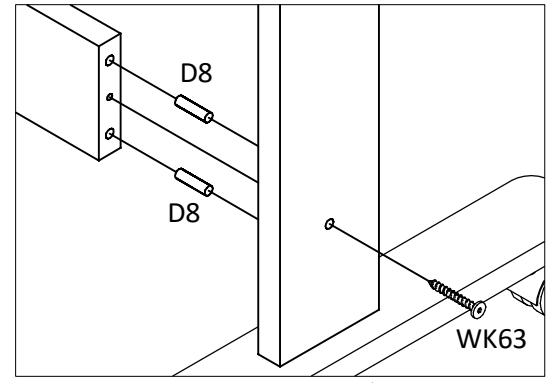
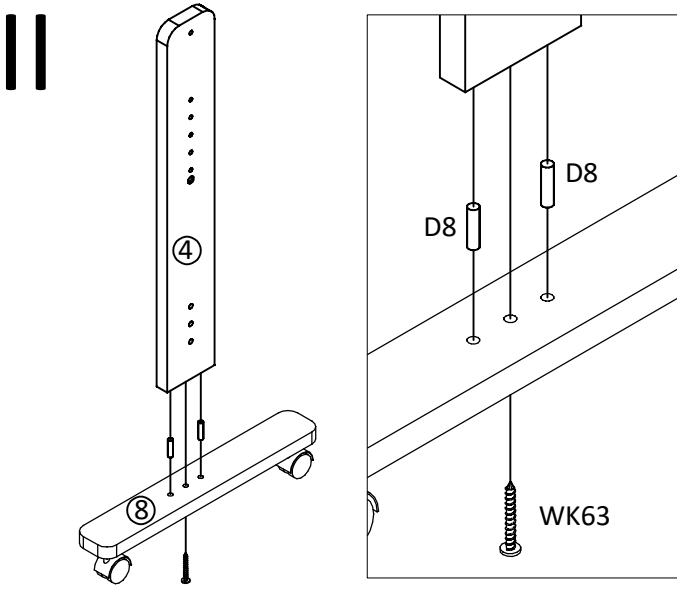
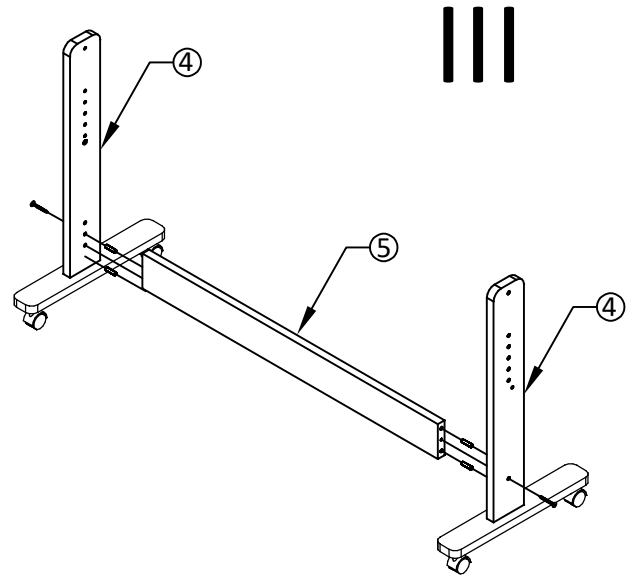
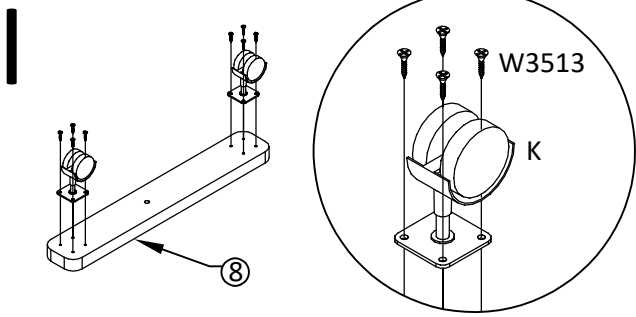
④ x2

⑤

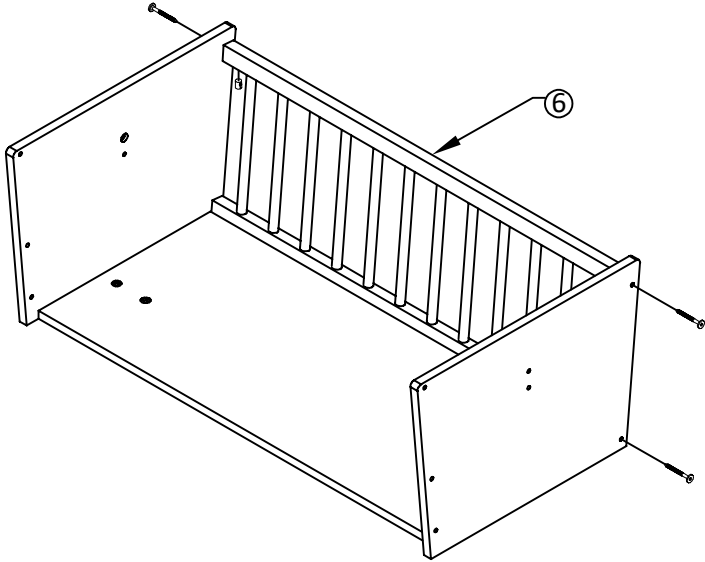
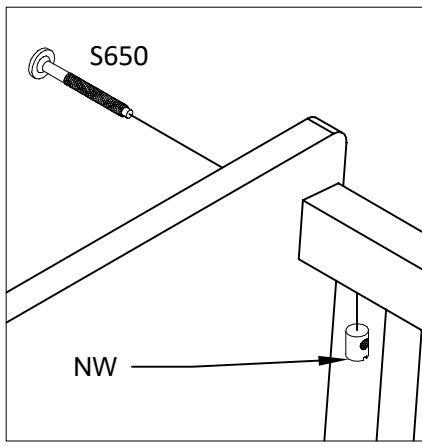
⑥

⑦

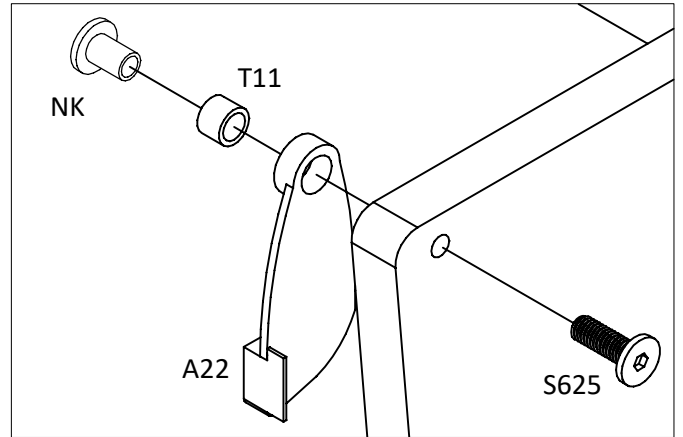
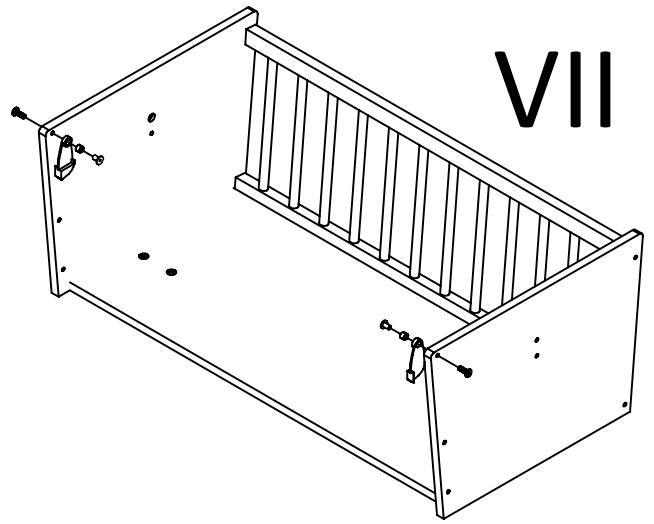




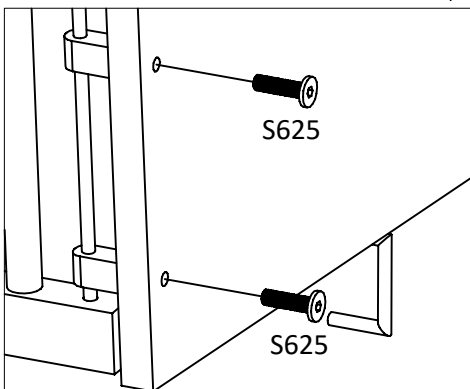
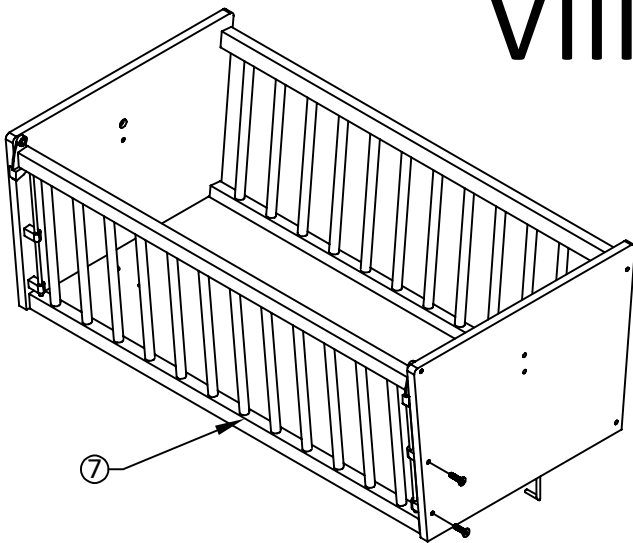
VI



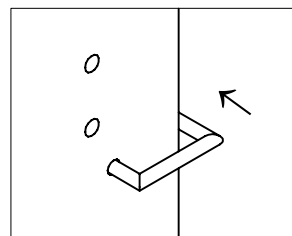
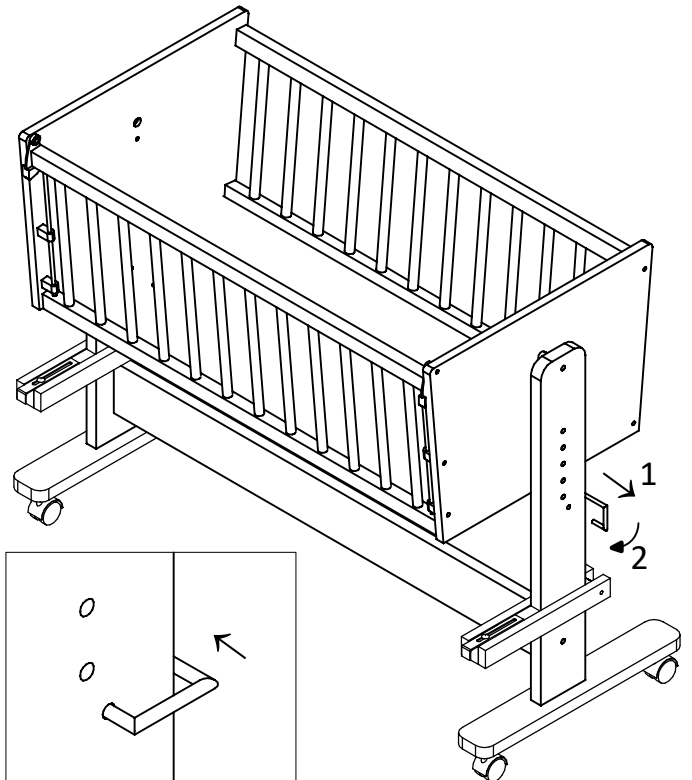
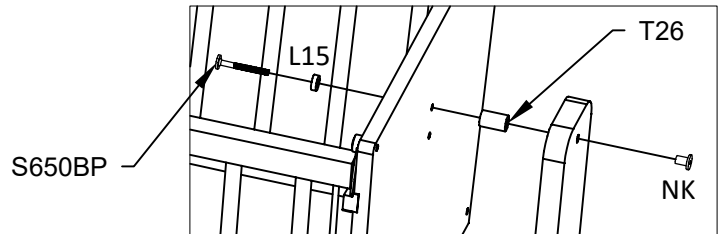
VII



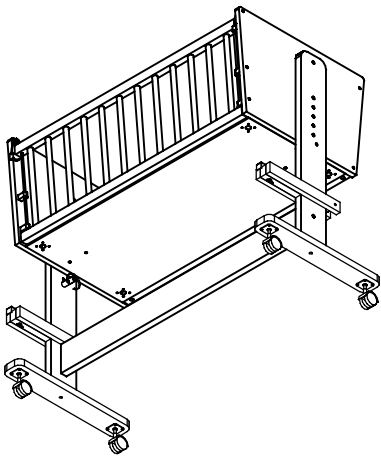
VIII



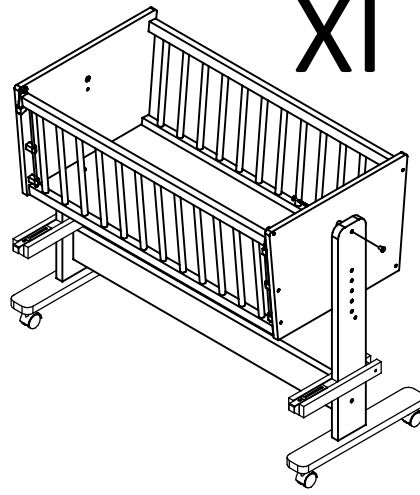
IX



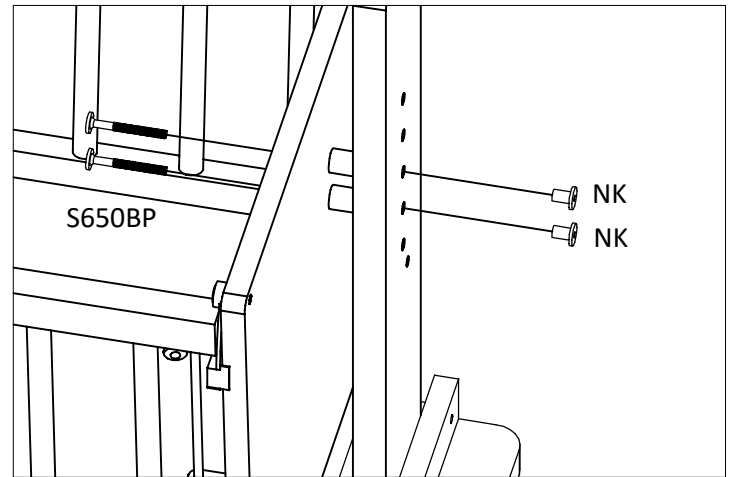
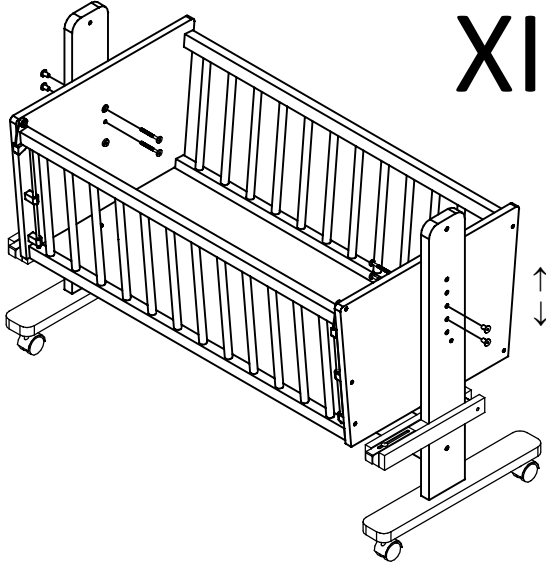
X



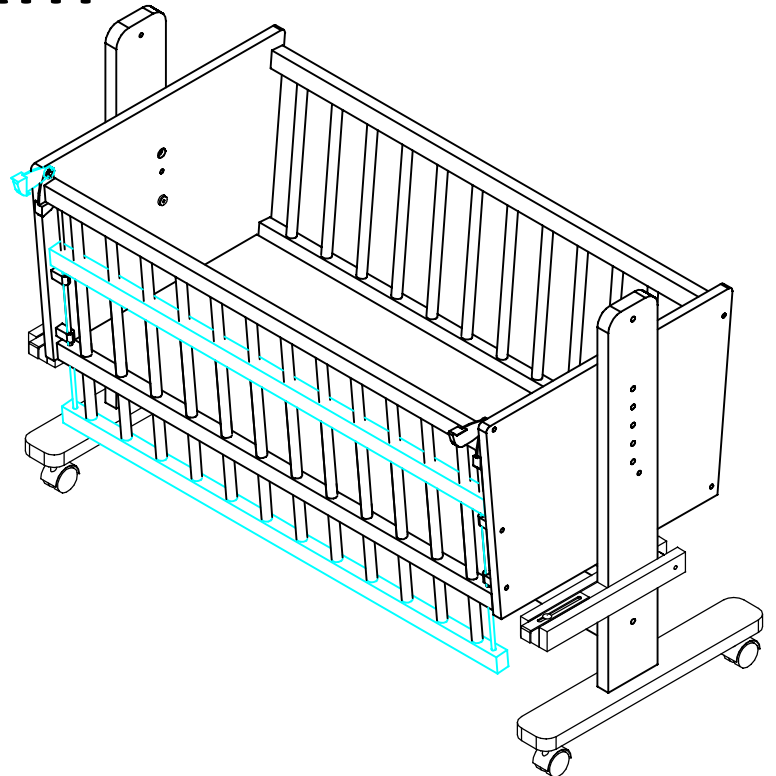
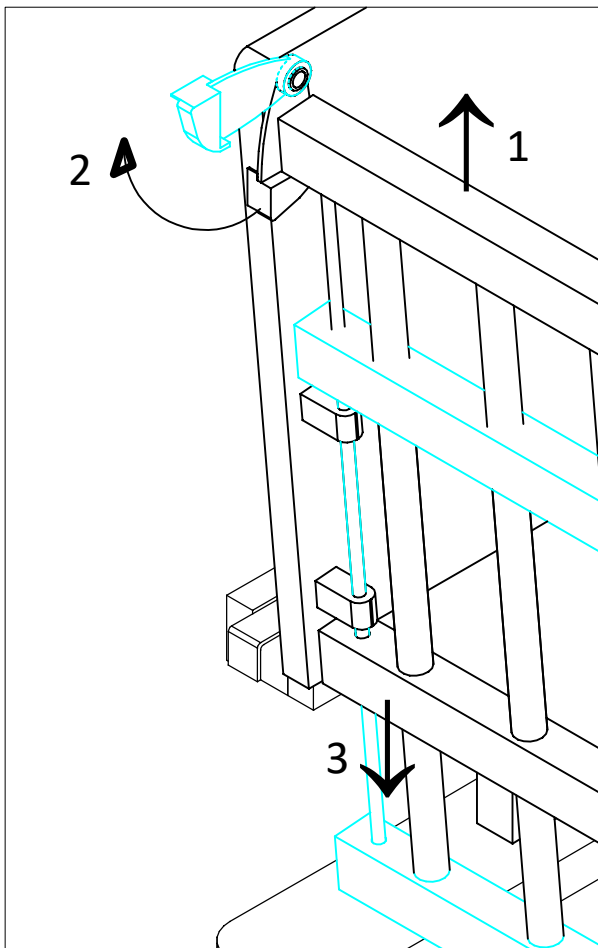
XI



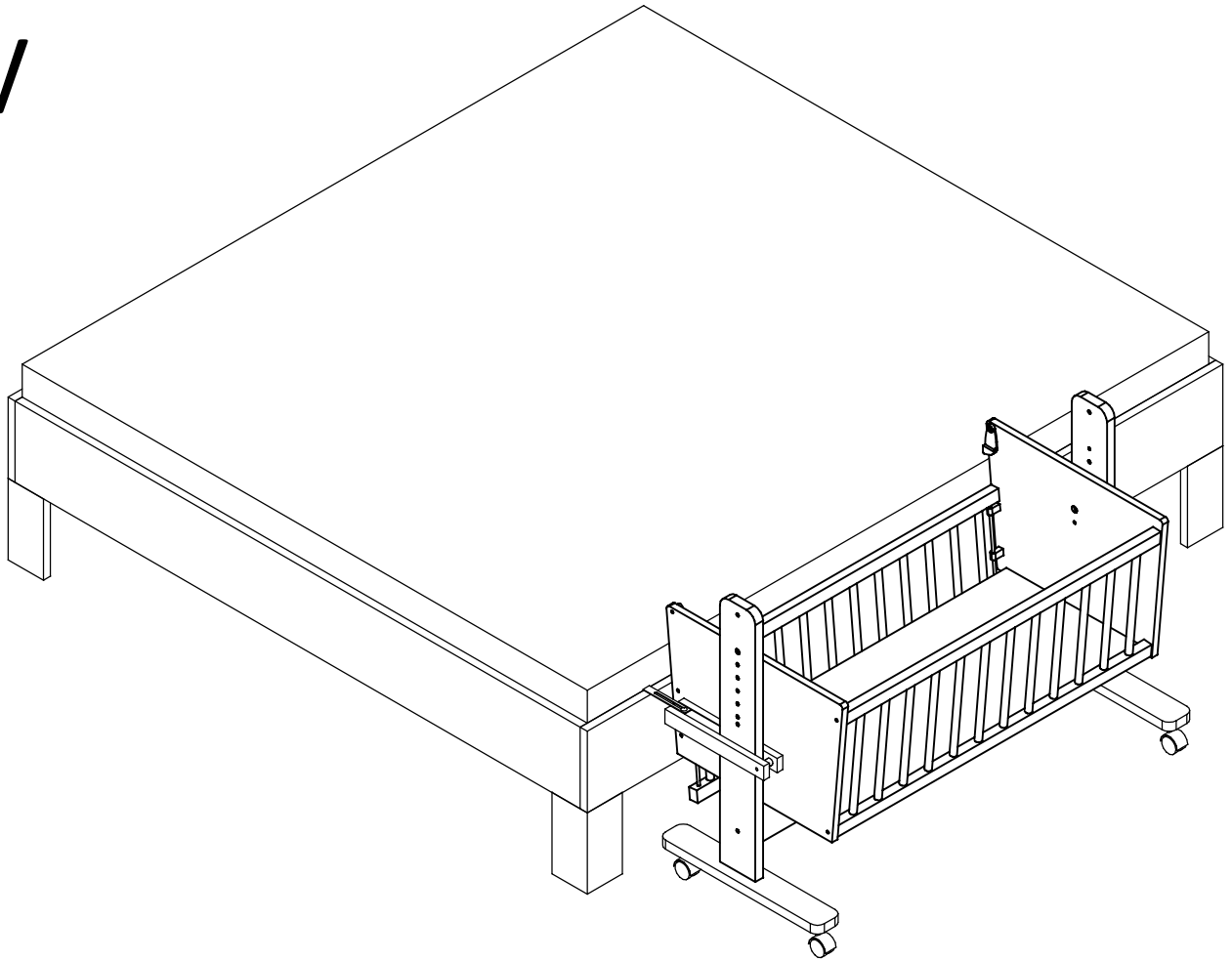
XII



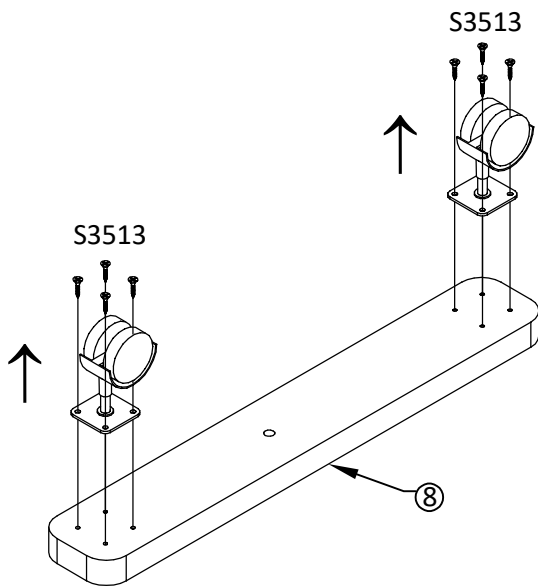
XIII



XIV



XV



XVI

