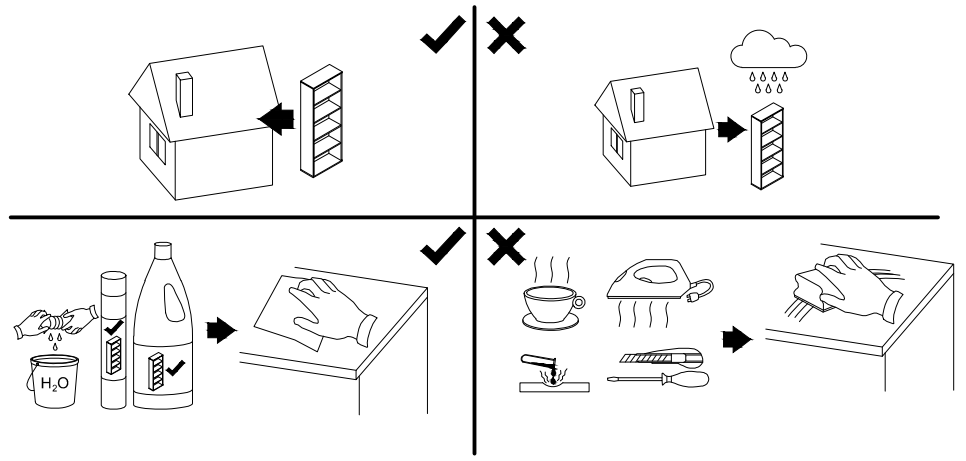
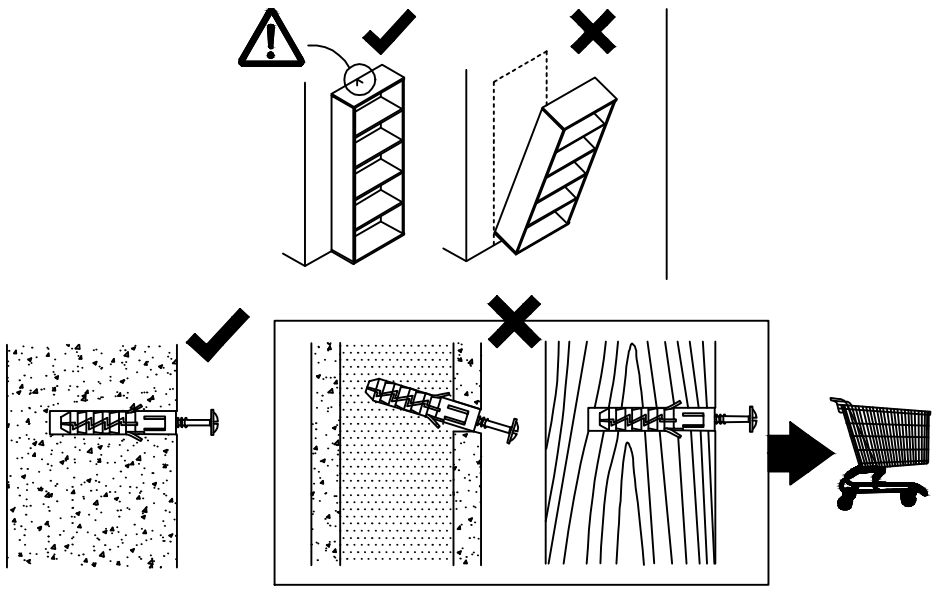
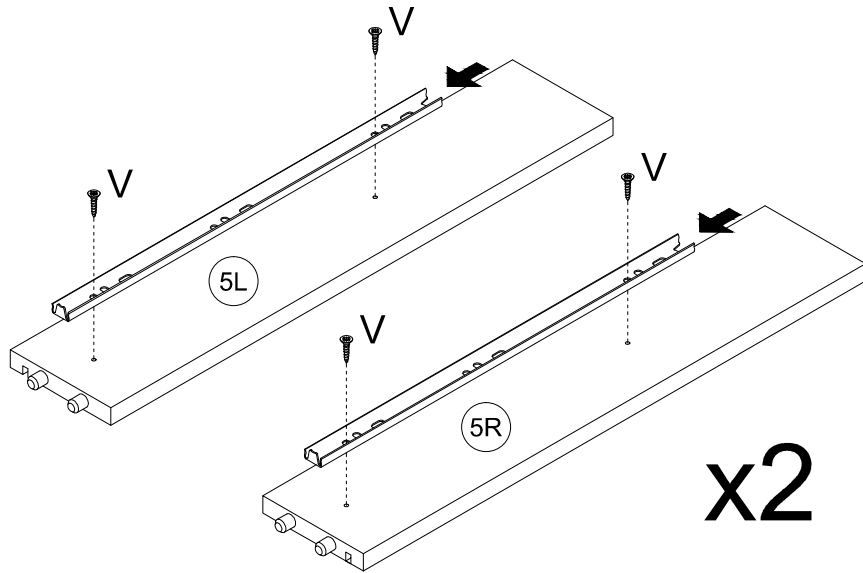
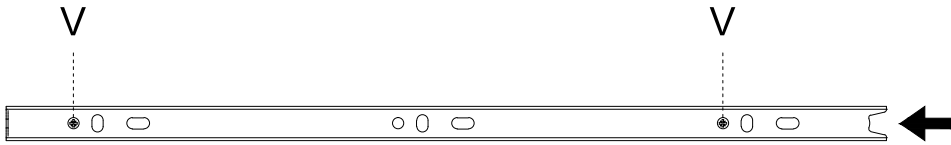
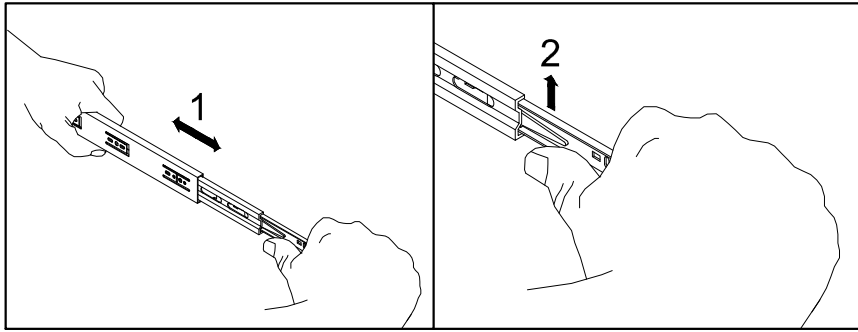


A	8x32	DY	H-10mm	GLUE	M4	4x20
	x24		x4		x3	x2
ND	3.5x16	NE	4x16	PPW	350mm	
	x16		x8		x4	
R4		TA		V	3x13	
	x2		x1		x8	

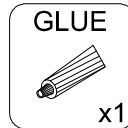
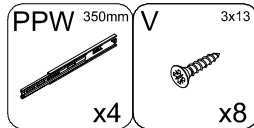
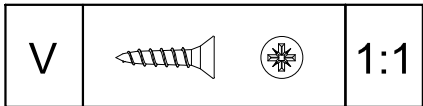
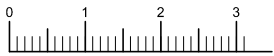
①	1035	500	16	x2	2 / 2
②	500	96	16	x2	2 / 2
③	444	96	16	x1	2 / 2
④	1002	96	16	x1	2 / 2
⑤L	400	80	12	x2	2 / 2
⑤R	400	80	12	x2	2 / 2
⑥	435	80	16	x2	2 / 2
⑦	444	398	2.5	x2	2 / 2
⑧	496	88	16	x2	2 / 2
⑨L	500	648	18	x1	1 / 2
⑨R	500	648	18	x1	1 / 2
⑩	998	18	18	x1	1 / 2
⑪	1034	648	18	x1	1 / 2



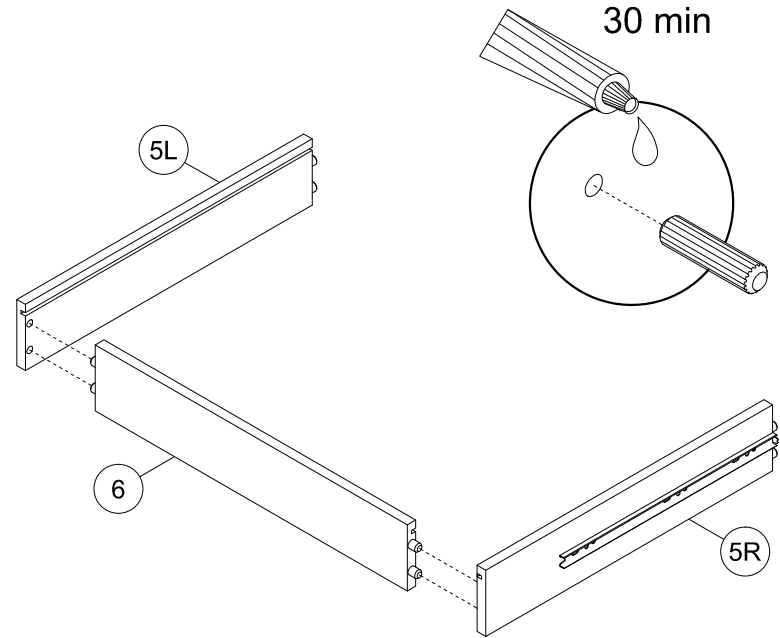
1



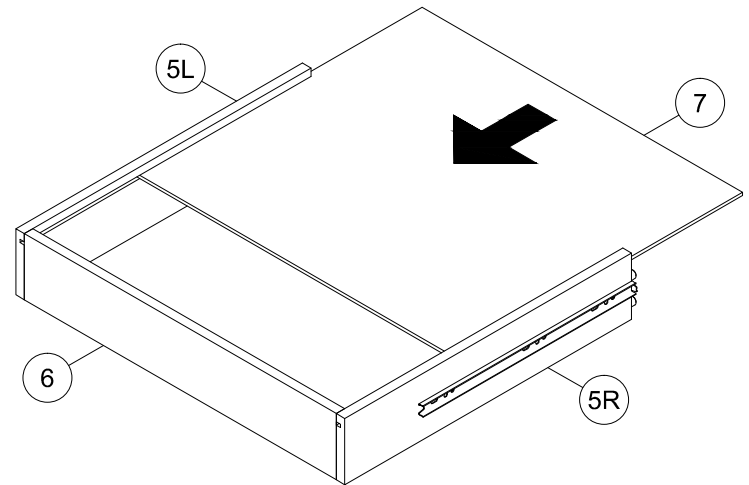
x2



2

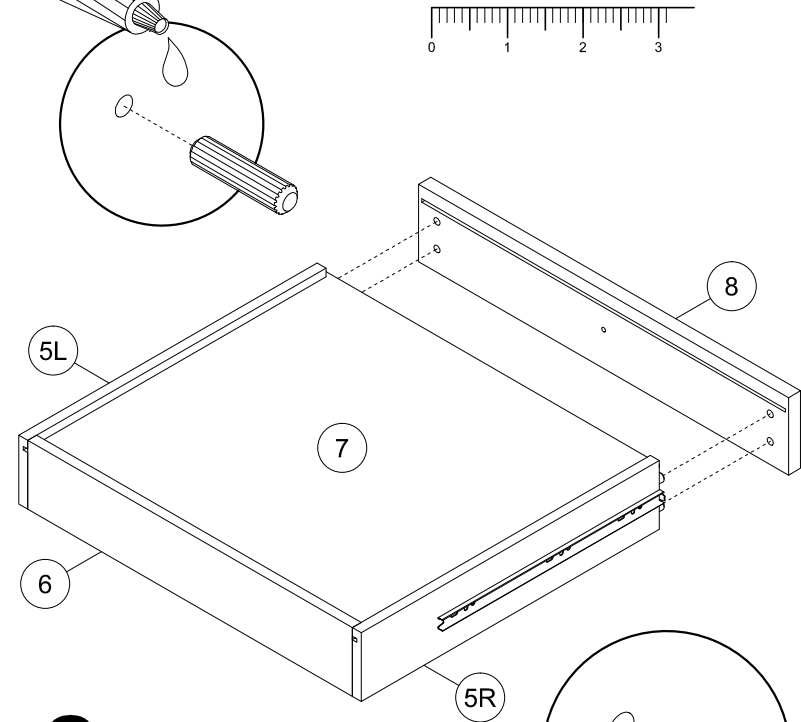
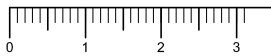
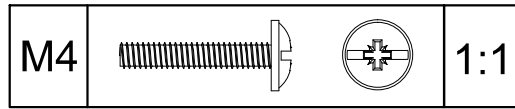


x2

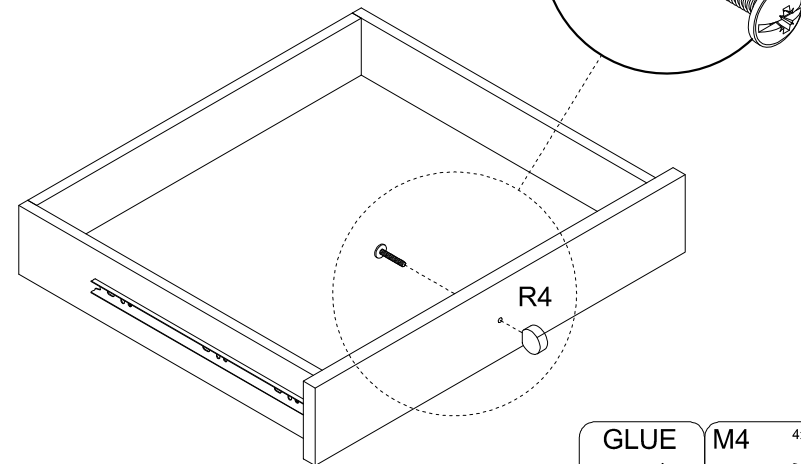


3

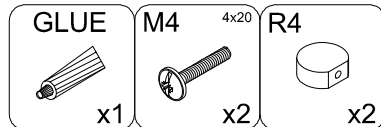
30 min



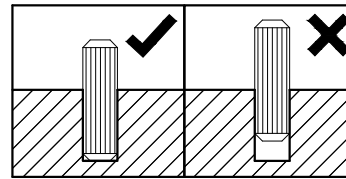
x2



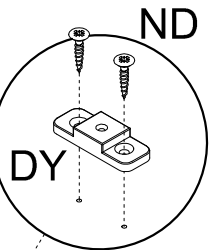
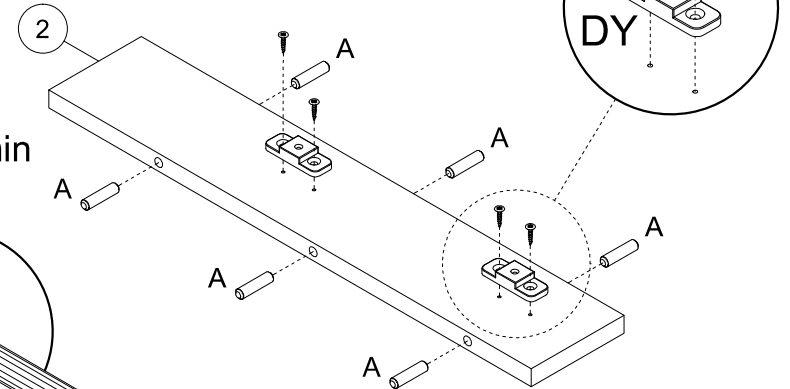
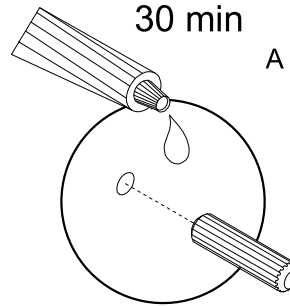
M4



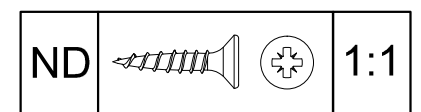
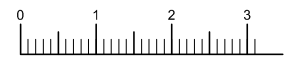
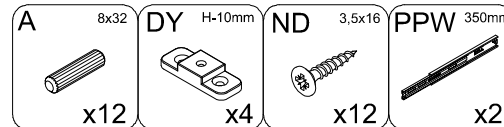
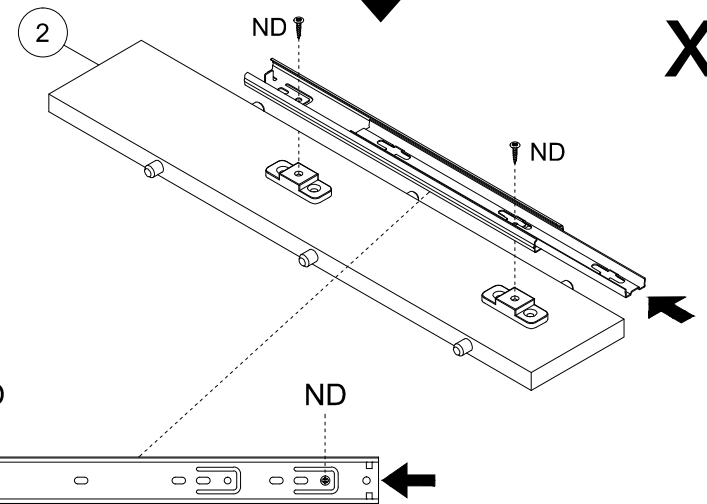
4



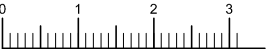
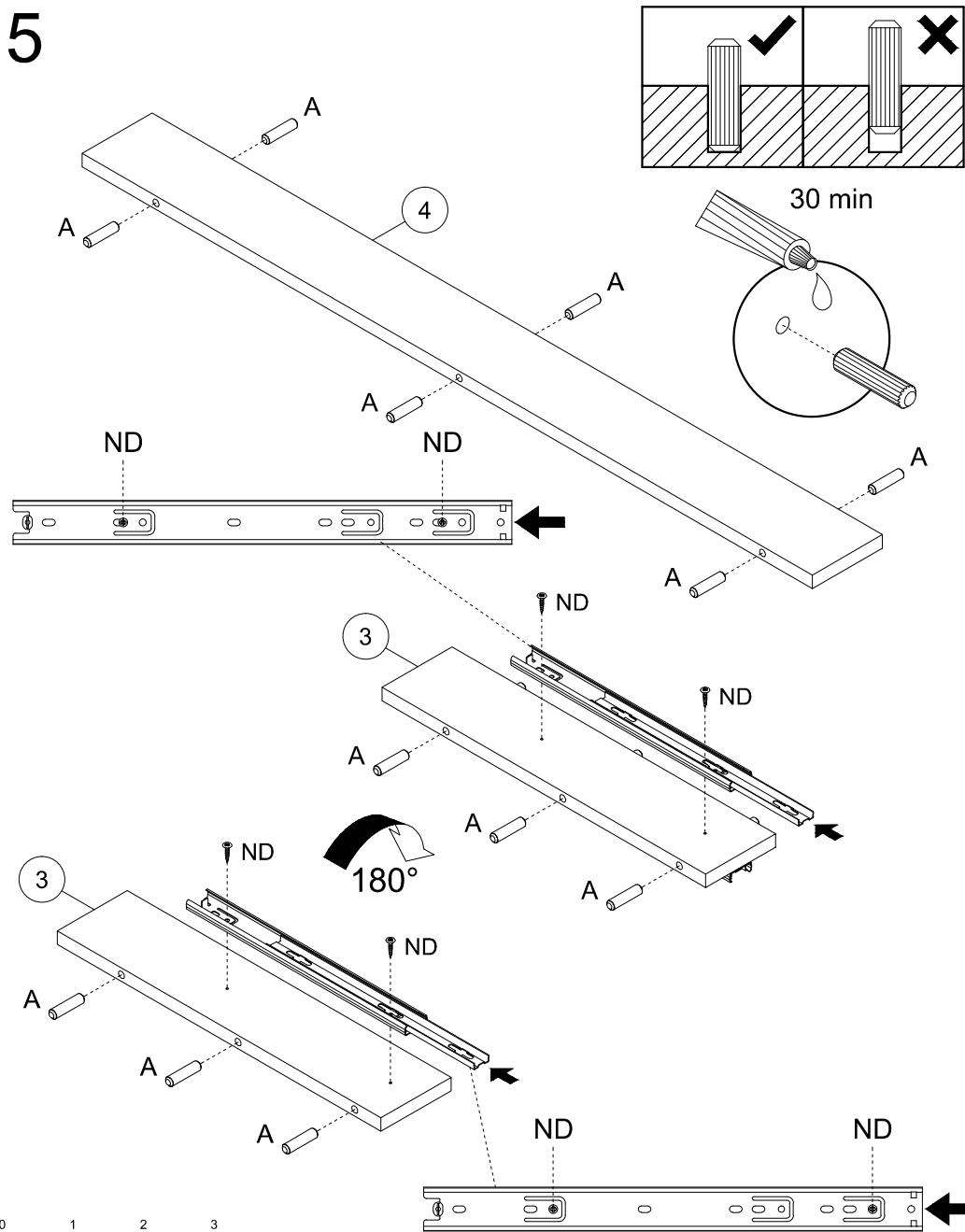
30 min



x2



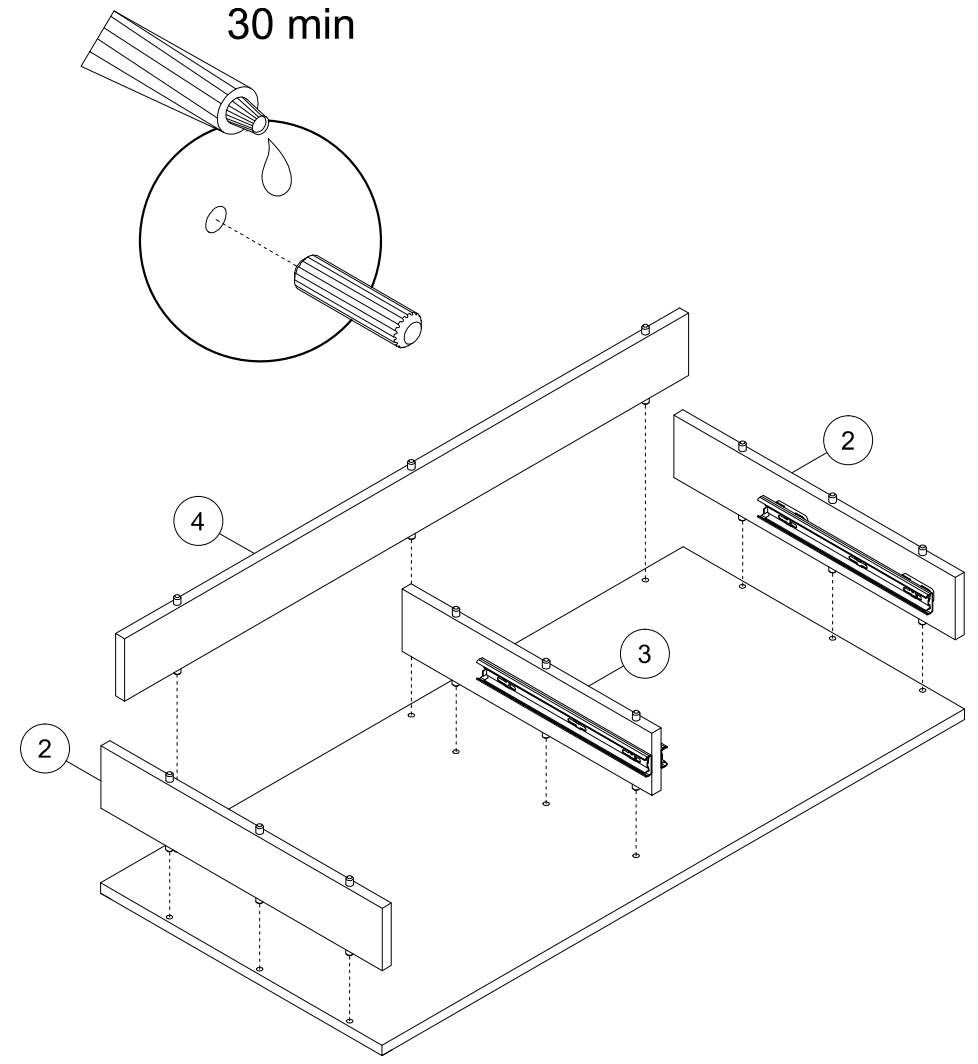
5



ND			1:1
----	--	--	-----

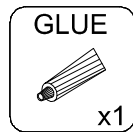
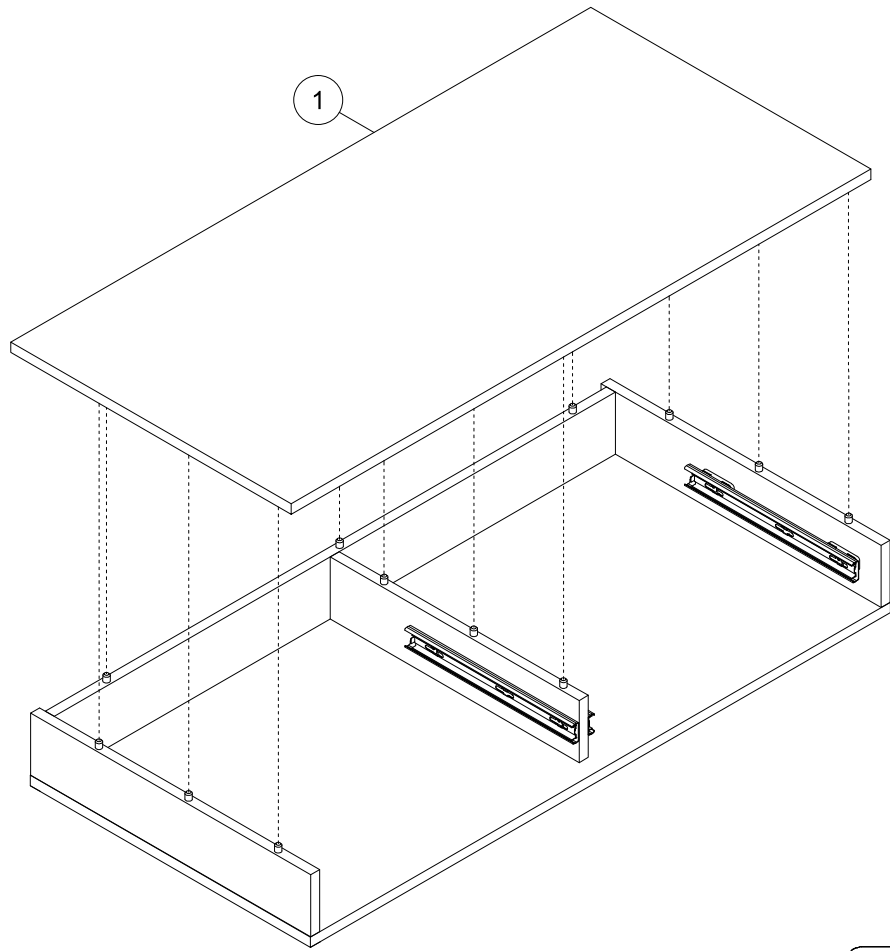
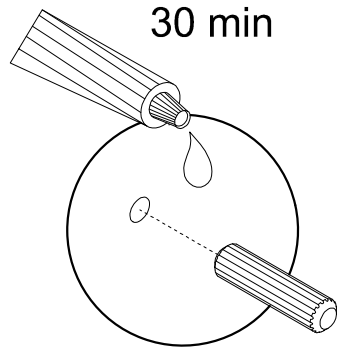
A	8x32	GLUE	ND	3,5x16	PPW	350mm	
	x12		x1		x4		x2

6

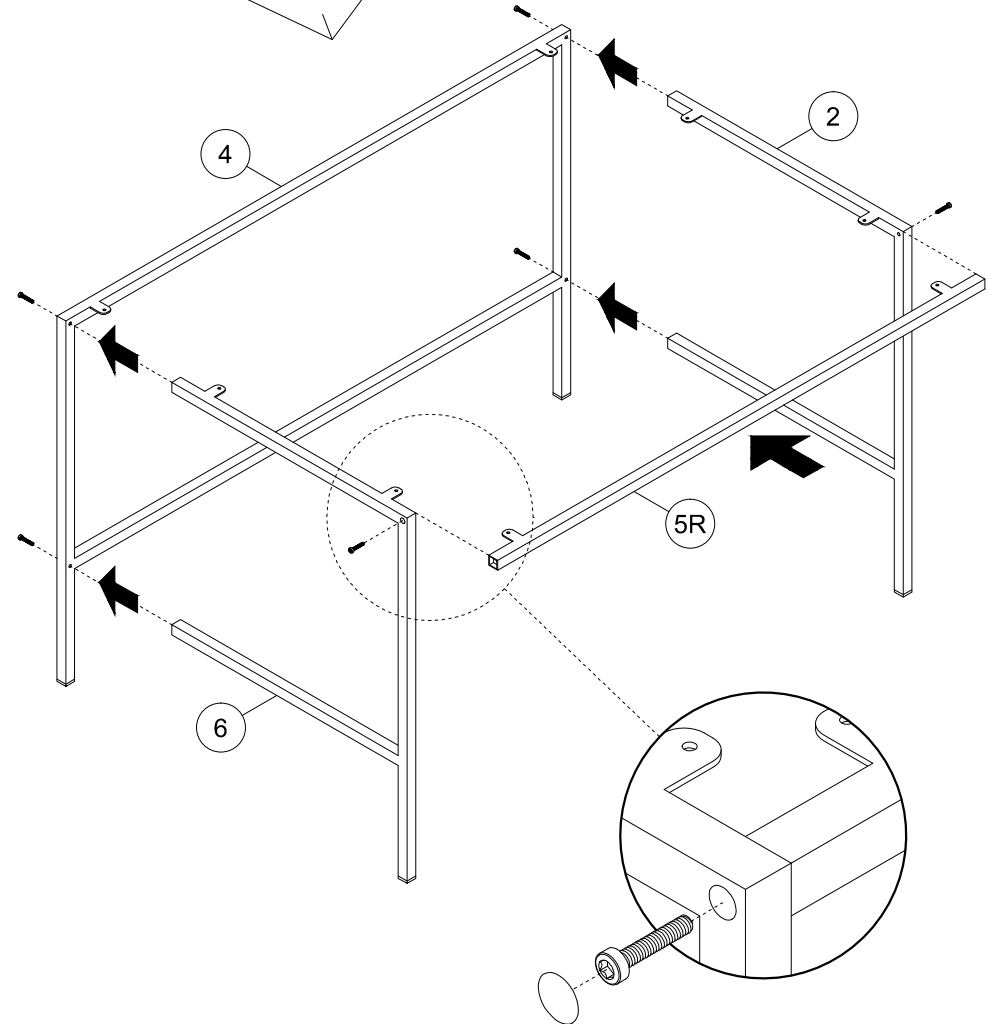
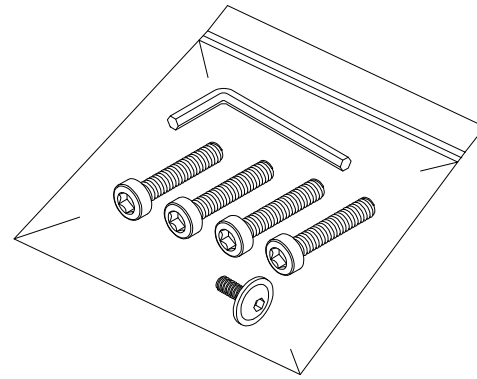


GLUE	
	x1

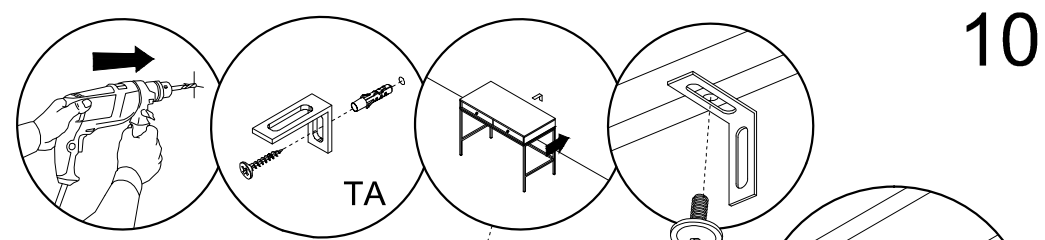
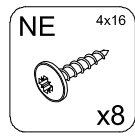
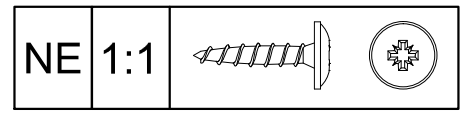
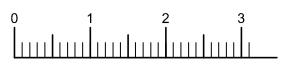
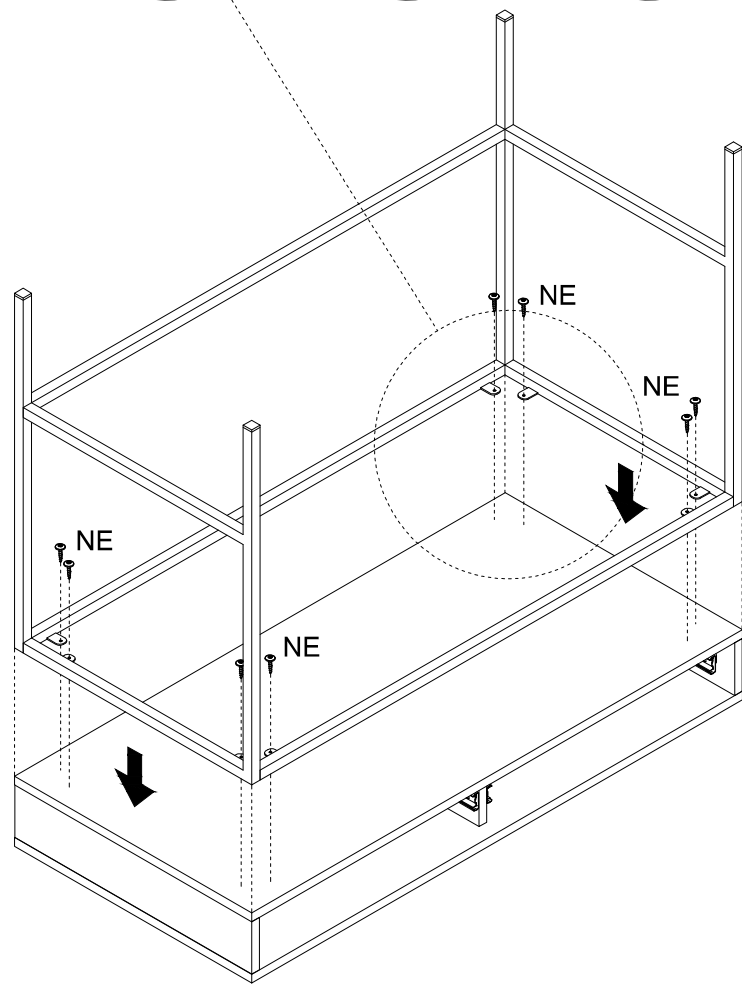
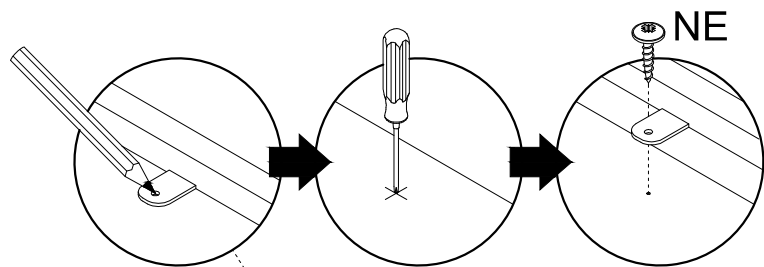
7



8



9



10

