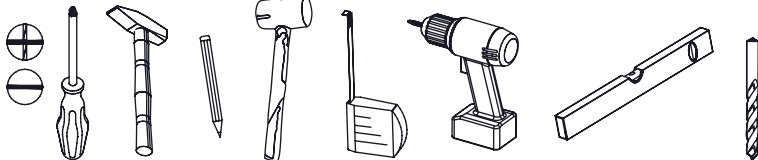
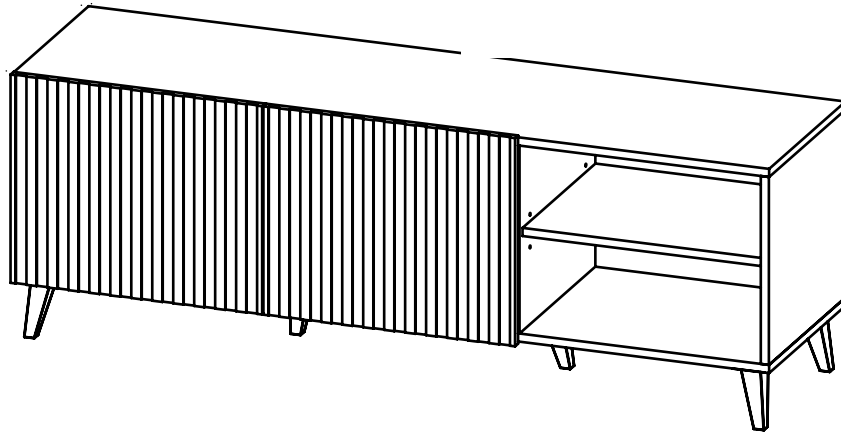
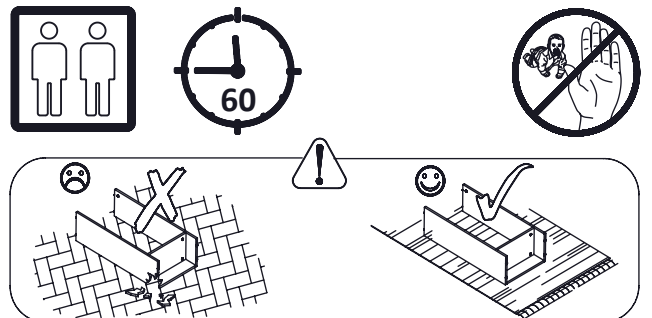


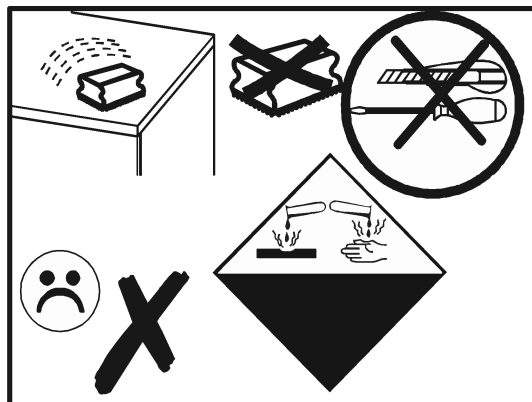
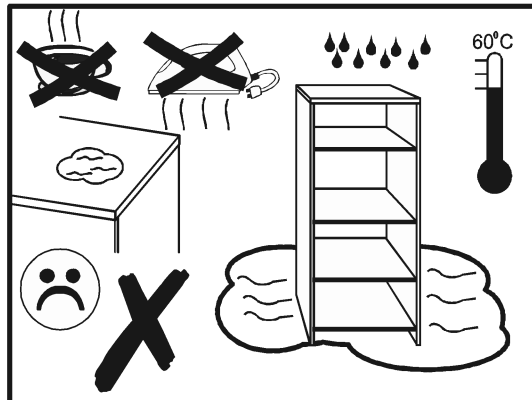
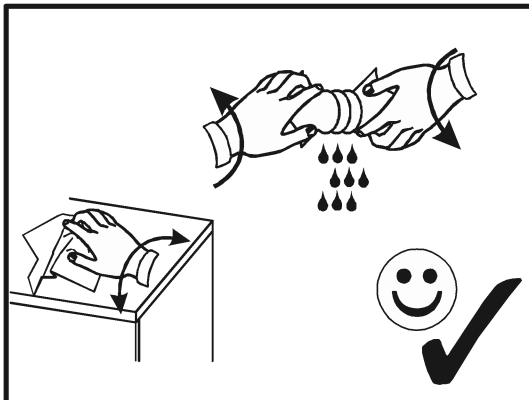
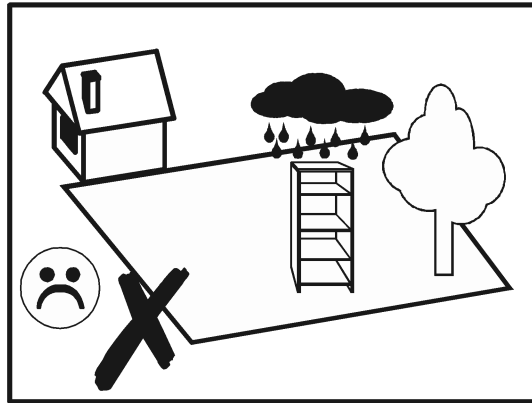
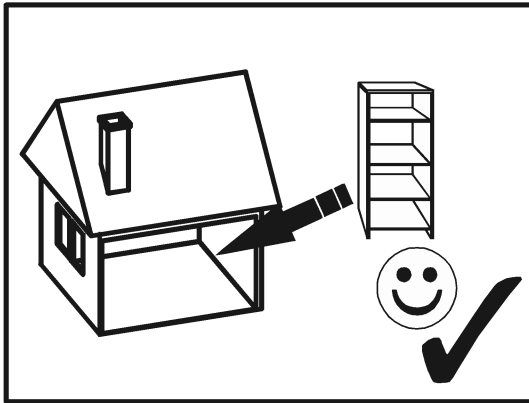
10
9
8
7
6
5
4
3
2
1
0

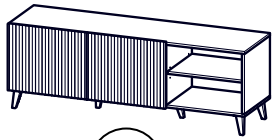


[1]

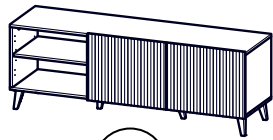


v 1.1

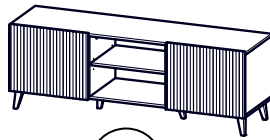




L

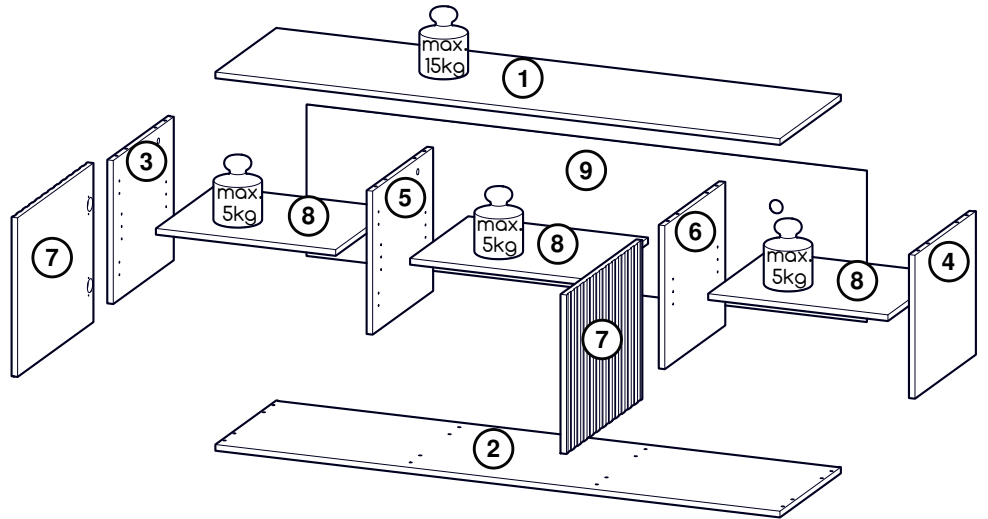


P



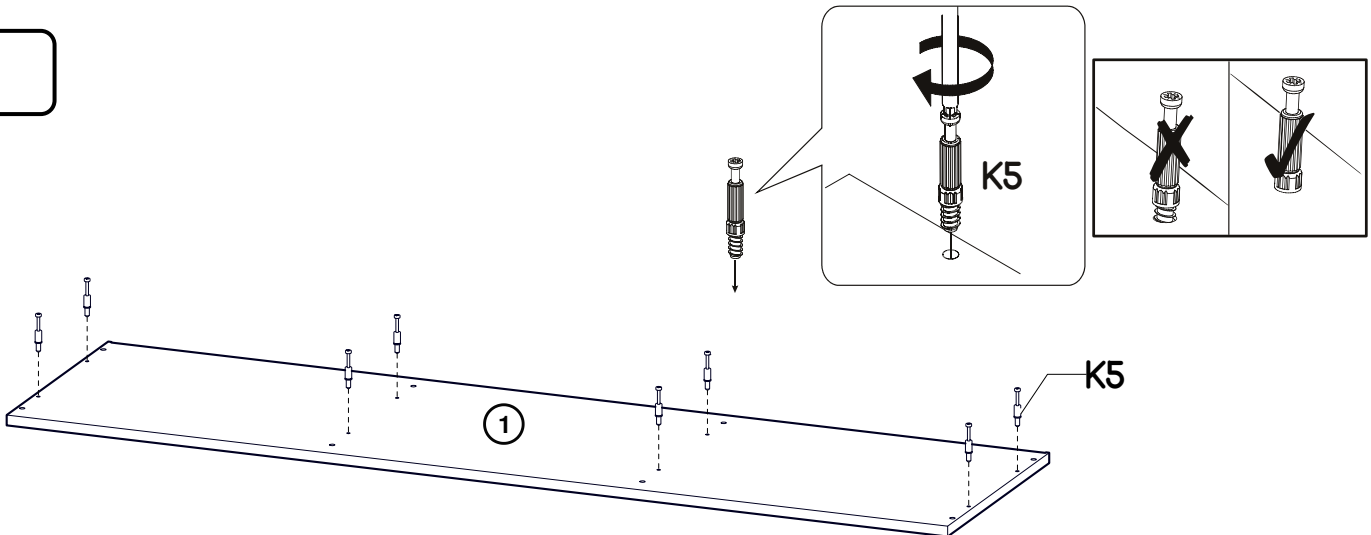
S

Nr	Xmm	Ymm	Zmm	x
1	1498	400	16	1
2	1498	400	16	1
3	369	400	16	1
4	369	400	16	1
5	369	397	16	1
6	369	397	16	1
7	498	409	16	2
8	477	382	16	3
9	1486	389	2,5	1

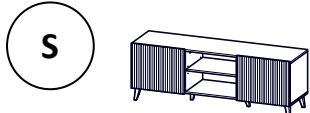
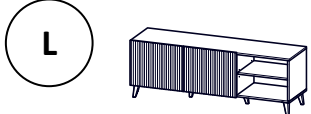
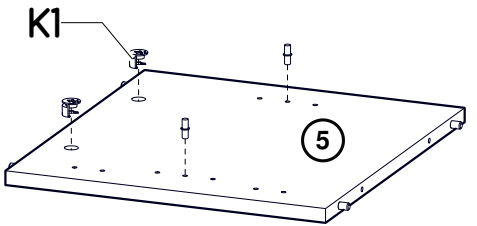
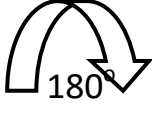
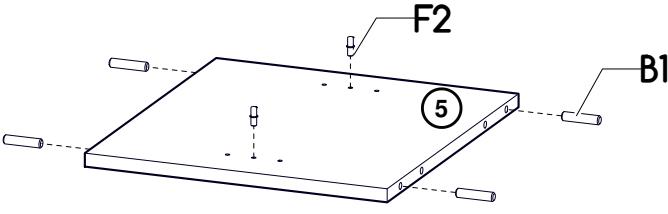
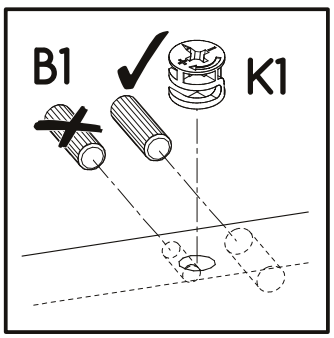
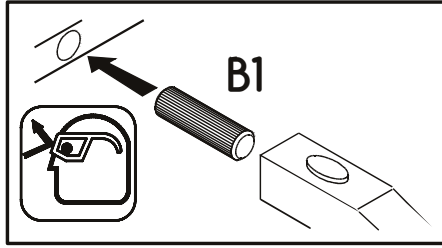
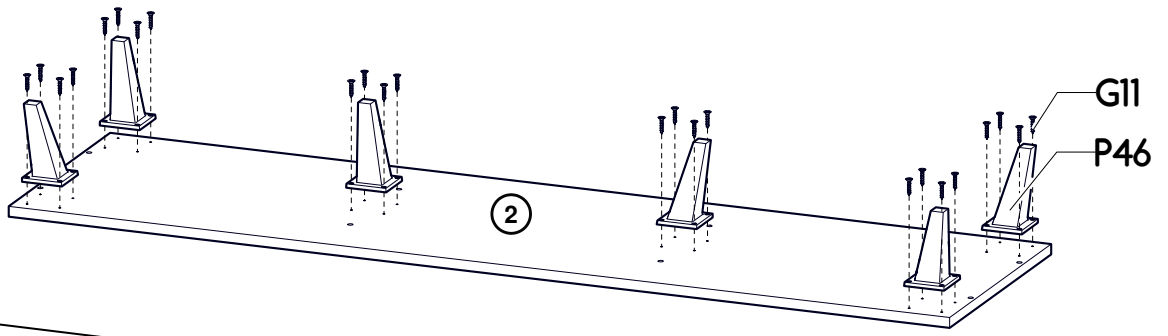


B1 16x Ø8x35	A1 8x Ø7x50	K1 8x Ø15x12	I20 8x Ø4/Ø17	K5 8x 34mm	G5 8x 4x13
D3 4x SOFT	C3 4x SOFT	G11 24x 4x20	P46 6x h120	W4 50x	F2 12x Ø5
W2 1x 4mm					

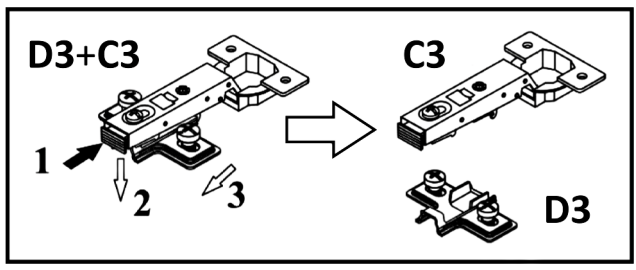
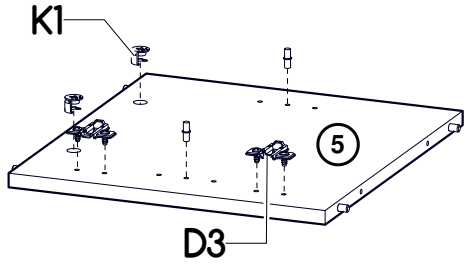
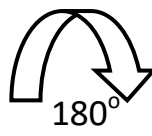
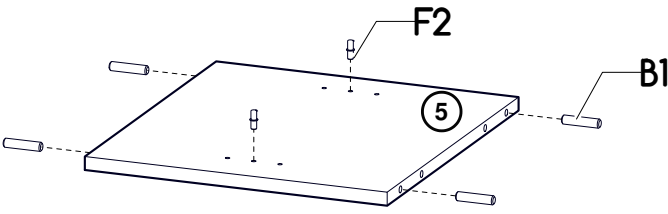
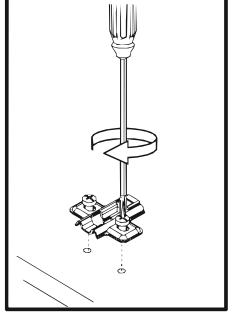
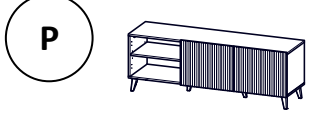
I

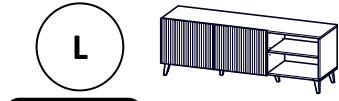
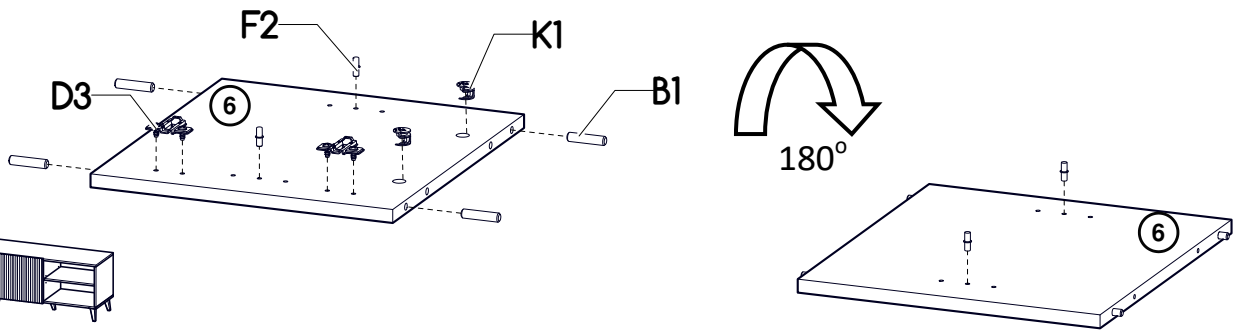


II

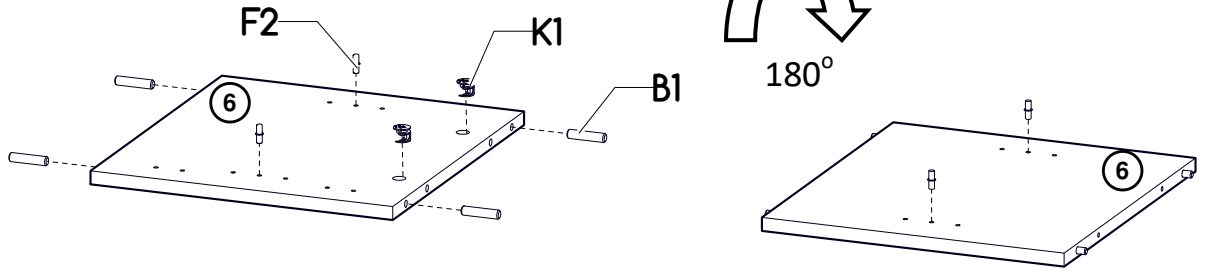
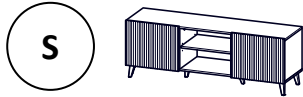
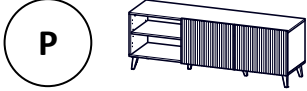


III

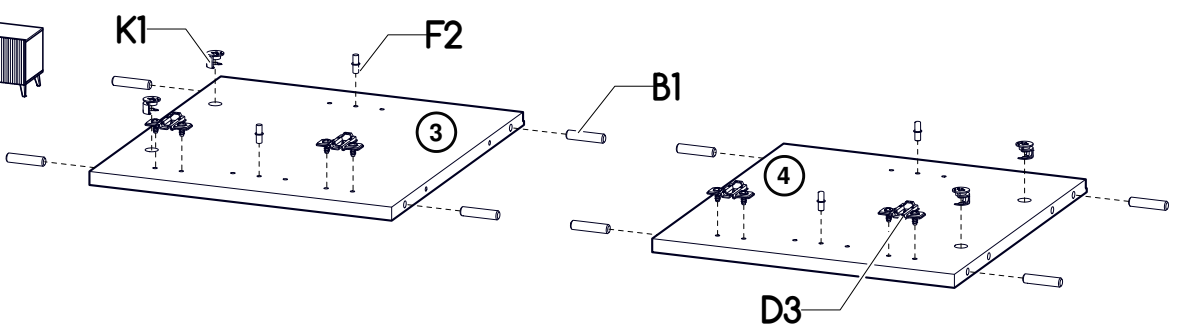
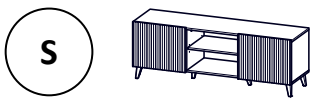
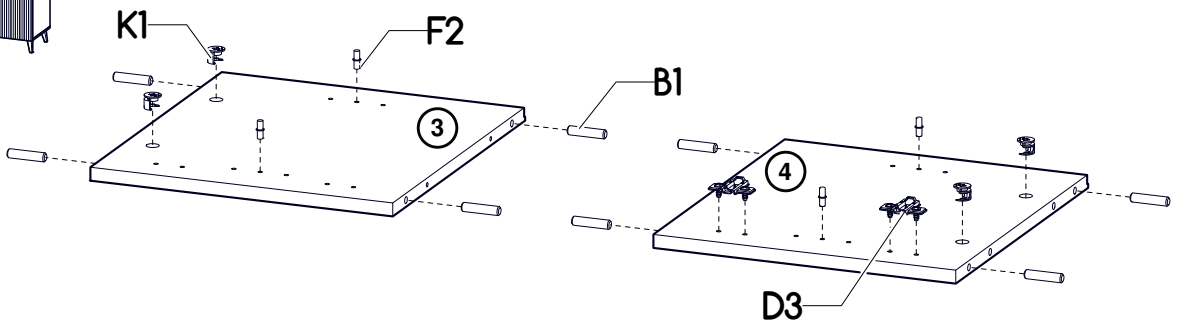
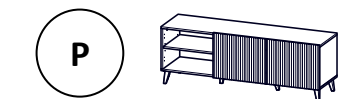
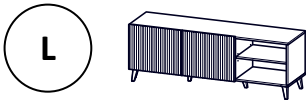
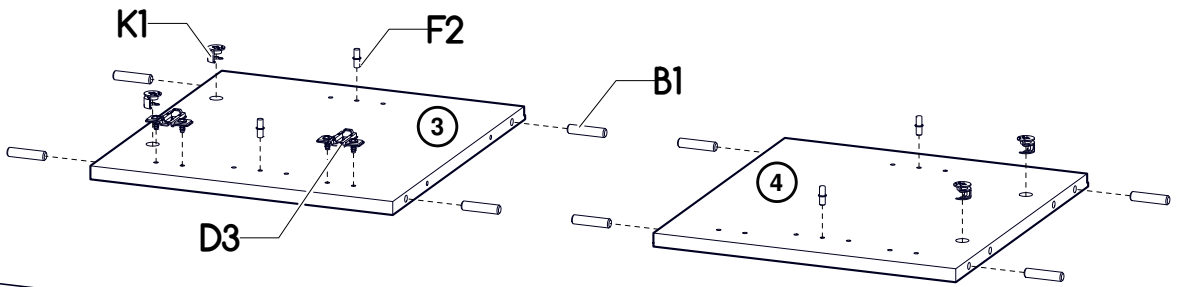




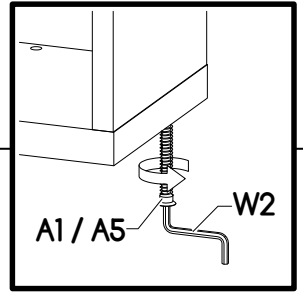
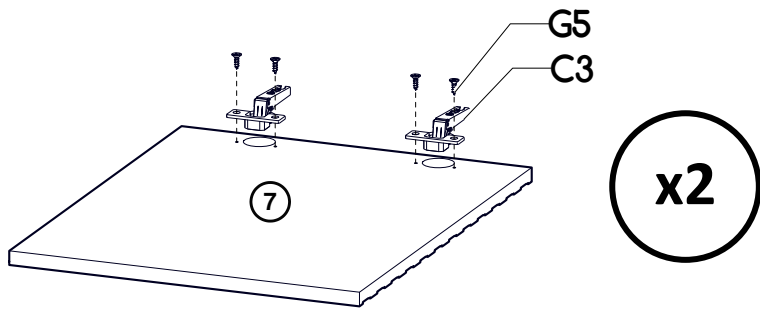
IV



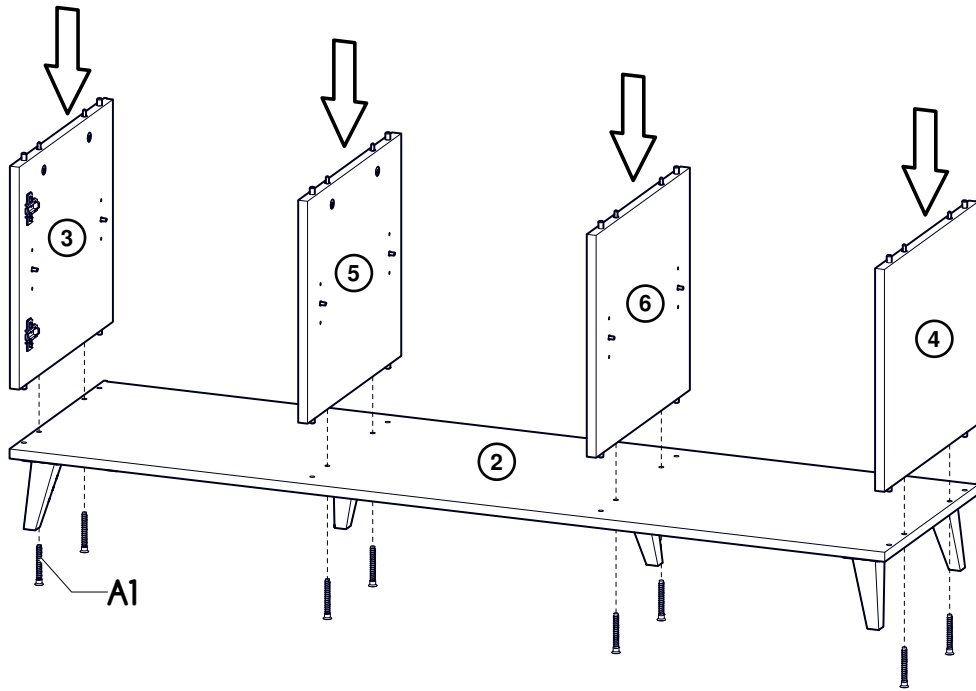
V



VI

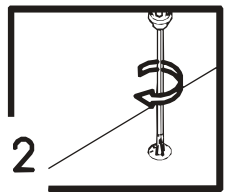
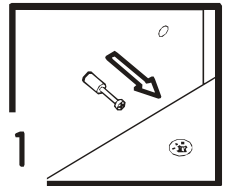
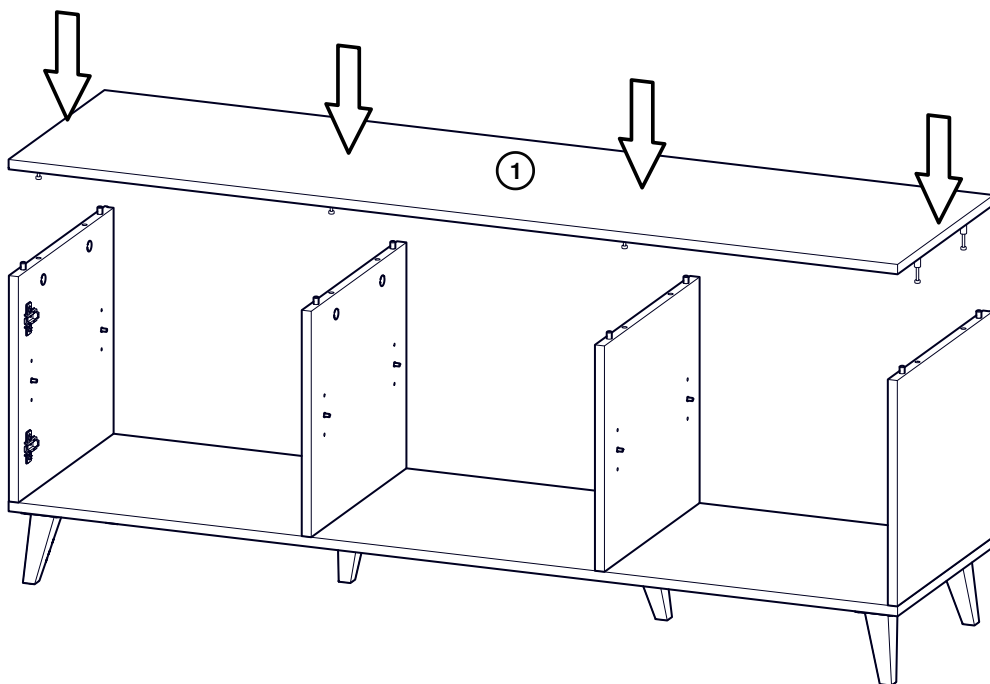


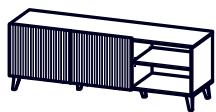
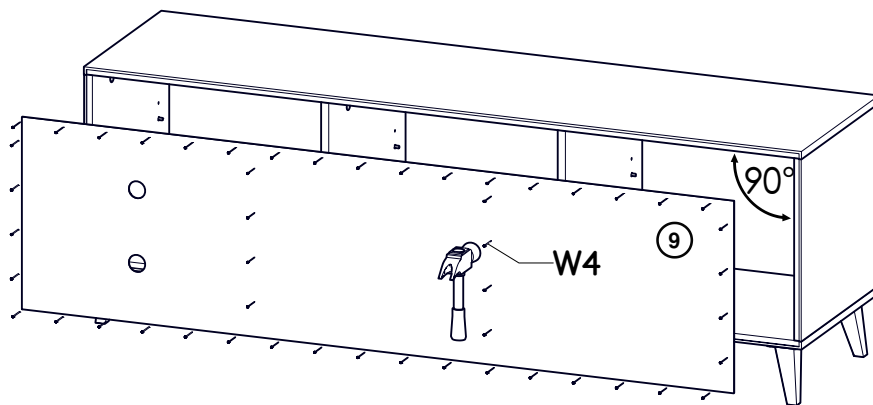
VII



i

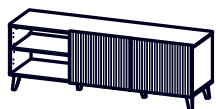
VIII



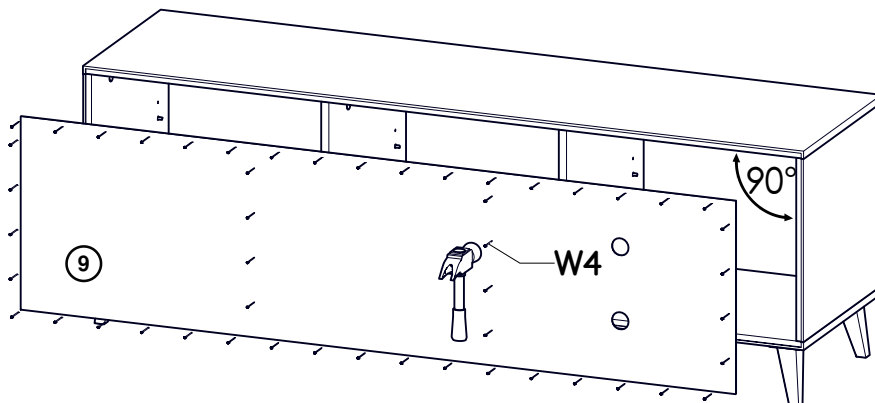


L

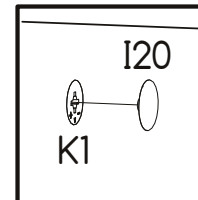
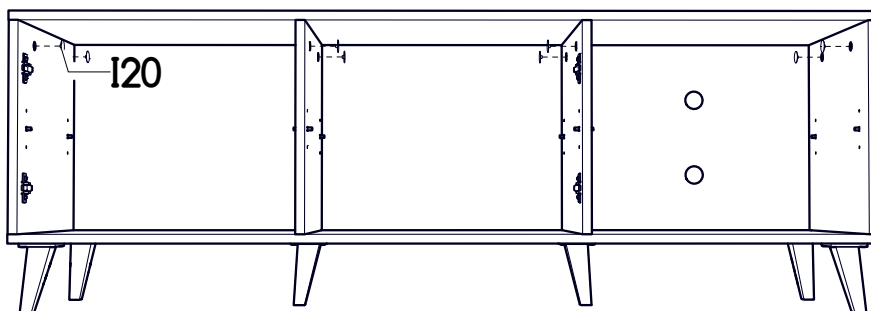
IX



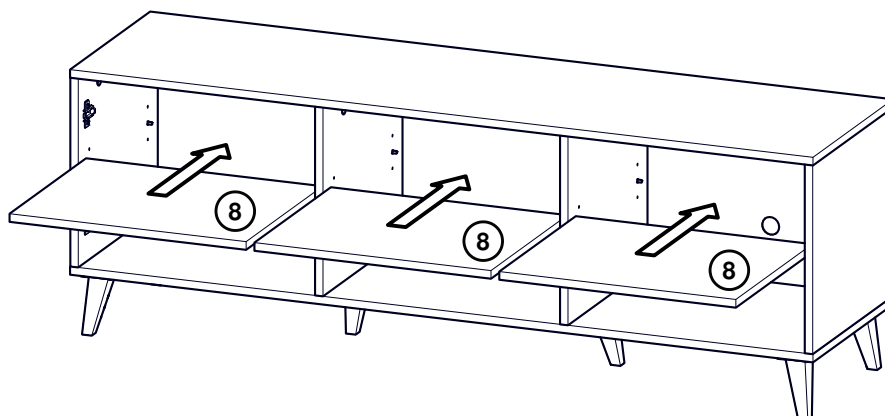
P



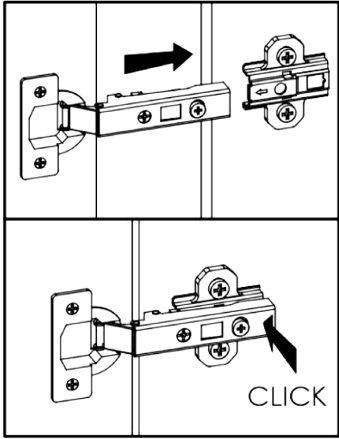
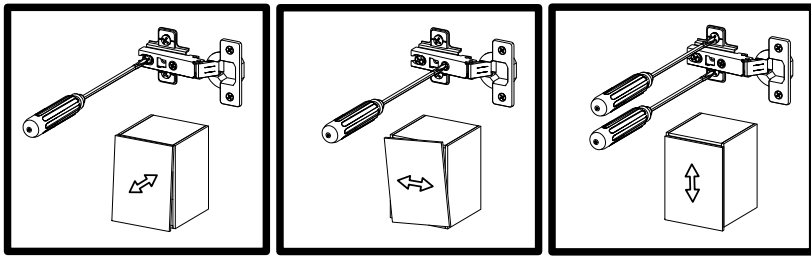
X



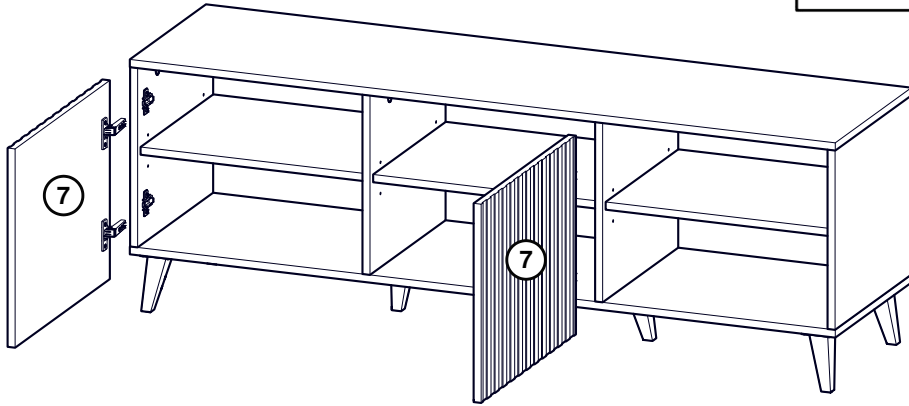
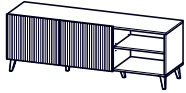
XI



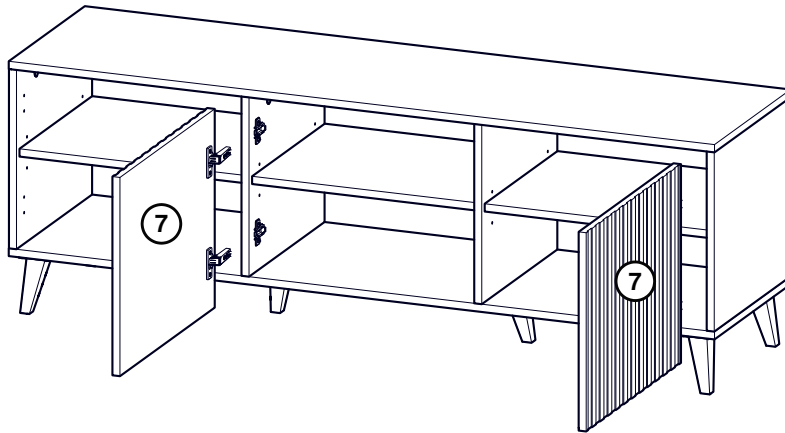
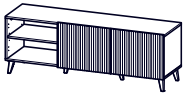
XII



L



P



S

