

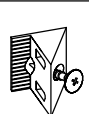

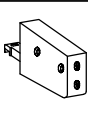







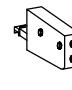


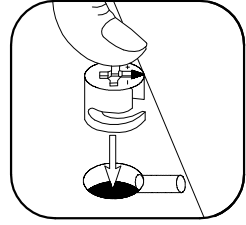
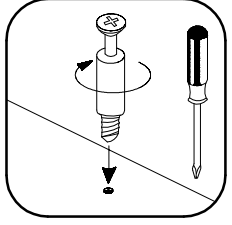
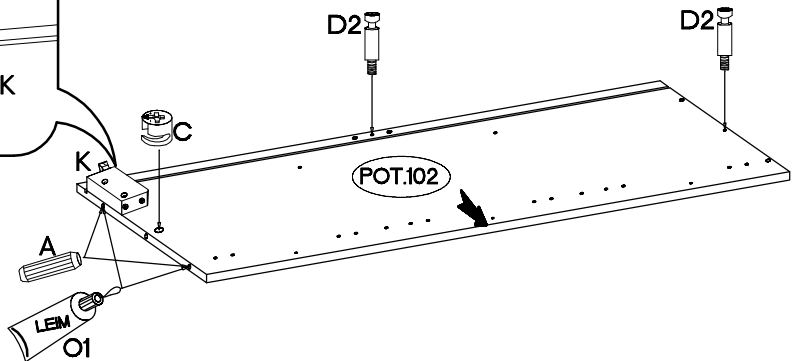
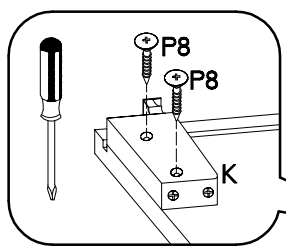
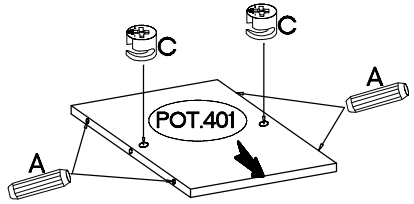
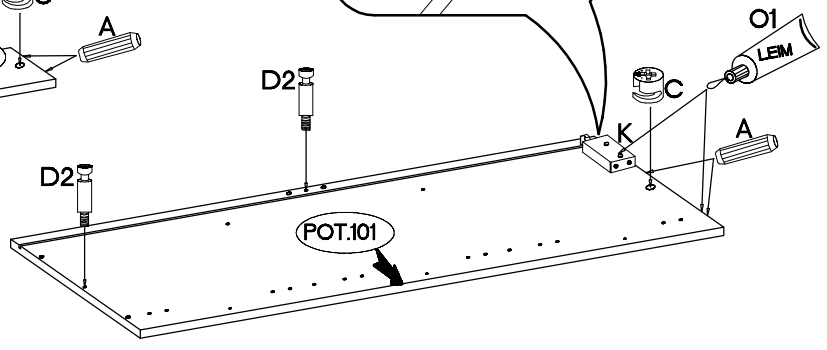
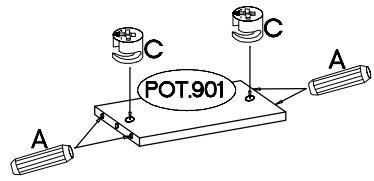
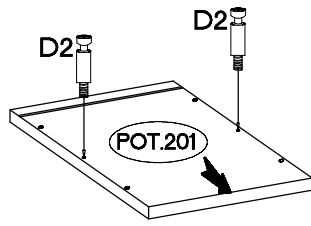
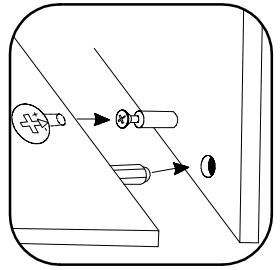
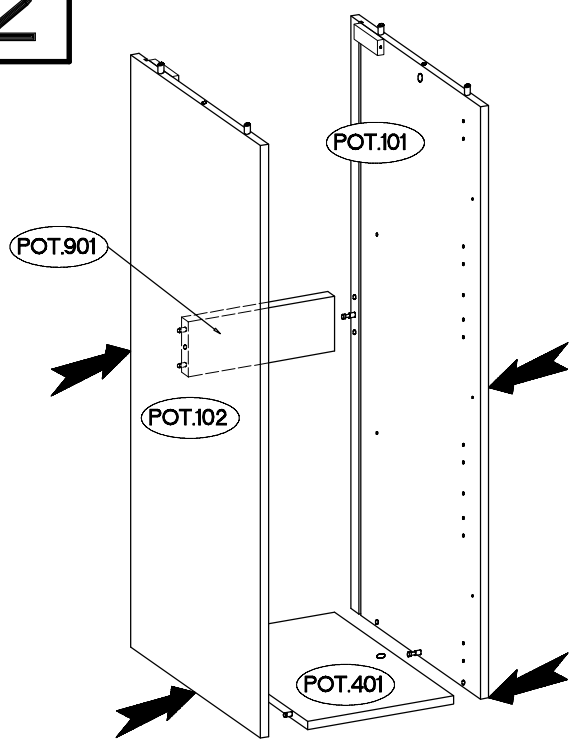
 L=20mm D2	 +15/12mm C	 +8x30mm A	 L	 O1	 K	 +4.0x30mm P8	 H=0 H	 +35/0mm G	 +3.5x13mm E
6	6	12	4	1	2	4	6	6	12

1

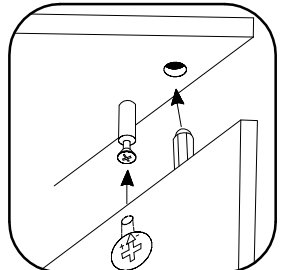
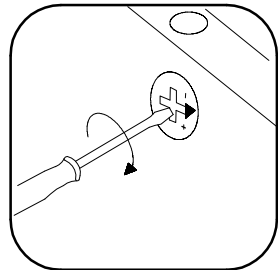
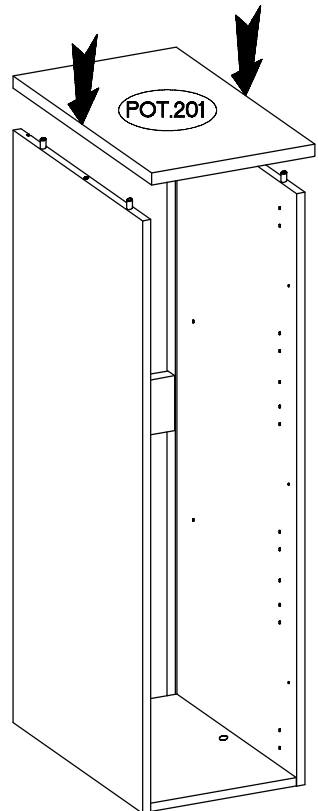
L=20mm  D2	#5/12mm  C	+8x30mm  A	 K	+4.0x30mm  P8	 O1
6	6	12	2	4	1



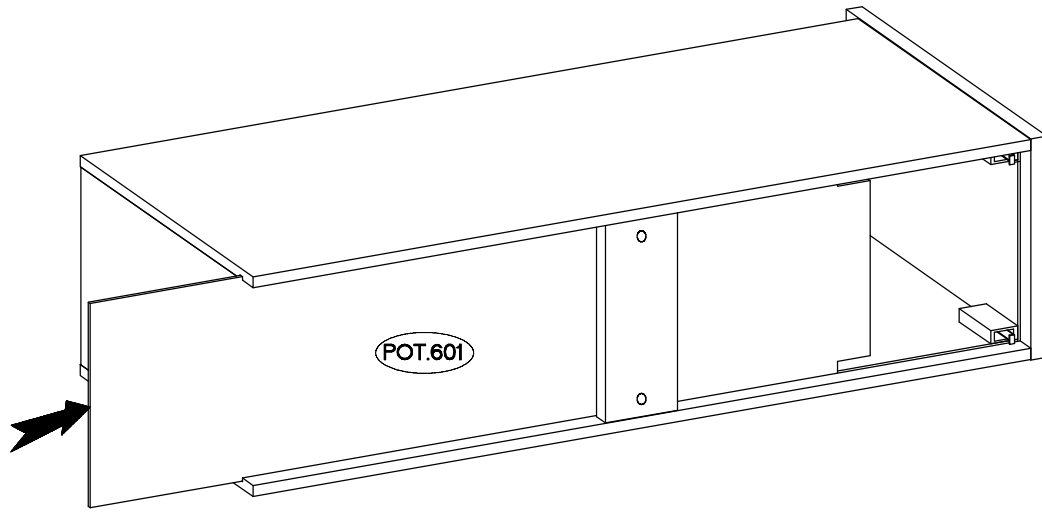
2



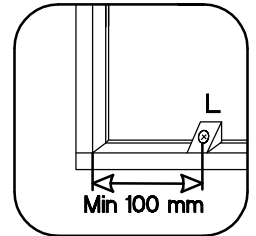
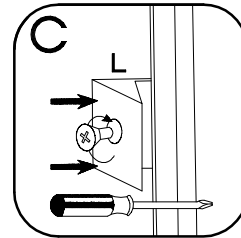
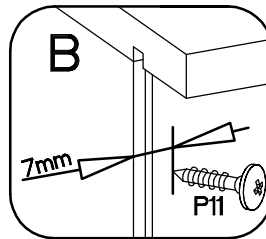
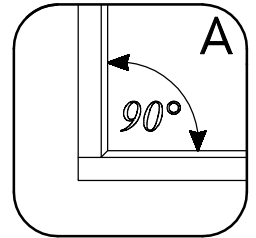
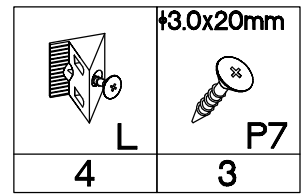
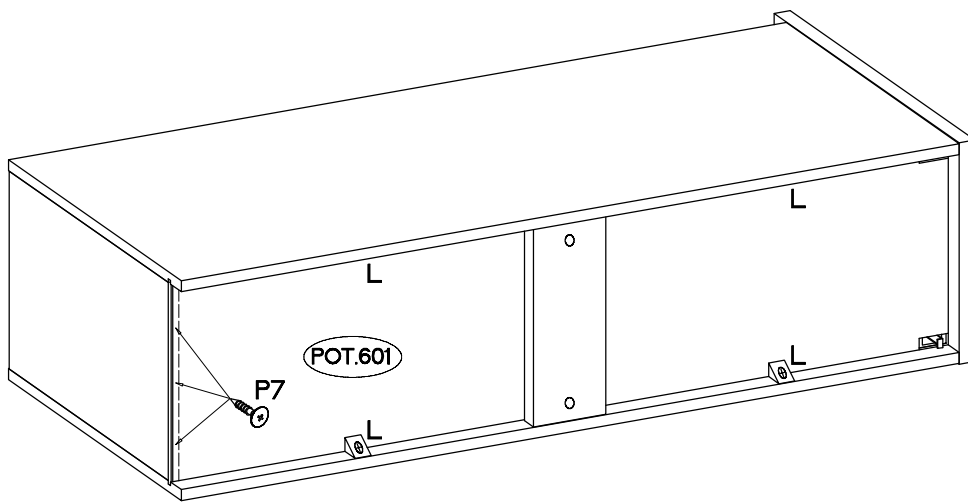
3



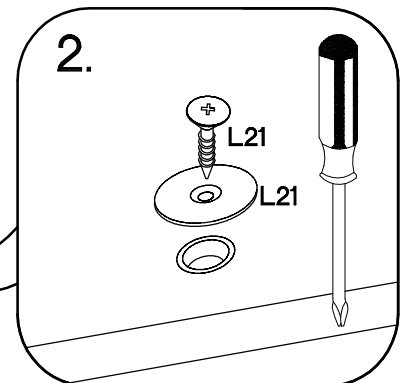
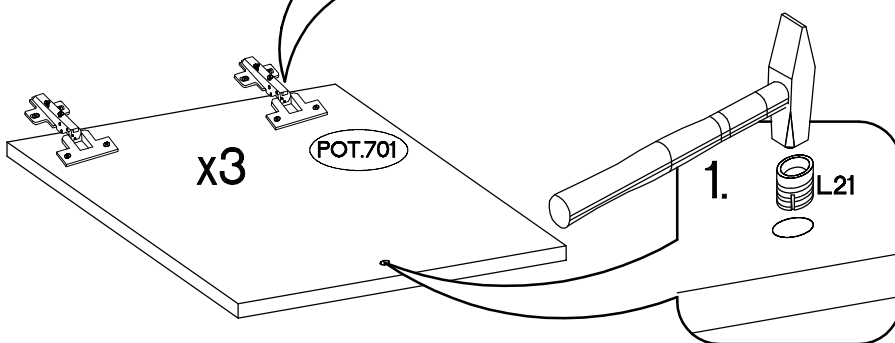
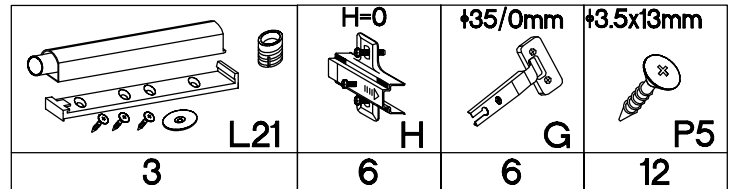
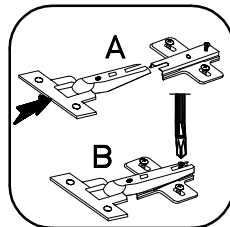
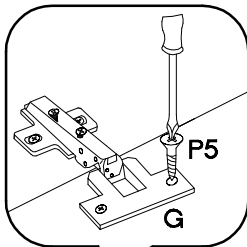
4



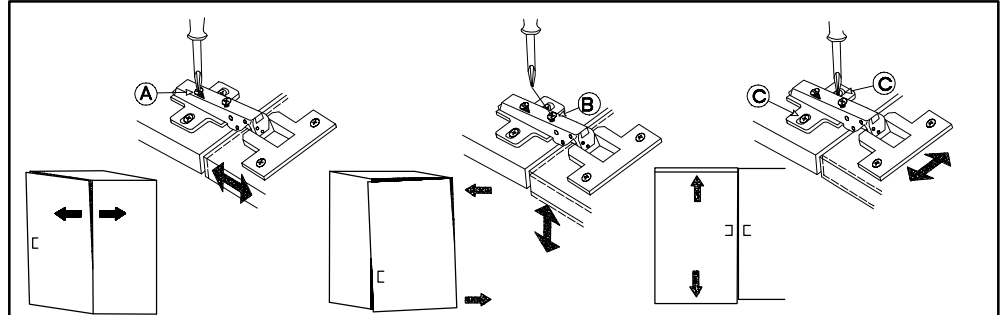
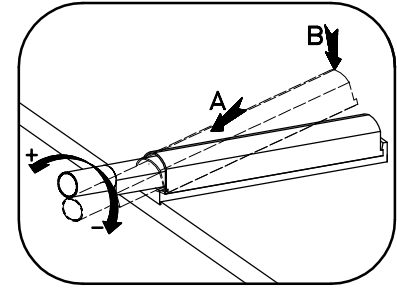
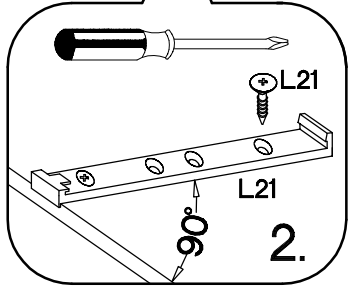
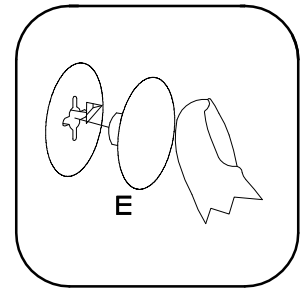
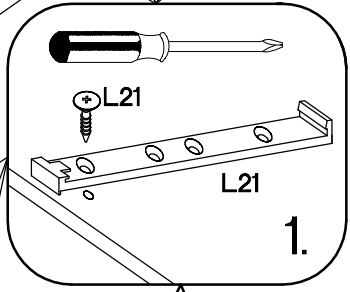
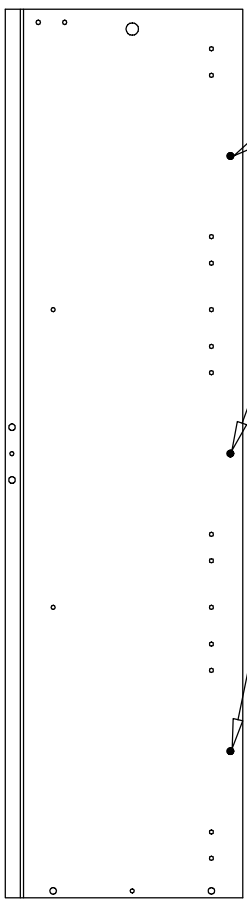
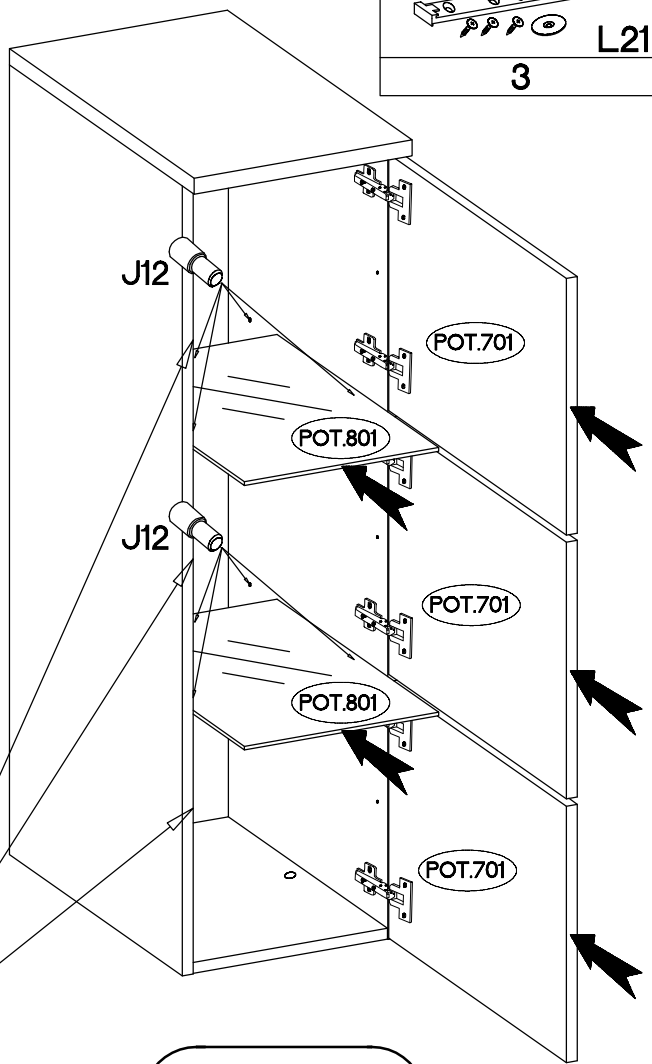
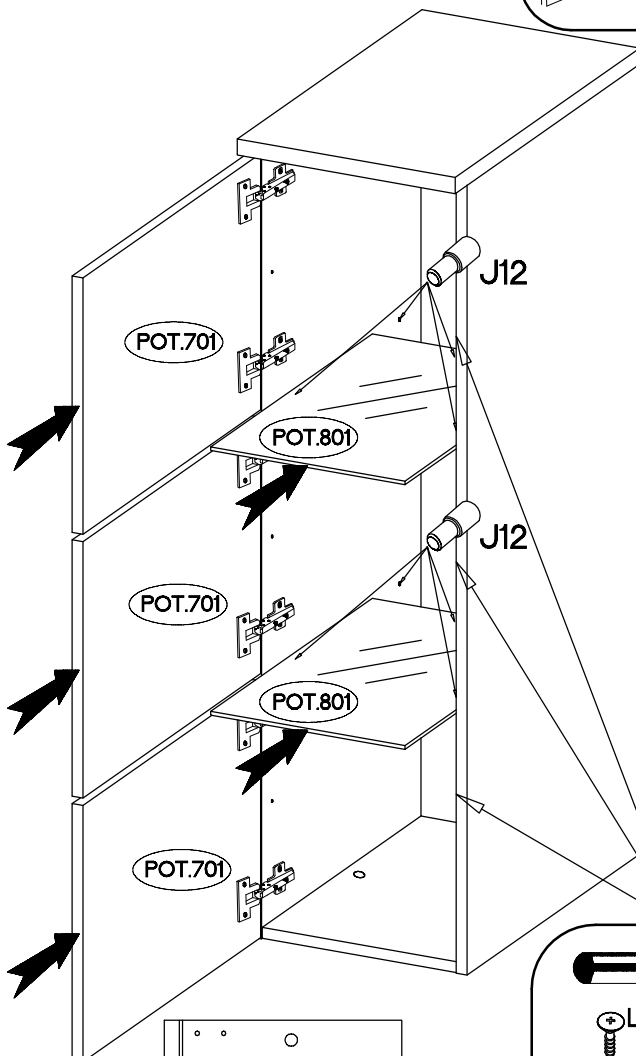
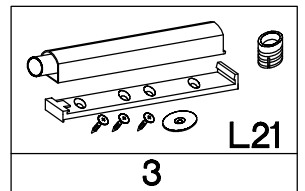
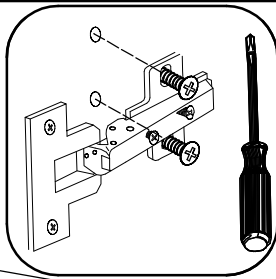
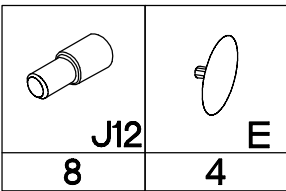
5

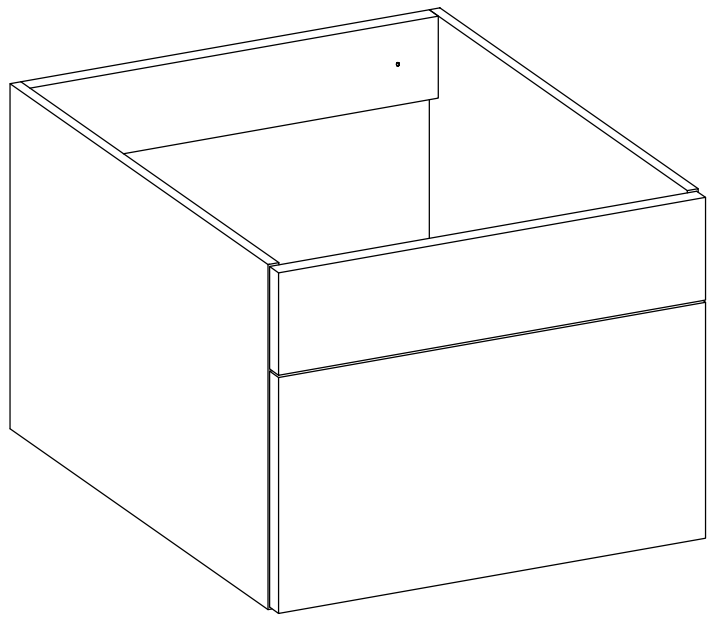



6

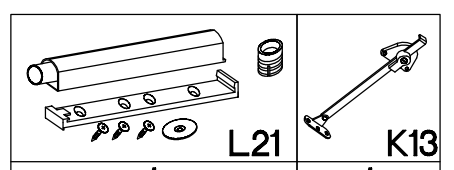
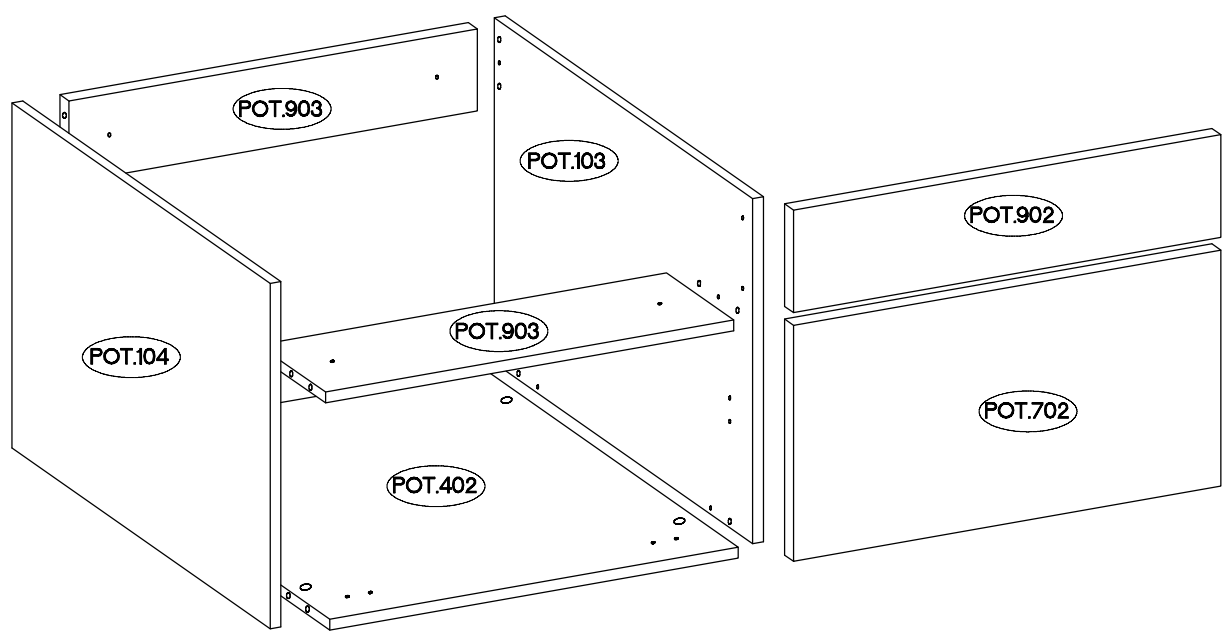


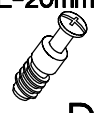

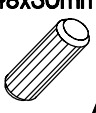
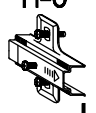
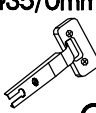





7











POT.402 =  max. 2kg

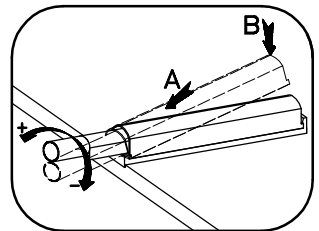
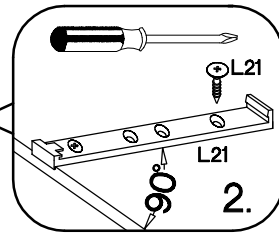
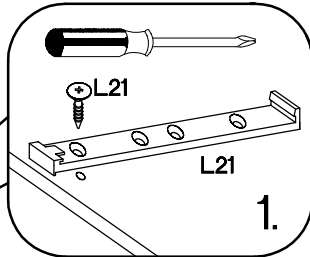
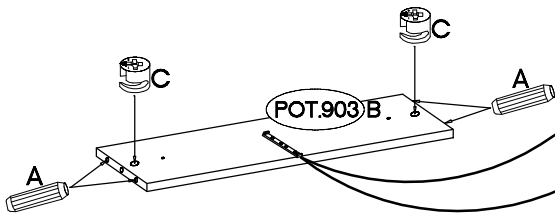
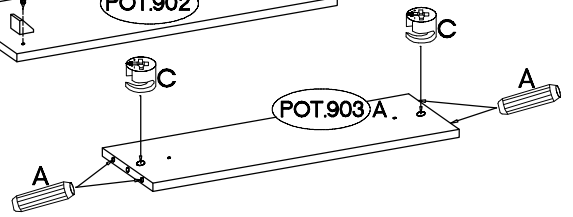
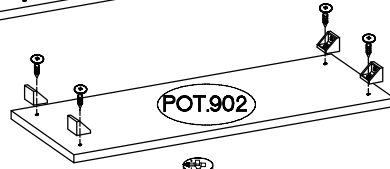
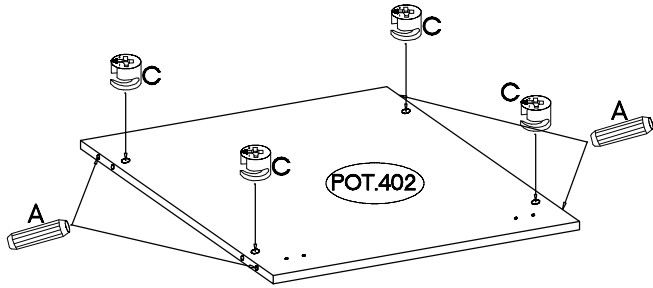
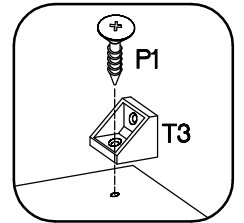
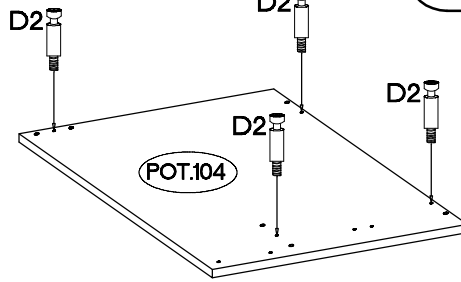
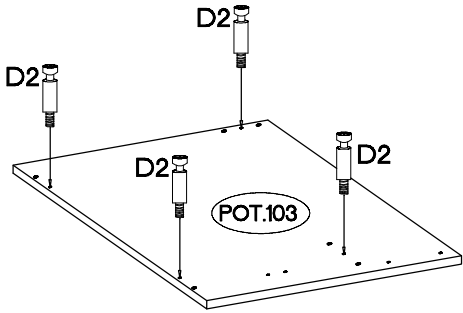
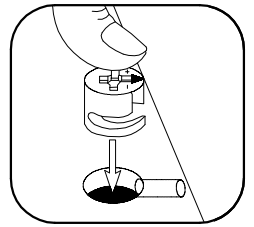
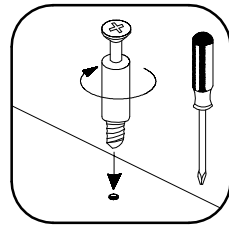


 L=20mm D2	 +15/12mm C	 +8x30mm A	 H=0 H	 +35/0mm G	 +3.5x13mm P5	 E	 T3	 +4.0x16mm P1	 +3.0x16mm P11
8	8	12	2	2	7	4	4	8	3

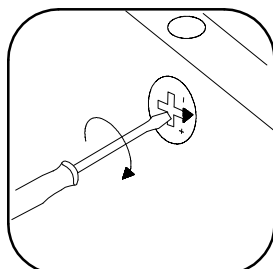
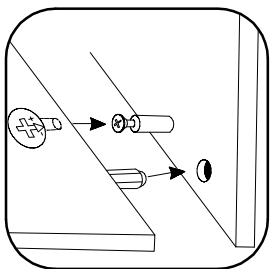
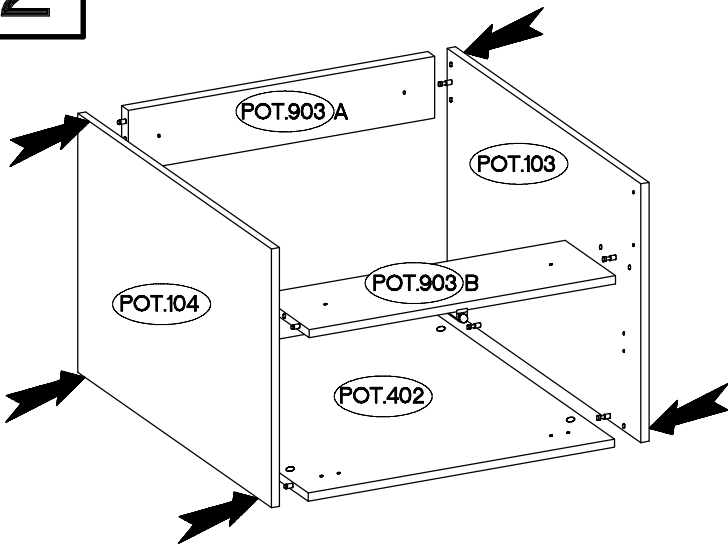
1	1
---	---

1

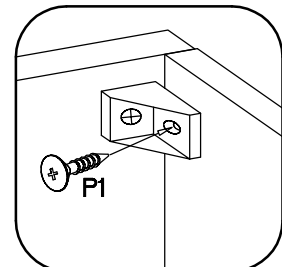
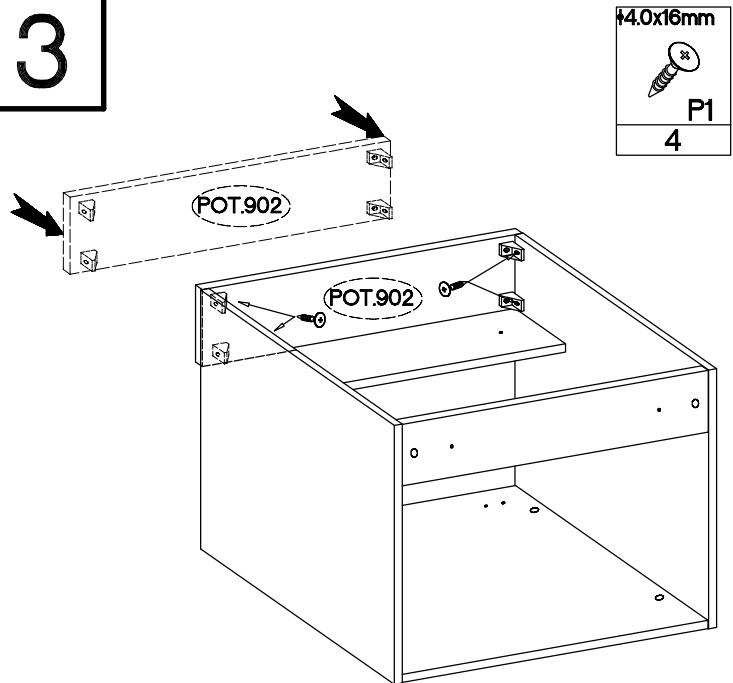
L=20mm 	∅15/12mm 	∅8x30mm 		∅4.0x16mm 	
D2 8	C 8	A 12	T3 4	P1 4	L21 1



2



3



4

±35/0mm



G

2

H=0

±3.5x13mm



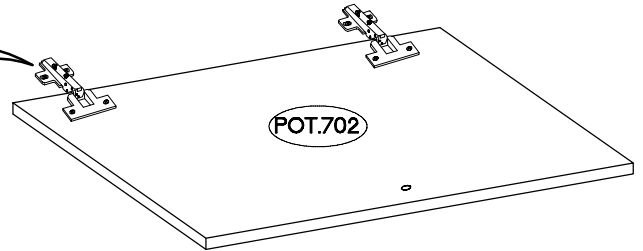
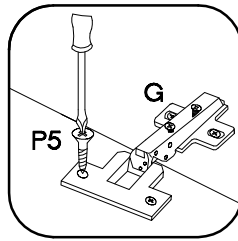
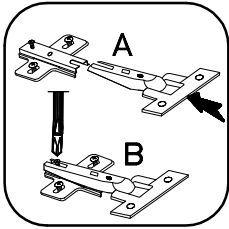
H



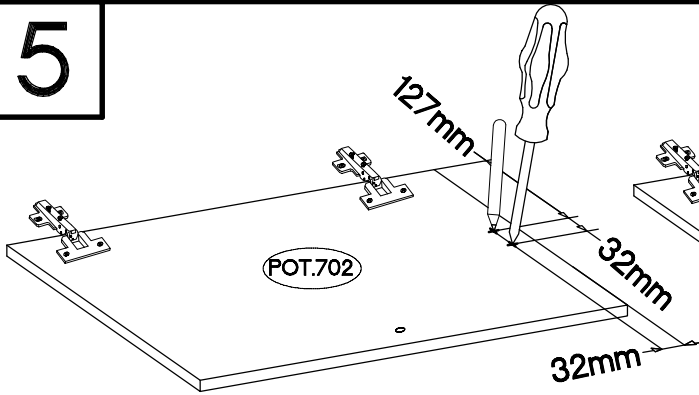
P5

2

4



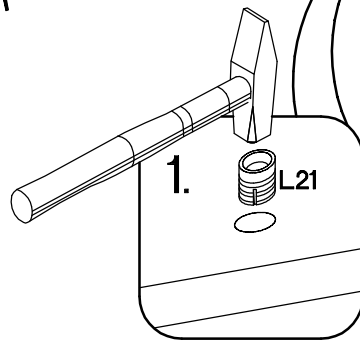
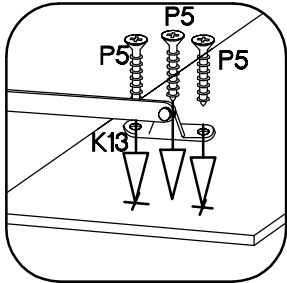
5



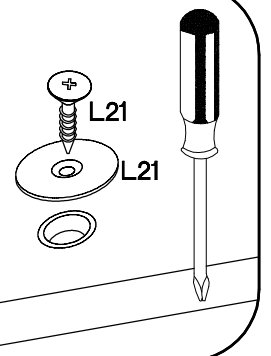
K13

P5

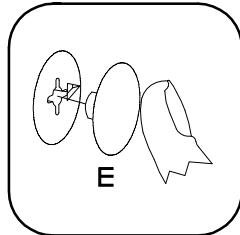
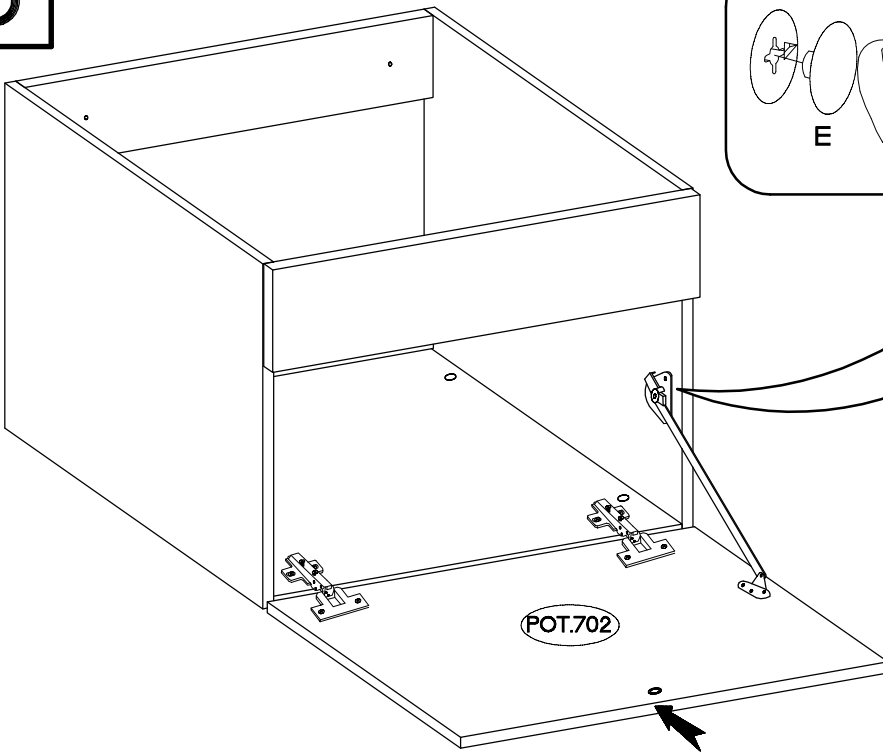
	±3.5x13mm
K13	P5
1	3
1	L21



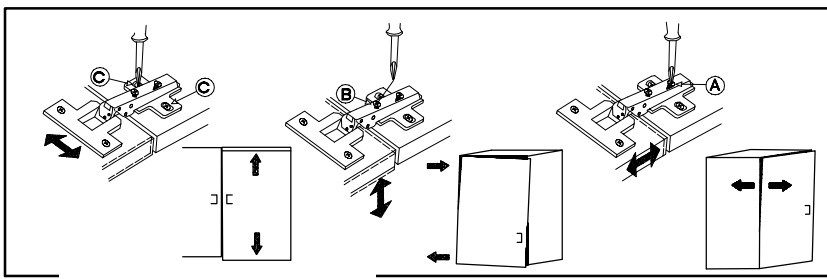
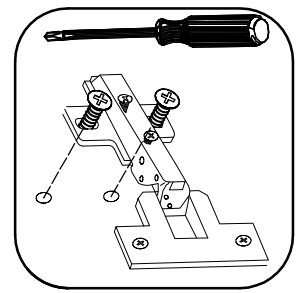
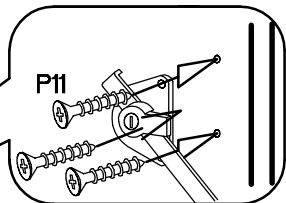
2.

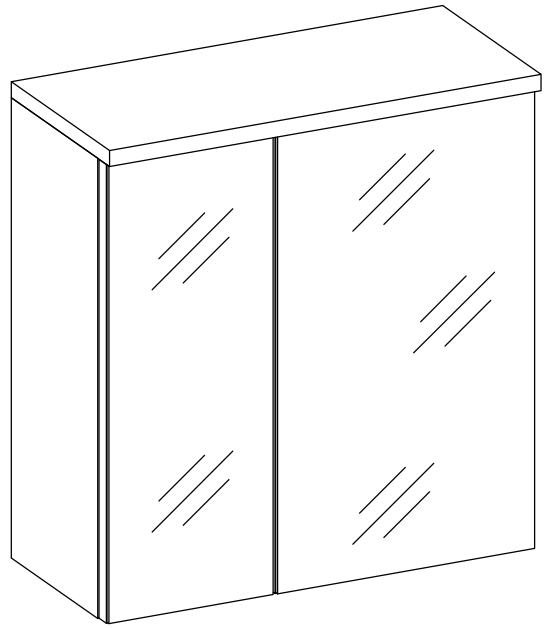



6

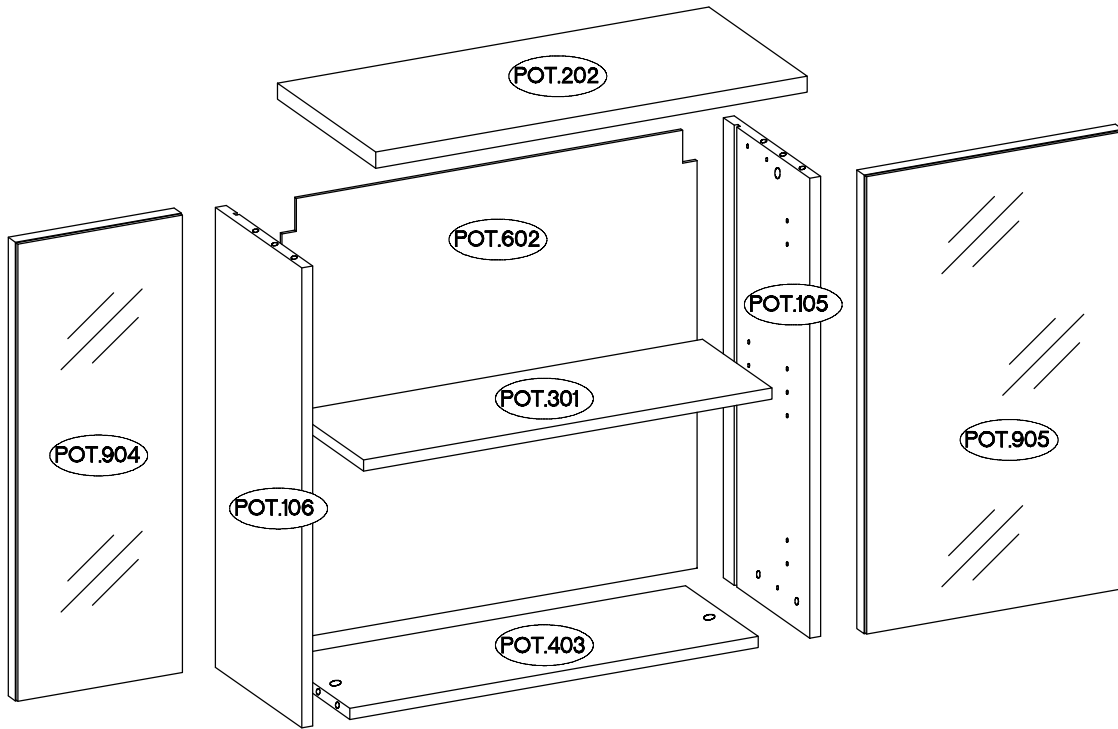



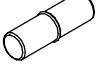




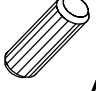


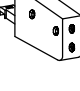

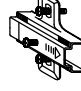
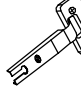

±3.0x16mm	
P11	E
3	4






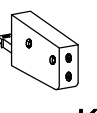




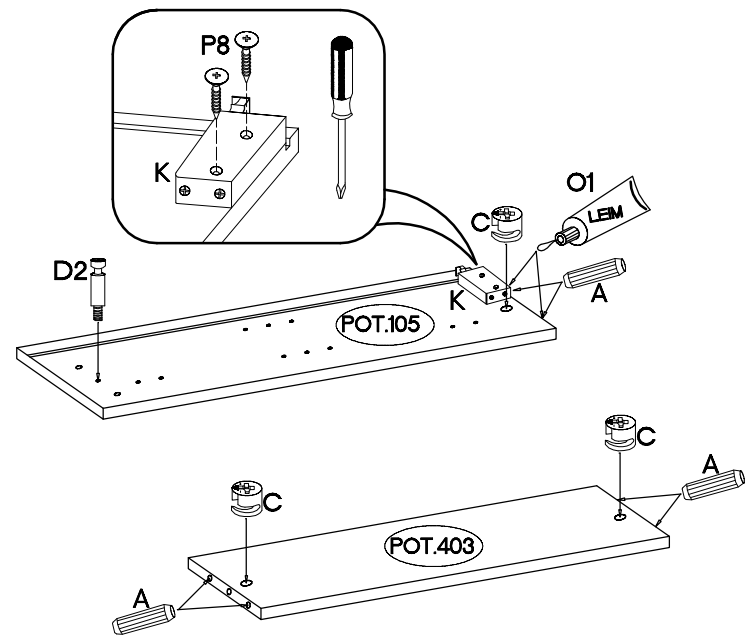
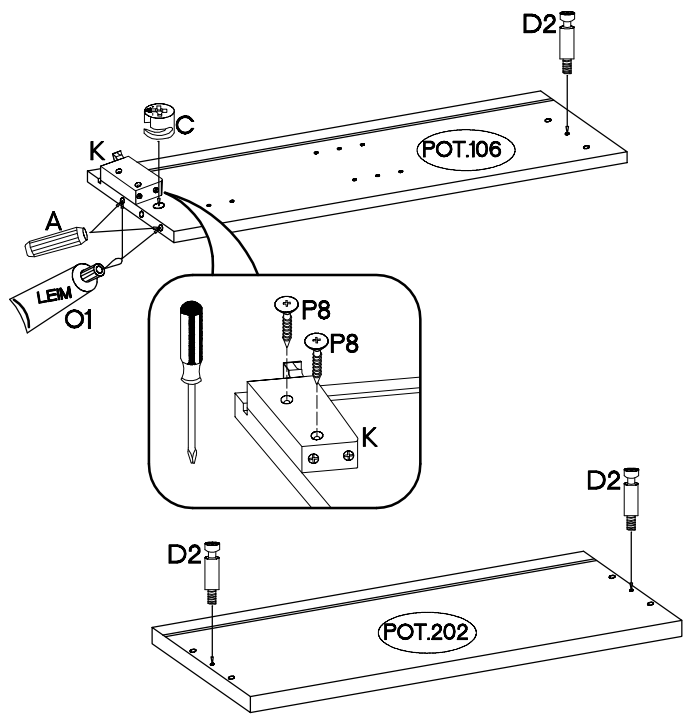
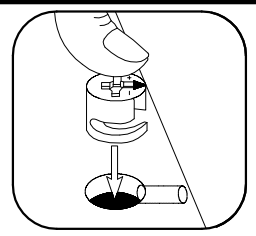
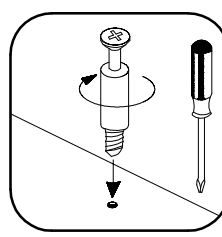
POT.301 , POT.403 =  max. 2kg



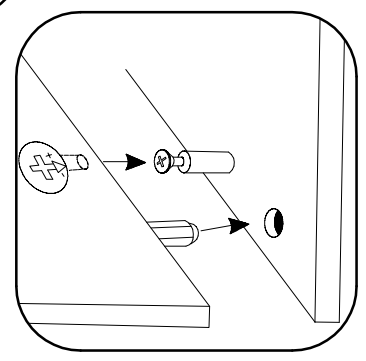
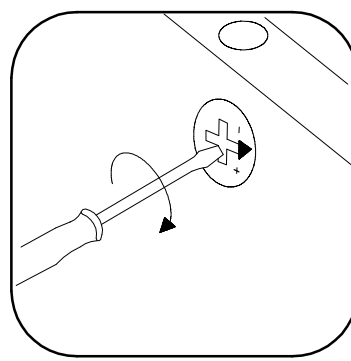
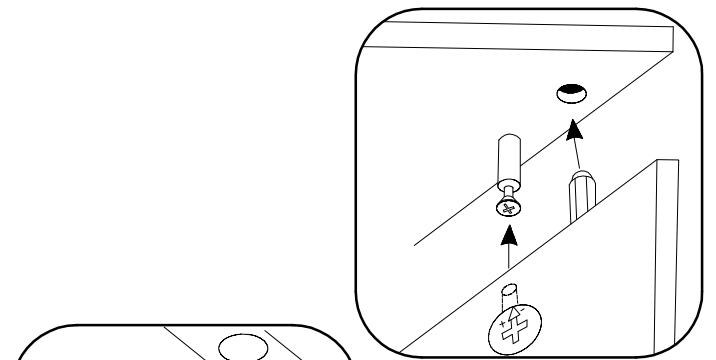
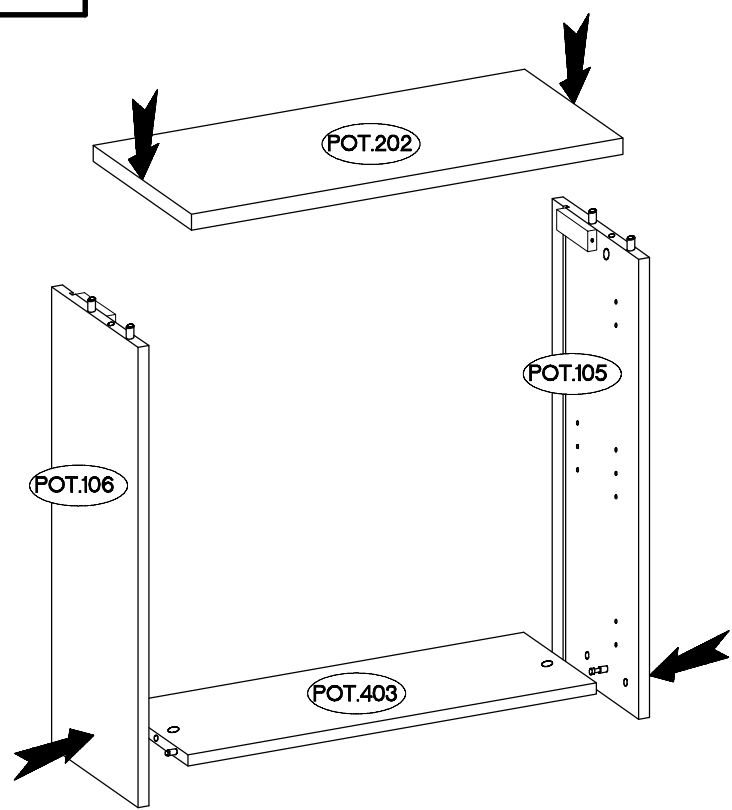
						 J5 2	 J3 4	 P7 4	 E 4
L=20mm  D2 4	+15/12mm  C 4	+8x30mm  A 8	 L 5	 O1 1	 K 2	+4.0x30mm  P8 4	H=0  H 4	+35/0mm  G 4	+3.5x13mm  P5 8

1

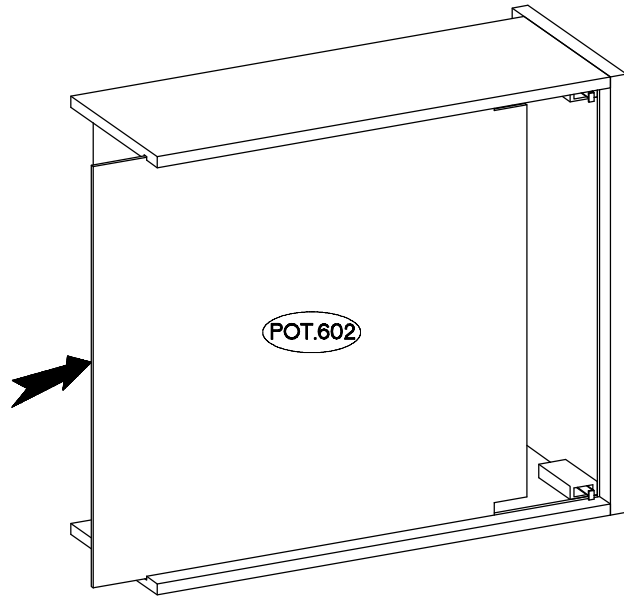
L=20mm  D2	±15/12mm  C	±8x30mm  A	 K	±4.0x30mm  P8	 O1
4	4	8	2	4	1



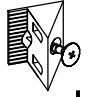

2

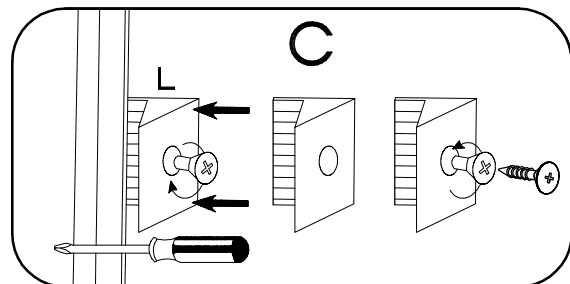
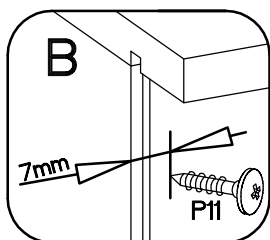
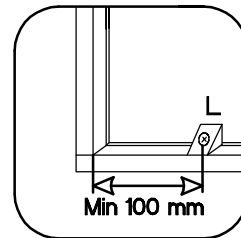
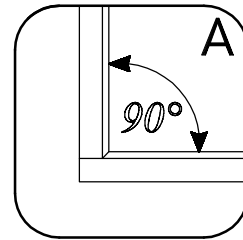
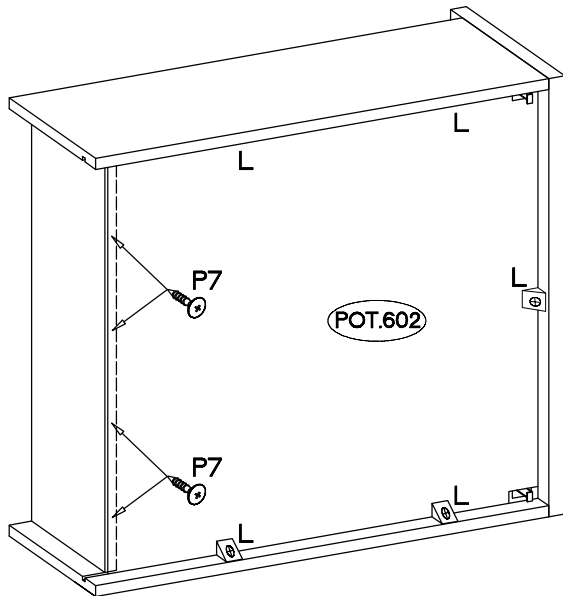


3






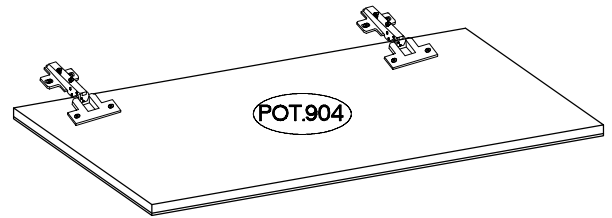
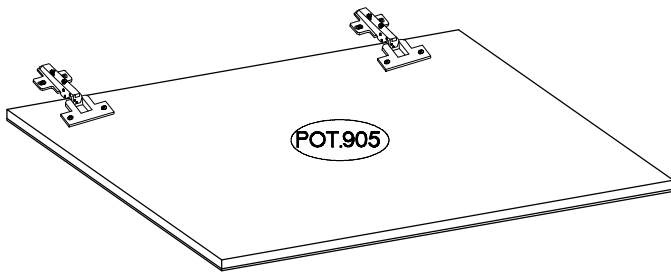
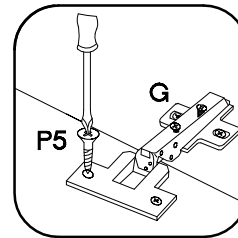
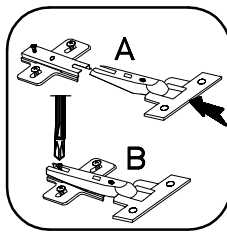
4

	$\pm 3.0 \times 20 \text{ mm}$
5	
	4

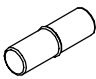
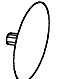



5

H=0  H	+35/0mm  G	+3.5x13mm  P5
4	4	8



6

+5/16mm  J3	 E
4	4
+7/2mm  J5	
2	

