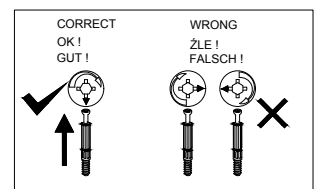
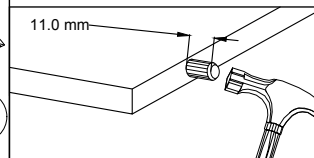
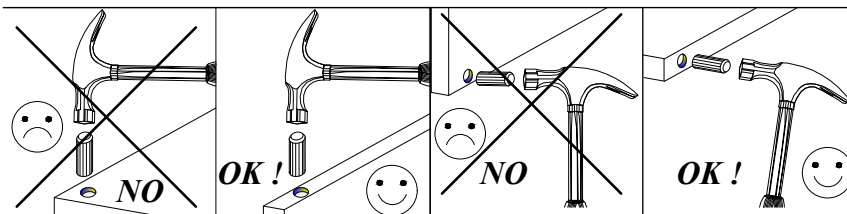
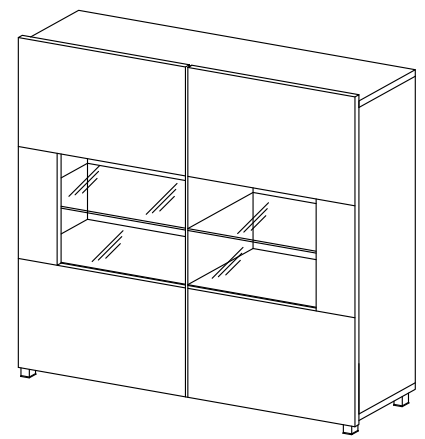
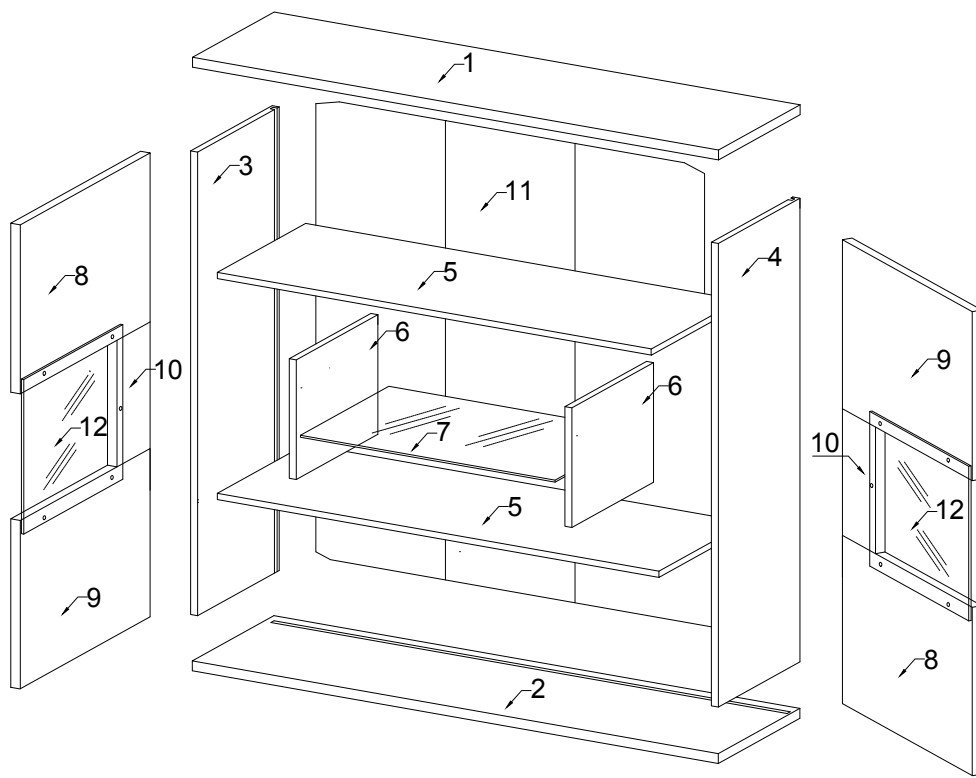
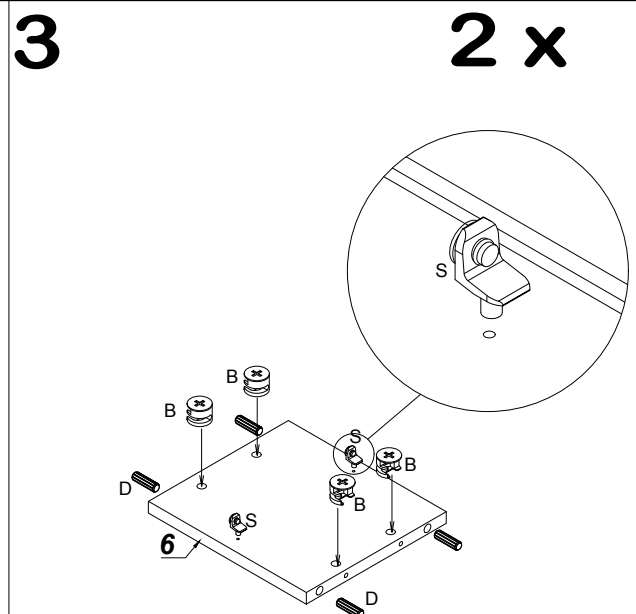
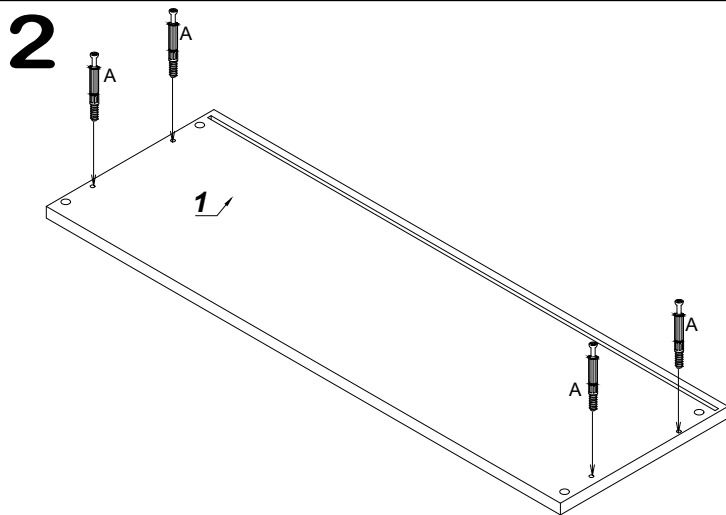
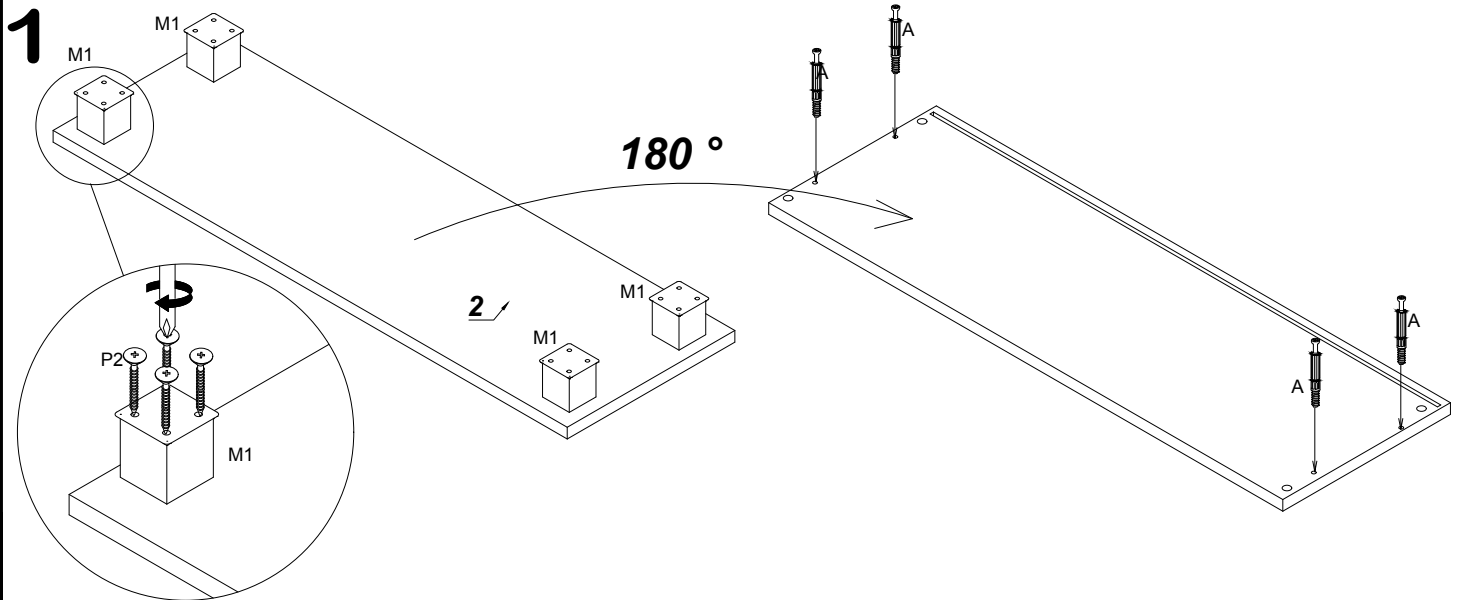


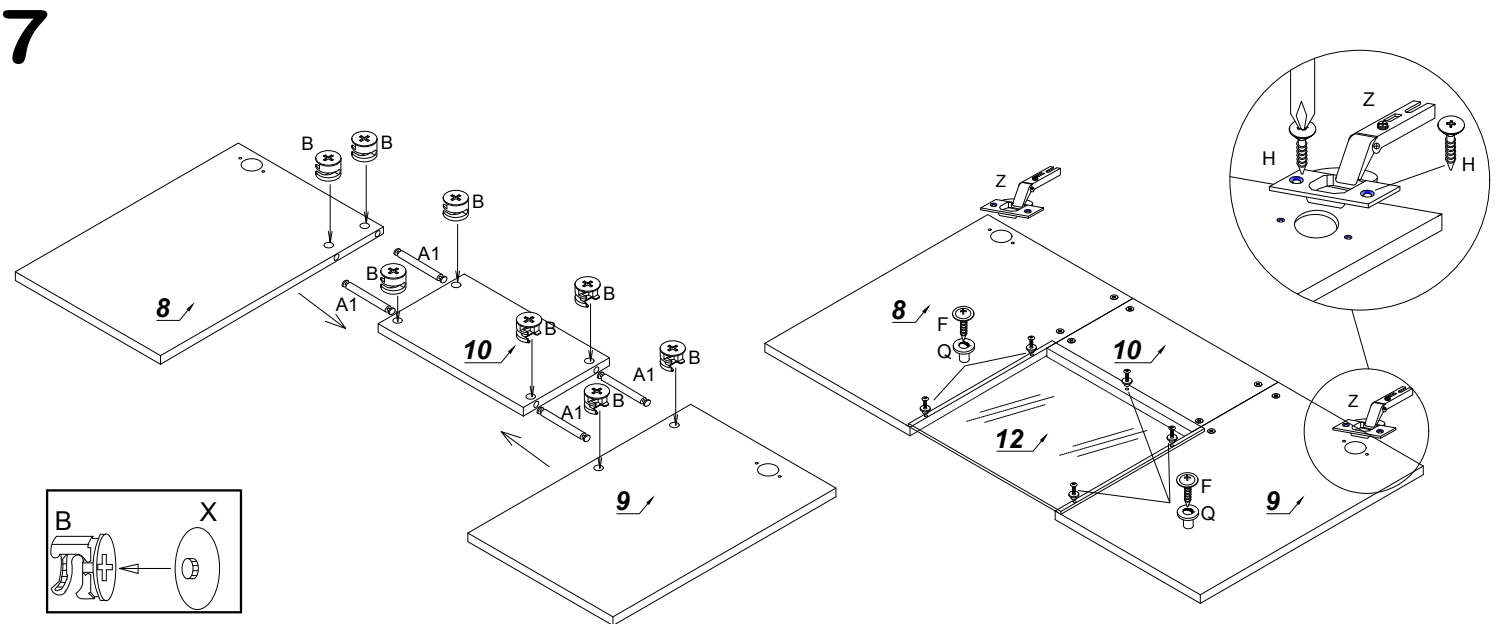
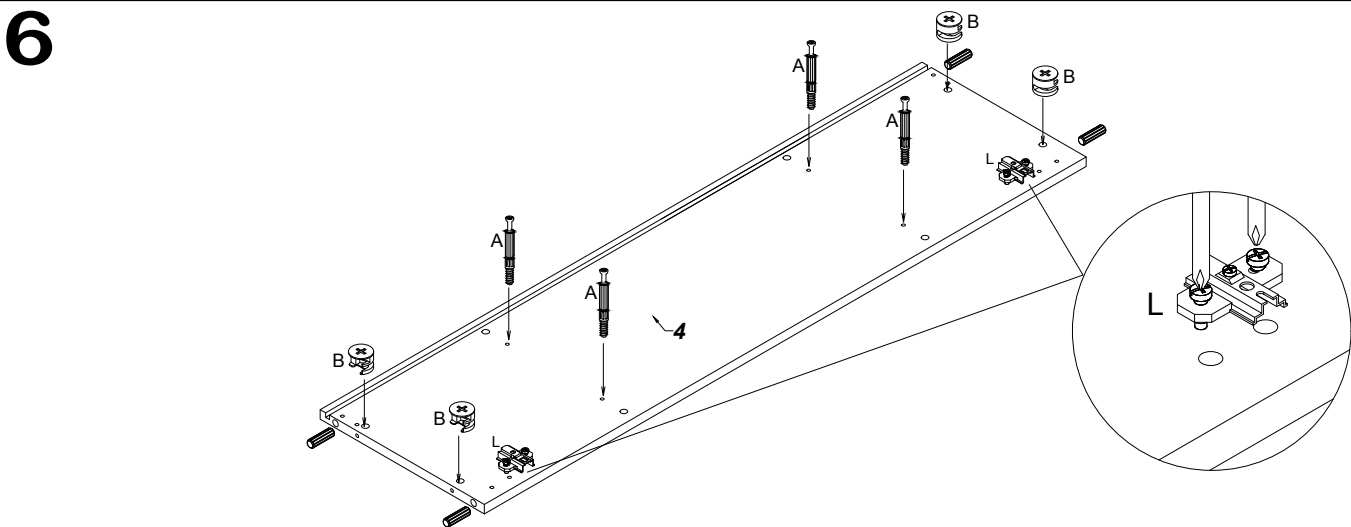
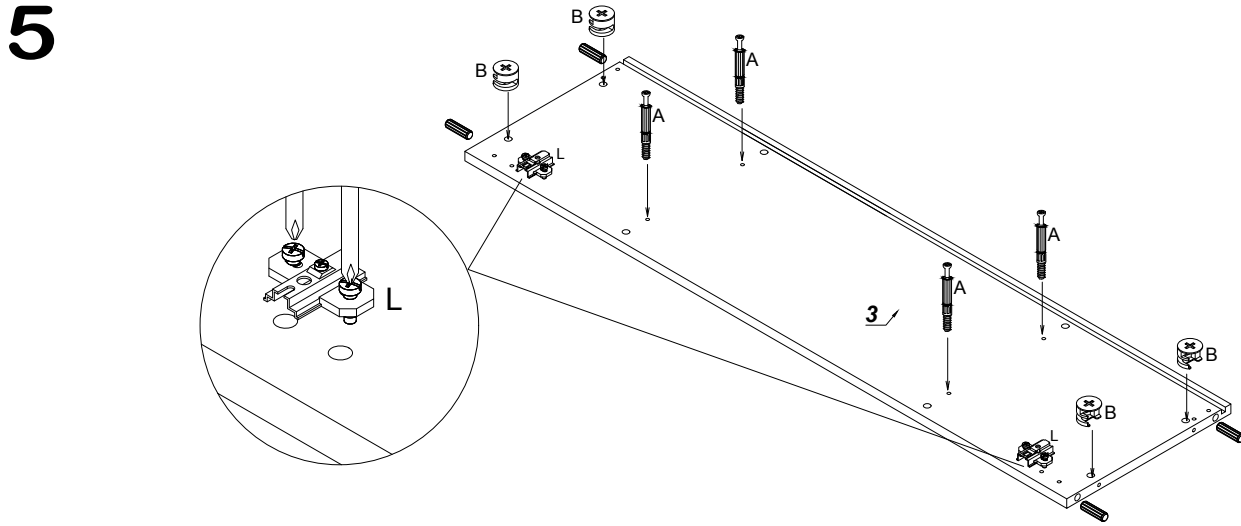
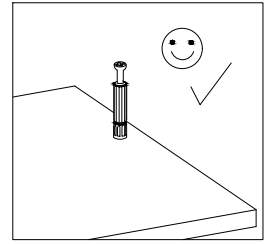
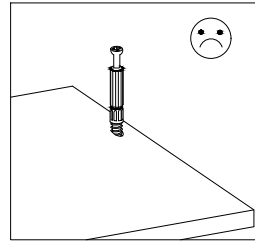
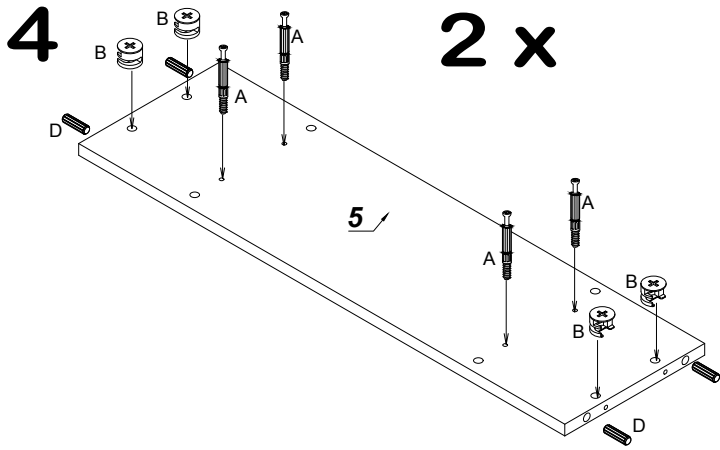
8.0x35  D 24	3.5x16  F 10	 Q 10	 A 24	 B 24	3.5x16  H 8	 I 10	 L 4	 Z 4
 X 24	 M1 4	4.0x40  P2 16	 S 4	 A2 8	 1 1			



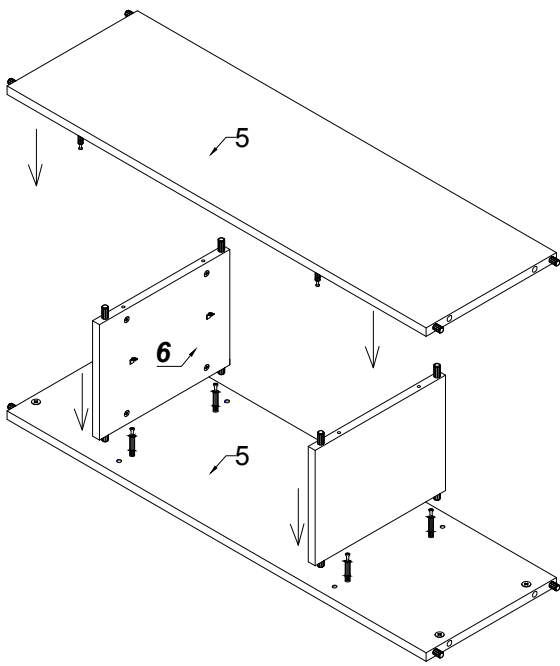


No.	Stc.	L	W	T
1	1	1000	330	16
2	1	1000	330	16
3	1	968	330	16
4	1	968	330	16
5	2	968	300	16
6	2	360	300	16
7	1	598	300	5
8	2	496	340	15
9	2	496	340	15
10	2	350	200	15
11	1	982	982	3
12	2	326	410	4

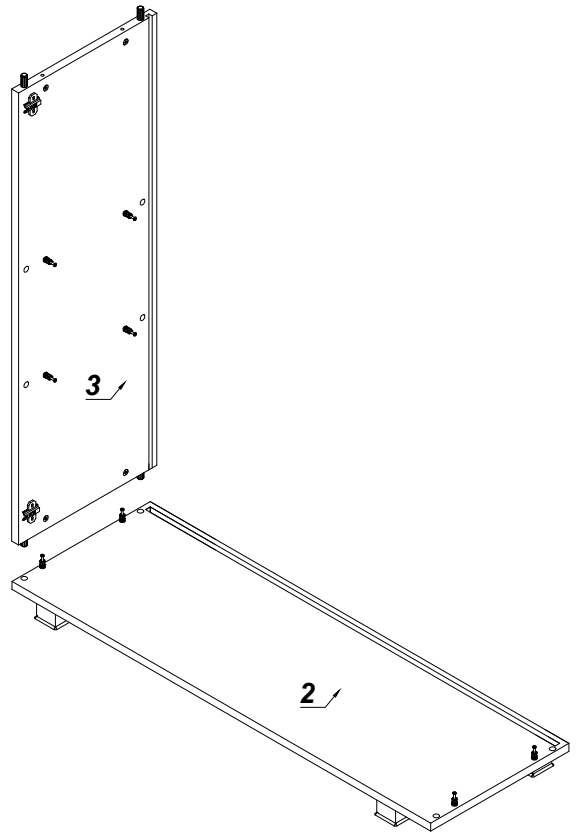




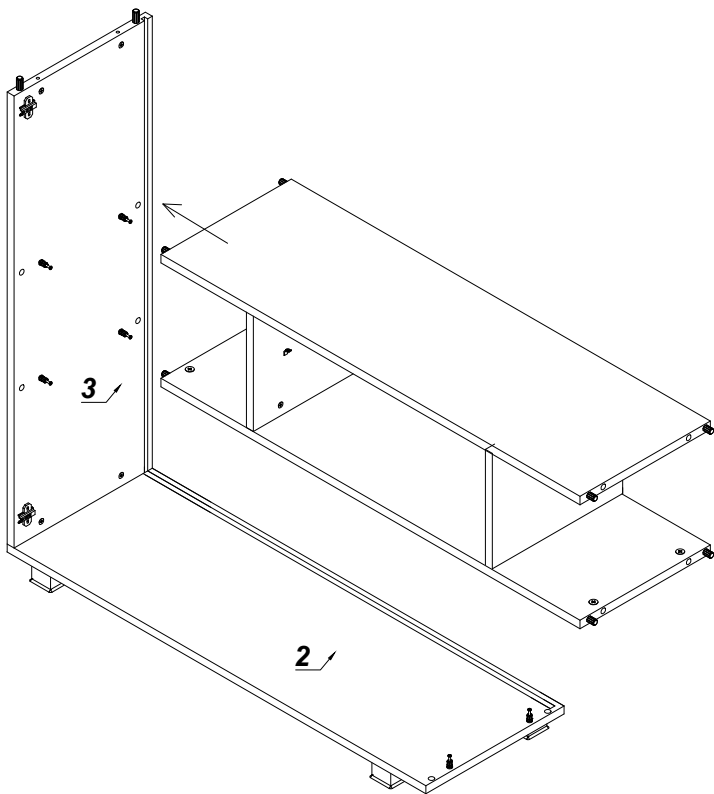
8



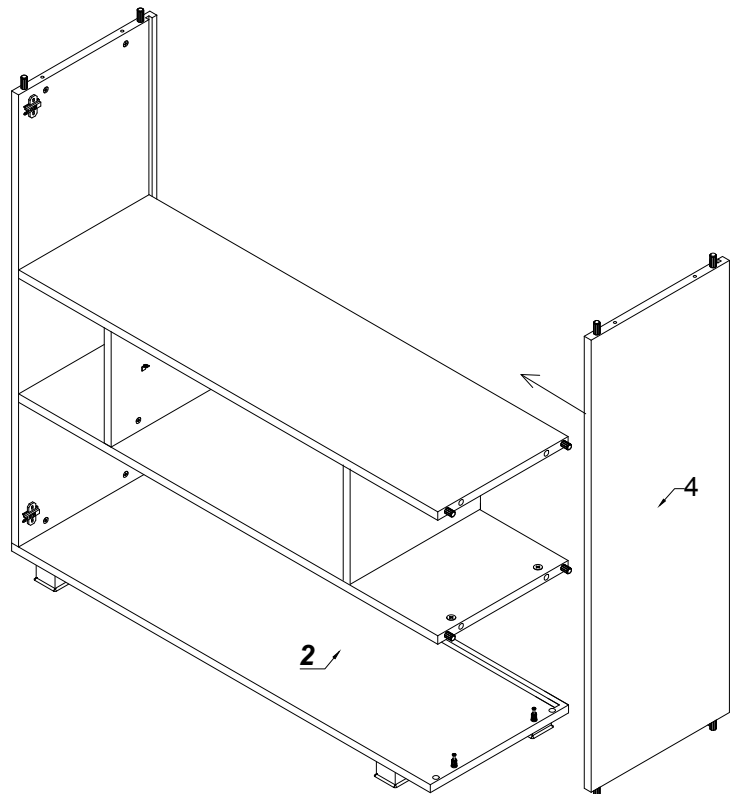
9



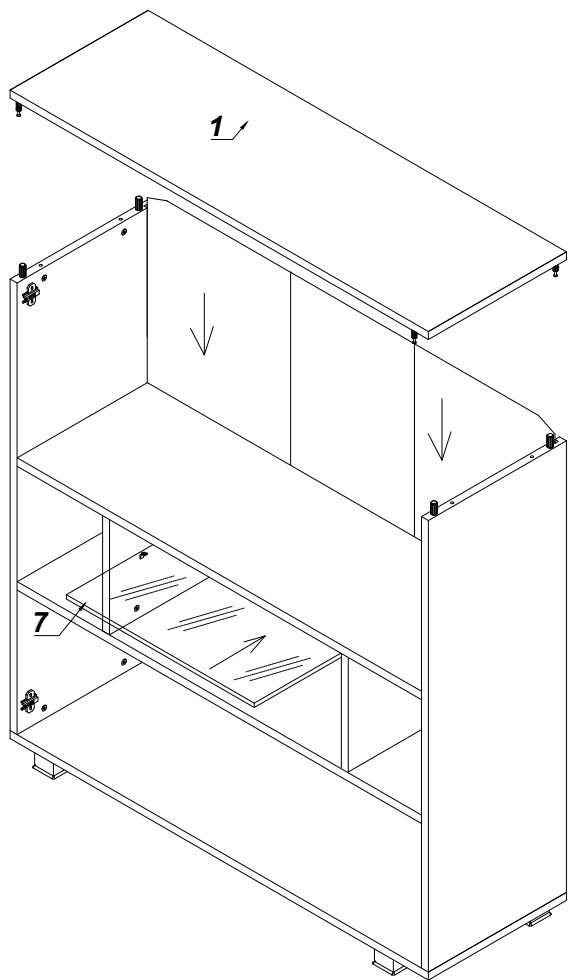
10



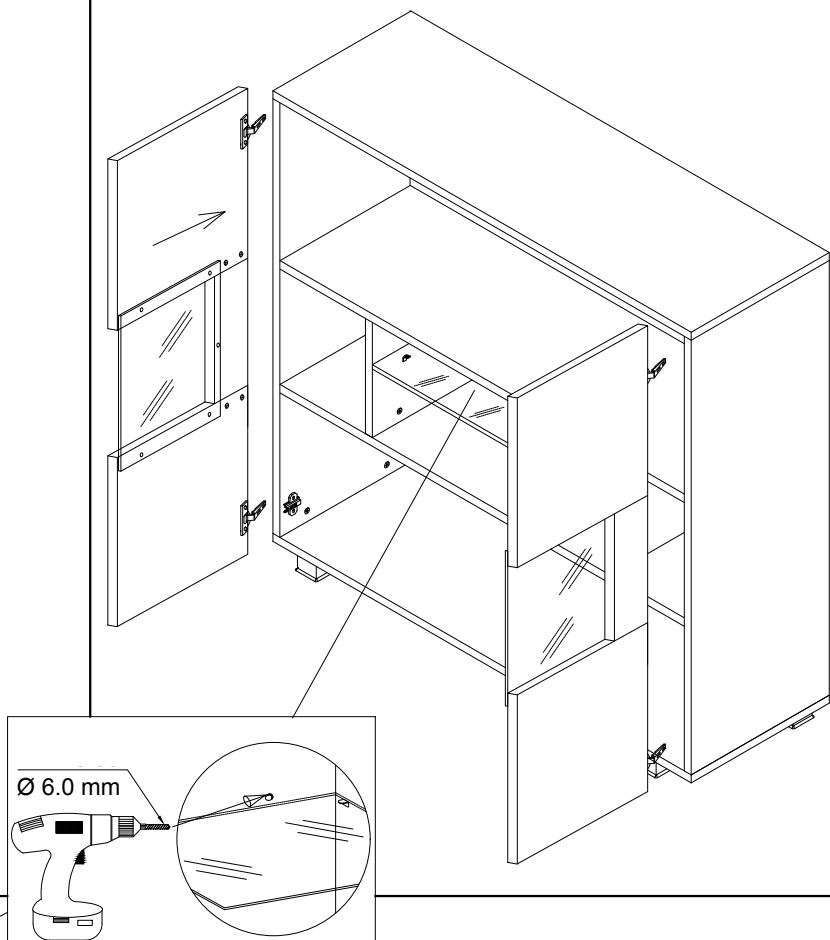
11



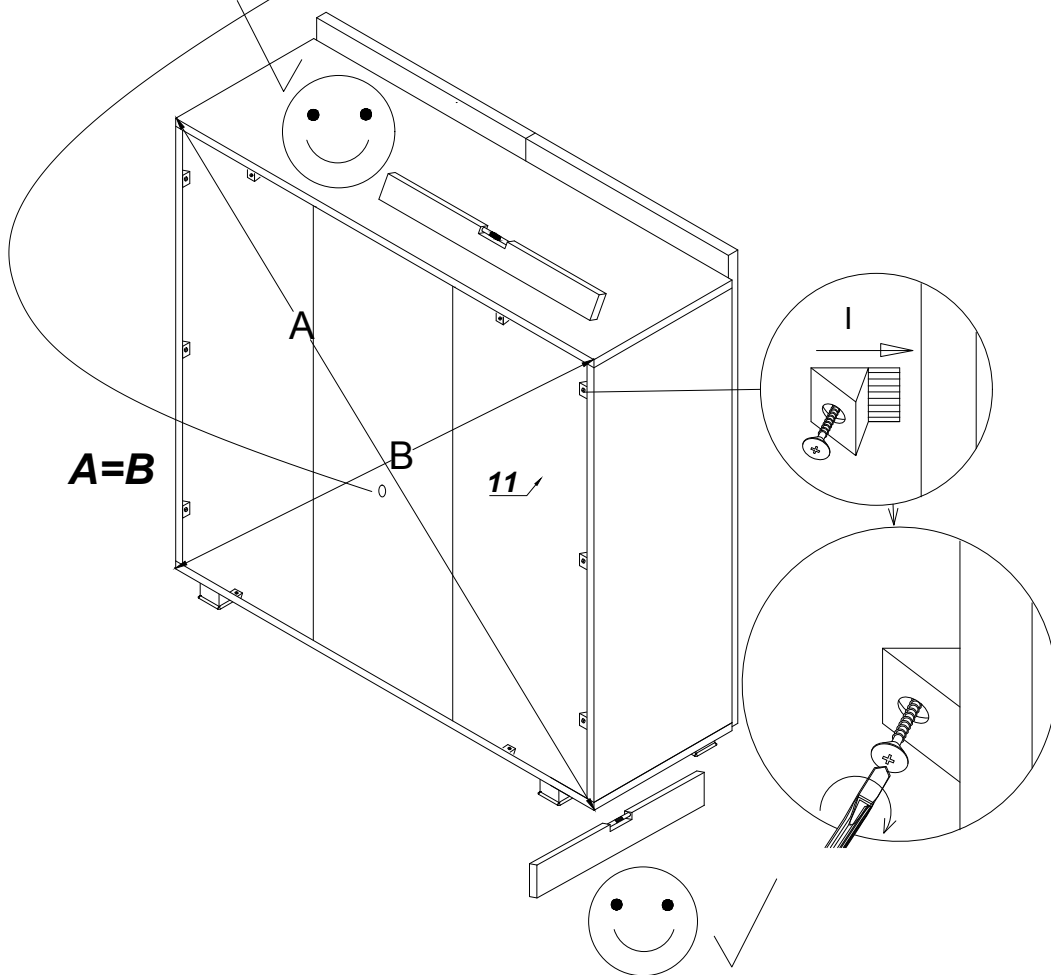
# 12



# 13



# 14



# 15

