

1

K2 x20	T1 x10	M1 x10	S10 US 3x18 x10	P2 3,5x18 x9	K7 x1	K11 x10	W2 x16	Z2 x10
----------------------	----------------------	----------------------	----------------------------------	-------------------------------	---------------------	-----------------------	----------------------	----------------------

2

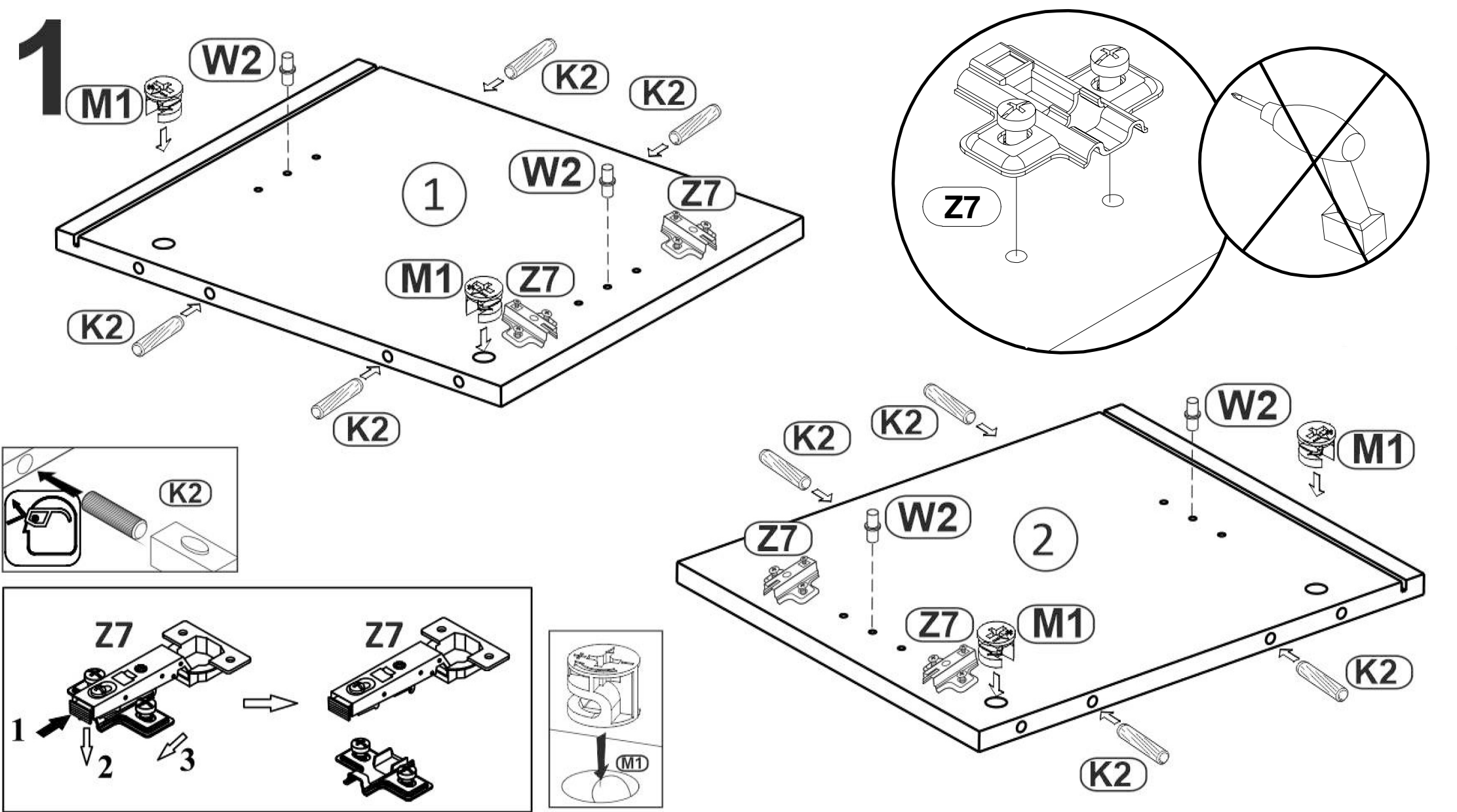
Z7 x8	S3 4x13 x16
---------------------	------------------------------

3

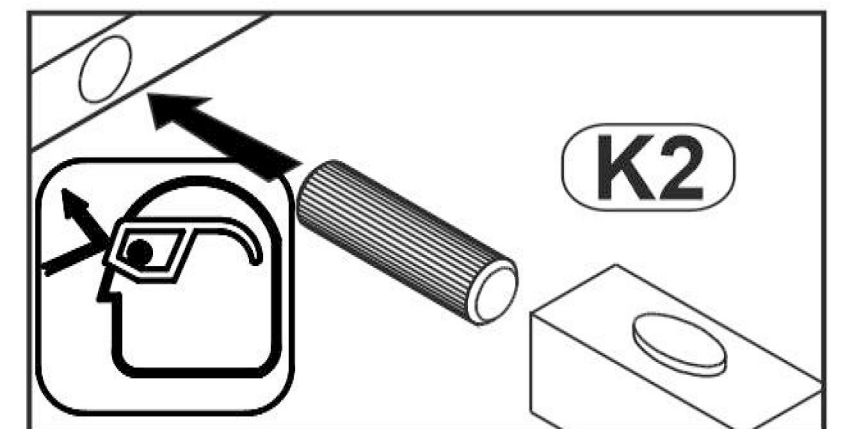
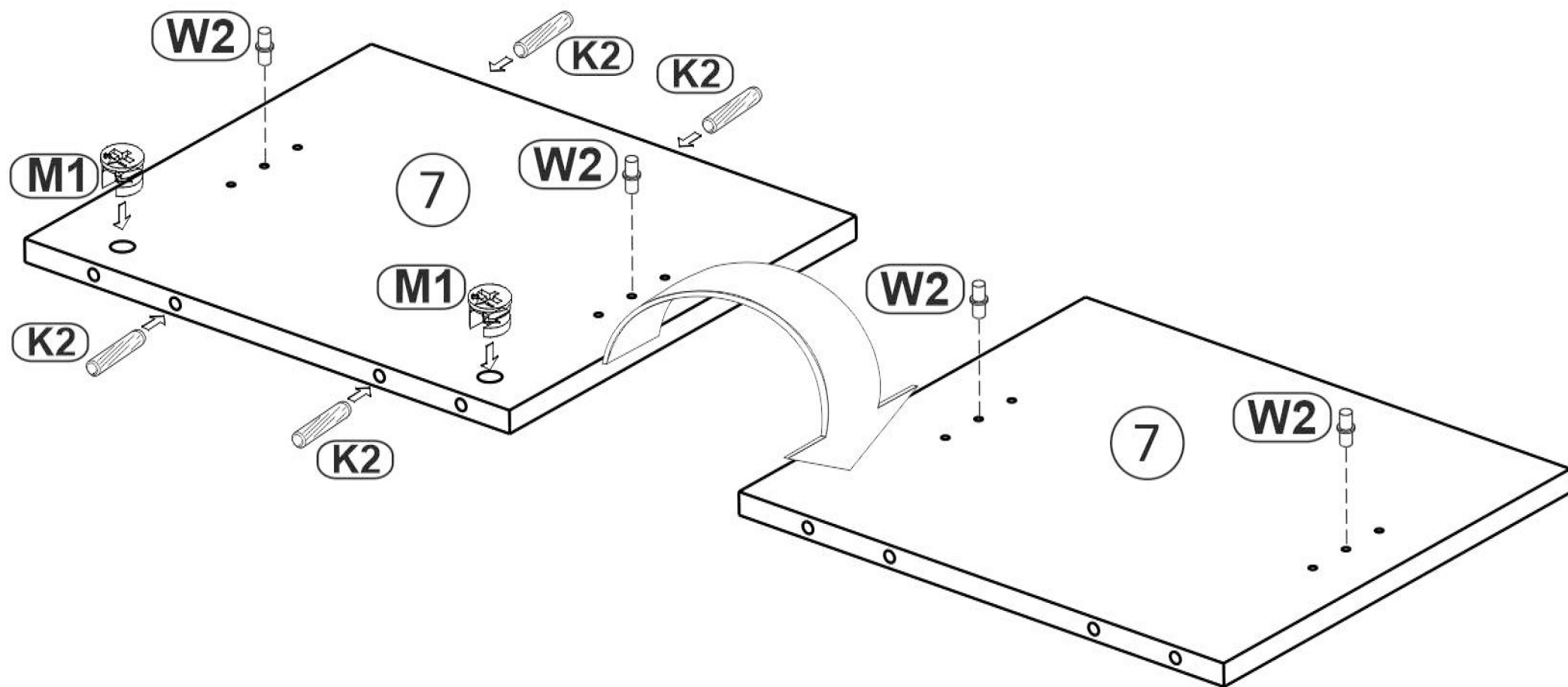
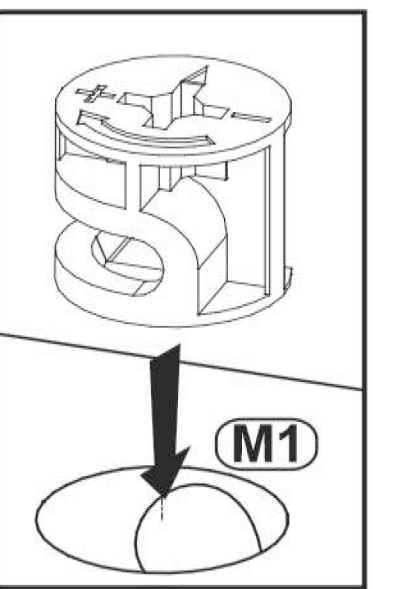
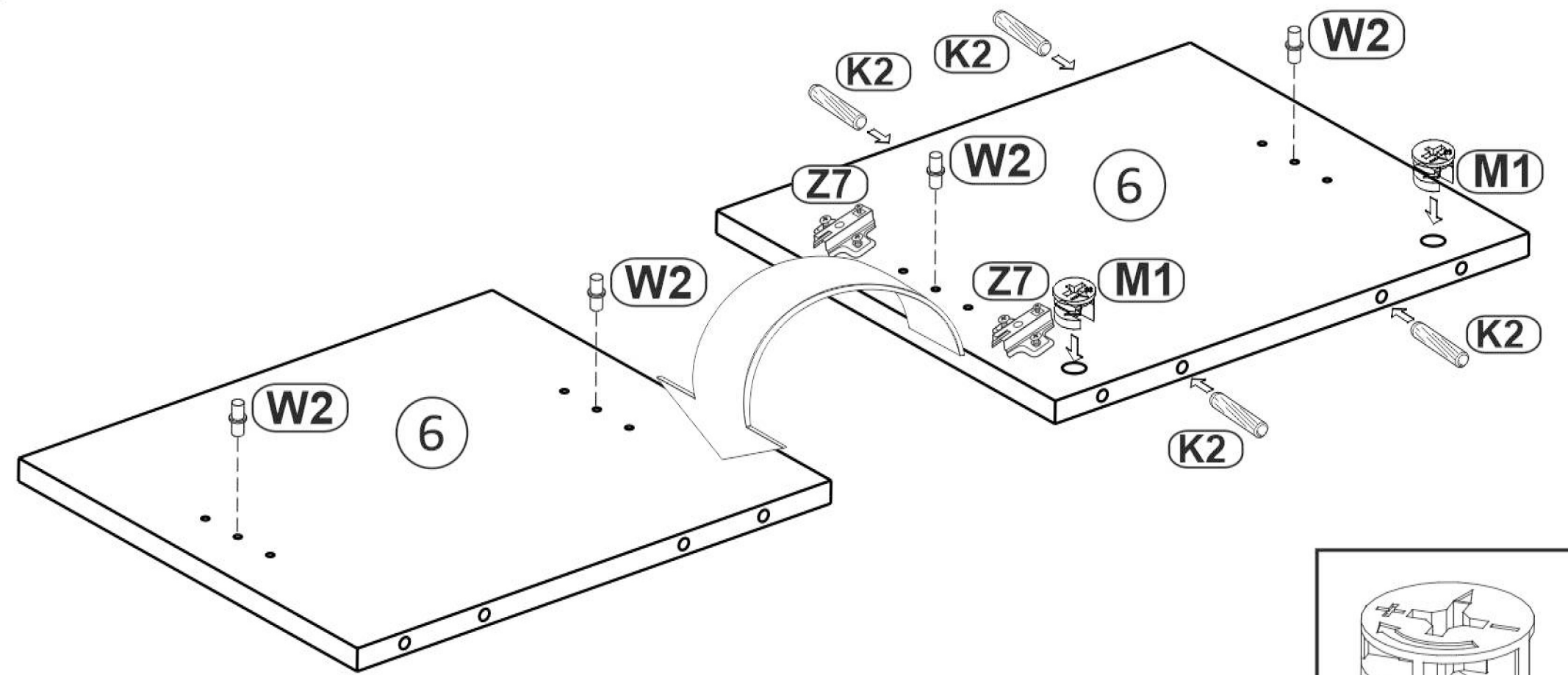
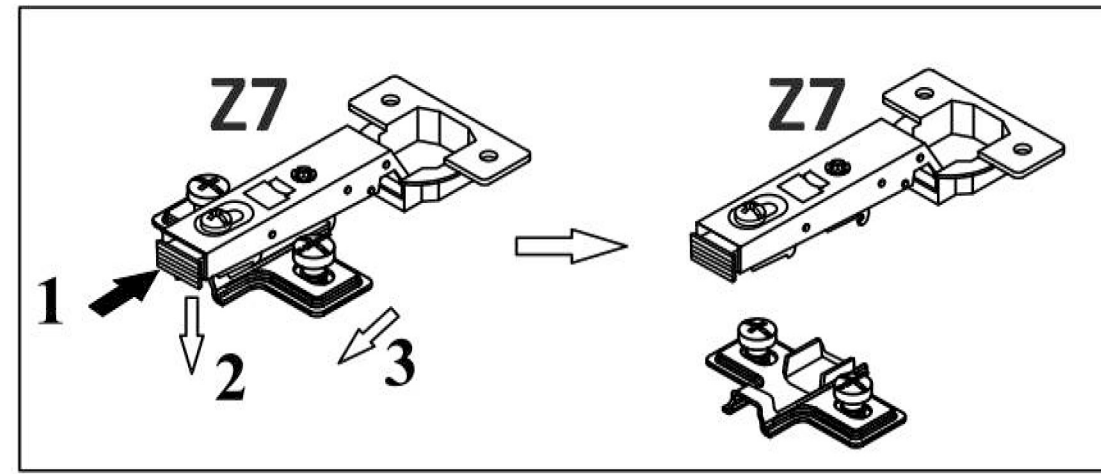
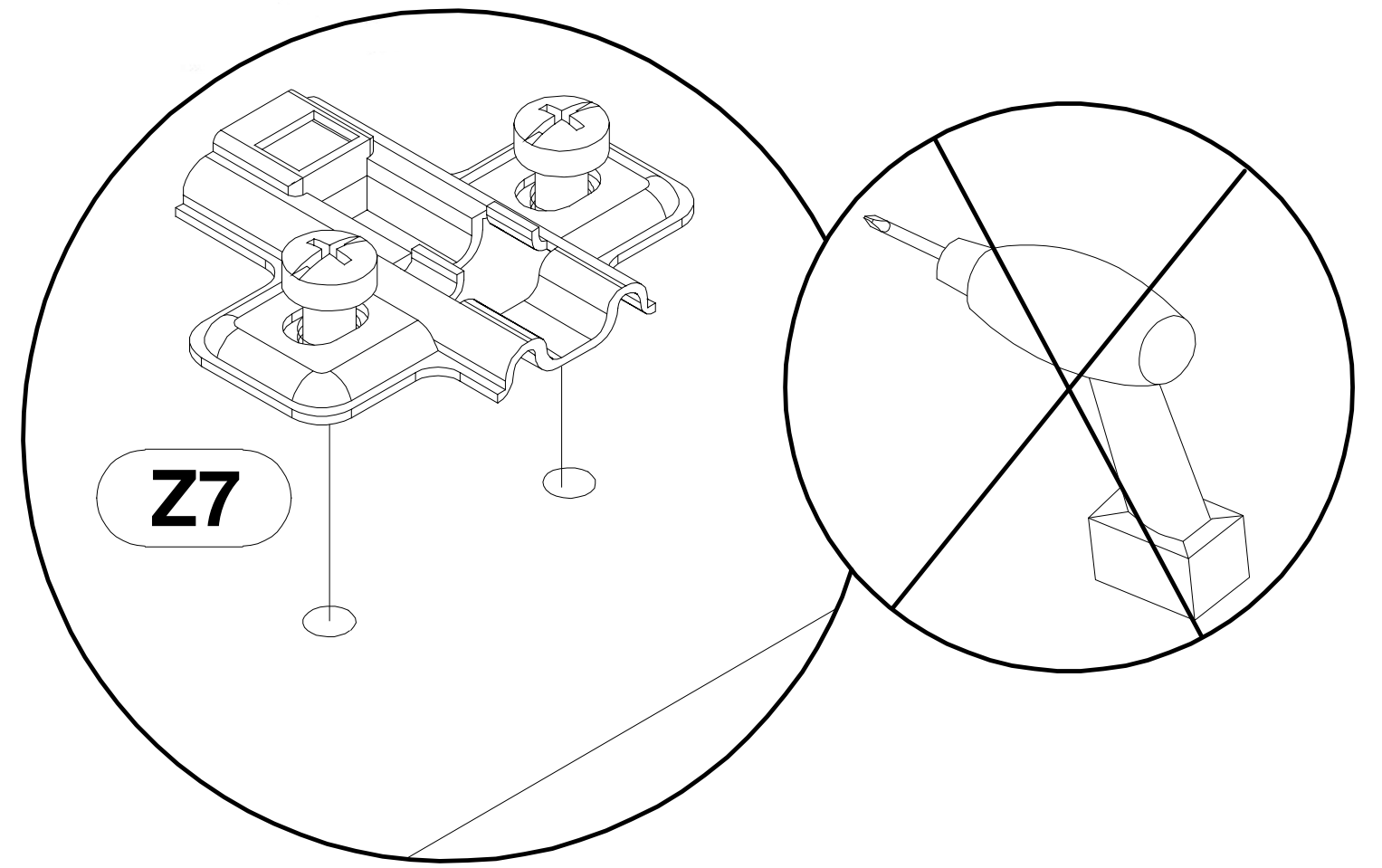
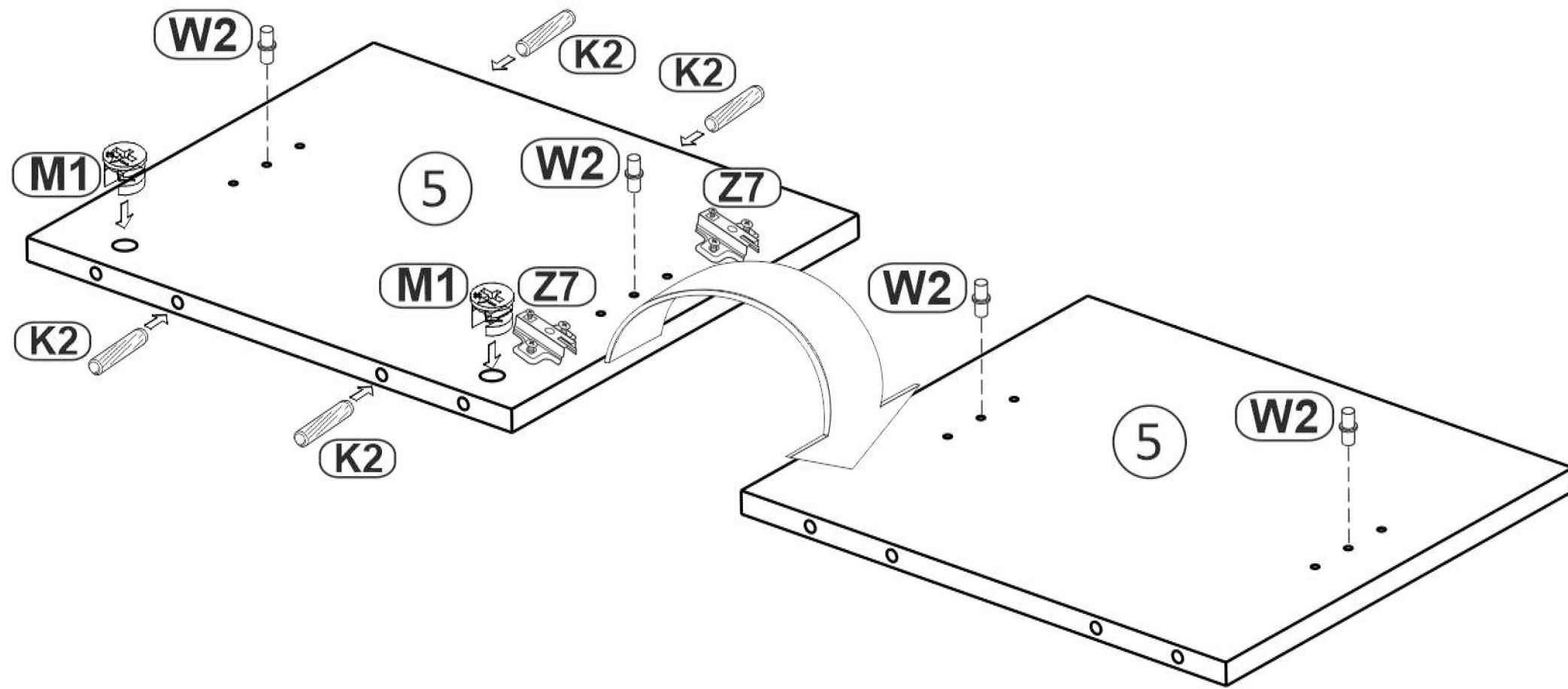
ST1 x6	P3 3,5x18 x24
----------------------	--------------------------------

4

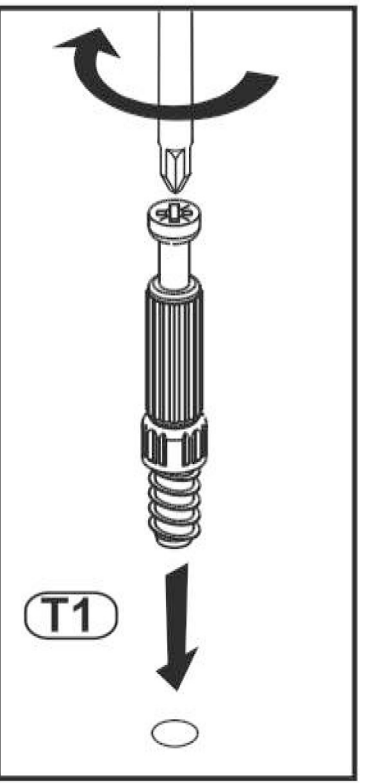
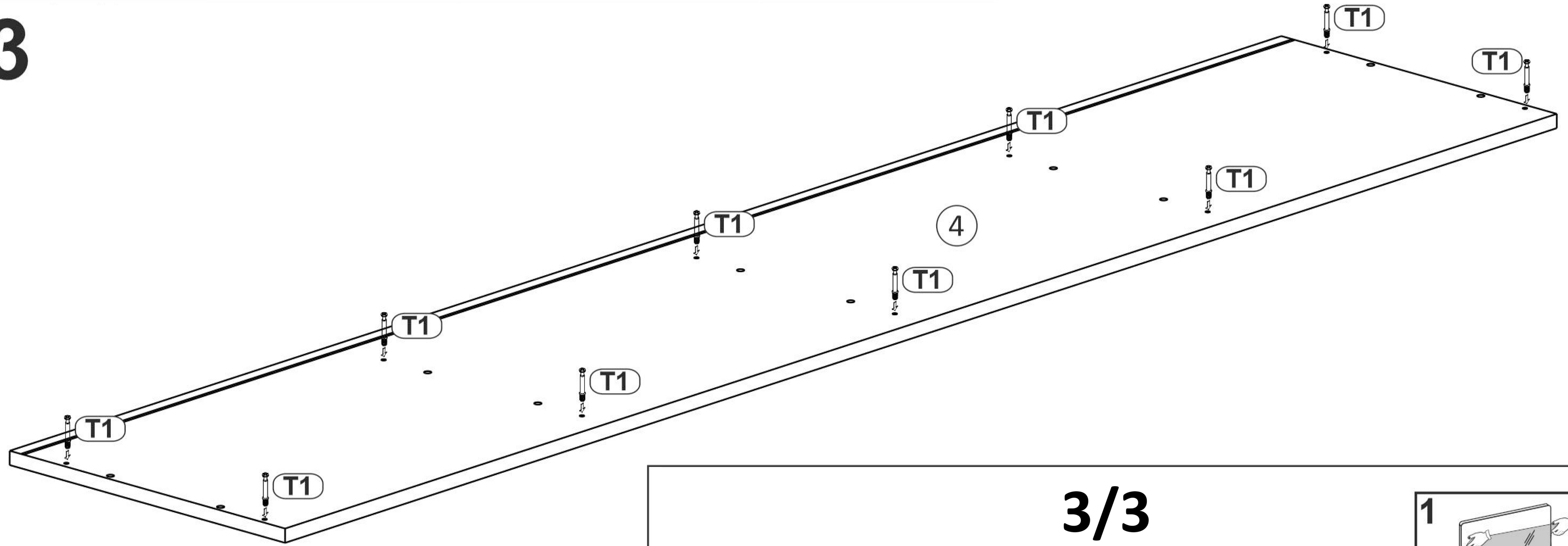
B5 x1



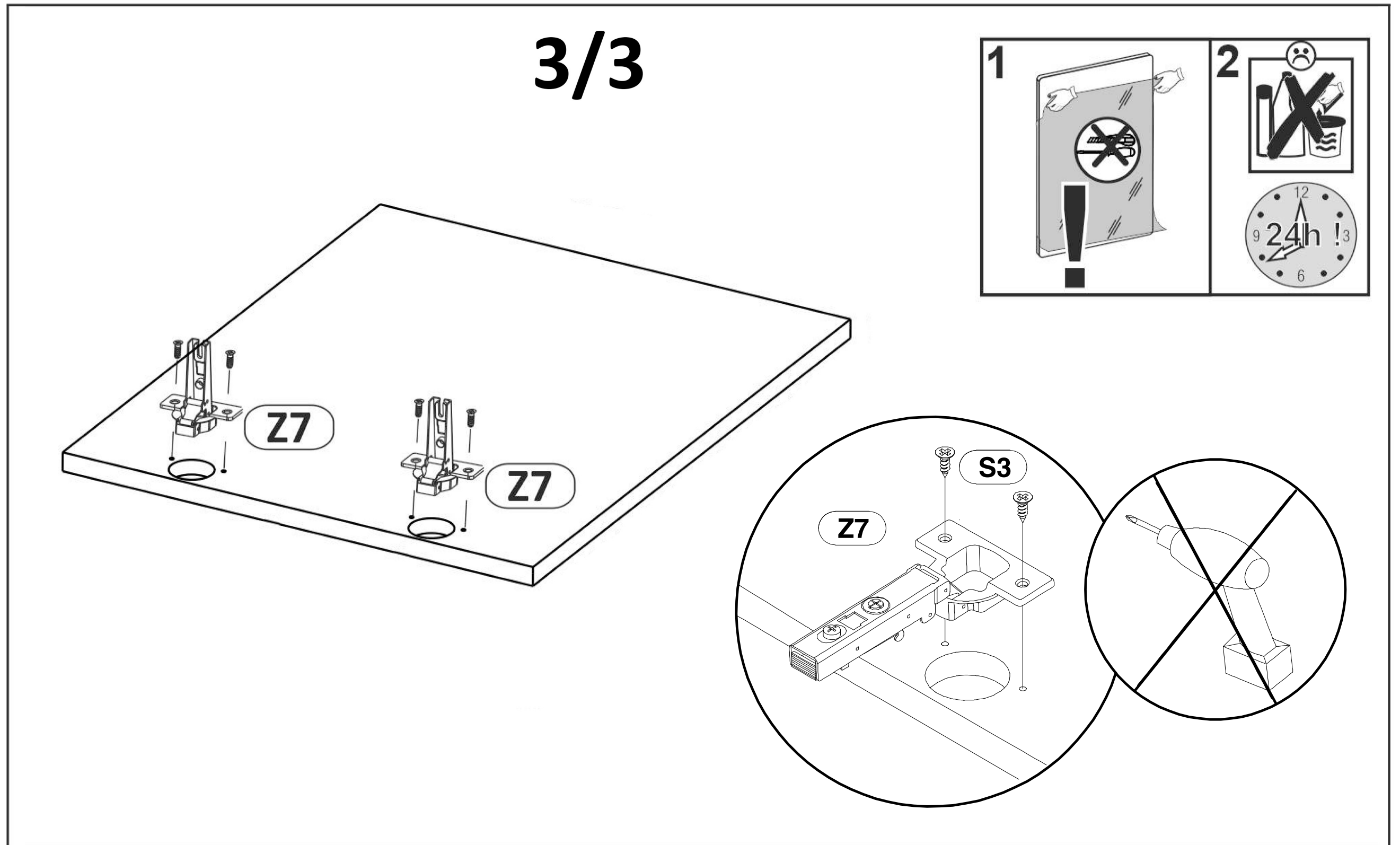
2



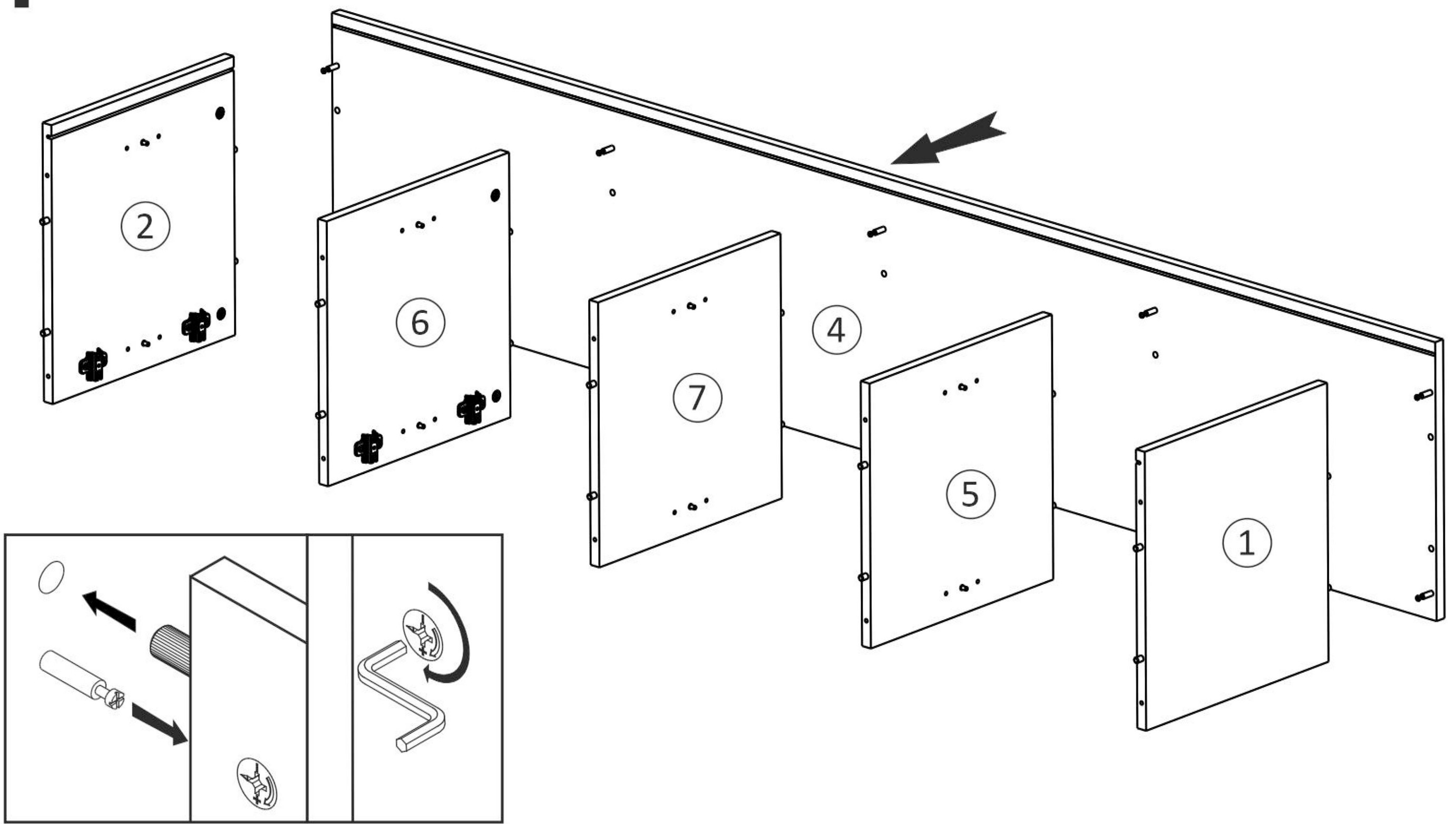
3



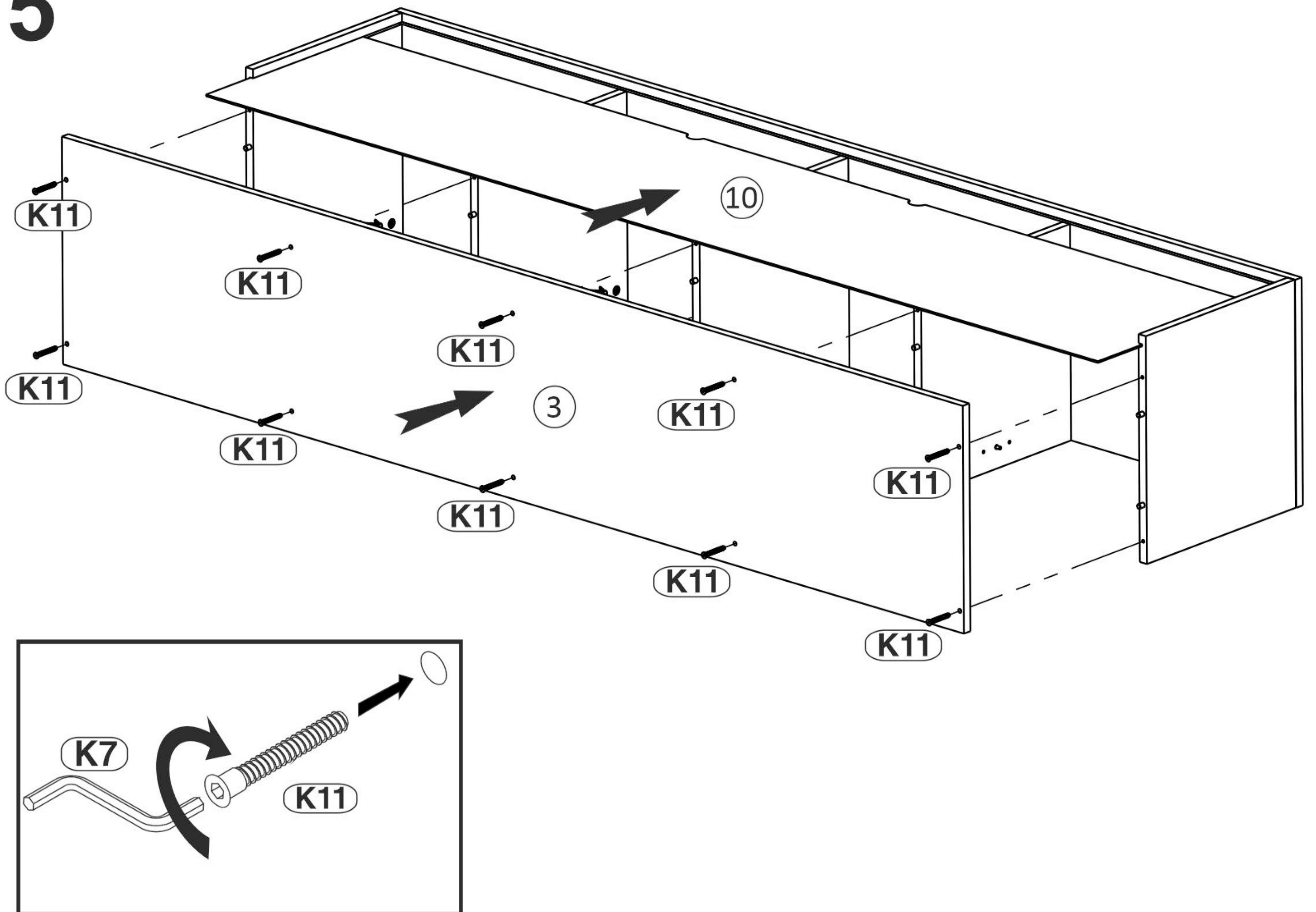
3/3



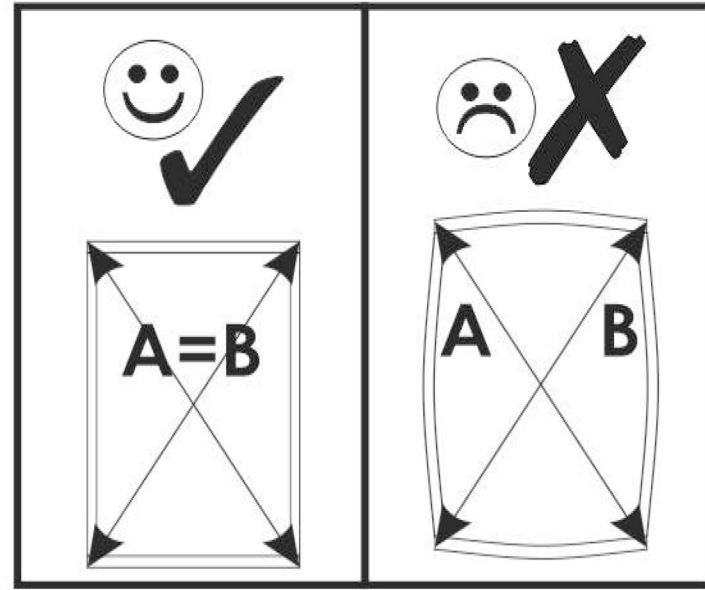
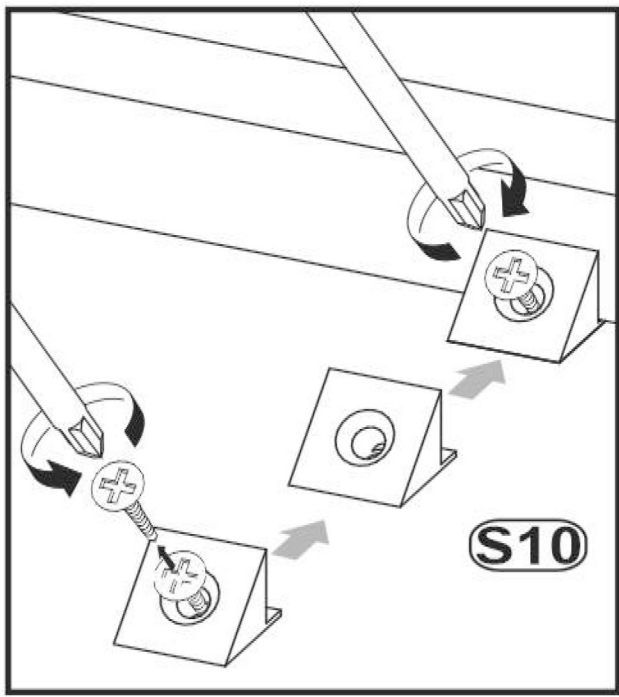
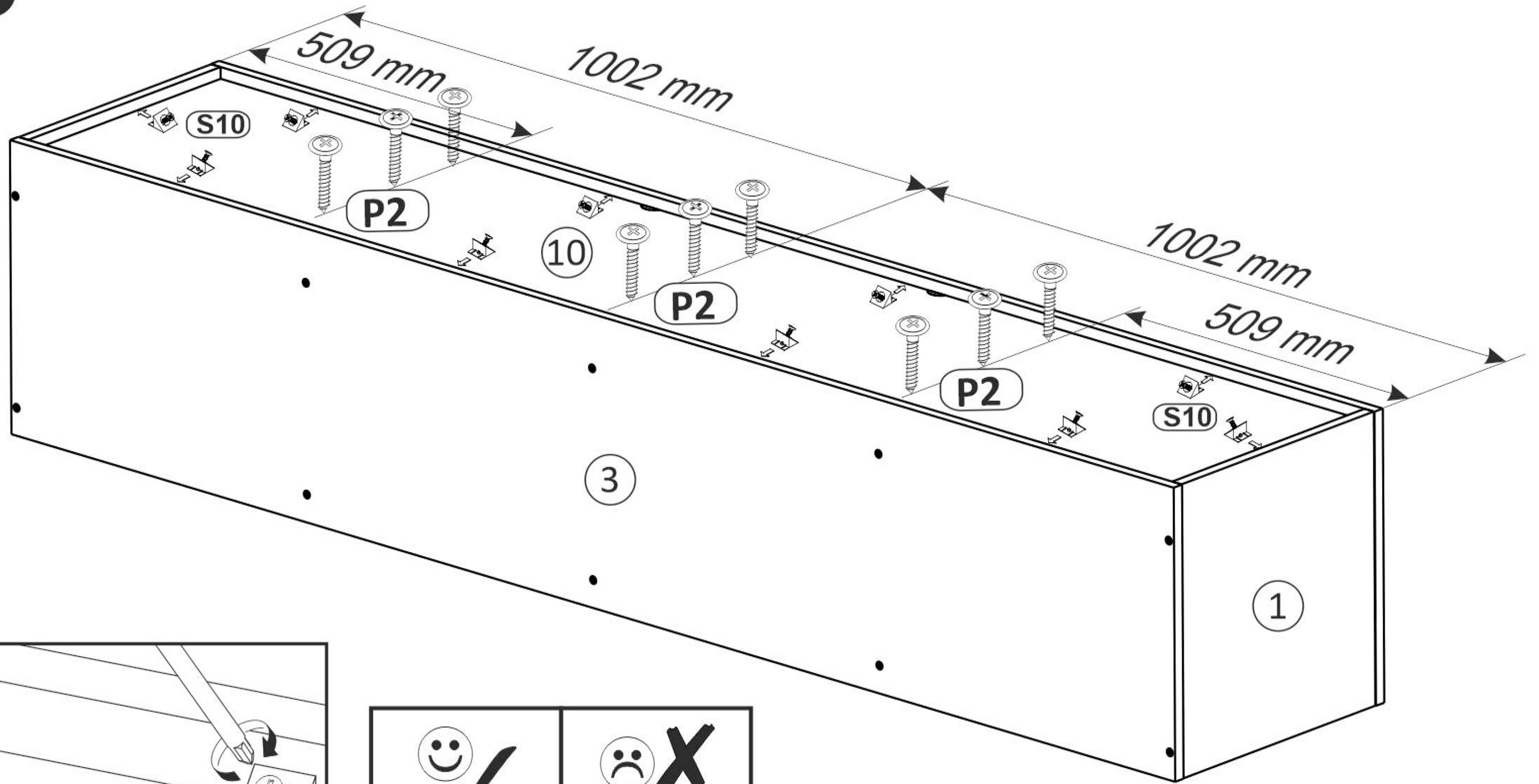
4



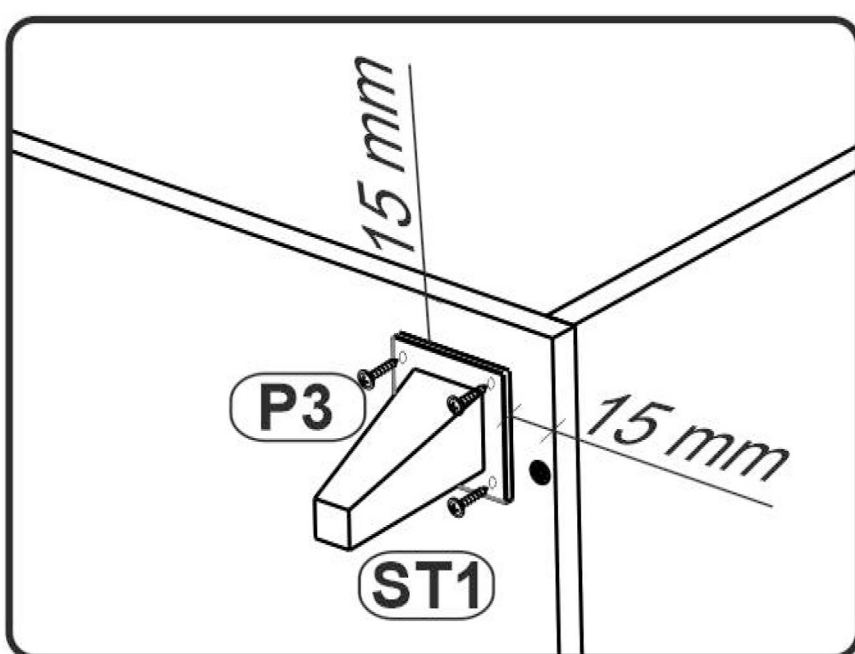
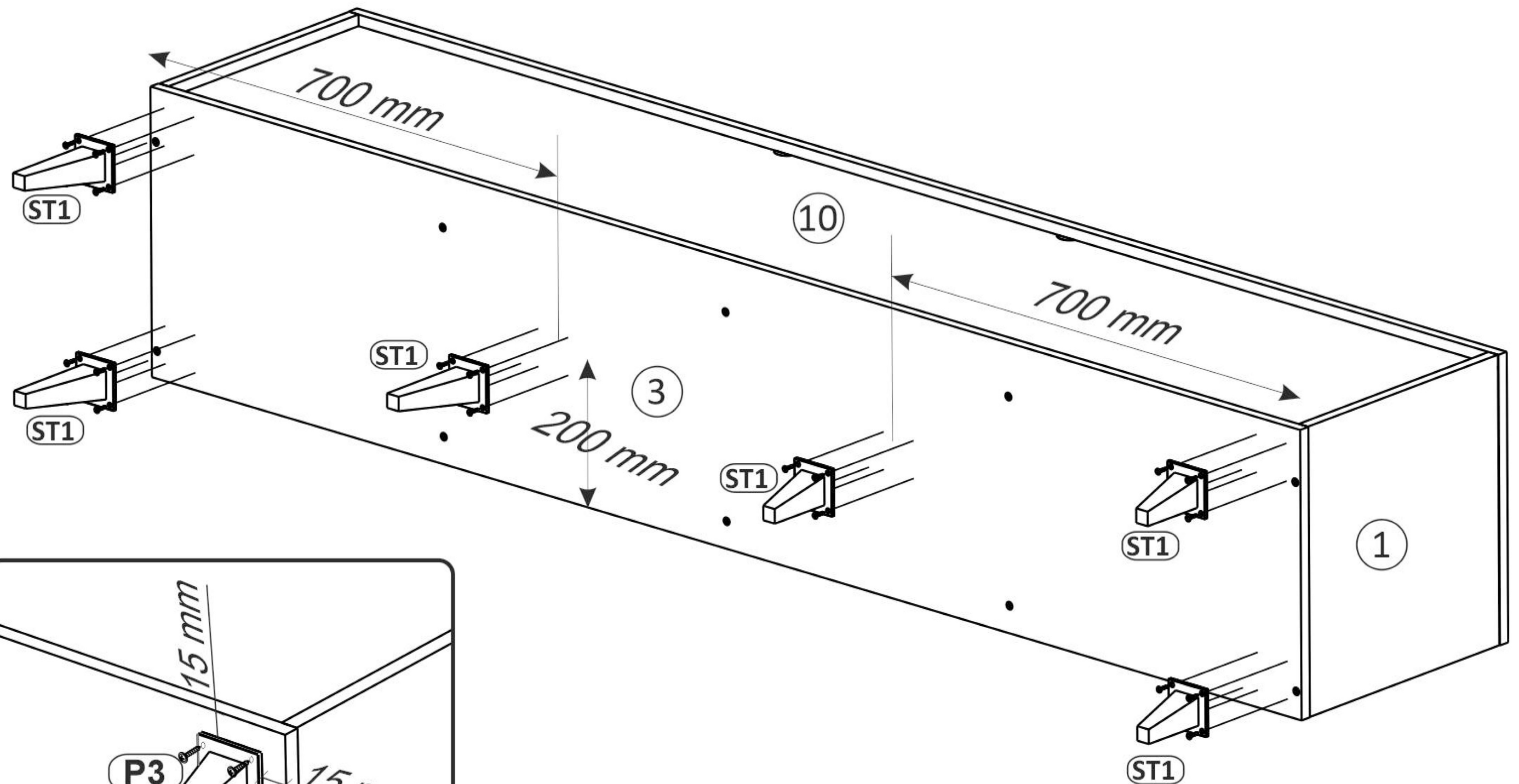
5



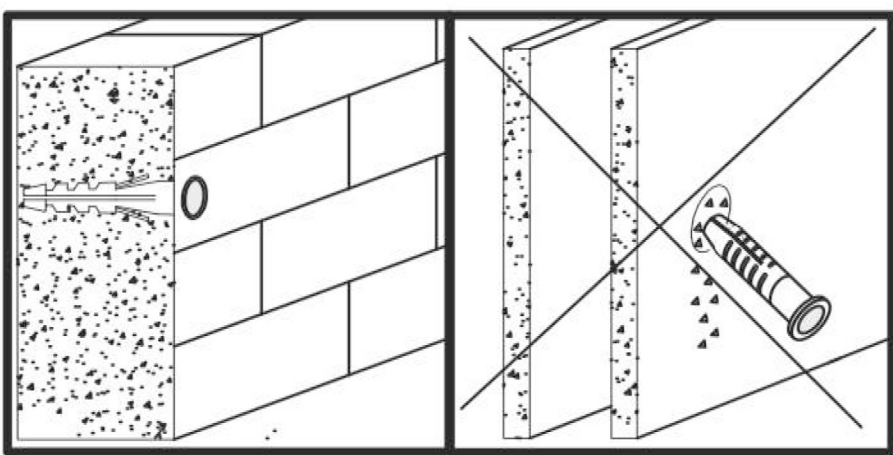
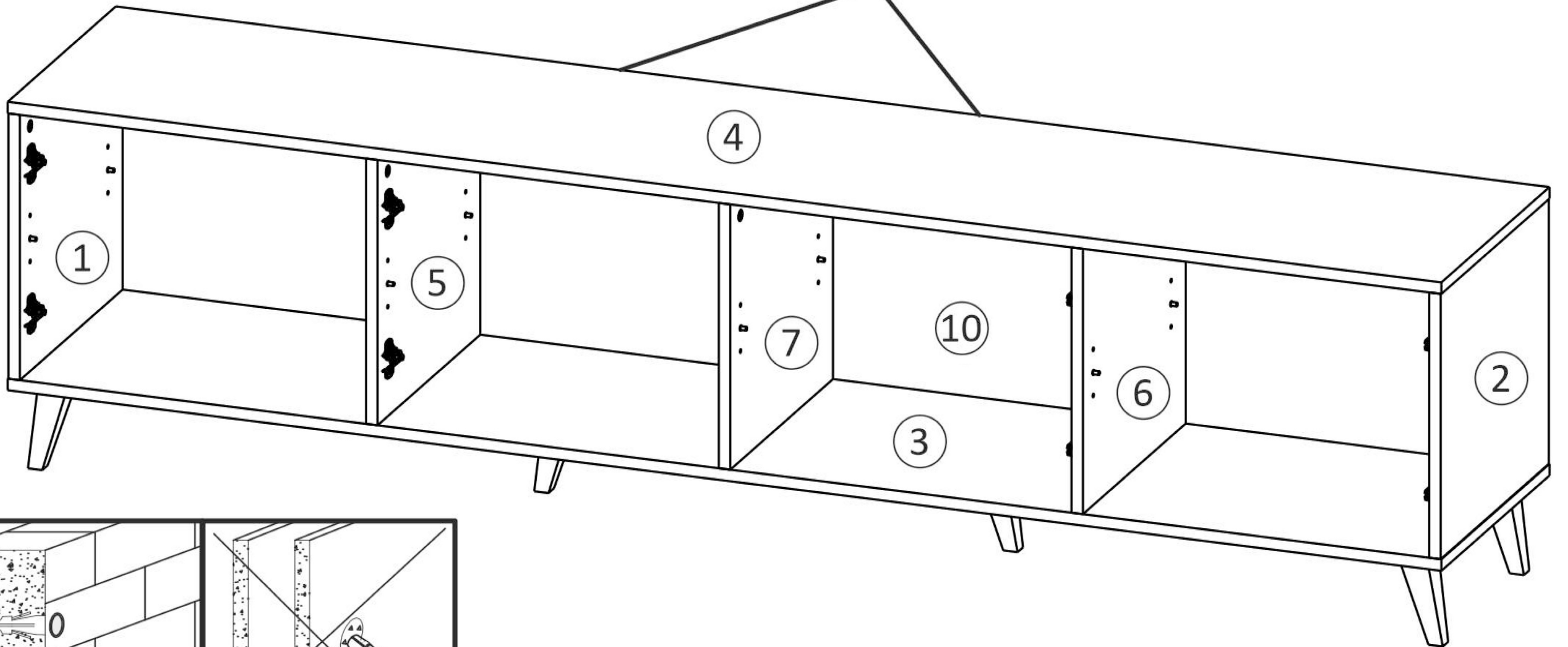
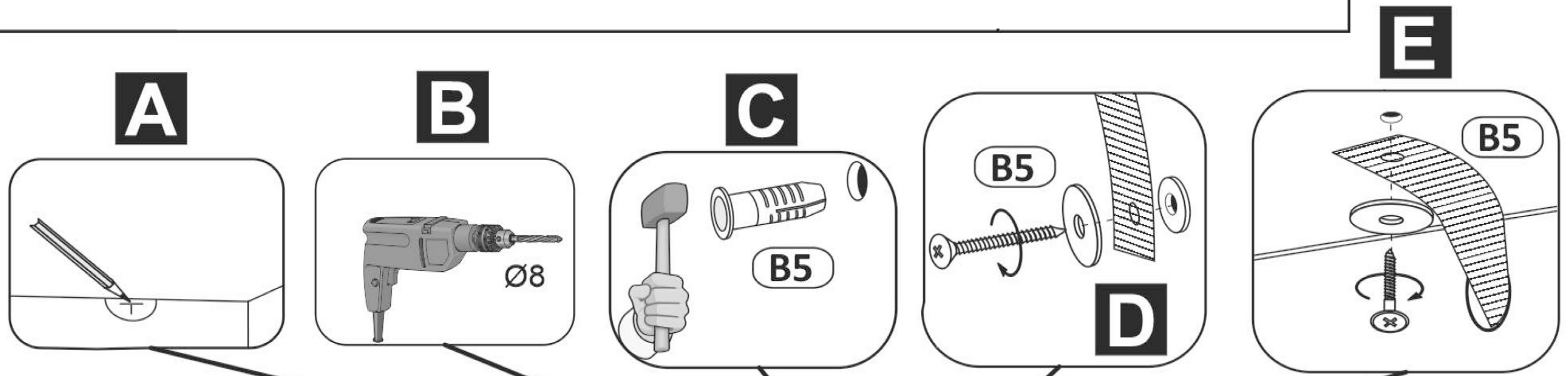
6



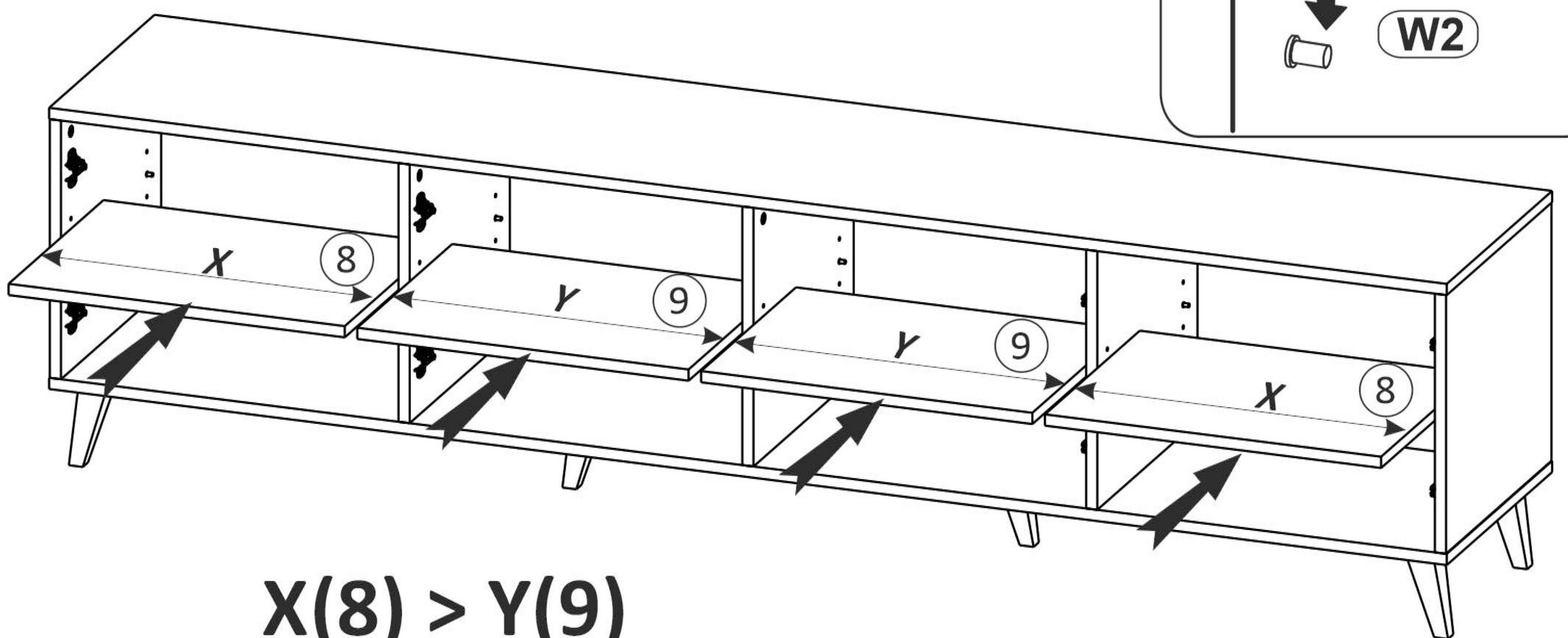
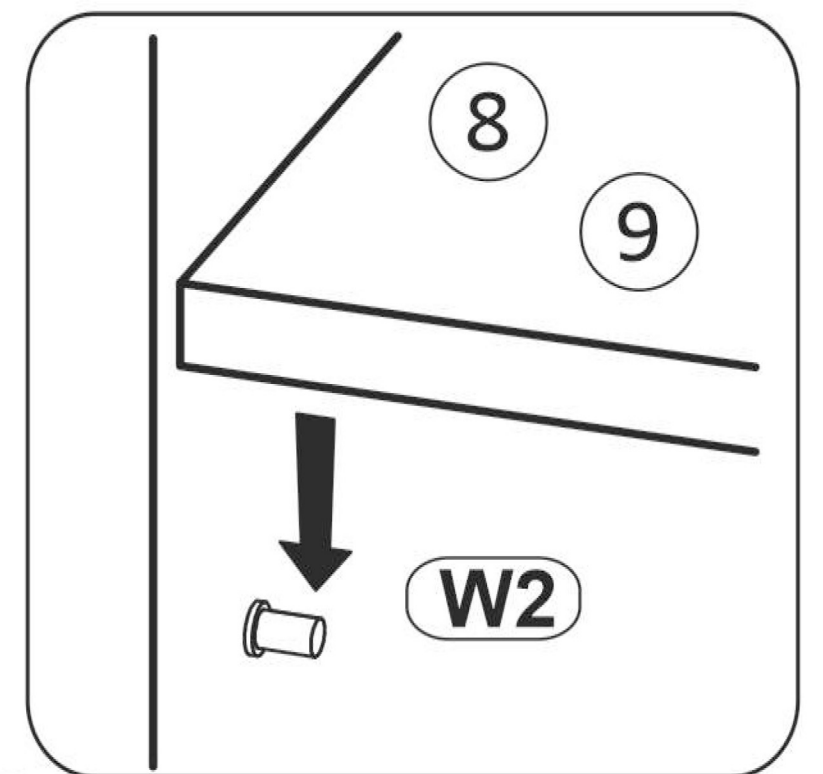
7



8

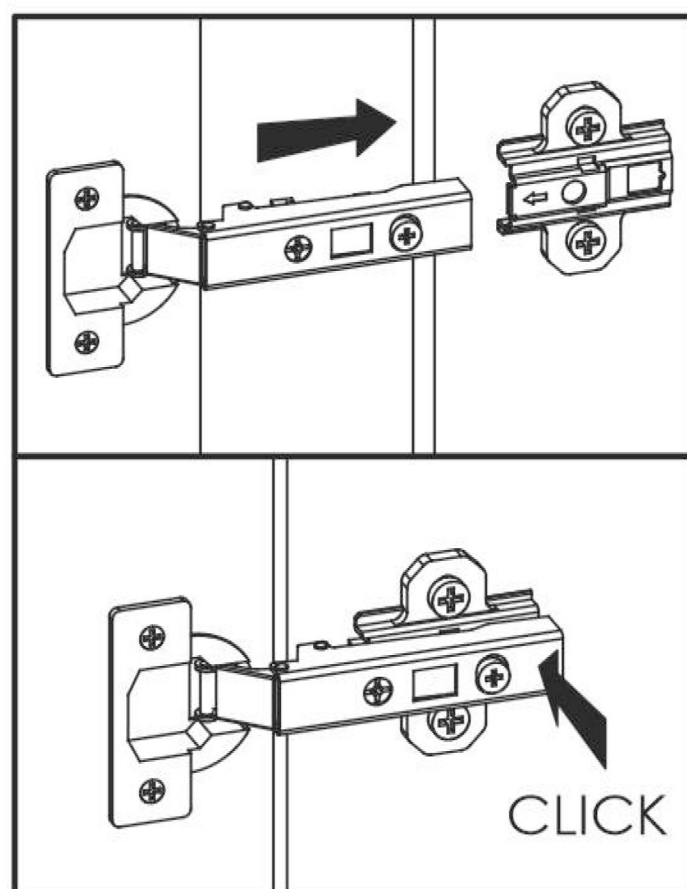
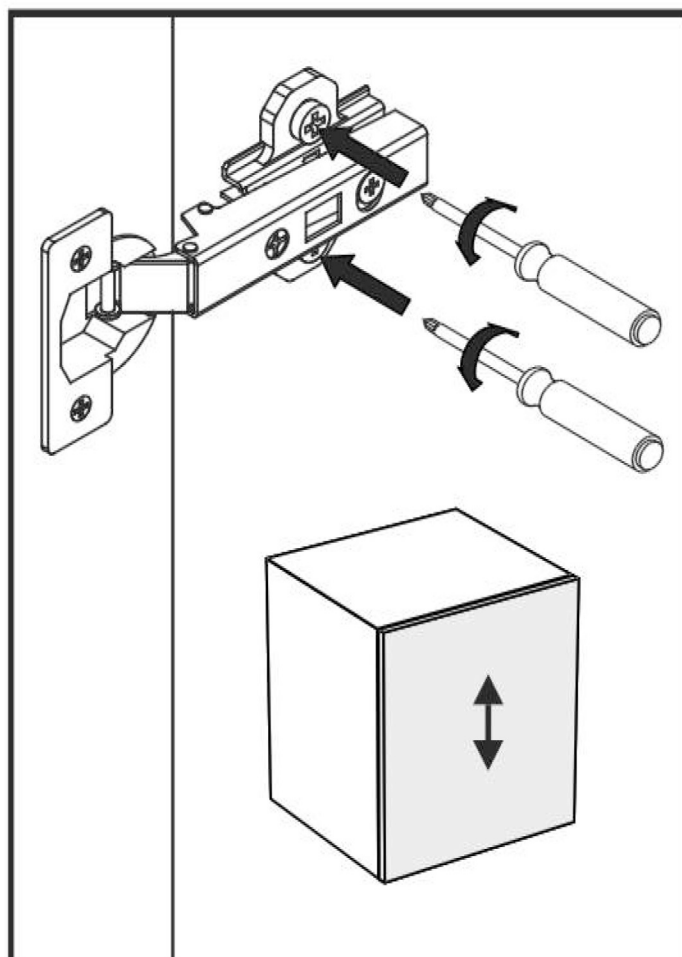
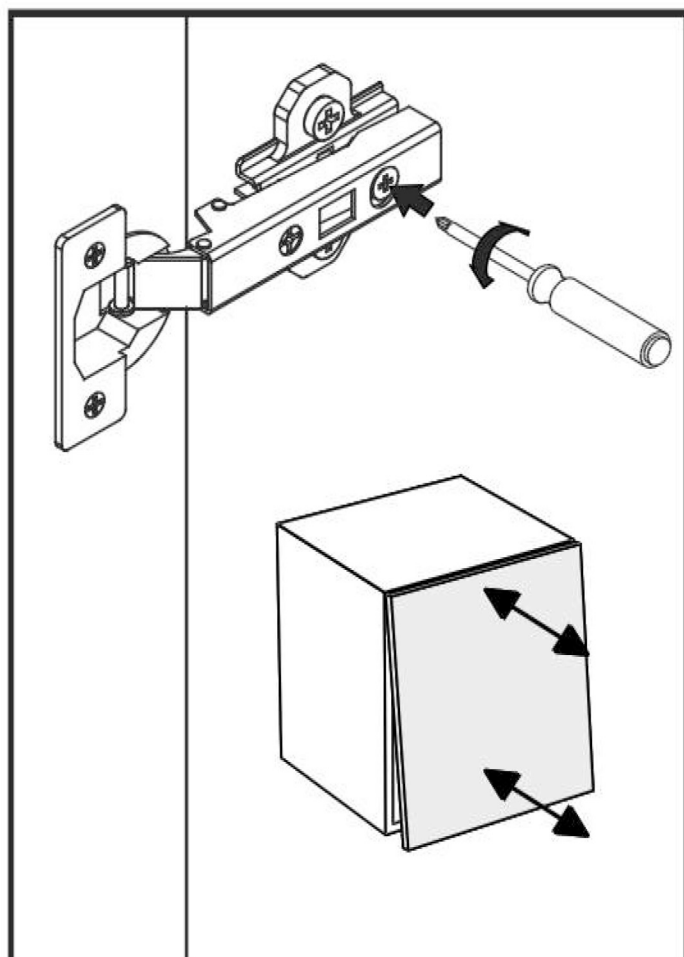
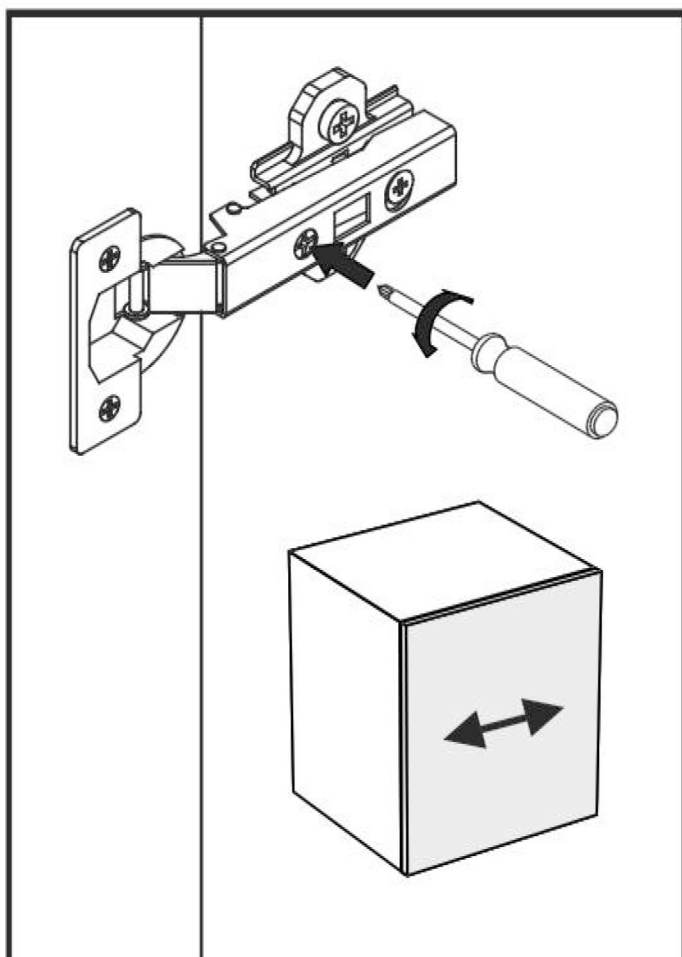
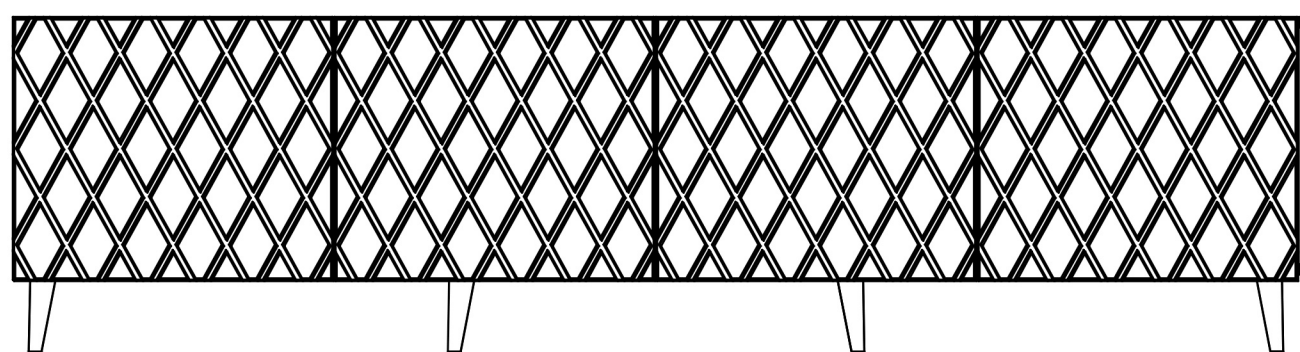
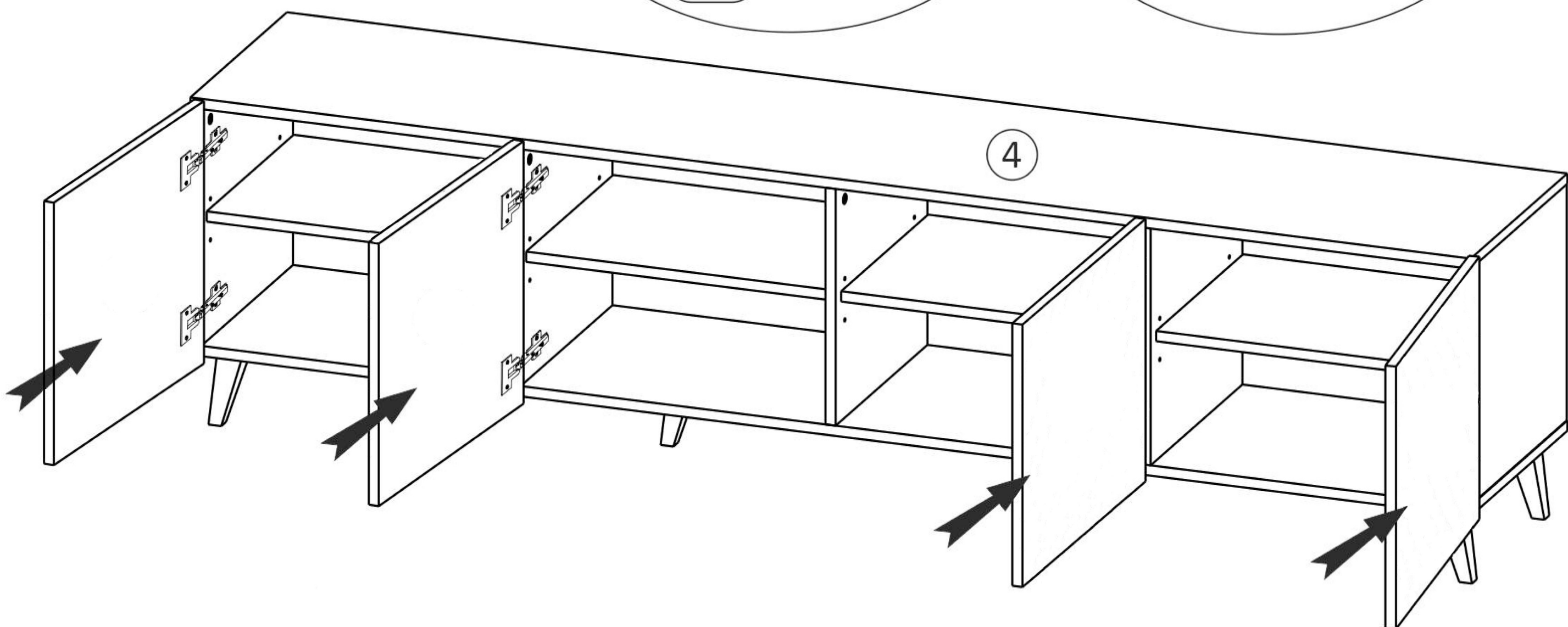
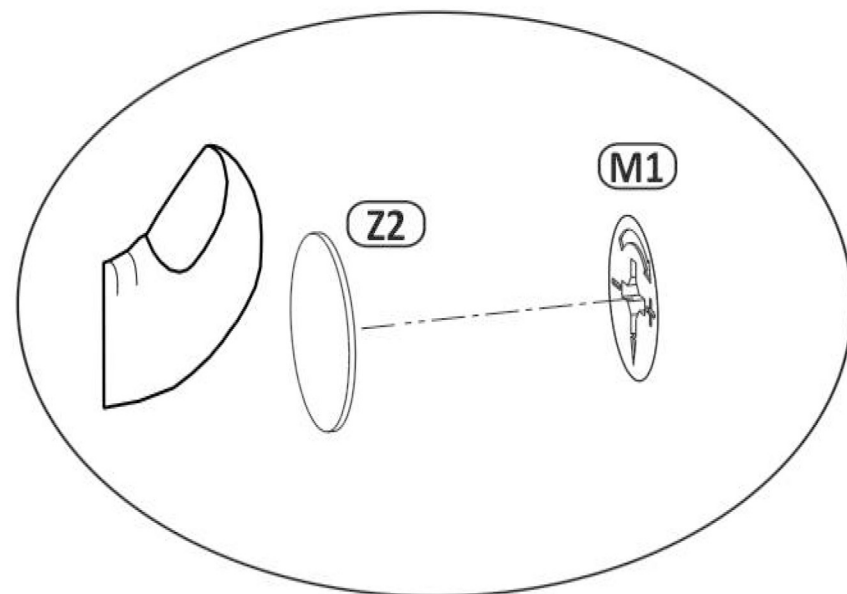
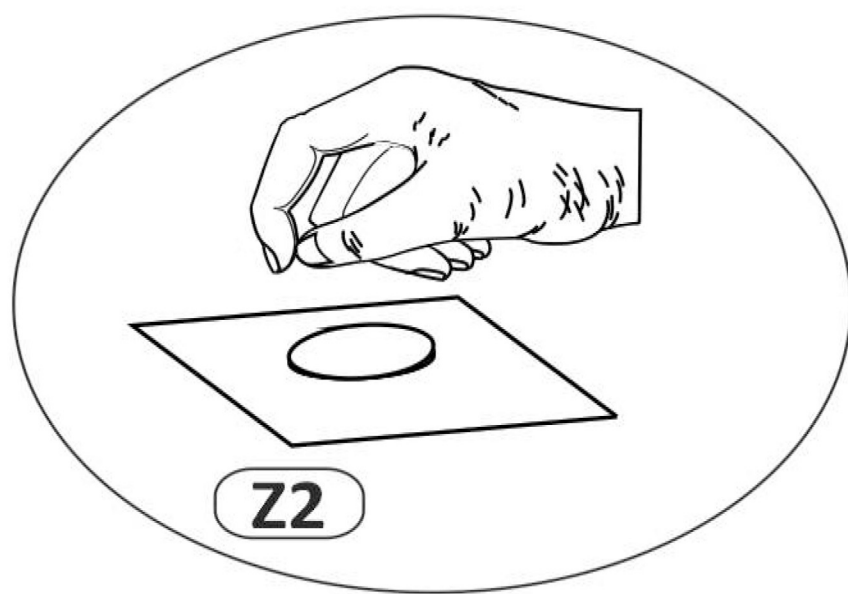


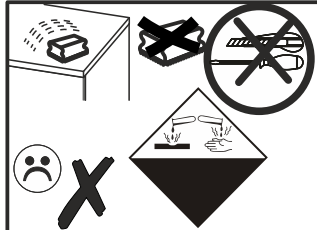
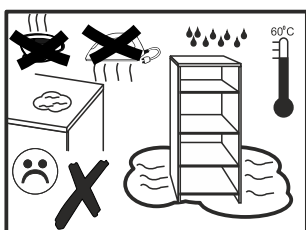
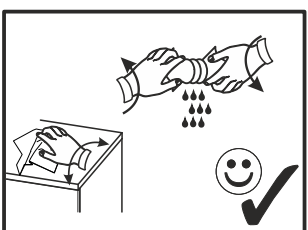
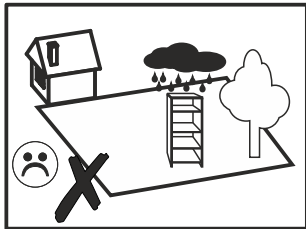
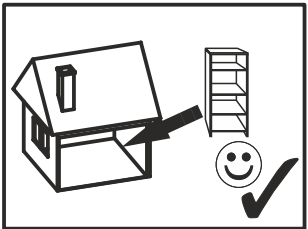
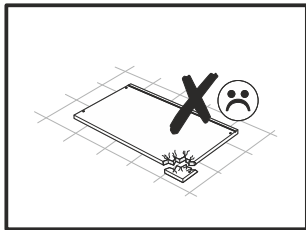
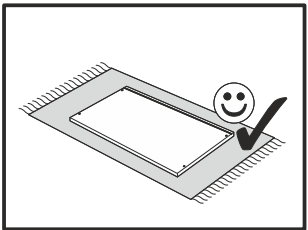
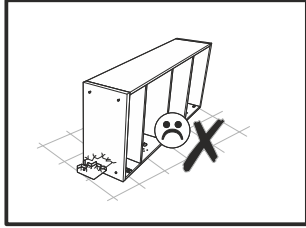
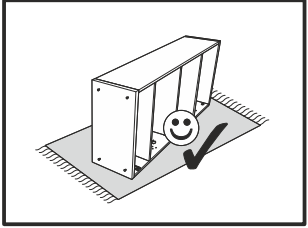
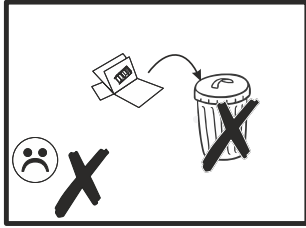
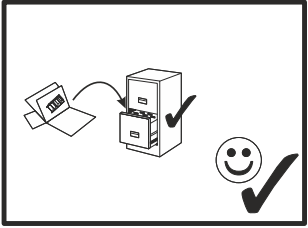
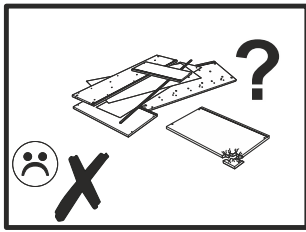
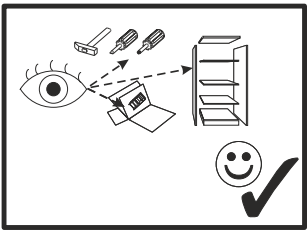
9

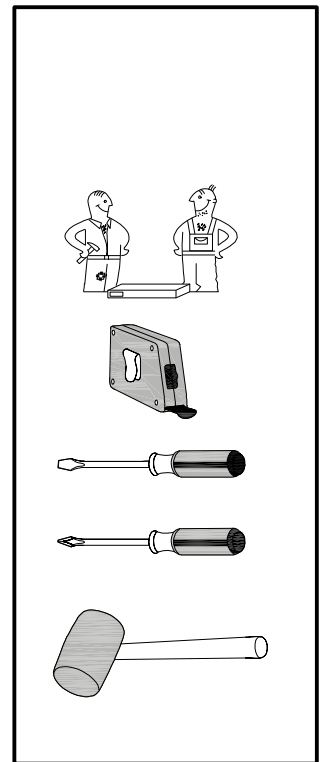
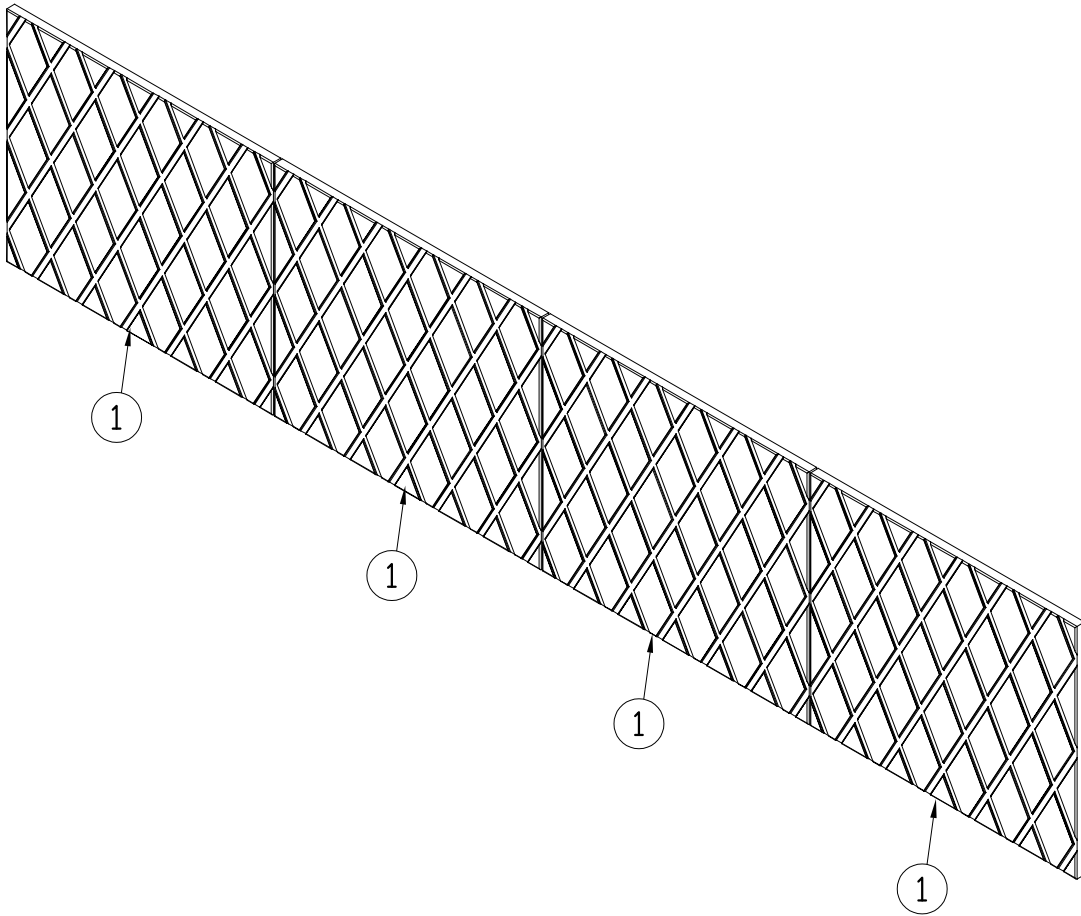
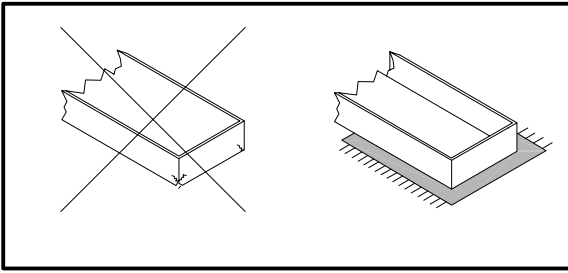


$X(8) > Y(9)$

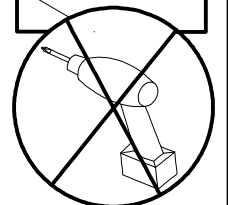
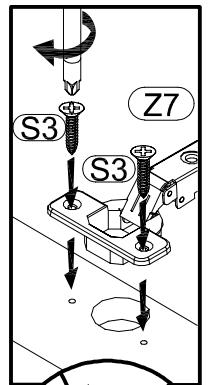
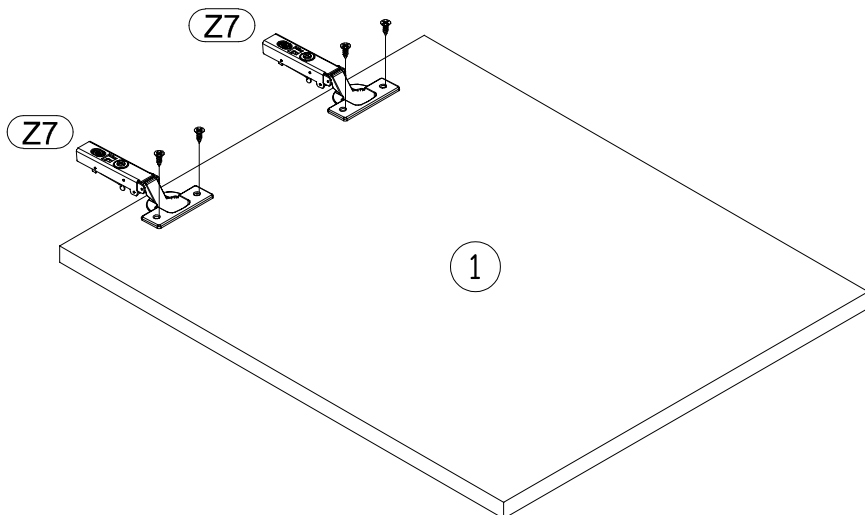
10







1



2

