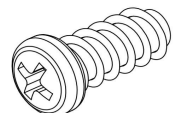
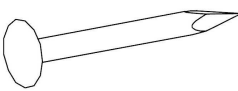
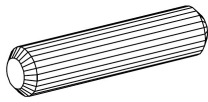
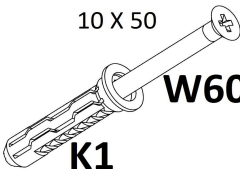

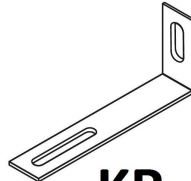

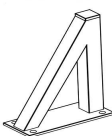
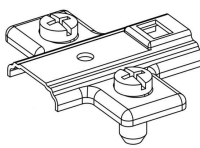
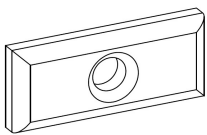
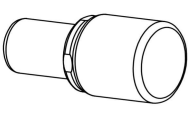
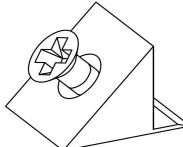
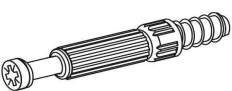

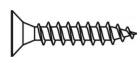
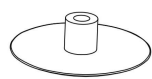
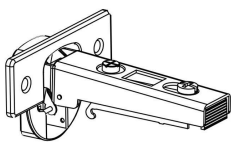
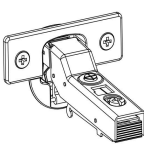
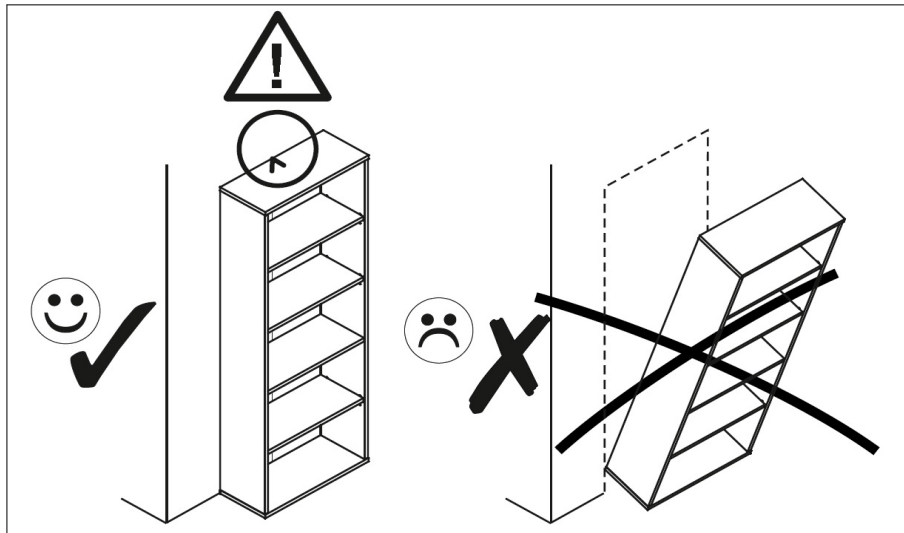
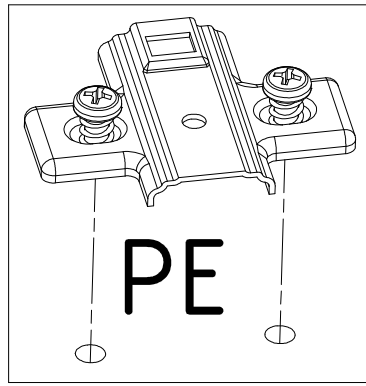
 <b>A1</b>	6,3 X 13  <b>E13</b>	 <b>G</b>	8 x 30  <b>K</b>	10 X 50  <b>W60</b> <b>K1</b>
6,3 X 50  <b>KN</b>	 <b>KR</b>	15 x 12  <b>M</b>	h:160mm  <b>NV</b>	 <b>PE</b>
 <b>PL</b>	 <b>PP3</b>	 <b>ST</b>	6 x 34 mm  <b>T</b>	4 x 16  <b>W16</b>
3 x 16mm  <b>W3</b>	 <b>Z</b>	 <b>ZPH</b>	 <b>ZPPH</b>	

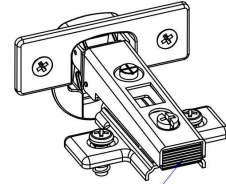
BL [1]	350	574	1	A1	1
BP [2]	350	574	1	E13	16
FT1 [3]	531	595	1	G	9
FT2 [4]	531	595	1	K	12
FT3 [5]	531	595	1	K1	2
PC1 [6]	576	519	2	KN	4
PC2 [7]	576	533	1	KR	2
PK1 [8]	507	321	2	M	12
PK2 [9]	518	321	1	NV=160mm	4
PPI01 [10]	331	558	1	PE	6
PPI02 [11]	331	558	1	PL	6
WD [12]	1567	331	1	PP3	12
WG [13]	1600	350	1	ST	5
				T	12
				W16	16
				W3	6
				W60	2
				Z	12
				ZPH	4
				ZPPH	2



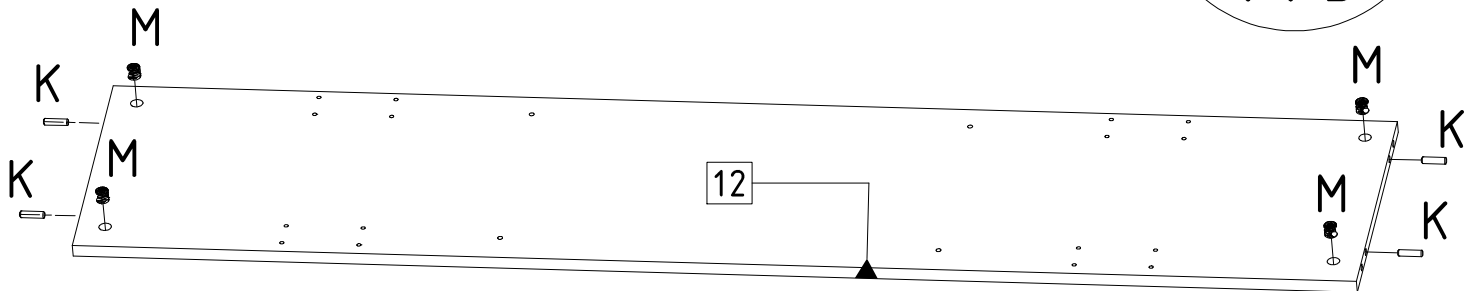
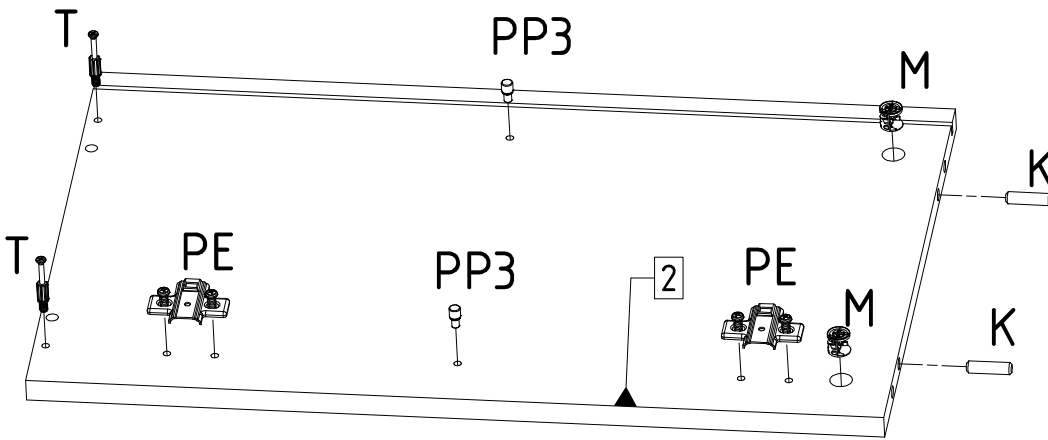
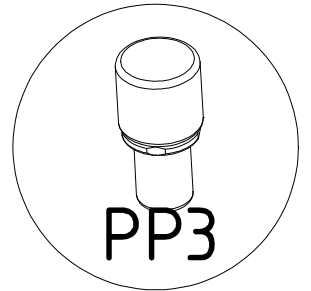
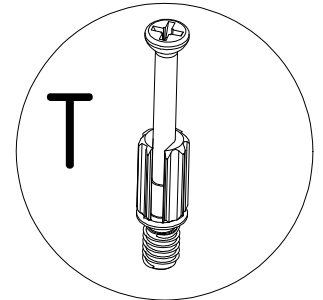
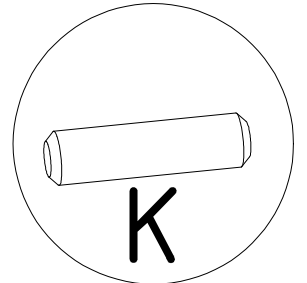
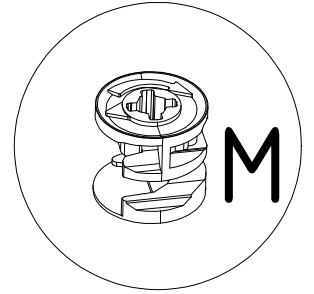
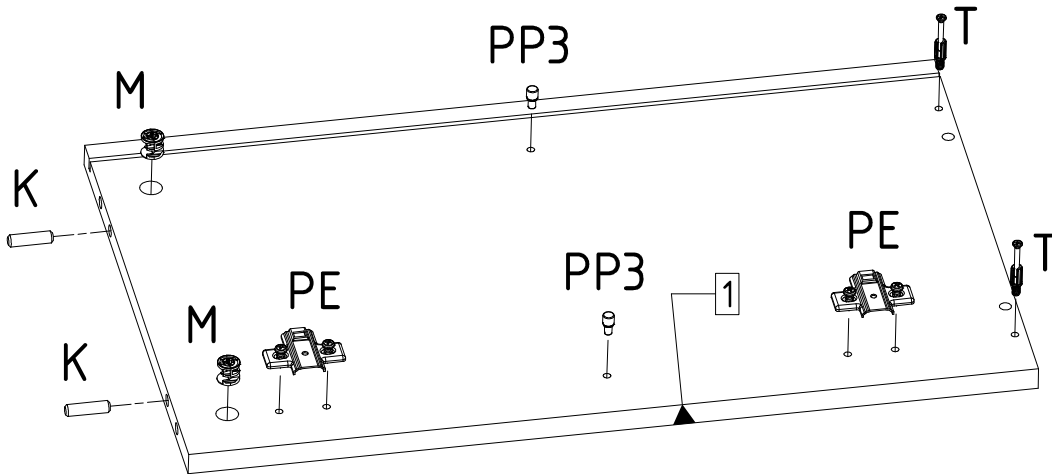
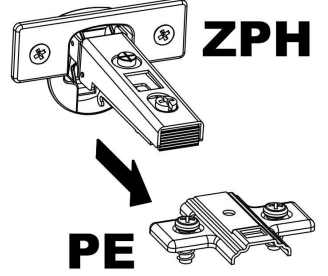
1.

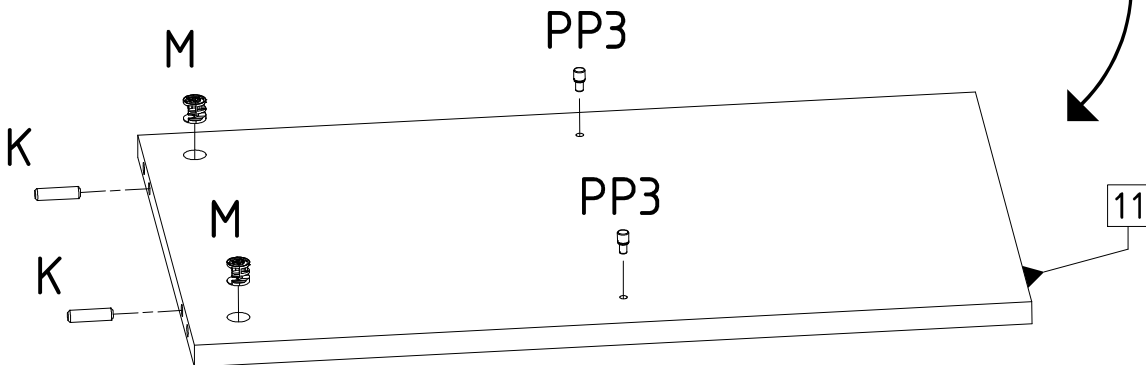
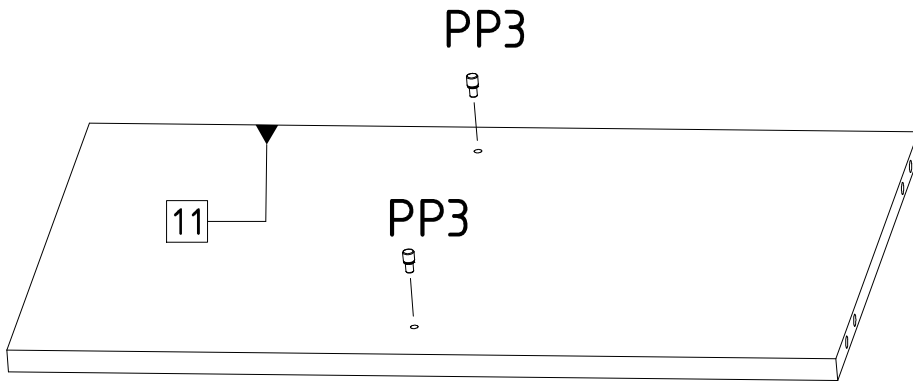
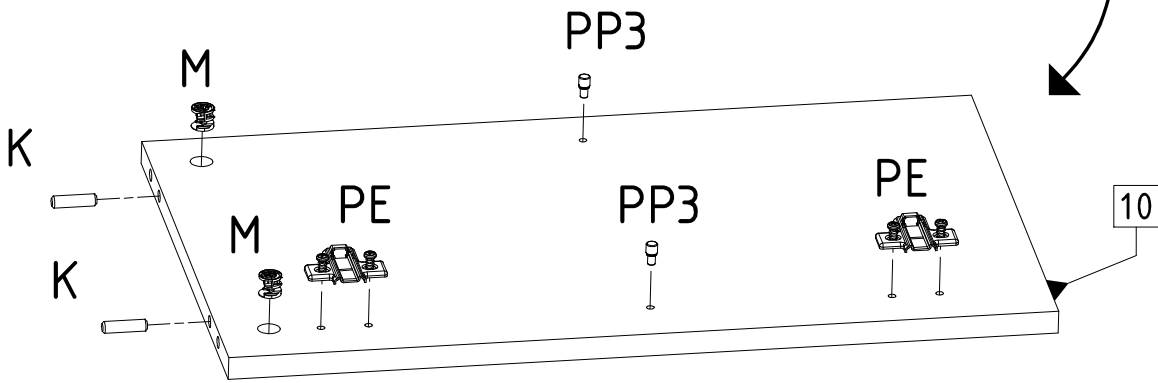
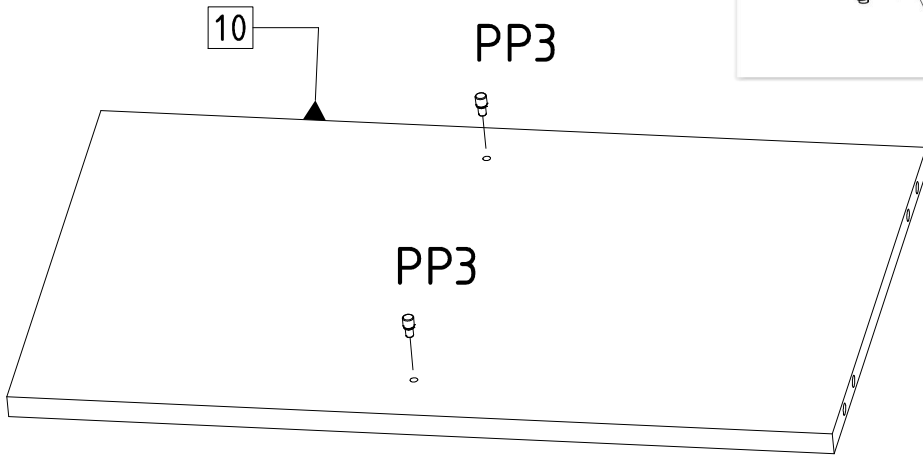
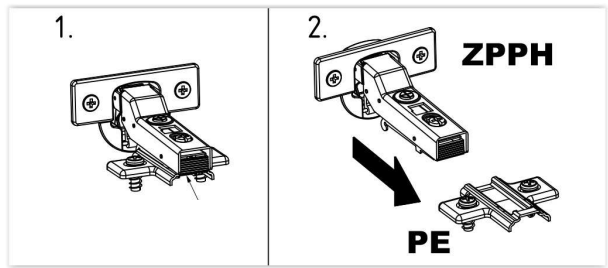


1.

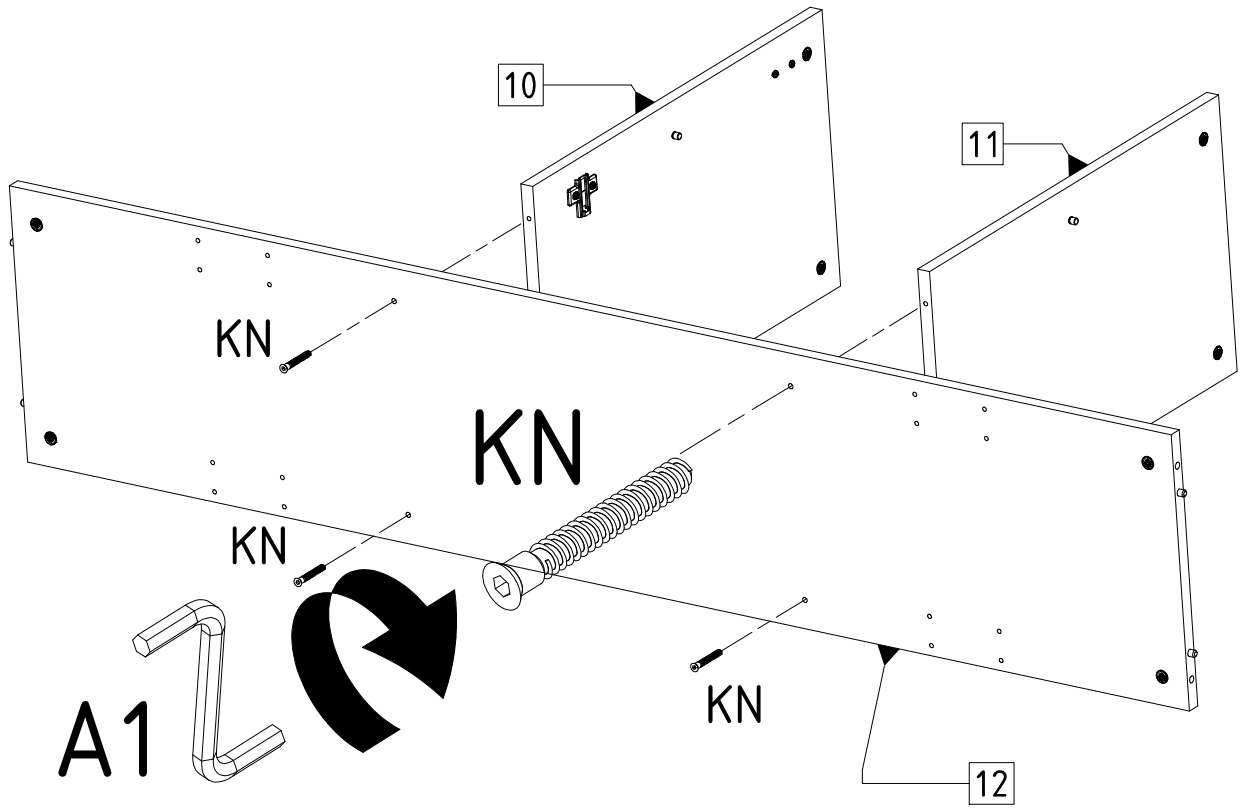


2.

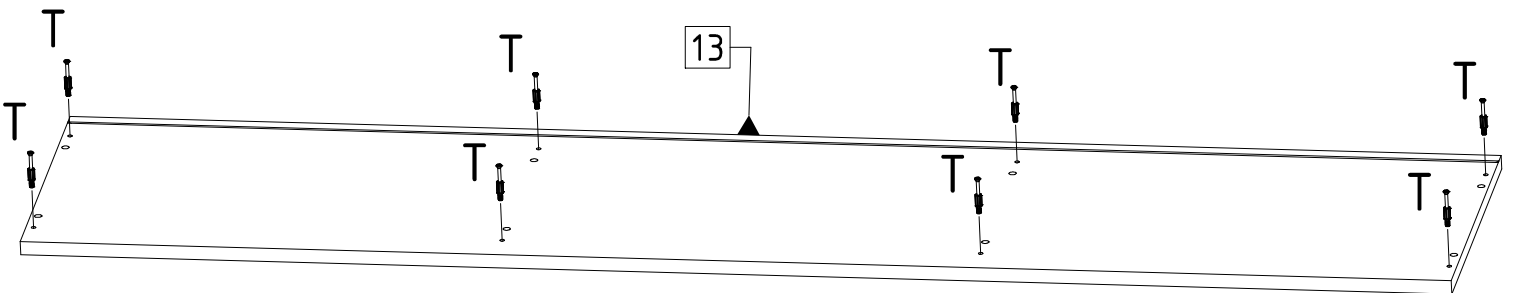
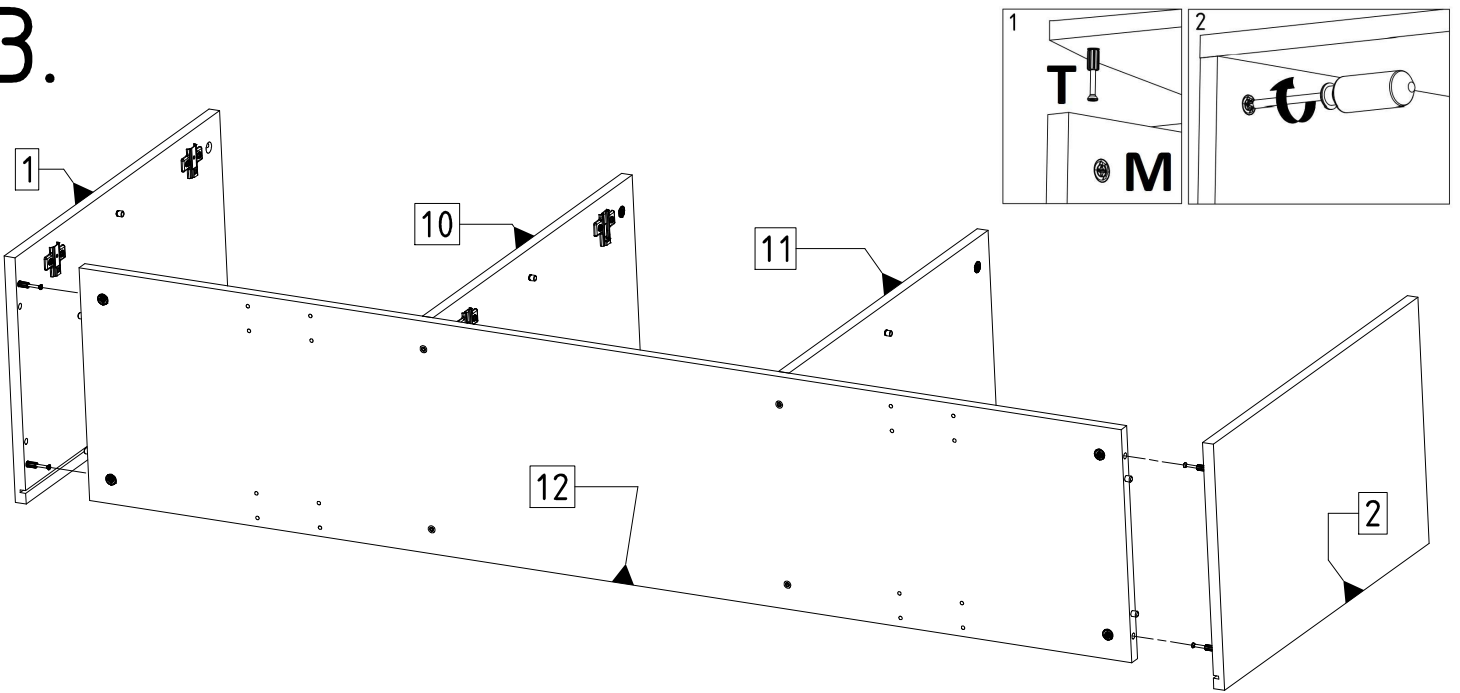




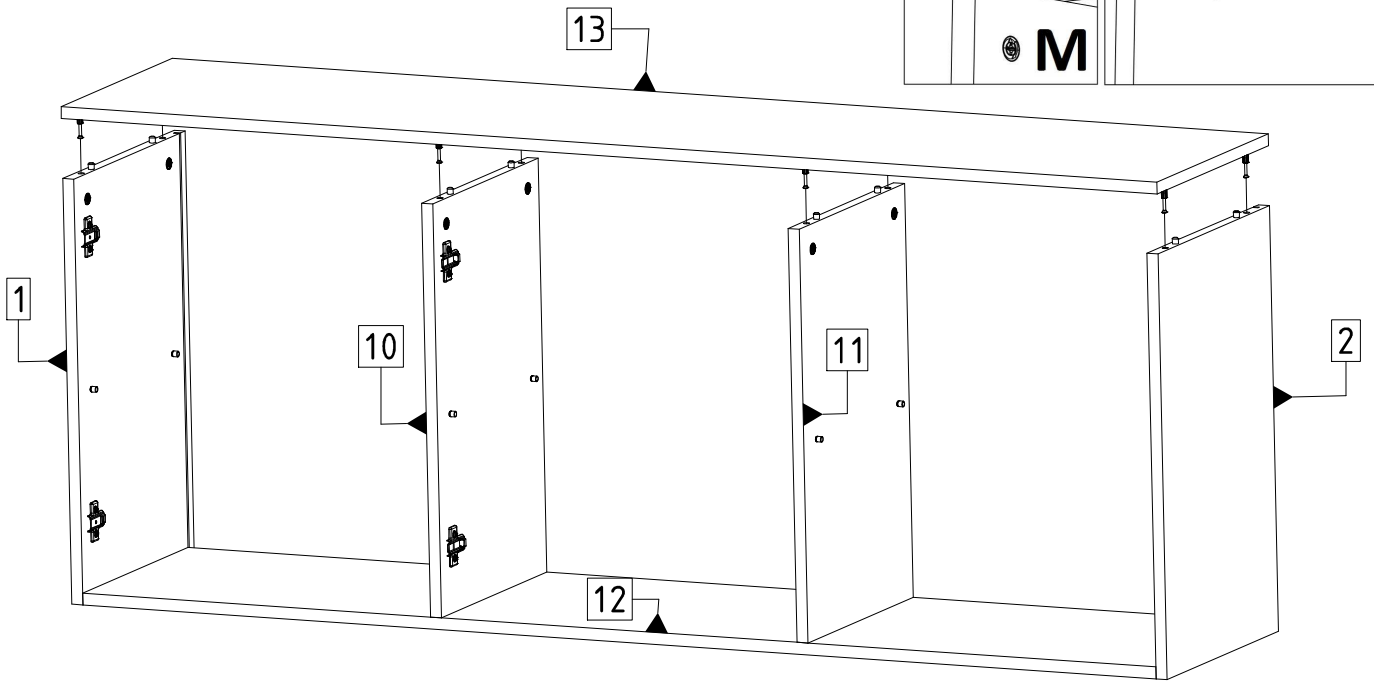
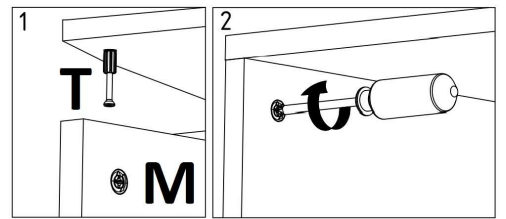
2.



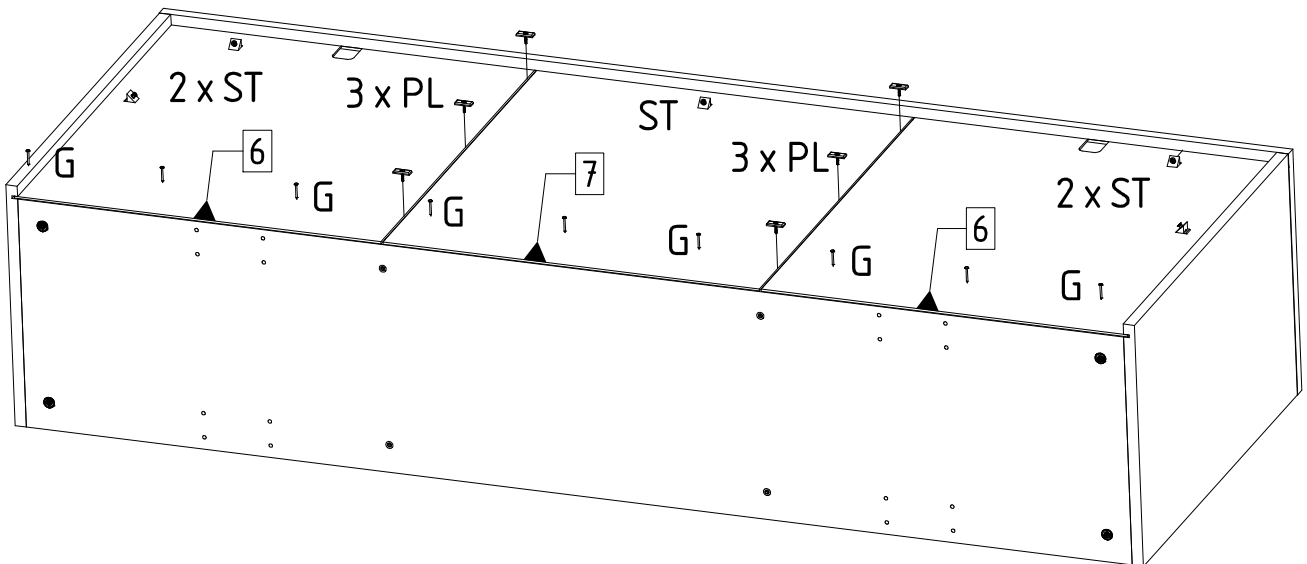
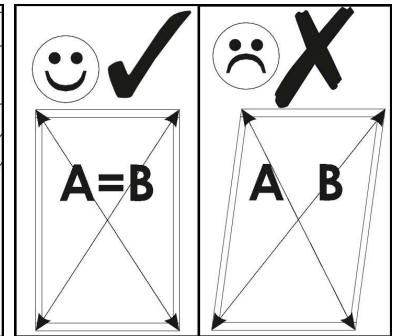
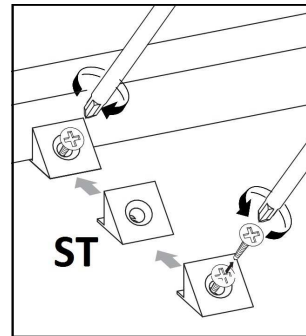
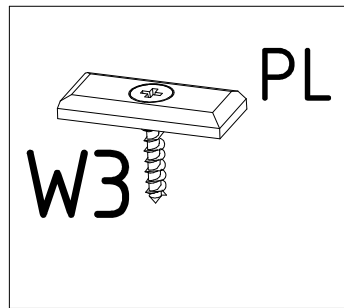
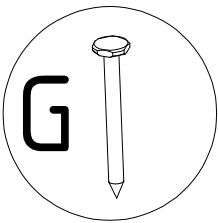
3.



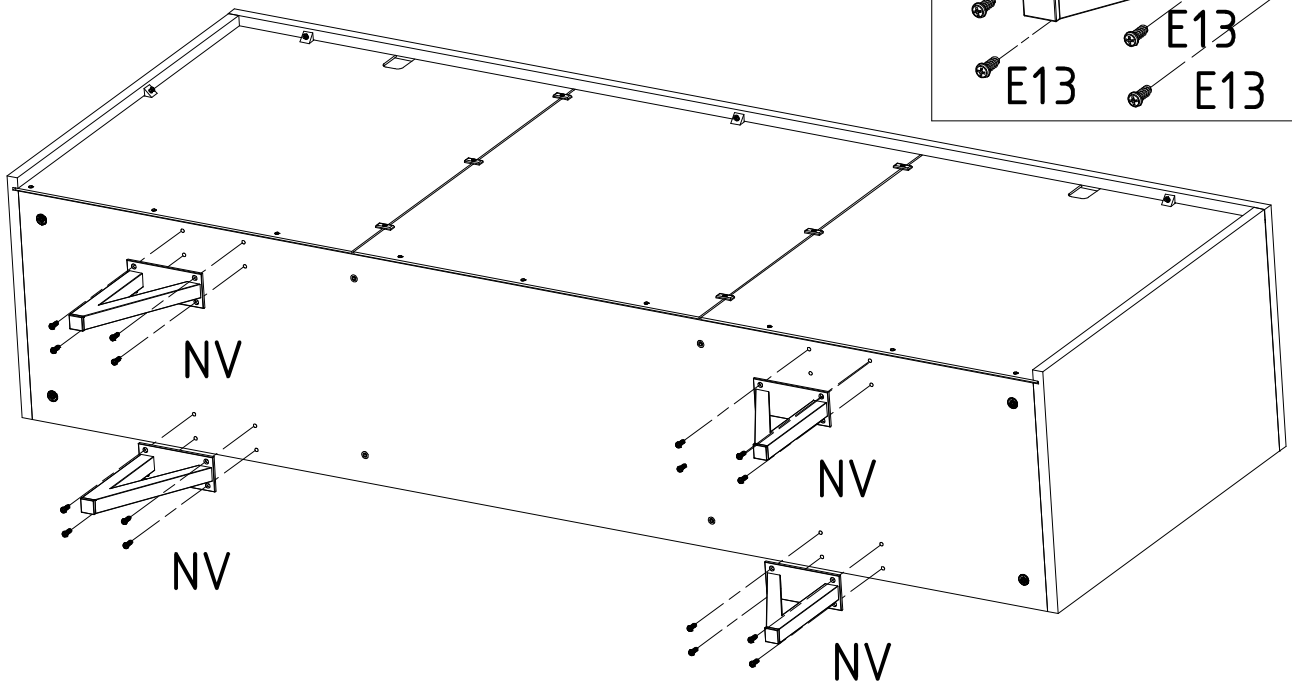
4.



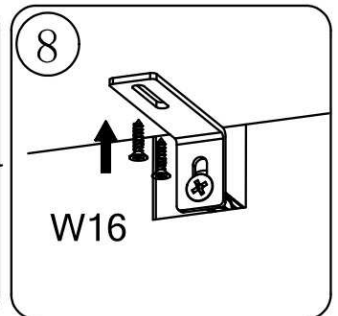
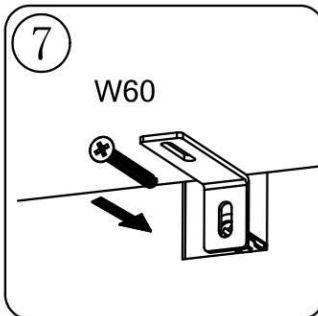
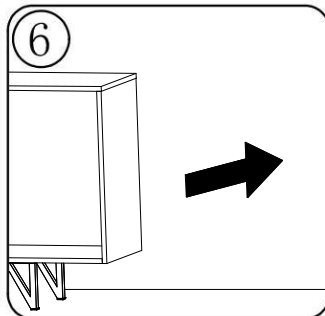
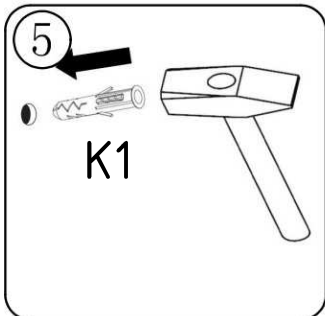
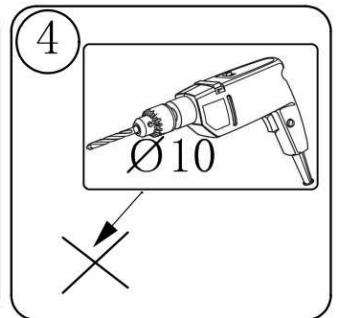
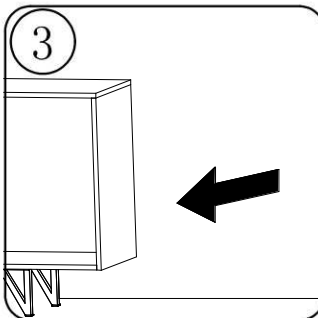
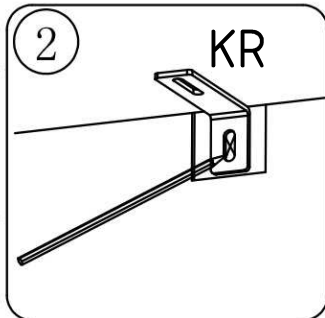
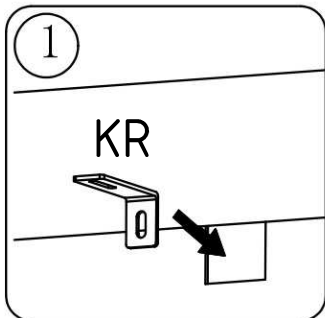
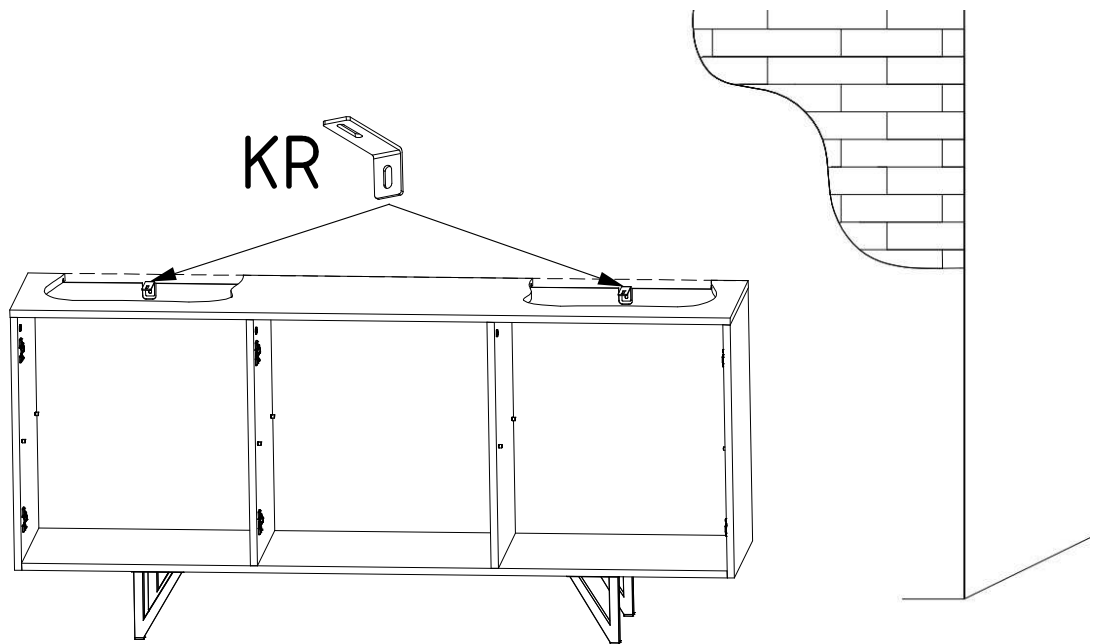
5.



6.

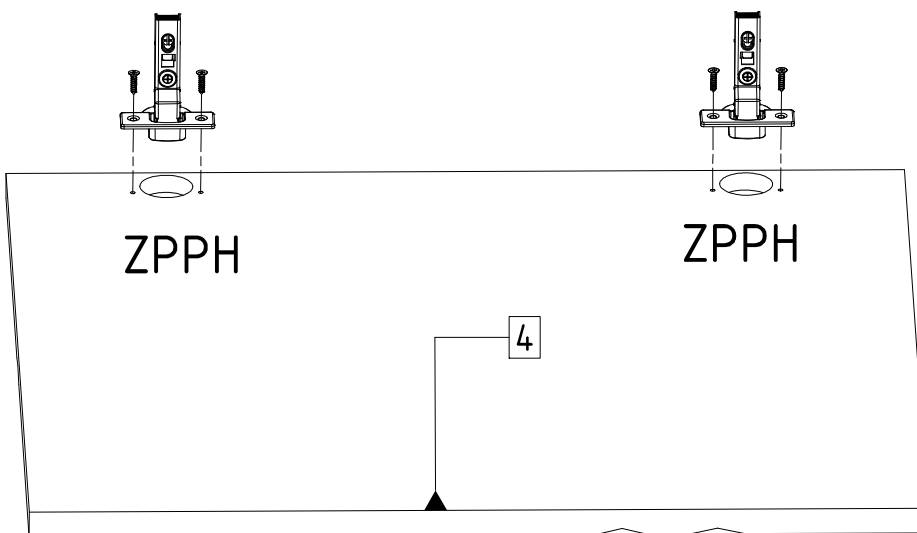
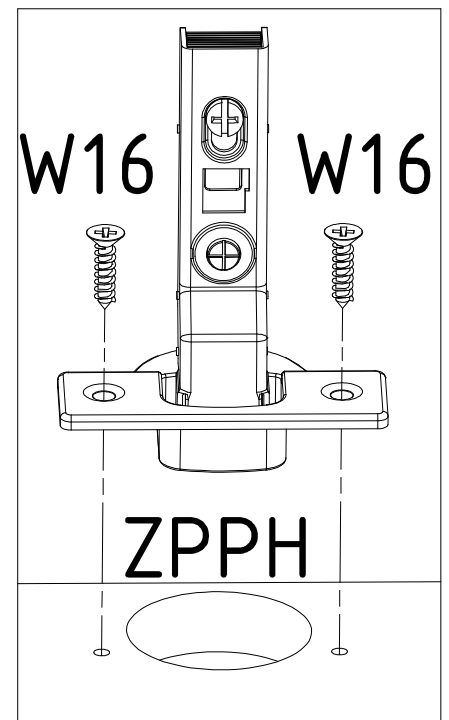
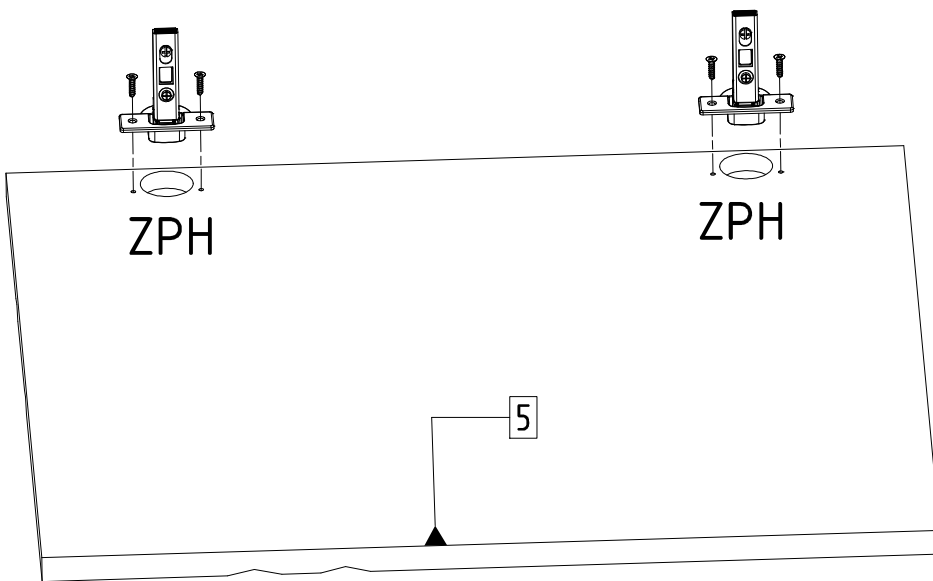
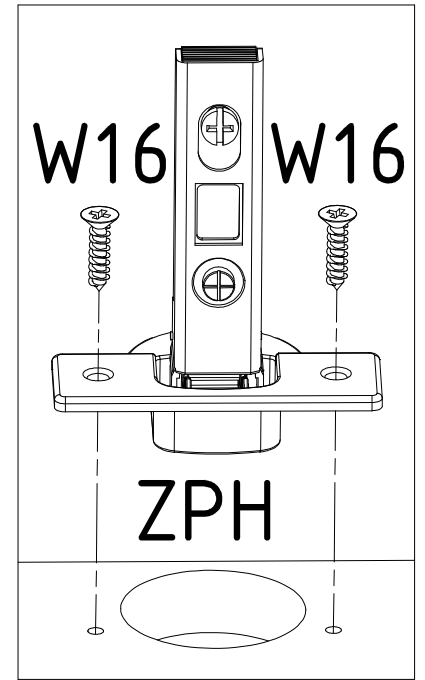
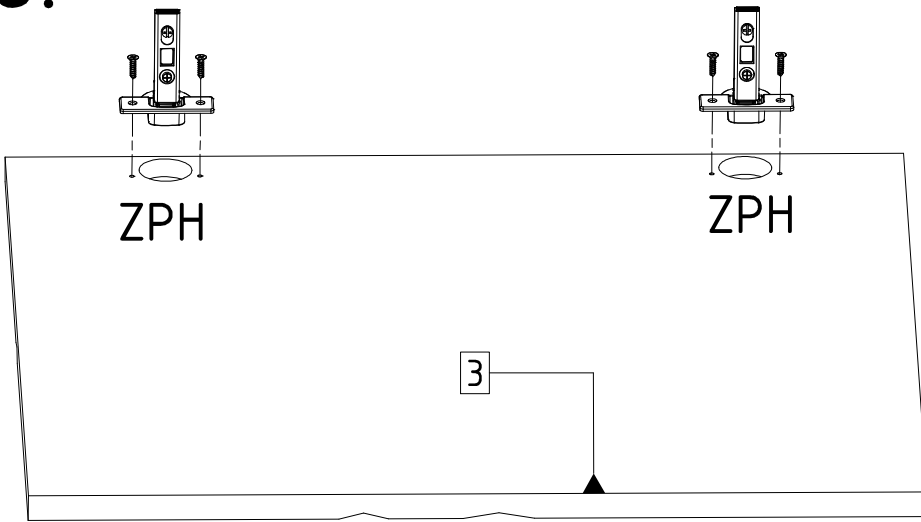


7.

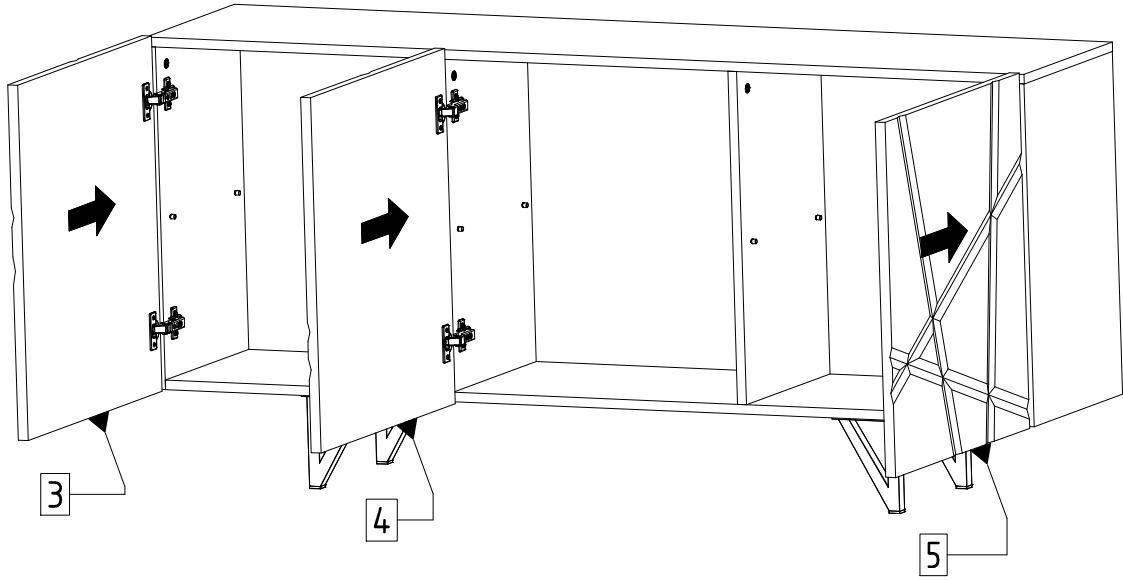
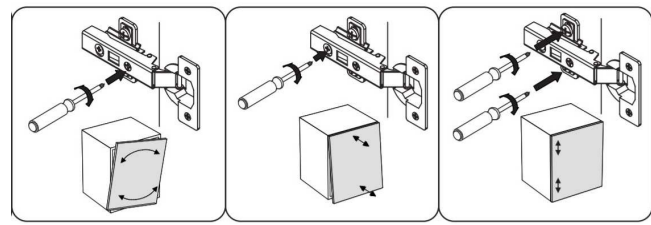
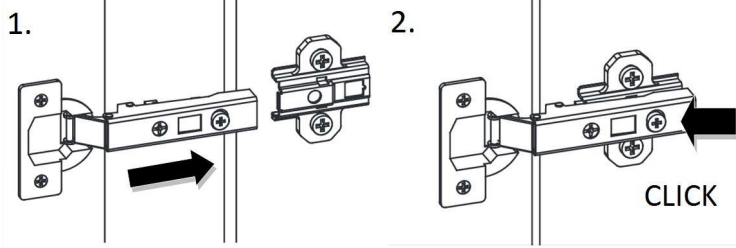




8.



# 9.



# 10.

