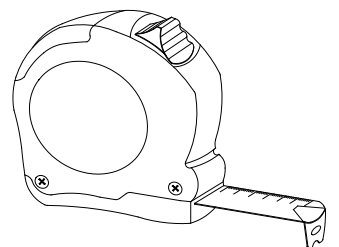
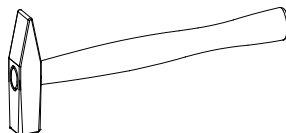
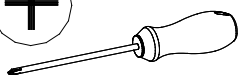
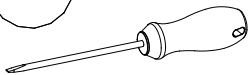
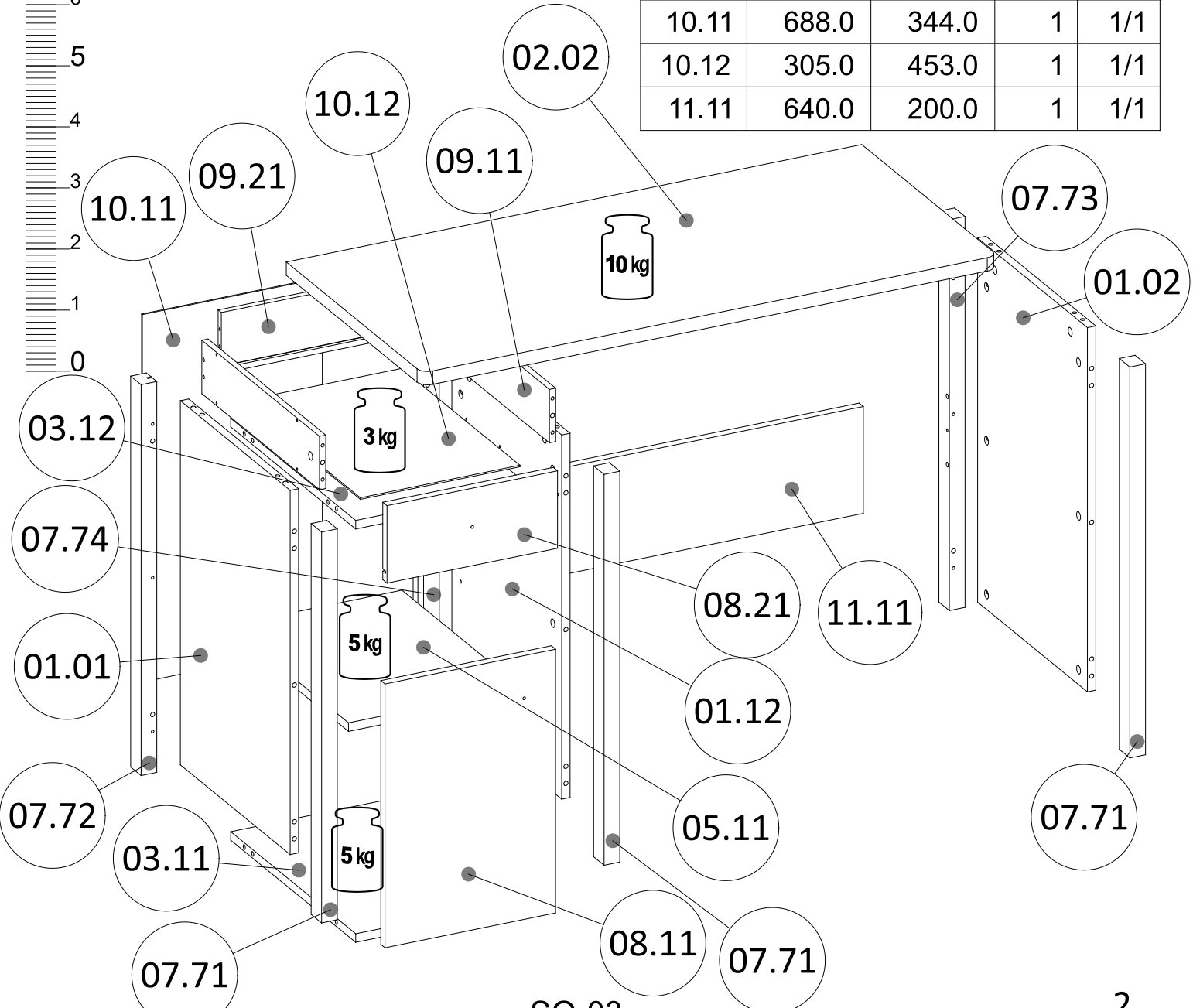
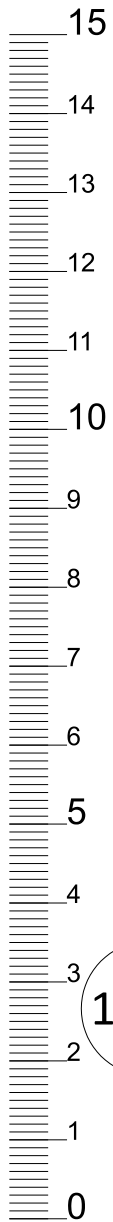
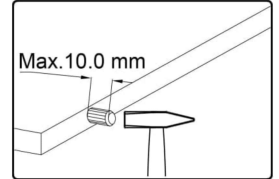
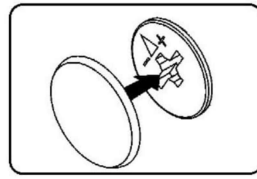
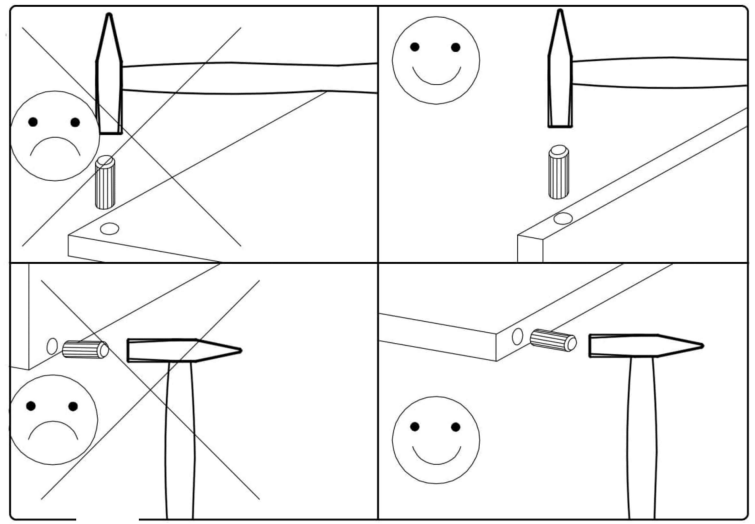
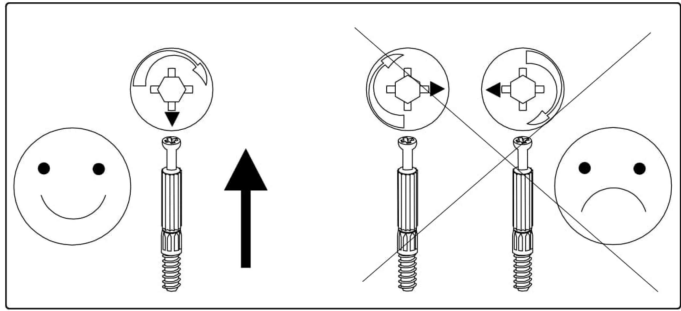
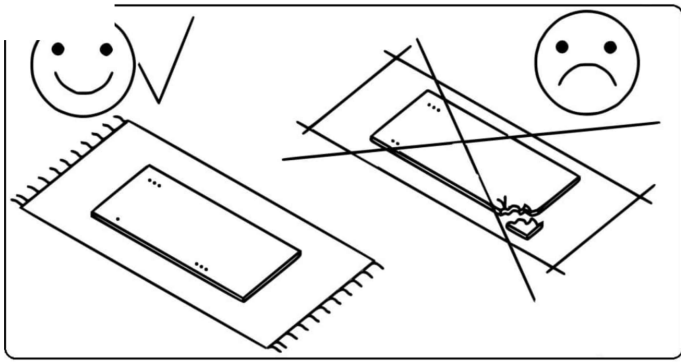


90 min



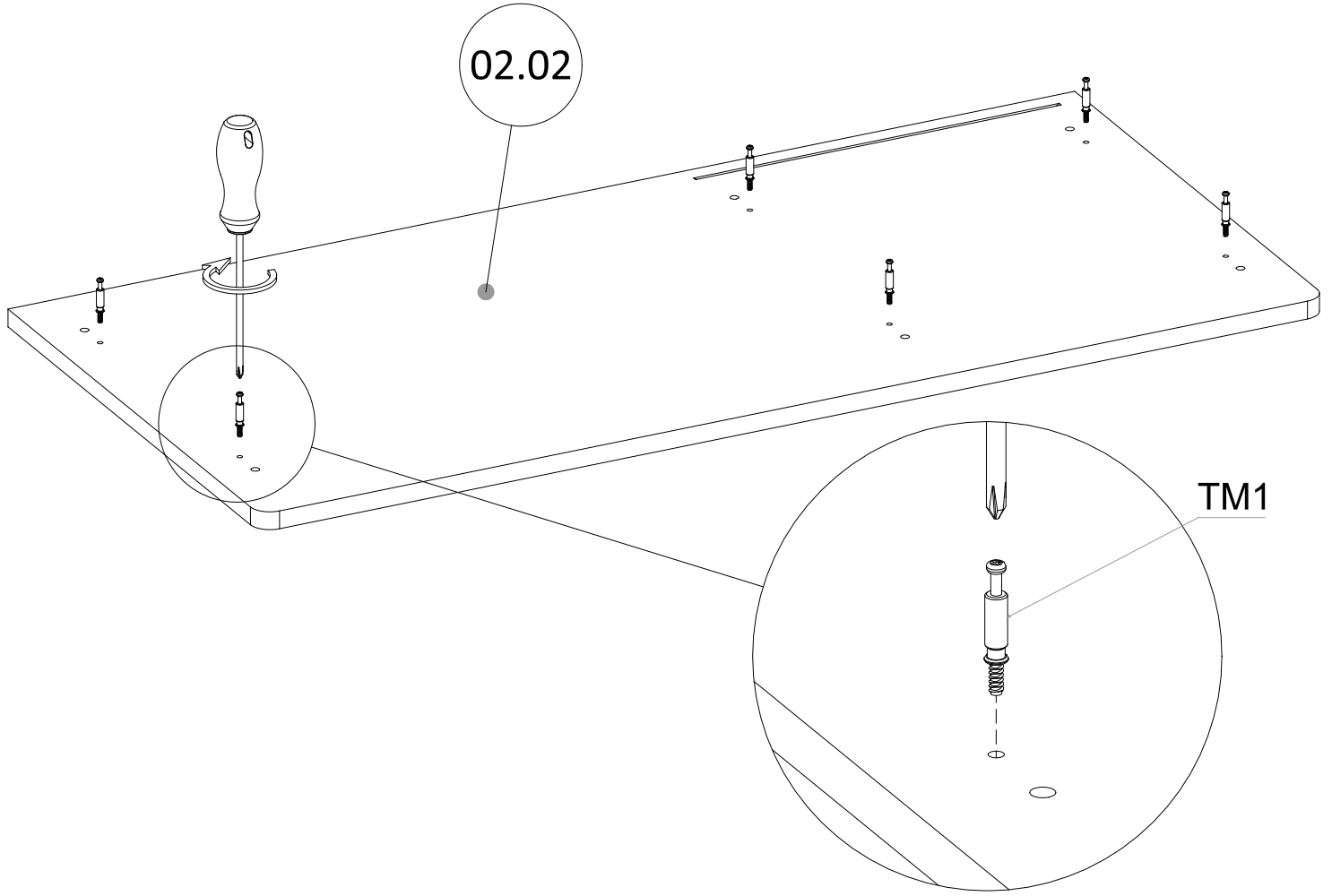
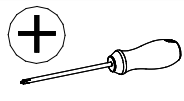
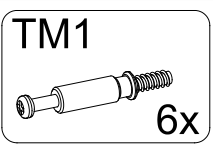
01.01	682.0	420.0	1	1/1
01.02	682.0	420.0	1	1/1
01.12	682.0	420.0	1	1/1
02.02	1100.0	520.0	1	1/1
03.11	330.0	478.0	1	1/1
03.12	330.0	478.0	1	1/1
05.11	330.0	456.0	1	1/1
07.71	732.0	40.0	3	1/1
07.72	732.0	40.0	1	1/1
07.73	732.0	40.0	1	1/1
07.74	732.0	40.0	1	1/1
08.11	494.0	326.0	1	1/1
08.21	326.0	145.0	1	1/1
09.11	450.0	100.0	2	1/1
09.21	281.0	114.0	1	1/1
10.11	688.0	344.0	1	1/1
10.12	305.0	453.0	1	1/1
11.11	640.0	200.0	1	1/1



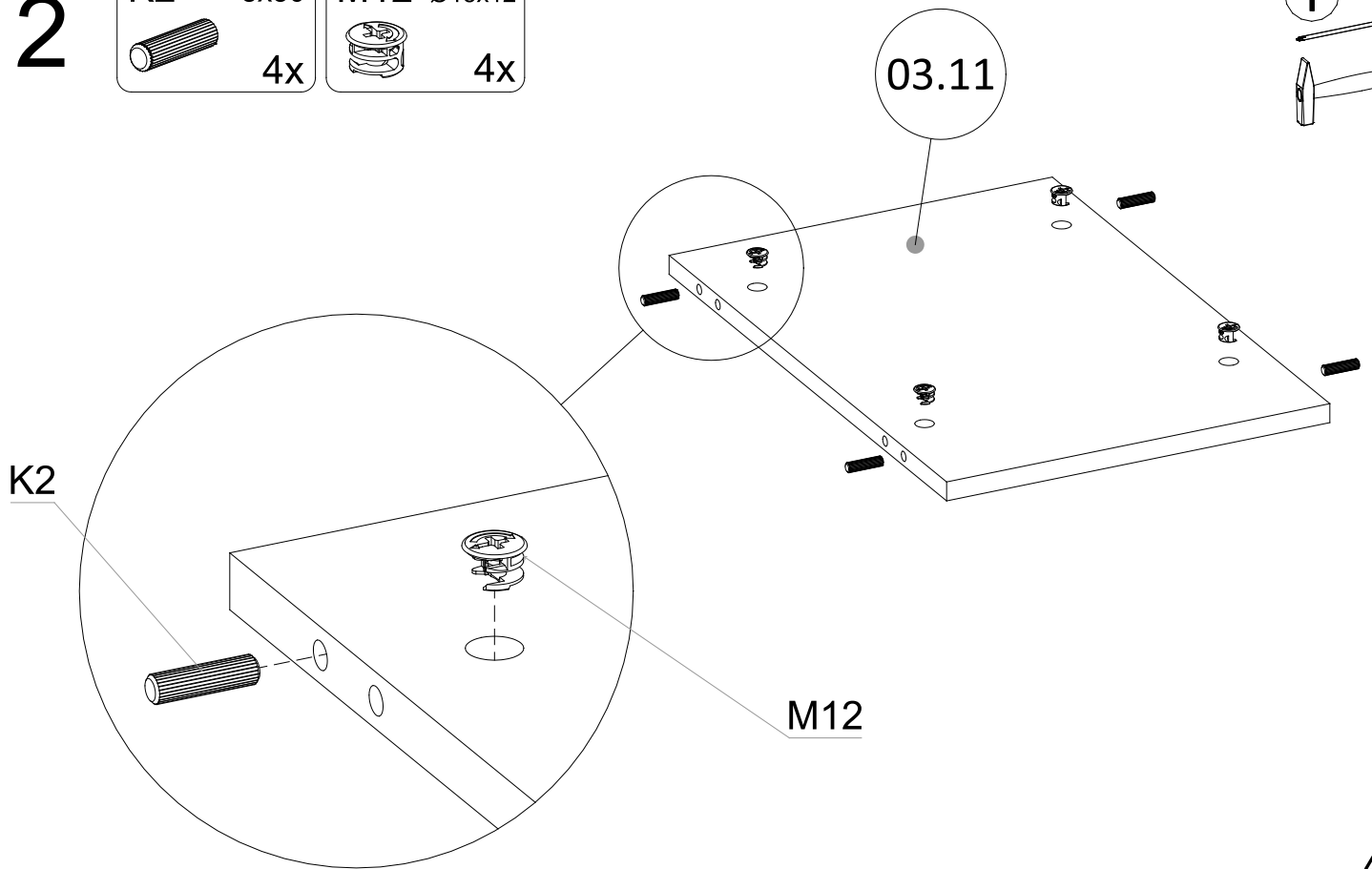
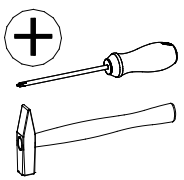
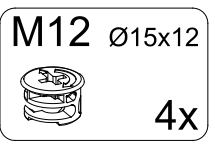
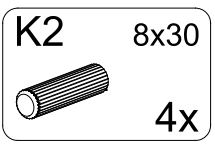


						WE61 5x13 6x
H2E 2x	K1 6x30 4x	KP 6x40 4x	PR5 L=450 1x	M10 Ø15x10 2x	WE66 5x9 4x	
SG 6x	ULN Ø26 2x	W7 4x13 4x	TK 8x	W36 4x25 2x	Z2 2x	
K2 8x30 30x	M12 Ø15x12 34x	TM1 36x	NA20 Ø20 318 24x	PP6 Ø5 4x	G2 2,0x20 4x	

1

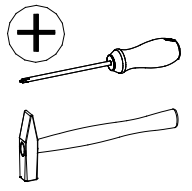


2



3

- K2 8x30 4x
- M12 Ø15x12 4x



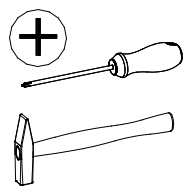
03.12

K2

M12

4

- K2 8x30 6x
- TM1 4x
- M12 Ø15x12 8x
- PP6 Ø5 2x



PP6

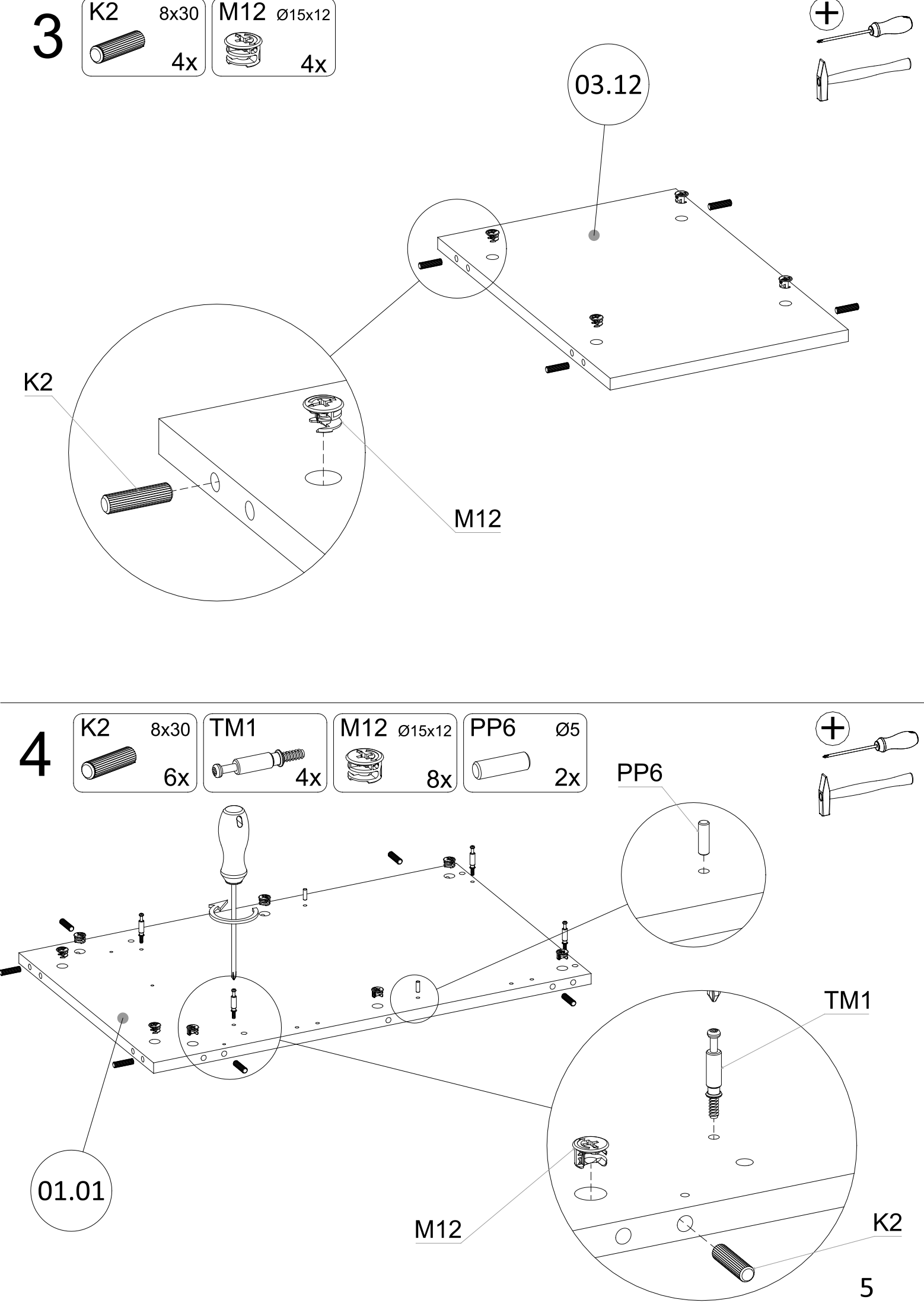
TM1

01.01

M12

K2

5



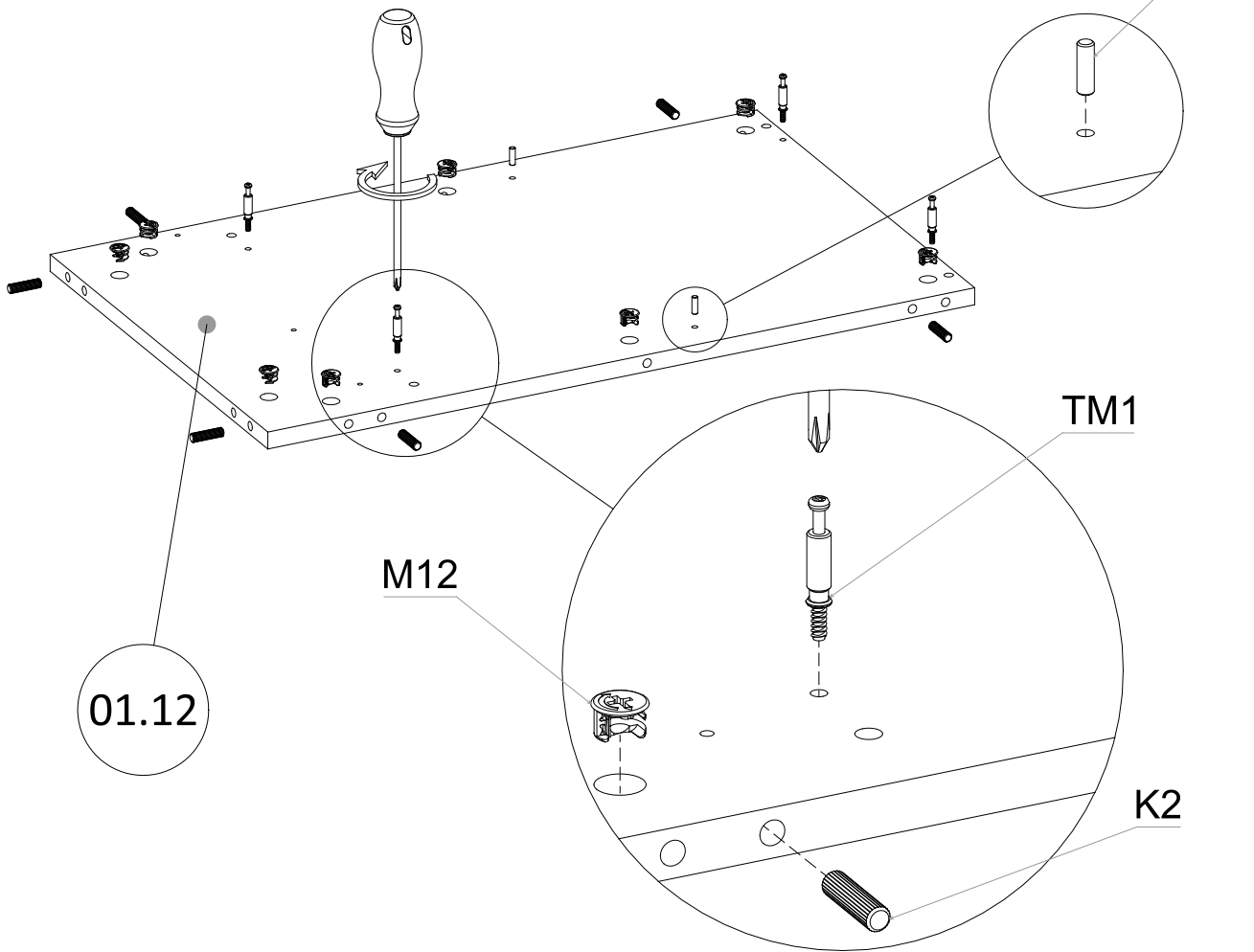
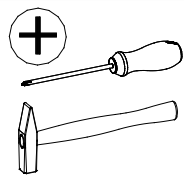
5

K2 8x30
6x

TM1
4x

M12 Ø15x12
8x

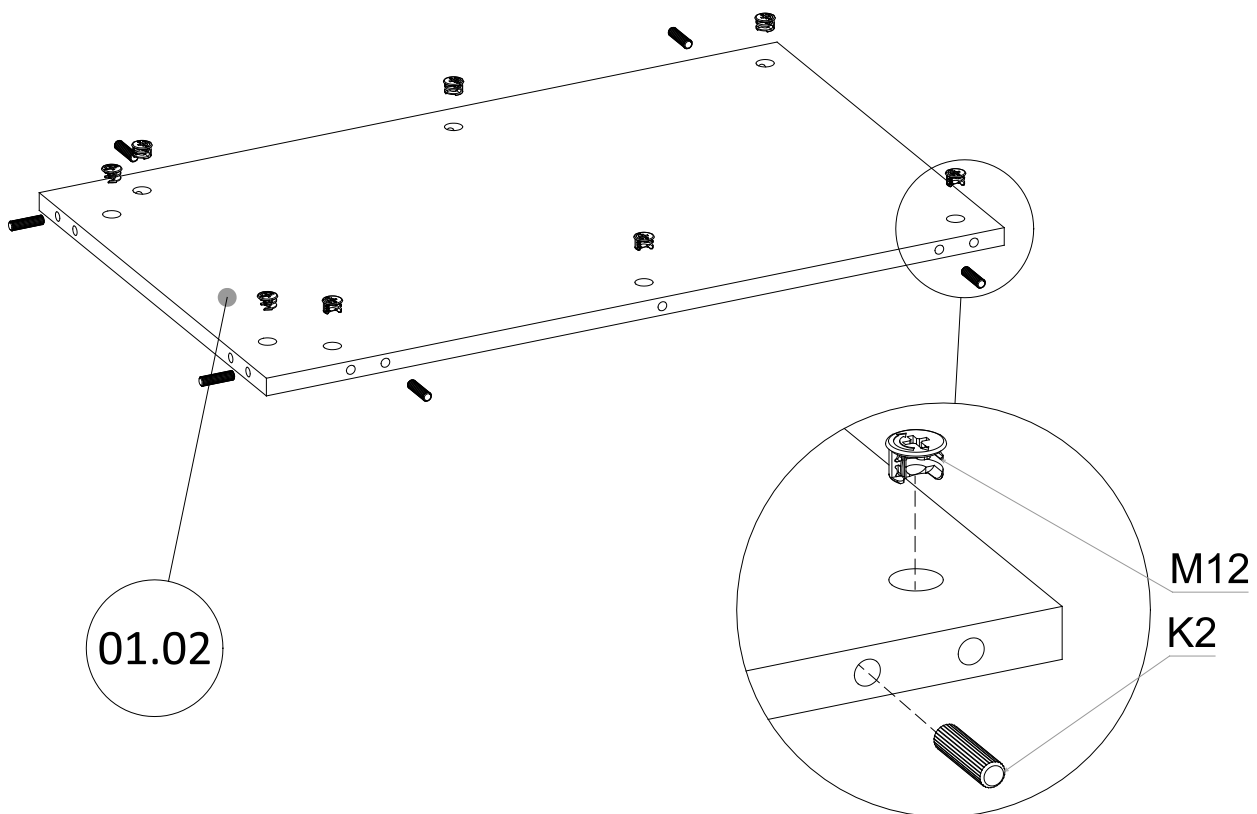
PP6 Ø5
2x



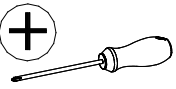
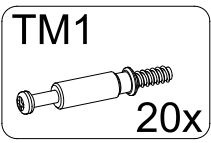
6

K2 8x30
6x

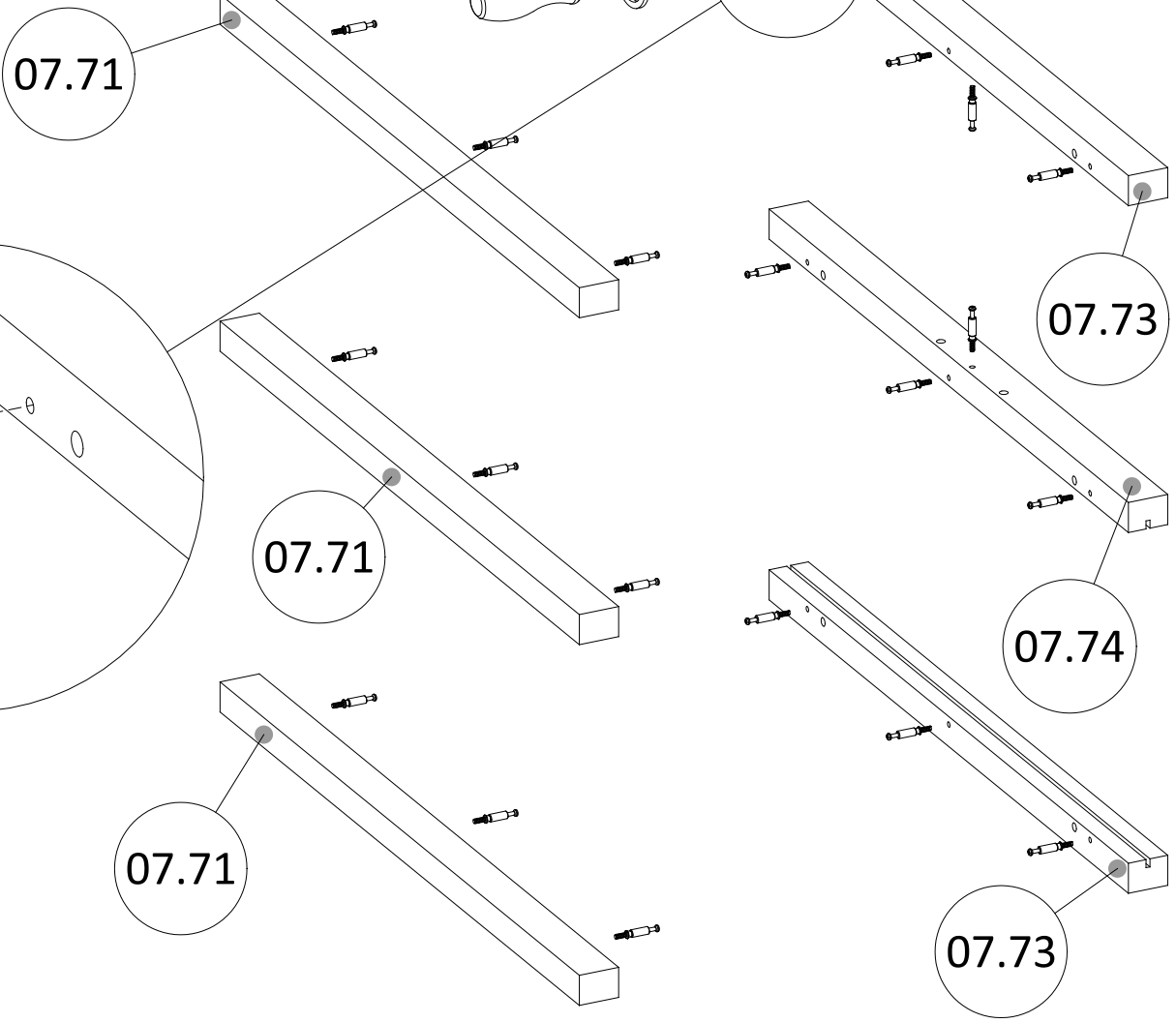
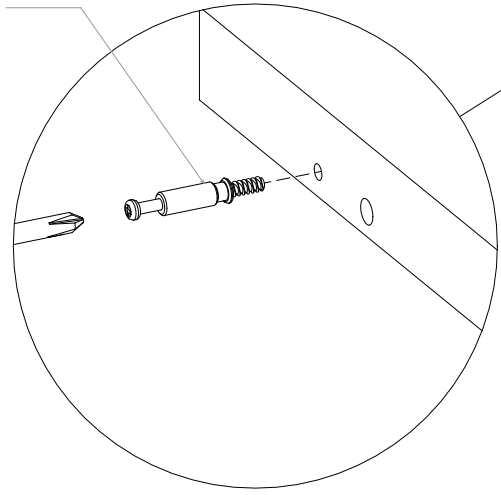
M12 Ø15x12
8x



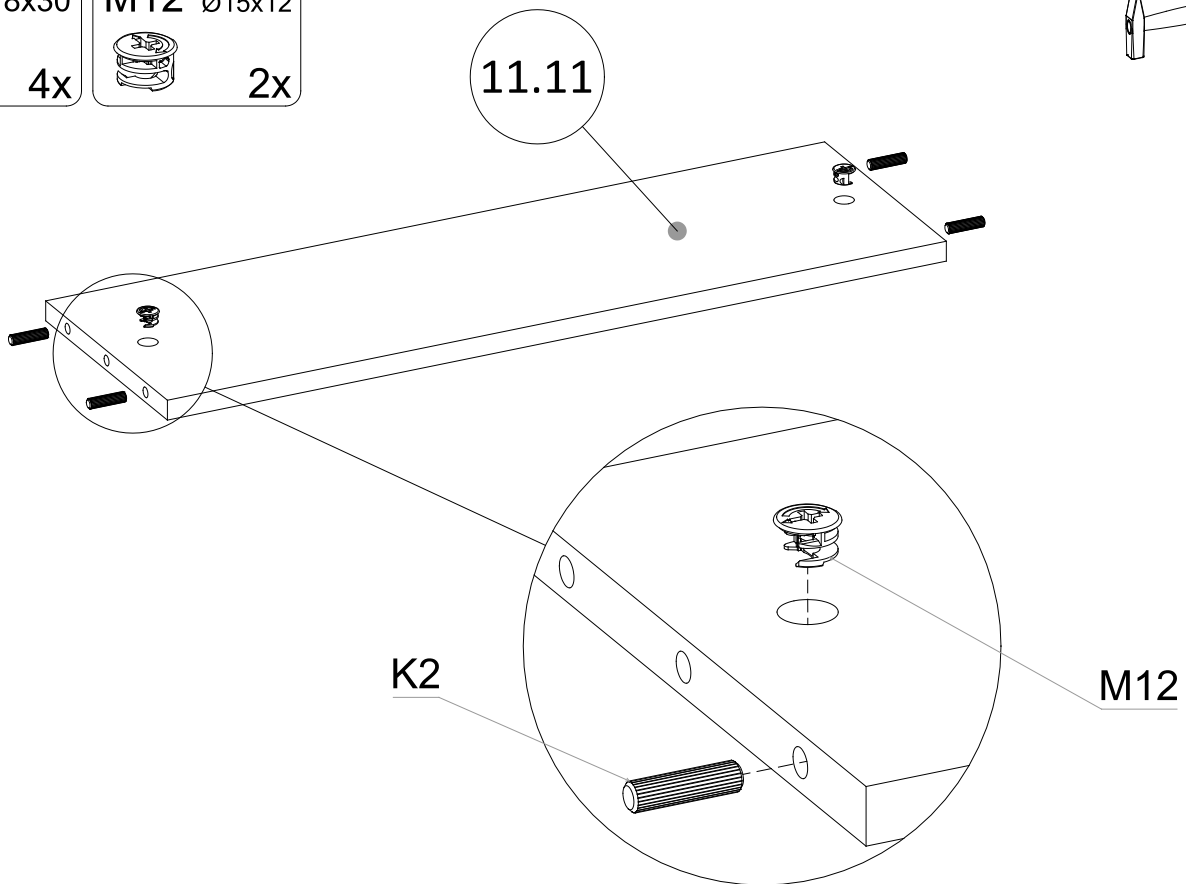
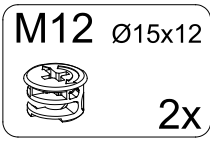
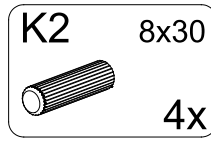
7



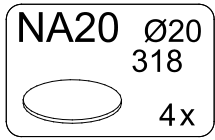
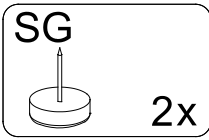
TM1



8

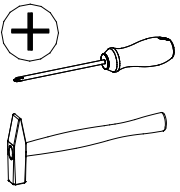


9



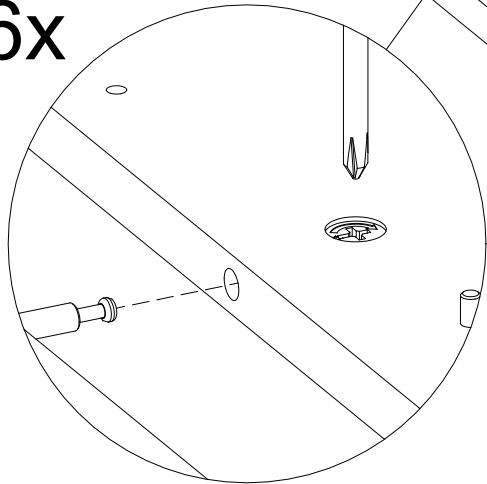
01.01

07.72

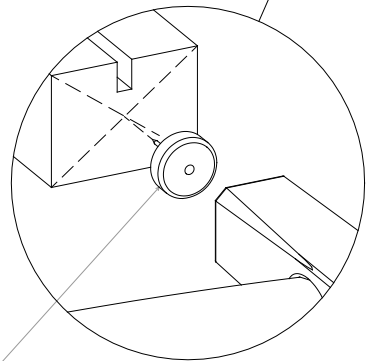


07.71

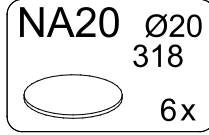
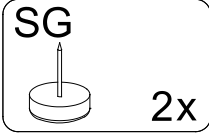
6x



SG

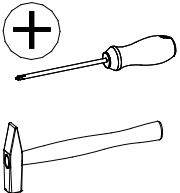


10



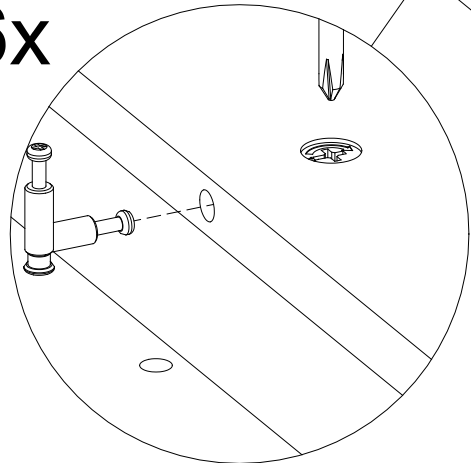
01.02

07.71

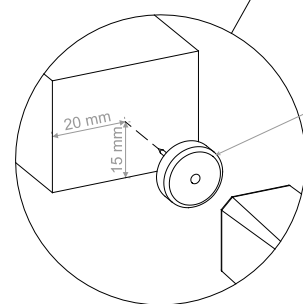


07.73

6x

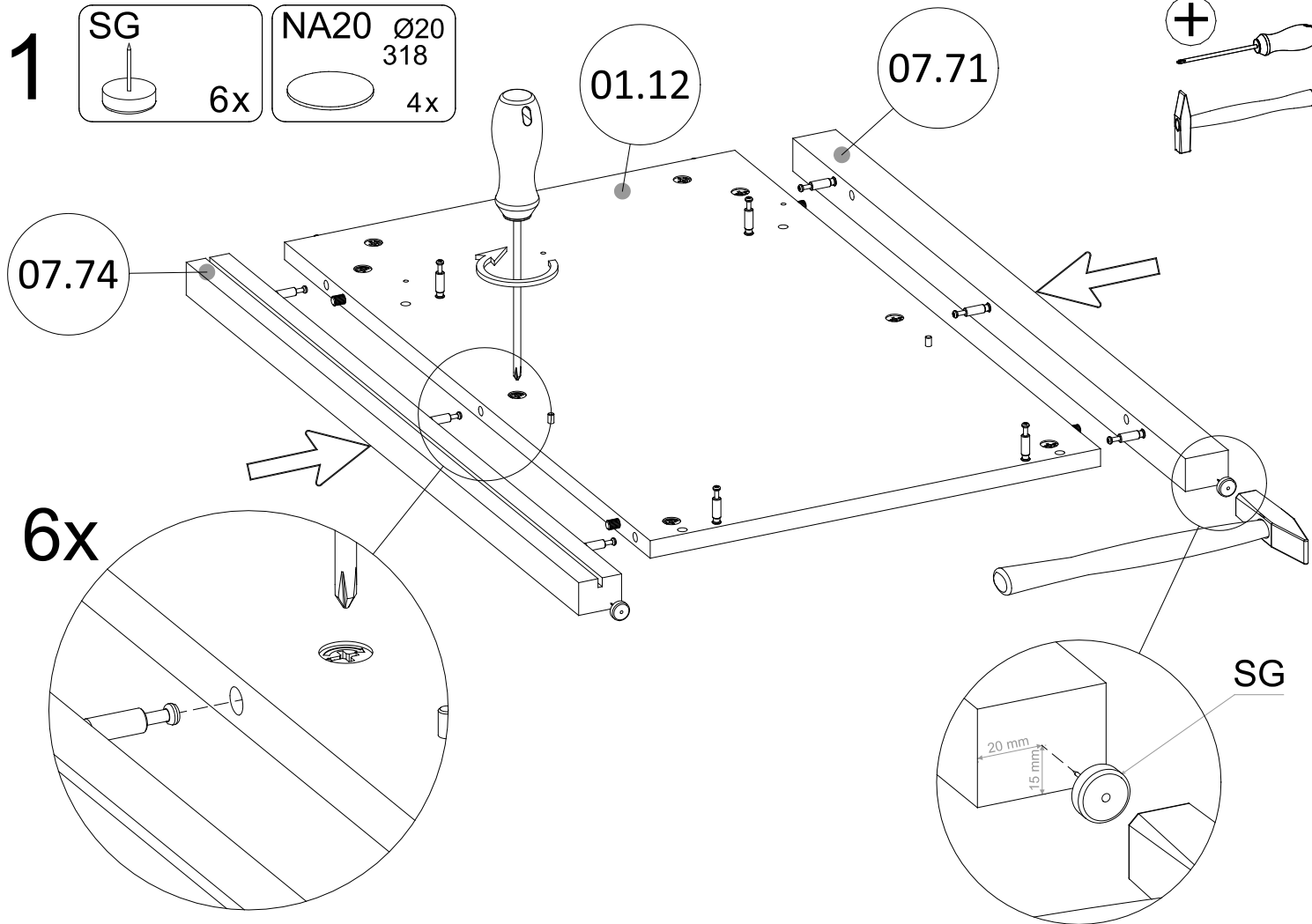
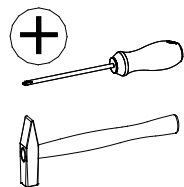
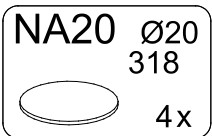
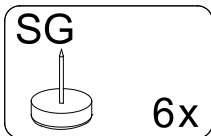


SG

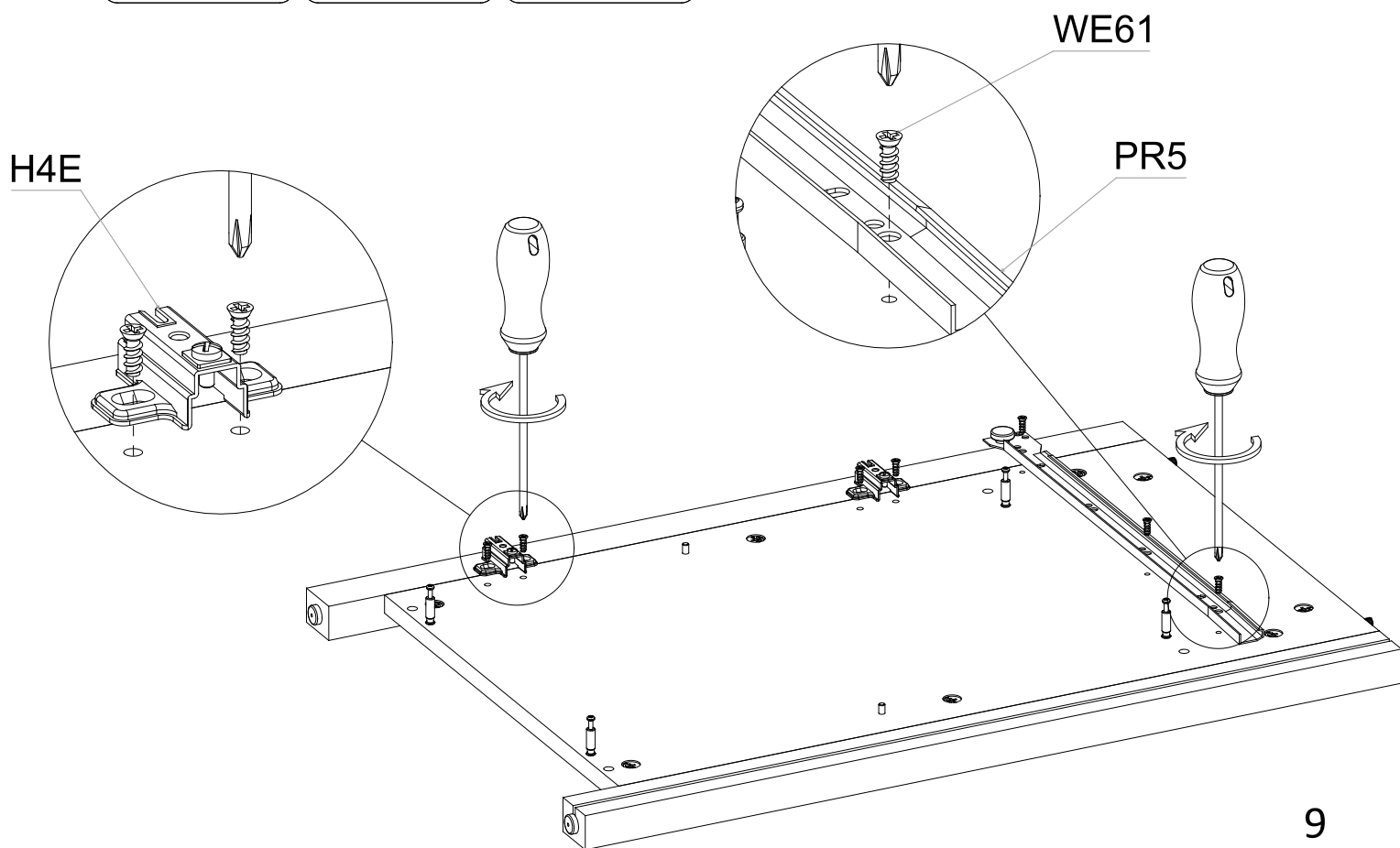
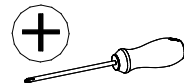
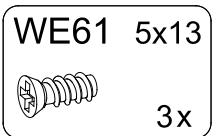
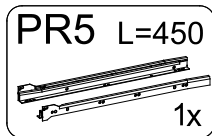
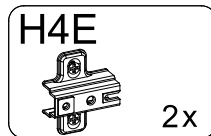


8

11



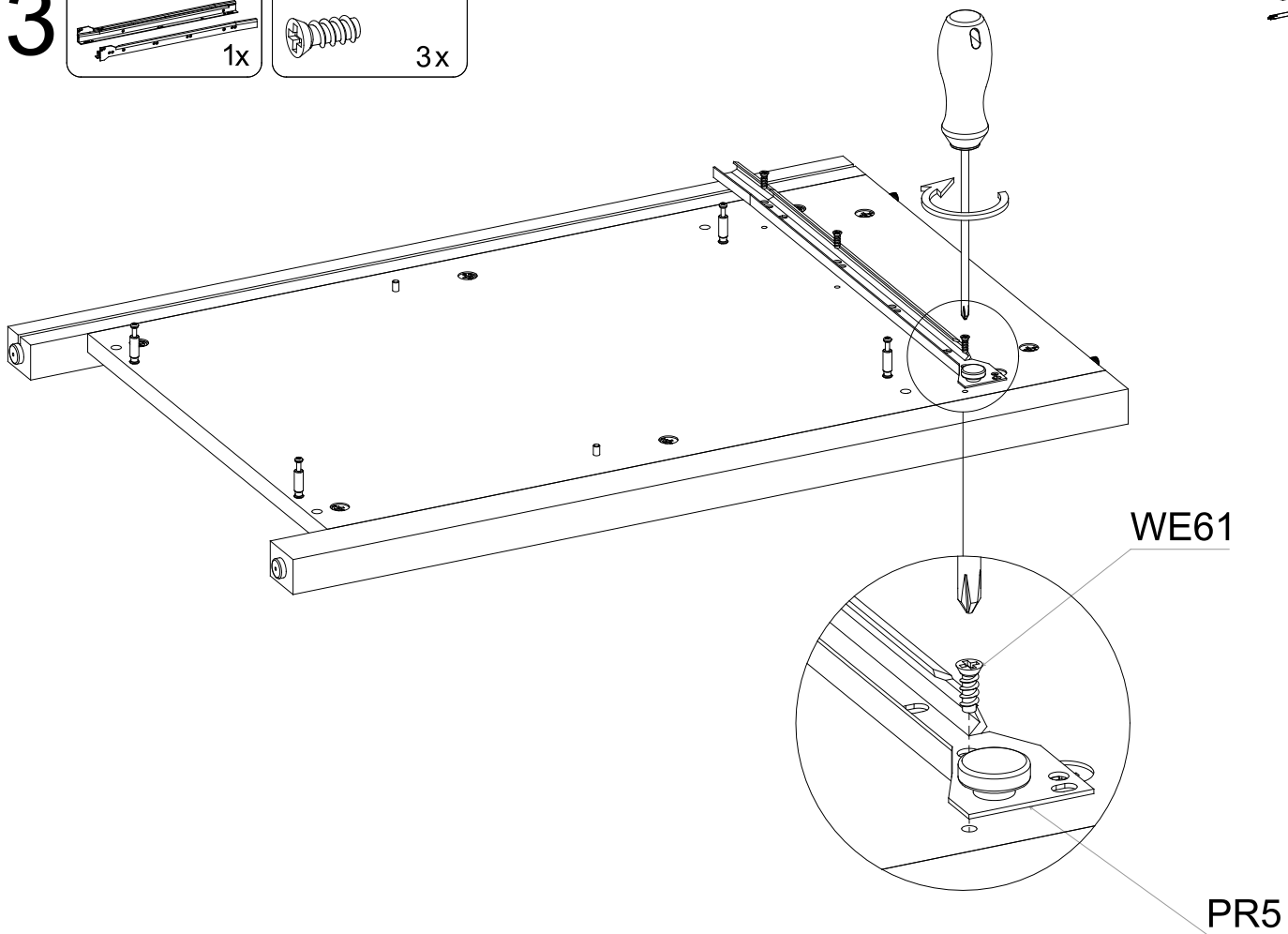
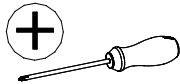
12



13

PR5 L=450
1x

WE61 5x13
3x



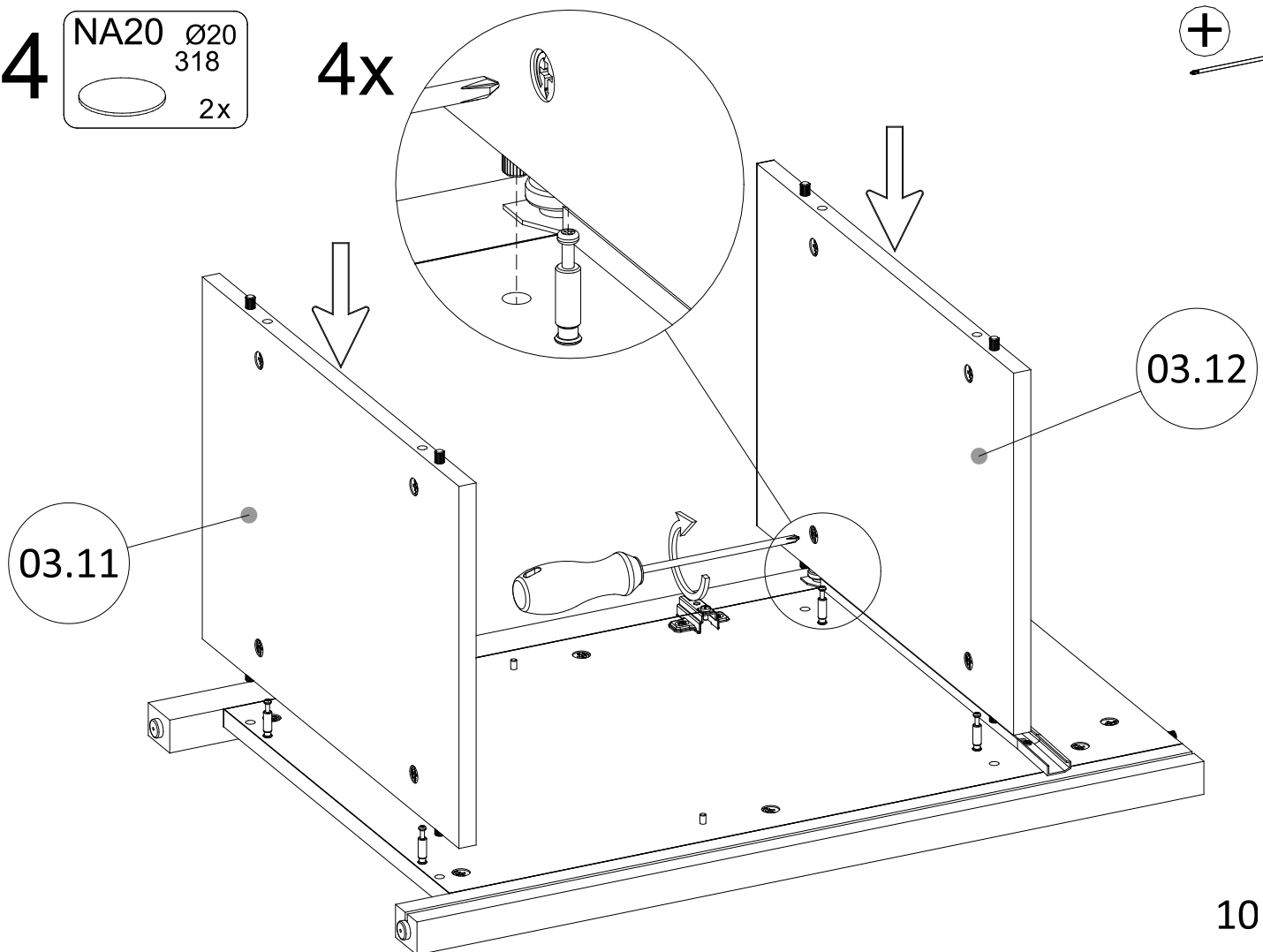
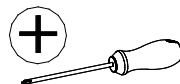
WE61

PR5

14

NA20 Ø20
318
2x

4x

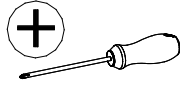


03.11

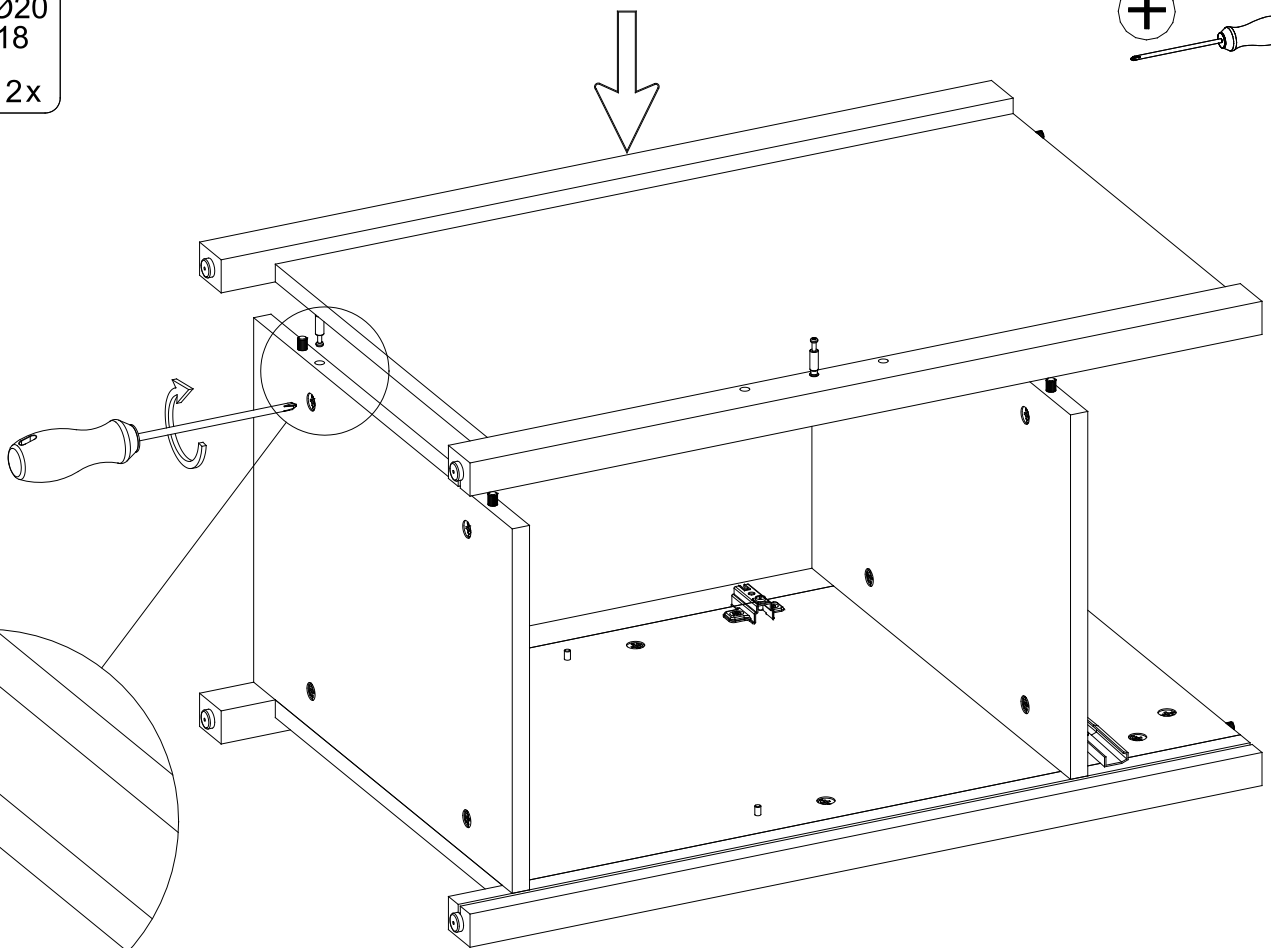
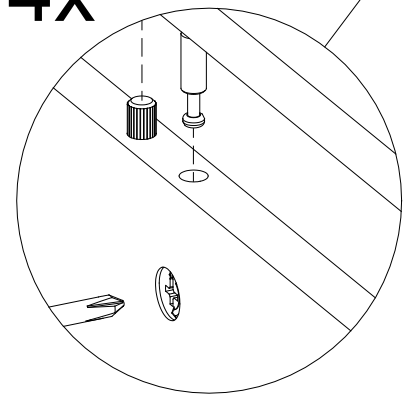
03.12

15

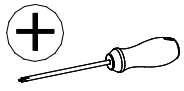
NA20 Ø20
318
2x



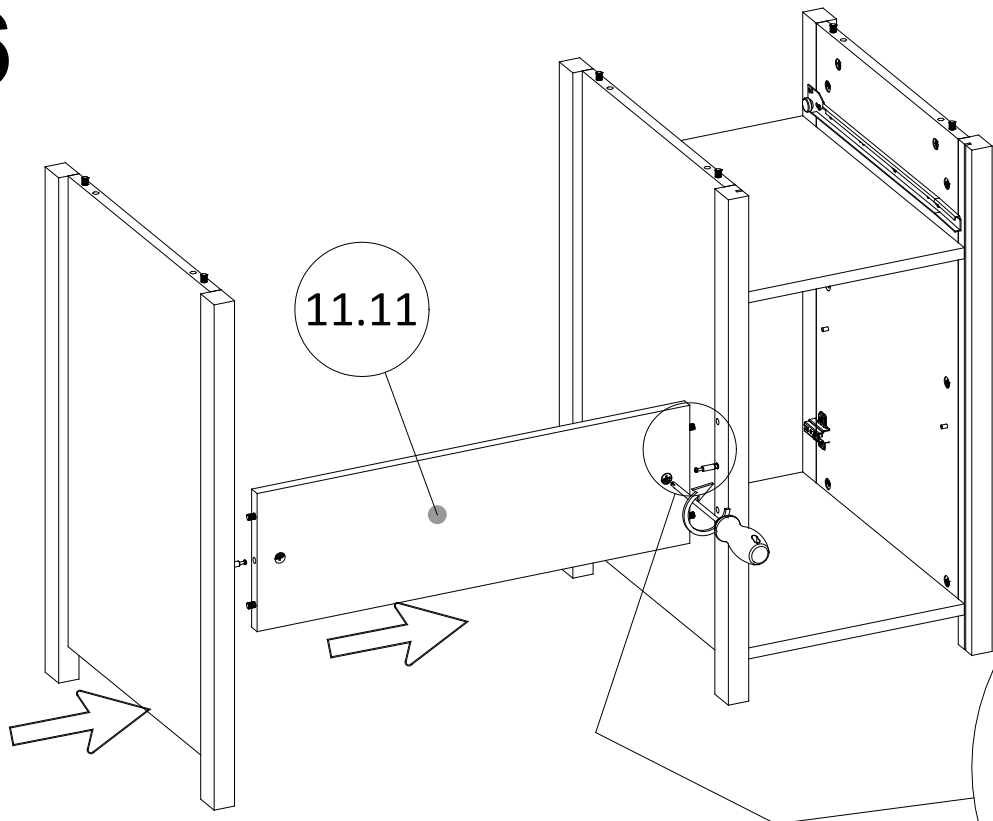
4x



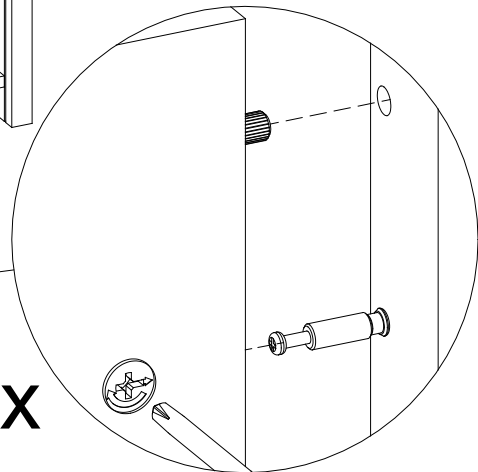
16



11.11



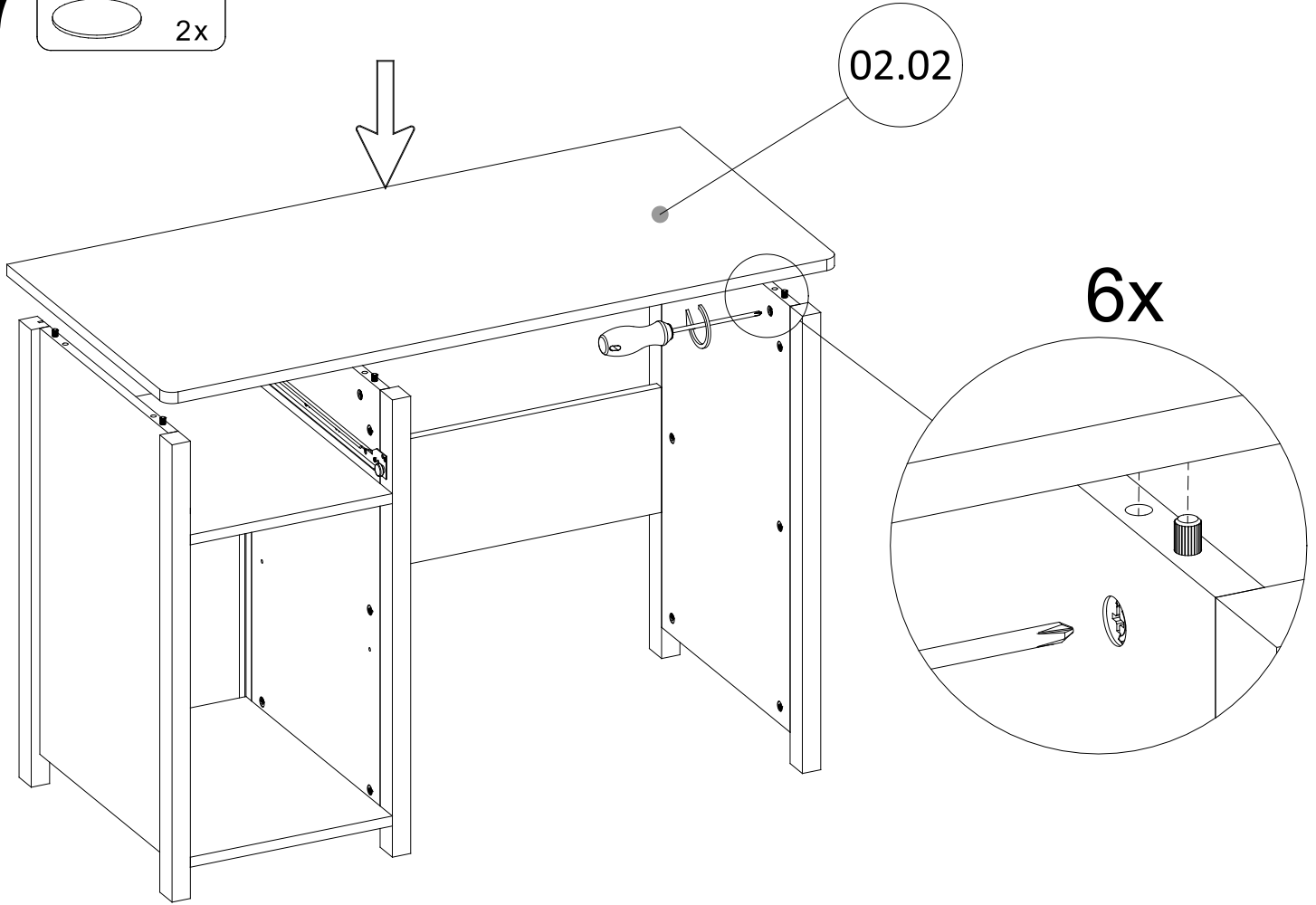
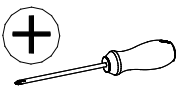
2x



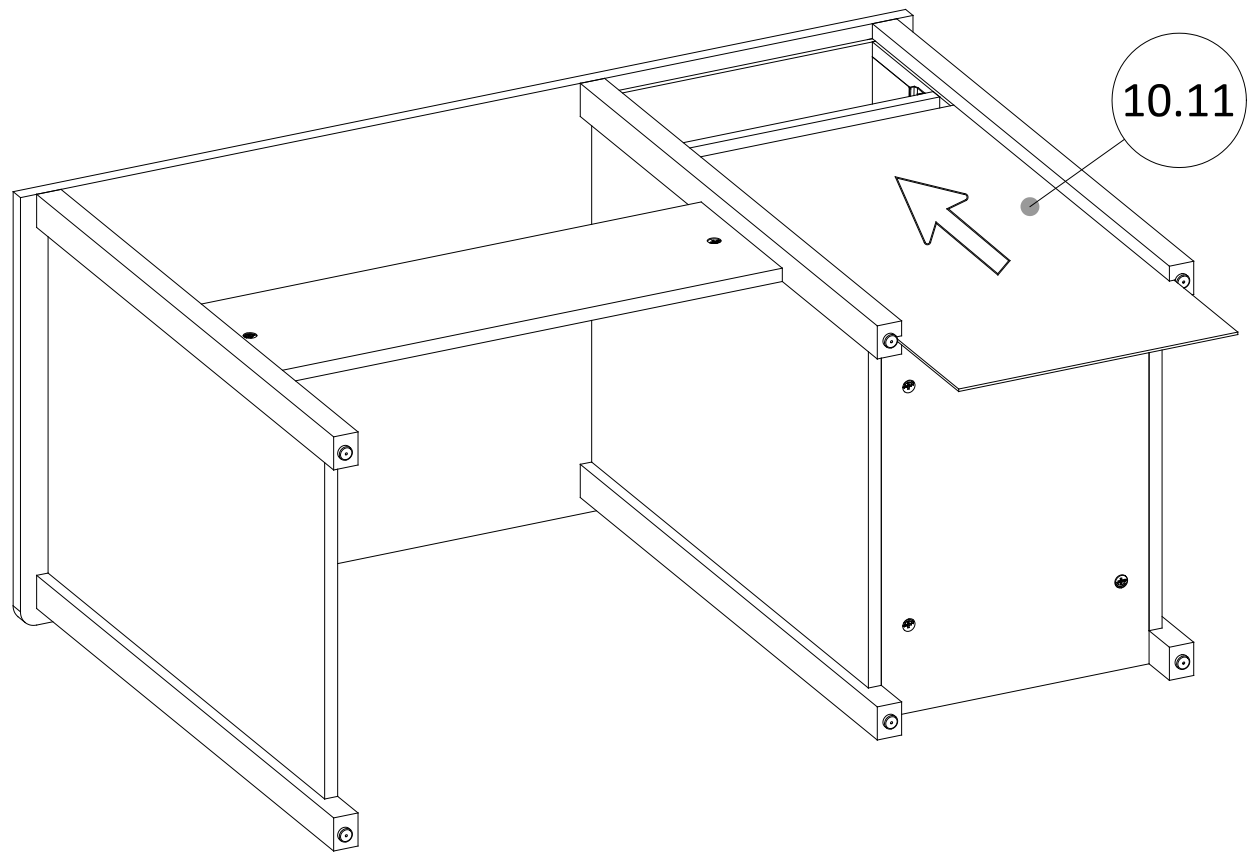
11

17



NA20 Ø20
318
2x

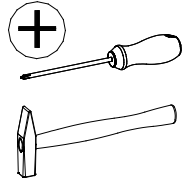


18



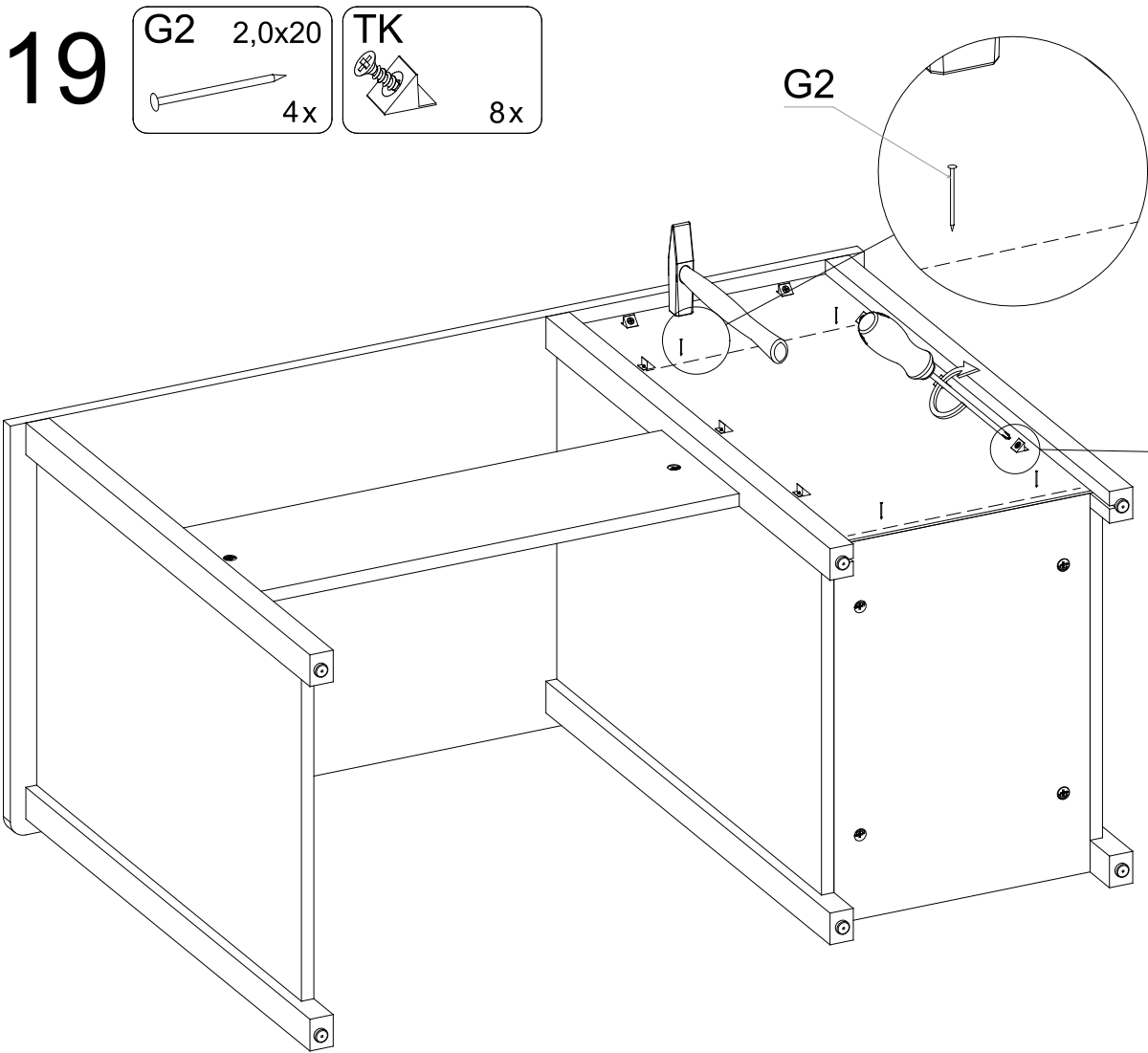
19

G2 2,0x20  4x	TK  8x
--	---

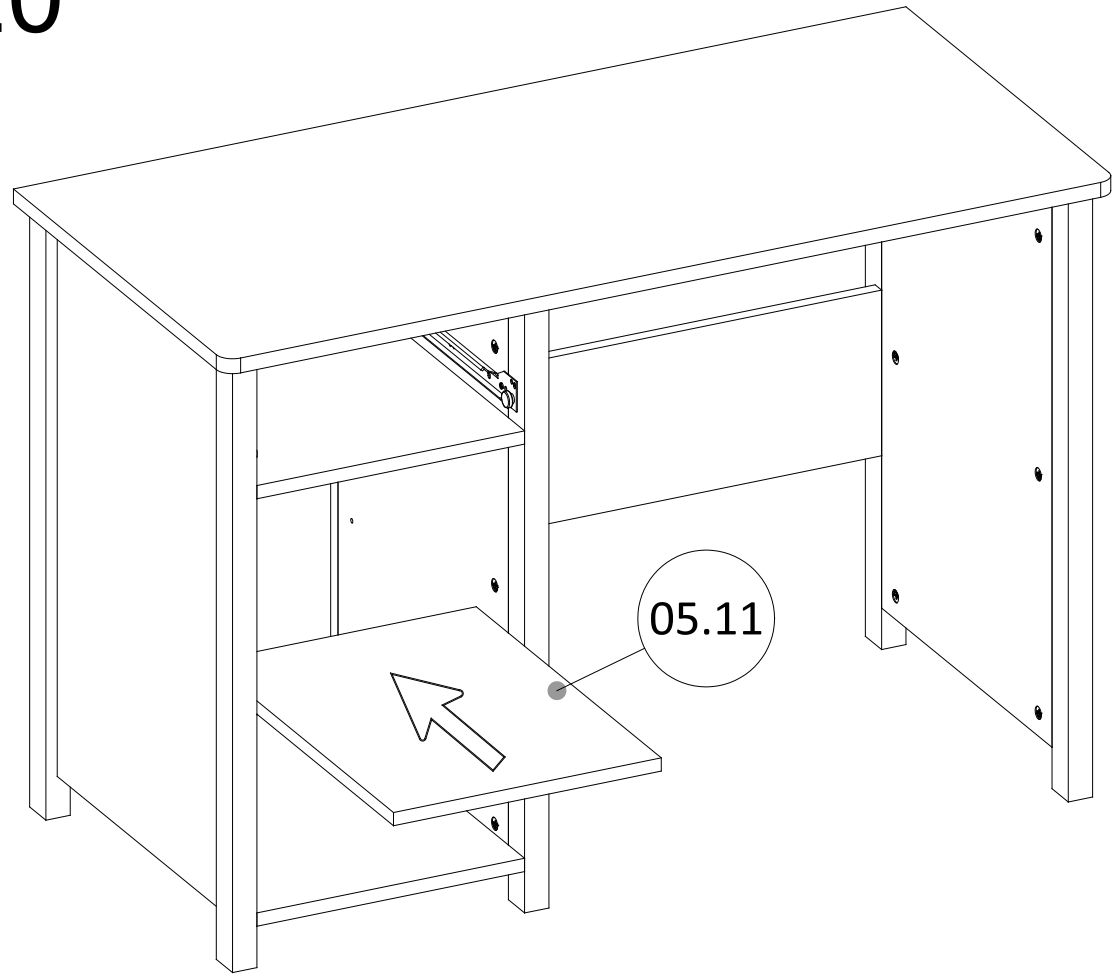


G2

TK

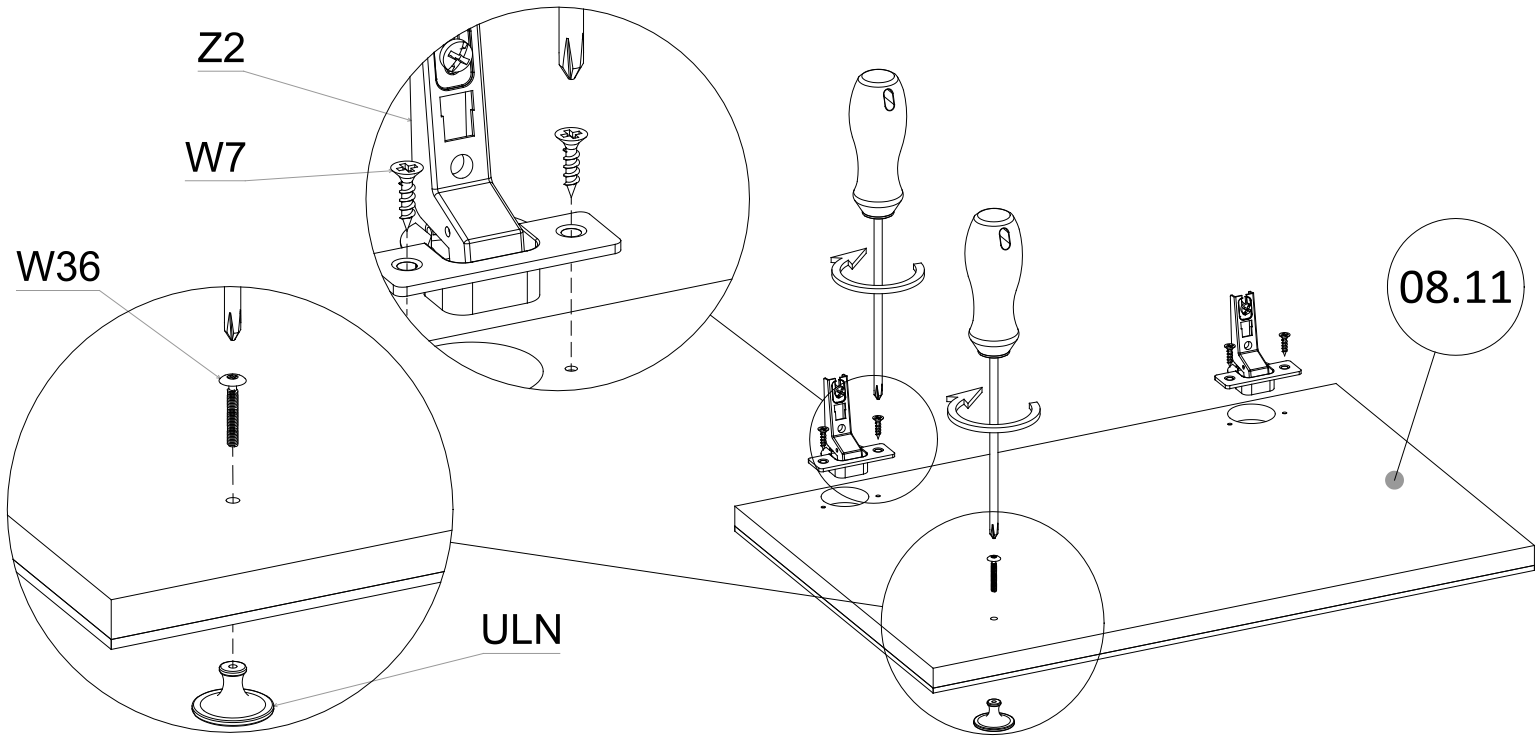
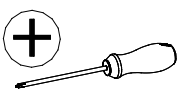
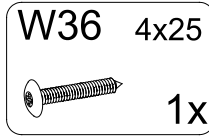
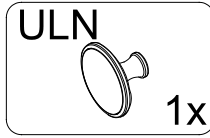
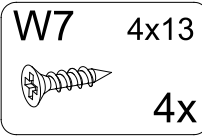
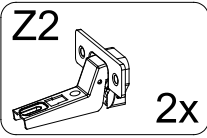


20

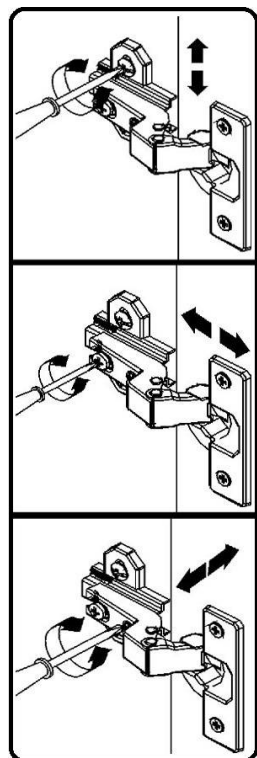
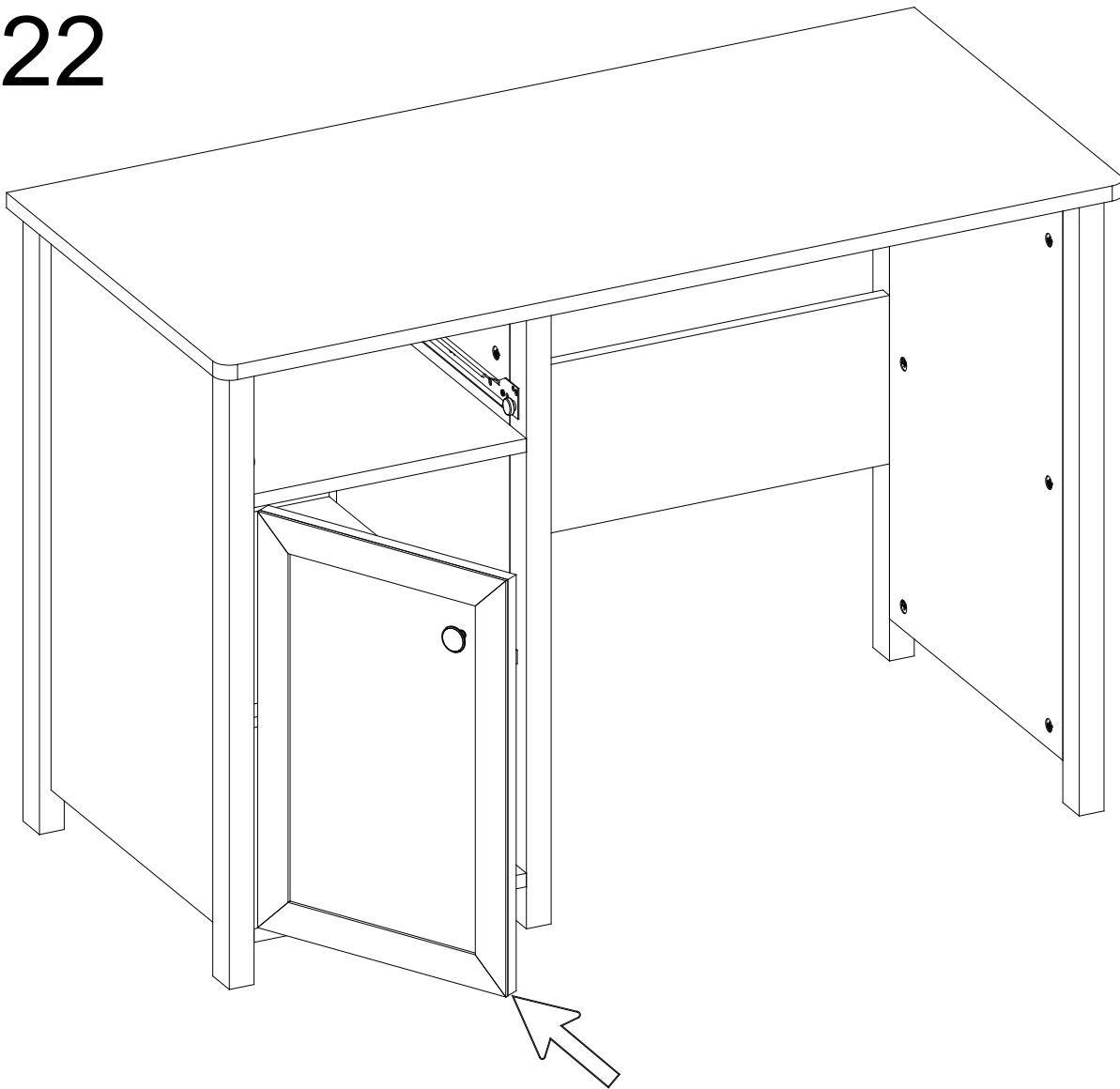
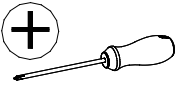


05.11

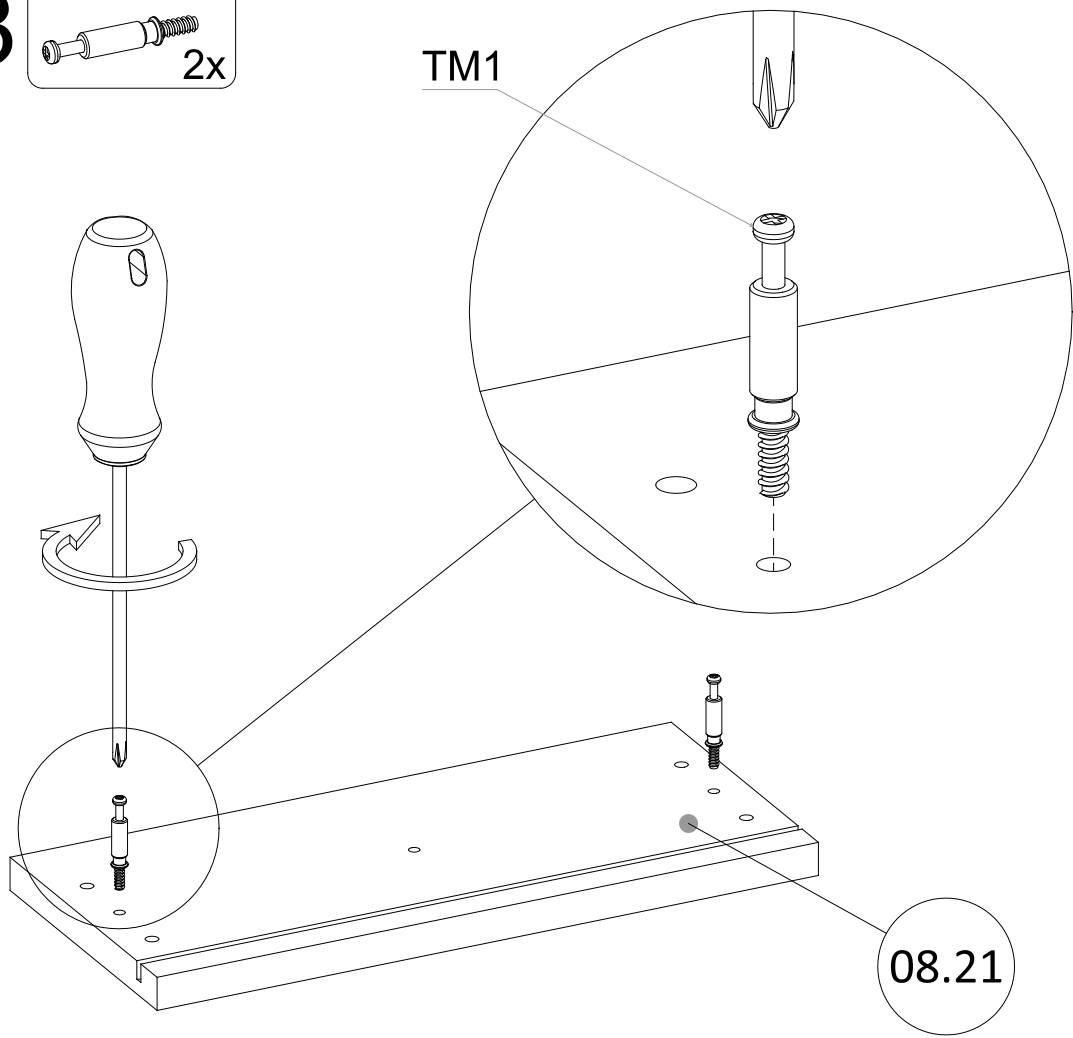
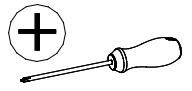
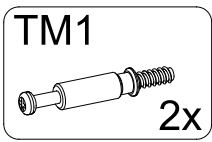
21



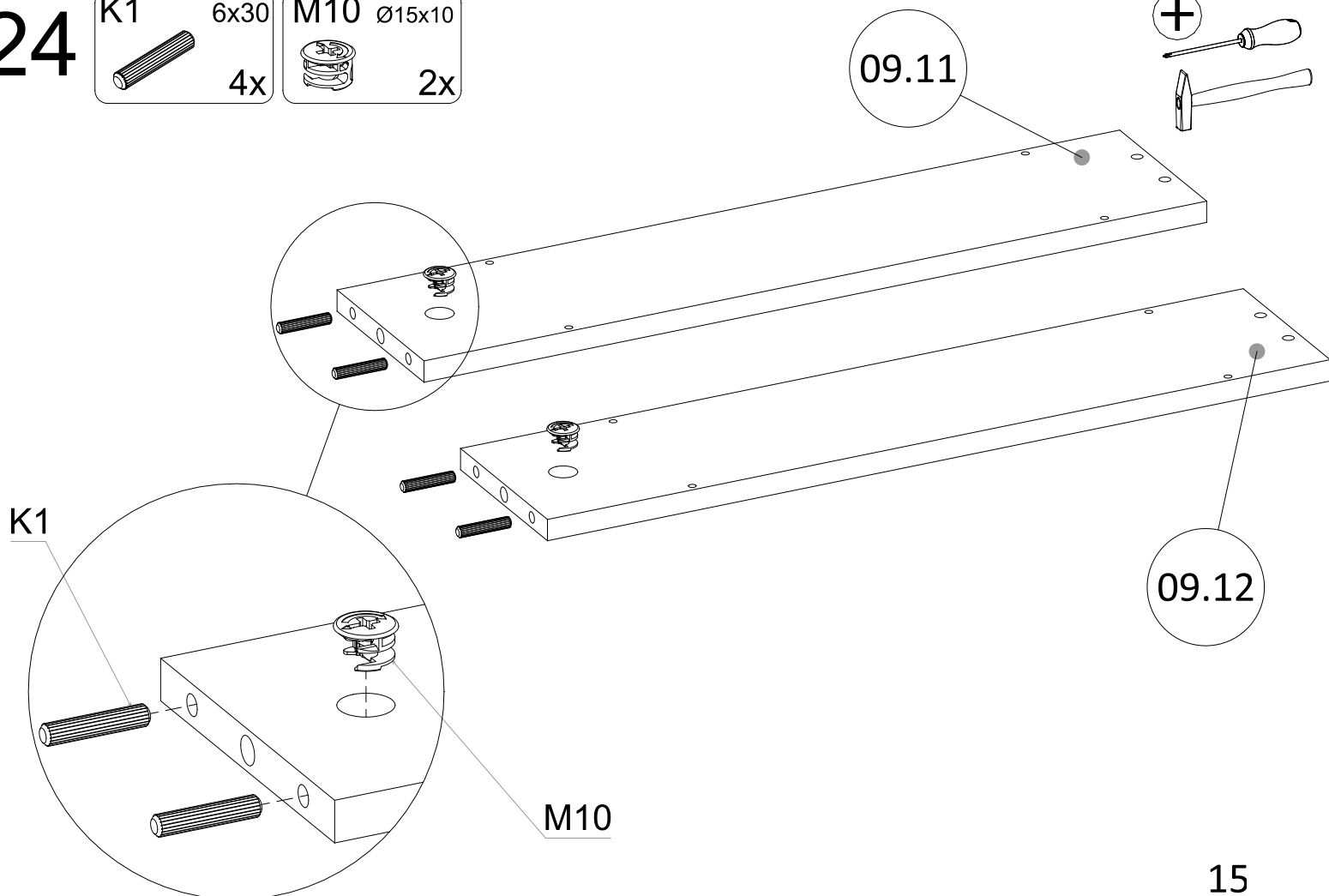
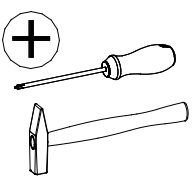
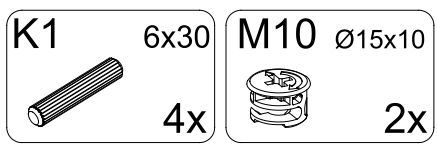
22



23

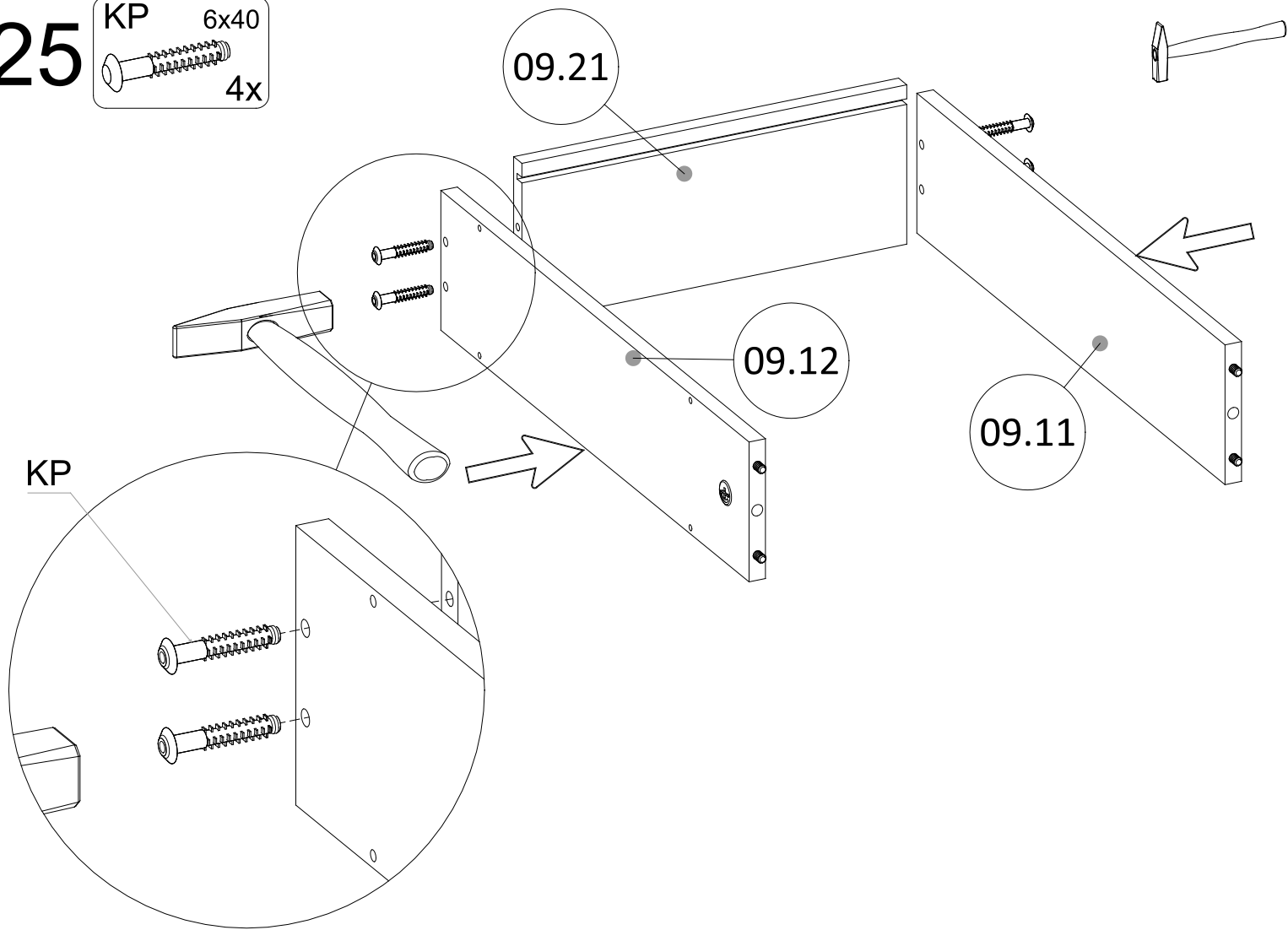


24

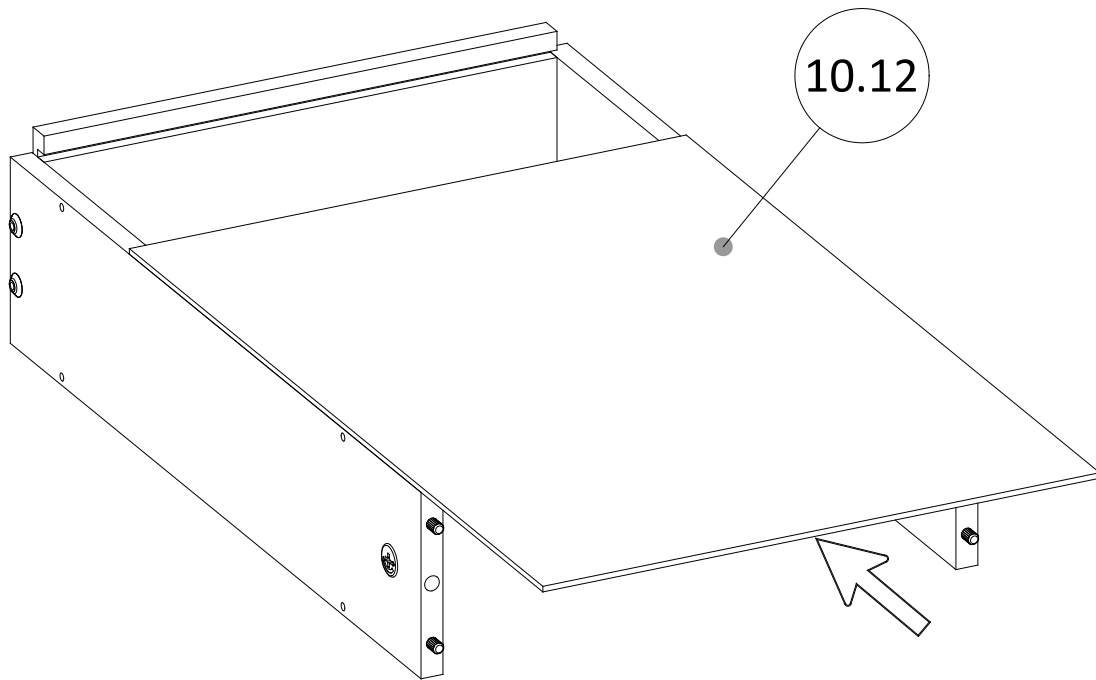


25

KP 6x40
4x




26




27

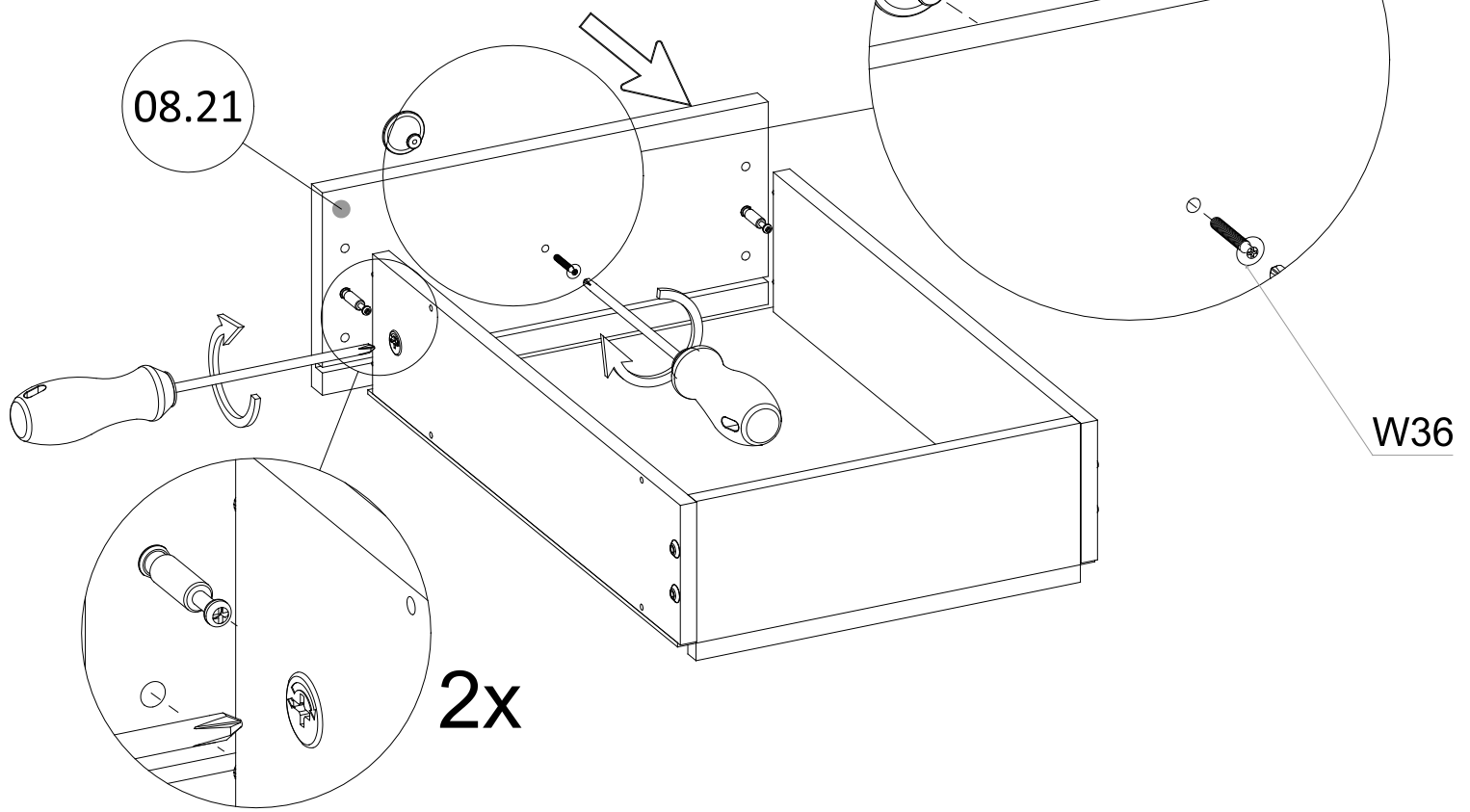
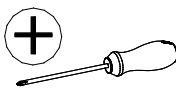

ULN 1x



W36 4x25 1x




NA20 Ø20 318 2x



28

PR5 L=450 1x



WE66 5x9 4x

