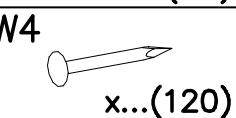
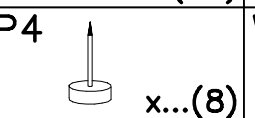
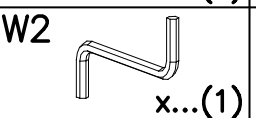
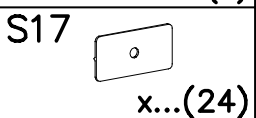
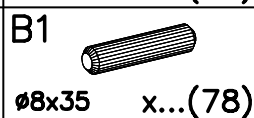
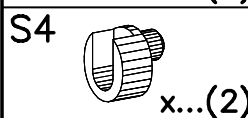
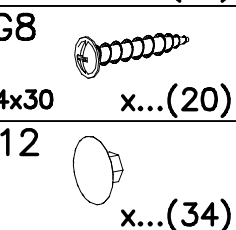
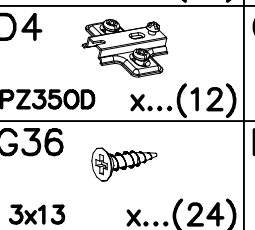
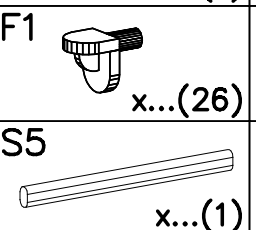
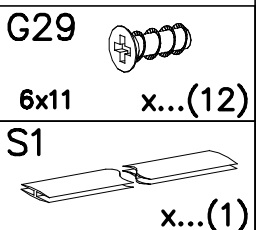
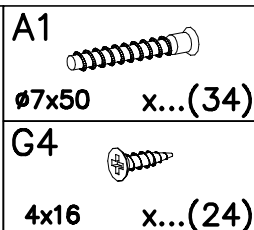
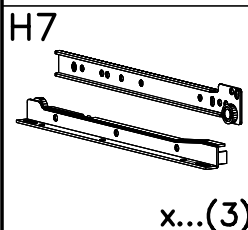
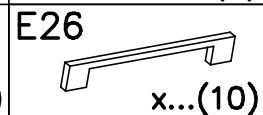
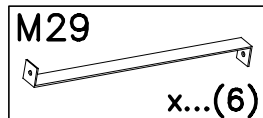
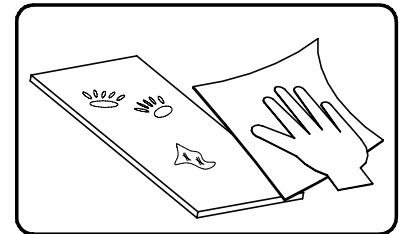
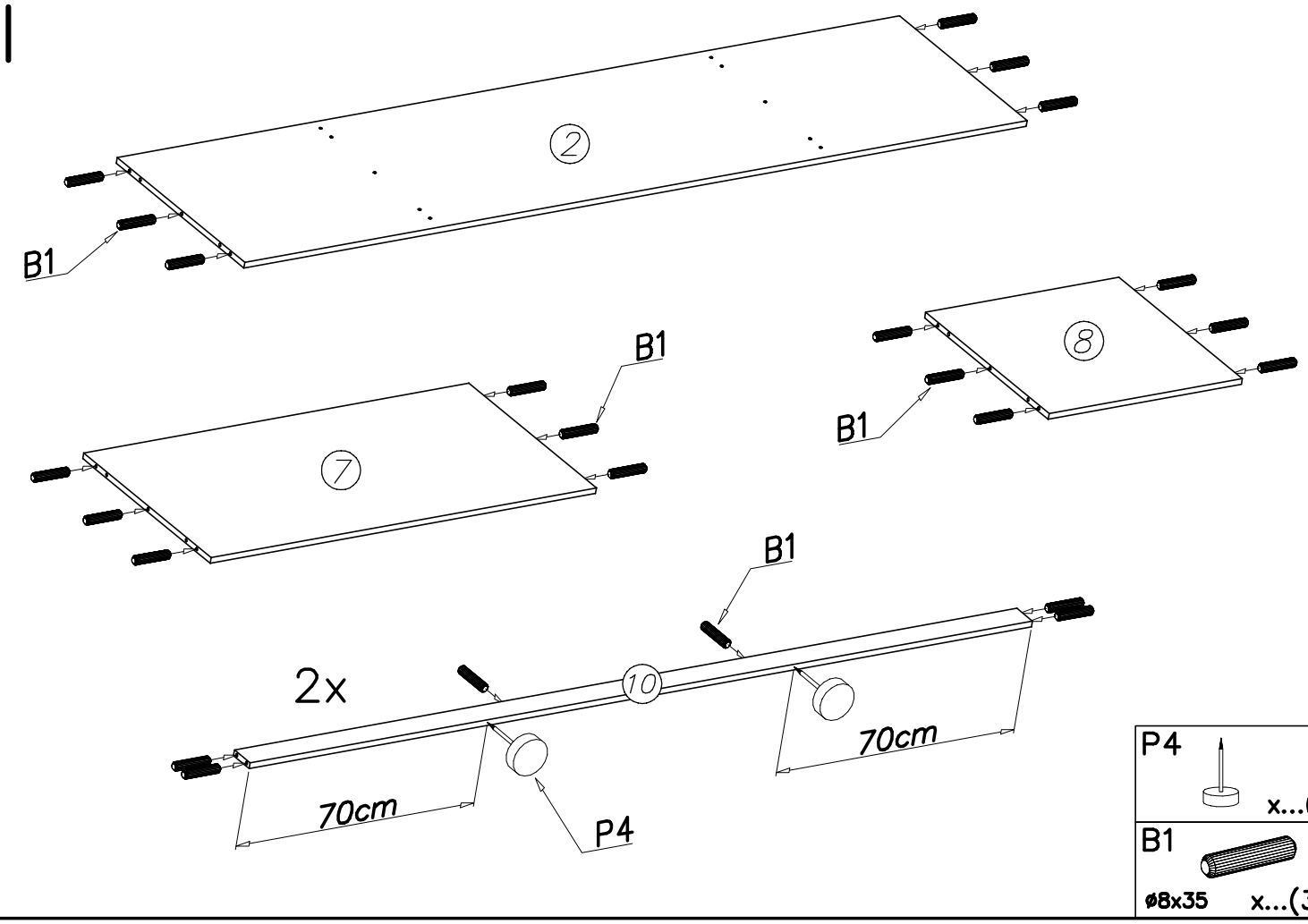
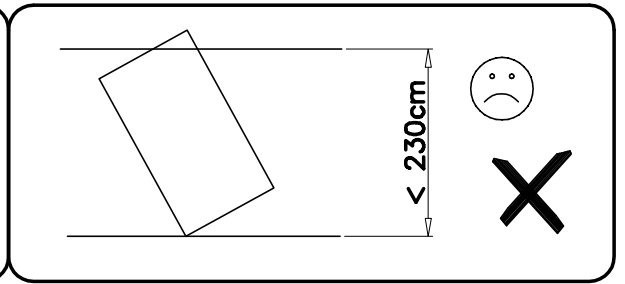
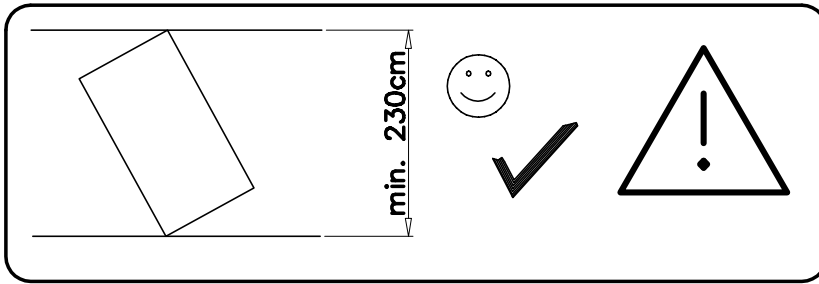
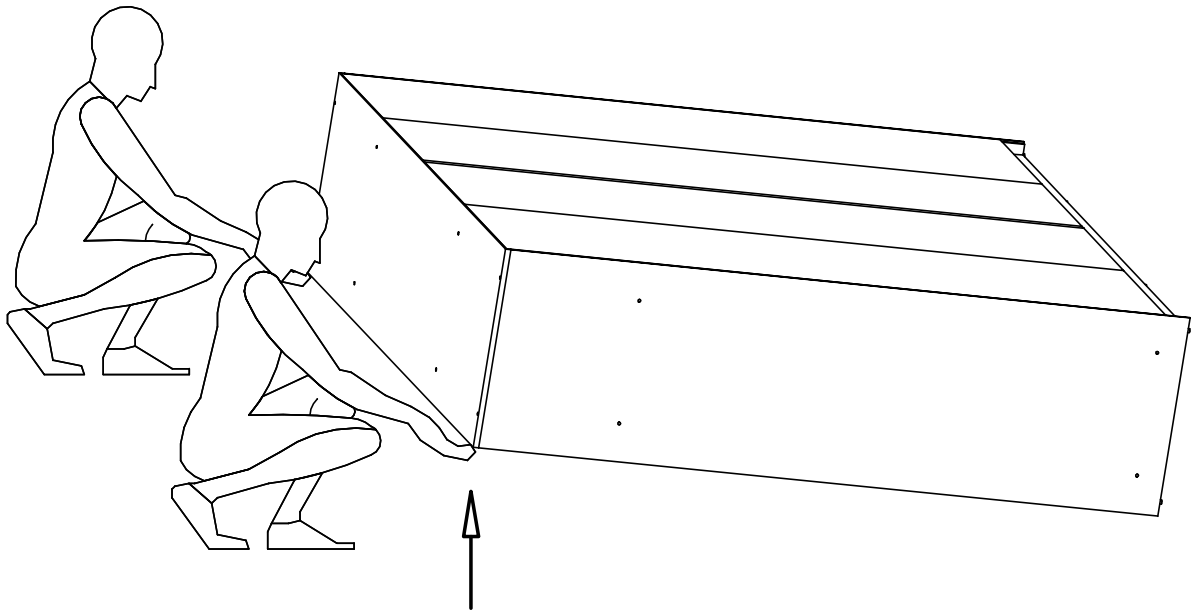


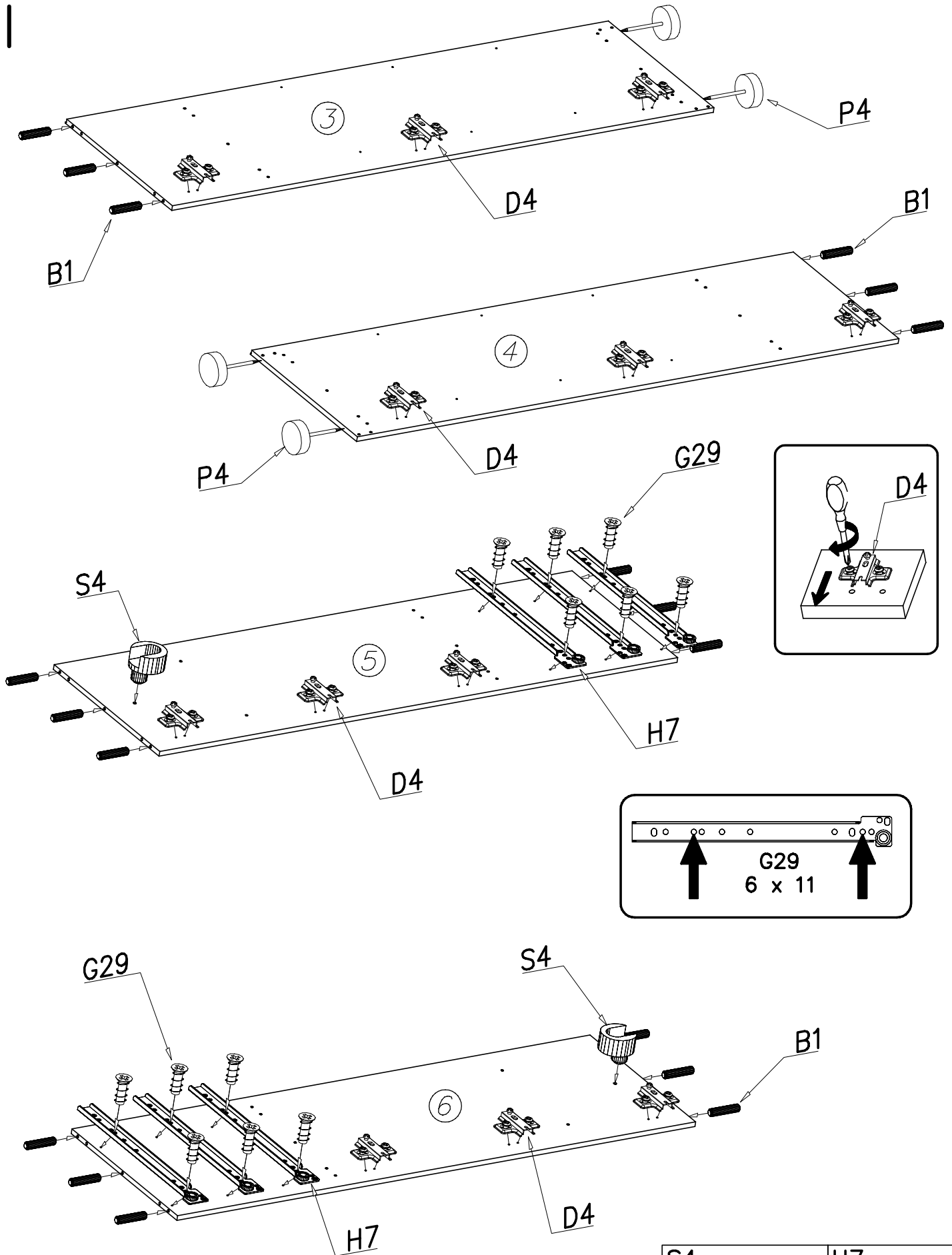
No.	L[mm]	W[mm]	T[mm]	Stc.
1	575	2402	16	1
2	571	2368	16	1
3	1980	575	16	1
4	1980	575	16	1
5	1894	571	16	1
6	1894	571	16	1
7	1166	571	16	1
8	552	585	16	2
9	552	585	16	6
10	2368	70	16	2


No.	L[mm]	W[mm]	T[mm]	Stc.
11	1920	589	3	2
12	1920	604	3	2
13	199	1160	16	3
14	120	450	16	3
15	120	450	16	3
16	100	1108	16	3
17	458	1126	3	3
18	1888	578	16	1
19	1260	578	16	1
20	1260	578	16	1
21	1888	578	16	1

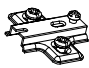


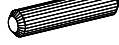


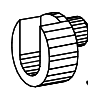
II

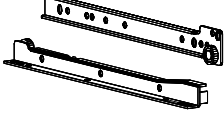


P4  x...(4)

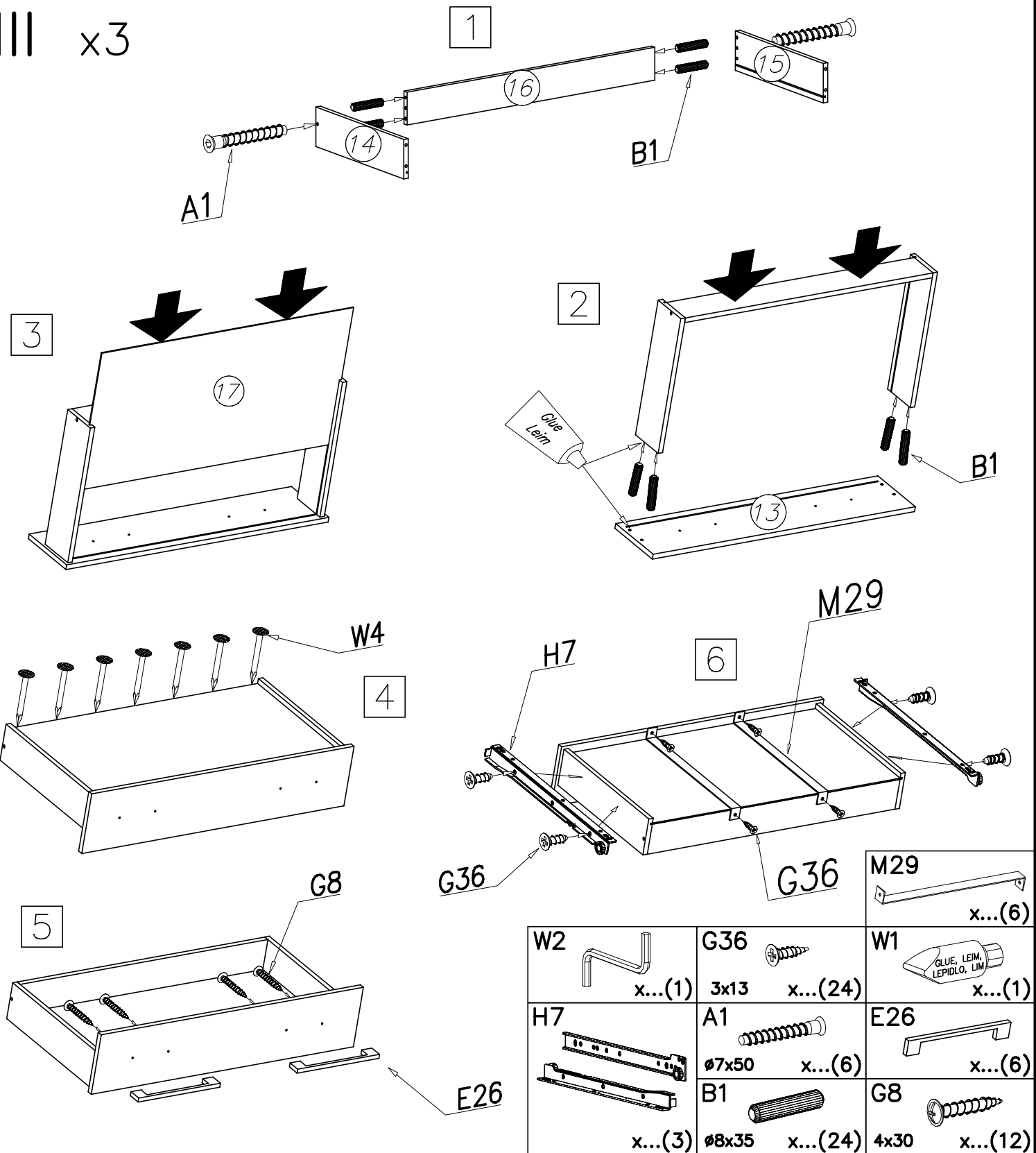
D4  PZ350D x...(12)

B1  ø8x35 x...(18)

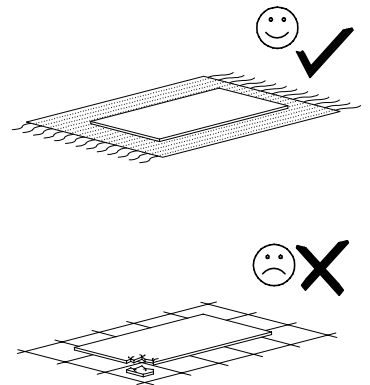
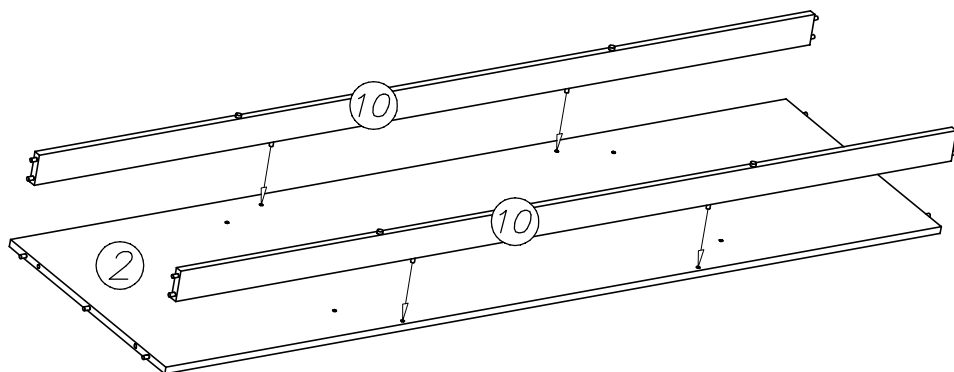
S4  x...(2)

H7  x...(3)

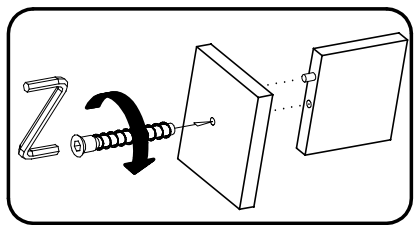
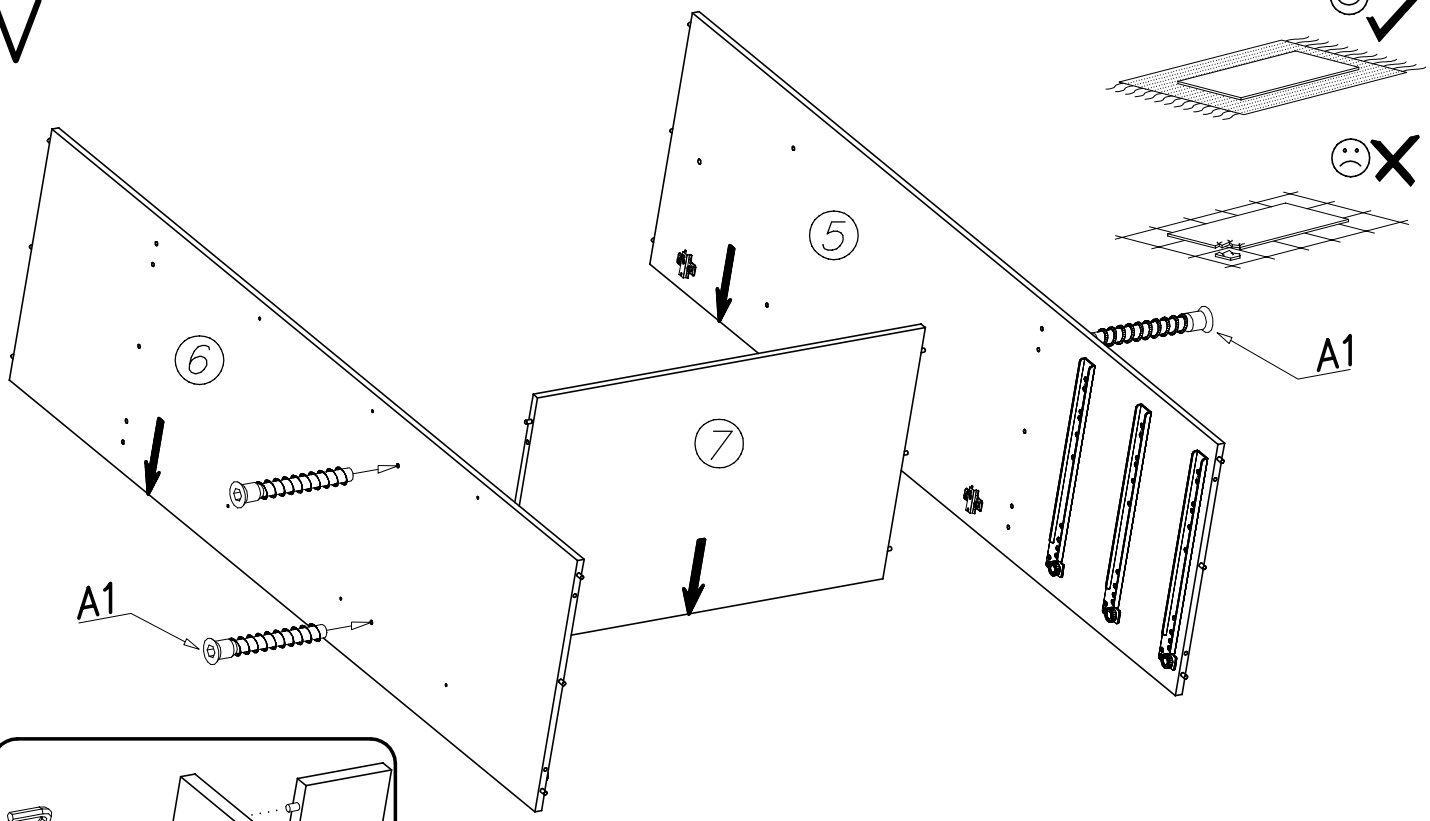
III x3



IV

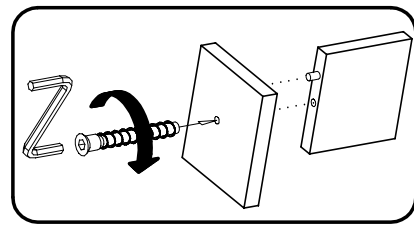
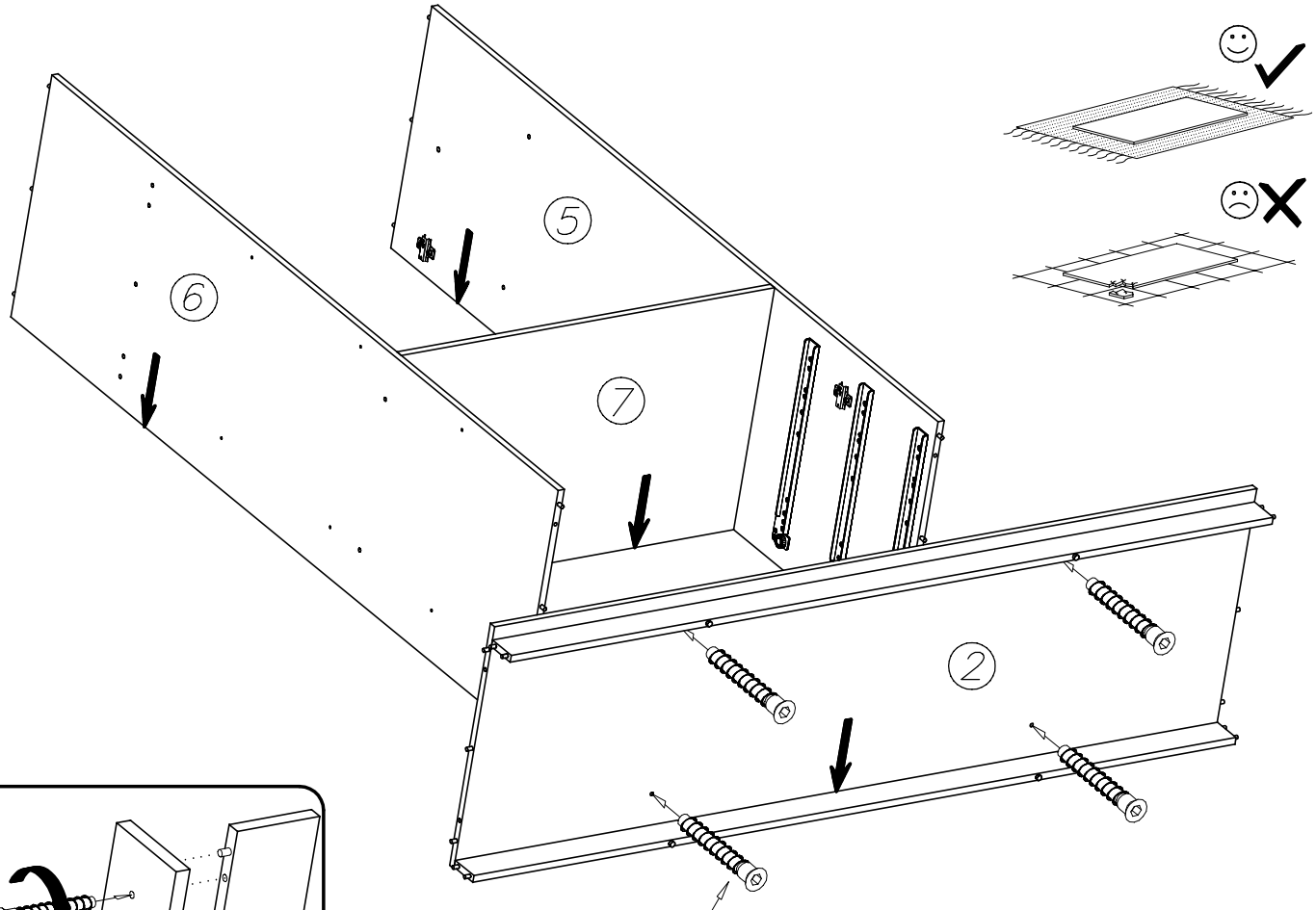


V



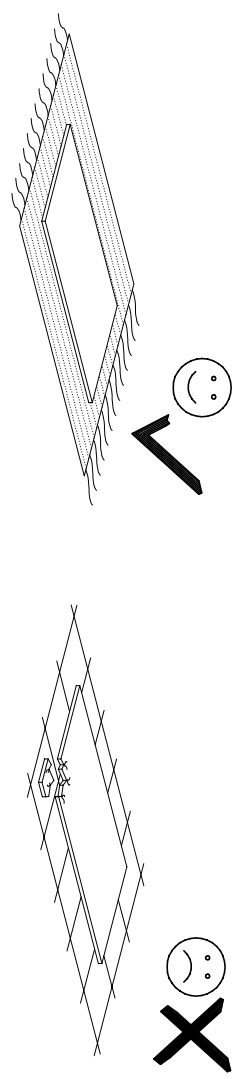
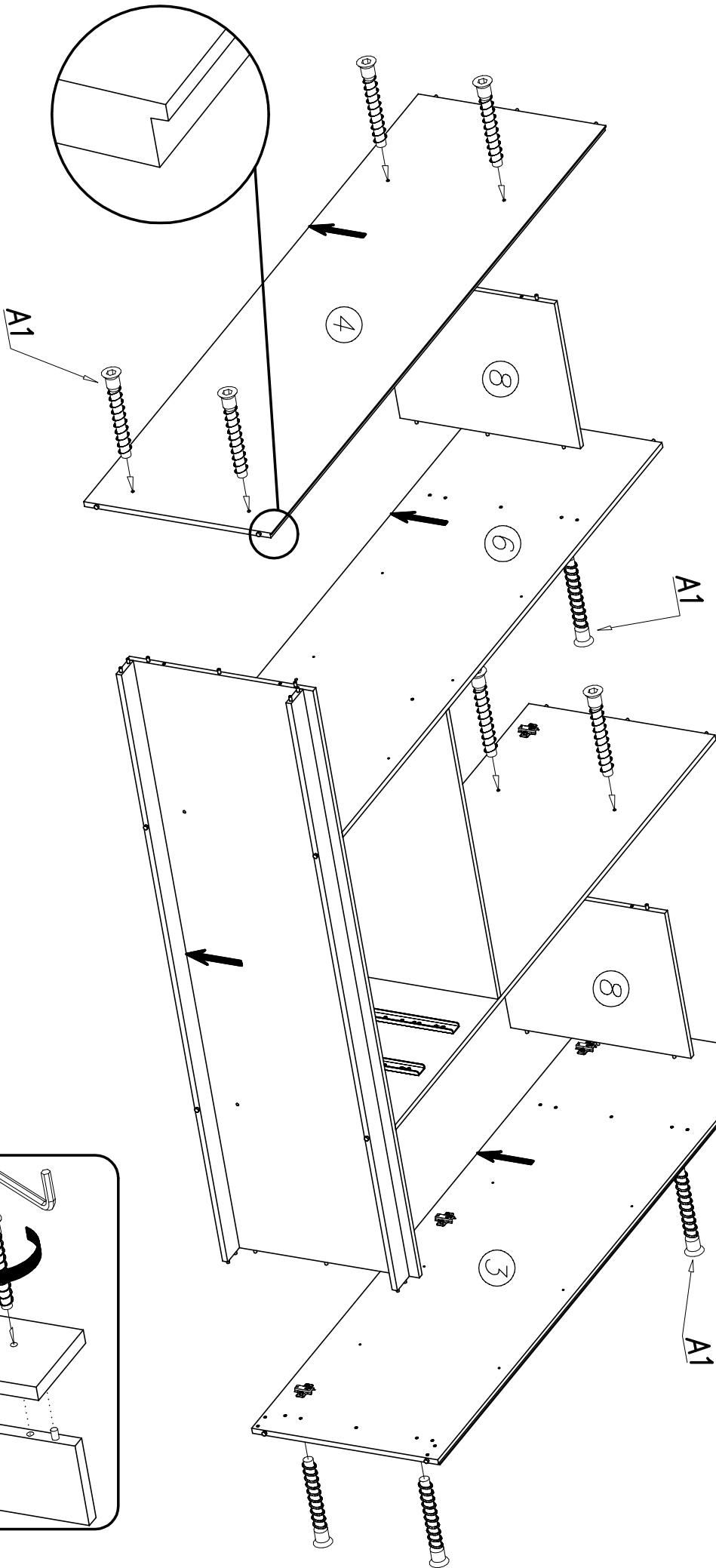
W2		A1	
	x...(1)	ø7x50	x...(4)

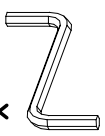

VI

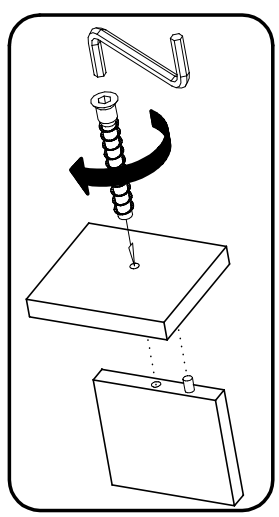


W2		A1	
	x...(1)	ø7x50	x...(4)

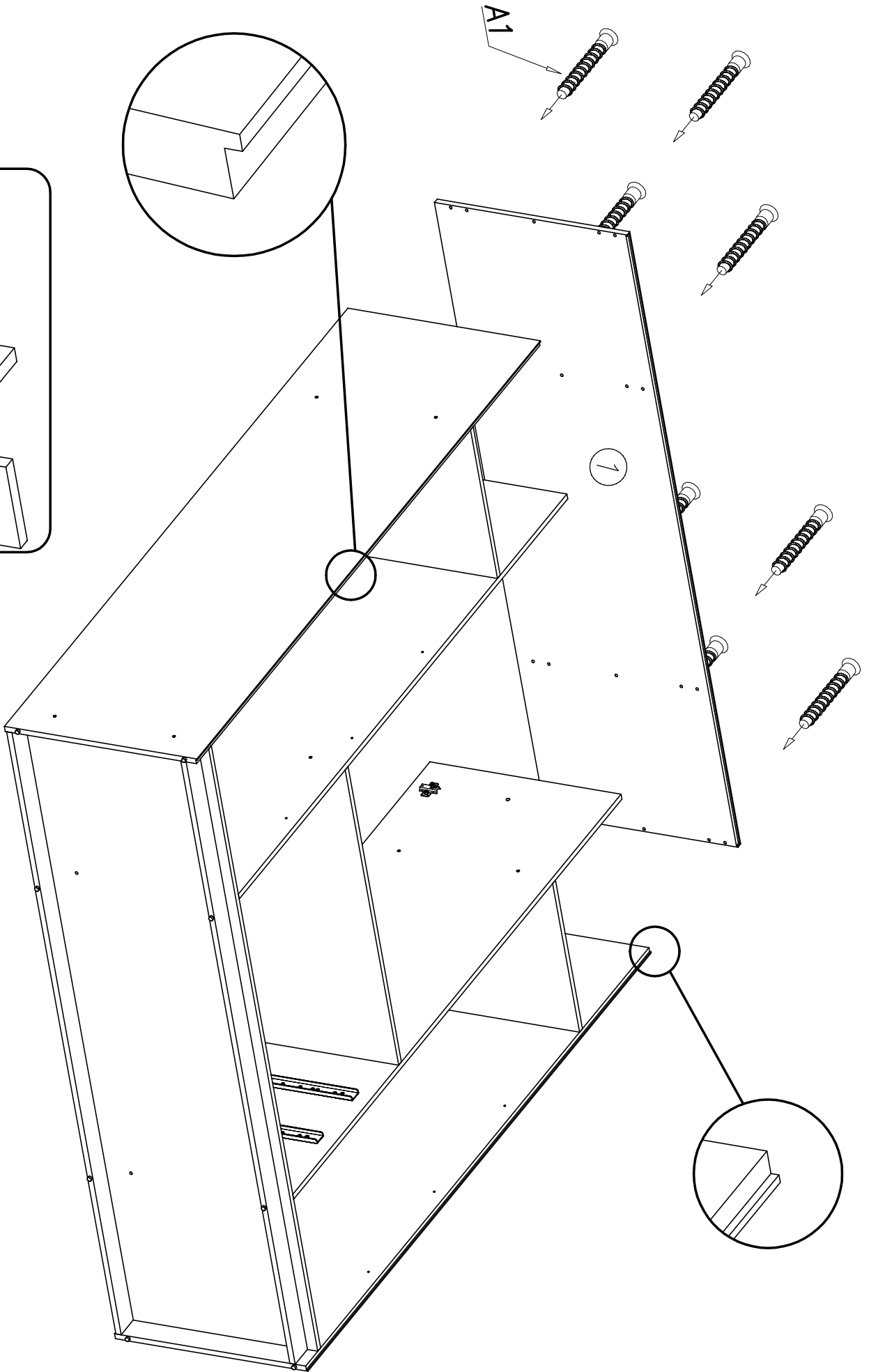
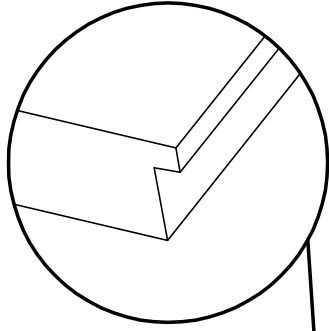
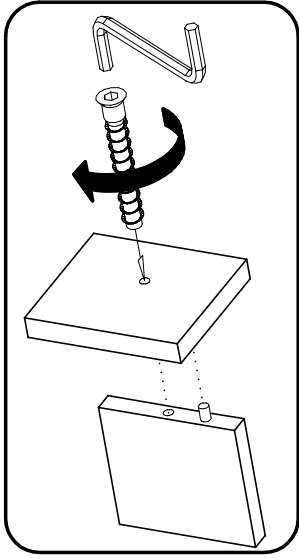
VII



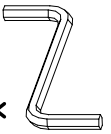
- | | |
|--|----|
|  | W2 |
| x...(1) | |
|  | A1 |
| ø7x50 | |
| x...(12) | |



VIII

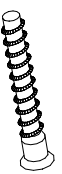


W2



x... (1)

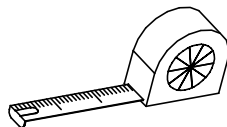
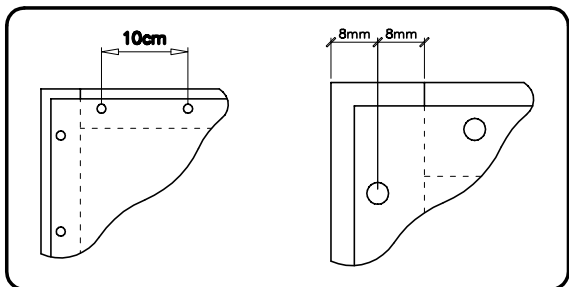
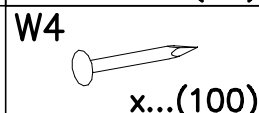
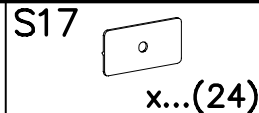
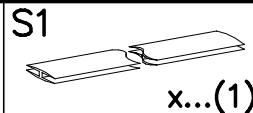
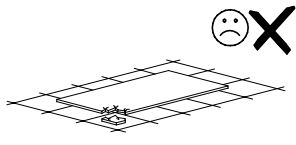
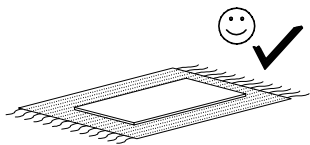
A1



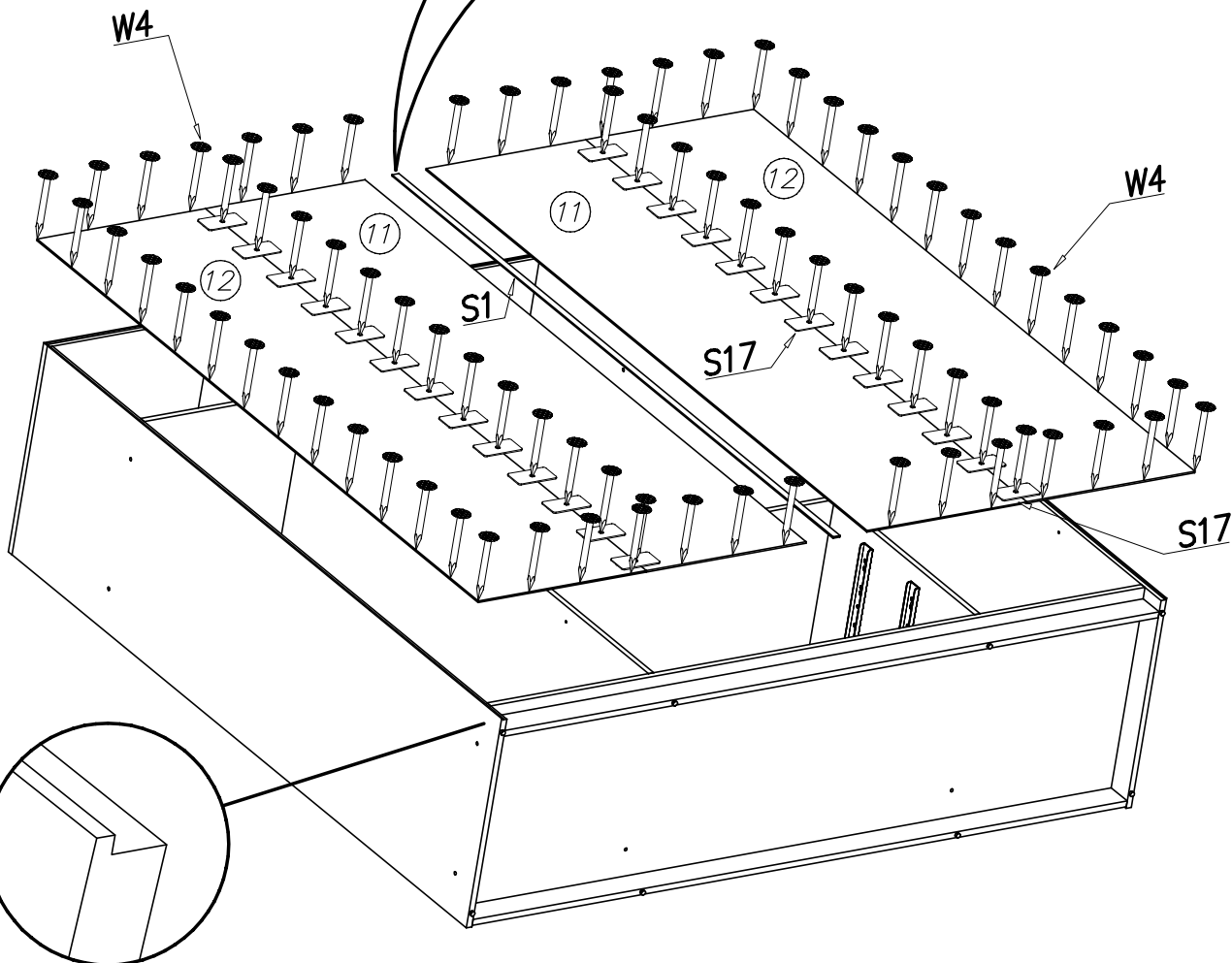
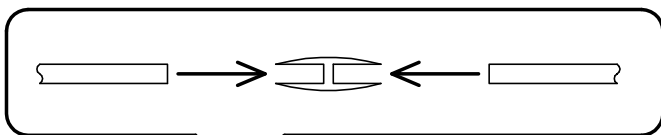
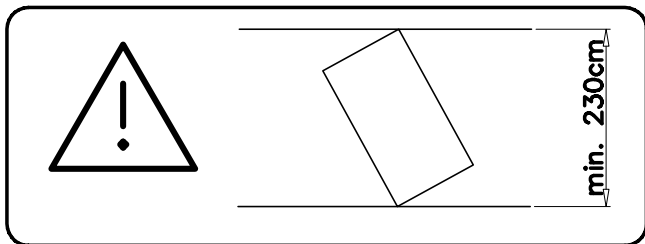
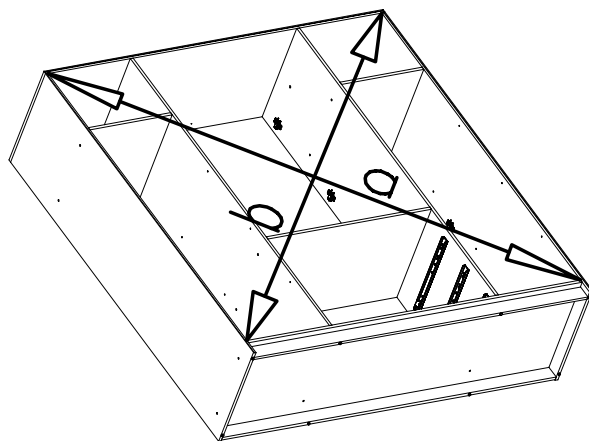
ø7x50

x... (8)

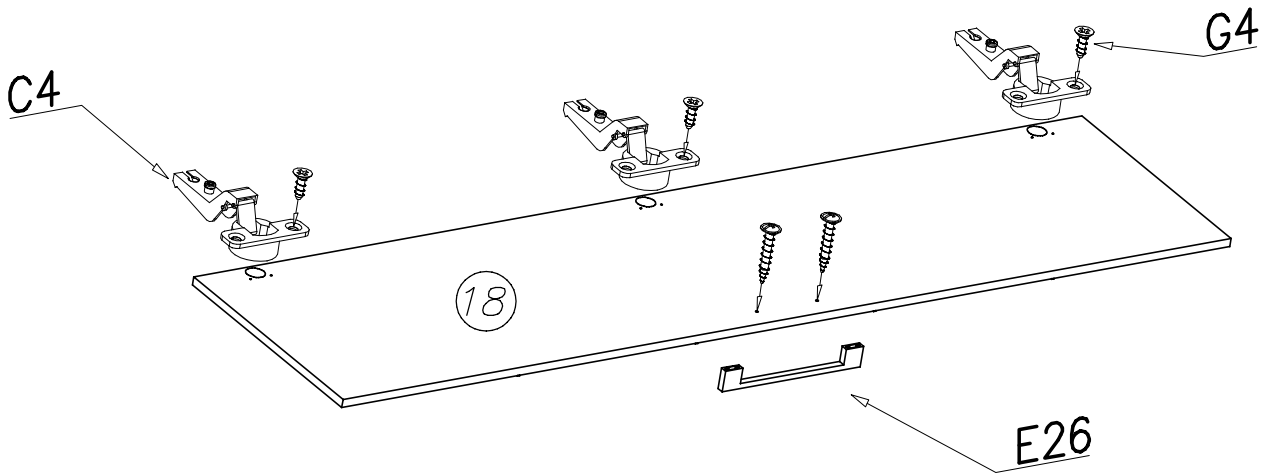
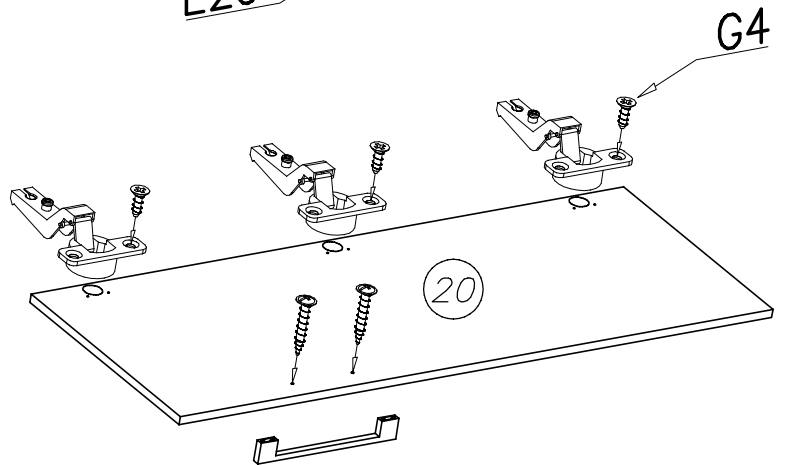
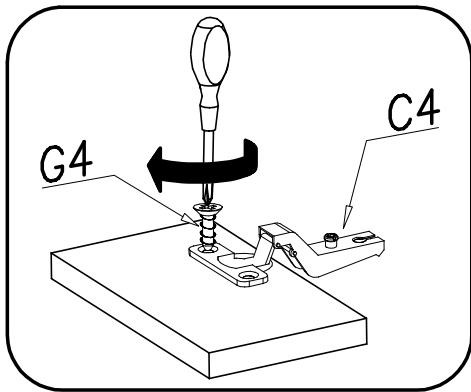
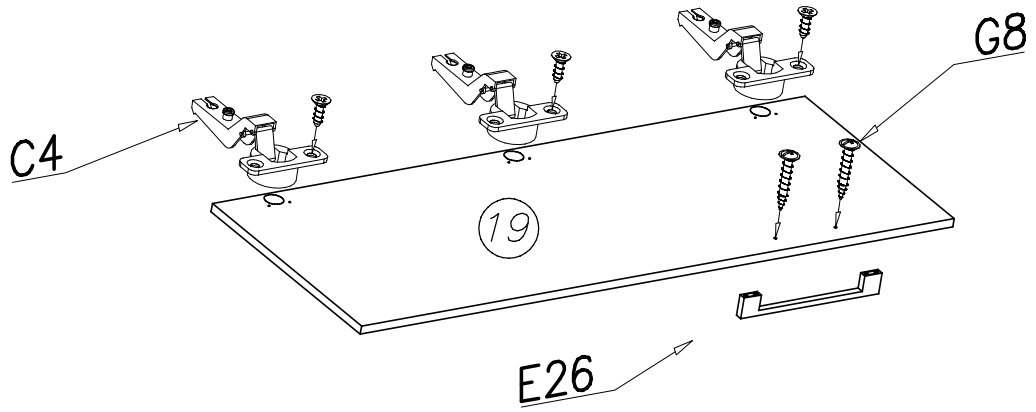
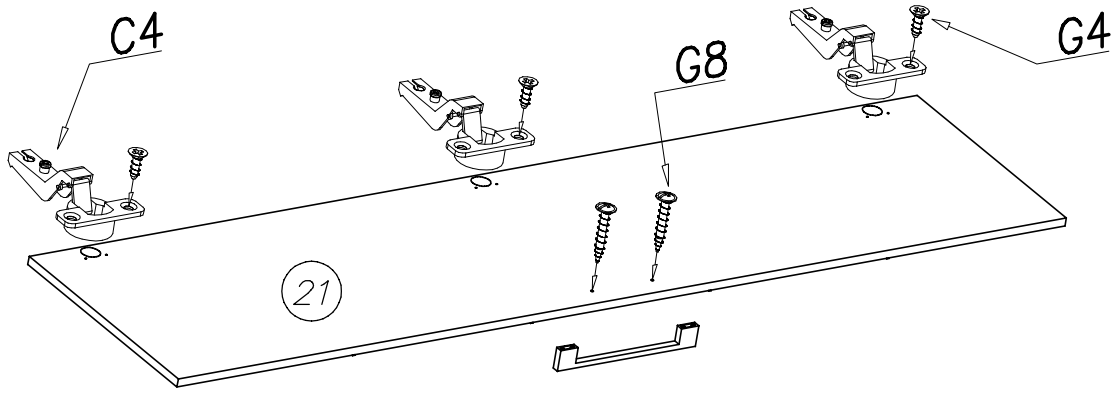
IX



$a = b$



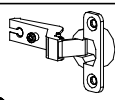
X



G4
4x16
x...(24)



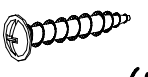
C4
Z350D
x...(12)



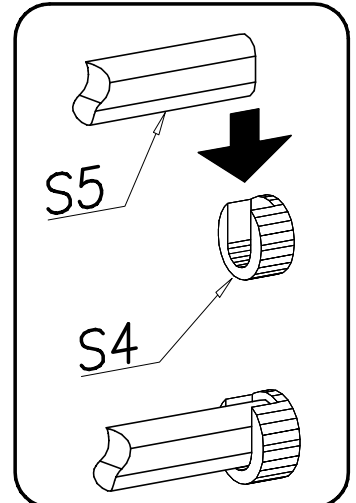
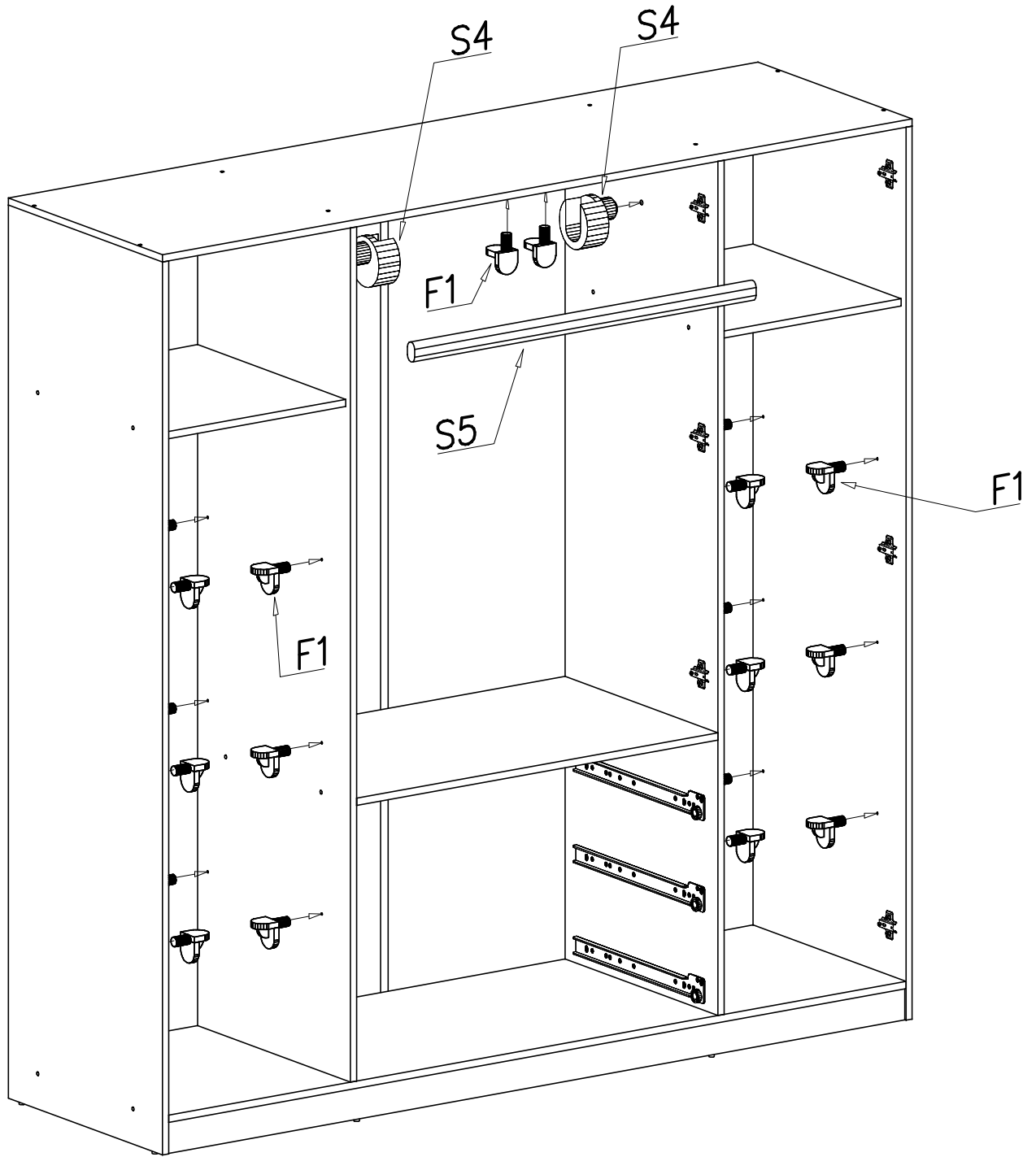
E26
x...(4)



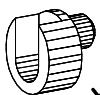
G8
4x30
x...(8)



XI



S4



x...(2)

F1



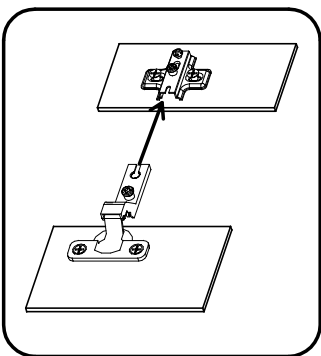
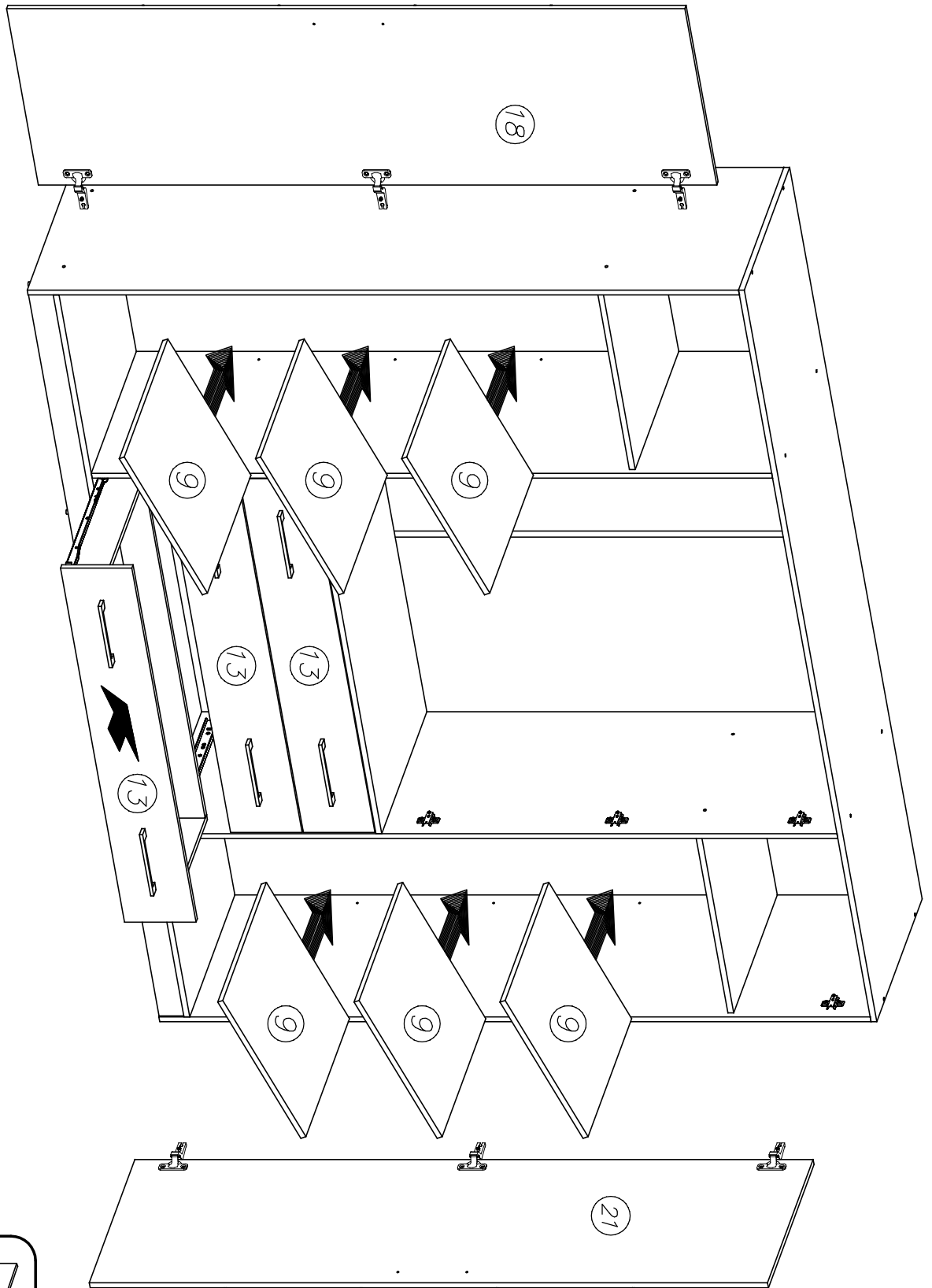
x...(2)

S5



x...(2)

XII



XIII

