
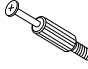
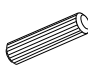
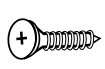











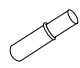

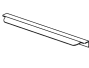







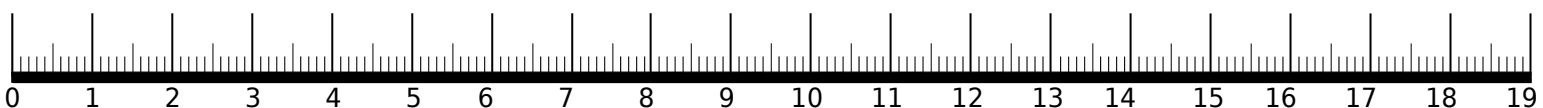
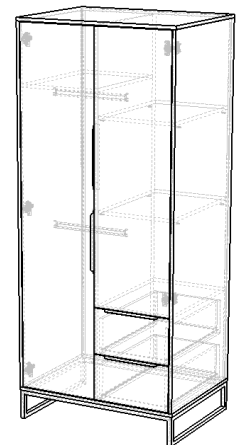
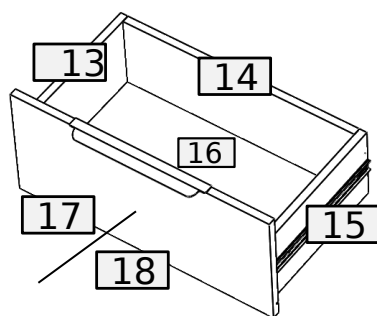
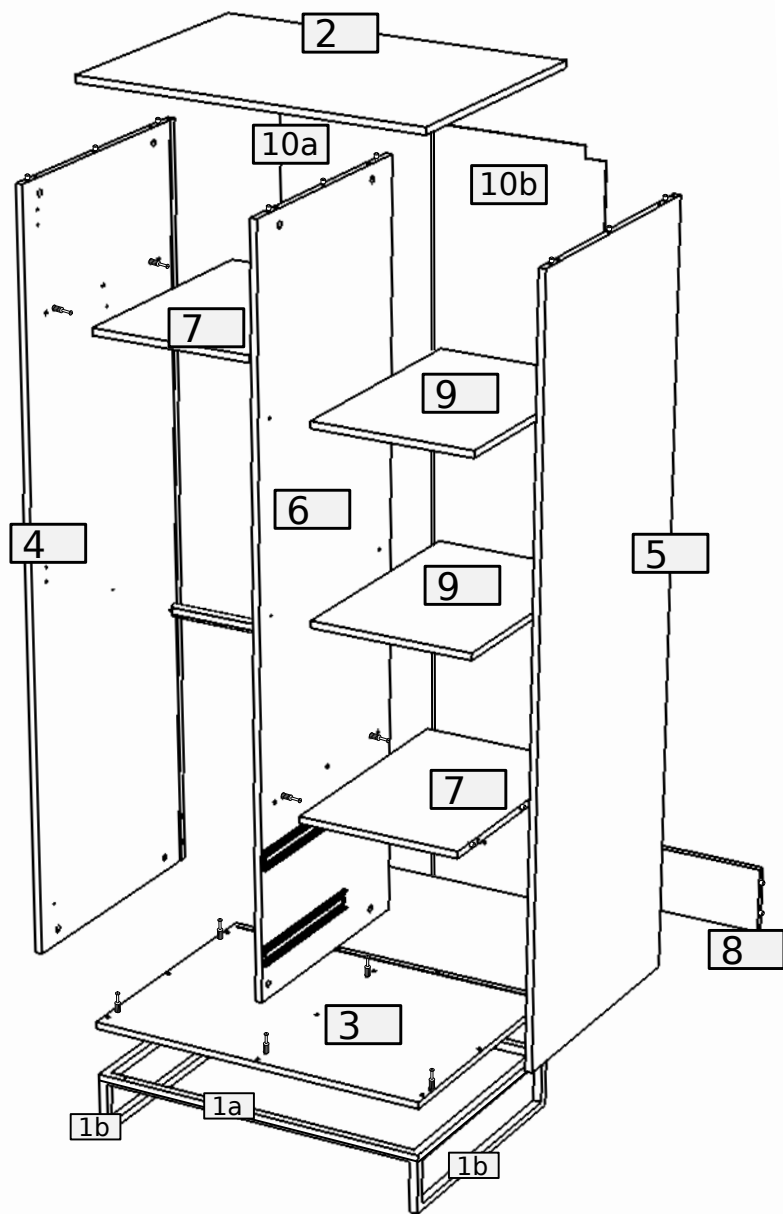
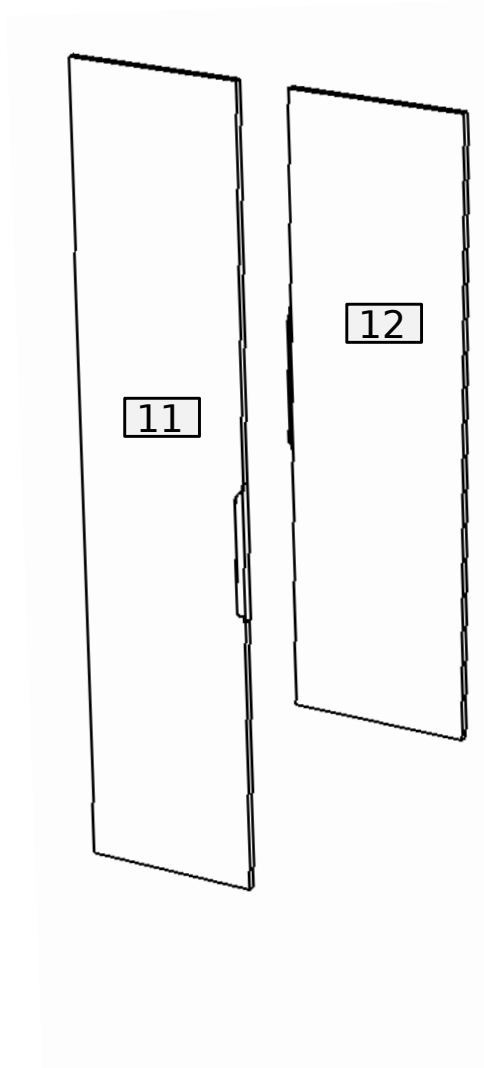


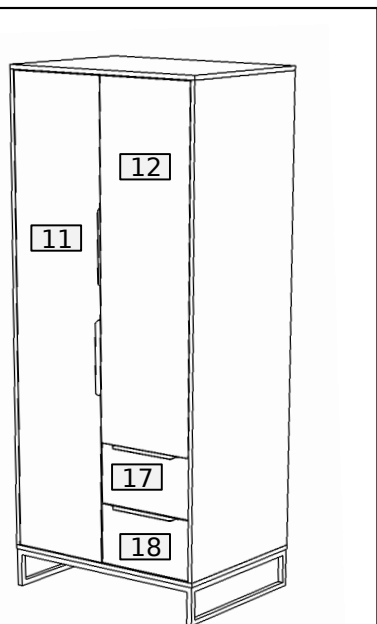
28	28	50	32	6	12	2	6	1	4	2
										
B	A	8.0x35	D 3.5x16 W2	G	I	KS	PZ	U1	G4	L-368
										
X	L-500	PK 3.0x20 W1	3.5x16 W4	S3	3.0x16 W3	256	UL	Z	O	G2
20	2	8	2	8	8	4	6	2	6	4

1	4	4
		
U2	US	4.0x35 W11

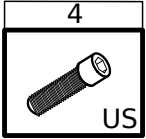
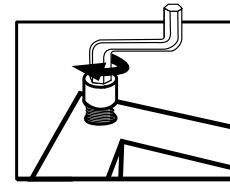
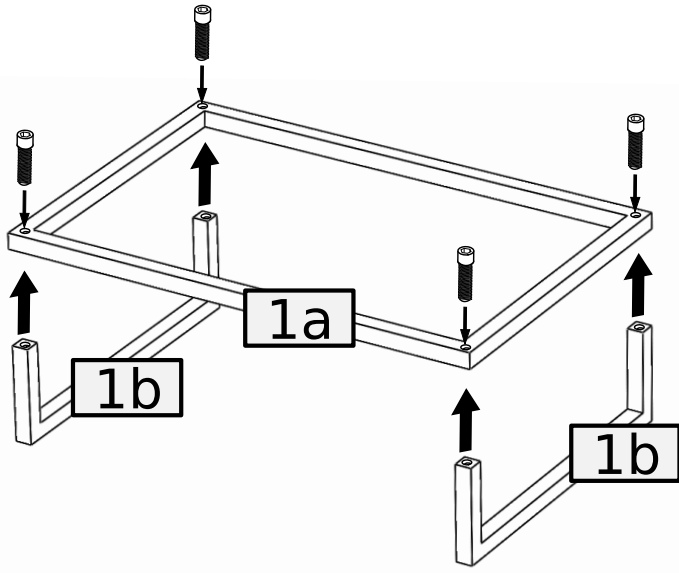




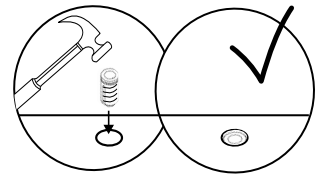
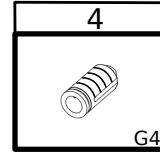
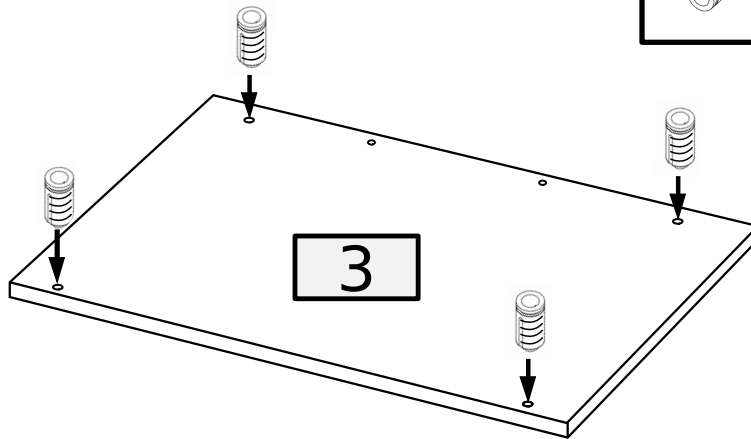
No.	Pcs.	L	W	D	Pac
1a	1	795	595	20	2/3
1b	1	120	595	20	2/3
2	1	800	600	16	2/3
3	1	800	600	16	2/3
4	1	1728	599	16	1/3
5	1	1728	599	16	1/3
6	1	1728	560	16	1/3
7	2	560	375	16	2/3
8	1	766	150	16	2/3
9	2	550	375	16	3/3
10a	1	1742	390	3	1/3
10b	1	1742	390	3	1/3
11	1	1722	380	16	3/3
12	1	1280	380	16	3/3
13	2	550	160	16	2/3
14	2	318	142	16	2/3
15	2	550	160	16	2/3
16	2	557	333	3	1/3
17	1	380	217	16	3/3
18	1	380	217	16	3/3



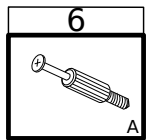
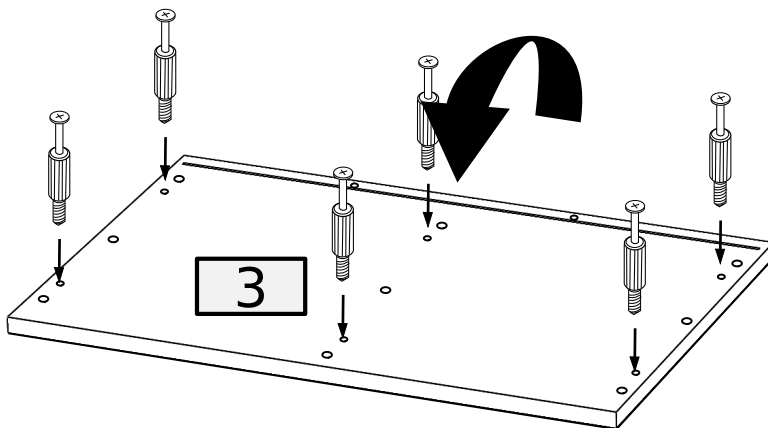
1



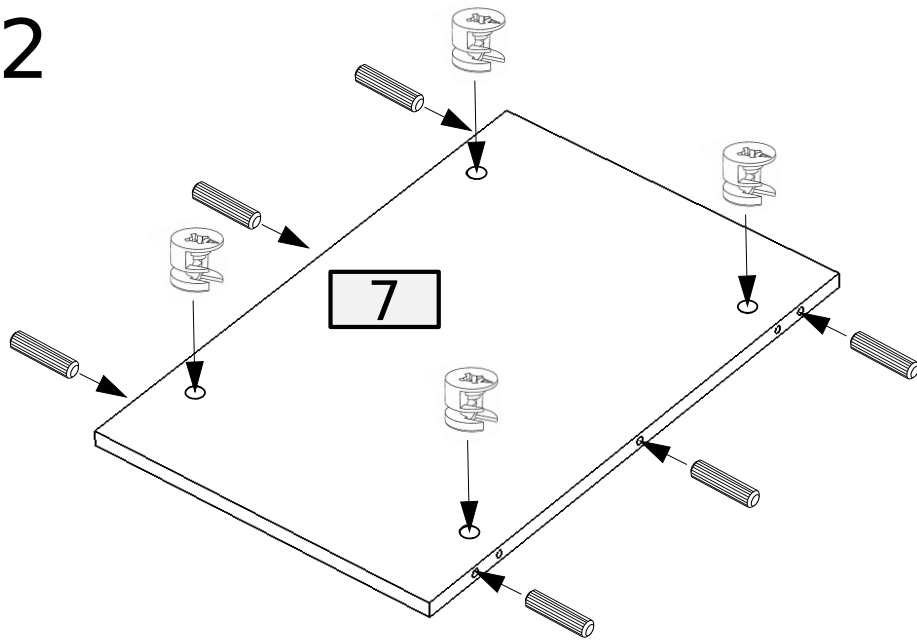
2





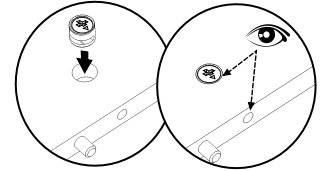
3



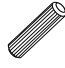
④ x2

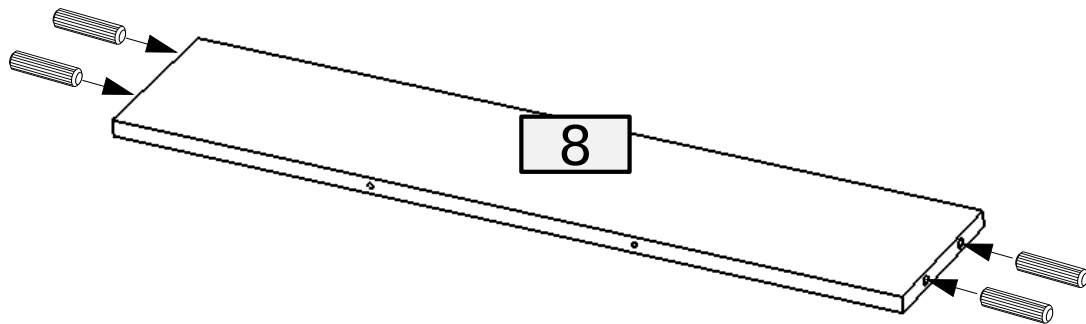


6	4
	
8.0x35 D	B

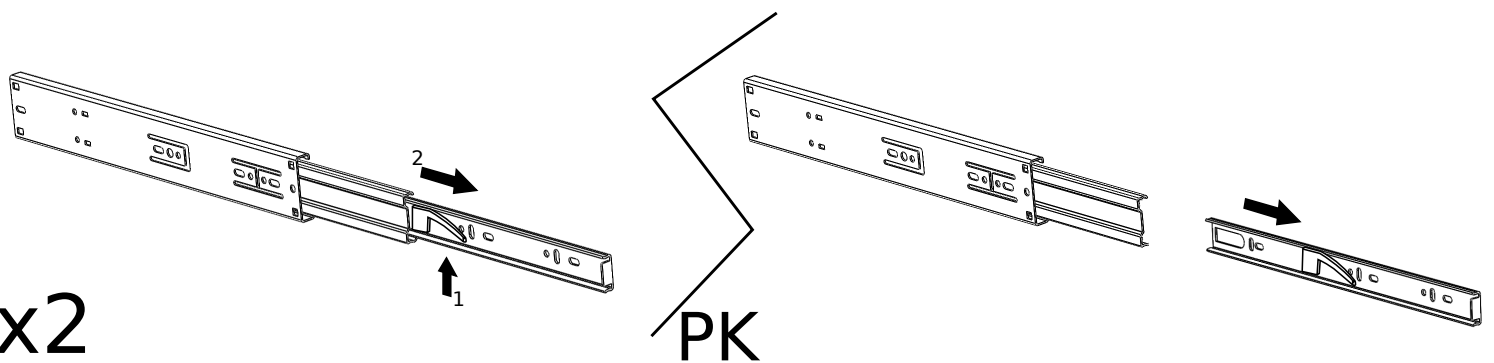


⑤

4

8.0x35 D



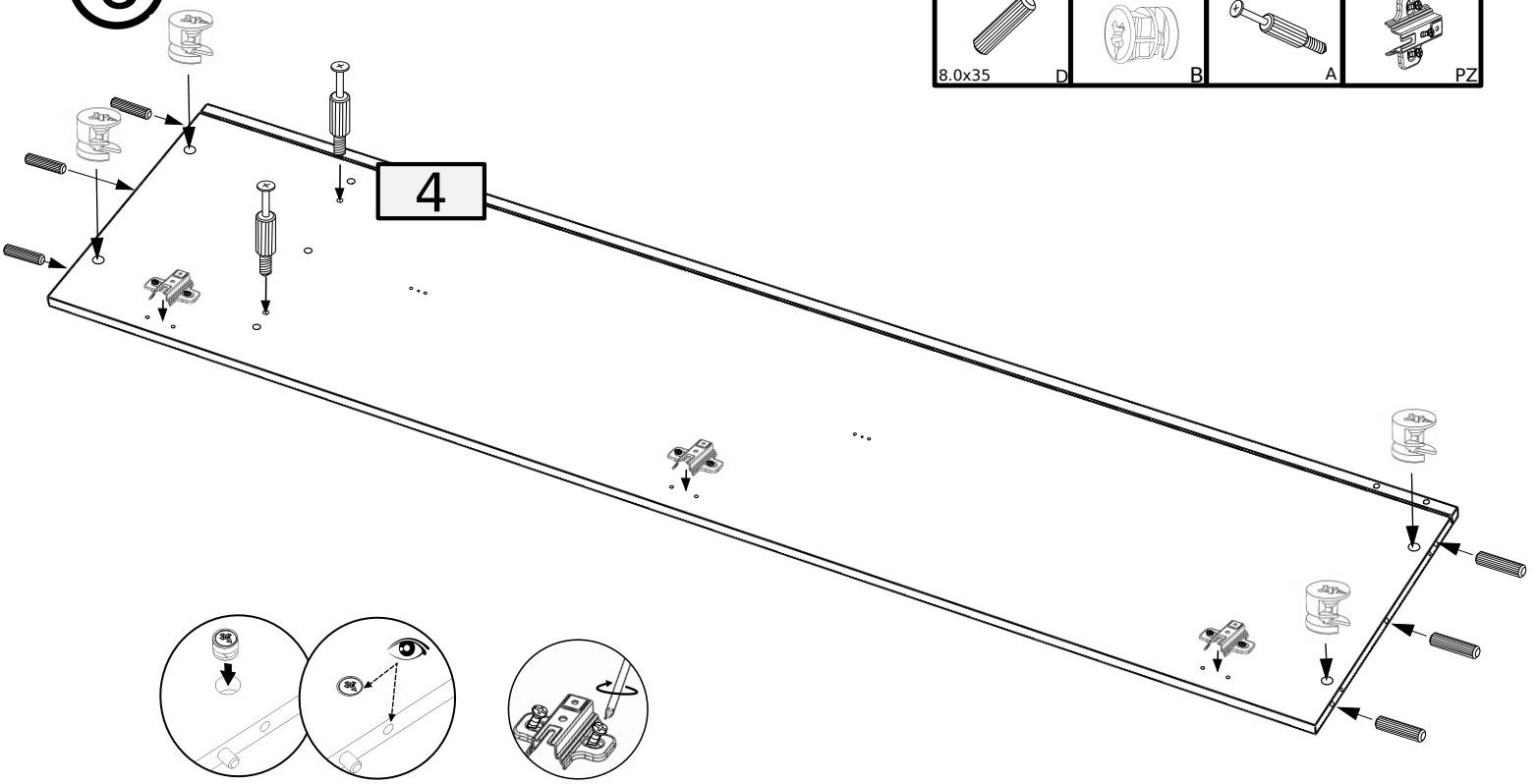
x2



PK

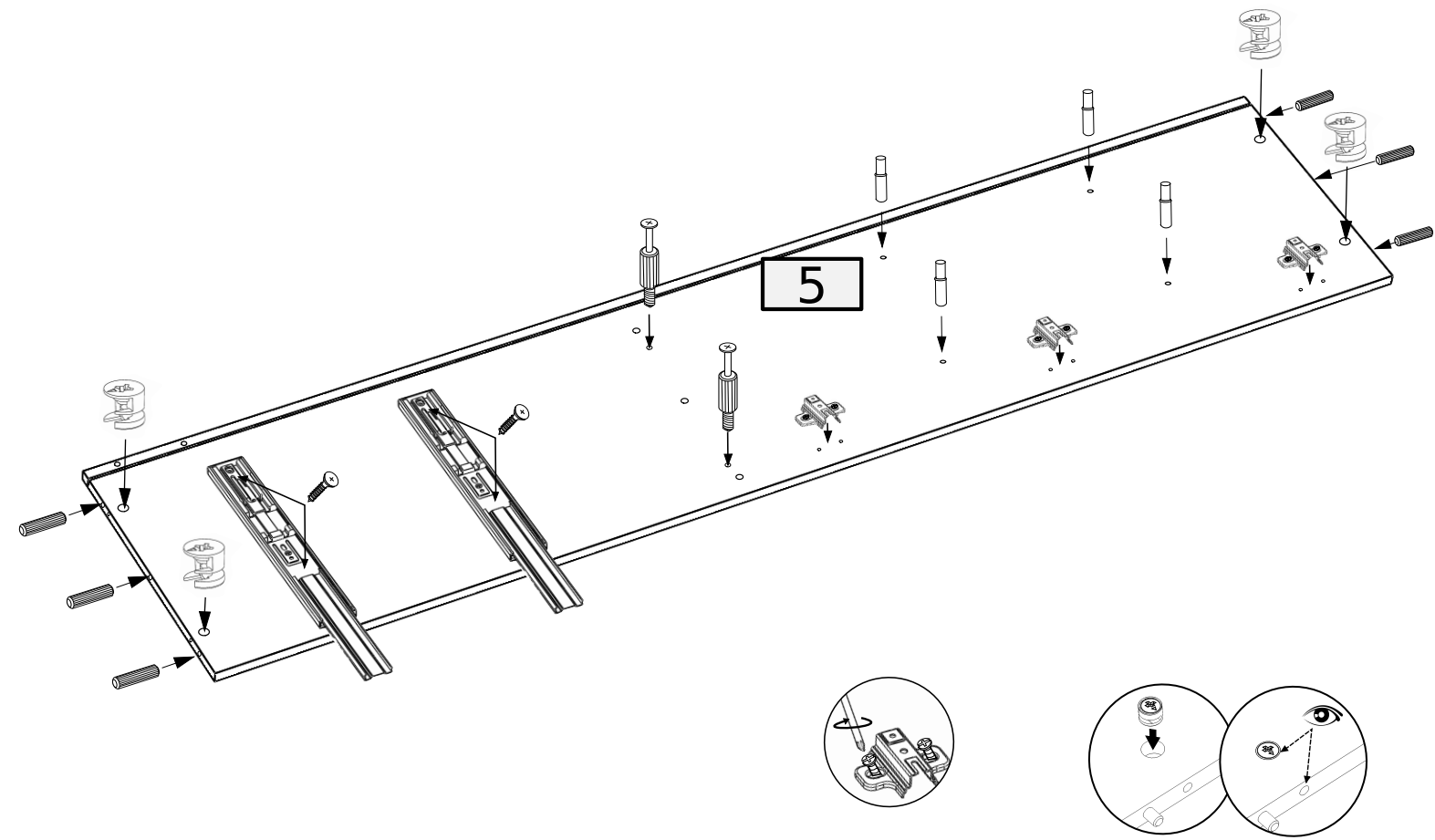
6

6	4	2	3
8.0x35	B	A	PZ

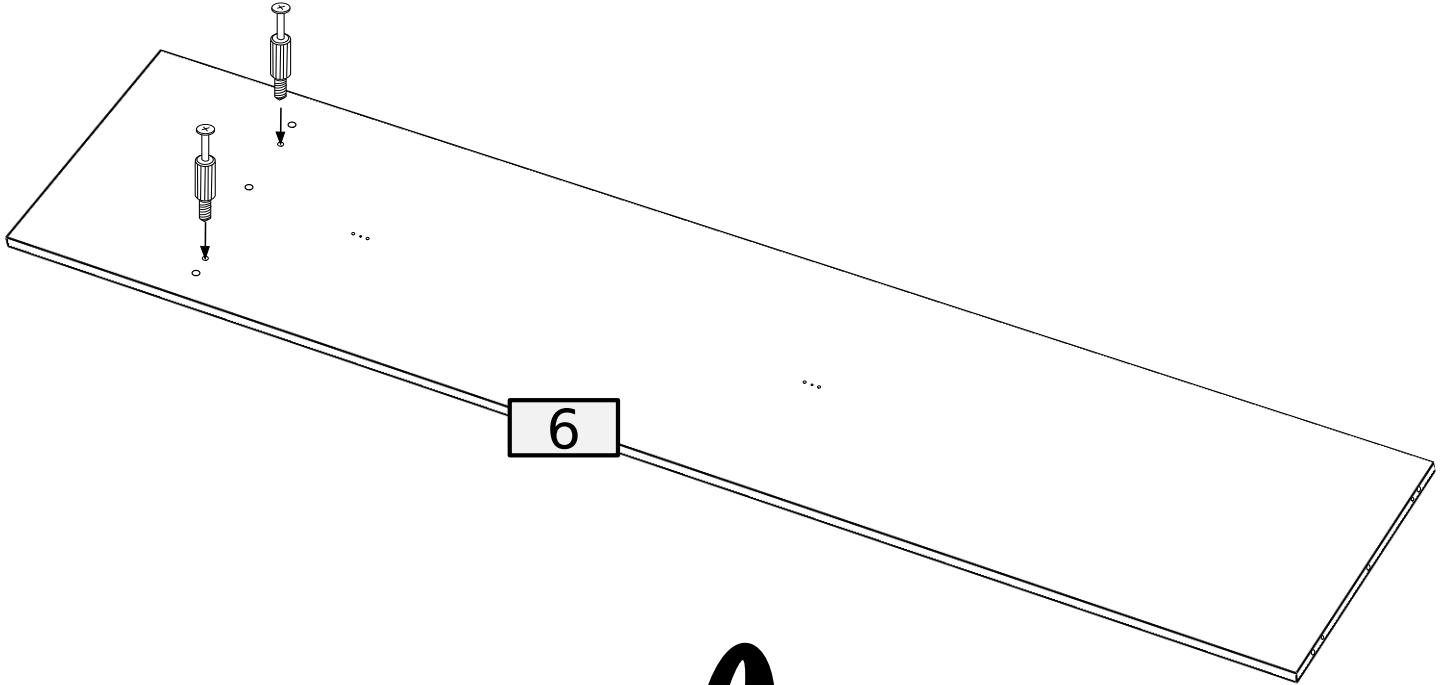
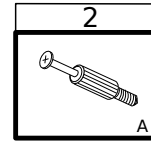


7

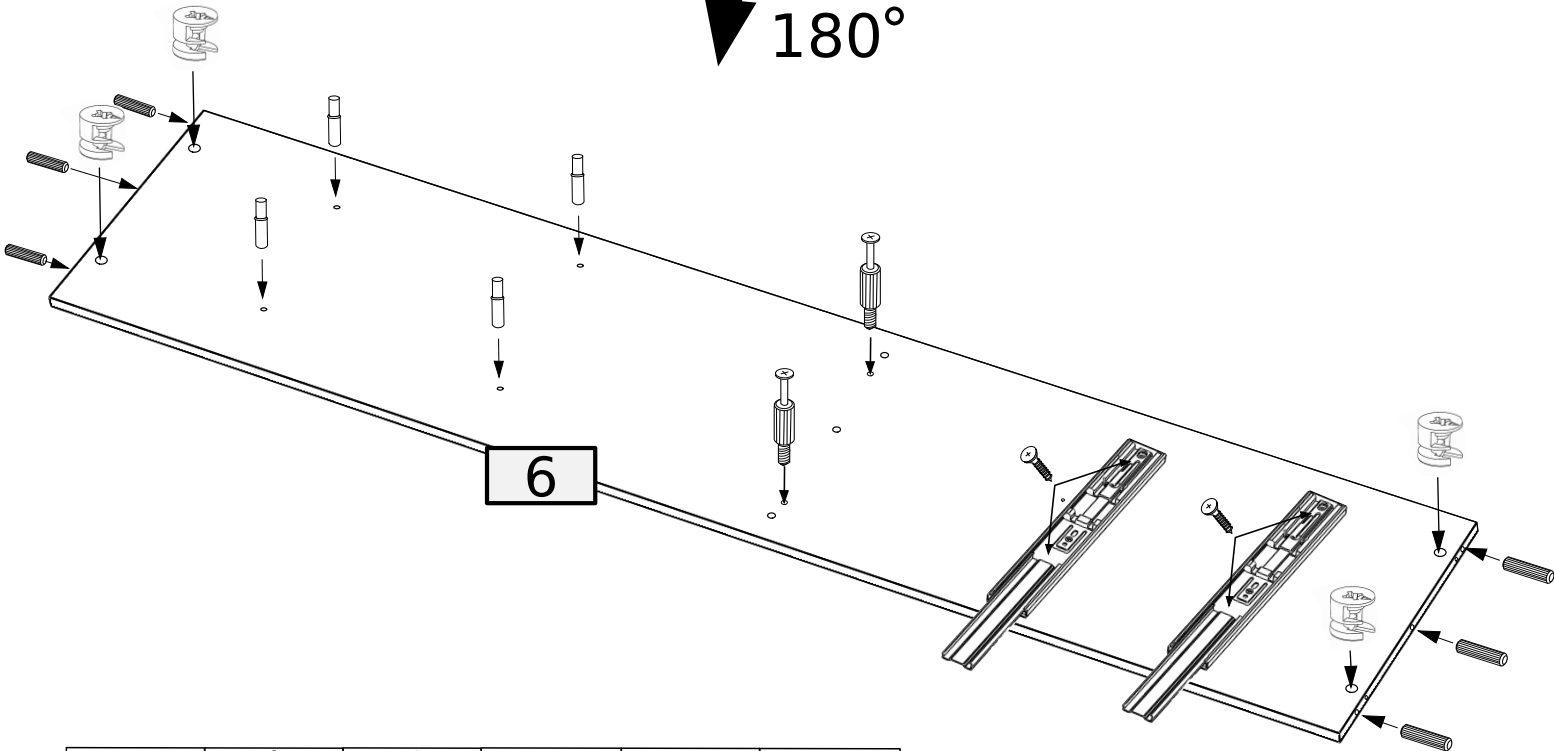
6	4	6	4	2	4	3
8.0x35	B	A	3.5x16 W2	PK	S3	PZ



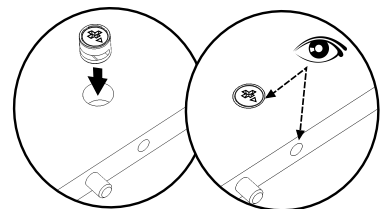
8



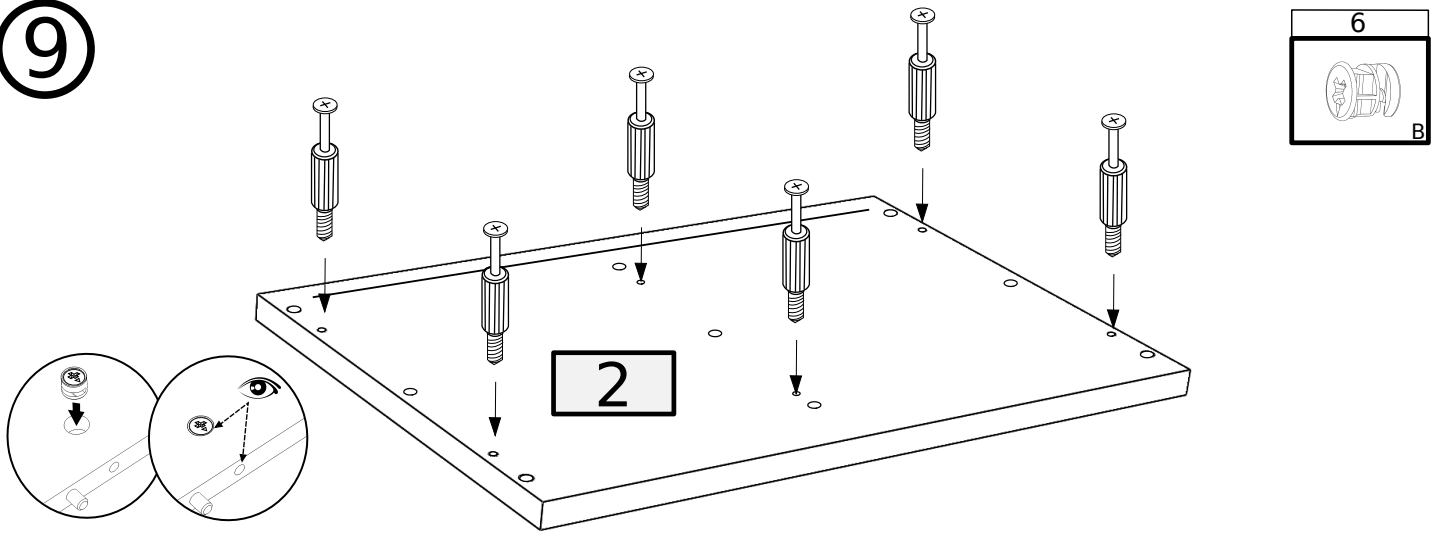
180°



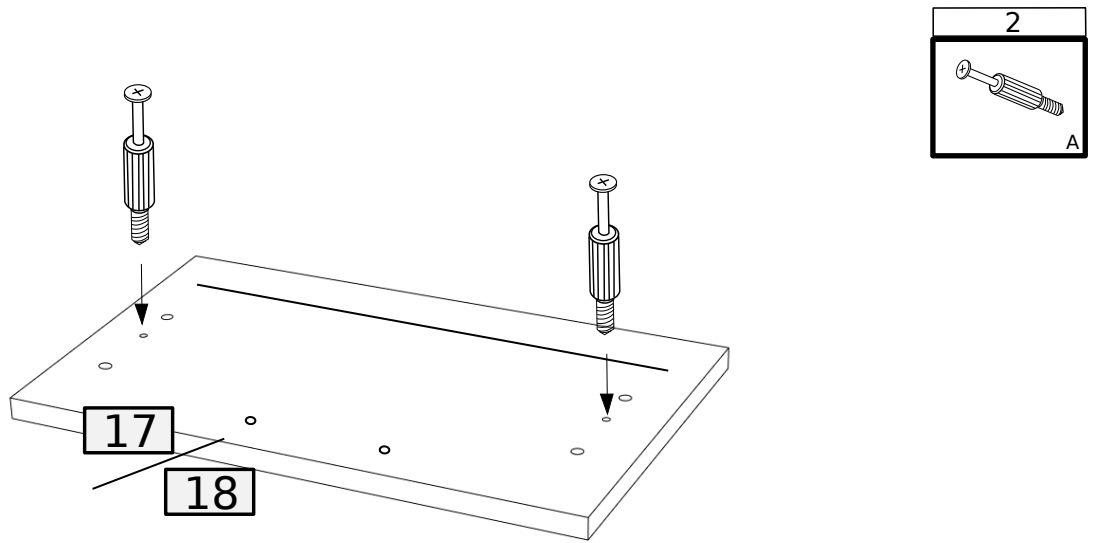
6	4	2	4	4	2
8.0x35	D	A	S3	3.5x16 W2	PK



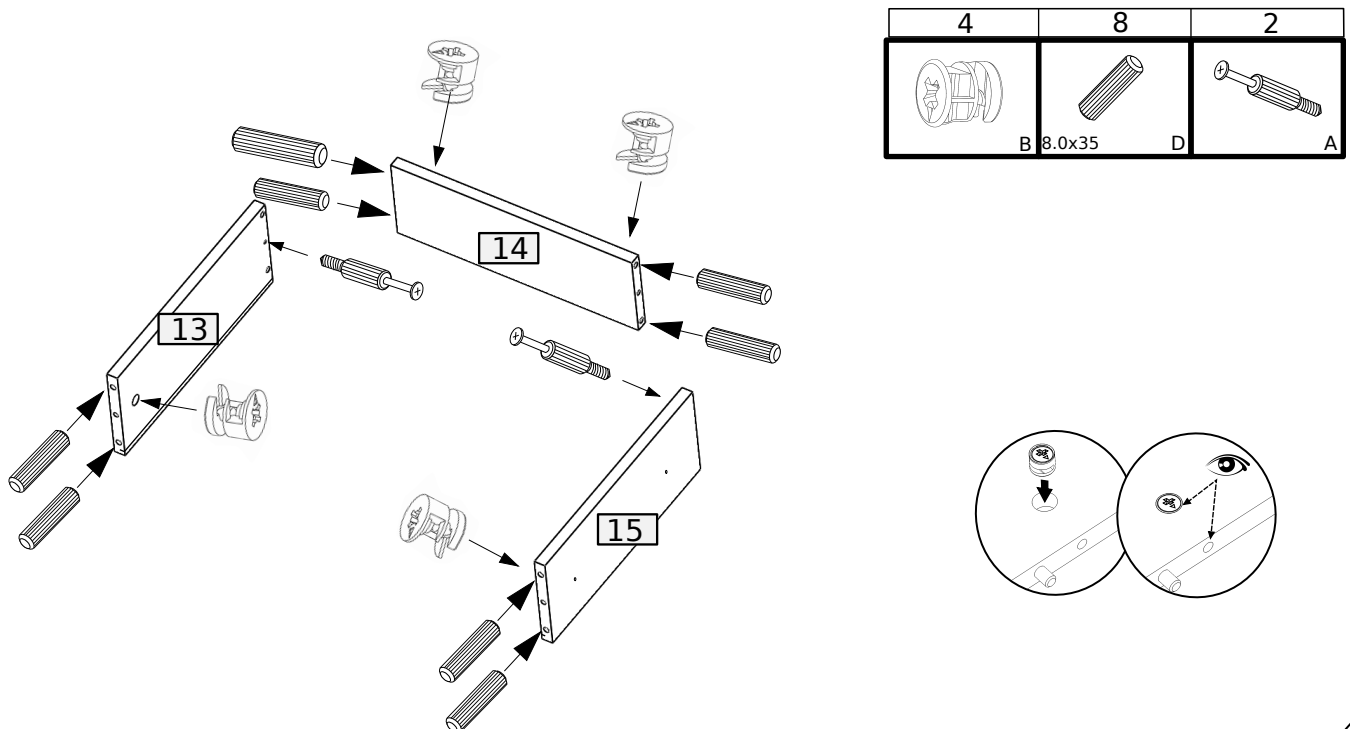
9



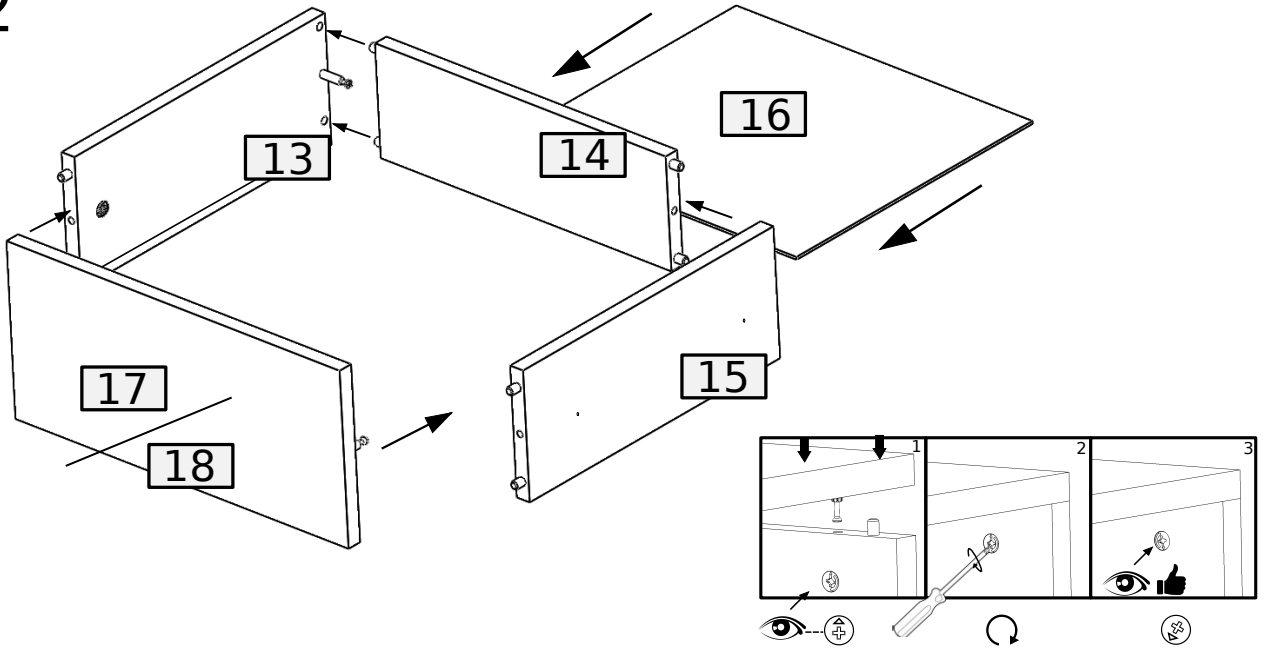
10 x2



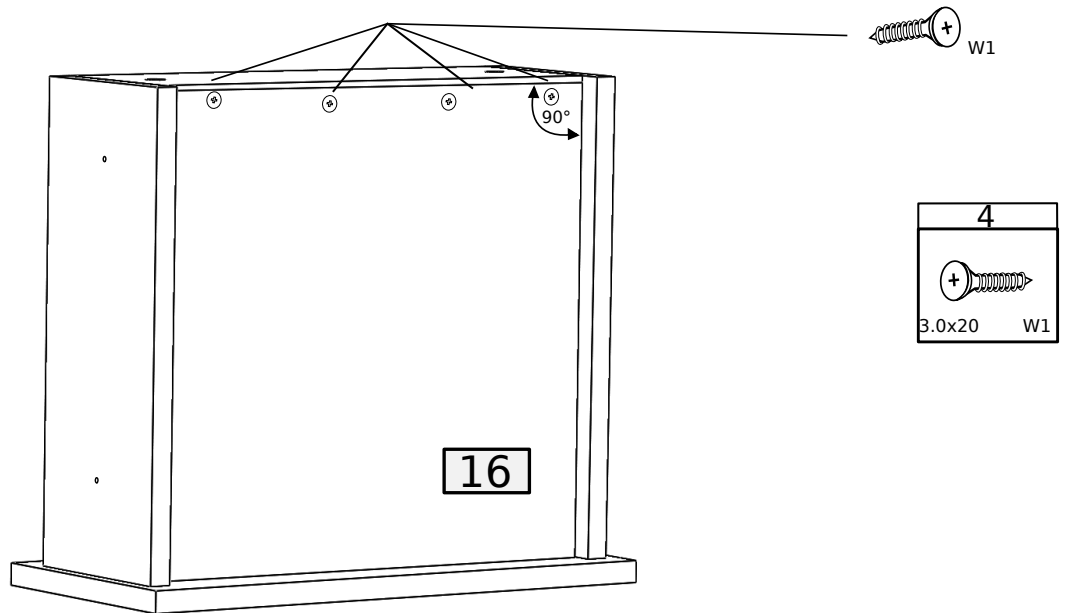
11 x2



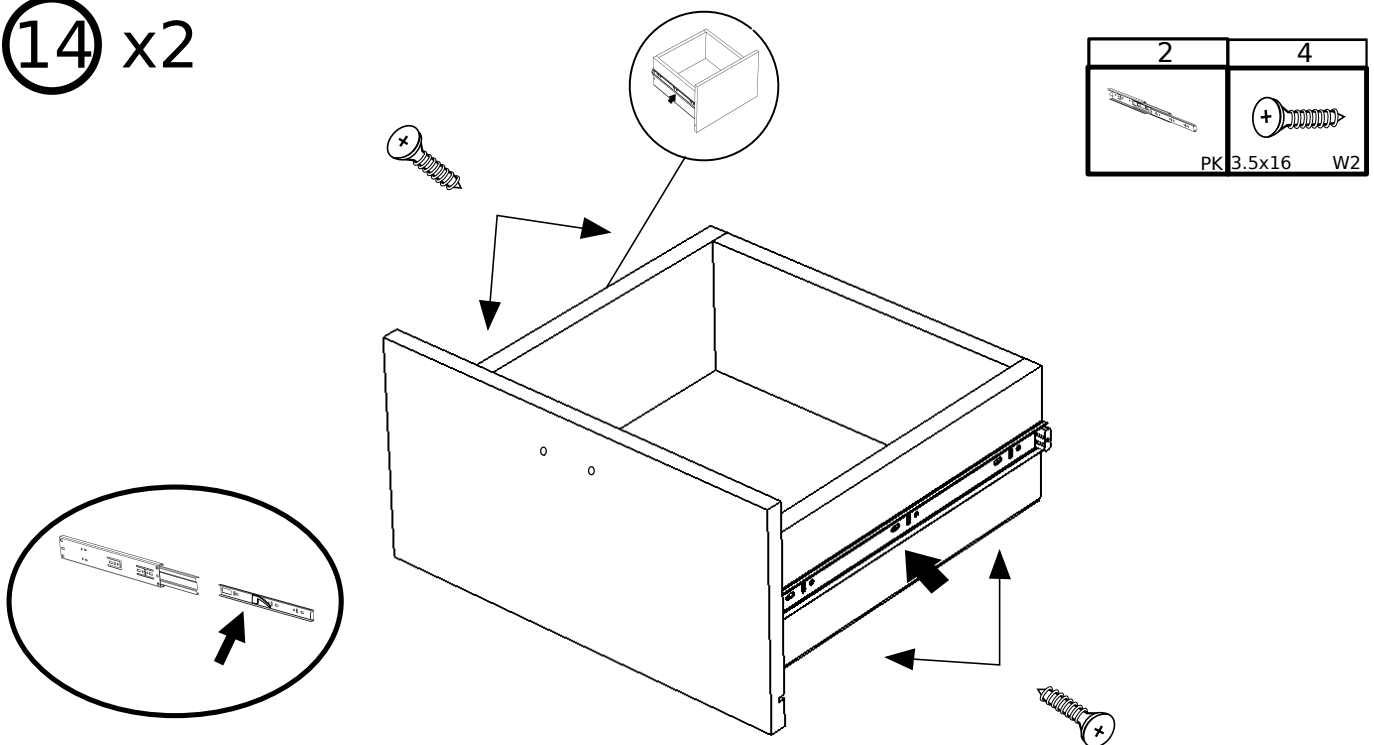
12 x2



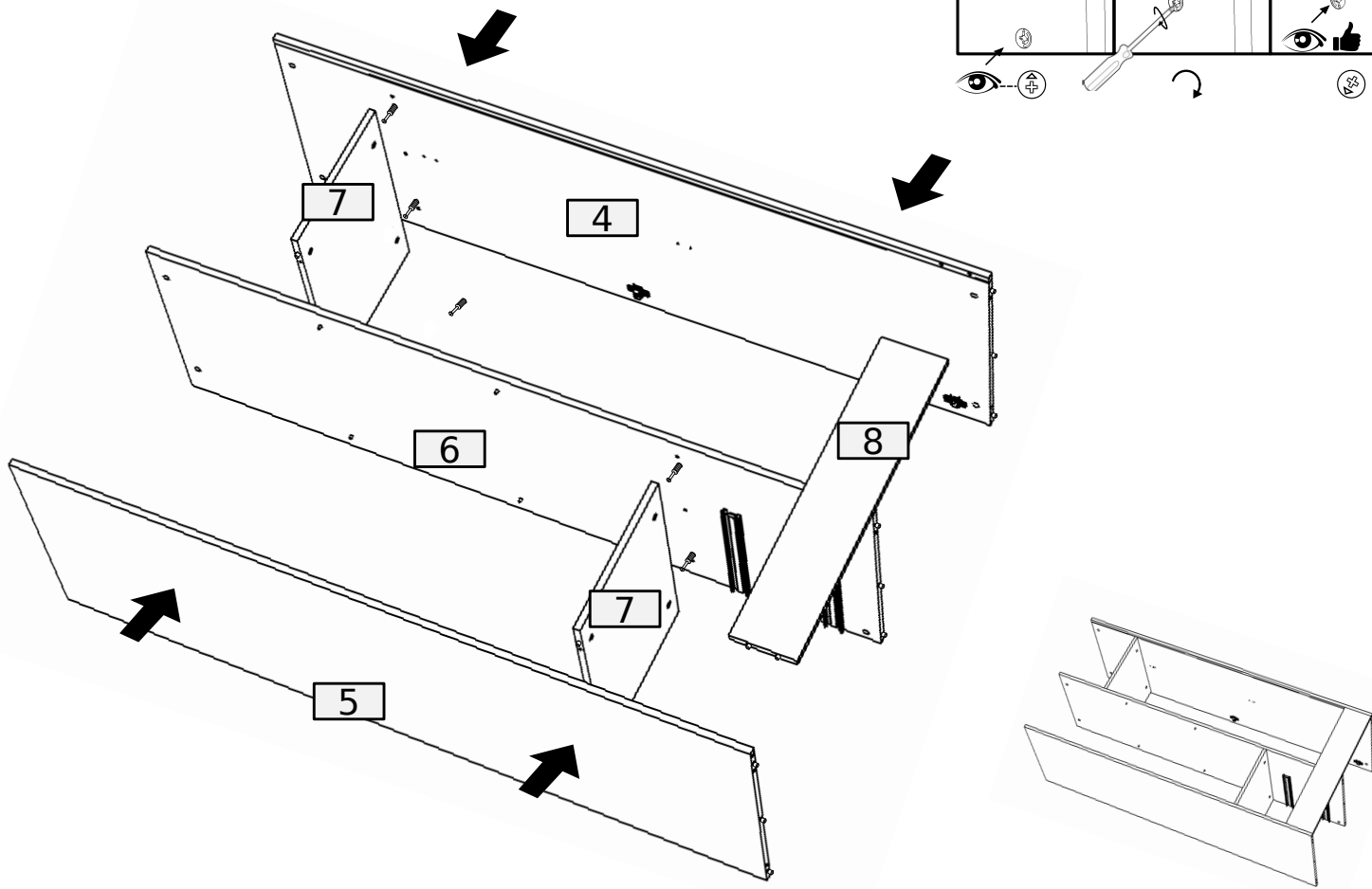
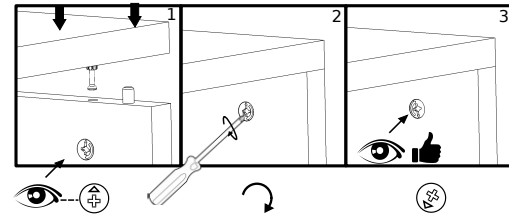
13 x2



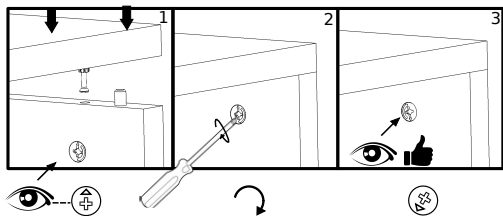
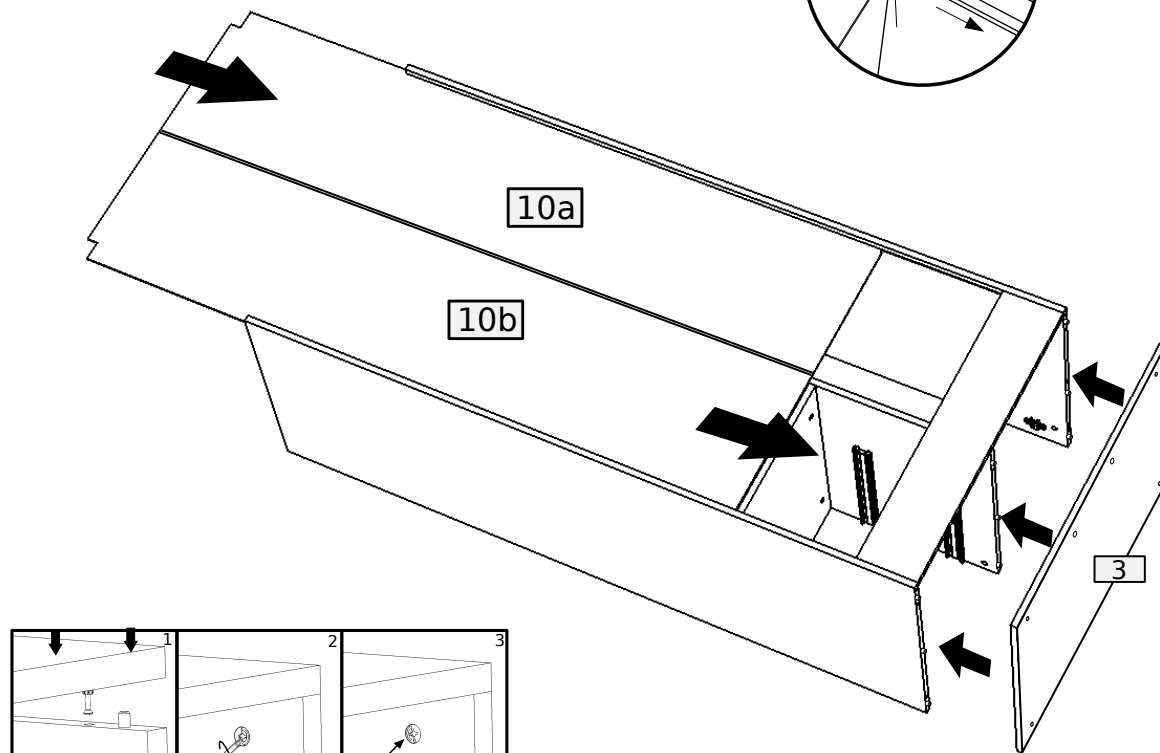
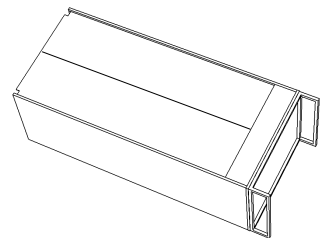
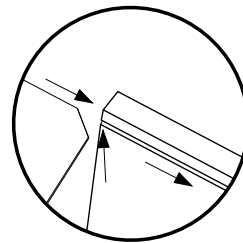
14 x2



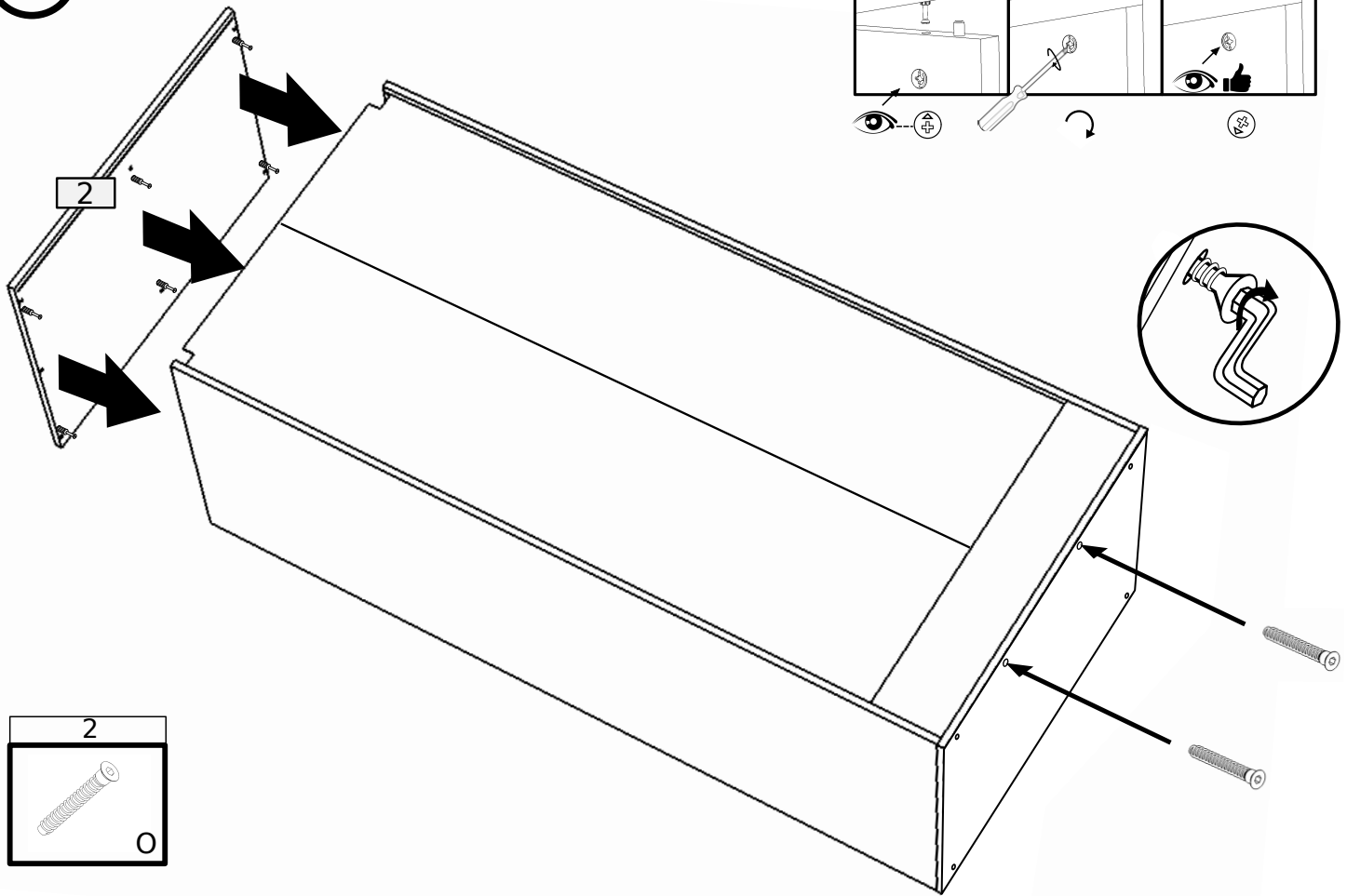
15



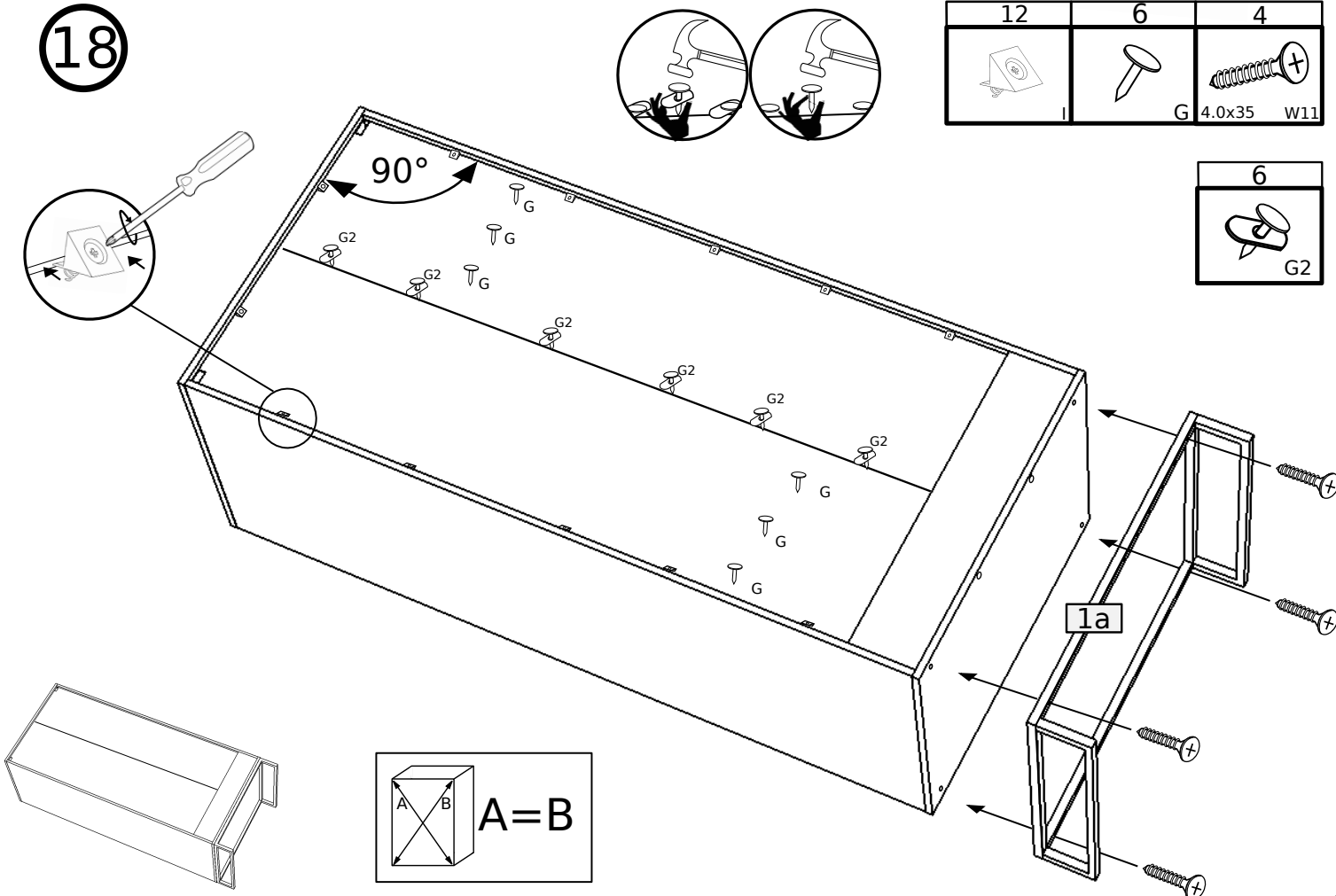
16



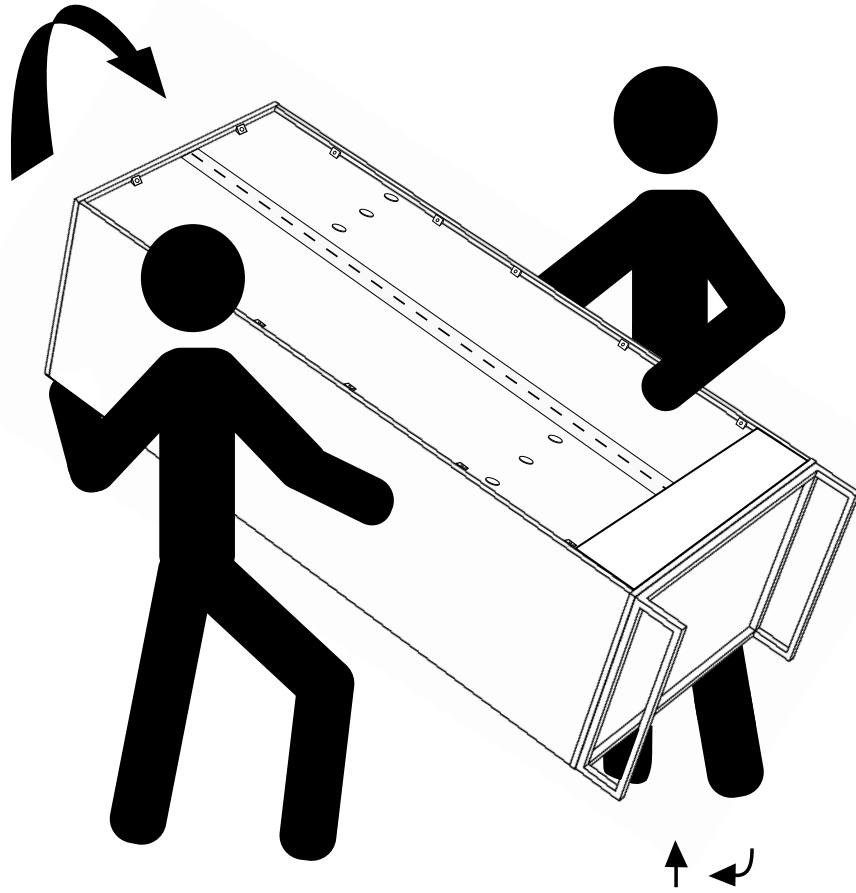
17



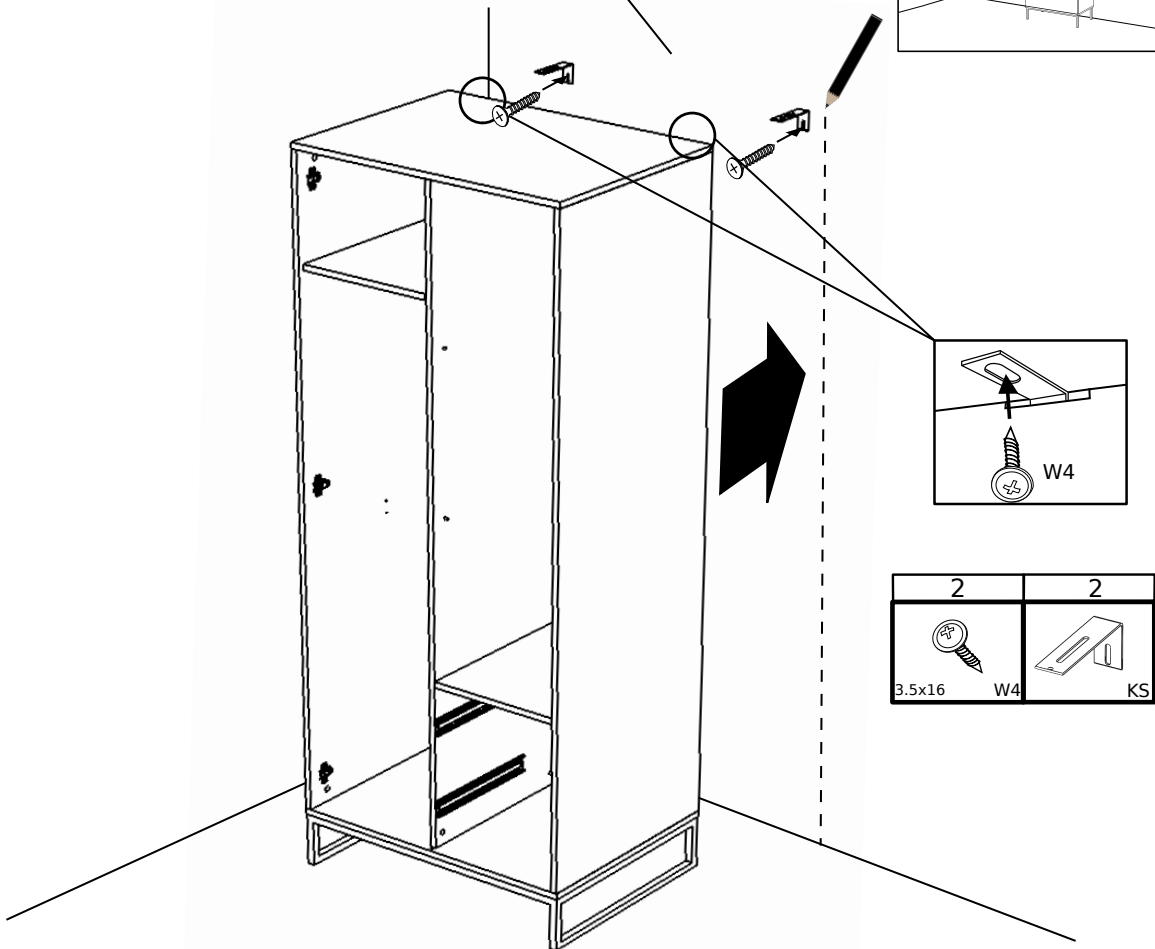
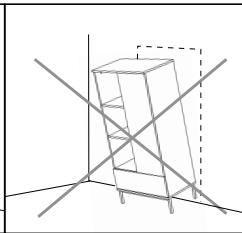
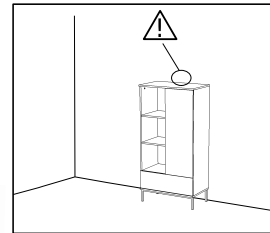
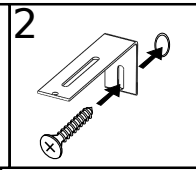
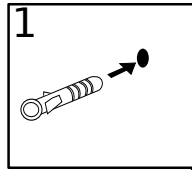
18



19


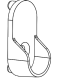


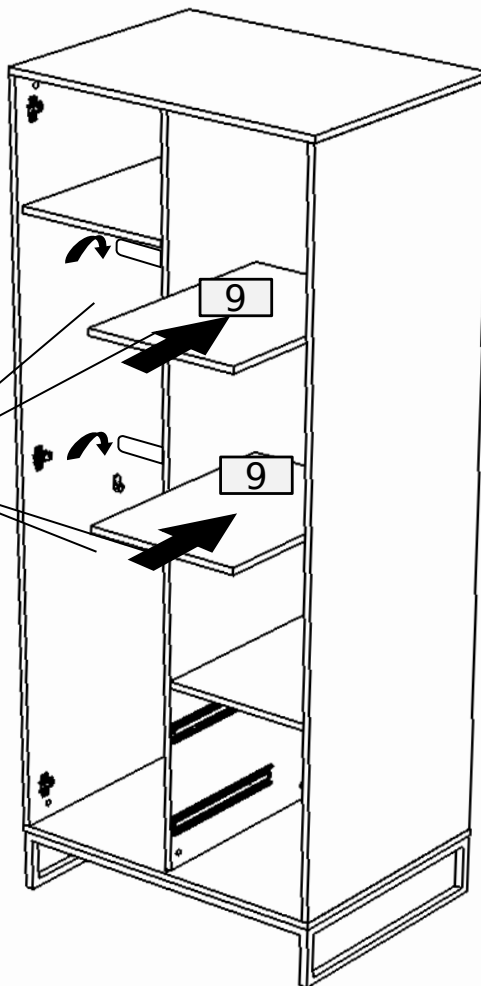
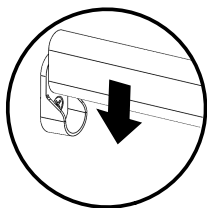
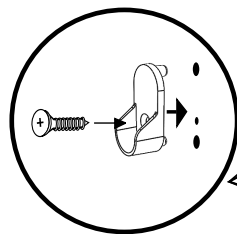
20



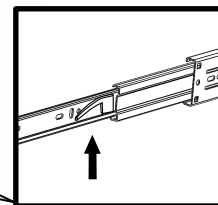
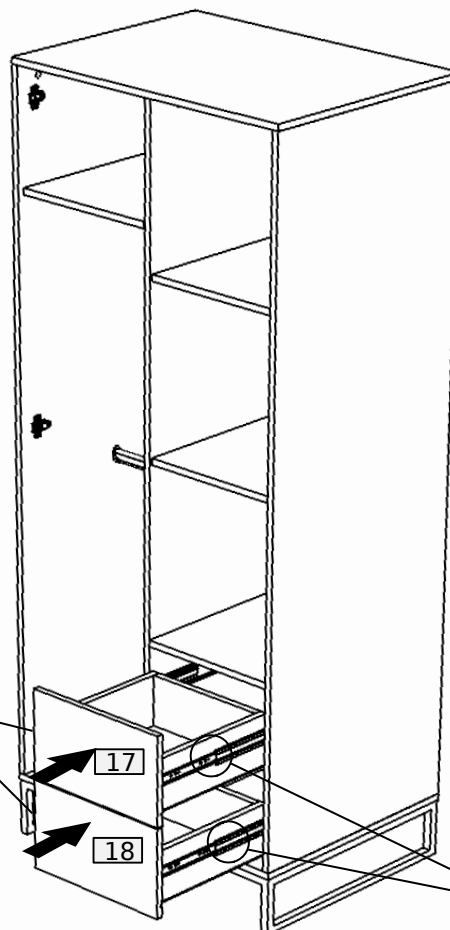
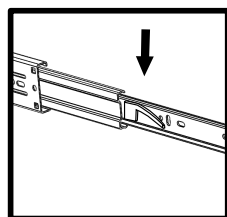
2	2
3.5x16	KS

21

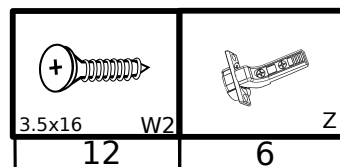
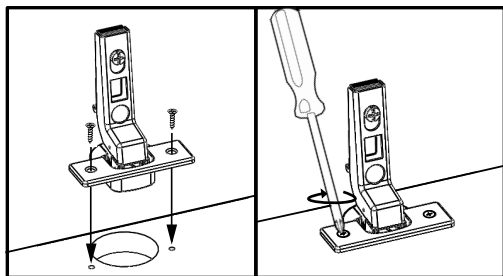
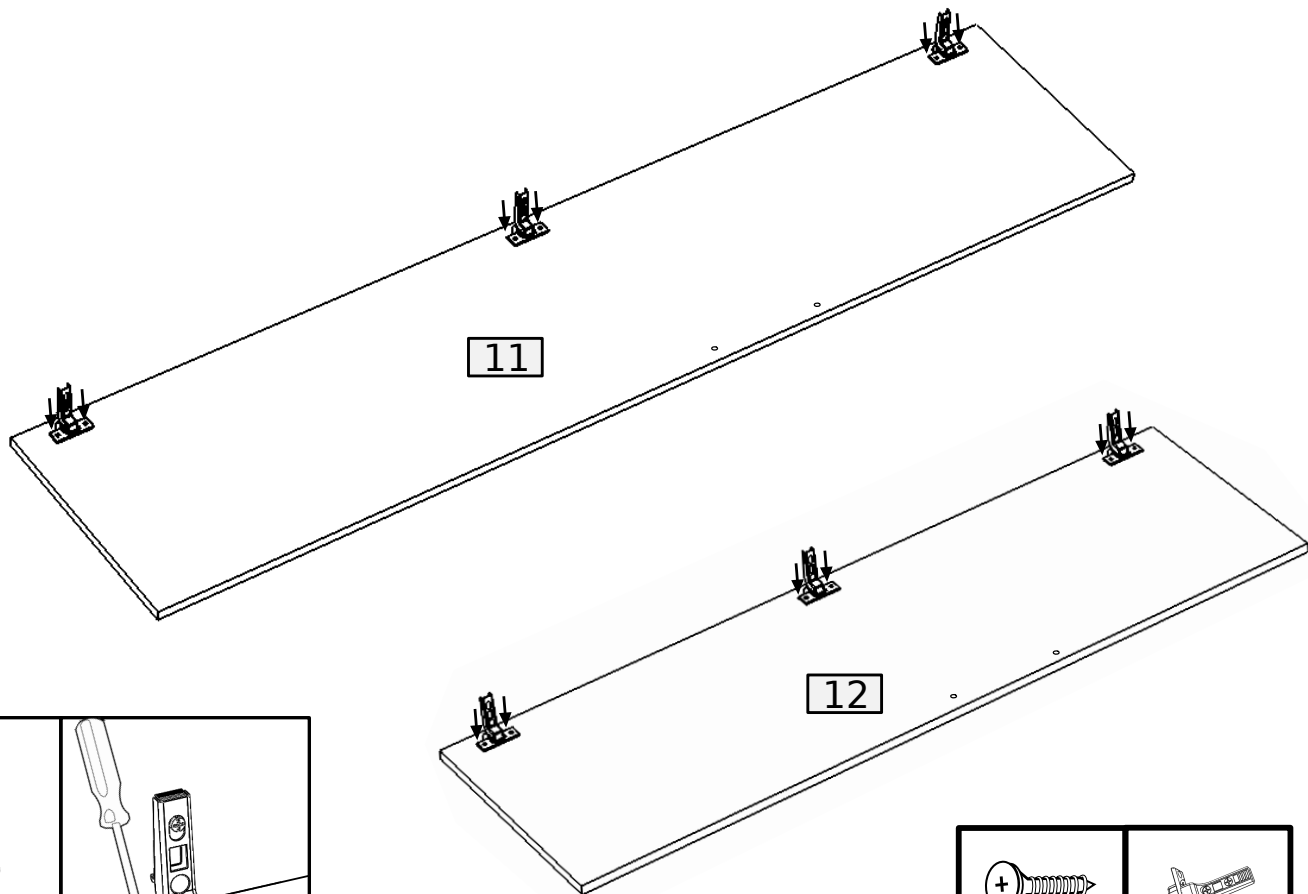
	
3.5x16 W2	N2
4	4



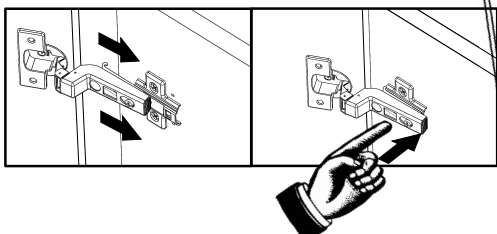
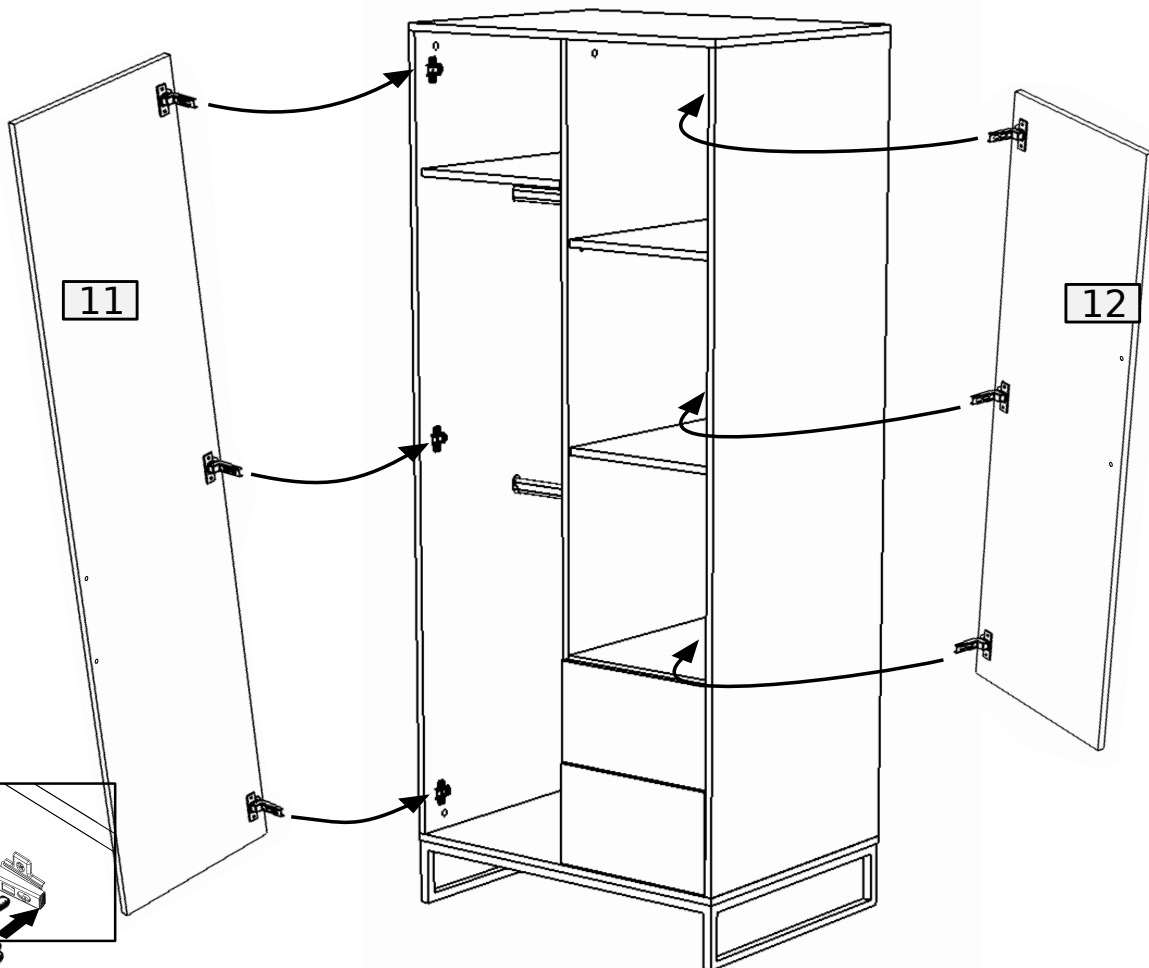
22





23

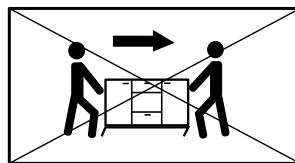
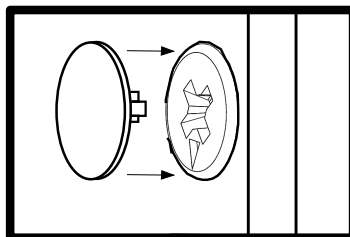
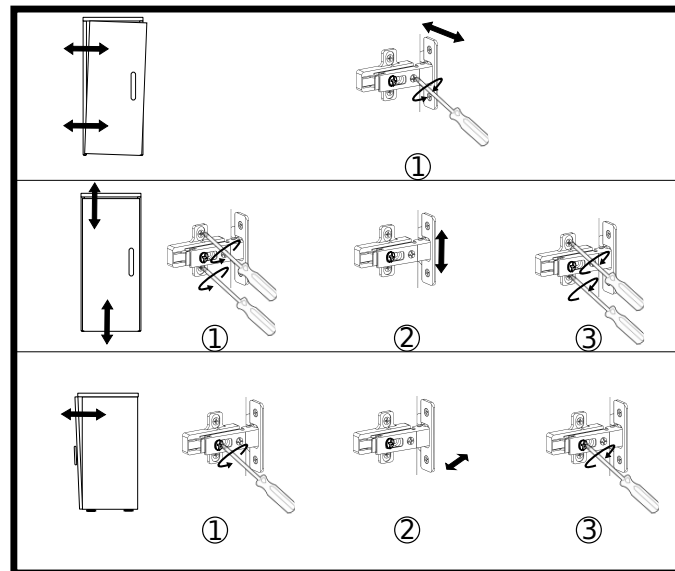
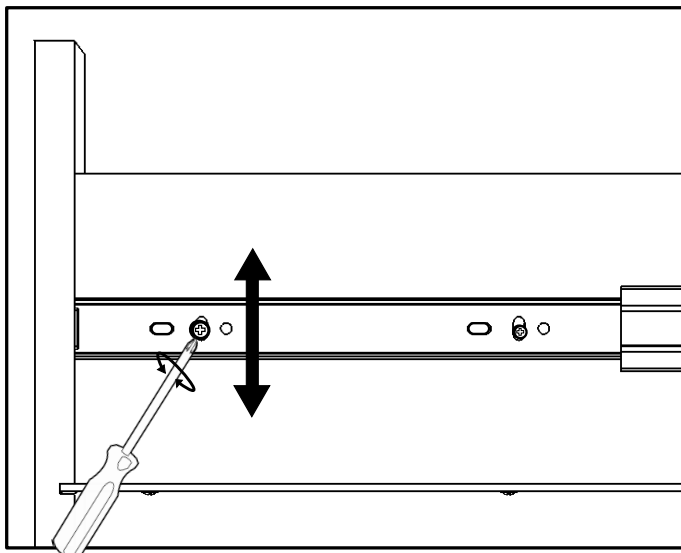
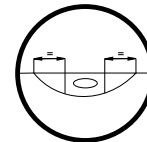
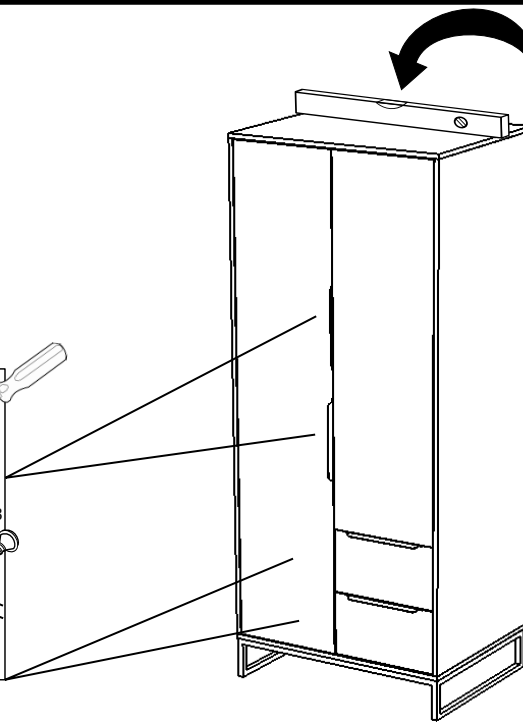
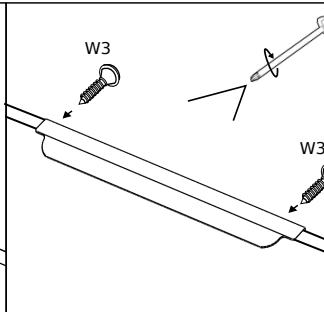
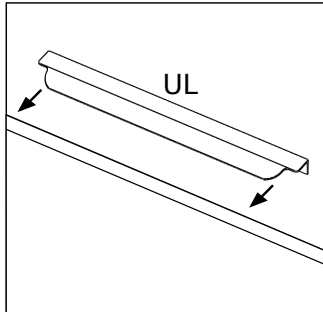


24

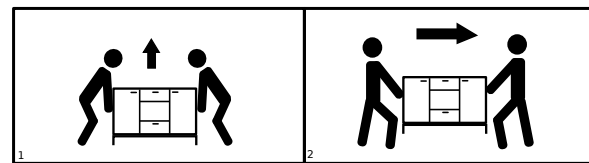


25

2	4
	
UL	3.0x16 W3



X



✓

