

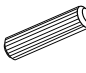






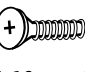






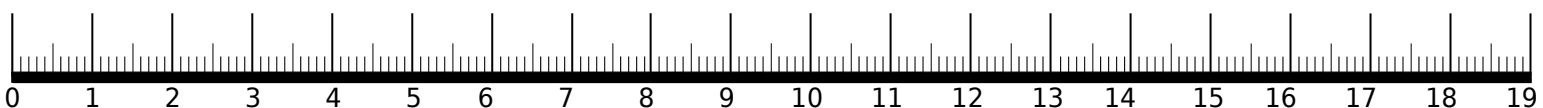
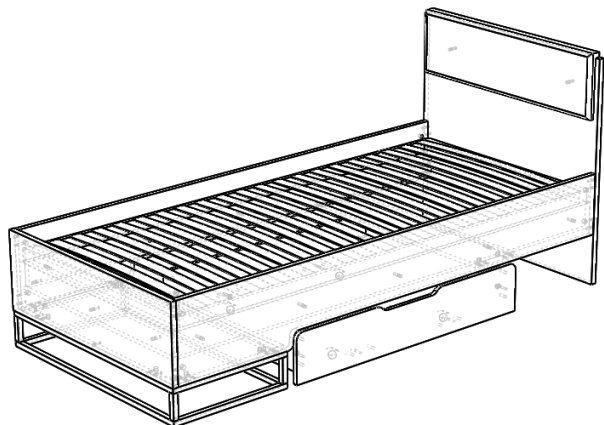
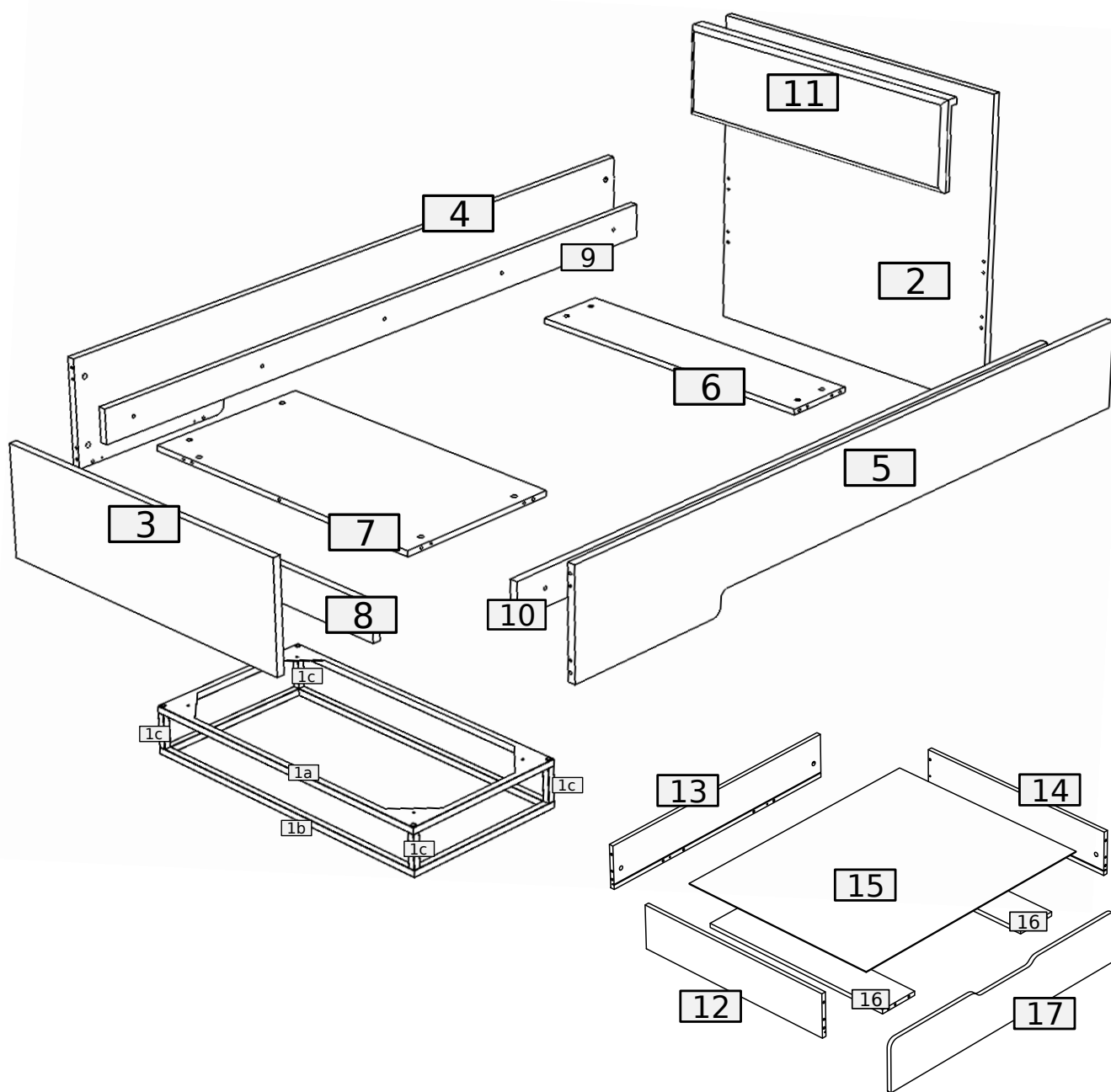


22	22	35	17	4	4	15	4
							
B	A 8.0x35	D	G3	V3 50	V4 M6x30	V5 M6x10	V8
							
X 3.5x16	W2	U1	KP	FC			
8	8	1	4	4			

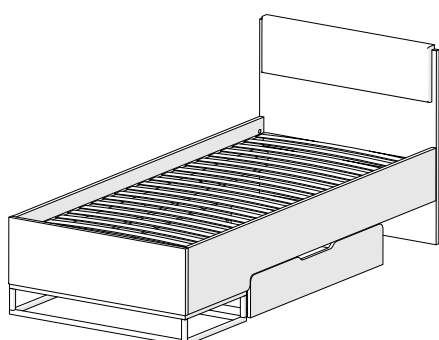
		
US	ZS	U2
8	8	1



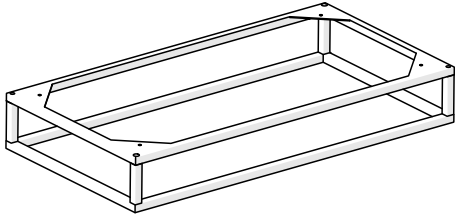
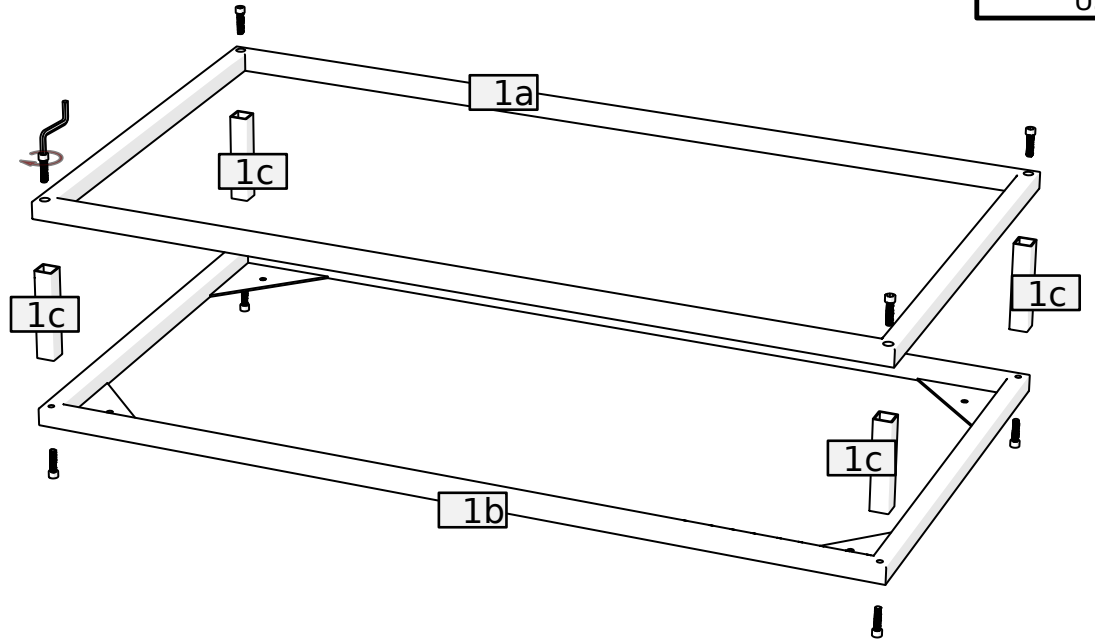
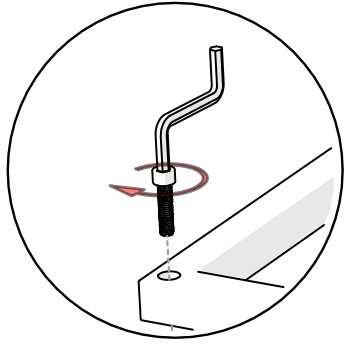
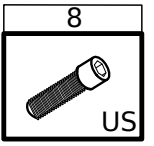


No.	Pcs.	L	W	D	Pac
1a	1	943	495	20	4/4
1b	1	943	495	20	4/4
1c	1	100	20	20	4/4
2	1	948	900	22	1/4
3	1	948	310	22	1/4
4	1	2004	309	22	2/4
5	1	2004	309	22	2/4
6	1	902	200	16	1/4
7	1	902	476	16	1/4
8	1	902	100	22	1/4
9	1	1980	100	22	2/4
10	1	1980	100	22	2/4
11	1	900	260	80	4/4

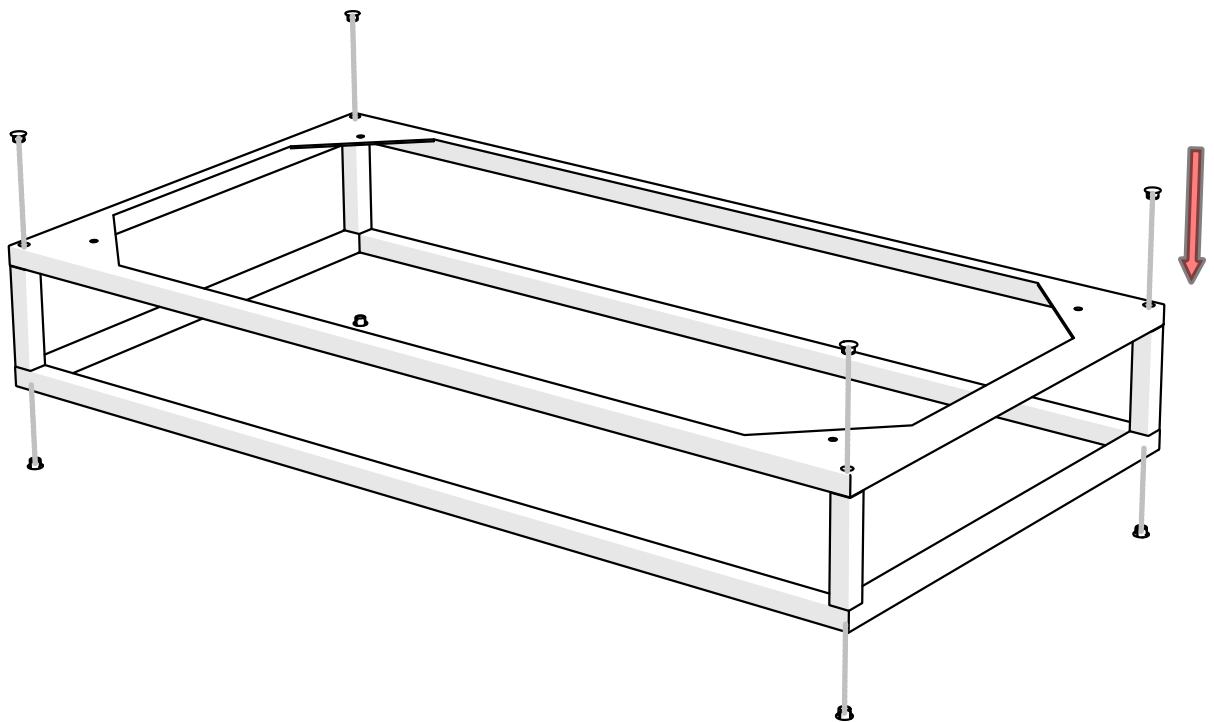
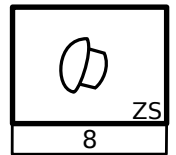
No.	Pcs.	L	W	D	Pac
12	1	784	166	16	3/4
13	1	978	166	16	3/4
14	1	784	166	16	3/4
15	1	992	782	3	1/4
16	2	768	150	16	3/4
17	1	1070	194	16	3/4



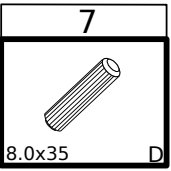
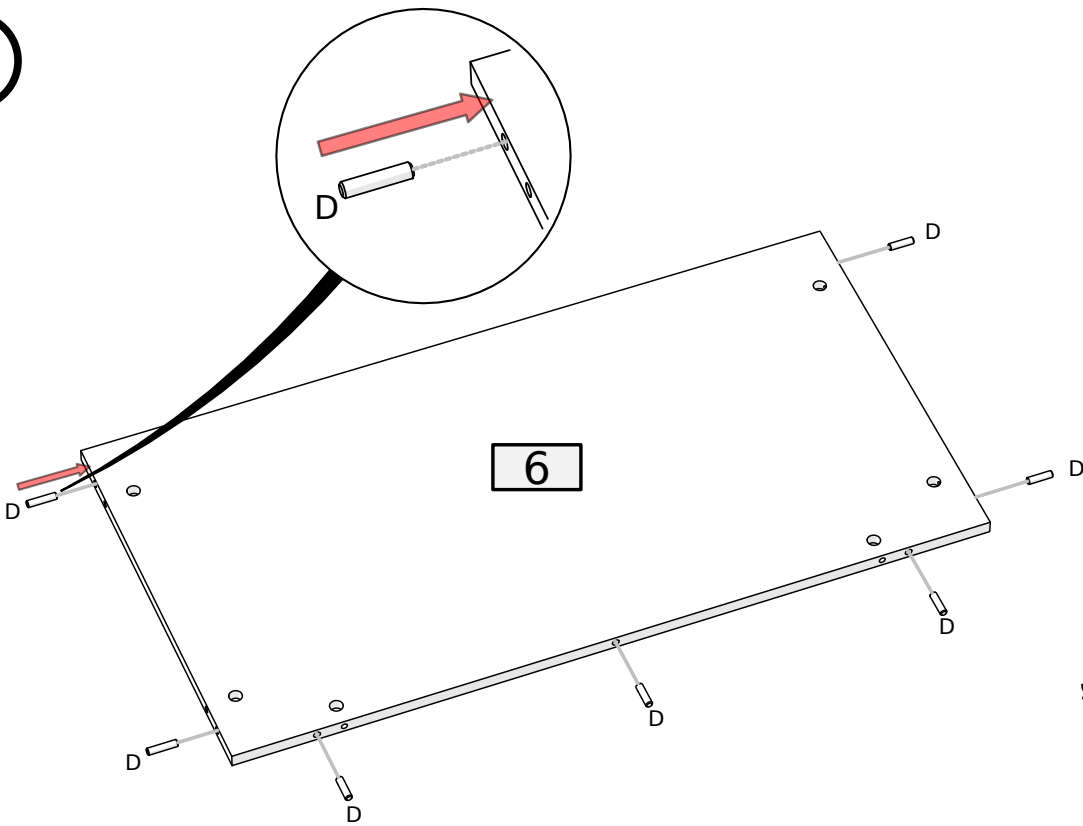
①



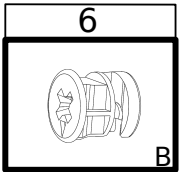
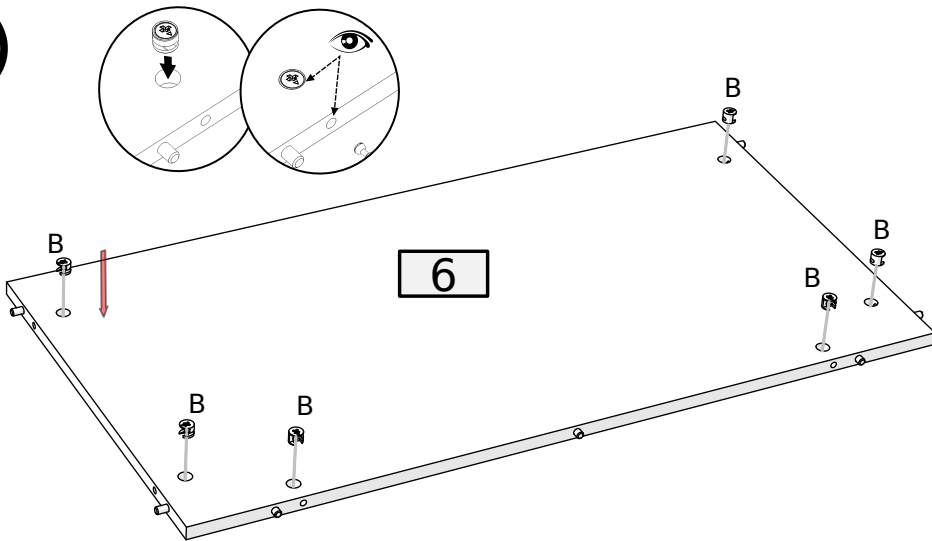
②



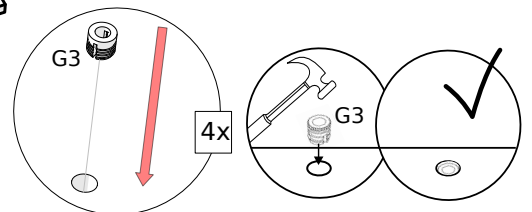
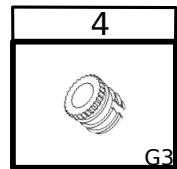
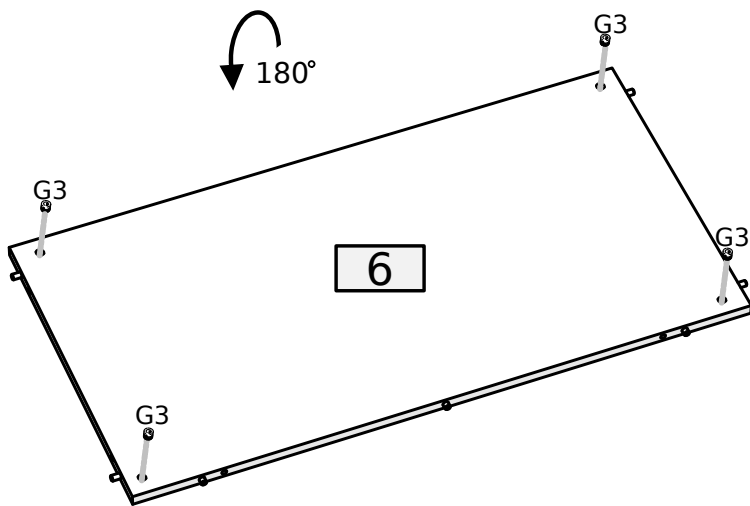
3



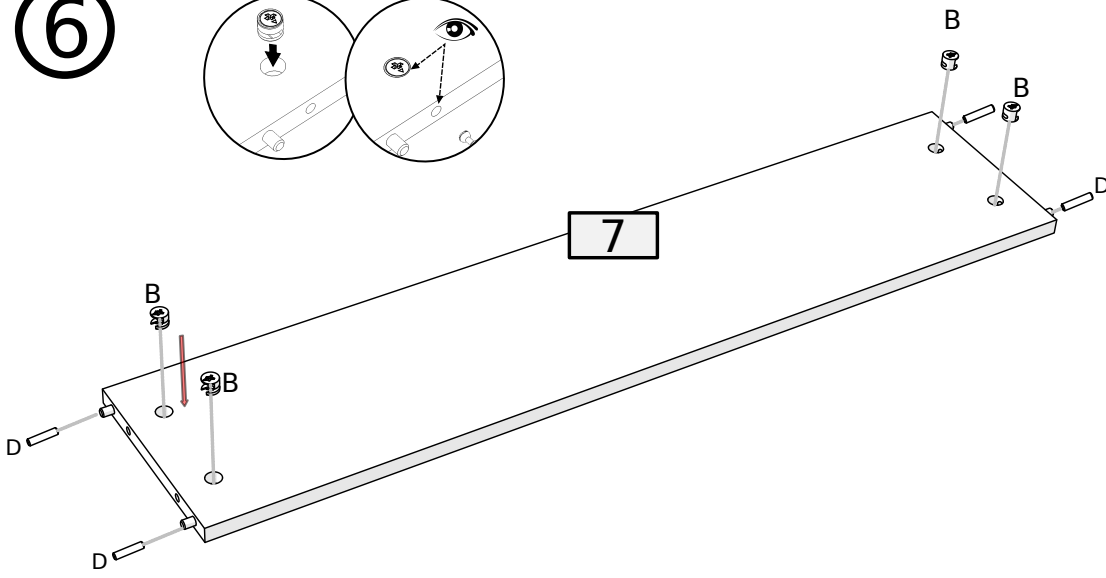
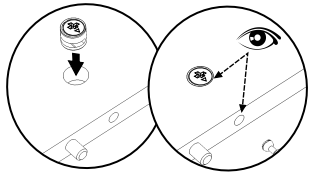
4





5

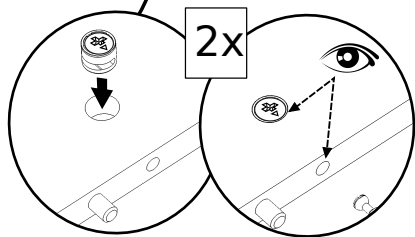
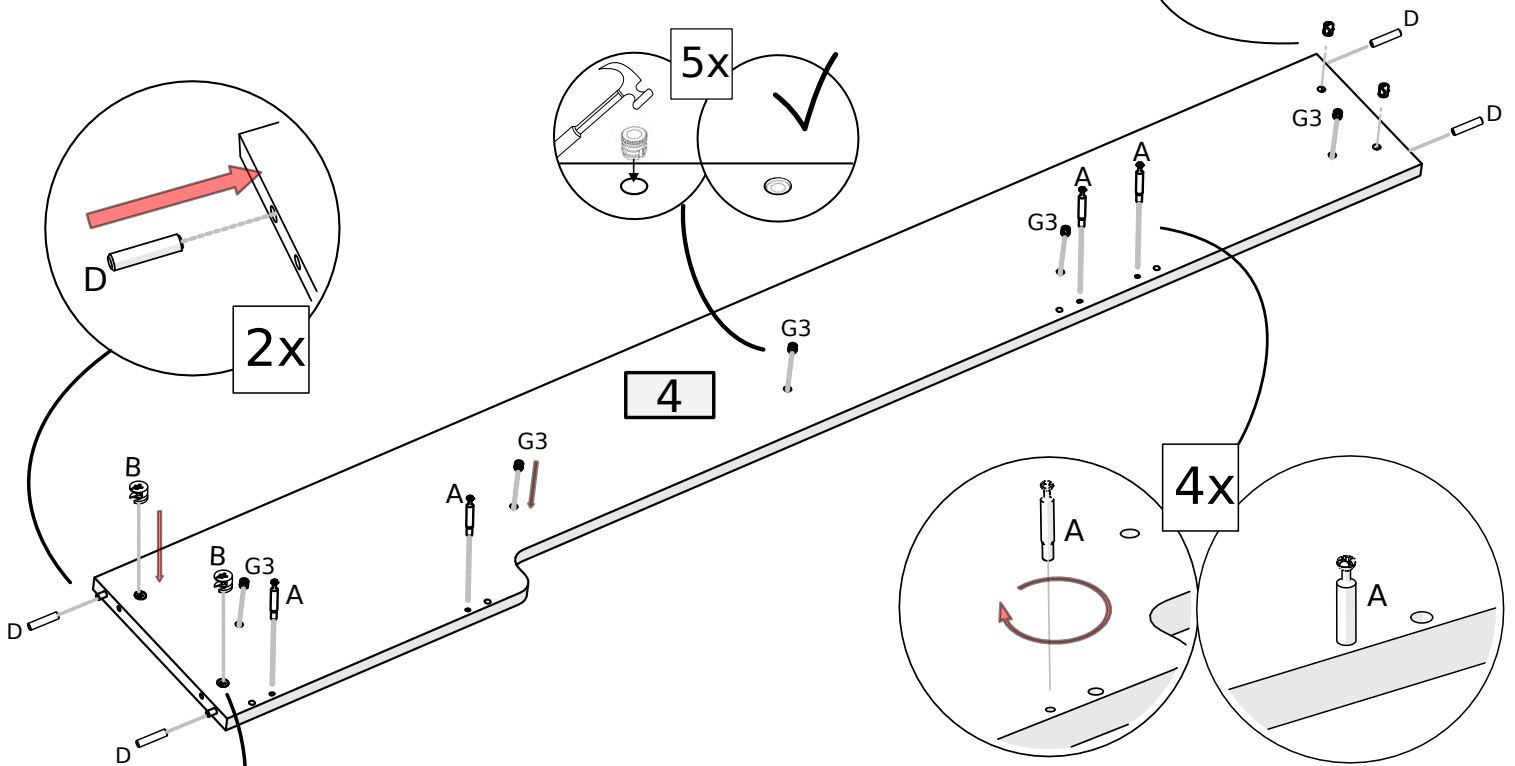
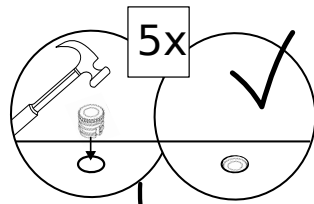
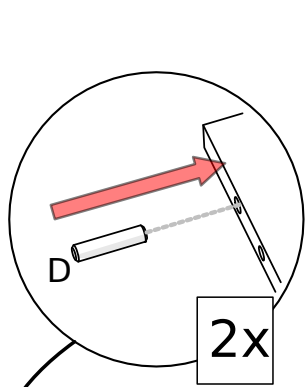
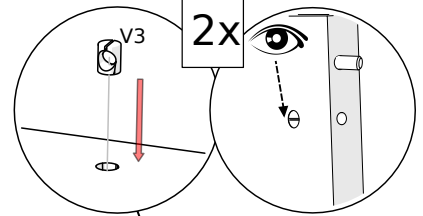


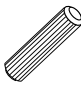




6



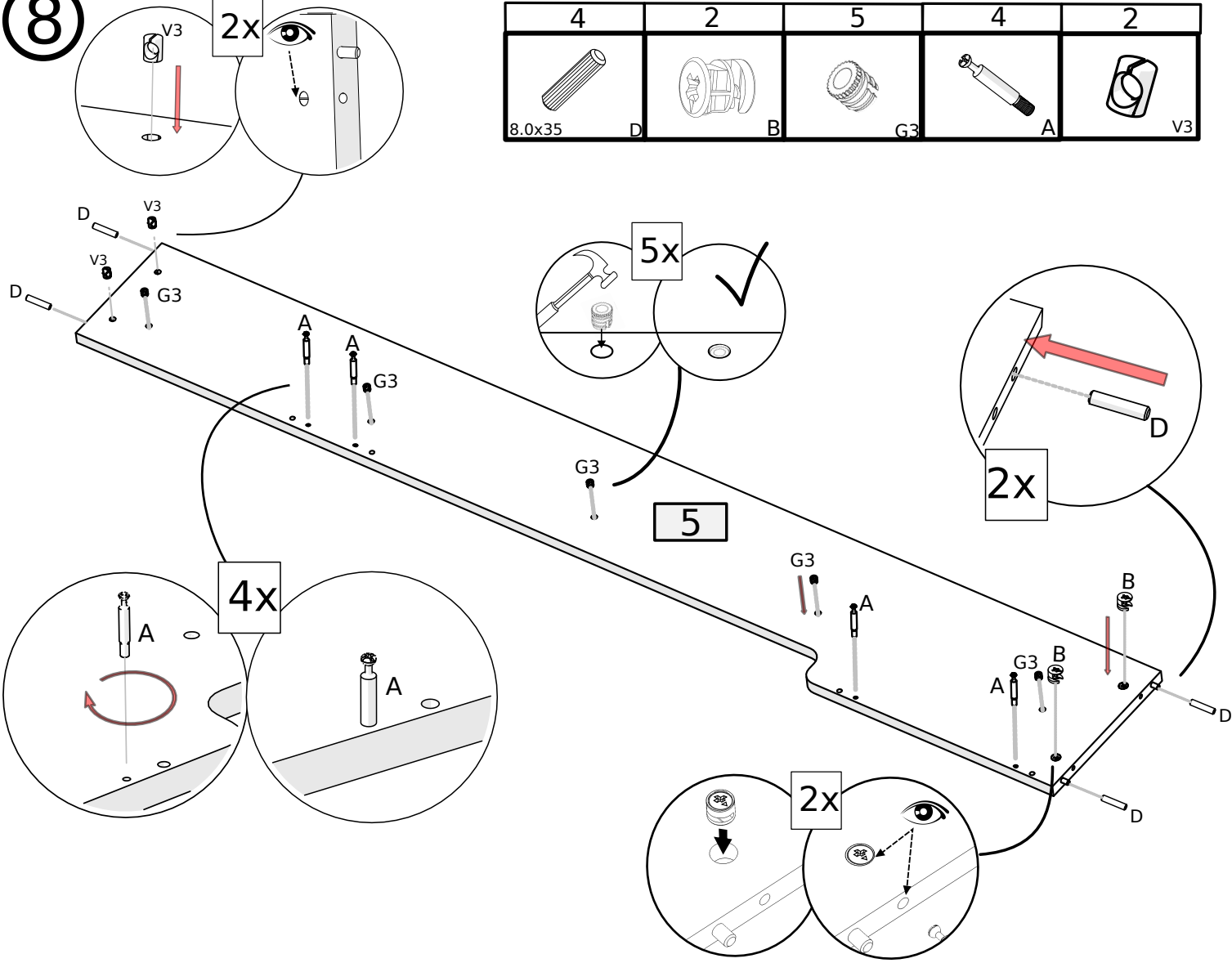
4	4
	
B 8.0x35 D	

7

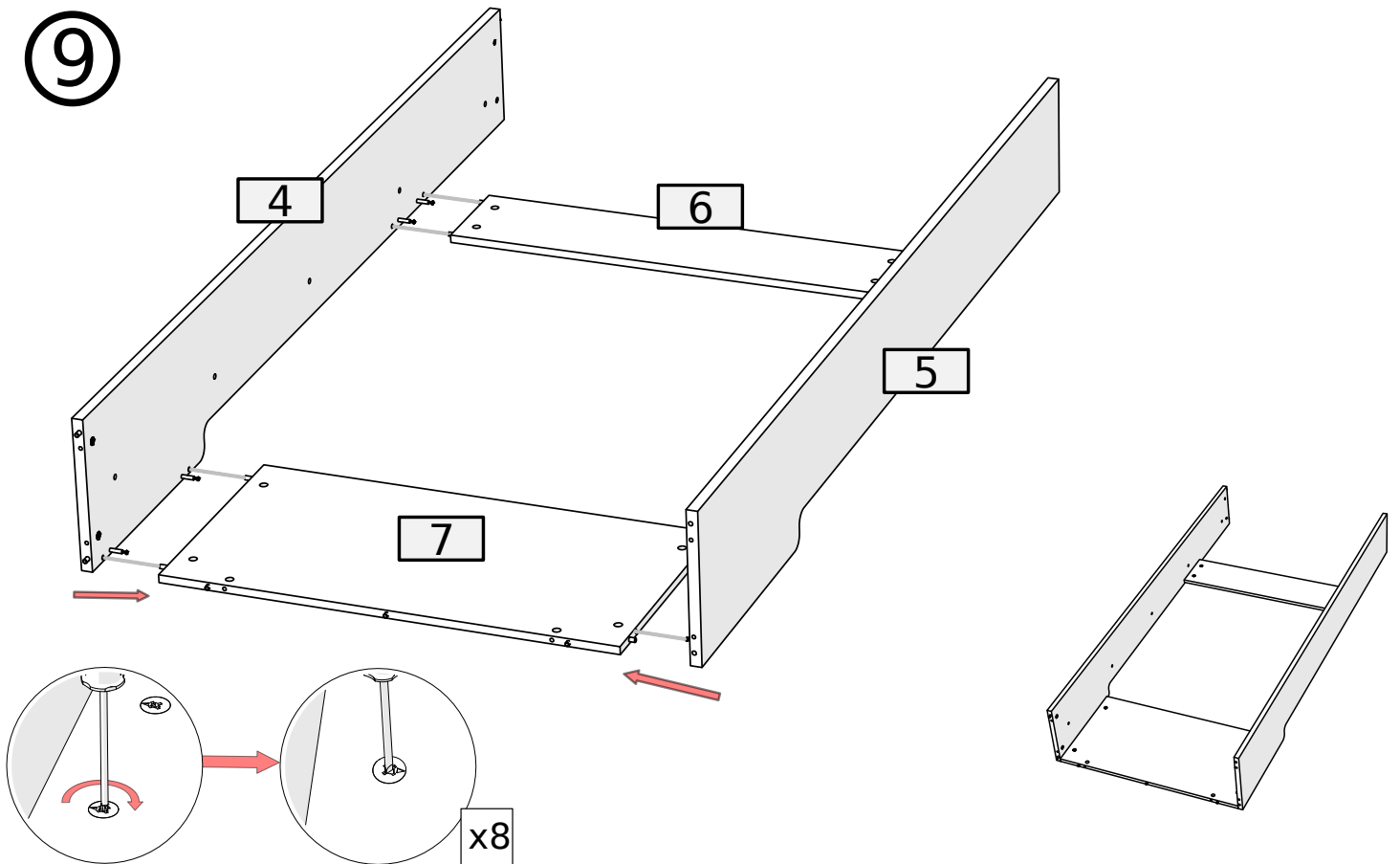


4	2	5	4	2
				
8.0x35 D	B	G3	A	V3

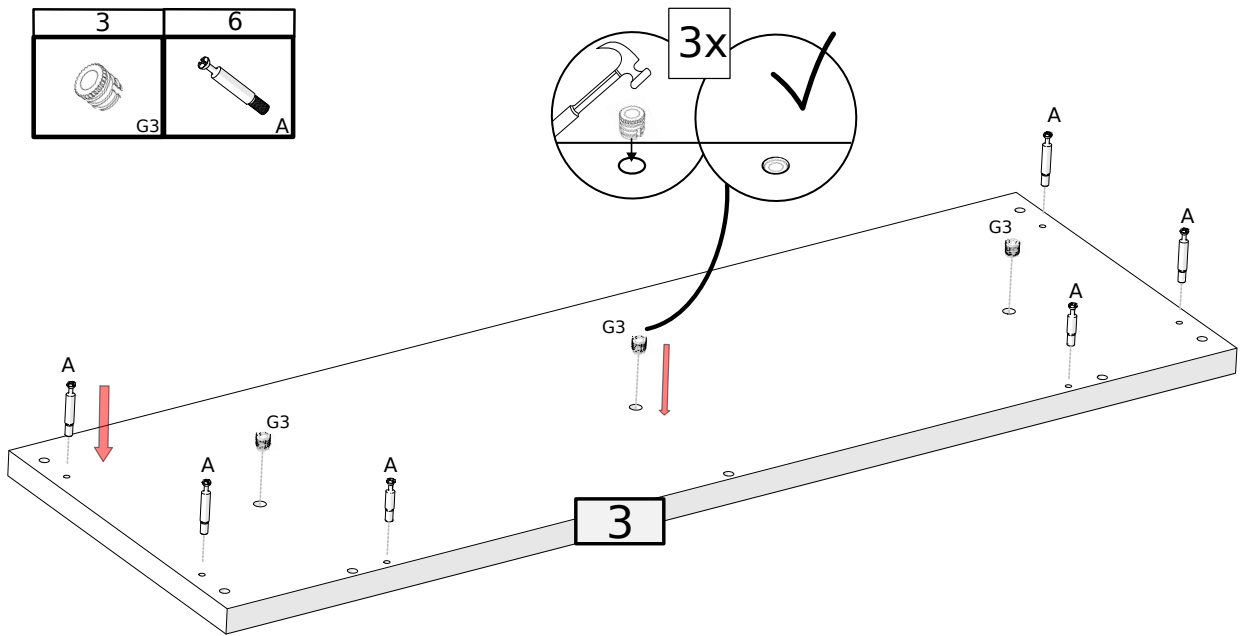
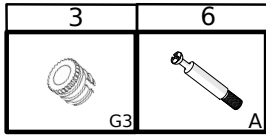
8



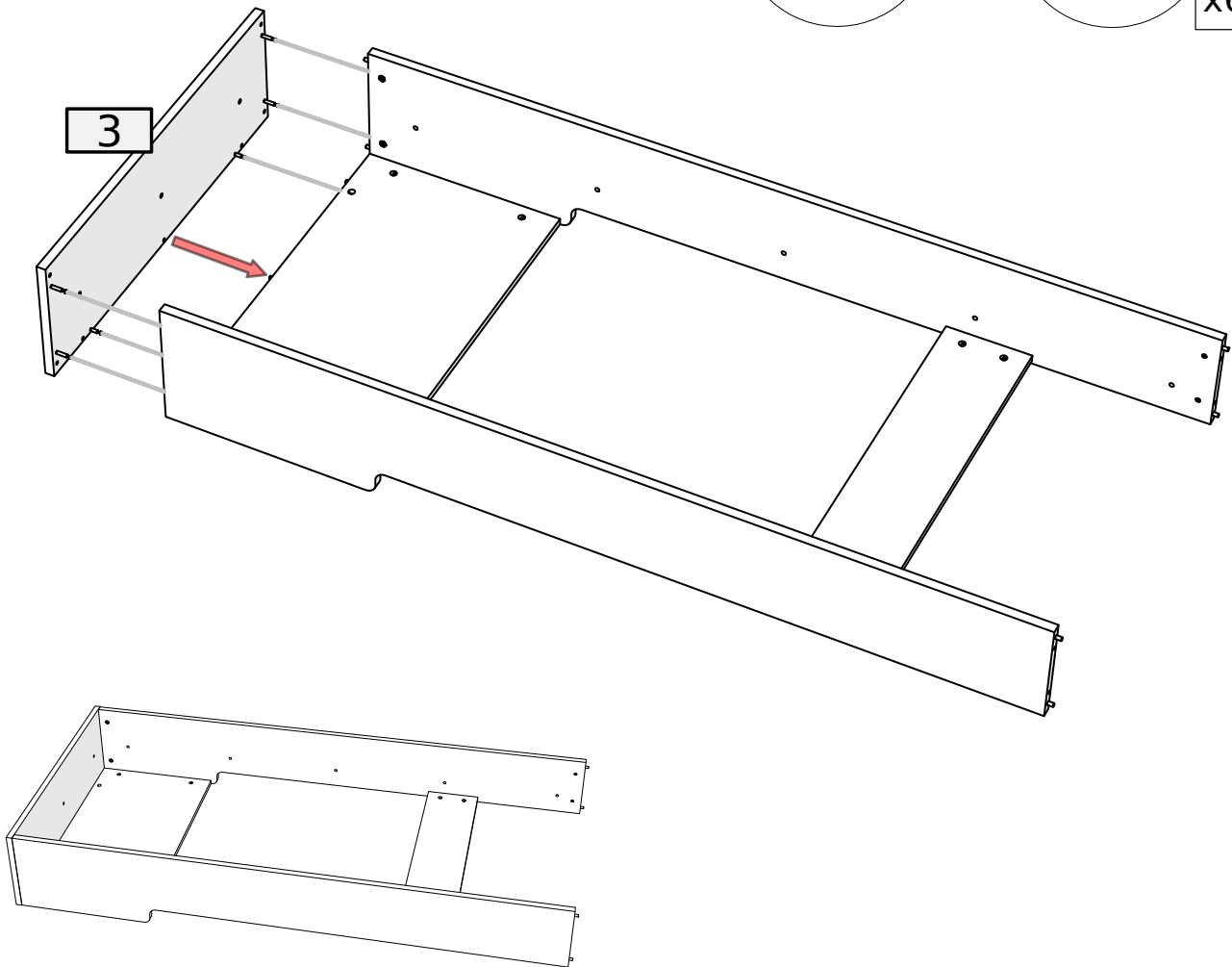
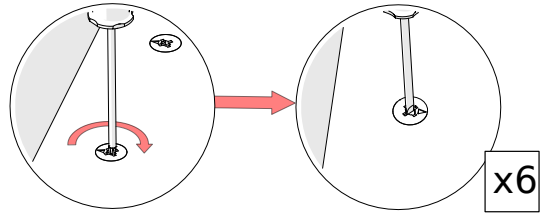
9



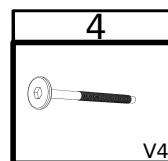
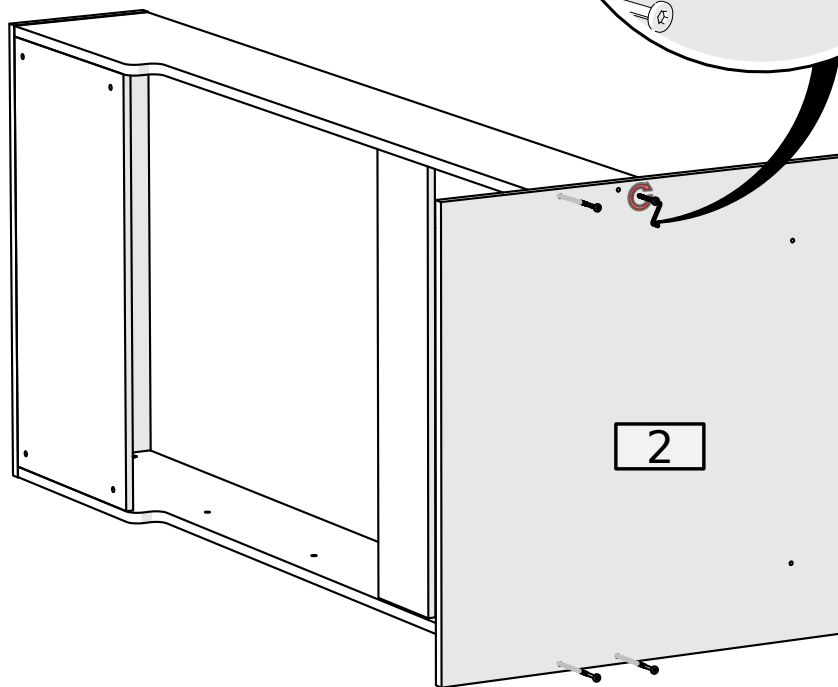
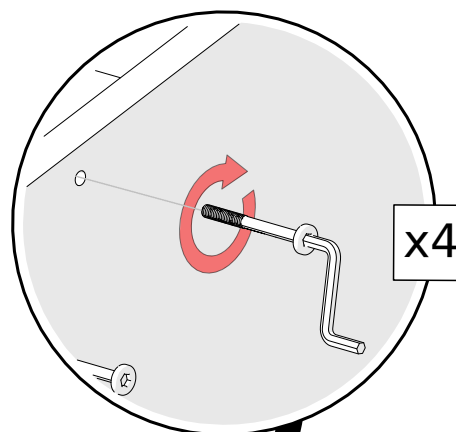
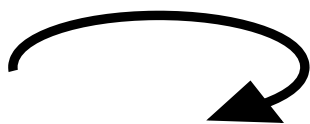
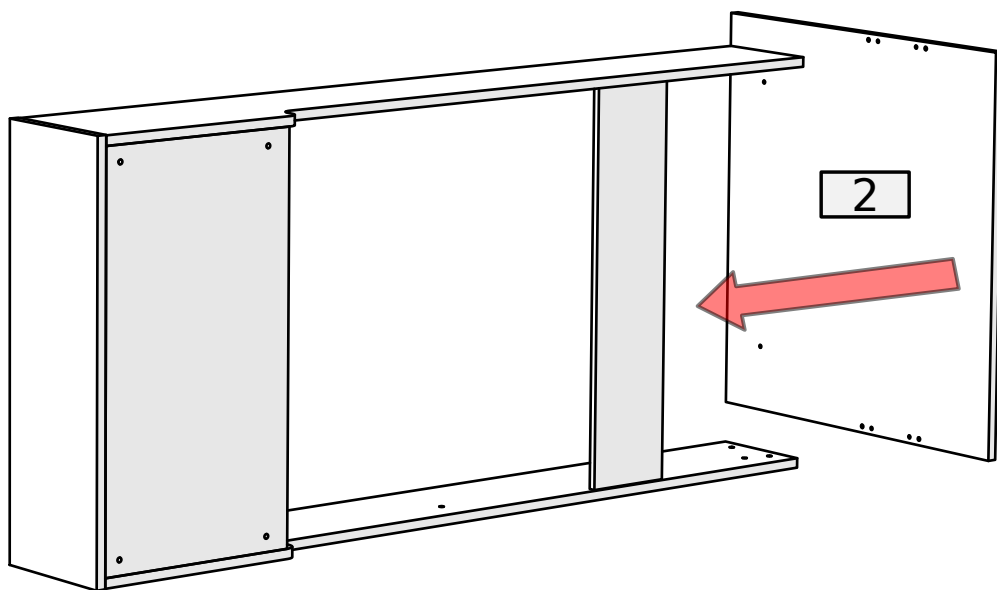
10



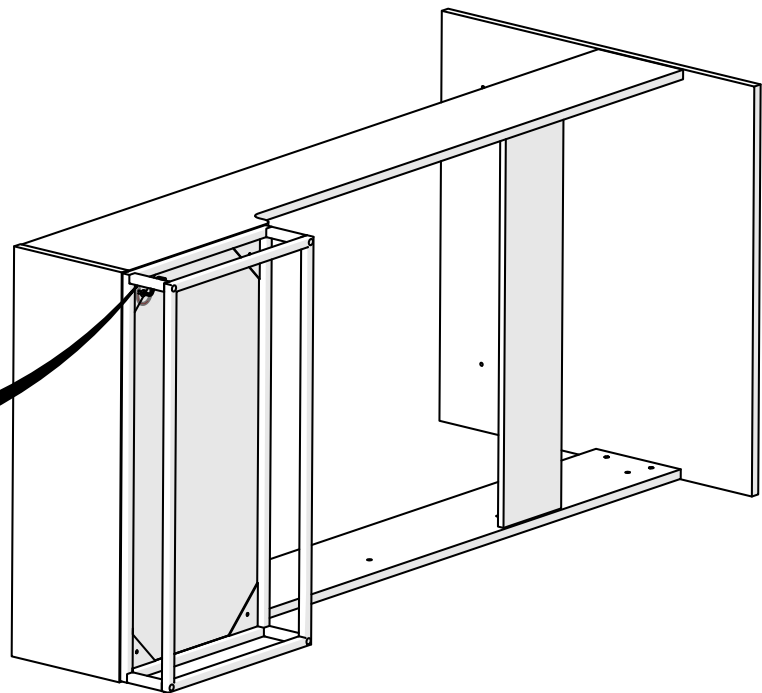
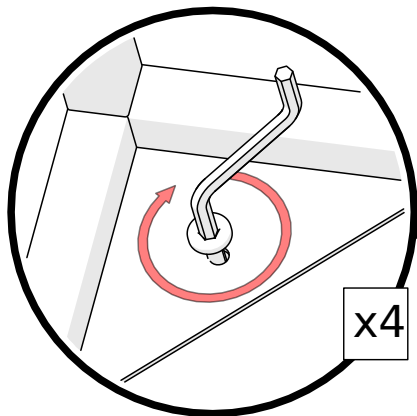
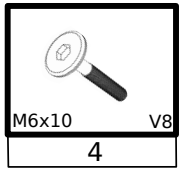
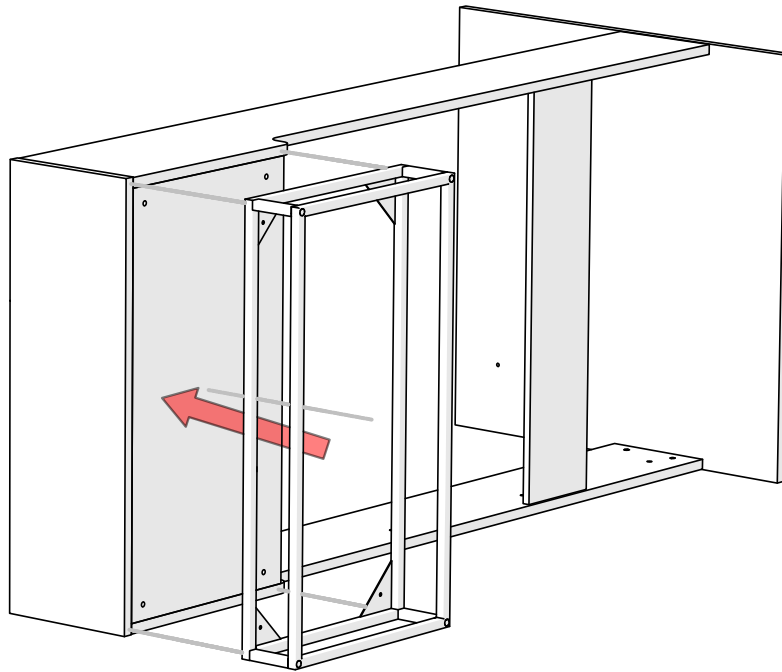
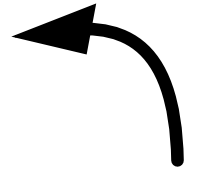
11



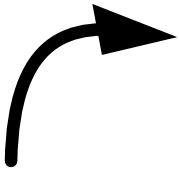
12



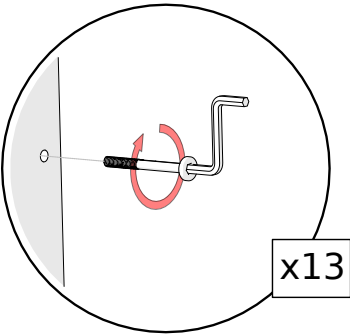
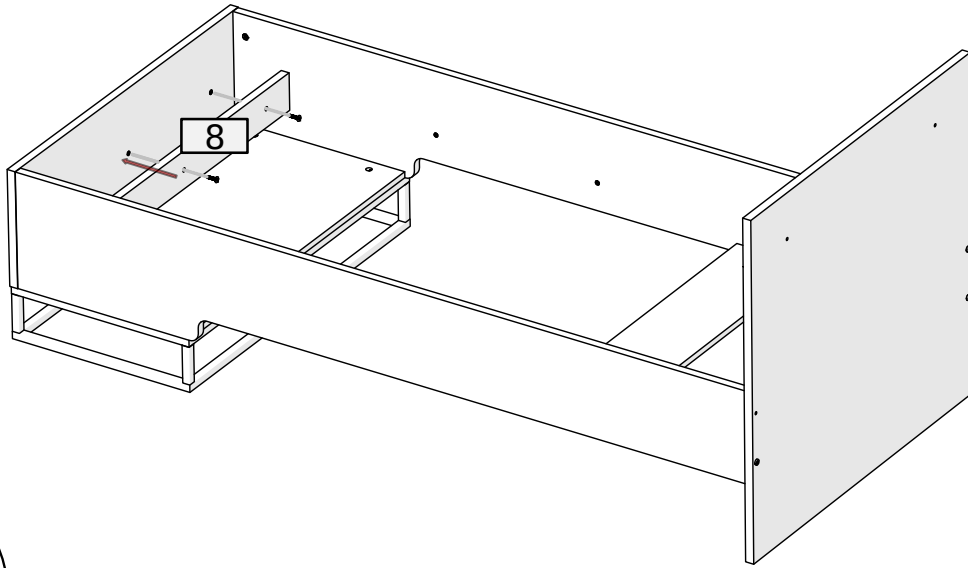
13



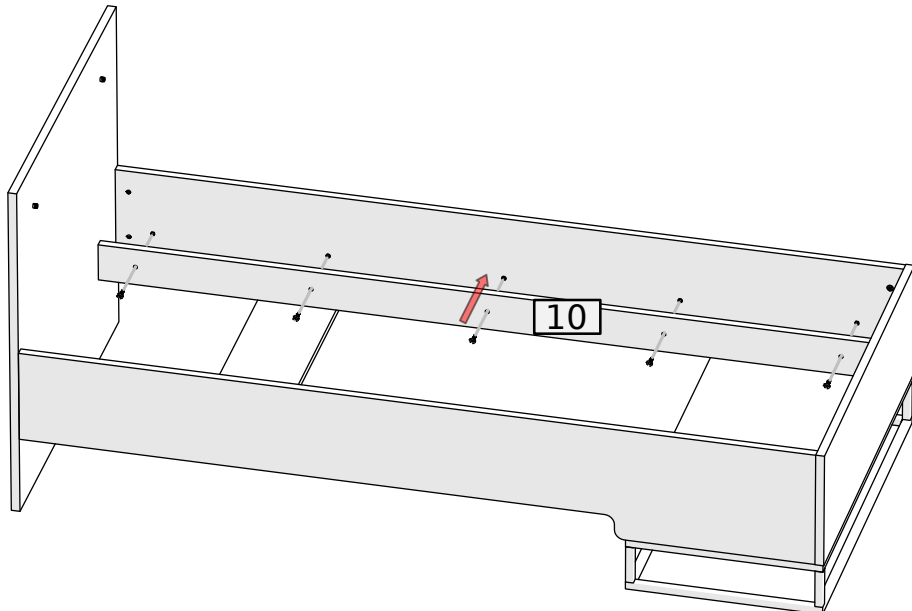
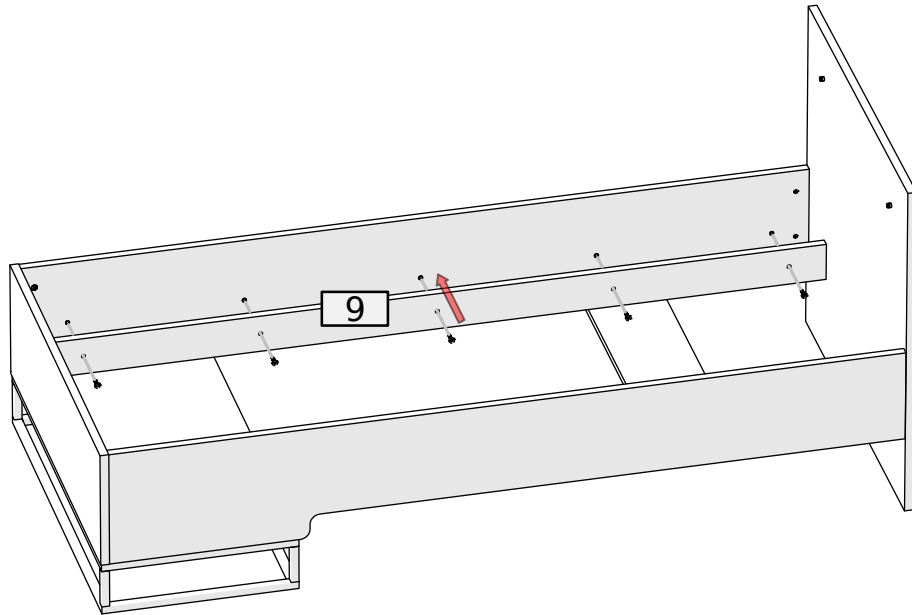
14



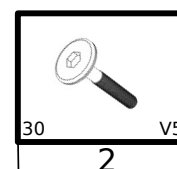
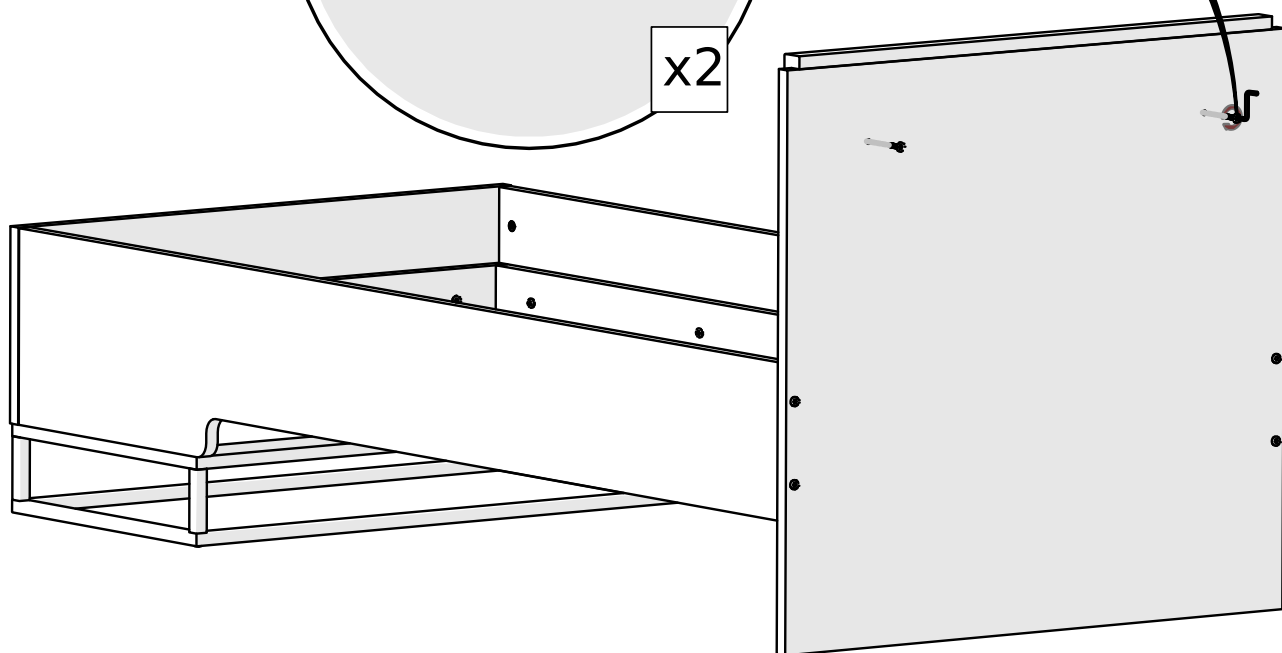
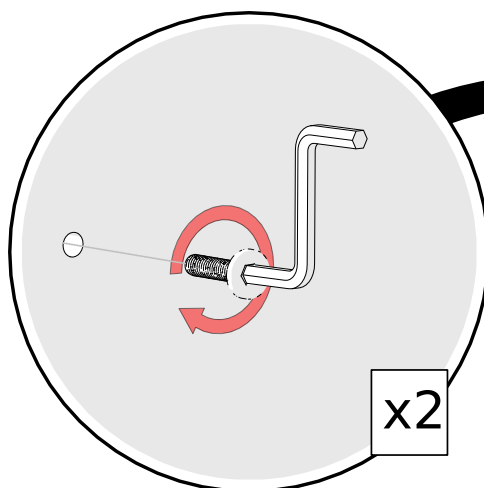
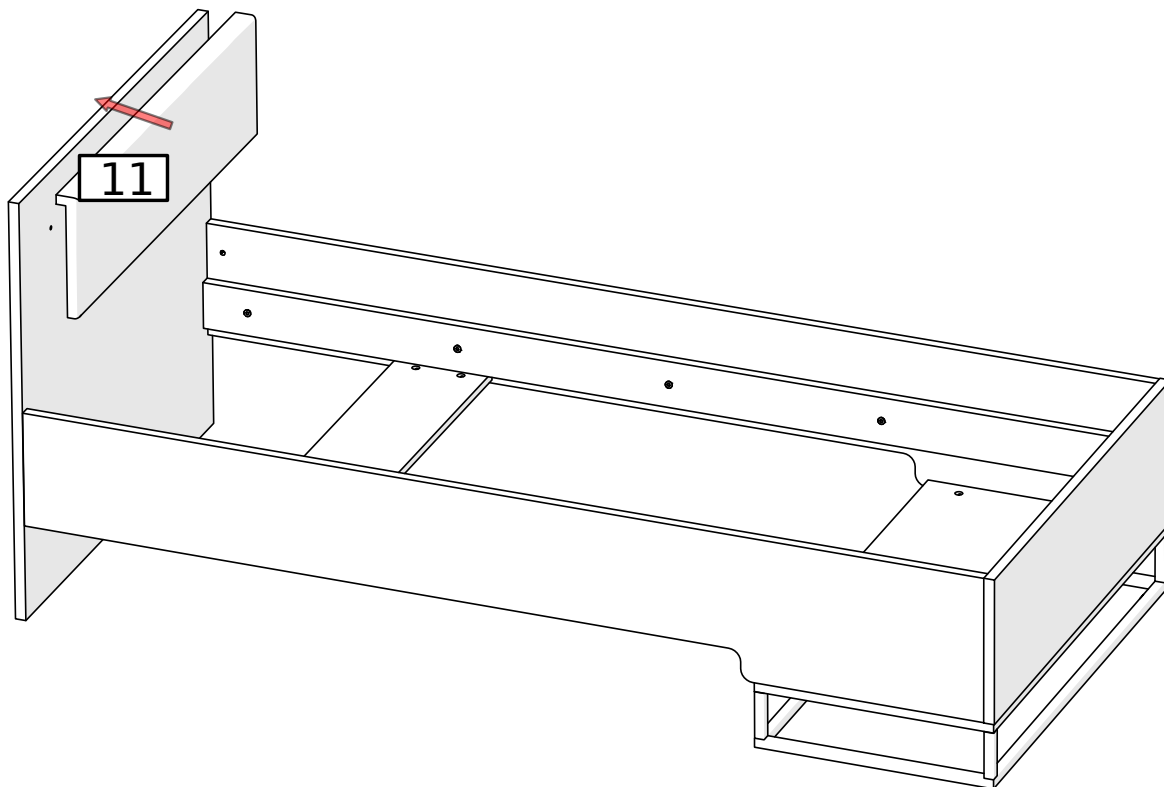
13	
45	V6



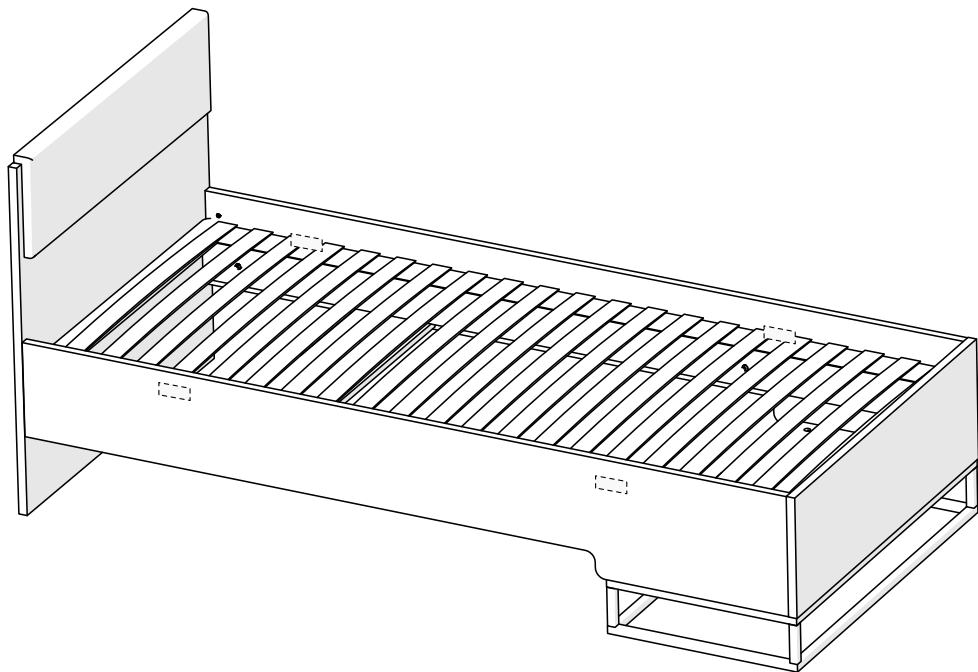
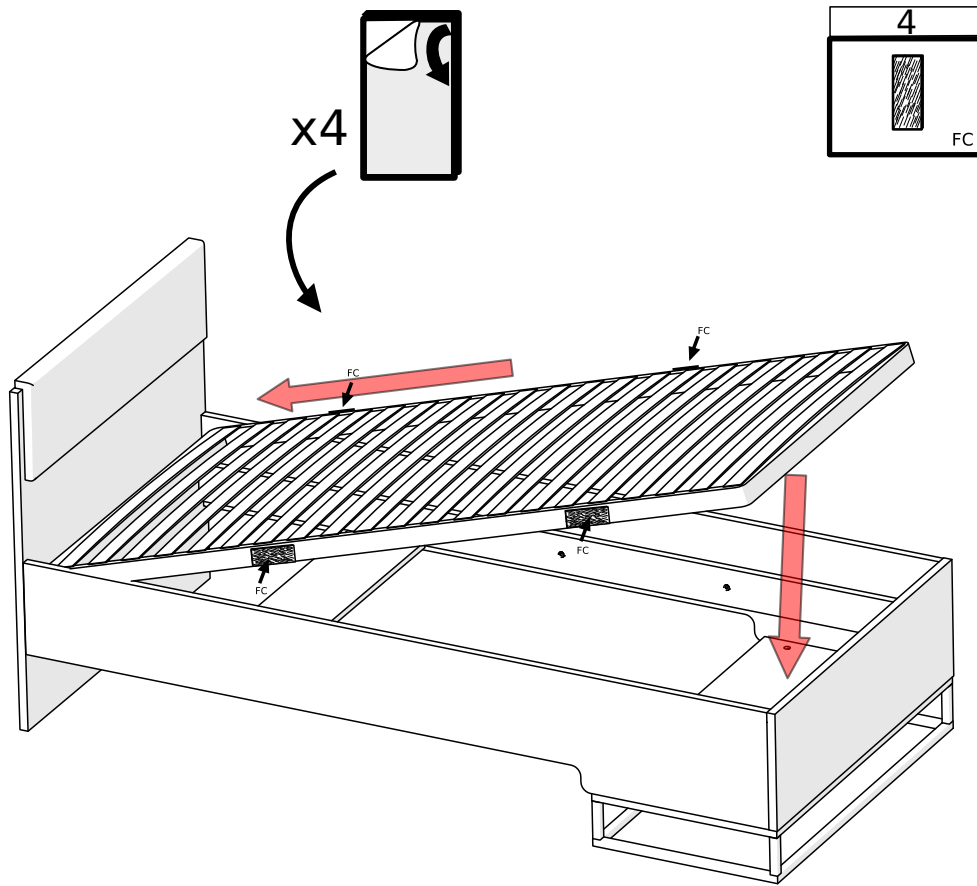
x13



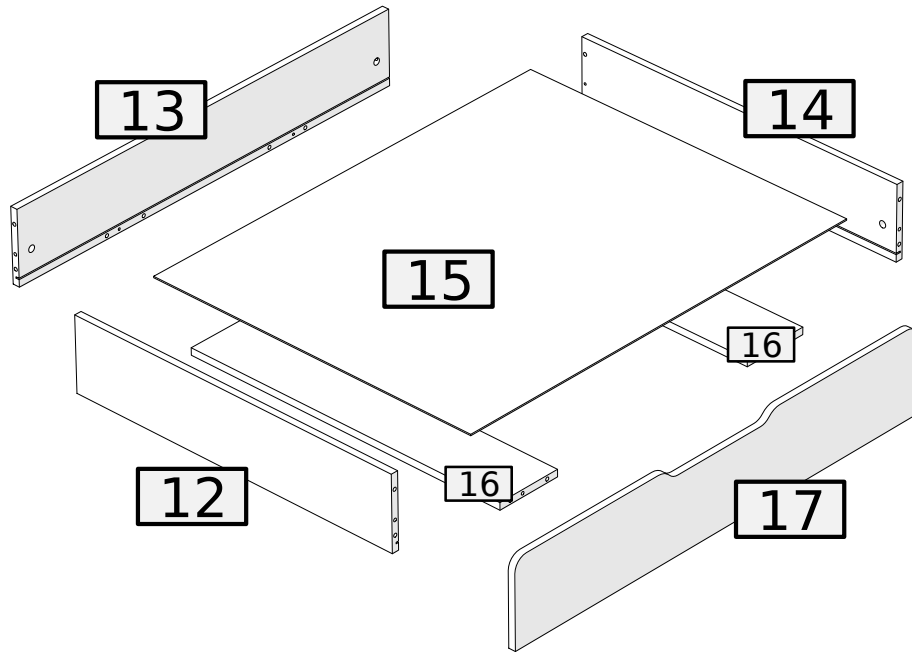
15



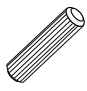


16

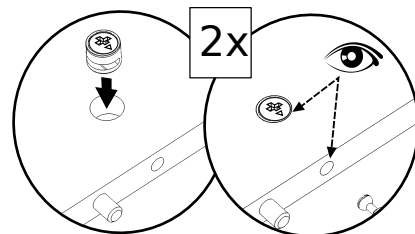
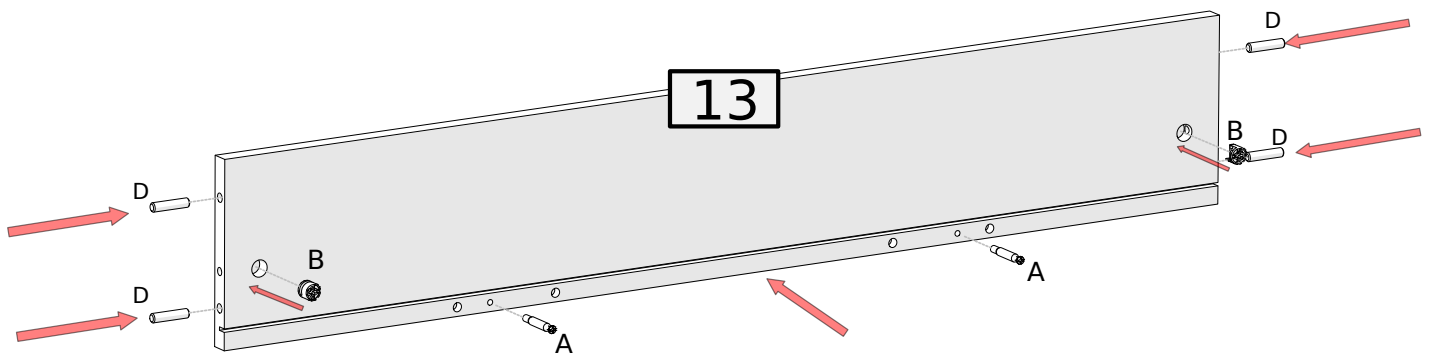


17

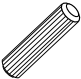




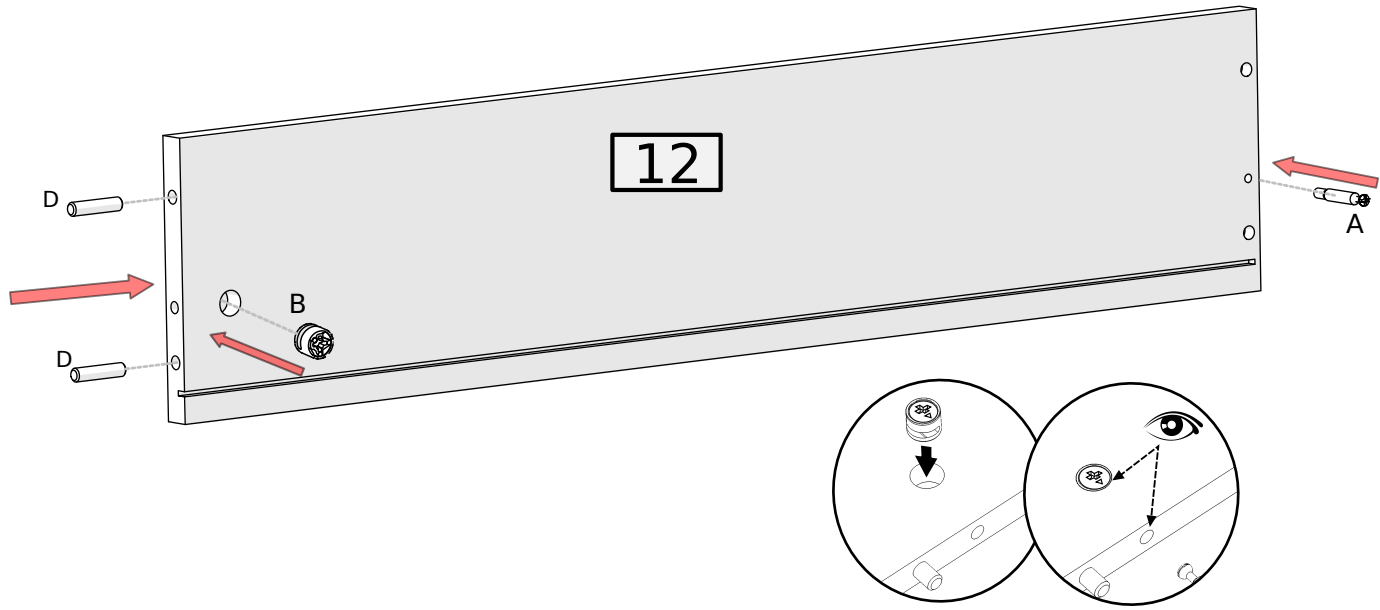
18

4	2	2
		
8.0x35 D	B	A

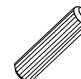




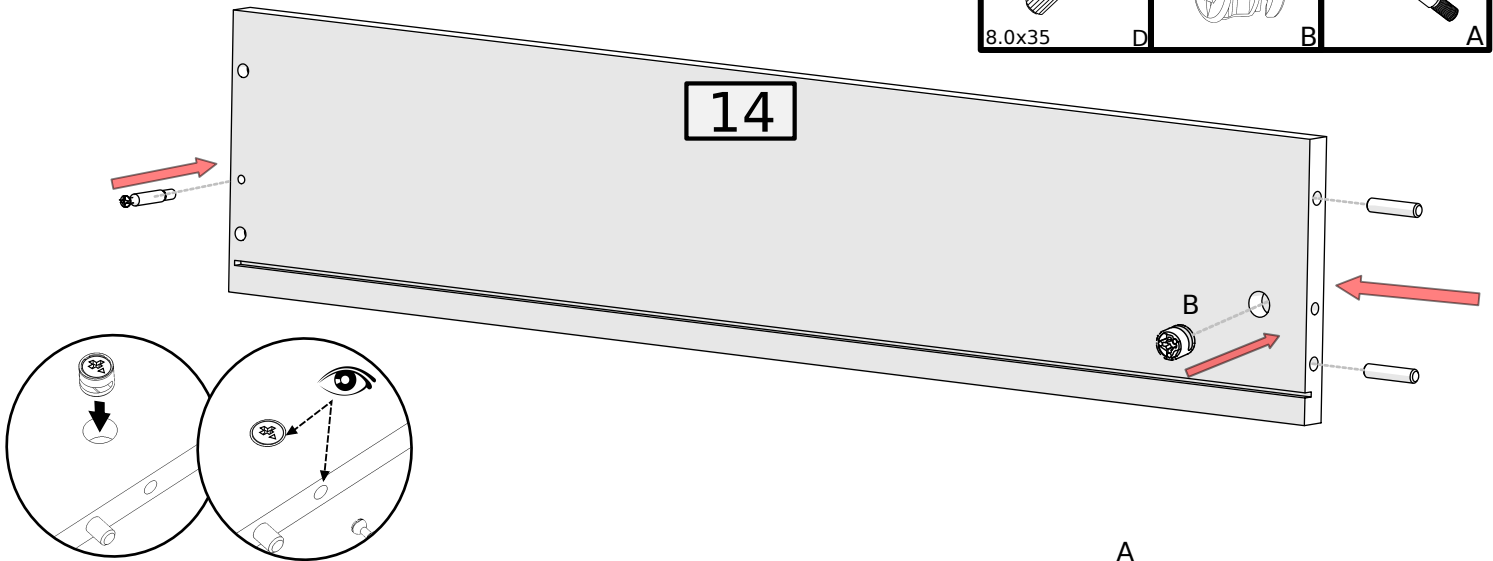
19

2	1	1
		
8.0x35	D	B




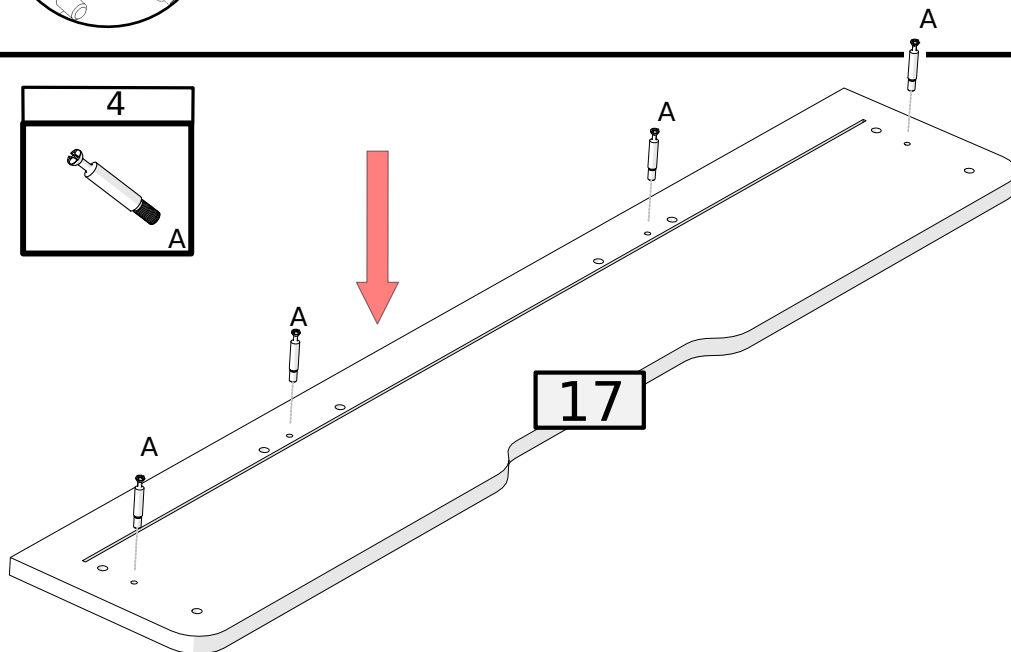
20

2	1	1
		
8.0x35	D	B

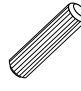
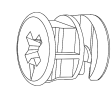


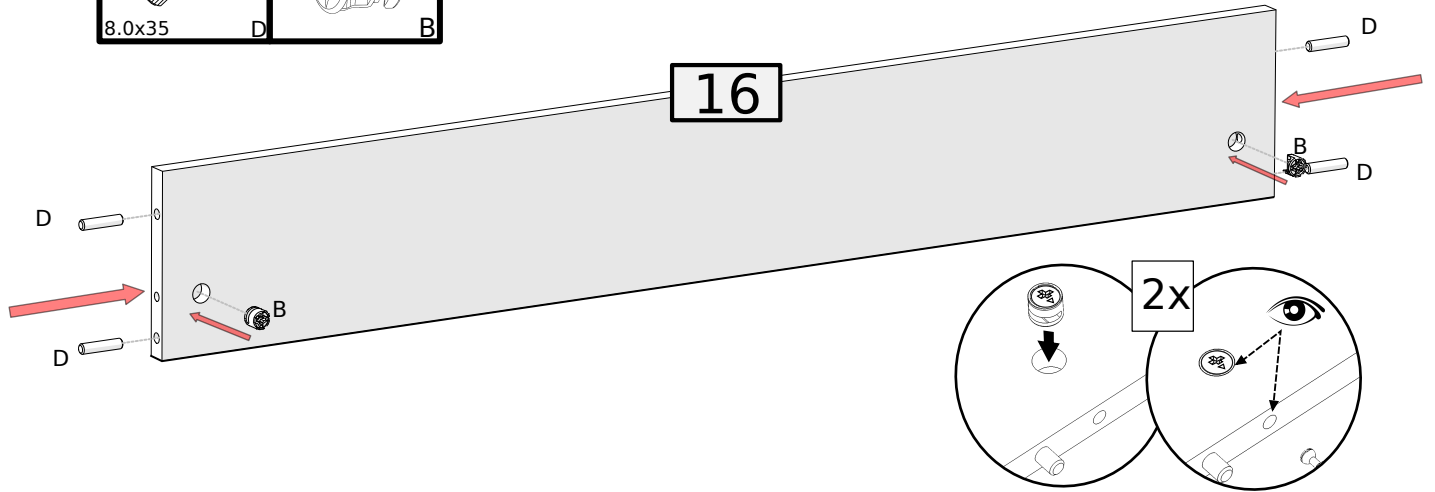
21

4

A

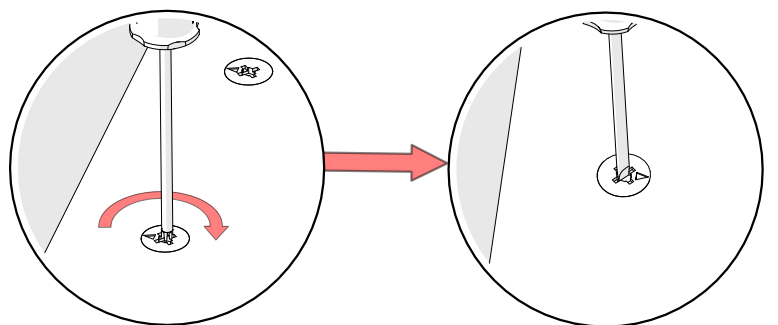
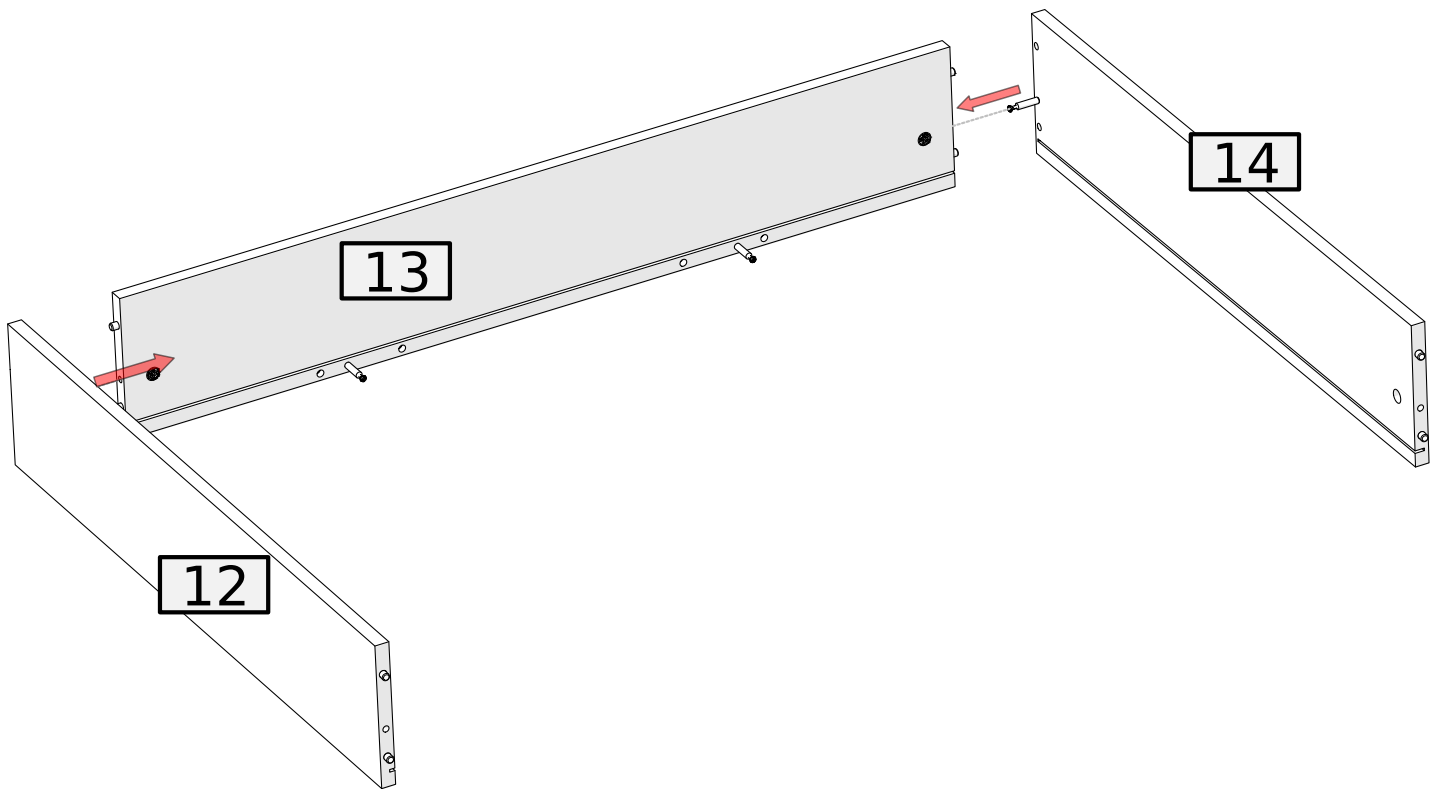


22

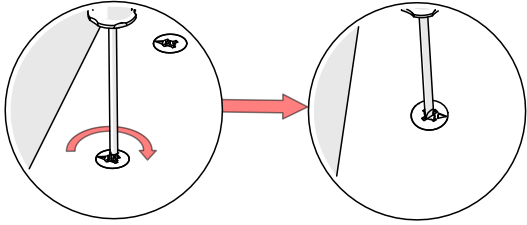
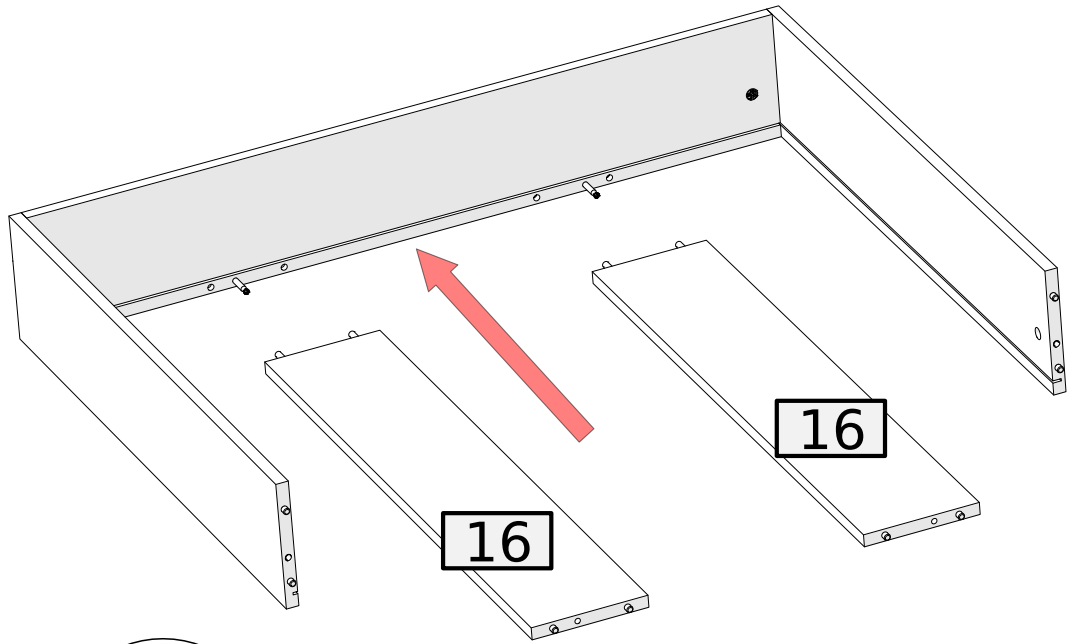
4	2
 8.0x35	 B



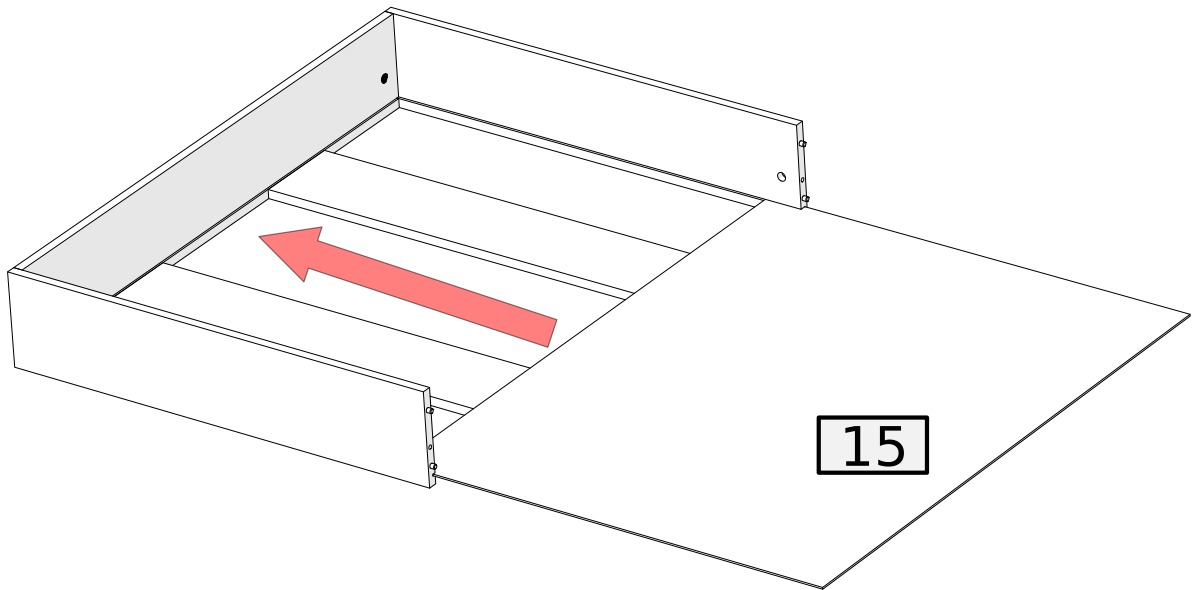
23



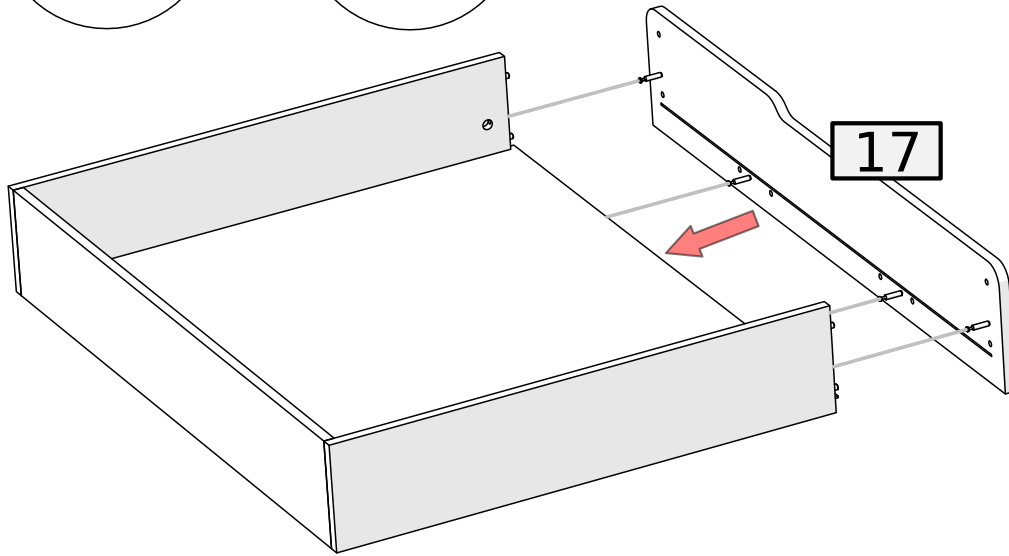
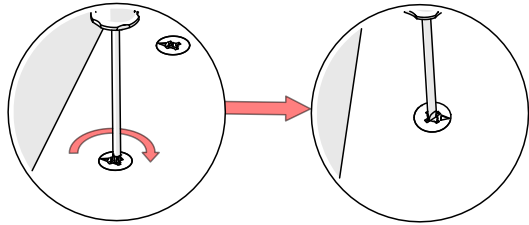
24



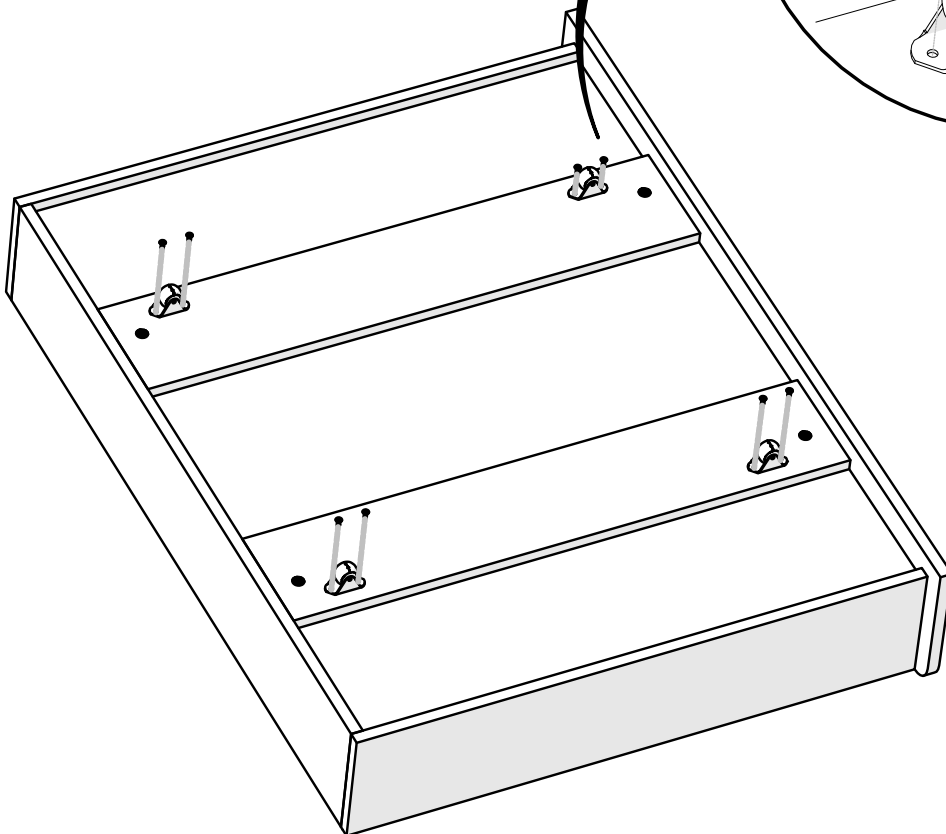
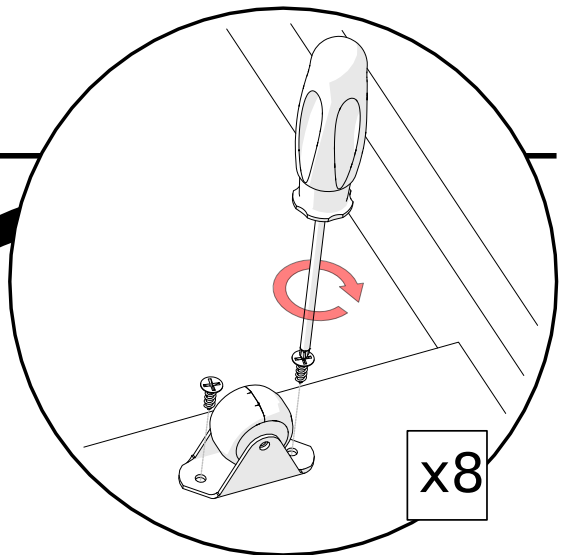
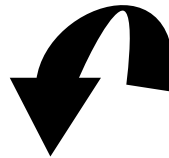
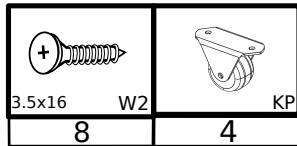
25



26



27



28

