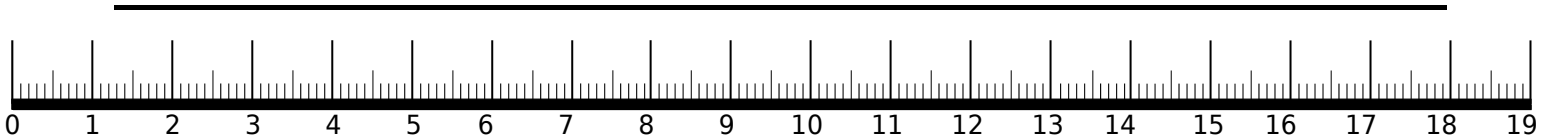
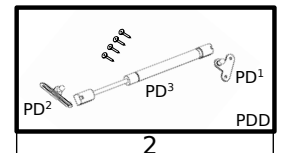
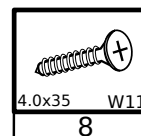
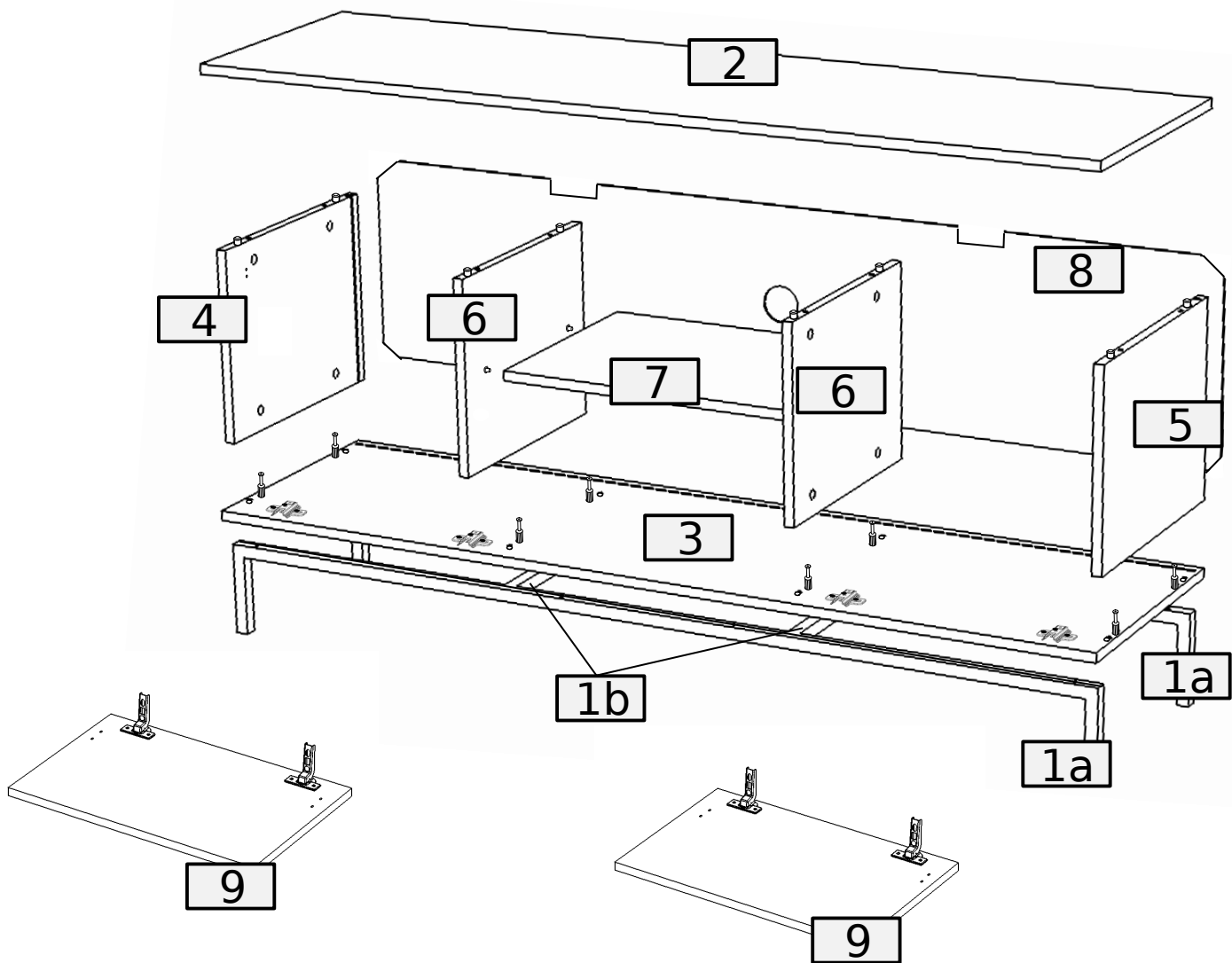
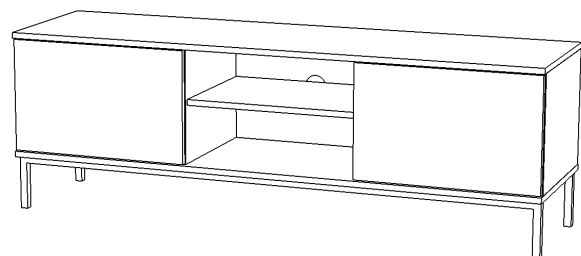


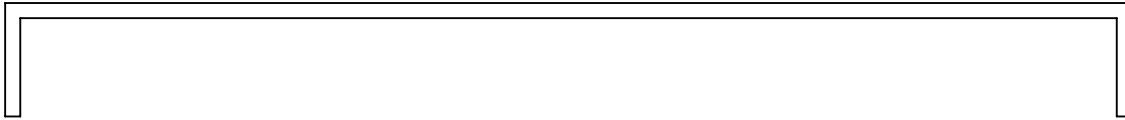
16	16	16	10	4	6	8	8
B	A	8.0x35	D 3.5x16 W2	PZ G	G	I	G4
X	S3	KS	Z	PTS			
16	4	2	4	2			



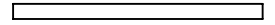


No.	Pcs.	L	W	D	Pac
1a	2	1490	150	20	1/1
1b	2	330	20	20	1/1
2	1	1500	410	16	1/1
3	1	1500	410	16	1/1
4	1	390	318	16	1/1
5	1	390	318	16	1/1
6	2	370	318	16	1/1
7	1	481	360	16	1/1
8	1	1482	333	3	1/1
9	2	504	312	16	1/1

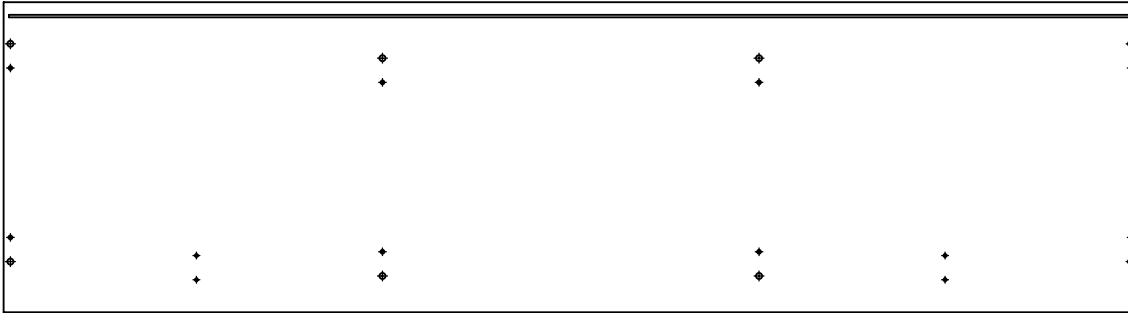




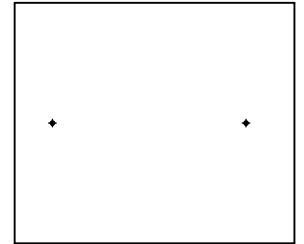
1a. 1490x150x20 mm x2



1b. 330x20x20 mm x2



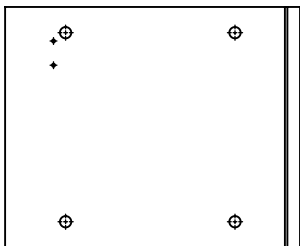
2. 1500x410x16 mm



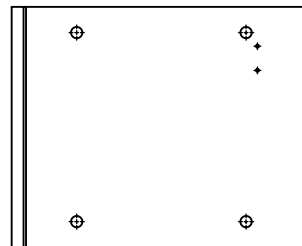
6. 370x318x16 mm x2



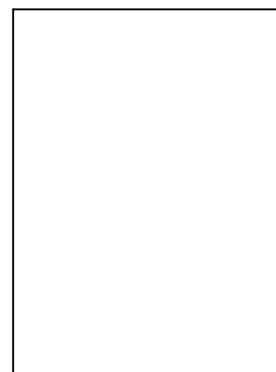
3. 1500x410x16 mm



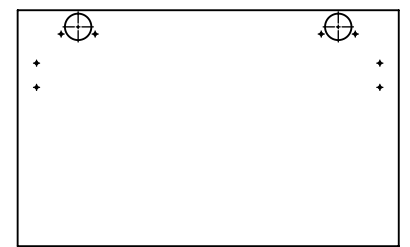
4. 390x318x16 mm



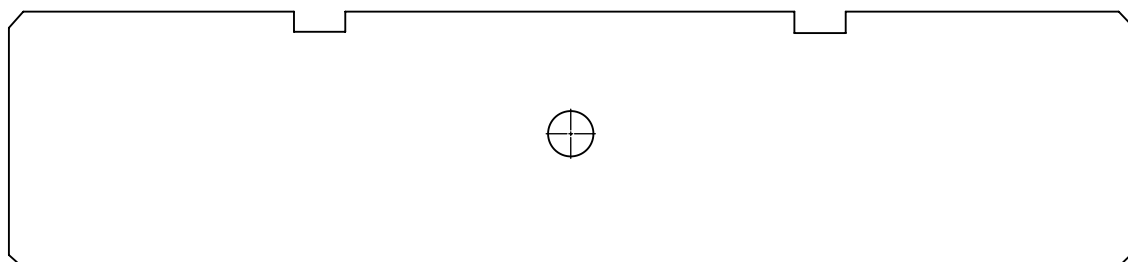
5. 390x318x16 mm



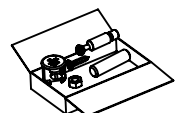
7. 481x360x16 mm



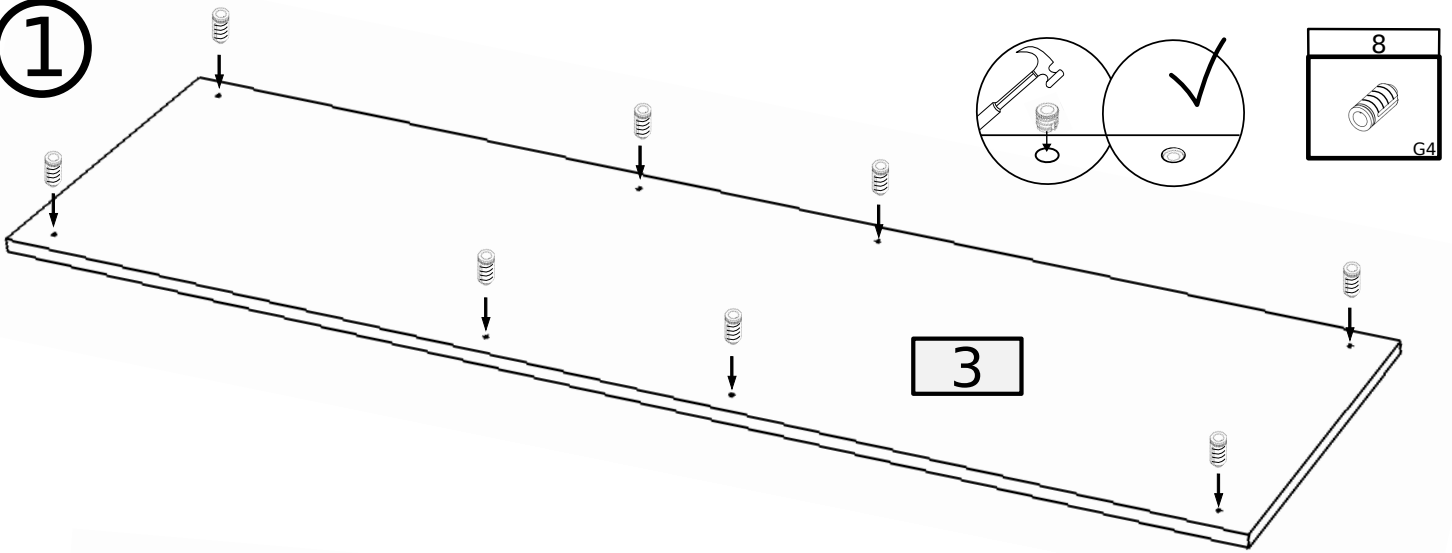
9. 504x312x16 mm x2



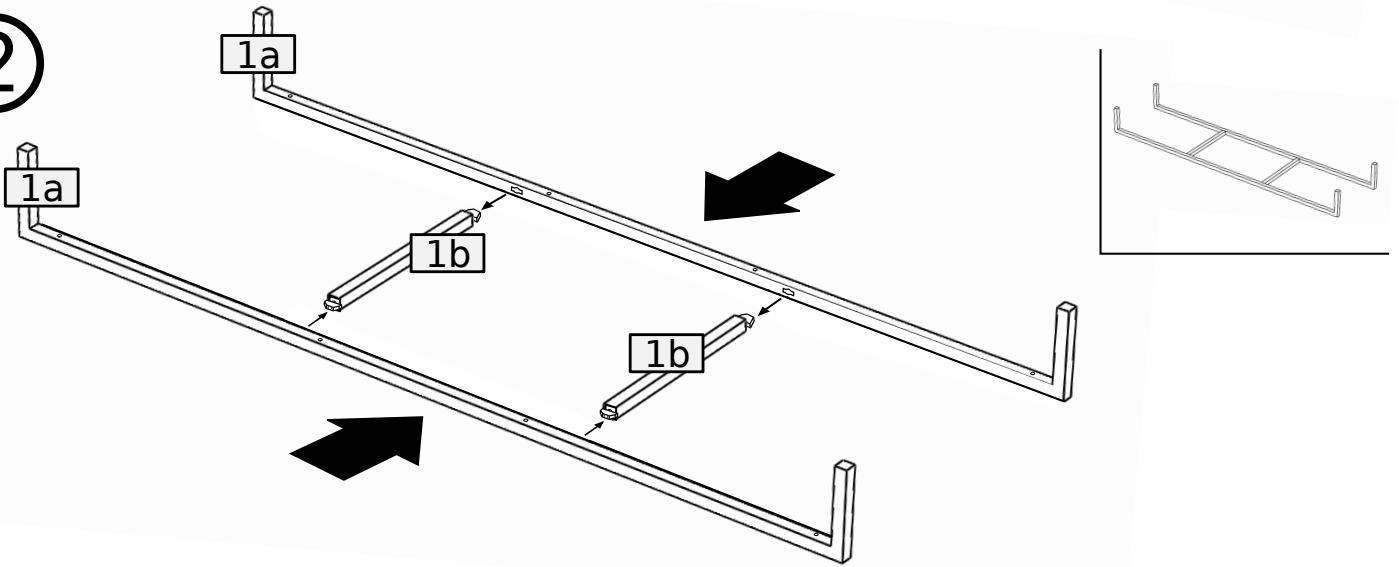
8. 1482x333x3 mm



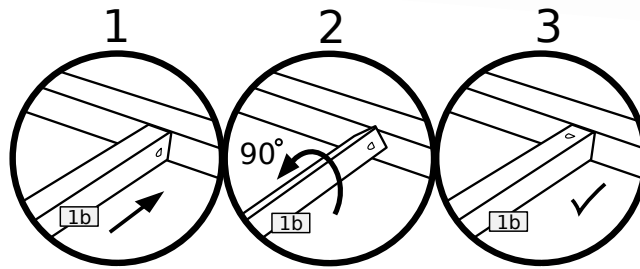
1



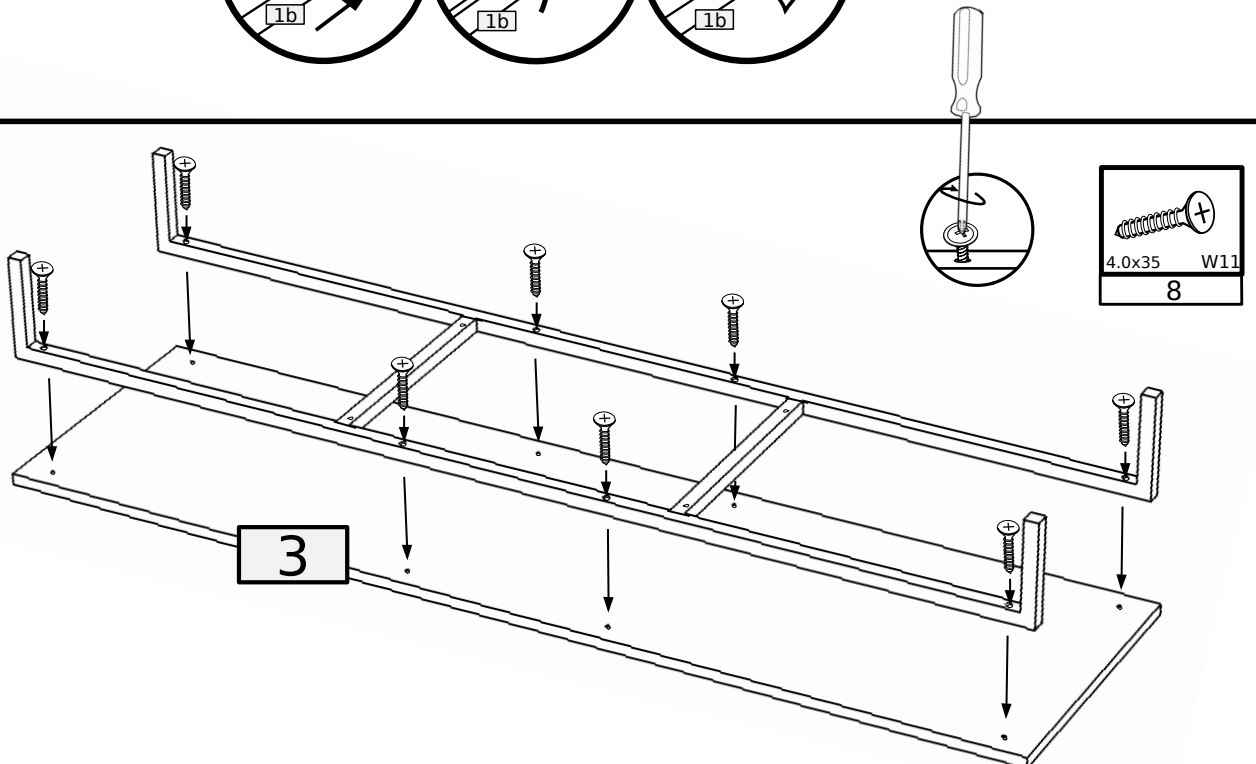
2



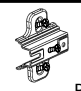
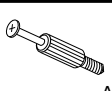
3

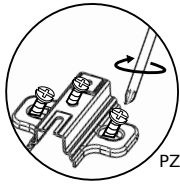
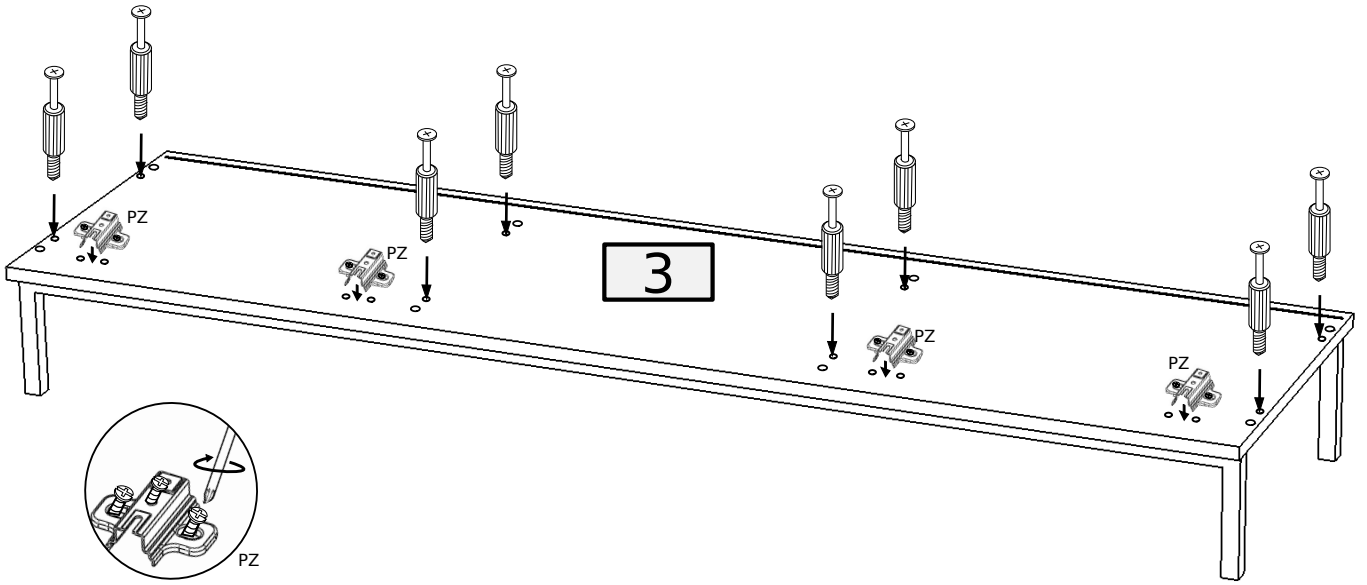


4

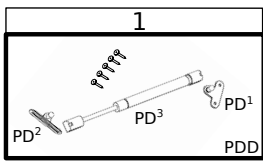




5

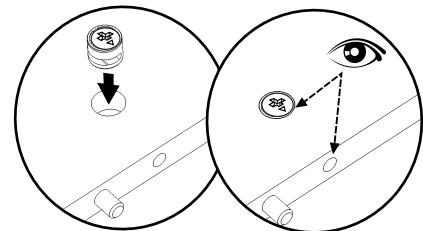
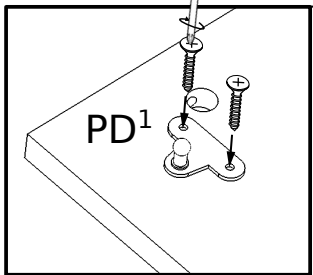
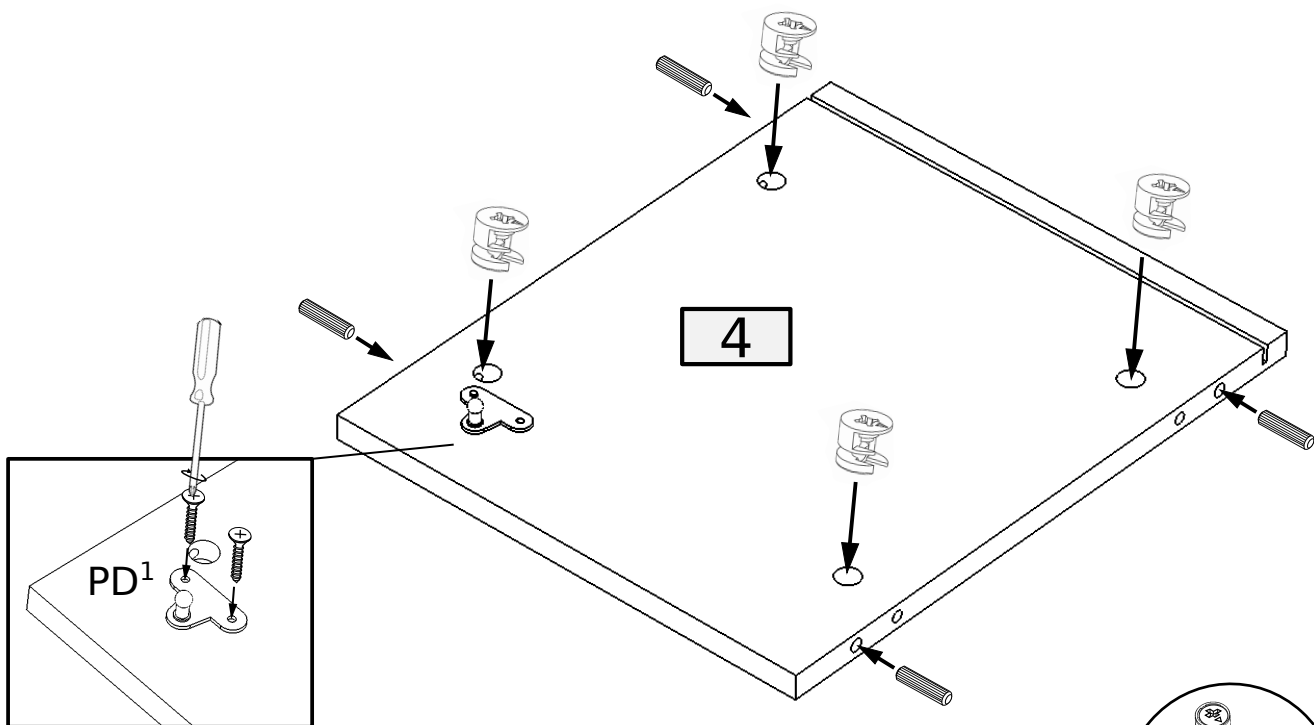
4	8
	
PZ	A





6

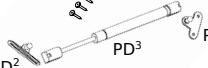


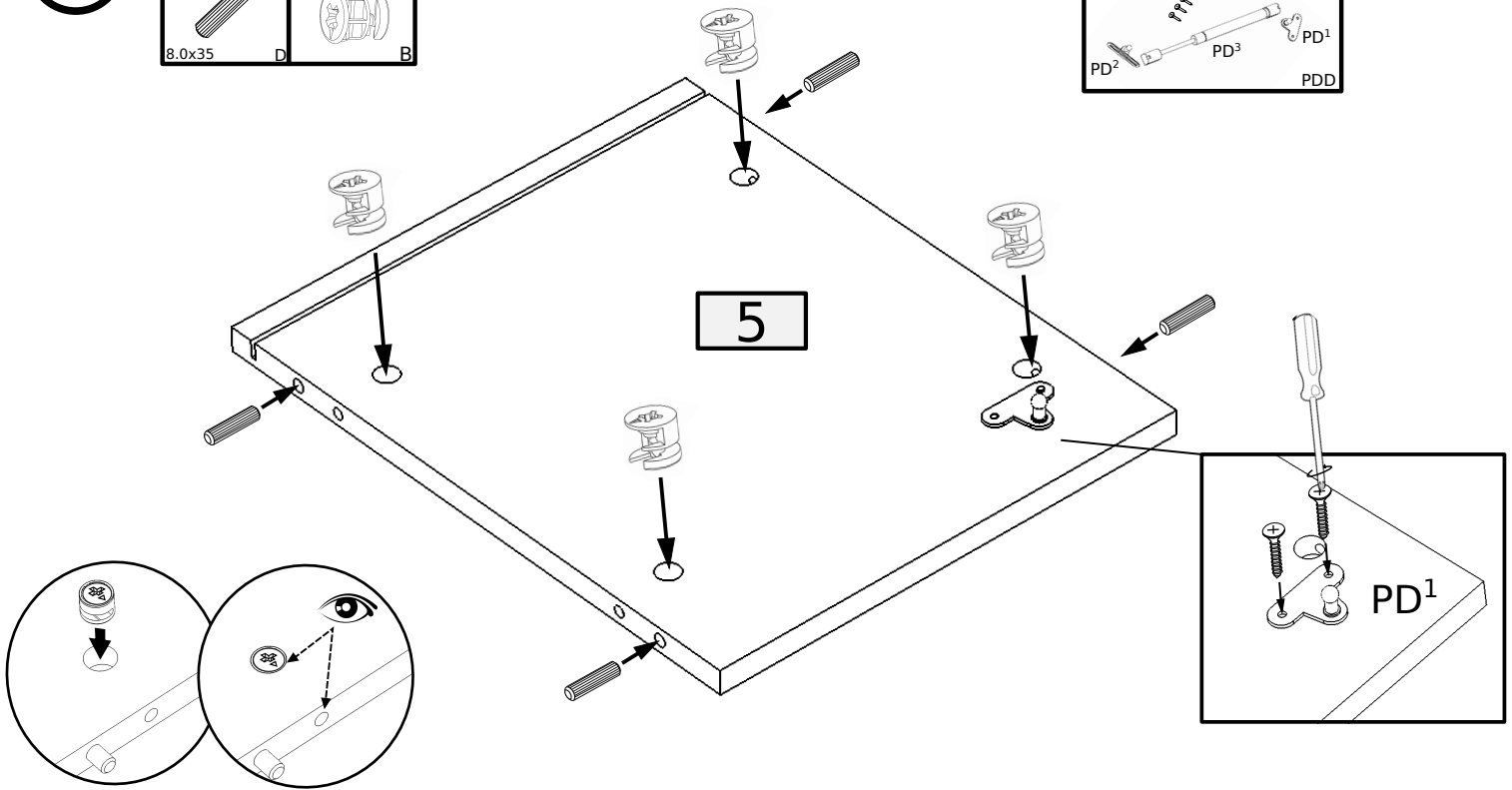
4	4
	
8.0x35 D	B



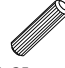


7

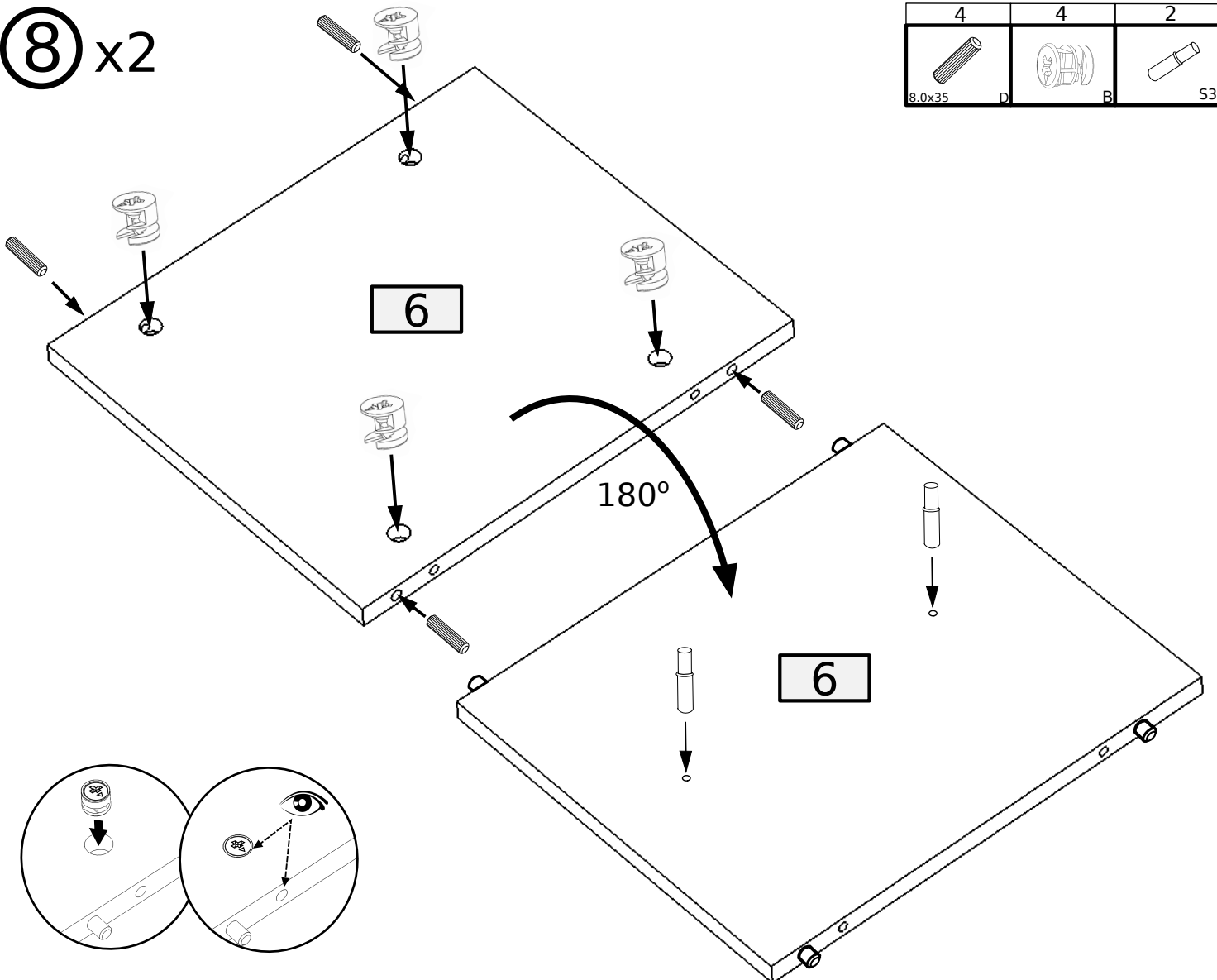
4	4
	
8.0x35	D
	B

1

PD ² PD ³ PD ¹
PDD


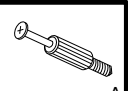


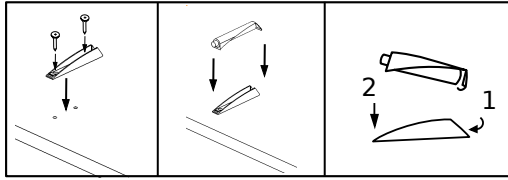
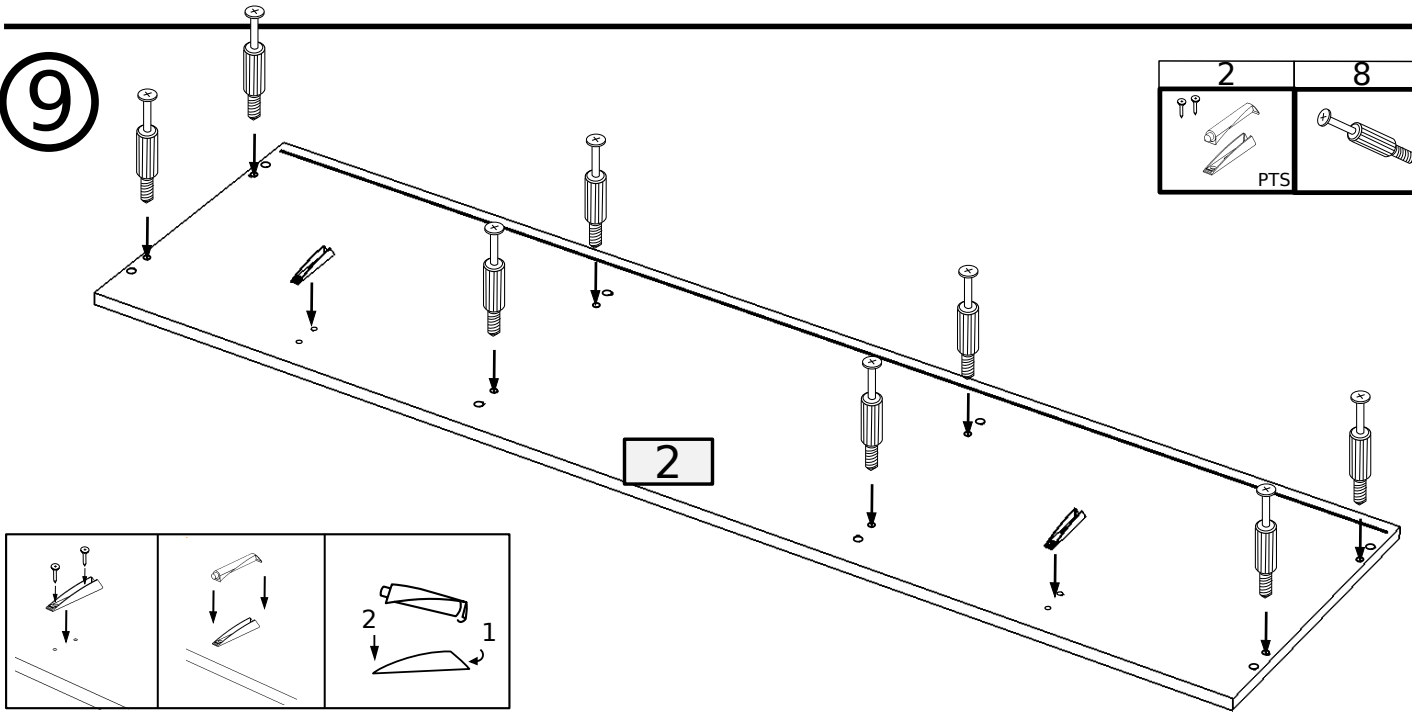
8 x2

4	4	2
		
8.0x35	D	B
		S3

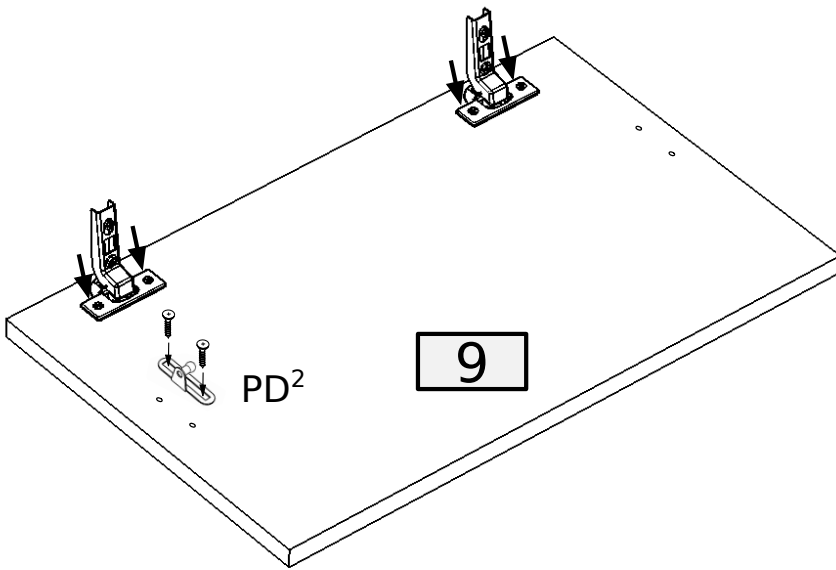
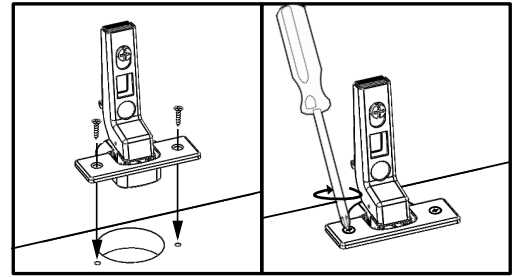



9



2	8
	
PTS	A

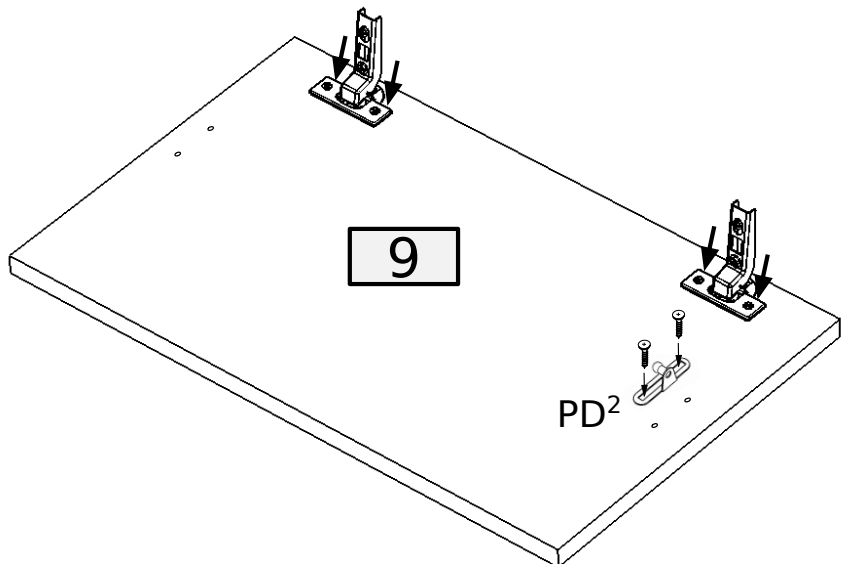


10

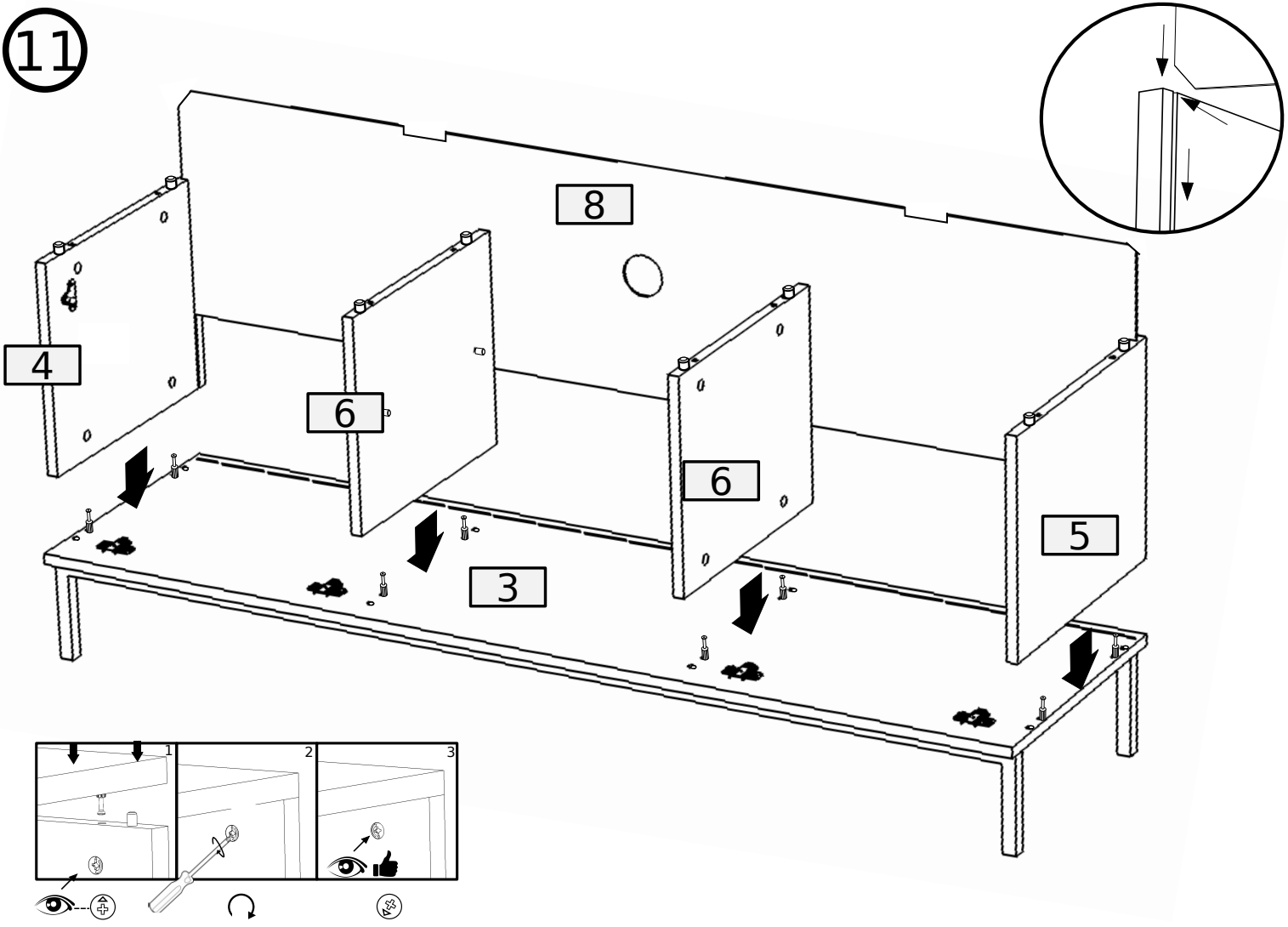


2

PD² PD³ PD¹ PD

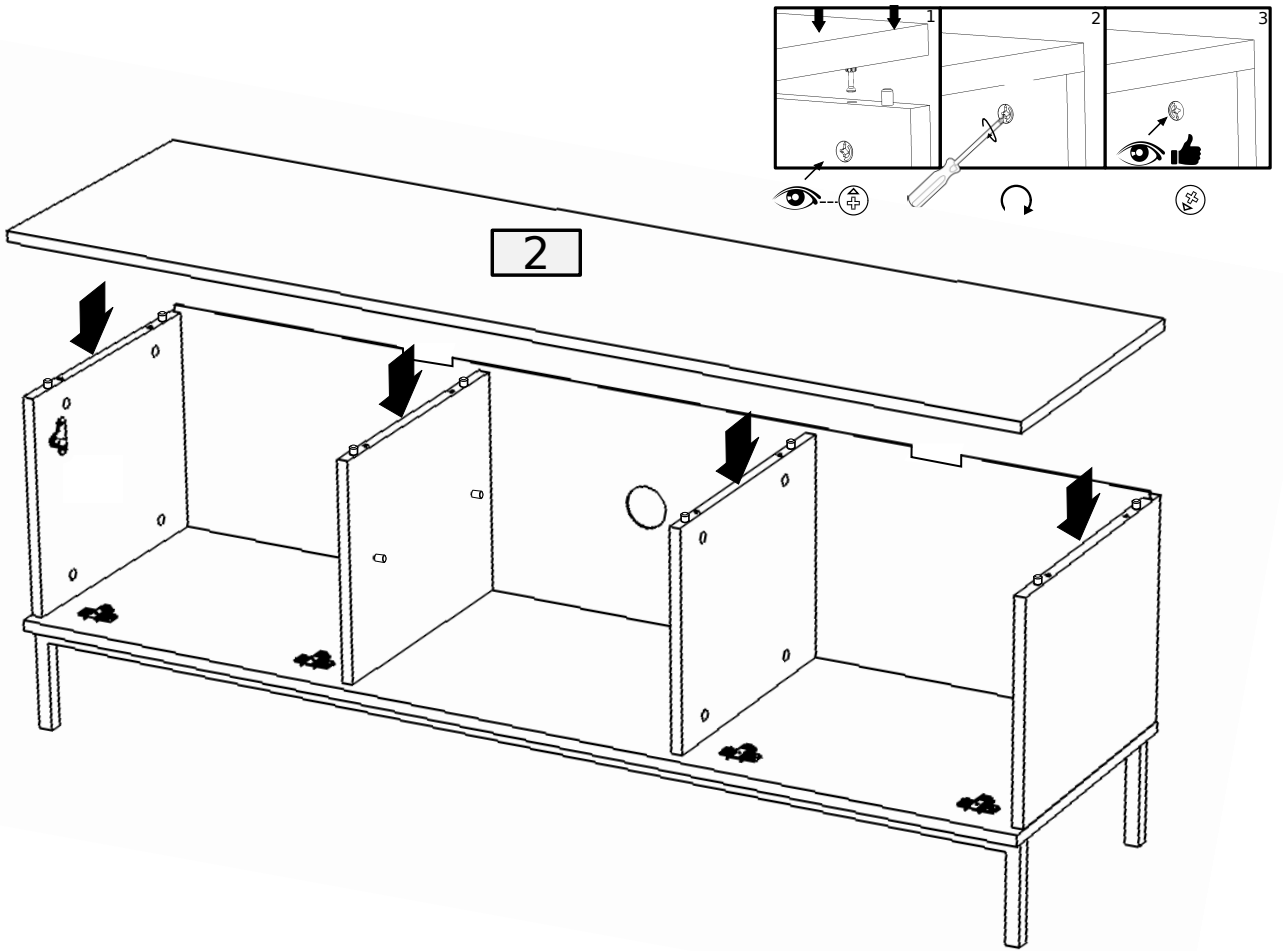
	
3.5x16	W2
8	4
	Z



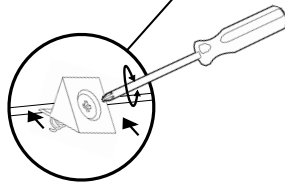
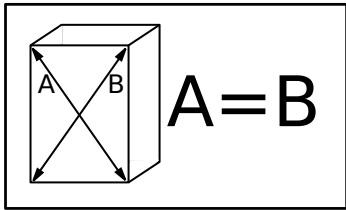
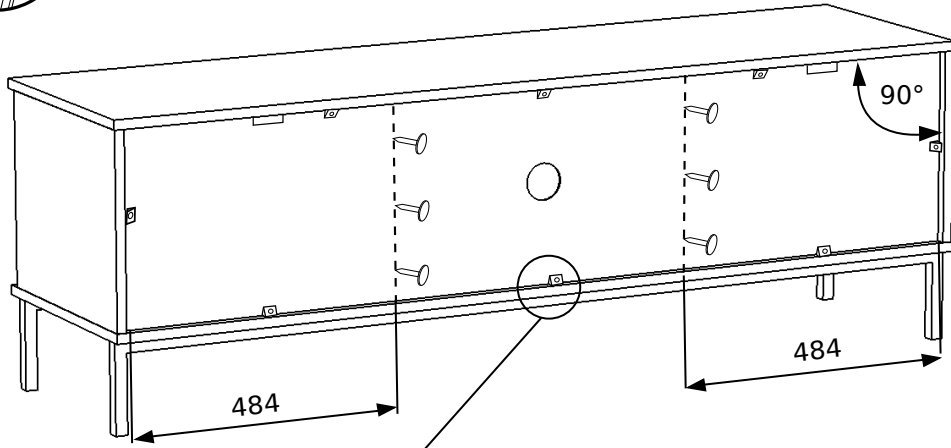
11



12

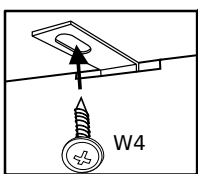
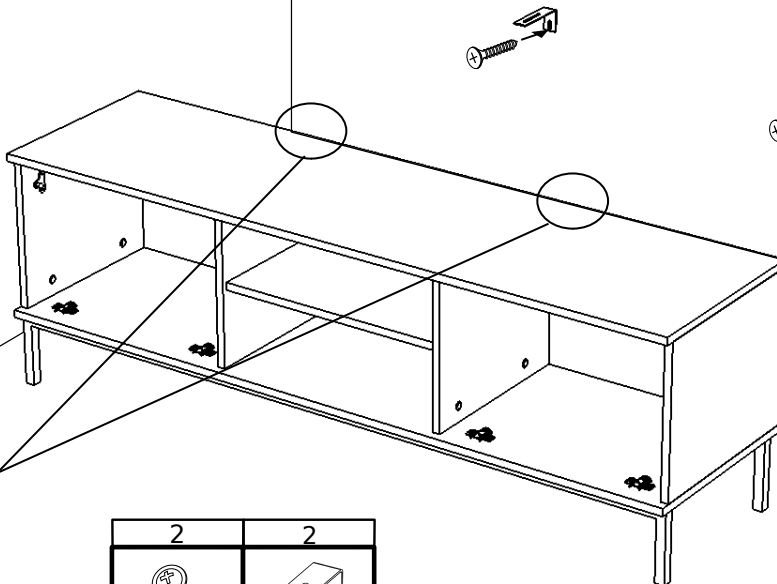
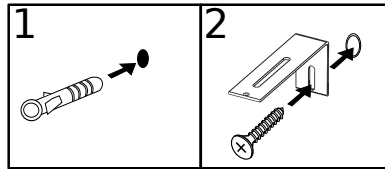
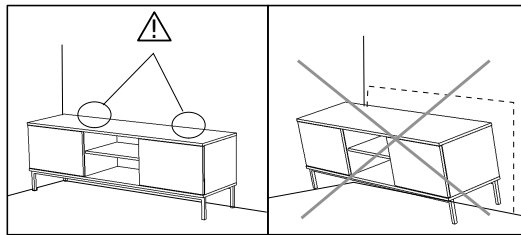


13



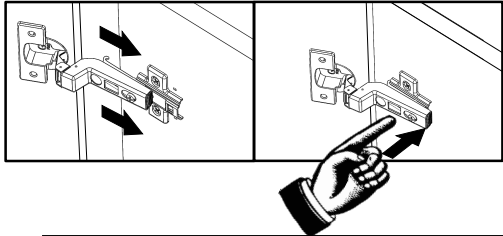
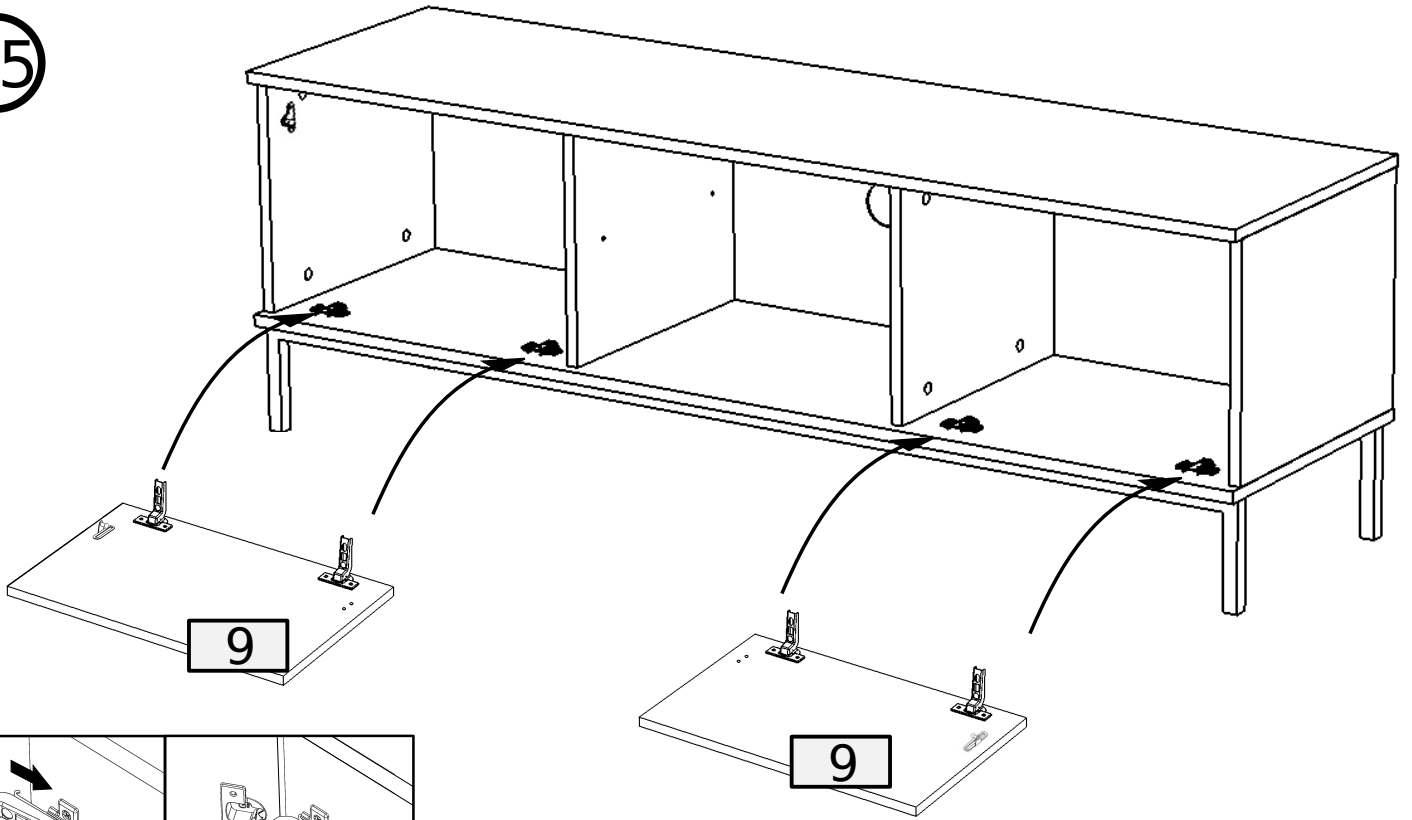
6	8
G	I

14

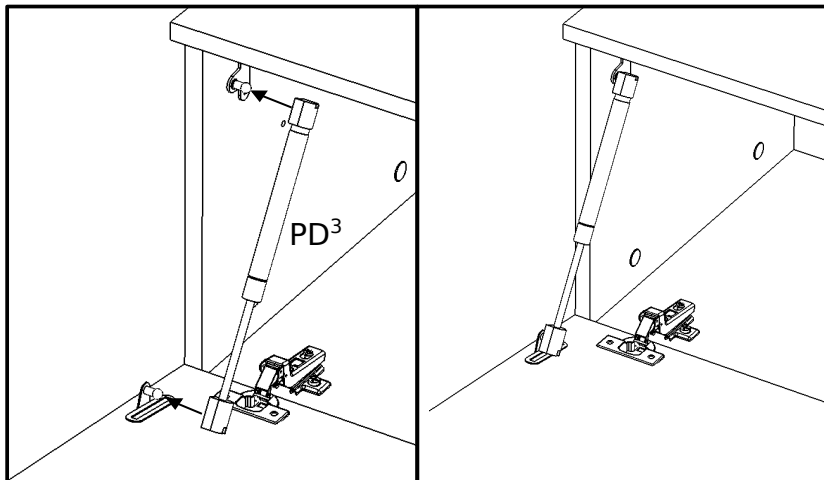
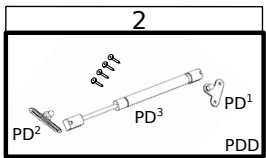
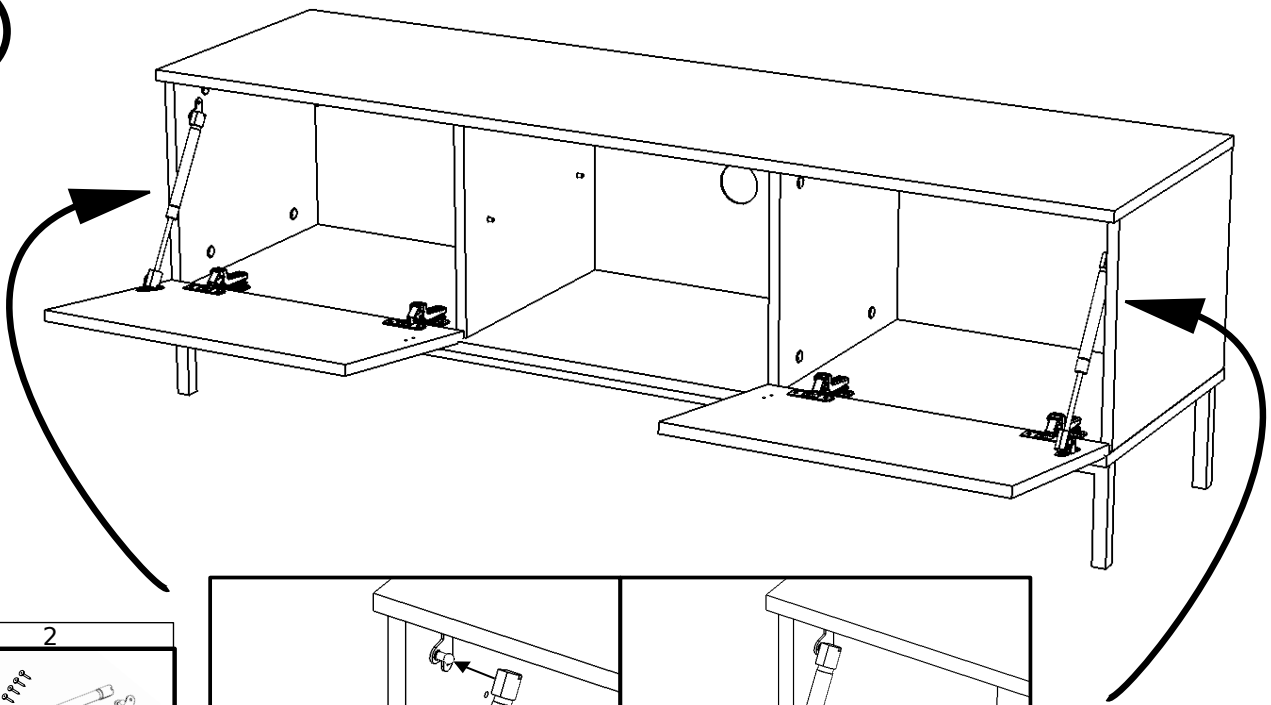


2	2
3.5x16 W4	KS

15



16



17

